

shindaiwa[®]

PARTS CATALOG

BRUSHCUTTER

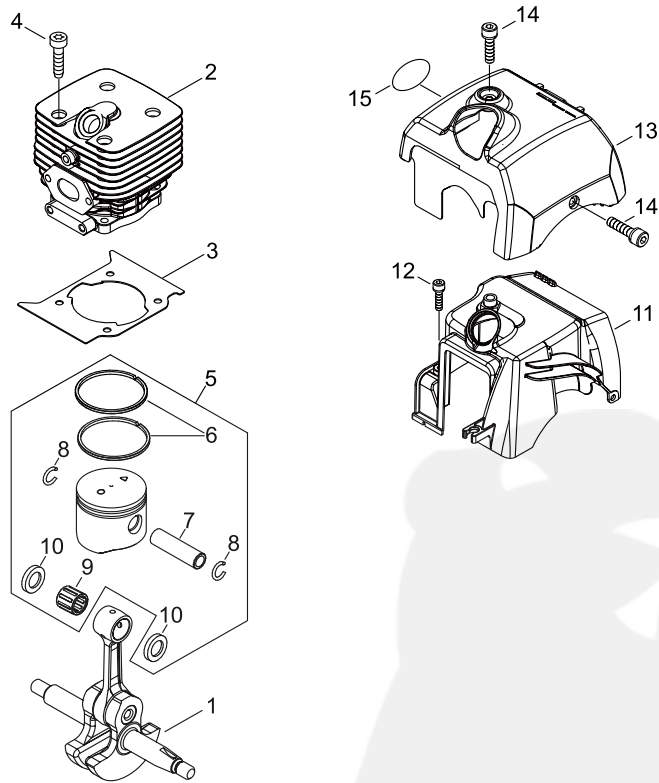
B510S(37)

37000001 -

CE

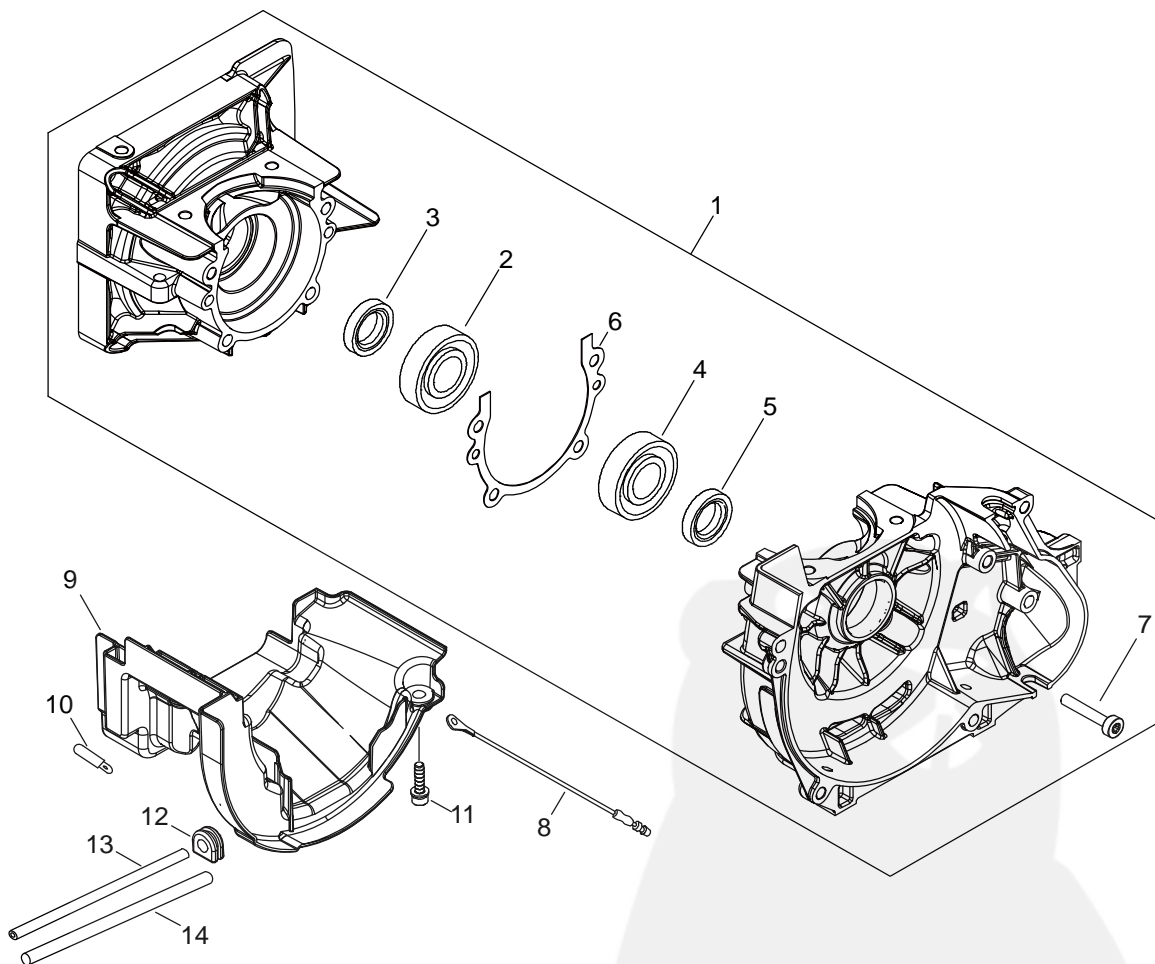
P016-002070-14Eb

1. CYLINDER, PISTON, CRANKSHAFT



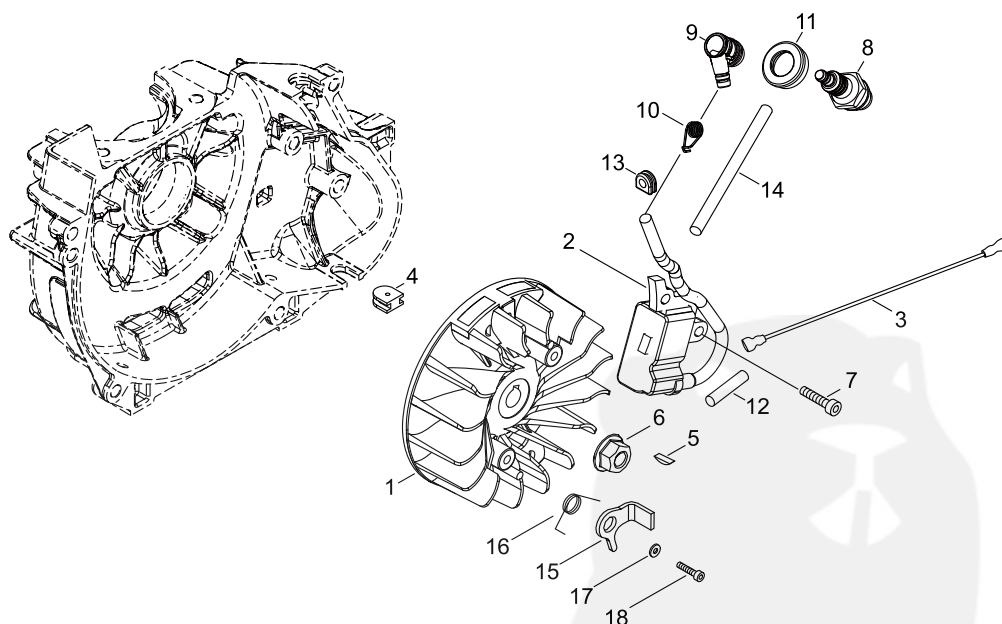
KEY	LV	PART NUMBER	Q'TY	DESCRIPTION	REMARKS	NOTE1	NOTE2
1		A011-001350	1	CRANKSHAFT,ASY			
2		A130-002190	1	CYLINDER			
3		V100-000790	1	GASKET,CYL			
4		V805-000210	4	BOLT, TORX 5	TB-5*20 12.9		
5		P021-047110	1	PISTON KIT			
6	+	A101-000070	2	RING,PISTON			
7	+	V609-000000	1	PIN,ENG 11			
8	+	100015-32330	2	CIRCLIP, PISTON PIN			
9	+	V556-000000	1	BEARING,NEEDLE 11	KBK11*15*15.8X2		
10	+	V308-000100	2	WASHER,CIRCULAR 11			
11		A160-002930	1	COVER,CYLINDER			
12		V835-000000	1	BOLT, TORX 5			
13		A160-002721	1	COVER,CYLINDER			
14		V835-000000	2	BOLT, TORX 5			
15		X504-008000	1	LABEL,BRAND			

2. CRANKCASE



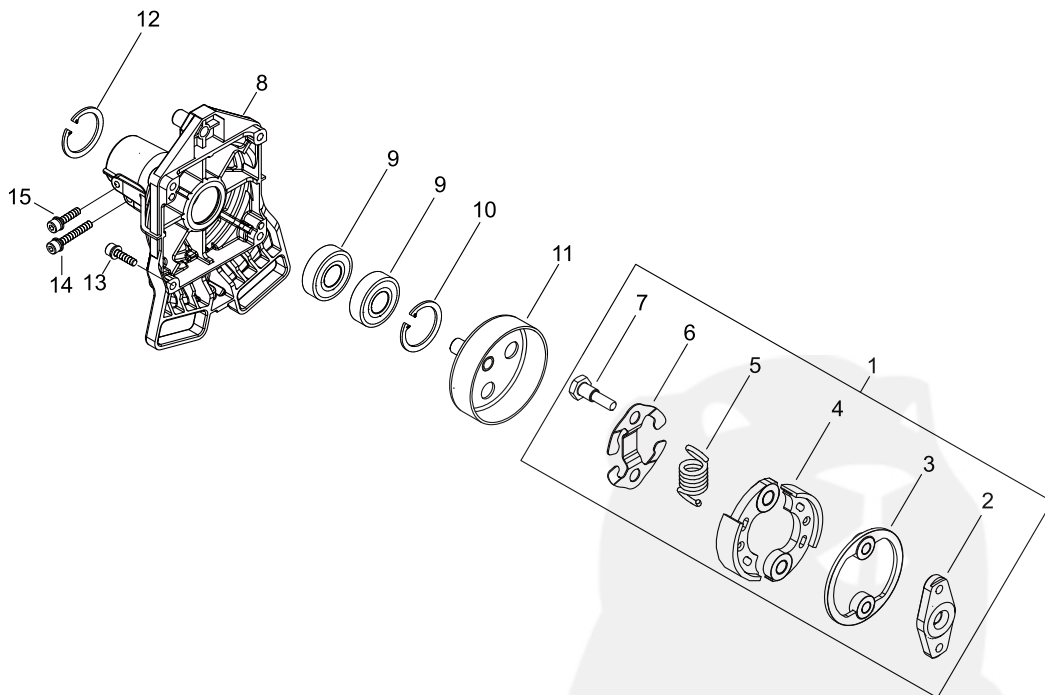
KEY	LV	PART NUMBER	Q'TY	DESCRIPTION	REMARKS	NOTE1	NOTE2
1		P021-047120	1	CRANK CASE SET			
2	+	900810-36202	1	BEARING, BALL 6202	6202/C3		
3	+	100213-00310	1	OILSEAL	ISCD 15 25 7		
4	+	900810-36202	1	BEARING, BALL 6202	6202/C3		
5	+	100213-00310	1	OILSEAL	ISCD 15 25 7		
6	+	V102-000260	1	GASKET, CRANKCASE			
7	+	V805-000180	4	BOLT, TORX 5	TB-5*30 12.9		
8		V485-002570	1	LEAD			
9		A209-000740	1	PLATE, INSULATOR			
10		159116-21231	1	CLAMP			
11		V835-000000	2	BOLT, TORX 5			
12		156110-04920	1	BUSHING			
13		V471-000740	1	PIPE			
14		V475-008080	1	TUBE			

3. MAGNETO



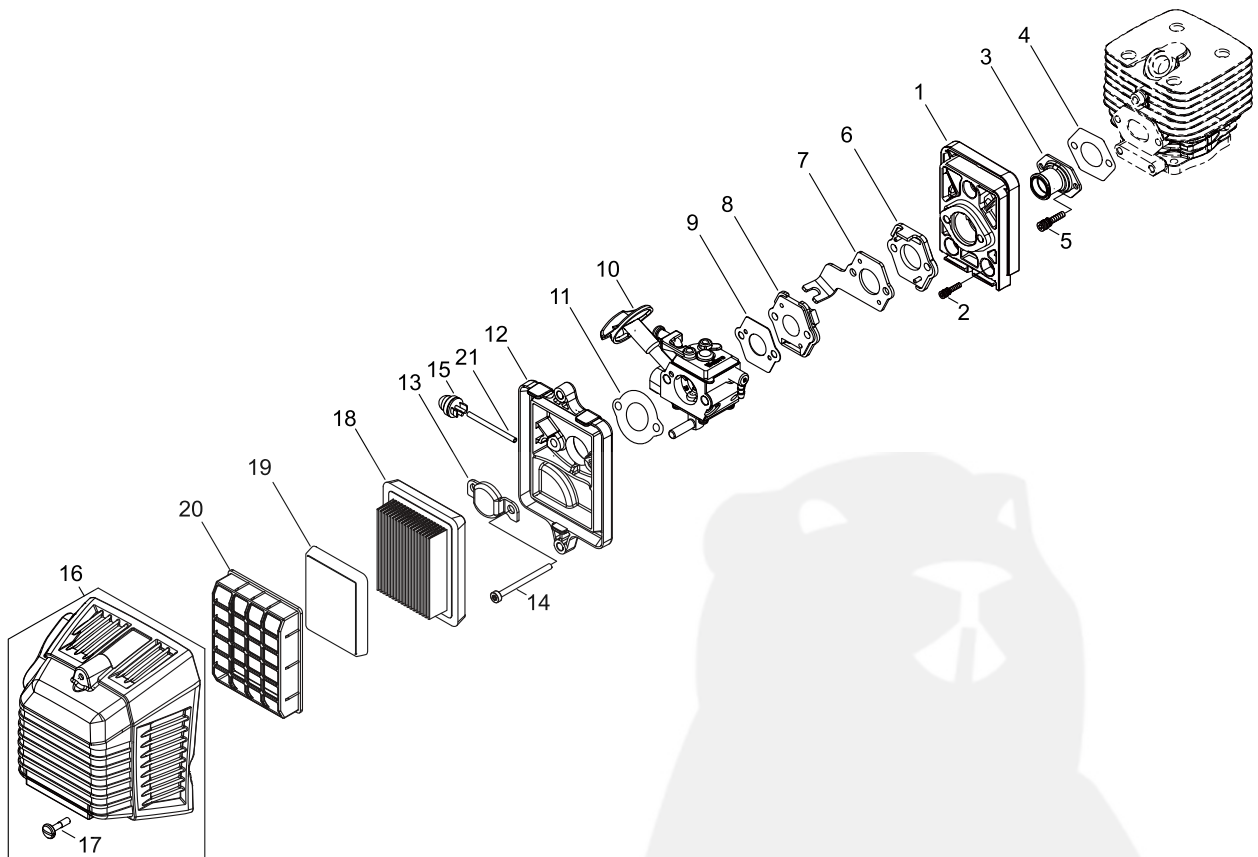
KEY	LV	PART NUMBER	Q'TY	DESCRIPTION	REMARKS	NOTE1	NOTE2
1		A409-001210	1	ROTOR, MAGNETO			
2		A411-001480	1	COIL, IGNITION			
3		V485-002331	1	LEAD			
4		156114-07320	1	GROMMET			
5		100142-12330	1	KEY, WOODRUFF			
6		92105-08000	1	NUT, FLANGE	M8*1.25 L		
7		V805-000150	2	BOLT, TORX 5	TB-5*16 10.9		
8		A425-000000	1	SPARKPLUG	BPMR8Y		
9		A427-000060	1	CAP, SPARK PLUG			
10		A426-000010	1	TERMINAL, SPARKPLUG			
11		A429-000090	1	COVER, CAP			
12		V475-007540	1	TUBE			
13		156110-04920	1	BUSHING			
14		V475-007550	1	TUBE			
15		A514-000280	2	PAWL			
16		V452-001471	2	SPRING, TORSION			
17		177247-04630	2	SPACER, RATCHET	5.2*8*2.1		
18		V805-000140	2	BOLT, TORX 5	TB-5*12 10.9		

4. CLUTCH



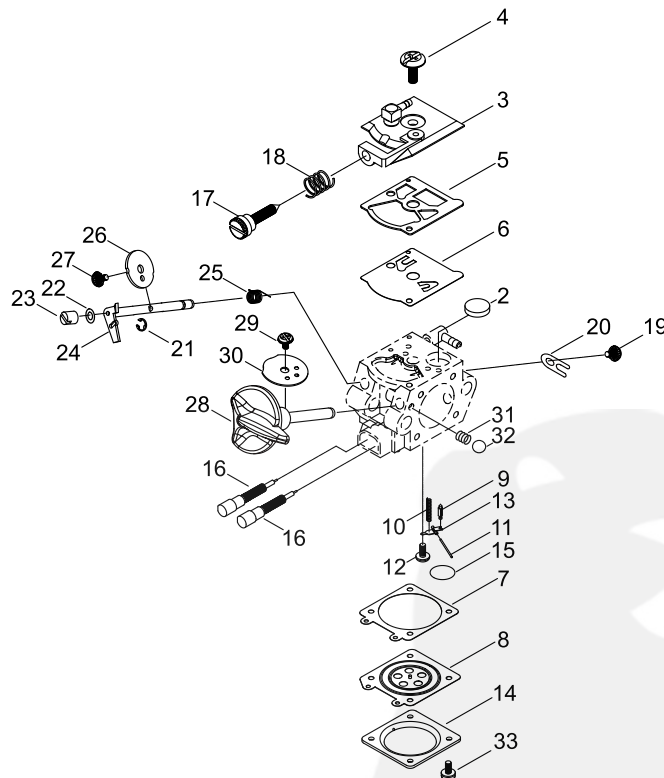
KEY	LV	PART NUMBER	Q'TY	DESCRIPTION	REMARKS	NOTE1	NOTE2
1		P021-047140	1	CLUTCH ASY			
2	+	175016-54430	1	HUB, CLUTCH			
3	+	V376-001650	1	SPACER			
4	+	A553-000040	2	ARM, CLUTCH			
5	+	A566-000260	1	SPRING, CLUTCH			
6	+	V453-000100	1	SPRING, FLAT	10.2		
7	+	A557-000200	2	SHAFT, CLUTCH			
8		A570-000291	1	CASE, CLUTCH			
9		94018-46001	2	BEARING, BALL			
10		900702-00028	1	CIRCLIP 28	CR-28		
11		A556-000181	1	DRUM, CLUTCH			
12		900701-00012	1	CIRCLIP 12	CS-12		
13		V805-000160	4	BOLT, TORX 5	TB-5*20 10.9		
14		V805-000160	1	BOLT, TORX 5	TB-5*20 10.9		
15		V805-000130	1	BOLT, TORX 5	TB-5*10 10.9		

5. AIR CLEANER, CARBURETOR



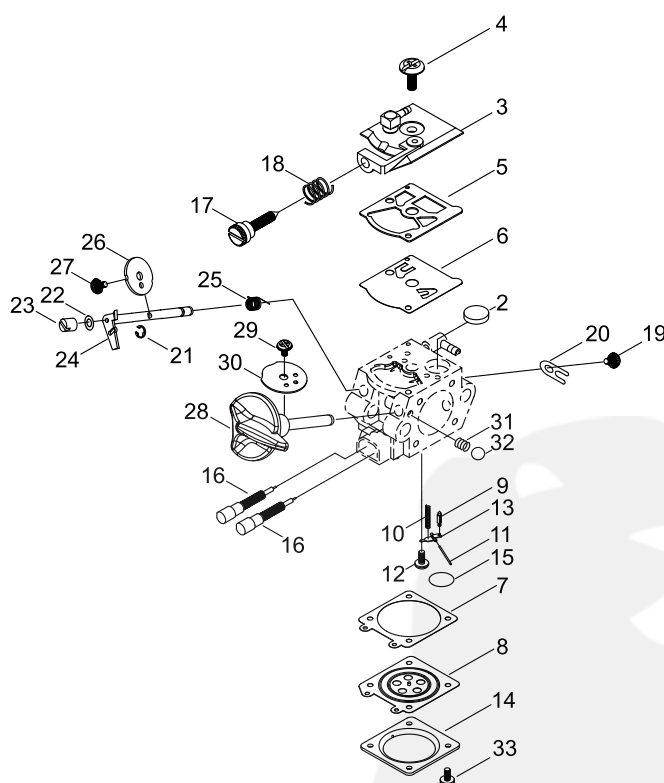
KEY	LV	PART NUMBER	Q'TY	DESCRIPTION	REMARKS	NOTE1	NOTE2
1		A200-000990	1	INSULATOR, INTAKE			
2		V855-000000	3	BOLT, TORX 5	TB-5*20		
3		A202-000270	1	BELLOWS, INTAKE			
4		V103-001620	1	GASKET,INTAKE			
5		V835-000010	2	BOLT, TORX 5	TB-5*12 10.9		
6		A209-000720	1	PLATE, INSULATOR			
7		C487-000410	1	HOLDER, CABLE			
8		A209-000840	1	PLATE, INSULATOR			
9		V103-001610	1	GASKET,INTAKE			
10		A021-004220	1	CARBURETOR,DIAPHRAGM			
11		V103-000500	1	GASKET,INTAKE	ASK NO.4600		
12		A225-000690	1	CASE,CLEANER			
13		A244-000290	1	PLATE, PREVENT			
14		V805-000330	2	BOLT, TORX 5			
15		123181-39130	1	PUMP, PRIMER			
16		P021-047380	1	CLEANER LID ASY			
17	+	V253-000100	2	SCREW,5	5*20		
18		A226-001730	1	ELEMENT,AIR FILTER			
19		A226-001740	1	ELEMENT, AIR FILTER			
20		A227-000040	1	PLATE, ELEMENT			
21		V471-001300	1	PIPE	2.4*5*65		

6. CARBURETOR



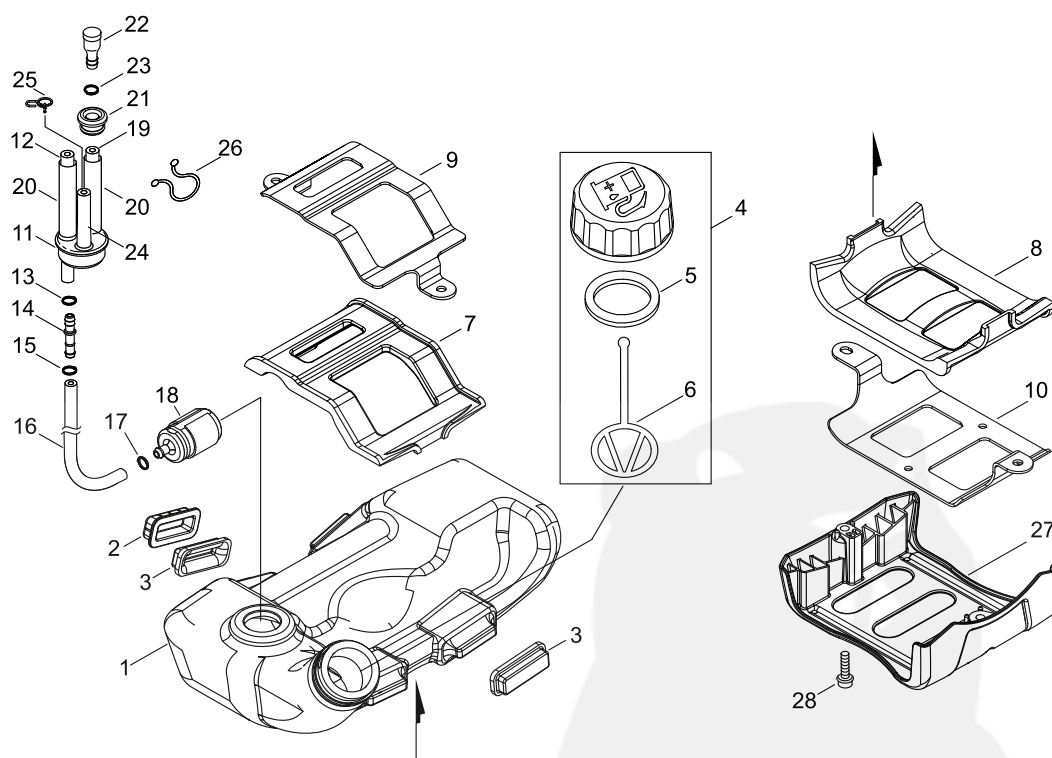
KEY	LV	PART NUMBER	Q'TY	DESCRIPTION	REMARKS	NOTE1	NOTE2
		A021-004220	1	CARBURETOR,DIAPHRAGM			
2	+	123126-10631	1	SCREEN, INLET			
3	+	P003-005450	1	PUMP COVER ASY			
4	+	123110-03930	1	SCREW, PUMP COVER			
5	+	123125-15030	1	GASKET, FUEL PUMP			
6	+	123112-15030	1	DIAPHRAGM, FUEL PUMP			
7	+	123140-27230	1	GASKET, M. DIAPHRAGM			
8	+	P003-001850	1	DIAPHRAGM, METERING			
9	+	123137-19830	1	VALVE, INLET NEEDLE			
10	+	123122-03660	1	SPRING, METER. LEVER			
11	+	123138-03930	1	PIN, METERING LEVER			
12	+	123139-03930	1	SCREW, M. LEVER PIN			
13	+	123123-03930	1	LEVER, METERING			
14	+	123142-03930	1	COVER, M. DIAPHRAGM			
15	+	123146-10631	1	PLUG, WELCH			
16	+	P003-002270	2	NEEDLE			
17	+	123134-04260	1	SCREW, IDLE ADJUST			
18	+	123133-04260	1	SPRING, IDLE ADJUST			
19	+	P003-005120	1	SCREW			
20	+	123127-03930	1	CLIP, THROTTLE SHAFT			
21	+	123173-07930	1	CLIP			
22	+	123149-54230	1	WASHER			
23	+	P003-005460	1	SWIVEL			
24	+	P003-005020	1	SHAFT ASM THROTTLE			
25	+	123113-47530	1	SPRING, THR. RTN.			

6. CARBURETOR



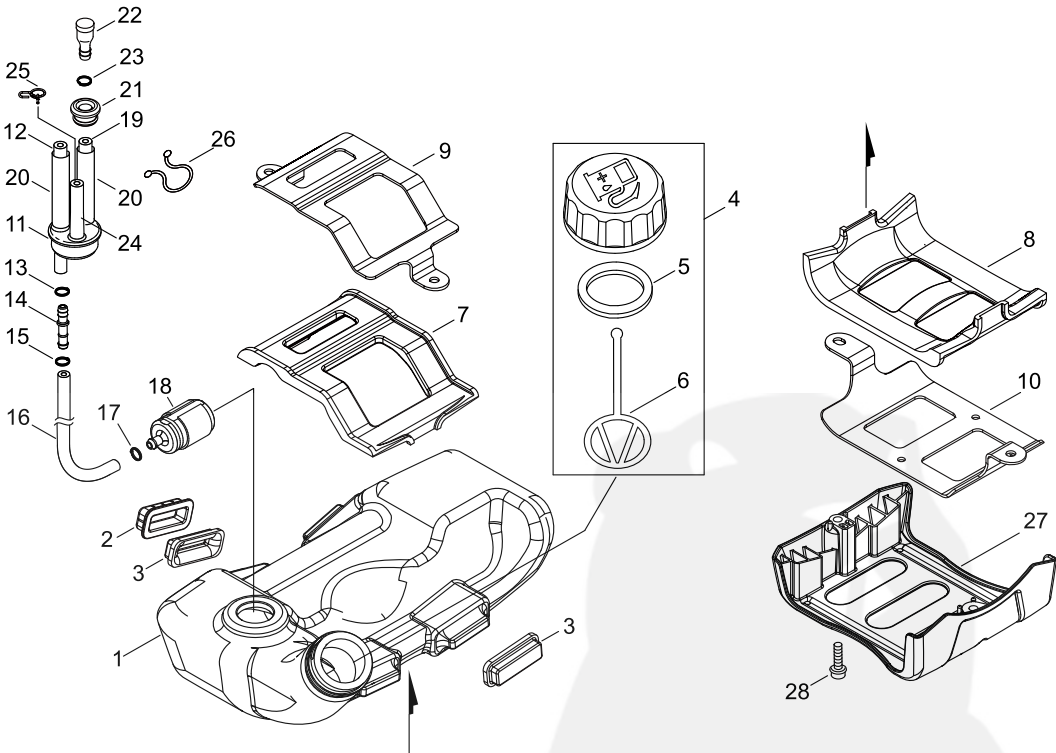
KEY	LV	PART NUMBER	Q'TY	DESCRIPTION	REMARKS	NOTE1	NOTE2
26	+	P003-000310	1	VALVE THROTTLE			
27	+	P003-002380	1	SCREW			
28	+	P003-005470	1	SHAFT ASY. CHOKE			
29	+	123114-38830	1	SCREW			
30	+	P003-001790	1	VALVE, CHOKE			
31	+	123135-10630	1	SPRING, CHOKE FRICT.			
32	+	123136-10630	1	BALL, CHOKE FRICTION			
33	+	123130-02960	4	SCREW			

7. FUEL TANK



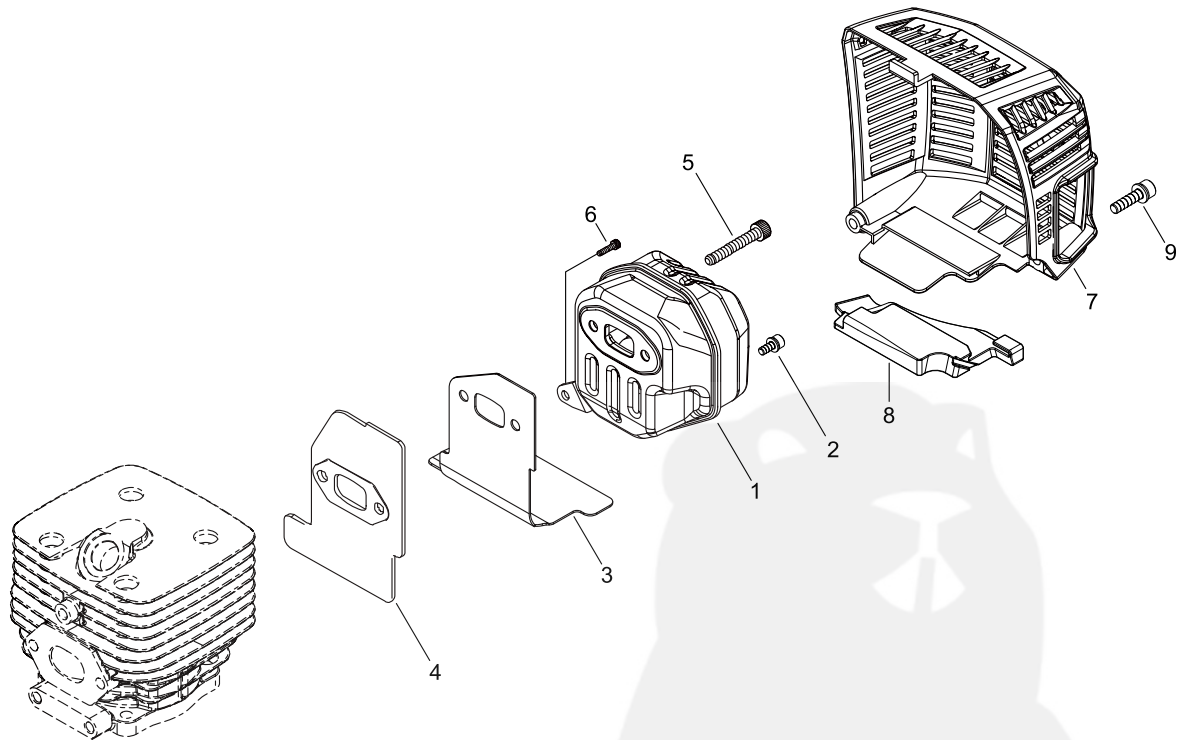
KEY	LV	PART NUMBER	Q'TY	DESCRIPTION	REMARKS	NOTE1	NOTE2
1		A350-002020	1	TANK, FUEL			
2		V423-000130	2	HOLDER,CUSHION			
3		V420-004860	4	CUSHION			
4		P021-035680	1	FUEL CAP ASY	T242		
5	+	131016-55830	1	GASKET, FUEL CAP			
6	+	A365-000060	1	CONNECTOR,CAP	L=123		
7		A390-000050	1	SEAT,FUEL TANK			
8		A390-000060	1	SEAT,FUEL TANK			
9		A393-000320	1	BRACKET,FUEL TANK			
10		A393-000330	1	BRACKET,FUEL TANK			
11		132115-55930	1	GROMMET, FUEL			
12		V471-002310	1	PIPE	3*6*130		
13		V490-001240	1	CLIP			
14		V186-000510	1	JOINT,PIPE			
15		130111-00530	1	CLIP	5.5		
16		V470-000840	1	PIPE			
17		V490-001240	1	CLIP			
18		A369-000001	1	STRAINER, FUEL	125-528		
19		130110-14530	1	PIPE, IMPULSE	3*6*135L		
20		V475-007720	2	TUBE	8*9*80		
21		132115-01461	1	GROMMET			
22		131300-56431	1	VENT ASSEMBLY, FUEL			
23		V490-001240	1	CLIP			
24		V471-000630	1	PIPE			
25		V490-000510	1	CLIP			

7. FUEL TANK



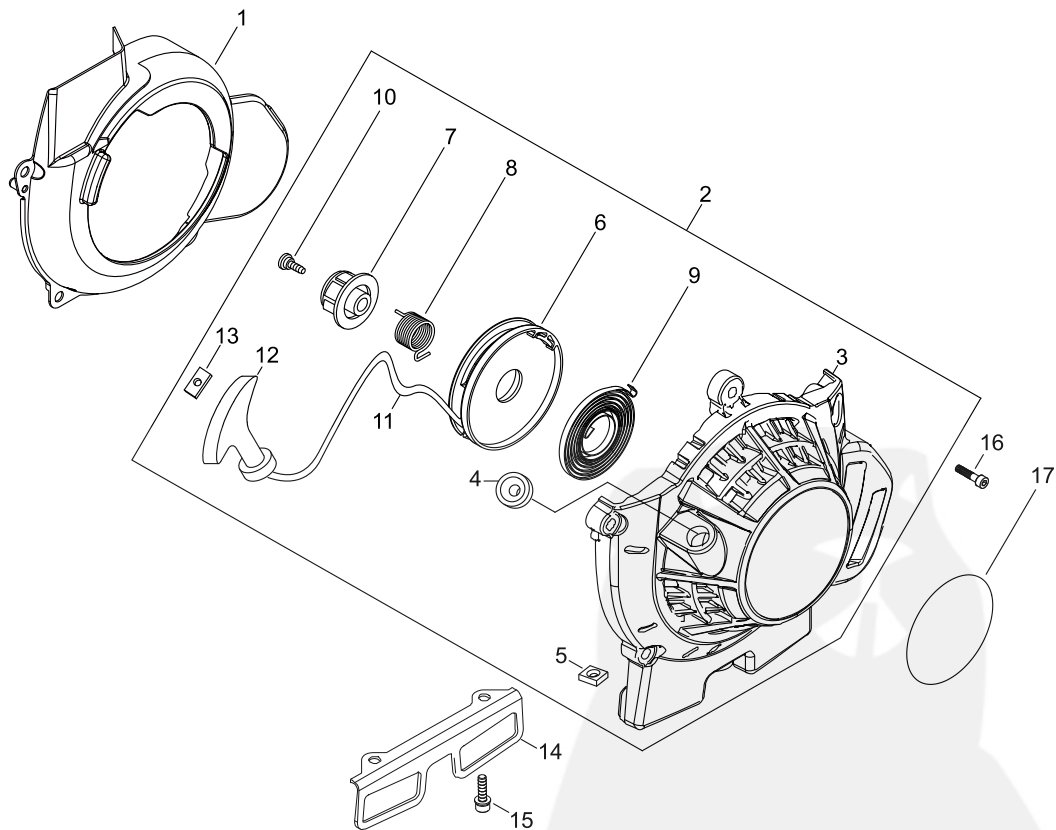
KEY	LV	PART NUMBER	Q'TY	DESCRIPTION	REMARKS	NOTE1	NOTE2
26		V491-000460	1	CLIP			
27		A175-000331	1	STAND			
28		V835-000030	2	BOLT, TORX 5	TB-5*20 10.9		

8. MUFFLER



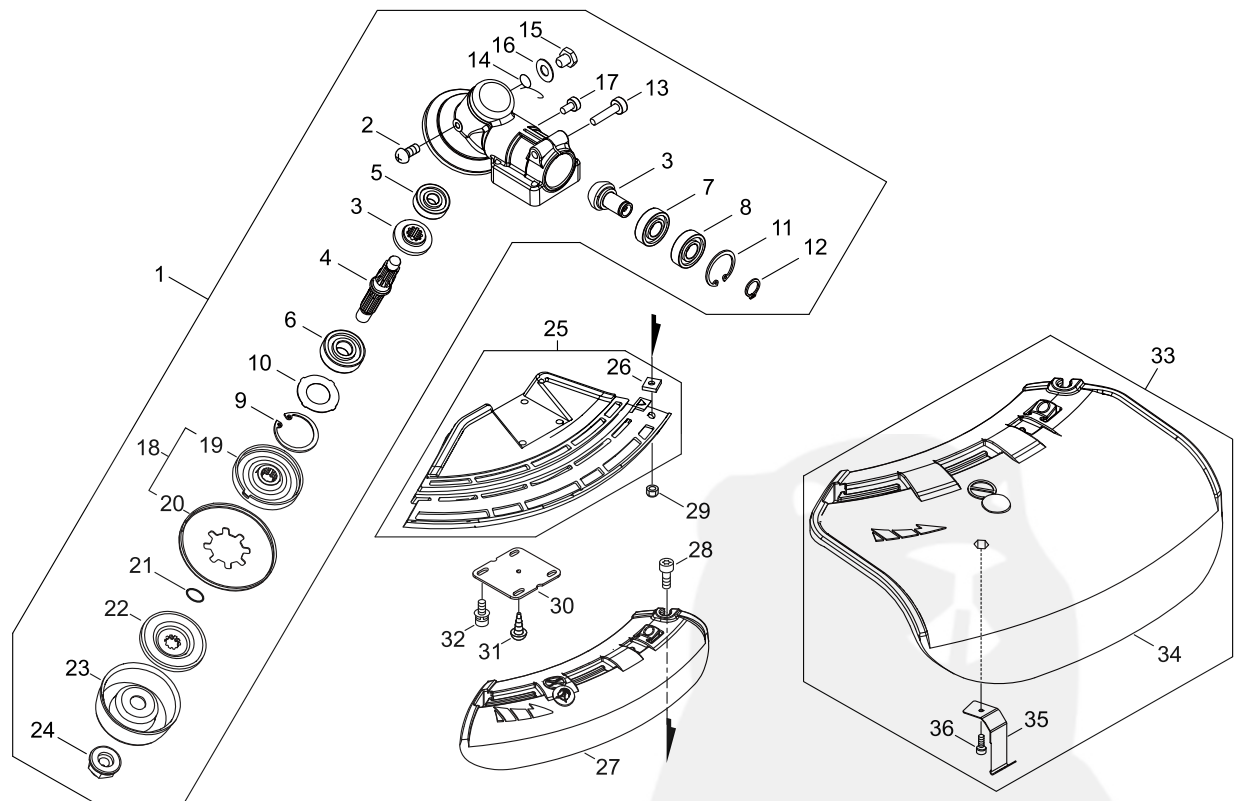
KEY	LV	PART NUMBER	Q'TY	DESCRIPTION	REMARKS	NOTE1	NOTE2
1		A300-001850	1	MUFFLER, EXHAUST			
2		V804-000030	1	BOLT, TORX 4	TB-4*8 10.9		
3		V104-002170	1	GASKET, EXHAUST			
4		V104-002030	1	GASKET, EXHAUST			
5		V806-000050	2	BOLT, TORX 6	TB-6*20 12.9		
6		V805-000300	1	BOLT, TORX 5	TB-5*12 12.9		
7		A320-001110	1	COVER, MUFFLER			
8		V541-000540	1	SEAL			
9		V805-000260	2	BOLT, TORX 5	TB5*25 10.9		

9. RECOIL STARTER



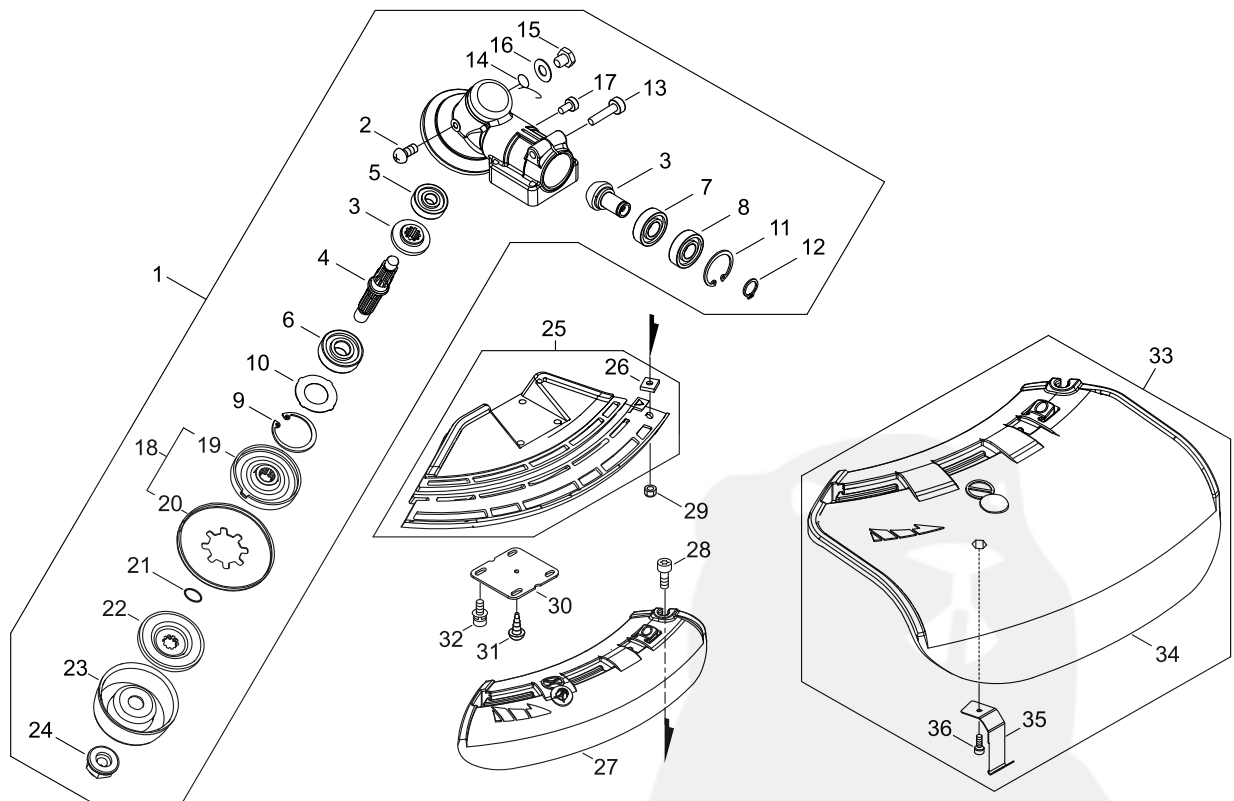
KEY	LV	PART NUMBER	Q'TY	DESCRIPTION	REMARKS	NOTE1	NOTE2
1		A172-002600	1	COVER,FAN			
2		A051-002930	1	STARTER,RECOIL			
3	+	A500-001560	1	CASE,STARTER			
4	+	177227-42030	1	GUIDE, ROPE			
5	+	900565-00005	1	NUT	5		
6	+	P022-023140	1	DRUM, STARTER			
7	+	P022-033830	1	CAM			
8	+	P022-023120	1	SPRING,DAMPER			
9	+	P022-004680	1	SPRING, SPIRAL			
10	+	P022-023110	1	SCREW			
11	+	P022-037560	1	ROPE, STARTER			
12	+	177228-11120	1	GRIP, STARTER			
13	+	177246-11120	1	CLIP, STARTER ROPE			
14		A393-000300	1	BRACKET,FUEL TANK	T1.5		
15		V805-000150	2	BOLT, TORX 5	TB-5*16 10.9		
16		V835-000030	4	BOLT, TORX 5	TB-5*20 10.9		
17		X504-007990	1	LABEL,BRAND			

10. GEAR CASE, SHIELD



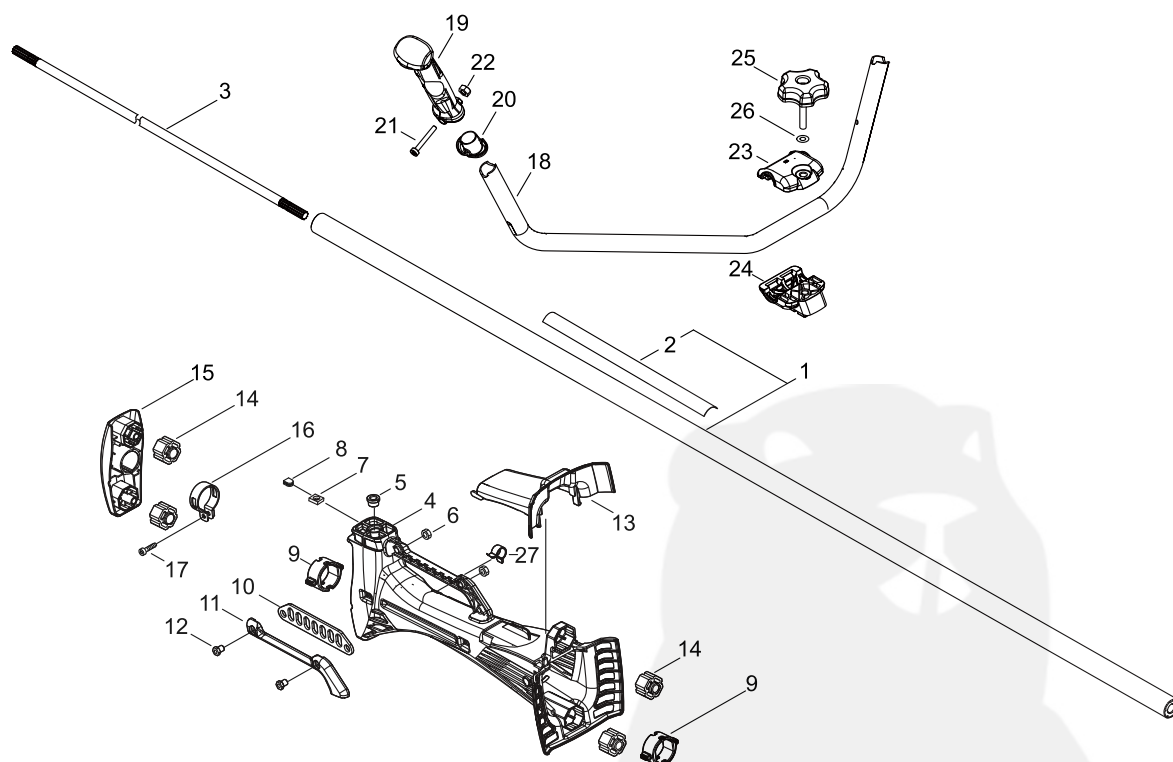
KEY	LV	PART NUMBER	Q'TY	DESCRIPTION	REMARKS	NOTE1	NOTE2
1		P021-041342	1	CASE,GEAR			
2	+	900220-04006	1	SCREW 4*6	4*6		
3	+	610300-56930	1	GEAR SET			
4	+	610310-56933	1	SHAFT, P.T.O.	12*10*1		
5	+	900810-00629	1	BEARING, BALL 629			
6	+	900812-06201	1	BEARING, BALL 6201			
7	+	900800-06001	1	BEARING, BALL 6001			
8	+	900803-06001	1	BEARING, BALL 6001			
9	+	900702-00032	1	CIRCLIP 32	CR-32		
10	+	610444-56830	1	WASHER			
11	+	900702-00028	1	CIRCLIP 28	CR-28		
12	+	900701-00012	1	CIRCLIP 12	CS-12		
13	+	V806-000100	1	BOLT, TORX 6	TB-6*30 10.9		
14	+	V452-001310	1	SPRING,TORSION			
15	+	610434-50031	1	BOLT 8* 8	M8*8		
16	+	900603-50008	1	WASHER	8.5*18*0.8T		
17	+	V805-000130	1	BOLT, TORX 5	TB-5*10 10.9		
18	+	610313-52932	1	FIXTURE,BLADE			
19	++	610313-52132	1	FIXTURE,BLADE			
20	++	610352-56830	1	PLATE, CUP			
21	+	900720-00012	1	O-RING 12	P-12		
22	+	610314-52130	1	PLATE, ADAPTER (L)			
23	+	699229-56830	1	PLATE, COVER			
24	+	610320-52130	1	NUT 10			
25		C550-000501	1	SHIELD, BLADE			

10. GEAR CASE, SHIELD



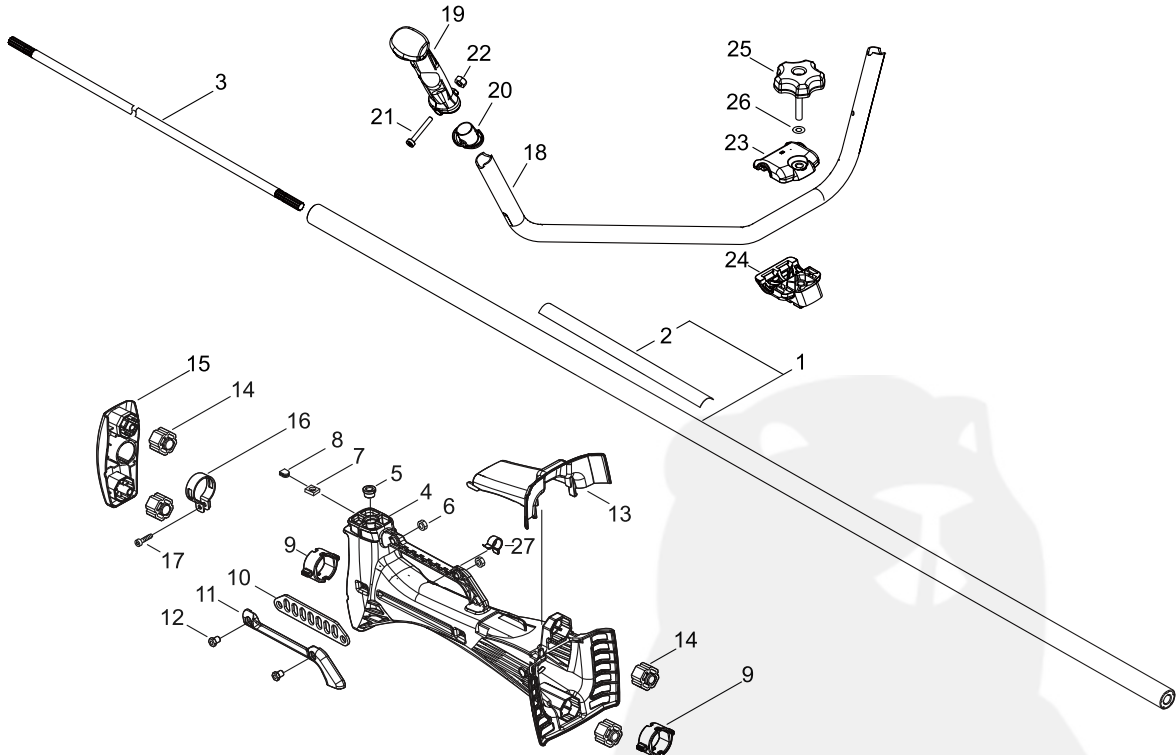
KEY	LV	PART NUMBER	Q'TY	DESCRIPTION	REMARKS	NOTE1	NOTE2
26	+	900565-00005	1	NUT	5		
27		C550-000541	1	SHIELD, BLADE			
28		V805-000170	1	BOLT, TORX 5	TB-5*25 10.9		
29		900562-00005	1	NUT, LOCK	5		
30		C552-000200	1	PLATE, SHIELD			
31		91316-04010	1	SCREW	M4*10		
32		V805-000260	4	BOLT, TORX 5	TB5*25 10.9		
33		P021-042900	1	SHIELD ASY, BLADE			
34	+	C550-000560	1	SHIELD, BLADE			
35	+	C554-000030	1	KNIFE, CORD	17INCH		
36	+	V805-000150	1	BOLT, TORX 5	TB-5*16 10.9		

11. MAIN PIPE, HANDLE



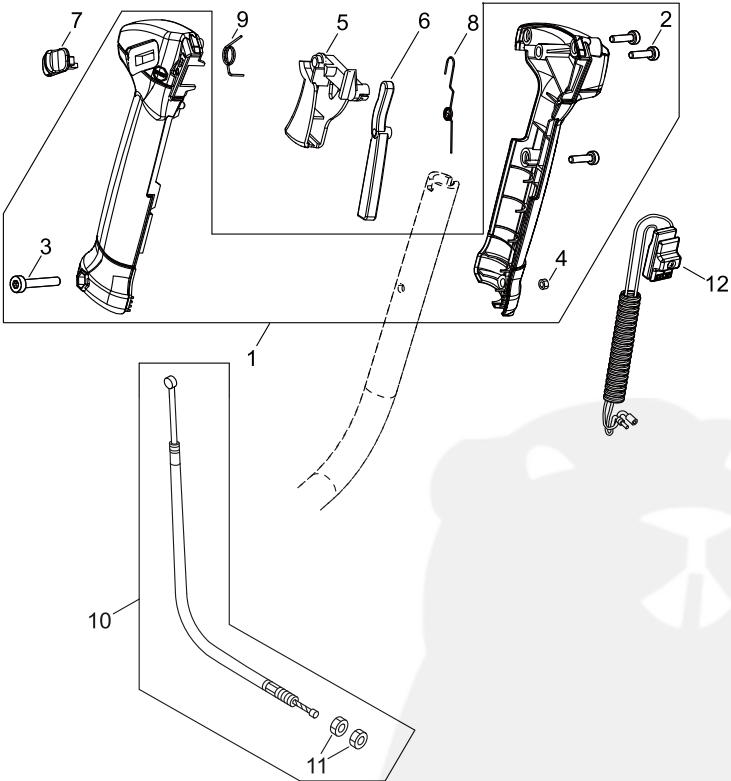
KEY	LV	PART NUMBER	Q'TY	DESCRIPTION	REMARKS	NOTE1	NOTE2
1		P021-047220	1	MAIN PIPE ASY			
2	+	890617-43130	1	LABEL,CAUTION			
3		610011-49931	1	SHAFT, DRIVE			
4		C415-000180	1	SUPPORT,HANDLE			
5		V355-000750	1	COLLAR,8	SRM-420ES		
6		V263-000020	2	NUT,5			
7		900565-50008	1	NUT			
8		101538-28230	1	GROMMET,PLUG			
9		C427-000050	2	STOPPER, HANDLE			
10		V150-003590	1	PLATE,EYE			
11		C648-000040	1	HOLDER,LIFTING			
12		V805-000150	2	BOLT, TORX 5	TB-5*16 10.9		
13		C480-000150	1	GUIDE,CABLE			
14		V420-004100	4	CUSHION			
15		C610-000070	1	FIXTURE,CUSHION			
16		V495-002880	1	BAND			
17		V805-000150	1	BOLT, TORX 5	TB-5*16 10.9		
18		C400-001440	1	HANDLE,FRONT			
19		C403-000810	1	GRIP, HANDLE			
20		C441-000000	1	PIECE,HAND GUARD			
21		V805-000070	1	BOLT, TORX 5	TB-5*40 10.9		
22		900562-50005	1	LOCKNUT 5	5		
23		C423-000960	1	FIXTURE, HANDLE			
24		C423-000970	1	FIXTURE, HANDLE			
25		V299-000110	1	KNOB,FASTENER			

11. MAIN PIPE, HANDLE



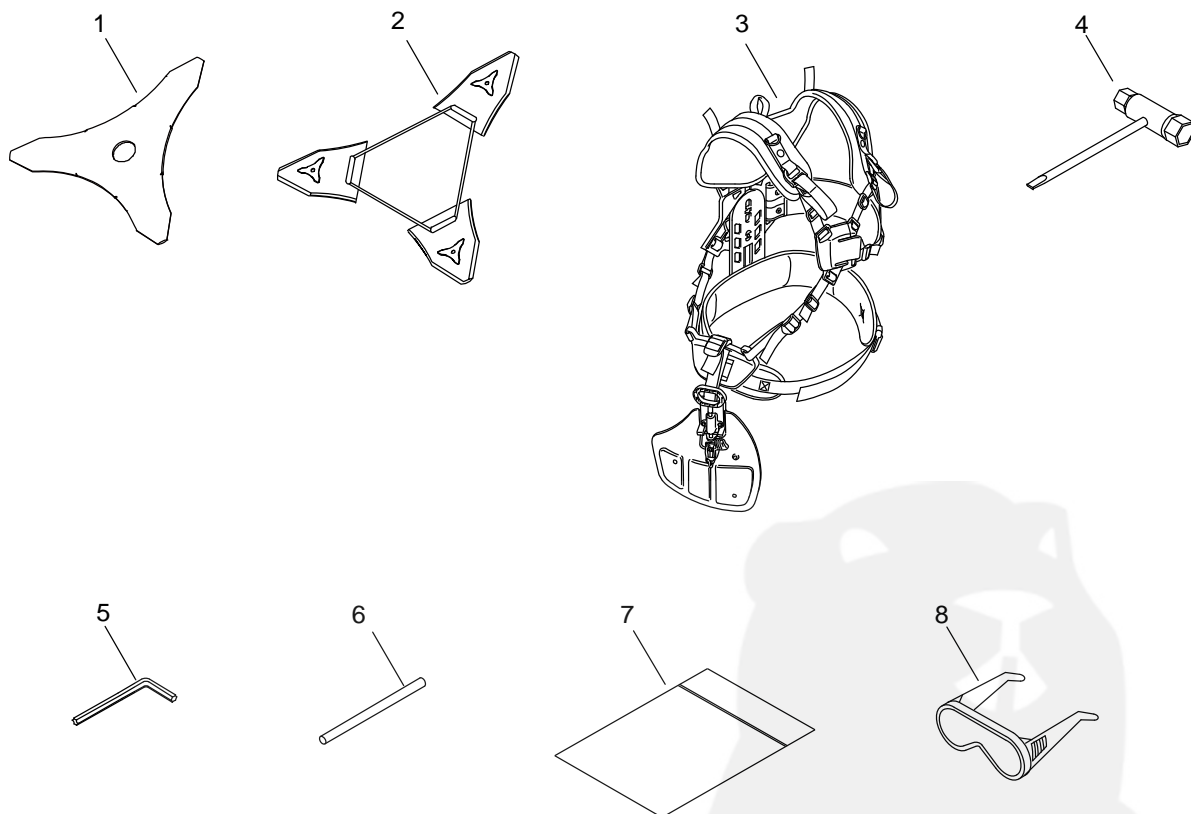
KEY	LV	PART NUMBER	Q'TY	DESCRIPTION	REMARKS	NOTE1	NOTE2
26		175049-03920	1	WASHER			
27		V490-001220	1	CLIP			

12. THROTTLE



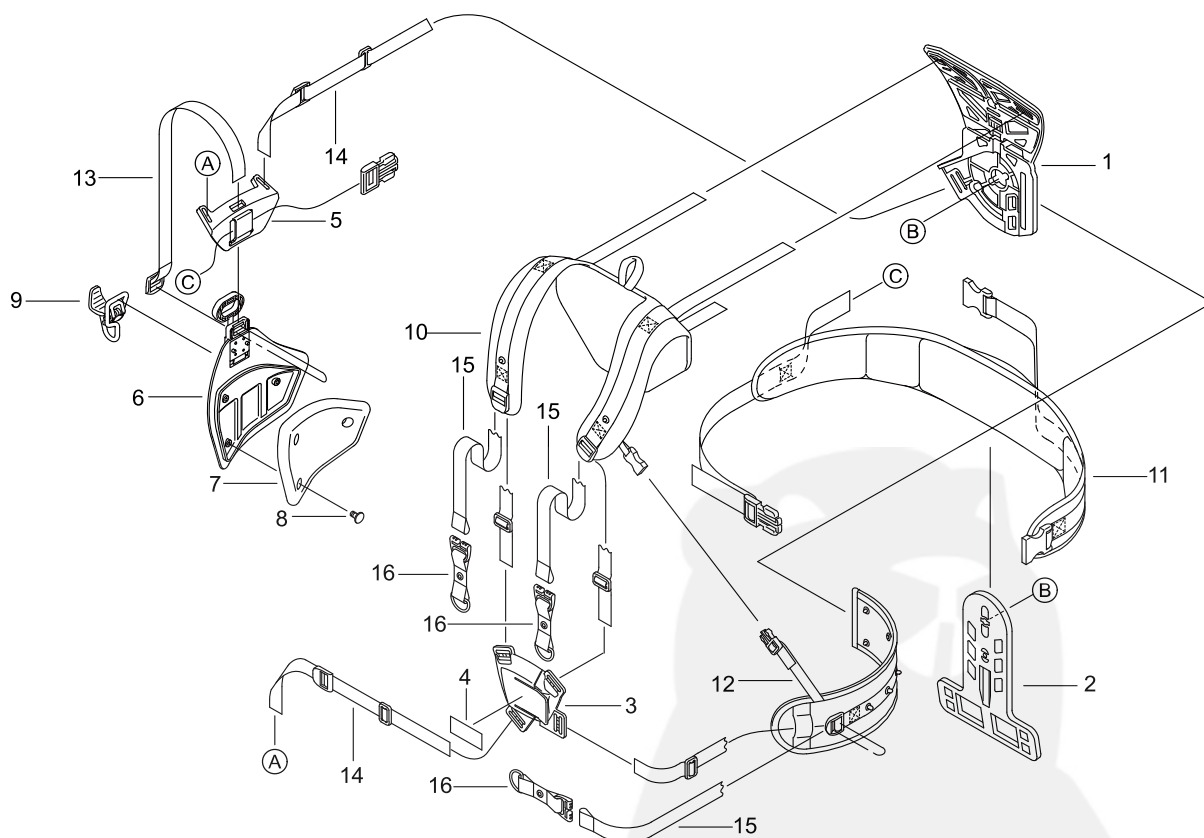
KEY	LV	PART NUMBER	Q'TY	DESCRIPTION	REMARKS	NOTE1	NOTE2
1		P021-047370	1	HANDLE GRIP SET			
2	+	V804-000010	3	BOLT, TORX 4	TT-4*16 DG 10.9		
3	+	V805-000060	1	BOLT, TORX 5	TB-5*35 10.9		
4	+	900500-00005	1	NUT 5	5		
5		C450-000890	1	TRIGGER, THROTTLE			
6		C460-000500	1	LOCKOUT, THROTTLE			
7		C463-000050	1	KNOB, LATCH			
8		V452-001540	1	SPRING, TORSION			
9		V452-000060	1	SPRING, TORSION			
10		V430-004690	1	CABLE, BOWDEN			
11	+	900502-00006	2	NUT 6 (3N)	3N6		
12		P021-042890	1	SWITCH, ON OFF ASY			

13. ACCESSORIES



KEY	LV	PART NUMBER	Q'TY	DESCRIPTION	REMARKS	NOTE1	NOTE2
1		X405-000151	1	SAW,BUSH CUTTER	3*255*25.4*T3		
2		X495-000270	1	SCABBARD,BLADE			
3		C062-000600	1	HARNESS, SHOULDER			
4		X602-000020	1	TOOL,WRENCH	17*19 L200		
5		X605-000170	1	TOOL,L WRENCH			
6		X606-000080	1	TOOL,BAR	5*120		
7		898510-07130	1	BAG, TOOL			
8		X690-000080	1	GOGGLE	SI CHINA, Z87.1		

14. HARNESS



KEY	LV	PART NUMBER	Q'TY	DESCRIPTION	REMARKS	NOTE1	NOTE2
		C062-000600	1	HARNESS, SHOULDER			
1	+	C630-000240	1	SEAT, BACKPACK			
2	+	C630-000250	1	SEAT, BACKPACK			
3	+	P021-047390	1	BUCKLE, HARNESS SET			
4	+	X504-008180	1	LABEL, BRAND			
5	+	C652-000070	1	PAD, WAIST			
6	+	P021-047230	1	PAD, WAIST ASY			
7	+	C652-000080	1	PAD, WAIST			
8	+	V491-000260	3	CLIP			
9	+	C063-000050	1	HOOK, LIFTING			
10	+	C644-000220	1	PAD, HARNESS			
11	+	C651-000080	1	BELT, HARNESS			
12	+	C652-000090	1	PAD, WAIST			
13	+	C650-000000	1	ADJUSTER, STRAP			
14	+	C650-000010	2	ADJUSTER, STRAP			
15	+	C650-000020	3	ADJUSTER, STRAP			
16	+	C653-000000	3	END, BELT			

Index

Patrs Number	Key No.	Patrs Number	Key No.	Patrs Number	Key No.
100015-32330	1 - 8	610314-52130	10 - 22	A226-001740	5 - 19
100142-12330	3 - 5	610320-52130	10 - 24	A227-000040	5 - 20
100213-00310	2 - 3	610352-56830	10 - 20	A244-000290	5 - 13
100213-00310	2 - 5	610434-50031	10 - 15	A300-001850	8 - 1
101538-28230	11 - 8	610444-56830	10 - 10	A320-001110	8 - 7
123110-03930	6 - 4	699229-56830	10 - 23	A350-002020	7 - 1
123112-15030	6 - 6	890617-43130	11 - 2	A365-000060	7 - 6
123113-47530	6 - 25	898510-07130	13 - 7	A369-000001	7 - 18
123114-38830	6 - 29	900220-04006	10 - 2	A390-000050	7 - 7
123122-03660	6 - 10	900500-00005	12 - 4	A390-000060	7 - 8
123123-03930	6 - 13	900502-00006	12 - 11	A393-000300	9 - 14
123125-15030	6 - 5	900562-00005	10 - 29	A393-000320	7 - 9
123126-10631	6 - 2	900562-50005	11 - 22	A393-000330	7 - 10
123127-03930	6 - 20	900565-00005	9 - 5	A409-001210	3 - 1
123130-02960	6 - 33	900565-00005	10 - 26	A411-001480	3 - 2
123133-04260	6 - 18	900565-50008	11 - 7	A425-000000	3 - 8
123134-04260	6 - 17	900603-50008	10 - 16	A426-000010	3 - 10
123135-10630	6 - 31	900701-00012	4 - 12	A427-000060	3 - 9
123136-10630	6 - 32	900701-00012	10 - 12	A429-000090	3 - 11
123137-19830	6 - 9	900702-00028	4 - 10	A500-001560	9 - 3
123138-03930	6 - 11	900702-00028	10 - 11	A514-000280	3 - 15
123139-03930	6 - 12	900702-00032	10 - 9	A553-000040	4 - 4
123140-27230	6 - 7	900720-00012	10 - 21	A556-000181	4 - 11
123142-03930	6 - 14	900800-06001	10 - 7	A557-000200	4 - 7
123146-10631	6 - 15	900803-06001	10 - 8	A566-000260	4 - 5
123149-54230	6 - 22	900810-00629	10 - 5	A570-000291	4 - 8
123173-07930	6 - 21	900810-36202	2 - 2	C062-000600	13 - 3
123181-39130	5 - 15	900810-36202	2 - 4	C062-000600	14 -
130110-14530	7 - 19	900812-06201	10 - 6	C063-000050	14 - 9
130111-00530	7 - 15	91316-04010	10 - 31	C400-001440	11 - 18
131016-55830	7 - 5	92105-08000	3 - 6	C403-000810	11 - 19
131300-56431	7 - 22	94018-46001	4 - 9	C415-000180	11 - 4
132115-01461	7 - 21	A011-001350	1 - 1	C423-000960	11 - 23
132115-55930	7 - 11	A021-004220	5 - 10	C423-000970	11 - 24
156110-04920	2 - 12	A021-004220	6 -	C427-000050	11 - 9
156110-04920	3 - 13	A051-002930	9 - 2	C441-000000	11 - 20
156114-07320	3 - 4	A101-000070	1 - 6	C450-000890	12 - 5
159116-21231	2 - 10	A130-002190	1 - 2	C460-000500	12 - 6
175016-54430	4 - 2	A160-002721	1 - 13	C463-000050	12 - 7
175049-03920	11 - 26	A160-002930	1 - 11	C480-000150	11 - 13
177227-42030	9 - 4	A172-002600	9 - 1	C487-000410	5 - 7
177228-11120	9 - 12	A175-000331	7 - 27	C550-000501	10 - 25
177246-11120	9 - 13	A200-000990	5 - 1	C550-000541	10 - 27
177247-04630	3 - 17	A202-000270	5 - 3	C550-000560	10 - 34
610011-49931	11 - 3	A209-000720	5 - 6	C552-000200	10 - 30
610300-56930	10 - 3	A209-000740	2 - 9	C554-000030	10 - 35
610310-56933	10 - 4	A209-000840	5 - 8	C610-000070	11 - 15
610313-52132	10 - 19	A225-000690	5 - 12	C630-000240	14 - 1
610313-52932	10 - 18	A226-001730	5 - 18	C630-000250	14 - 2

Index

Patrs Number Key No.		Patrs Number Key No.		Patrs Number Key No.	
C644-000220	14 - 10	V299-000110	11 - 25	V805-000170	10 - 28
C648-000040	11 - 11	V308-000100	1 - 10	V805-000180	2 - 7
C650-000000	14 - 13	V355-000750	11 - 5	V805-000210	1 - 4
C650-000010	14 - 14	V376-001650	4 - 3	V805-000260	8 - 9
C650-000020	14 - 15	V420-004100	11 - 14	V805-000260	10 - 32
C651-000080	14 - 11	V420-004860	7 - 3	V805-000300	8 - 6
C652-000070	14 - 5	V423-000130	7 - 2	V805-000330	5 - 14
C652-000080	14 - 7	V430-004690	12 - 10	V806-000050	8 - 5
C652-000090	14 - 12	V452-000060	12 - 9	V806-000100	10 - 13
C653-000000	14 - 16	V452-001310	10 - 14	V835-000000	1 - 12
P003-000310	6 - 26	V452-001471	3 - 16	V835-000000	1 - 14
P003-001790	6 - 30	V452-001540	12 - 8	V835-000000	2 - 11
P003-001850	6 - 8	V453-000100	4 - 6	V835-000010	5 - 5
P003-002270	6 - 16	V470-000840	7 - 16	V835-000030	7 - 28
P003-002380	6 - 27	V471-000630	7 - 24	V835-000030	9 - 16
P003-005020	6 - 24	V471-000740	2 - 13	V855-000000	5 - 2
P003-005120	6 - 19	V471-001300	5 - 21	X405-000151	13 - 1
P003-005450	6 - 3	V471-002310	7 - 12	X495-000270	13 - 2
P003-005460	6 - 23	V475-007540	3 - 12	X504-007990	9 - 17
P003-005470	6 - 28	V475-007550	3 - 14	X504-008000	1 - 15
P021-035680	7 - 4	V475-007720	7 - 20	X504-008180	14 - 4
P021-041342	10 - 1	V475-008080	2 - 14	X602-000020	13 - 4
P021-042890	12 - 12	V485-002331	3 - 3	X605-000170	13 - 5
P021-042900	10 - 33	V485-002570	2 - 8	X606-000080	13 - 6
P021-047110	1 - 5	V490-000510	7 - 25	X690-000080	13 - 8
P021-047120	2 - 1	V490-001220	11 - 27		
P021-047140	4 - 1	V490-001240	7 - 13		
P021-047220	11 - 1	V490-001240	7 - 17		
P021-047230	14 - 6	V490-001240	7 - 23		
P021-047370	12 - 1	V491-000260	14 - 8		
P021-047380	5 - 16	V491-000460	7 - 26		
P021-047390	14 - 3	V495-002880	11 - 16		
P022-004680	9 - 9	V541-000540	8 - 8		
P022-023110	9 - 10	V556-000000	1 - 9		
P022-023120	9 - 8	V609-000000	1 - 7		
P022-023140	9 - 6	V804-000010	12 - 2		
P022-033830	9 - 7	V804-000030	8 - 2		
P022-037560	9 - 11	V805-000060	12 - 3		
V100-000790	1 - 3	V805-000070	11 - 21		
V102-000260	2 - 6	V805-000130	4 - 15		
V103-000500	5 - 11	V805-000130	10 - 17		
V103-001610	5 - 9	V805-000140	3 - 18		
V103-001620	5 - 4	V805-000150	3 - 7		
V104-002030	8 - 4	V805-000150	9 - 15		
V104-002170	8 - 3	V805-000150	10 - 36		
V150-003590	11 - 10	V805-000150	11 - 12		
V186-000510	7 - 14	V805-000150	11 - 17		
V253-000100	5 - 17	V805-000160	4 - 13		
V263-000020	11 - 6	V805-000160	4 - 14		

YAMABIKO CORPORATION

7-2 SUEHIROCHO 1-CHOME, OHME, TOKYO 198-8760, JAPAN
PHONE: 81-428-32-6118. FAX: 81-428-32-6145.



shindaiwa[®]

14Eb
No. 06-130