



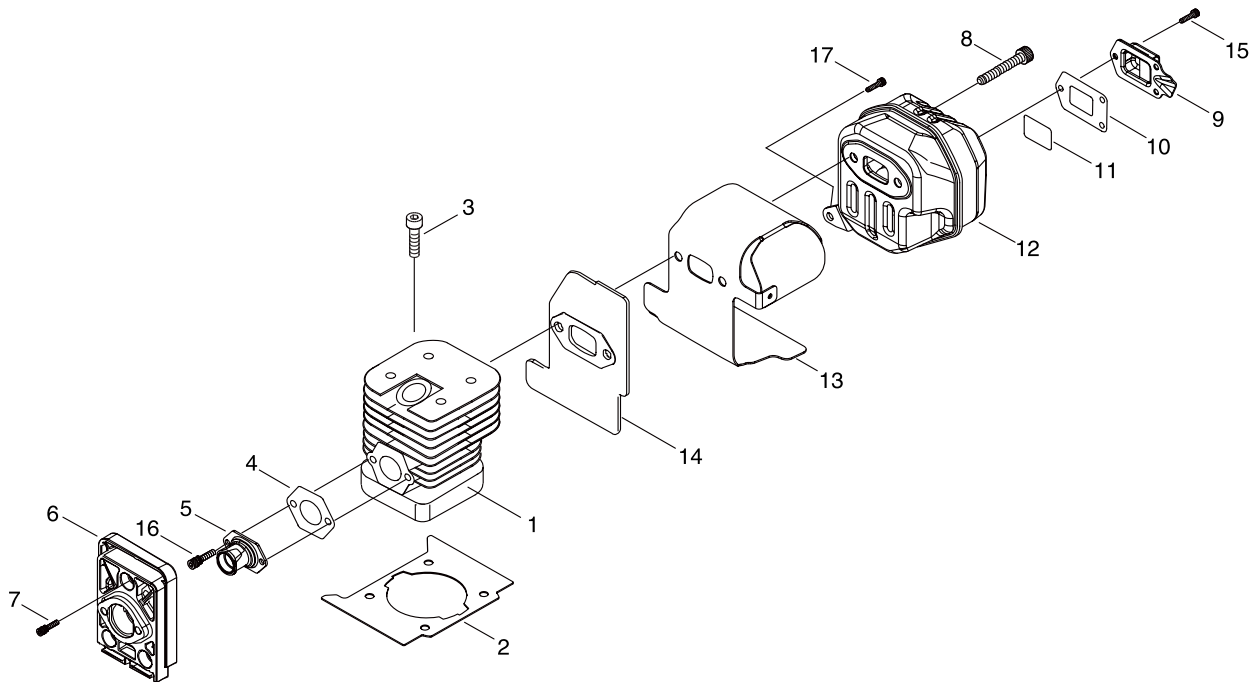
PARTS CATALOG

GRASS-TRIMMER / BRUSHCUTTER

SRM-420TES/L(37)

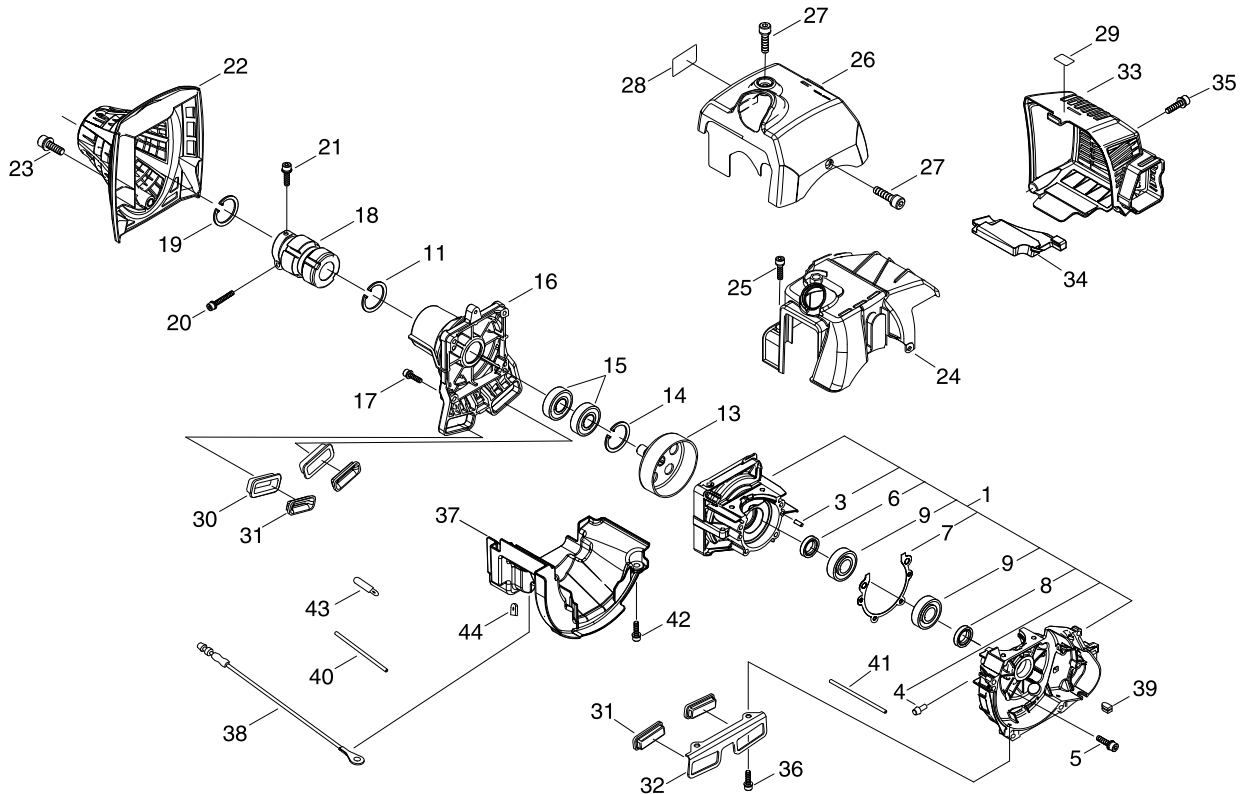
37000001 -

1. CYLINDER, MUFFLER



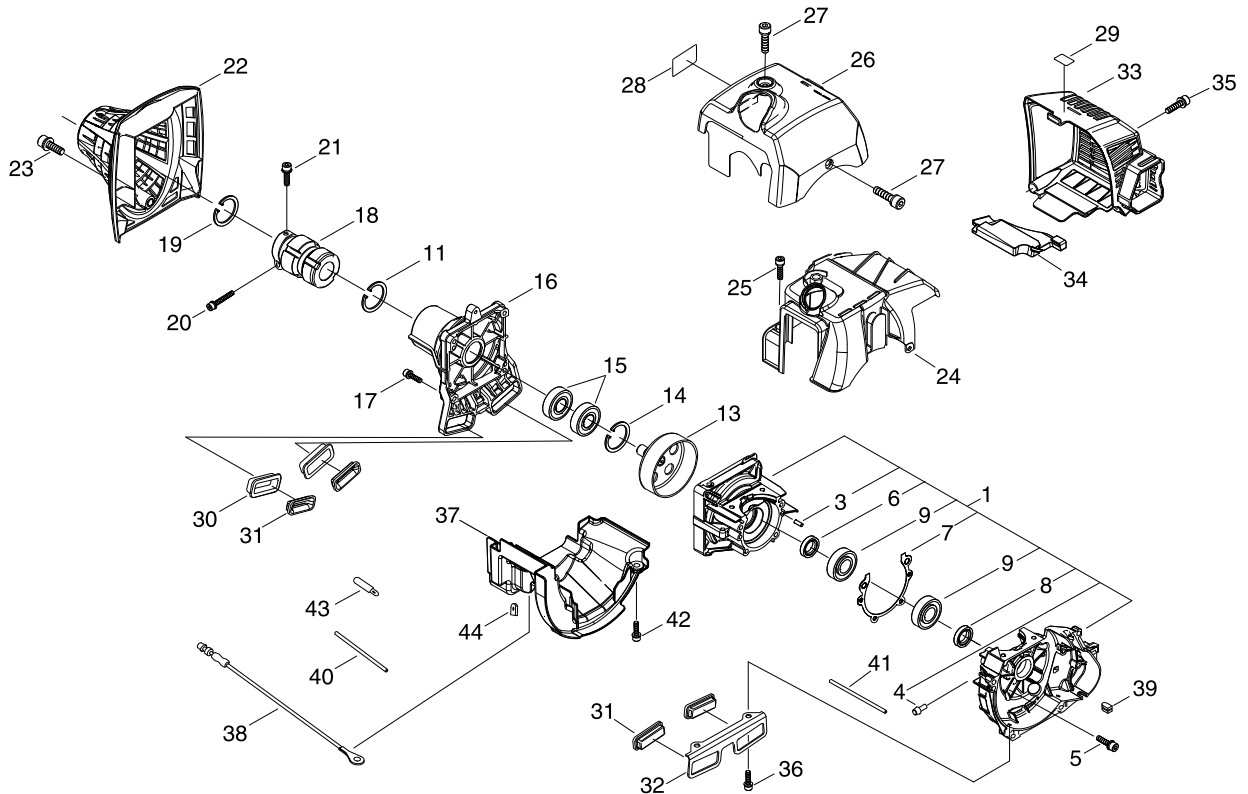
KEY	LV	PART NUMBER	Q'TY	DESCRIPTION	REMARKS	NOTE1	NOTE2
1		A130-002070	1	CYLINDER			
2		V100-000760	1	GASKET,CYL			
3		V805-000210	4	BOLT, TORX 5	TB-5*20 12.9		
4		V103-001620	1	GASKET,INTAKE			
5		A202-000250	1	BELLOWS, INTAKE			
6		A200-000990	1	INSULATOR, INTAKE			
7		V835-000030	3	BOLT, TORX 5	TB-5*20 10.9		
8		V806-000050	2	BOLT, TORX 6	TB-6*20 12.9		
9		A313-001910	1	GUIDE, EXHAUST			
10		V104-002040	1	GASKET,EXHAUST			
11		145862-40630	1	SCREEN, MUFFLER			
12		A300-001700	1	MUFFLER, EXHAUST			
13		V104-002020	1	GASKET,EXHAUST			
14		V104-002030	1	GASKET,EXHAUST			
15		V804-000030	3	BOLT, TORX 4	TB-4*8 10.9		
16		V835-000010	2	BOLT, TORX 5	TB-5*12 10.9		
17		V805-000250	1	BOLT, TORX 5	TB-5*16 12.9		

2. CRANKCASE, FAN COVER



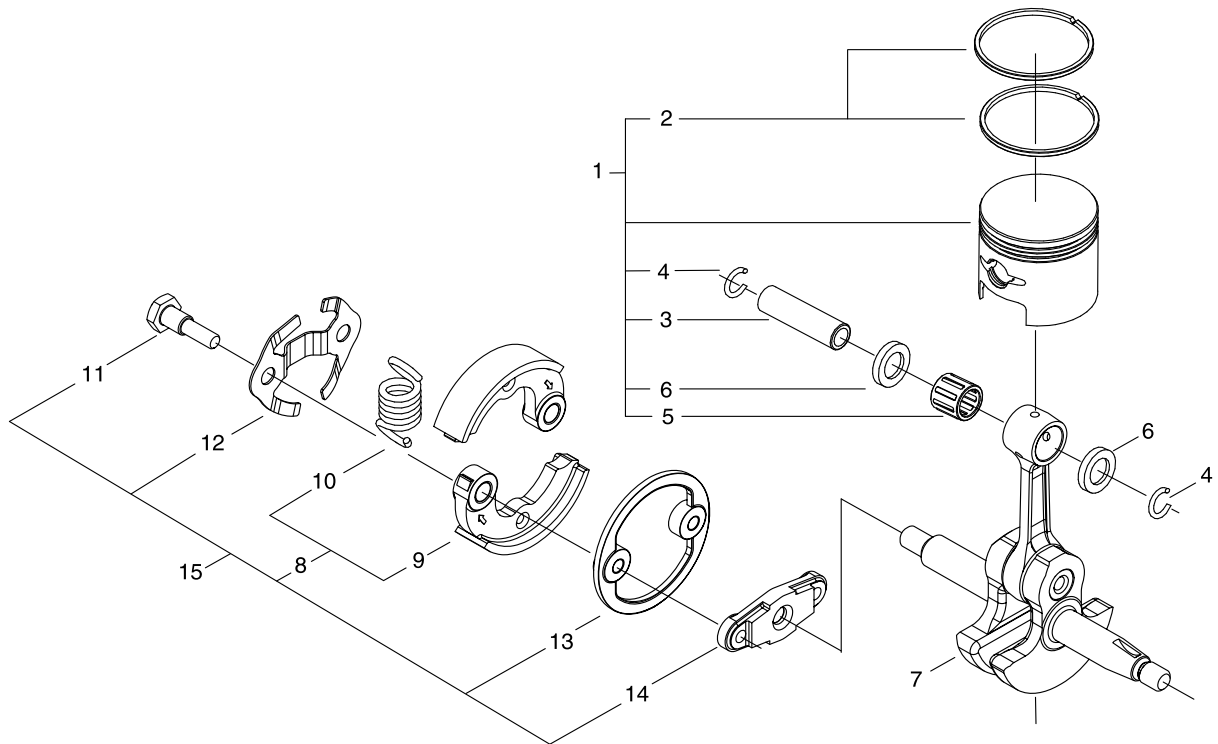
KEY	LV	PART NUMBER	Q'TY	DESCRIPTION	REMARKS	NOTE1	NOTE2
1		P021-041380	1	CRANKCASE SET			
3	+	900330-40080	4	PIN F 4*8	4*8		
4	+	130113-12330	1	CONNECTER			
6	+	V505-000020	1	SEAL,OIL 12	12*22*7		
7	+	V102-000250	1	GASKET,CRANKCASE			
8	+	100213-05530	1	OILSEAL	ISCD 12 22 7		
9	+	900888-36201	2	BEARING, BALL 6201	6201		
5		V805-000290	4	BOLT, TORX 5	TB-5*35 12.9		
11		900701-00012	1	CIRCLIP 12	CS-12		
13		A556-001540	1	DRUM, CLUTCH			
14		900702-00028	1	CIRCLIP 28	CR-28		
15		900807-06001	2	BEARING, BALL 6001	6001V(LB)		
16		A570-000280	1	CASE,CLUTCH			
17		V805-000170	4	BOLT, TORX 5	TB-5*25 10.9		
18		V420-004090	1	CUSHION			
19		900702-00045	1	RING, RETAINING(IN)	CR-45		
20		V805-000170	1	BOLT, TORX 5	TB-5*25 10.9		
21		V805-000140	1	BOLT, TORX 5	TB-5*12 10.9		
22		A580-000011	1	COVER,CLUTCH CASE			
23		V835-000000	2	BOLT, TORX 5			
24		A160-002620	1	COVER,CYLINDER			
25		V835-000000	1	BOLT, TORX 5			
26		A160-002631	1	COVER,CYLINDER			
27		V835-000000	2	BOLT, TORX 5			
28		X547-002380	1	LABEL,ECHO	ECHO+SRM-420TES		

2. CRANKCASE, FAN COVER



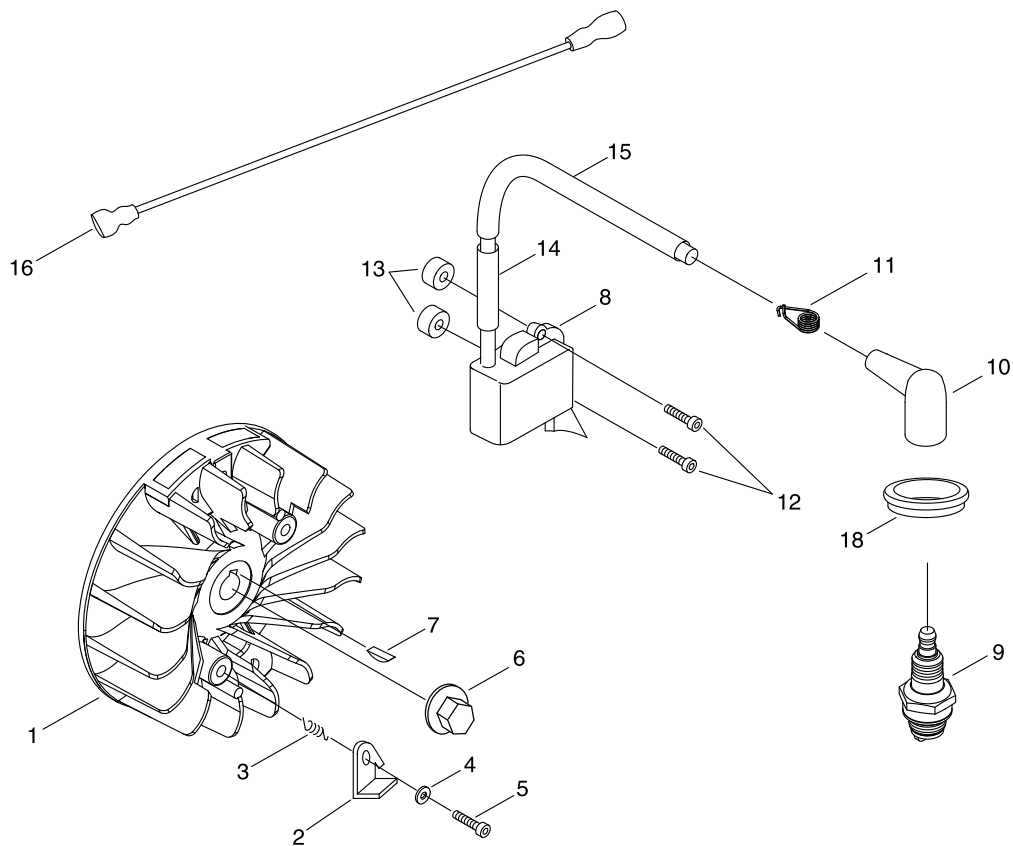
KEY	LV	PART NUMBER	Q'TY	DESCRIPTION	REMARKS	NOTE1	NOTE2
29		X505-002310	1	LABEL,CAUTION	HOT CAUTION		
30		V423-000090	2	HOLDER,CUSHION			
31		131920-61830	4	CUSHION, FUEL TANK			
32		A393-000300	1	BRACKET,FUELLER	T1.5		
33		A320-000970	1	COVER,MUFFLER	SRM-420ES		
34		V541-000540	1	SEAL			
35		V805-000260	2	BOLT, TORX 5	TB5*25 10.9		
36		V805-000150	2	BOLT, TORX 5	TB-5*16 10.9		
37		A209-000740	1	PLATE, INSULATOR			
38		V485-002570	1	LEAD			
39		156114-07320	1	GROMMET			
40		V475-007610	1	TUBE	8*9*114		
41		V471-004040	1	PIPE	3*6*165		
42		V835-000000	2	BOLT, TORX 5			
43		159116-21231	1	CLAMP			
44		156110-04920	1	BUSHING			

3. CRANK SHAFT, PISTON



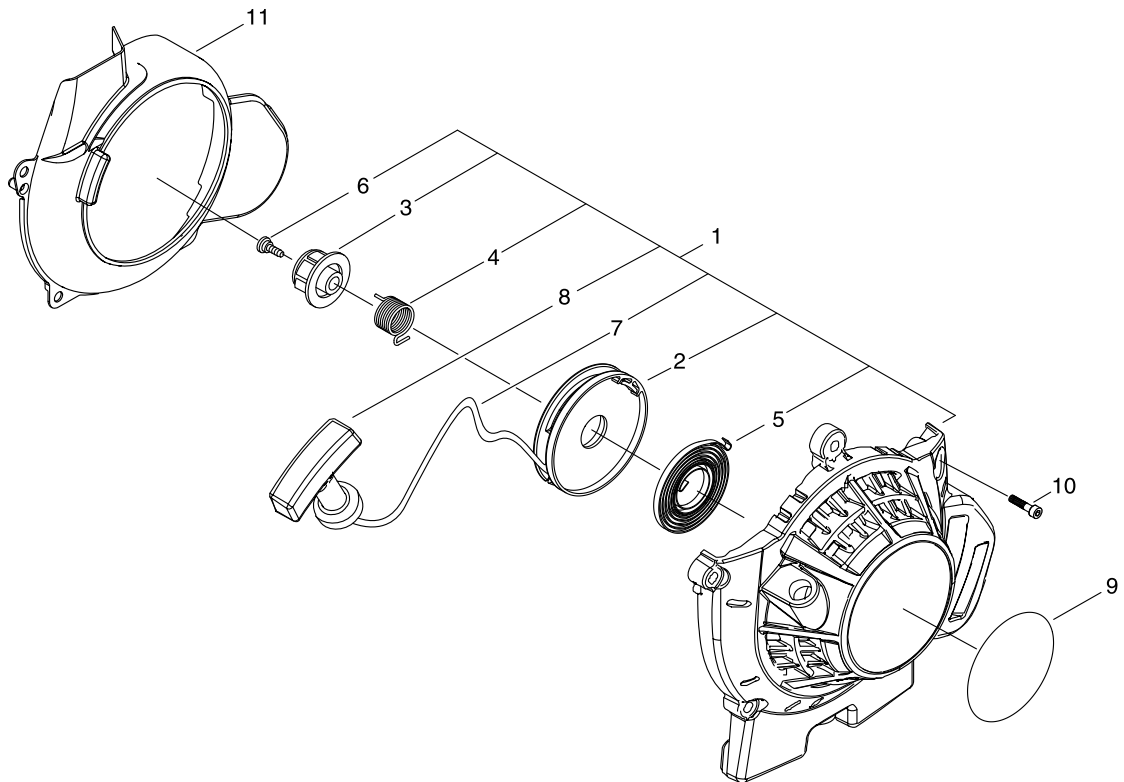
KEY	LV	PART NUMBER	Q'TY	DESCRIPTION	REMARKS	NOTE1	NOTE2
1		P021-041390	1	PISTON KIT			
2	+	A101-000160	2	RING, PISTON	40*B1.5*T1.8		
3	+	V608-000000	1	PIN,ENG 10			
4	+	V580-000010	2	RING,END	10		
5	+	100012-19830	1	BEARING, NEEDLE			
6	+	100014-17330	2	SPACER, PISTON PIN			
7		A011-001230	1	CRANKSHAFT,ASY			
15		P021-041140	1	CLUTCH ASY			
8	+	P021-041130	1	CLUTCH SHOE SET			
9	++	A553-000170	2	ARM, CLUTCH			
10	++	A566-000230	1	SPRING, CLUTCH			
11	+	A557-000190	2	SHAFT, CLUTCH			
12	+	V453-000230	1	SPRING,FLAT			
13	+	V376-001980	1	SPACER			
14	+	A552-000390	1	HUB, CLUTCH			

4. MAGNETO



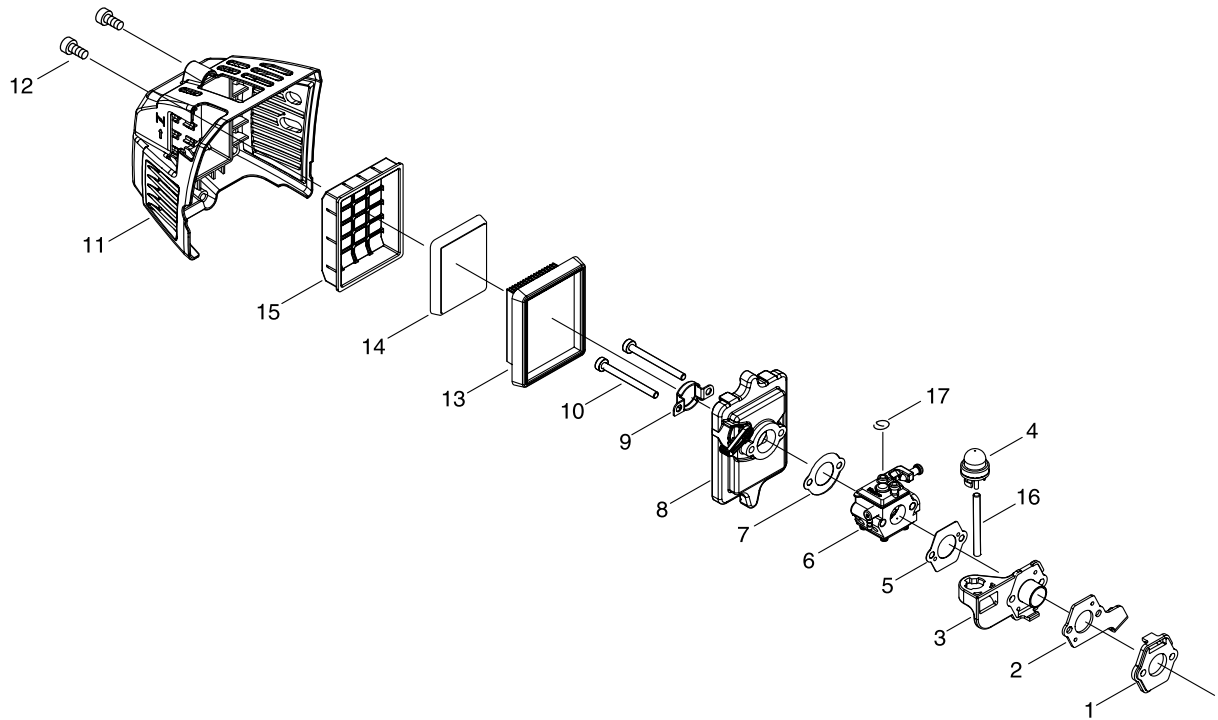
KEY	LV	PART NUMBER	Q'TY	DESCRIPTION	REMARKS	NOTE1	NOTE2
1		A409-001210	1	ROTOR, MAGNETO			
2		A514-000280	2	PAWL			
3		V452-001470	2	SPRING, TORSION			
4		177247-04630	2	SPACER, RATCHET	5.2*8*2.1		
5		V805-000140	2	BOLT, TORX 5	TB-5*12 10.9		
6		92105-08000	1	NUT, FLANGE	M8*1.25 L		
7		100142-12330	1	KEY, WOODRUFF			
8		A411-001370	1	COIL, IGNITION			
9		A425-000000	1	SPARKPLUG	BPMR8Y		
10		A427-000060	1	CAP, SPARK PLUG			
11		A426-000010	1	TERMINAL, SPARKPLUG			
12		V805-000150	2	BOLT, TORX 5	TB-5*16 10.9		
13		V353-000630	2	COLLAR, 5			
14		V475-007540	1	TUBE			
15		V475-007550	1	TUBE			
16		V485-002331	1	LEAD			
18		A429-000090	1	COVER, CAP			

5. RECOIL STARTER



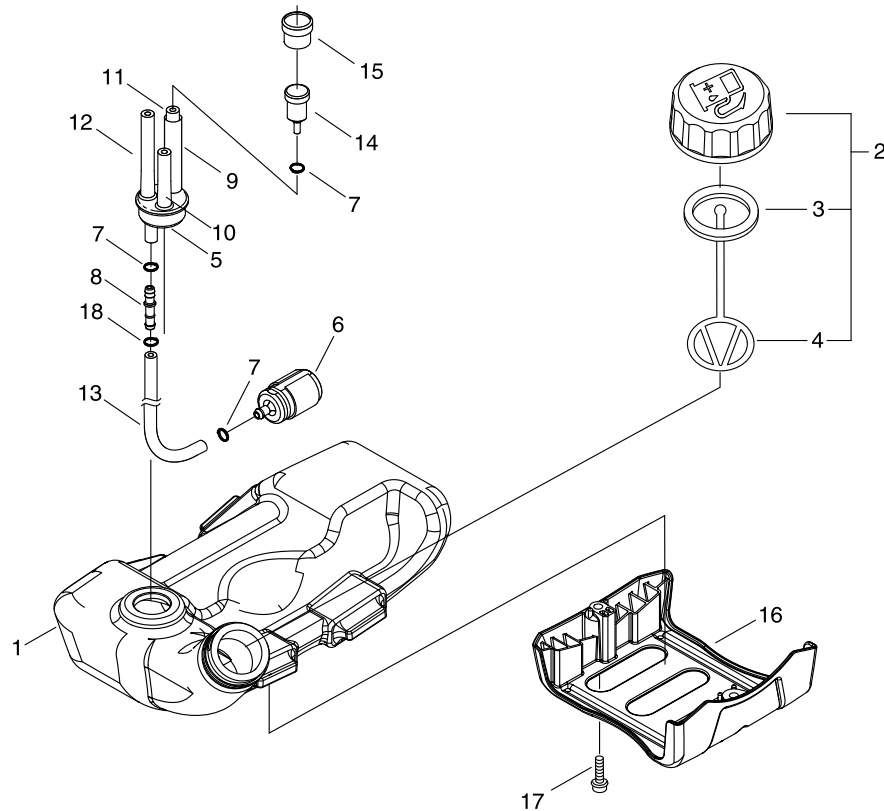
KEY	LV	PART NUMBER	Q'TY	DESCRIPTION	REMARKS	NOTE1	NOTE2
1		A051-002630	1	STARTER,RECOIL ASY			
2	+	P022-023140	1	DRUM, STARTER			
3	+	P022-033830	1	CAM			
4	+	P022-023120	1	SPRING,DAMPER			
5	+	P022-004680	1	SPRING, SPIRAL			
6	+	P022-023110	1	SCREW			
7	+	P022-023100	1	ROPE, STARTER			
8	+	177228-27030	1	GRIP, STARTER			
9		X502-000900	1	LABEL,ECHO			
10		V835-000030	4	BOLT, TORX 5	TB-5*20 10.9		
11		A172-002240	1	COVER,FAN			

6. AIR CLEANER



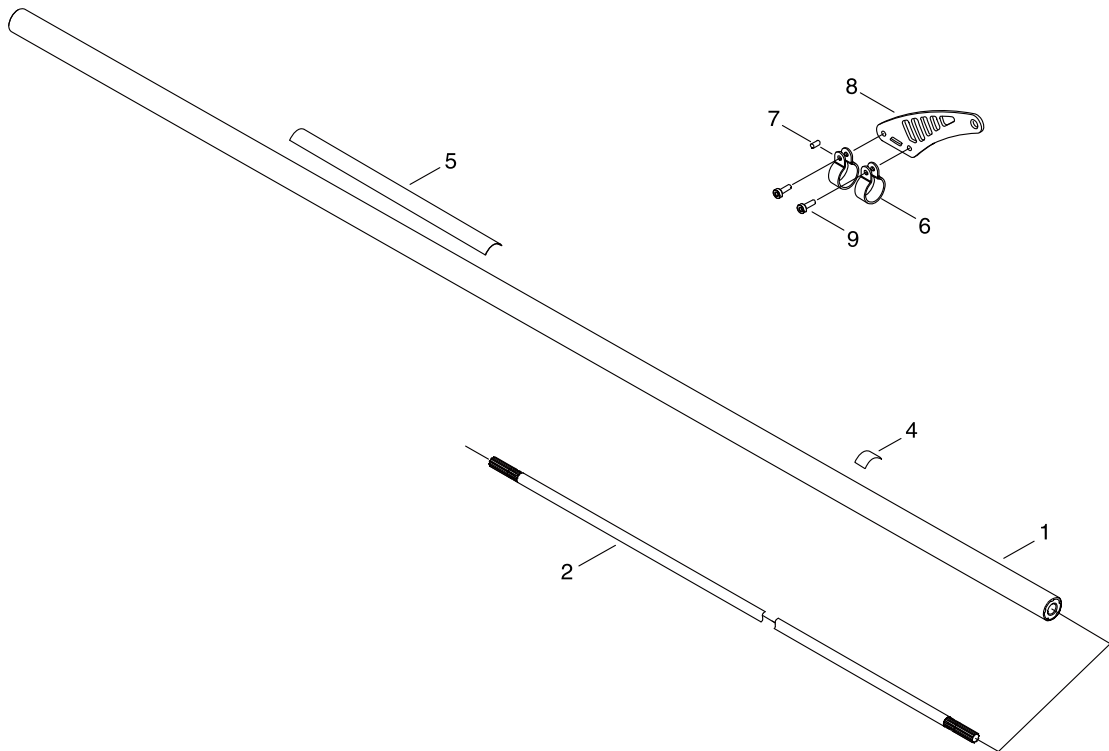
KEY	LV	PART NUMBER	Q'TY	DESCRIPTION	REMARKS	NOTE1	NOTE2
1		A209-000720	1	PLATE, INSULATOR			
2		C487-000410	1	HOLDER, CABLE			
3		A209-000730	1	PLATE, INSULATOR			
4		123181-39130	1	PUMP, PRIMER			
5		V103-001610	1	GASKET, INTAKE			
6		A021-003840	1	CARBURETOR, DIAPHRAGM	WT-		
7		V103-000471	1	GASKET, INTAKE	T0.5		
8		P021-041410	1	CLEANER CASE ASY			
9		A244-000290	1	PLATE, PREVENT			
10		V805-000100	2	BOLT, TORX 5	TB-5*65 10.9		
11		A232-001620	1	LID, CLEANER			
12		V253-000100	2	SCREW, 5	5*20		
13		A226-001730	1	ELEMENT, AIR FILTER			
14		A226-001740	1	ELEMENT, AIR FILTER			
15		A227-000040	1	PLATE, ELEMENT			
16		V471-004050	1	PIPE	2.4*5*115		
17		V490-000440	1	CLIP			

7. FUEL TANK



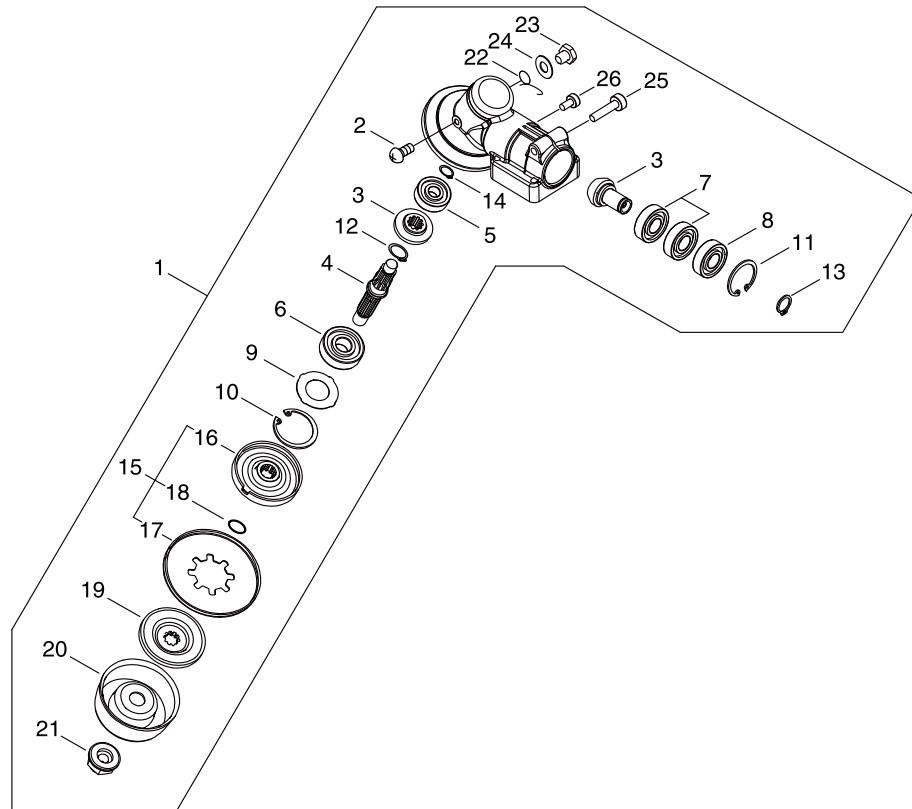
KEY	LV	PART NUMBER	Q'TY	DESCRIPTION	REMARKS	NOTE1	NOTE2
1		A350-002020	1	TANK, FUEL			
2		P021-012210	1	CAP, FUEL ASY			
3	+	131016-55830	1	GASKET, FUEL CAP			
4	+	A365-000060	1	CONNECTOR, CAP	L=123		
5		132115-55930	1	GROMMET, FUEL			
6		A369-000001	1	STRAINER, FUEL	125-528		
7		V490-001240	3	CLIP			
8		V186-000510	1	JOINT, PIPE			
9		V475-007610	1	TUBE	8*9*114		
10		V471-003950	1	PIPE			
11		130110-16430	1	PIPE, IMPULSE	3*6*140L		
12		V471-002310	1	PIPE	3*6*130		
13		V470-000840	1	PIPE			
14		131300-56431	1	VENT ASSEMBLY, FUEL			
15		131328-40630	1	COVER, VENT			
16		A175-000330	1	STAND			
17		V835-000000	2	BOLT, TORX 5			
18		130111-00530	1	CLIP	5.5		

8. MAIN PIPE



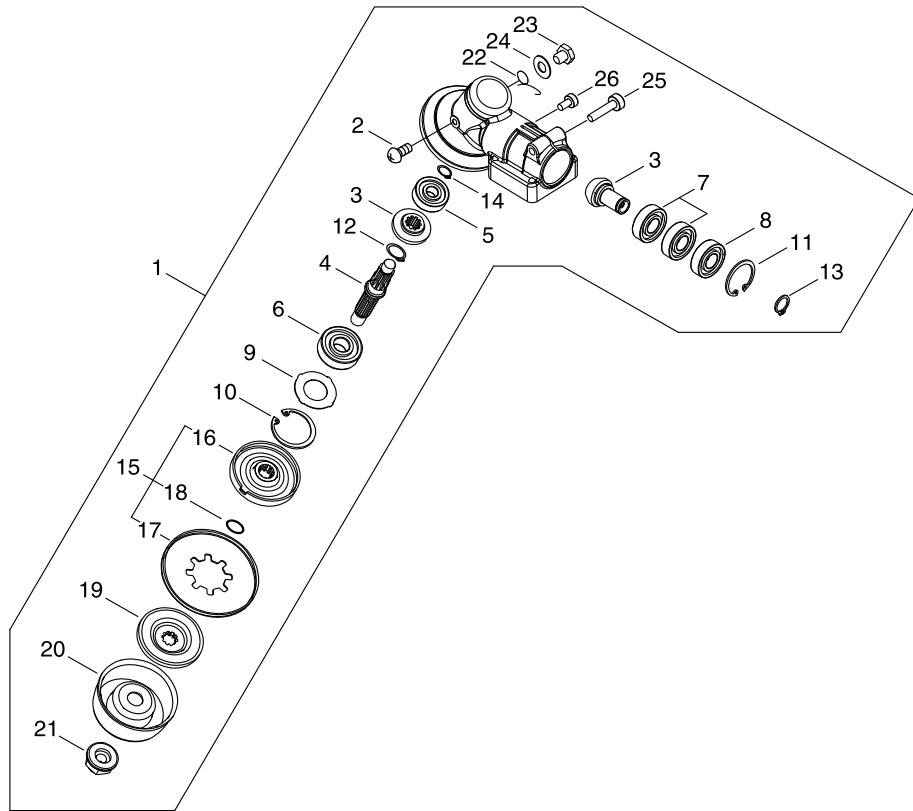
KEY	LV	PART NUMBER	Q'TY	DESCRIPTION	REMARKS	NOTE1	NOTE2
1		C050-002430	1	PIPE, MAIN			
2		610011-49931	1	SHAFT, DRIVE			
4		890152-04930	1	LABEL, CAUTION			
5		890617-43130	1	LABEL, CAUTION			
6		301207-07531	2	HOOK			
7		V353-000090	2	COLLAR, 5			
8		C624-000090	1	HANGER, HARNESS			
9		V805-000160	2	BOLT, TORX 5	TB-5*20 10.9		

9. GEAR CASE

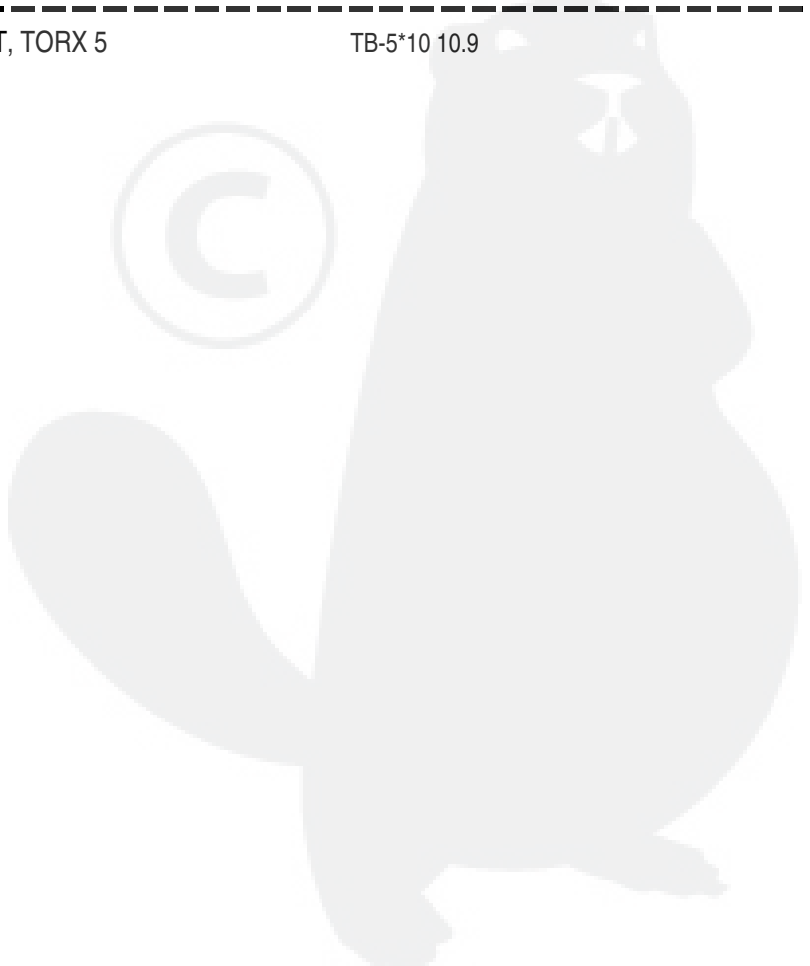
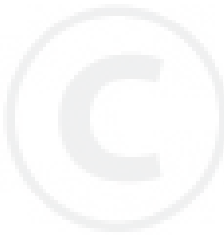


KEY	LV	PART NUMBER	Q'TY	DESCRIPTION	REMARKS	NOTE1	NOTE2
1		P021-043970	1	CASE,GEAR			
2	+	900220-04006	1	SCREW 4*6	4*6		
3	+	V000-000190	1	GEAR SET, BEVEL			
4	+	C534-000940	1	SHAFT, GEAR	ハイトルク M10		
5	+	900810-00629	1	BEARING, BALL 629			
6	+	900812-06302	1	BEARING, BALL	BB6302 LLU,DDU		
7	+	900800-06001	2	BEARING, BALL 6001			
8	+	900803-06001	1	BEARING, BALL 6001			
9	+	V313-000090	1	WASHER,CIRCULAR 20			
10	+	900702-00042	1	CIRCLIP 42	CR-42		
11	+	900702-00028	1	CIRCLIP 28	CR-28		
12	+	900706-00012	1	CIRCLIP 12	WR-12		
13	+	900701-00012	1	CIRCLIP 12	CS-12		
14	+	900701-00009	1	CIRCLIP 9	CS-9		
15	+	C535-000920	1	FIXTURE, BLADE			
16	++	C535-000930	1	FIXTURE, BLADE			
17	++	610352-56830	1	PLATE, CUP			
18	++	900720-00012	1	O-RING 12	P-12		
19	+	610314-52130	1	PLATE, ADAPTER (L)			
20	+	699229-56830	1	PLATE, COVER			
21	+	610320-52130	1	NUT 10			
22	+	V452-001310	1	SPRING,TORSION			
23	+	610434-50031	1	BOLT 8* 8	M8*8		
24	+	900603-50008	1	WASHER	8.5*18*0.8T		
25	+	V806-000100	1	BOLT, TORX 6	TB-6*30 10.9		

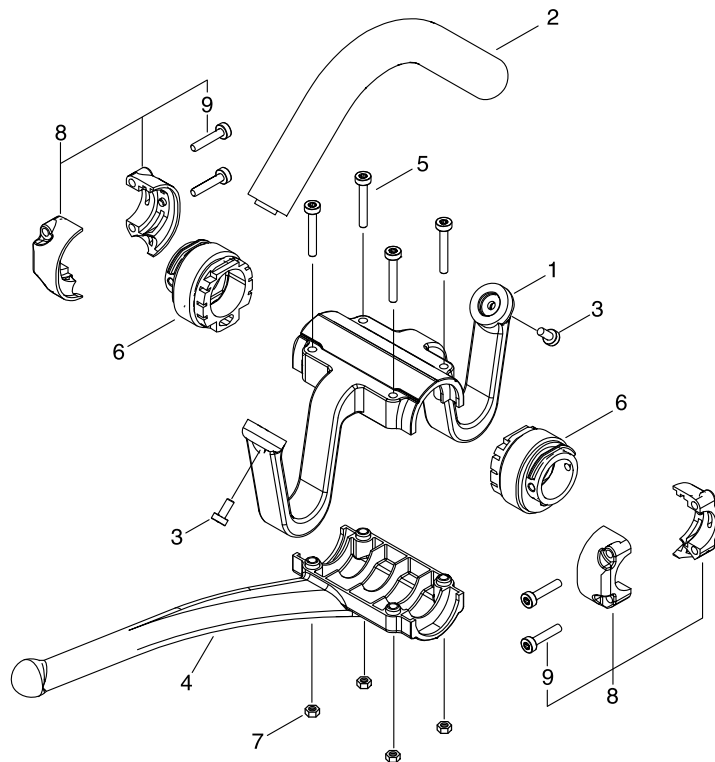
9. GEAR CASE



KEY	LV	PART NUMBER	Q'TY	DESCRIPTION	REMARKS	NOTE1	NOTE2
26	+	V805-000130	1	BOLT, TORX 5	TB-5*10 10.9		

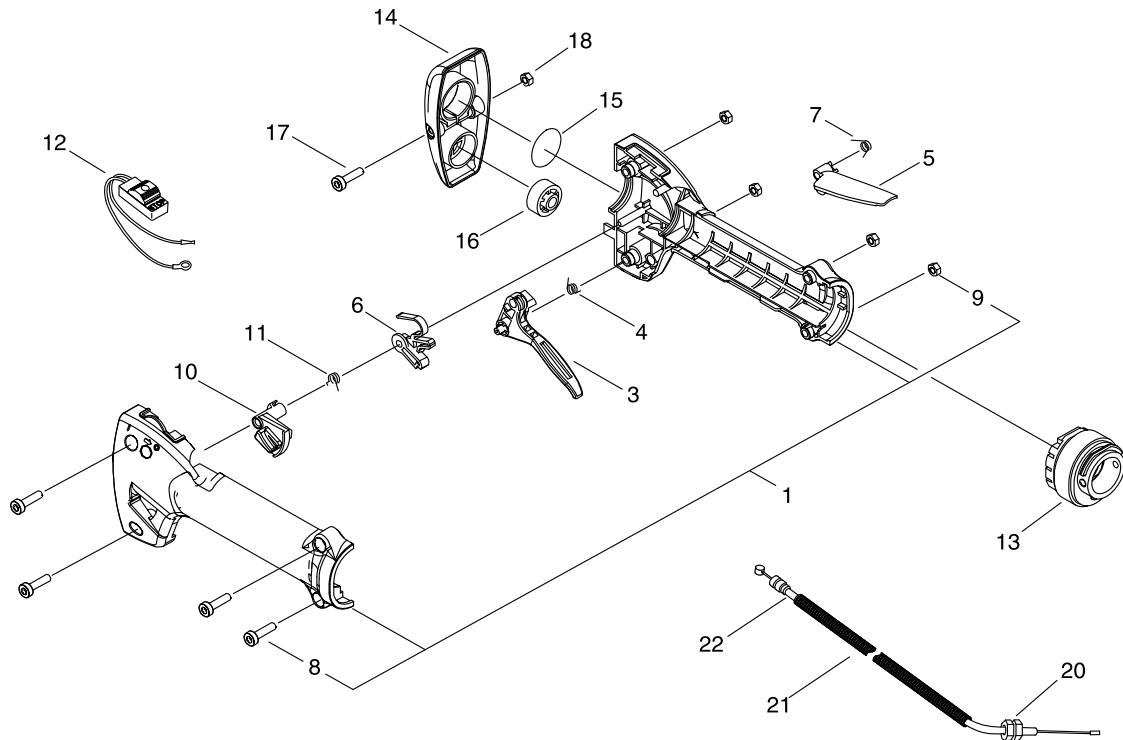


10. HANDLE



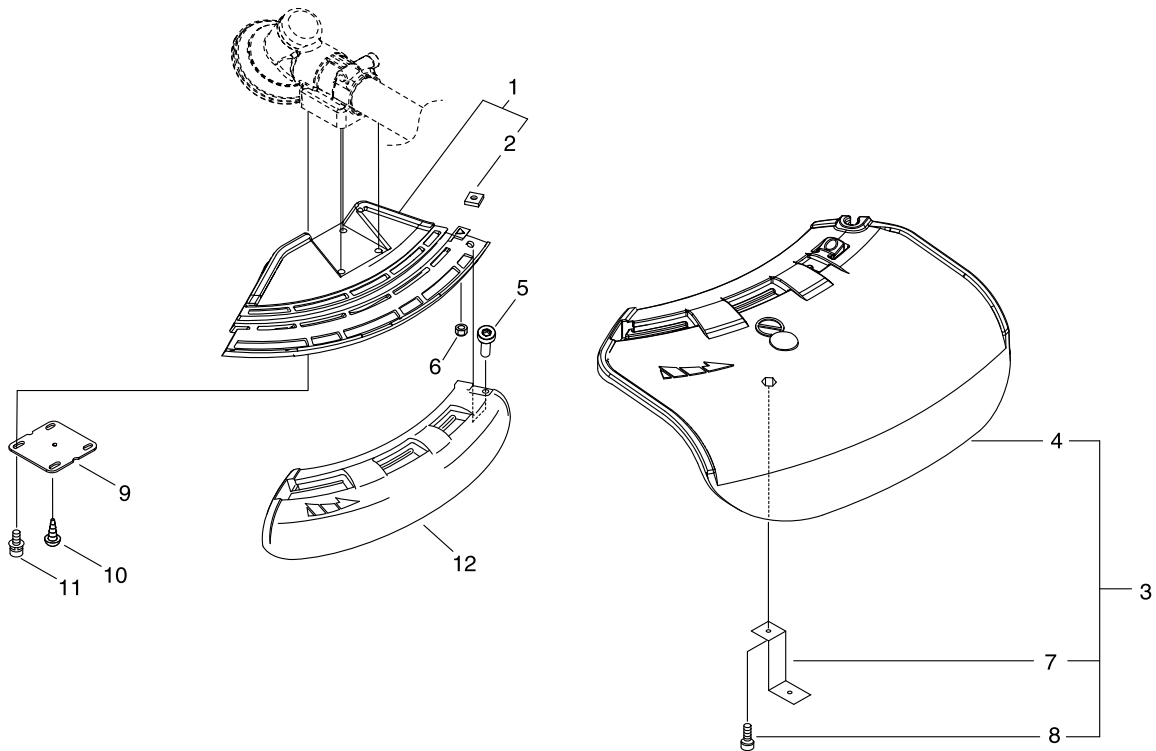
KEY	LV	PART NUMBER	Q'TY	DESCRIPTION	REMARKS	NOTE1	NOTE2
1		C405-000270	1	BRACKET,HANDLE			
2		351205-07131	1	HANDLE			
3		V805-000140	2	BOLT, TORX 5	TB-5*12 10.9		
4		C405-000160	1	BRACKET,HANDLE			
5		V805-000060	4	BOLT, TORX 5	TB-5*35 10.9		
6		V420-001061	2	CUSHION			
7		900500-00005	4	NUT 5	5		
8		P021-012640	2	BRACKET ASM., HANDLE			
9	+	V805-000170	4	BOLT, TORX 5	TB-5*25 10.9		

11. THROTTLE



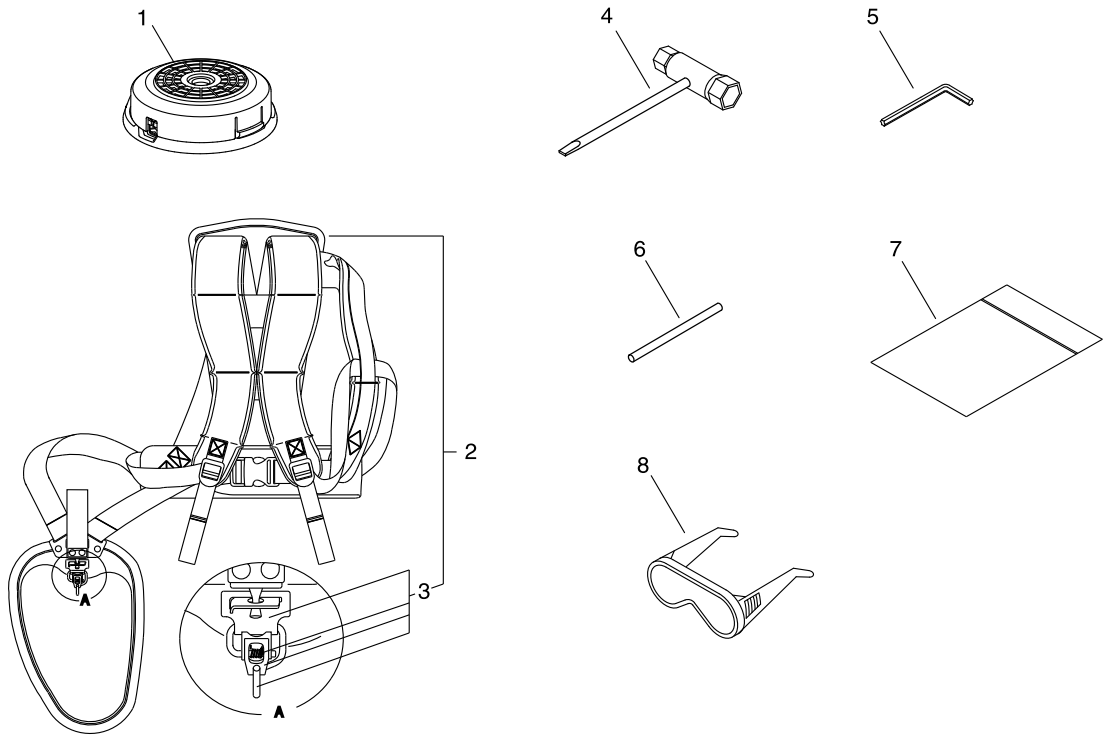
KEY	LV	PART NUMBER	Q'TY	DESCRIPTION	REMARKS	NOTE1	NOTE2
1		P021-043000	1	GRIP ASY,HANDLE			
8	+	V805-000160	4	BOLT, TORX 5	TB-5*20 10.9		
9	+	900500-00005	4	NUT 5	5		
3		C450-000110	1	TRIGGER,THROTTLE			
4		V452-000200	1	SPRING,TORSION			
5		178090-52632	1	LOCKOUT, T. CONTROL			
6		C461-000000	1	LATCH,THROTTLE			
7		178013-52630	1	SPRING, THR. LOCK			
10		C461-000010	1	LATCH,THROTTLE			
11		V452-000120	1	SPRING,TORSION			
12		A440-002240	1	SWITCH, ON OFF			
13		V420-001061	1	CUSHION			
14		C423-000340	1	FIXTURE, HANDLE	28		
15		900720-00029	1	O-RING 29	P-29		
16		V420-001720	1	CUSHION			
17		V805-000070	1	BOLT, TORX 5	TB-5*40 10.9		
18		900500-00005	1	NUT 5	5		
20		900502-00006	2	NUT 6 (3N)	3N6		
21		178127-40630	1	TUBE 10*11*205L	10*11*205L		
22		V430-004230	1	CABLE,BOWDEN			

12. SHIELD



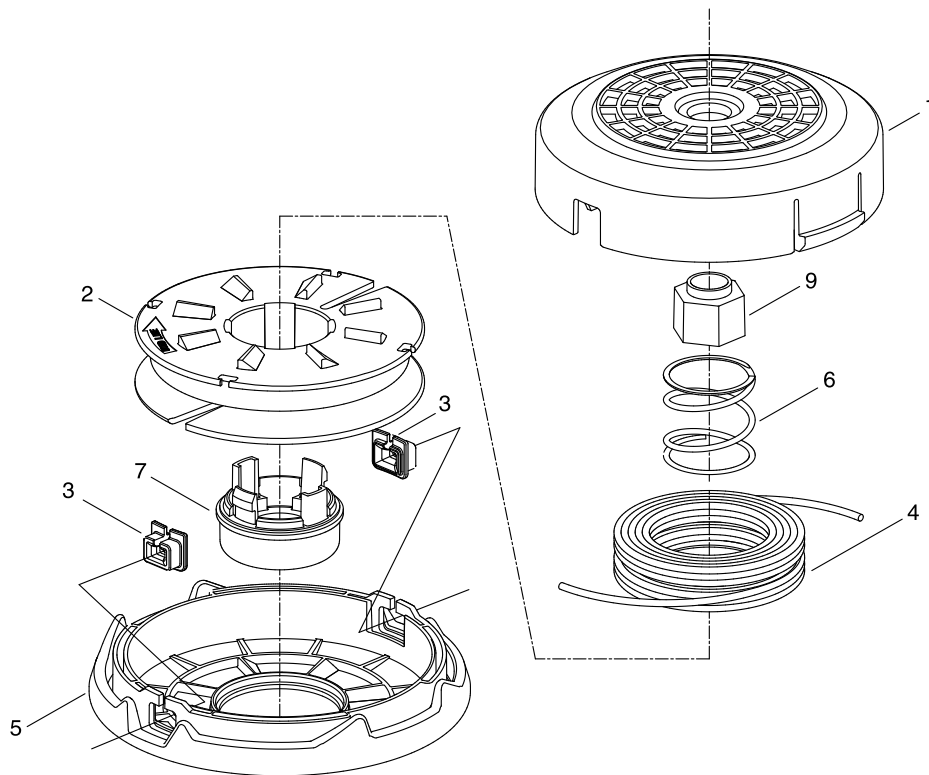
KEY	LV	PART NUMBER	Q'TY	DESCRIPTION	REMARKS	NOTE1	NOTE2
1		C550-000511	1	SHIELD, BLADE			
2	+	900565-00005	1	NUT	5		
3		P021-043980	1	SHIELD ASY, BLADE			
4	+	C550-000650	1	SHIELD, BLADE			
7	+	C554-000000	1	KNIFE, CORD			
8	+	V805-000150	1	BOLT, TORX 5	TB-5*16 10.9		
5		V805-000170	1	BOLT, TORX 5	TB-5*25 10.9		
6		900562-00005	1	NUT, LOCK	5		
9		C552-000200	1	PLATE, SHIELD			
10		91316-04010	1	SCREW	M4*10		
11		V805-000260	4	BOLT, TORX 5	TB5*25 10.9		
12		C550-000541	1	SHIELD, BLADE			

13. ACCESSORIES



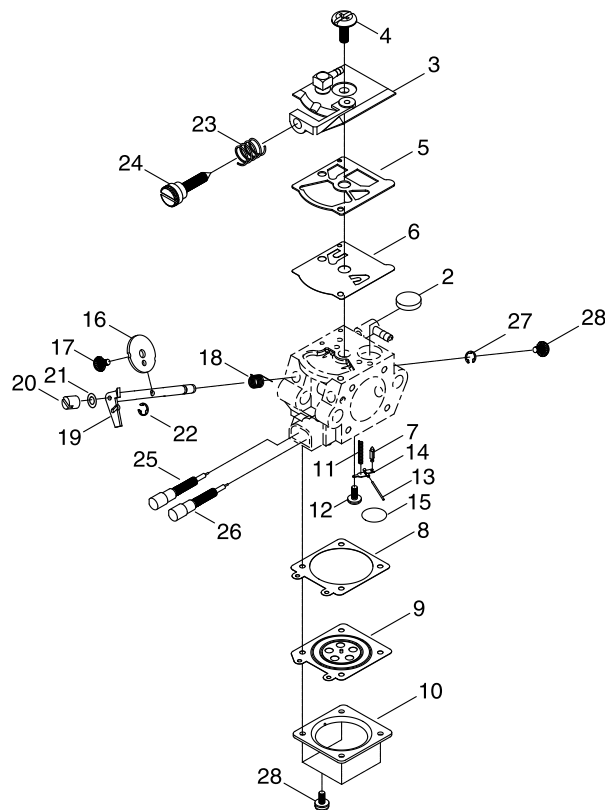
KEY	LV	PART NUMBER	Q'TY	DESCRIPTION	REMARKS	NOTE1	NOTE2
1		X047-001070	1	CUTTER,ASM LINE	B6 M10L		
2		C062-000511	1	HARNESS, SHOULDER			
3	+	P021-041300	1	HOOK ASSY			
4		X602-000020	1	TOOL,WRENCH	17*19 L200		
5		X605-000170	1	TOOL,L WRENCH			
6		X606-000080	1	TOOL,BAR	5*120		
7		898510-07130	1	BAG, TOOL			
8		X690-000080	1	GOGGLE	SI CHINA, Z87.1		

14. NYLON LINE CUTTER



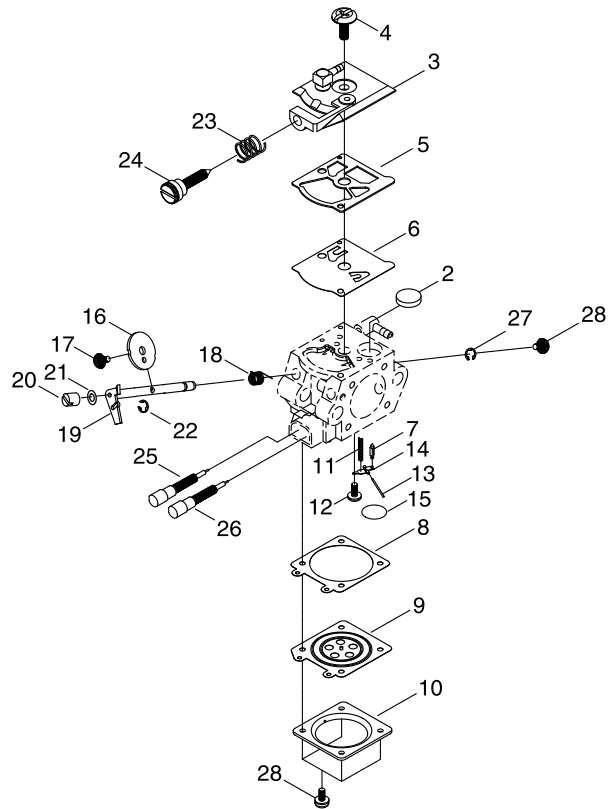
KEY	LV	PART NUMBER	Q'TY	DESCRIPTION	REMARKS	NOTE1	NOTE2
		X047-001070	1	CUTTER,ASM LINE	B6 M10L		
1	+	P022-024670	1	CASE			
2	+	P022-024660	1	LINE HOLDER			
3	+	P022-000710	2	EYELET			
4	+	P022-035370	1	NYLON LINE			
5	+	P022-024640	1	COVER			
6	+	P022-035500	1	SPRING			
7	+	P022-024620	1	KNOB			
9	+	P022-023180	1	NUT			

15. CARBURETOR



KEY	LV	PART NUMBER	Q'TY	DESCRIPTION	REMARKS	NOTE1	NOTE2
		A021-003840	1	CARBURETOR,DIAPHRAGM	WT-		
2	+	123126-10631	1	SCREEN, INLET			
3	+	P003-003930	1	COVER, FUEL PUMP			
4	+	123110-03930	1	SCREW, PUMP COVER			
5	+	123125-15030	1	GASKET, FUEL PUMP			
6	+	P003-001930	1	DIAPHRAGM			
7	+	123137-19830	1	VALVE, INLET NEEDLE			
8	+	123140-03930	1	GASKET, M. DIAPHRAGM			
9	+	P003-001850	1	DIAPHRAGM, METERING			
10	+	123142-03930	1	COVER, M. DIAPHRAGM			
11	+	123122-03660	1	SPRING, METER. LEVER			
12	+	123139-03930	1	SCREW, M. LEVER PIN			
13	+	123138-03930	1	PIN, METERING LEVER			
14	+	123123-03930	1	LEVER, METERING			
15	+	123146-10631	1	PLUG, WELCH			
16	+	123116-05960	1	VALVE, THROTTLE			
17	+	P003-002380	1	SCREW			
18	+	123113-47530	1	SPRING, THR. RTN.			
19	+	P003-005020	1	SHAFT ASM THROTTLE			
20	+	123172-26030	1	SWIVEL			
21	+	123149-54230	1	WASHER			
22	+	123127-10630	1	RETAINING, SPRING			
23	+	123133-04260	1	SPRING, IDLE ADJUST			
24	+	123134-04260	1	SCREW, IDLE ADJUST			
25	+	P003-004460	1	NEEDLE			
26	+	P003-002270	1	NEEDLE			

15. CARBURETOR



KEY	LV	PART NUMBER	Q'TY	DESCRIPTION	REMARKS	NOTE1	NOTE2
27	+	123127-03930	1	CLIP, THROTTLE SHAFT			
28	+	123130-02960	5	SCREW			

Index

Patrs Number	Key No.	Patrs Number	Key No.	Patrs Number	Key No.
100012-19830	3 - 5	699229-56830	9 - 20	A232-001620	6 - 11
100014-17330	3 - 6	890152-04930	8 - 4	A244-000290	6 - 9
100142-12330	4 - 7	890617-43130	8 - 5	A300-001700	1 - 12
100213-05530	2 - 8	898510-07130	13 - 7	A313-001910	1 - 9
123110-03930	15 - 4	900220-04006	9 - 2	A320-000970	2 - 33
123113-47530	15 - 18	900330-40080	2 - 3	A350-002020	7 - 1
123116-05960	15 - 16	900500-00005	10 - 7	A365-000060	7 - 4
123122-03660	15 - 11	900500-00005	11 - 9	A369-000001	7 - 6
123123-03930	15 - 14	900500-00005	11 - 18	A393-000300	2 - 32
123125-15030	15 - 5	900502-00006	11 - 20	A409-001210	4 - 1
123126-10631	15 - 2	900562-00005	12 - 6	A411-001370	4 - 8
123127-03930	15 - 27	900565-00005	12 - 2	A425-000000	4 - 9
123127-10630	15 - 22	900603-50008	9 - 24	A426-000010	4 - 11
123130-02960	15 - 28	900701-00009	9 - 14	A427-000060	4 - 10
123133-04260	15 - 23	900701-00012	2 - 11	A429-000090	4 - 18
123134-04260	15 - 24	900701-00012	9 - 13	A440-002240	11 - 12
123137-19830	15 - 7	900702-00028	2 - 14	A514-000280	4 - 2
123138-03930	15 - 13	900702-00028	9 - 11	A552-000390	3 - 14
123139-03930	15 - 12	900702-00042	9 - 10	A553-000170	3 - 9
123140-03930	15 - 8	900702-00045	2 - 19	A556-001540	2 - 13
123142-03930	15 - 10	900706-00012	9 - 12	A557-000190	3 - 11
123146-10631	15 - 15	900720-00012	9 - 18	A566-000230	3 - 10
123149-54230	15 - 21	900720-00029	11 - 15	A570-000280	2 - 16
123172-26030	15 - 20	900800-06001	9 - 7	A580-000011	2 - 22
123181-39130	6 - 4	900803-06001	9 - 8	C050-002430	8 - 1
130110-16430	7 - 11	900807-06001	2 - 15	C062-000511	13 - 2
130111-00530	7 - 18	900810-00629	9 - 5	C405-000160	10 - 4
130113-12330	2 - 4	900812-06302	9 - 6	C405-000270	10 - 1
131016-55830	7 - 3	900888-36201	2 - 9	C423-000340	11 - 14
131300-56431	7 - 14	91316-04010	12 - 10	C450-000110	11 - 3
131328-40630	7 - 15	92105-08000	4 - 6	C461-000000	11 - 6
131920-61830	2 - 31	A011-001230	3 - 7	C461-000010	11 - 10
132115-55930	7 - 5	A021-003840	6 - 6	C487-000410	6 - 2
145862-40630	1 - 11	A021-003840	15 -	C534-000940	9 - 4
156110-04920	2 - 44	A051-002630	5 - 1	C535-000920	9 - 15
156114-07320	2 - 39	A101-000160	3 - 2	C535-000930	9 - 16
159116-21231	2 - 43	A130-002070	1 - 1	C550-000511	12 - 1
177228-27030	5 - 8	A160-002620	2 - 24	C550-000541	12 - 12
177247-04630	4 - 4	A160-002631	2 - 26	C550-000650	12 - 4
178013-52630	11 - 7	A172-002240	5 - 11	C552-000200	12 - 9
178090-52632	11 - 5	A175-000330	7 - 16	C554-000000	12 - 7
178127-40630	11 - 21	A200-000990	1 - 6	C624-000090	8 - 8
301207-07531	8 - 6	A202-000250	1 - 5	P003-001850	15 - 9
351205-07131	10 - 2	A209-000720	6 - 1	P003-001930	15 - 6
610011-49931	8 - 2	A209-000730	6 - 3	P003-002270	15 - 26
610314-52130	9 - 19	A209-000740	2 - 37	P003-002380	15 - 17
610320-52130	9 - 21	A226-001730	6 - 13	P003-003930	15 - 3
610352-56830	9 - 17	A226-001740	6 - 14	P003-004460	15 - 25
610434-50031	9 - 23	A227-000040	6 - 15	P003-005020	15 - 19

Index

Patrs Number	Key No.	Patrs Number	Key No.	Patrs Number	Key No.
P021-012210	7 - 2	V452-001470	4 - 3	V835-000030	1 - 7
P021-012640	10 - 8	V453-000230	3 - 12	V835-000030	5 - 10
P021-041130	3 - 8	V470-000840	7 - 13	X047-001070	13 - 1
P021-041140	3 - 15	V471-002310	7 - 12	X047-001070	14 -
P021-041300	13 - 3	V471-003950	7 - 10	X502-000900	5 - 9
P021-041380	2 - 1	V471-004040	2 - 41	X505-002310	2 - 29
P021-041390	3 - 1	V471-004050	6 - 16	X547-002380	2 - 28
P021-041410	6 - 8	V475-007540	4 - 14	X602-000020	13 - 4
P021-043000	11 - 1	V475-007550	4 - 15	X605-000170	13 - 5
P021-043970	9 - 1	V475-007610	2 - 40	X606-000080	13 - 6
P021-043980	12 - 3	V475-007610	7 - 9	X690-000080	13 - 8
P022-000710	14 - 3	V485-002331	4 - 16		
P022-004680	5 - 5	V485-002570	2 - 38		
P022-023100	5 - 7	V490-000440	6 - 17		
P022-023110	5 - 6	V490-001240	7 - 7		
P022-023120	5 - 4	V505-000020	2 - 6		
P022-023140	5 - 2	V541-000540	2 - 34		
P022-023180	14 - 9	V580-000010	3 - 4		
P022-024620	14 - 7	V608-000000	3 - 3		
P022-024640	14 - 5	V804-000030	1 - 15		
P022-024660	14 - 2	V805-000060	10 - 5		
P022-024670	14 - 1	V805-000070	11 - 17		
P022-033830	5 - 3	V805-000100	6 - 10		
P022-035370	14 - 4	V805-000130	9 - 26		
P022-035500	14 - 6	V805-000140	2 - 21		
V000-000190	9 - 3	V805-000140	4 - 5		
V100-000760	1 - 2	V805-000140	10 - 3		
V102-000250	2 - 7	V805-000150	2 - 36		
V103-000471	6 - 7	V805-000150	4 - 12		
V103-001610	6 - 5	V805-000150	12 - 8		
V103-001620	1 - 4	V805-000160	8 - 9		
V104-002020	1 - 13	V805-000160	11 - 8		
V104-002030	1 - 14	V805-000170	2 - 17		
V104-002040	1 - 10	V805-000170	2 - 20		
V186-000510	7 - 8	V805-000170	10 - 9		
V253-000100	6 - 12	V805-000170	12 - 5		
V313-000090	9 - 9	V805-000210	1 - 3		
V353-000090	8 - 7	V805-000250	1 - 17		
V353-000630	4 - 13	V805-000260	2 - 35		
V376-001980	3 - 13	V805-000260	12 - 11		
V420-001061	10 - 6	V805-000290	2 - 5		
V420-001061	11 - 13	V806-000050	1 - 8		
V420-001720	11 - 16	V806-000100	9 - 25		
V420-004090	2 - 18	V835-000000	2 - 23		
V423-000090	2 - 30	V835-000000	2 - 25		
V430-004230	11 - 22	V835-000000	2 - 27		
V452-000120	11 - 11	V835-000000	2 - 42		
V452-000200	11 - 4	V835-000000	7 - 17		
V452-001310	9 - 22	V835-000010	1 - 16		

YAMABIKO CORPORATION

7-2 SUEHIROCHO 1-CHOME, OHME, TOKYO 198-8760, JAPAN
PHONE: 81-428-32-6118. FAX: 81-428-32-6145.

ECHO®



13Cb
No. 05-220