



PARTS CATALOG

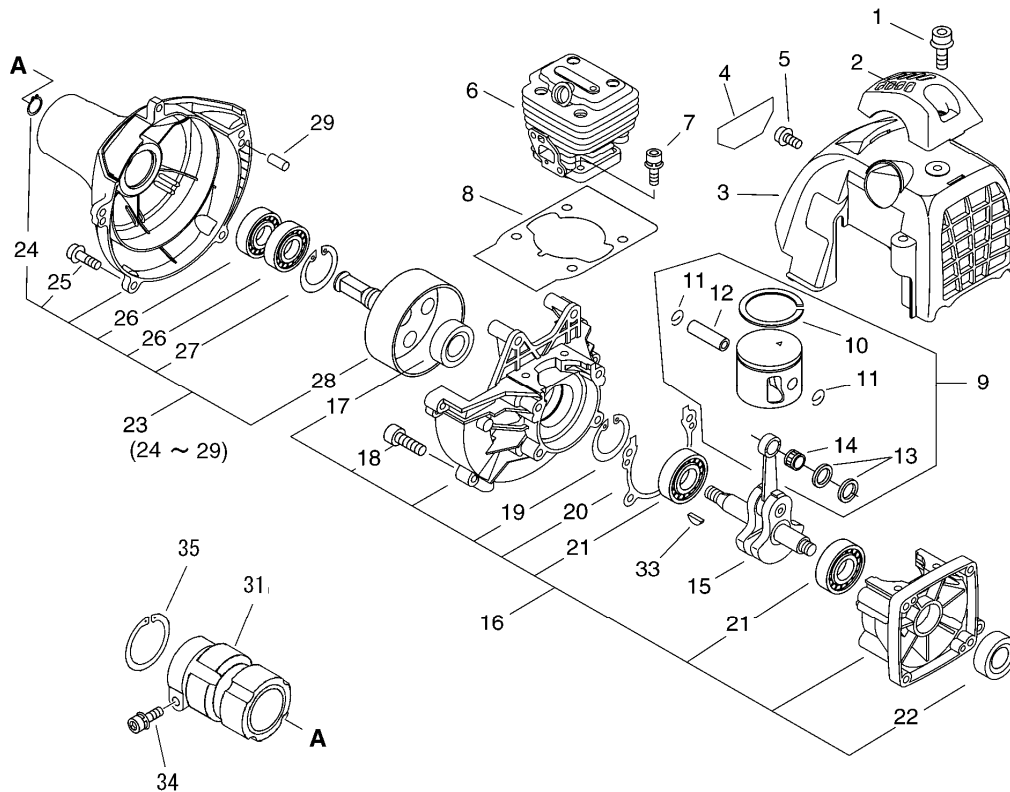
GRASS-TRIMMER/BRUSHCUTTER

SRM-300ES/L(37)

SRM-300ES/U(37)

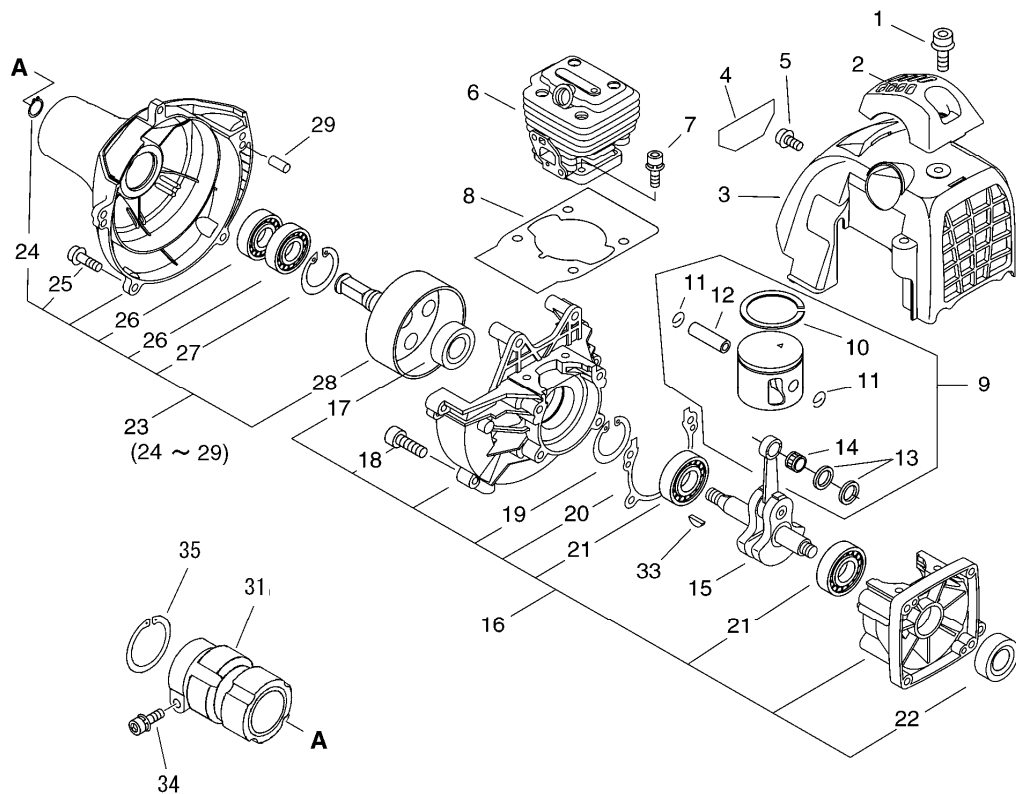


SRM-300ES(37)

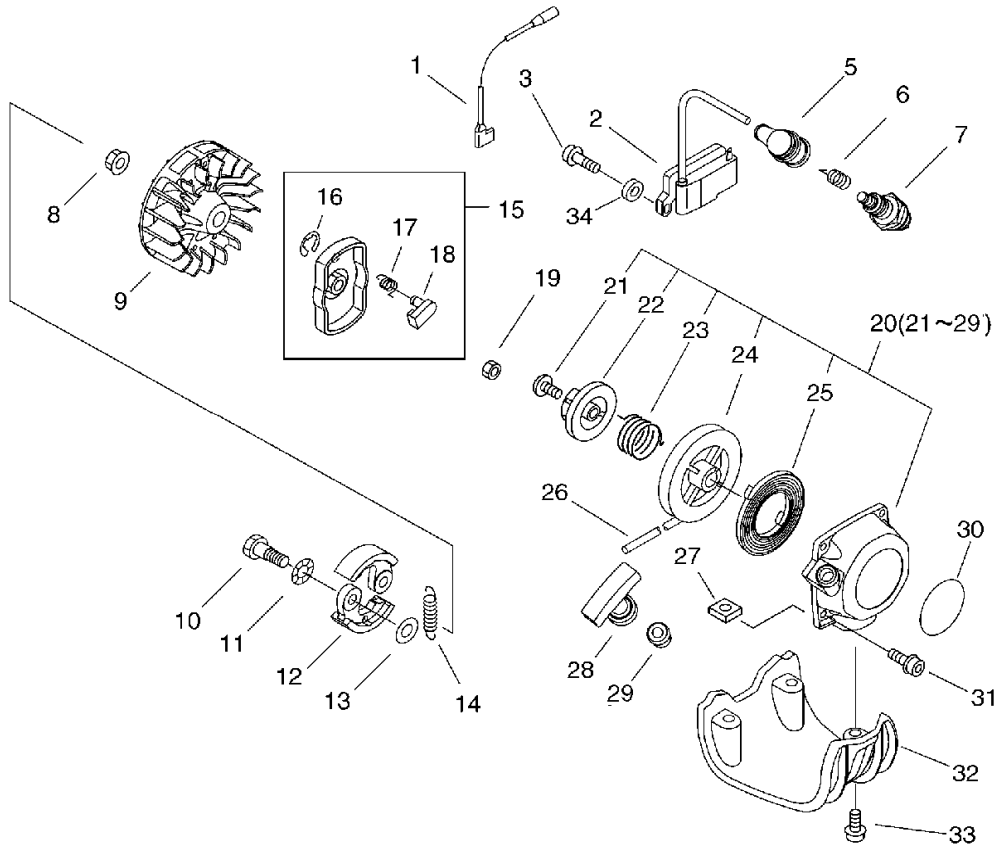


KEY	LV	PART NUMBER	Q'TY	DESCRIPTION	REMARKS
1		V203-000290	1	BOLT,5	
2		A162-000110	1	GUARD, TOP	
3		A160-000800	1	COVER, CYLINDER	
4		X547-000940	1	LABEL, ECHO	
5		91121-05010	2	BOLT, FLANGE	
6		A130-000800	1	CYLINDER	
7		91128-05025	4	BOLT HSH	
8		V100-000201	1	GASKET, CYL	
9		P021-010730	1	PISTON KIT	
10	+	A101-000170	1	RING, PISTON	
11	+	100015-03931	2	CIRCLIP, PISTON PIN	
12	+	100013-35430	1	PIN, PISTON	
13	+	V306-000200	2	WASHER, CIRCULAR 8	
14	+	100012-16131	1	BEARING, NEEDLE	
15		A011-000470	1	CRANKSHAFT, ASY	
16		P021-010741	1	CRANKCASE KIT	
17	+	100212-03930	1	OILSEAL	
18	+	91128-05028	4	BOLT HSH	
19	+	900702-00032	1	CIRCLIP 32	
20	+	V102-000030	1	GASKET, CRANKCASE	
21	+	94035-36201	2	BEARING BALL	
22	+	V505-000020	1	SEAL, OIL 12	
23		P021-014330	1	COVER ASY, FAN	
24	+	900701-00012	1	CIRCLIP 12	
25	+	900106-05020	4	BOLT, H.S. 5*20	
26	+	900807-06001	2	BEARING, BALL 6001	

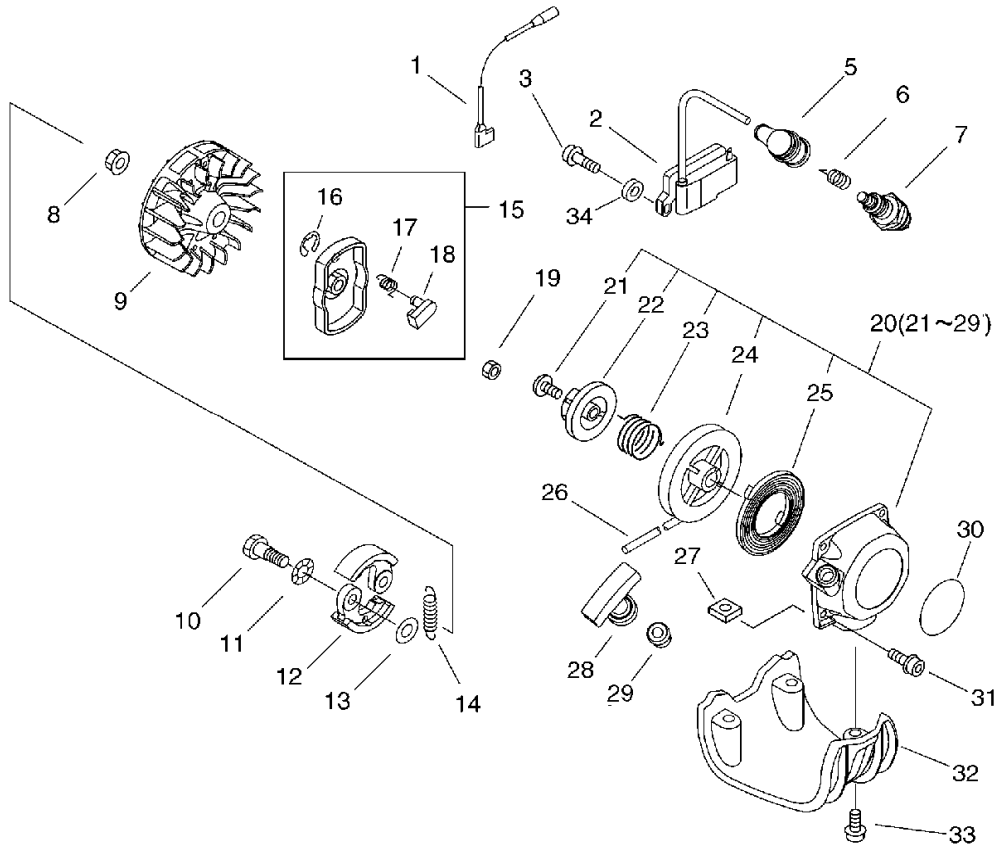
1 Cylinder, Crankcase, Piston, Fan Cover



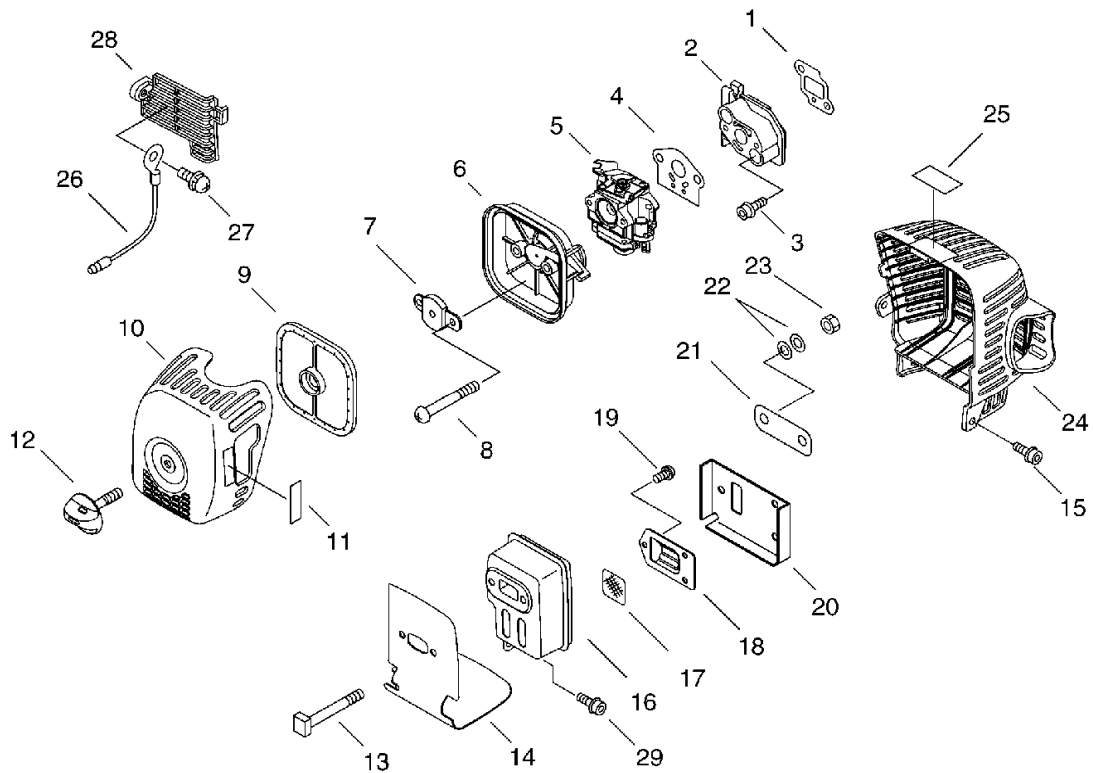
KEY	LV	PART NUMBER	Q'TY	DESCRIPTION	REMARKS
27	+	900702-00028	1	CIRCLIP 28	
28	+	A556-000420	1	DRUM, CLUTCH	
29	+	100215-03930	2	PIN, DOWEL	
30		P021-013900	1	FIXTURE, MAIN PIPE	
31	+	V420-001400	1	CUSHION	
32		900106-05025	2	BOLT, H.S. 5*25	
33		100142-12330	1	KEY, WOODRUFF	



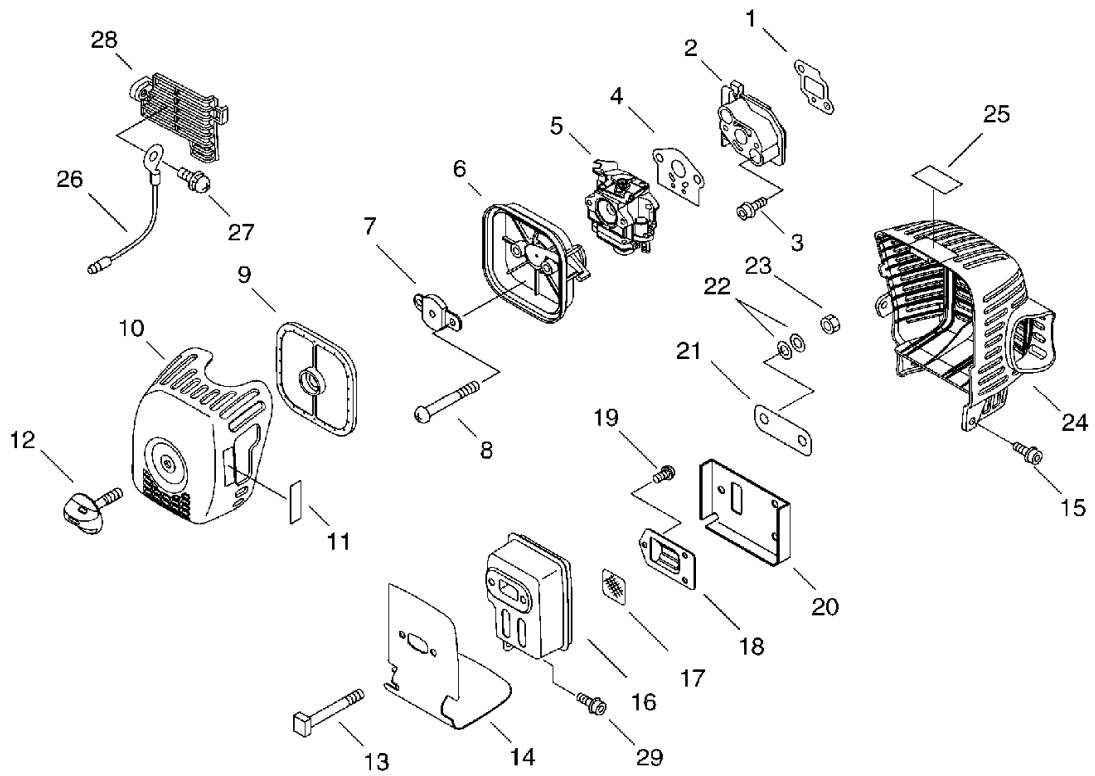
KEY	LV	PART NUMBER	Q'TY	DESCRIPTION	REMARKS
1		V485-000810	1	LEAD	
2		A411-000310	1	COIL, IGNITION	
2		A411-000311	1	COIL, IGNITION	
3		900162-05020	2	BOLT, H.S. 5*20	
5		159012-03433	1	CAP, SPARK PLUG	
6		159011-03432	1	COIL, SPARK PLUG	
7		A425-000000	1	SPARKPLUG	
8		900515-00008	1	NUT, FLANGE 8	
9		A409-000290	1	ROTOR, MAGNETO	
10		175046-56030	2	SHAFT, CLUTCH	
11		175049-56030	2	WASHER	
12		A553-000050	2	ARM, CLUTCH	
13		175048-05530	2	WASHER (I)	
14		A566-000020	1	SPRING, CLUTCH	
15		A052-000180	1	PULLEY,ASM STARTER	
16	+	P022-002100	1	E-RING	
17	+	P022-006510	1	SPRING, RETURN	
18	+	P022-006850	1	PAWL, STARTER	
19		900502-00008	1	NUT 8 (3N)	
20		A051-001210	1	STARTER,RECOIL ASY	
21	+	177236-61830	1	SCREW	
22	+	P022-008280	1	PLATE, CAM	
23	+	P022-008270	1	SPRING,DAMPER	
24	+	A506-000030	1	REEL,ROPE	
25	+	177220-40630	1	SPRING, REWIND	
26	+	P022-022110	1	ROPE, STARTER	



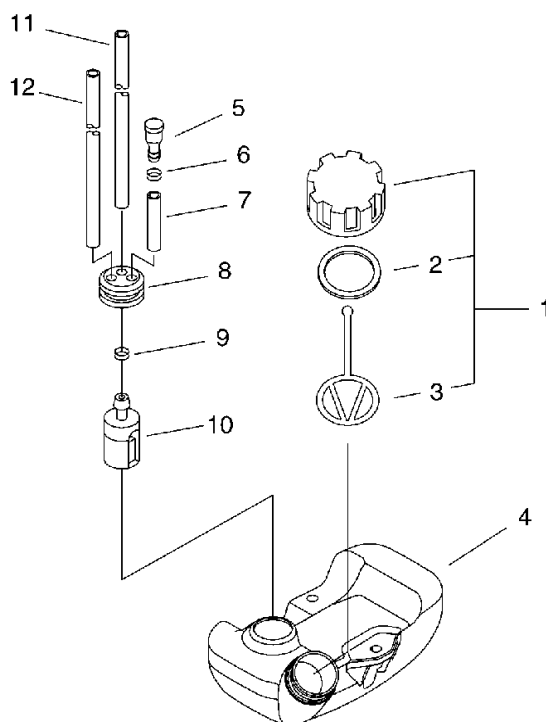
KEY	LV	PART NUMBER	Q'TY	DESCRIPTION	REMARKS
27	+	P022-022010	1	NUT	
28	+	177228-27030	1	GRIP, STARTER	
29	+	177227-42030	1	GUIDE, ROPE	
30		X502-000330	1	LABEL,ECHO	
31		V203-000280	4	BOLT,5	
32		A175-000040	2	STAND	
33		91121-05020	3	BOLT, FLANGE	
34		V323-000070	2	WASHER,CIRCULAR 5	



KEY	LV	PART NUMBER	Q'TY	DESCRIPTION	REMARKS
1		V103-000380	1	GASKET,INTAKE	
2		A200-000270	1	INSULATOR, INTAKE	
3		900106-05030	2	BOLT, H.S.H. 5*30	
4		V103-000160	1	GASKET,INTAKE	
5		A021-001340	1	CARBURETOR,DIAPHRAGM	
6		P021-013820	1	CASE, AIR CLEANER	
7		A244-000070	1	PLATE,PREVENT	
8		900242-05060	2	SCREW 5*60	
9		A226-000350	1	ELEMENT, AIR FILTER	
10		A232-000360	1	LID,CLEANER	
11		890332-52730	1	LABEL, CHOKE	
12		V299-000250	1	KNOB,FASTENER	
13		V203-000120	2	BOLT,5	
14		V104-000810	1	GASKET,EXHAUST	
15		V203-000280	1	BOLT,5	
16		A300-000640	1	MUFFLER, EXHAUST	
17		145862-40630	1	SCREEN, MUFFLER	
18		A313-000860	1	GUIDE, EXHAUST	
19		91367-04010	3	SCREW	
20		V104-000790	1	GASKET,EXHAUST	
21		V150-001760	1	PLATE,EYE	
22		92280-05000	2	WASHER, NORD-LOCK	
23		900500-00005	2	NUT 5	
24		A320-000400	1	COVER,MUFFLER	
25		X505-002310	1	LABEL,CAUTION	
26		162014-27230	1	LEAD, GROUND	

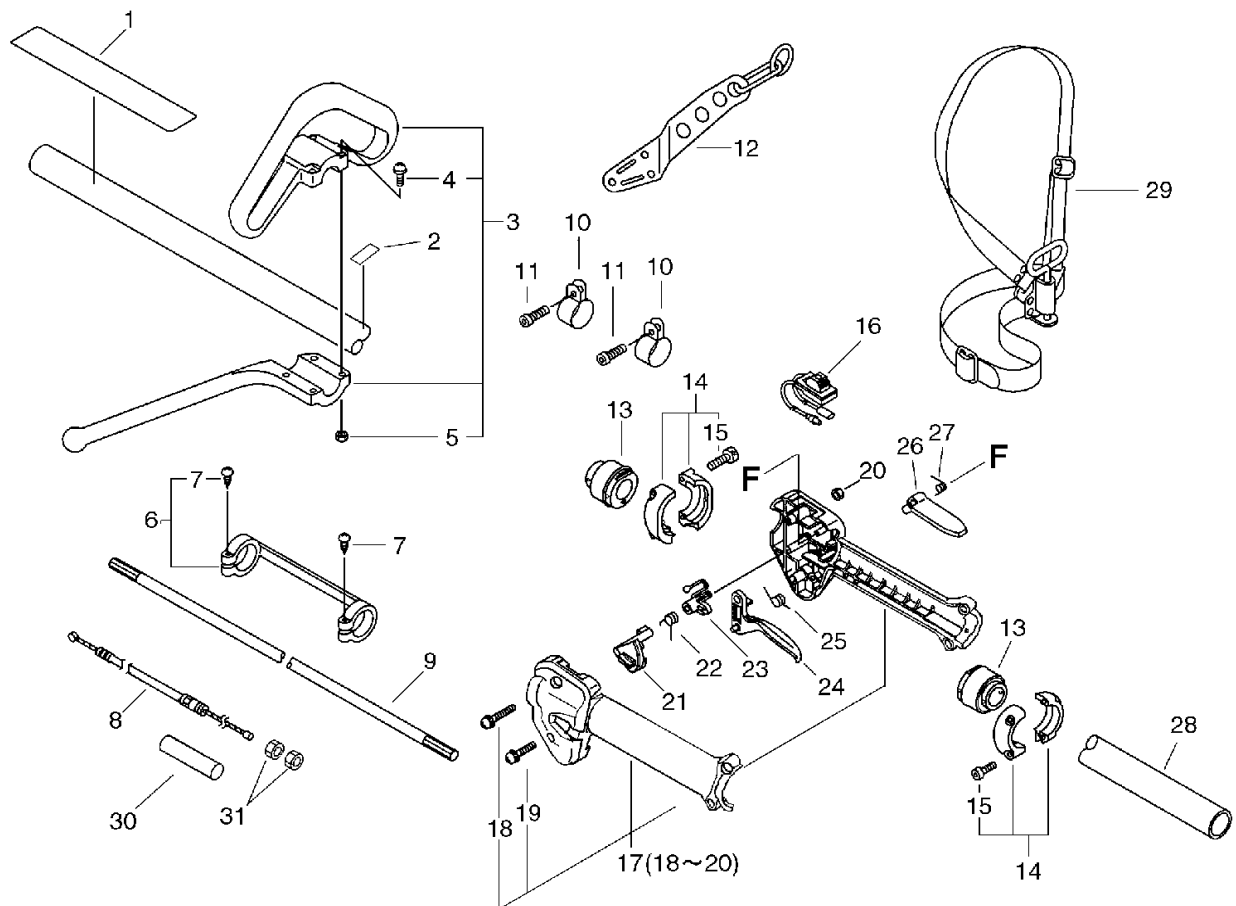


KEY	LV	PART NUMBER	Q'TY	DESCRIPTION	REMARKS
27		900242-05010	1	SCREW 5*10	
28		A127-000150	1	COVER,DUST	
29		900106-05016	1	BOLT, H.S. 5*16	



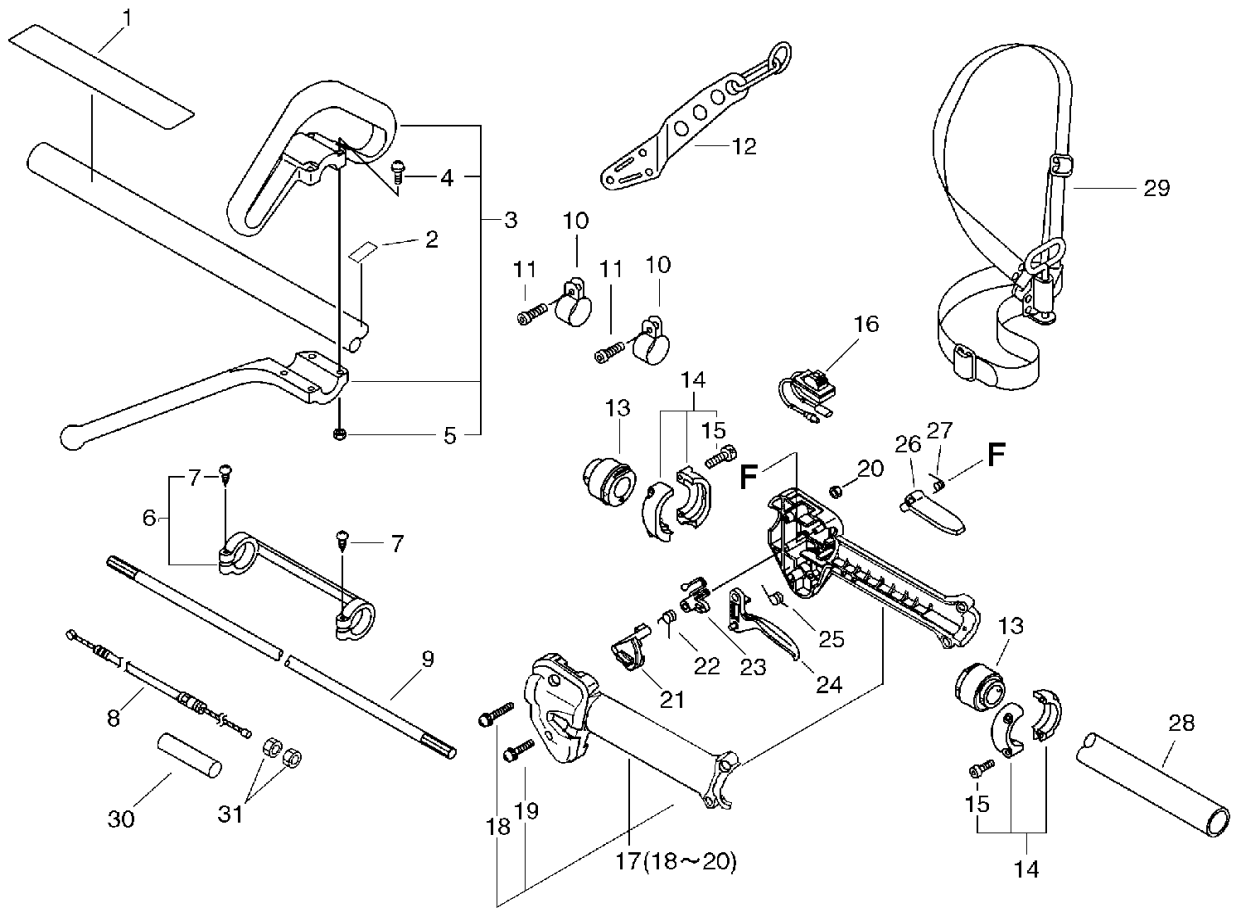
KEY	LV	PART NUMBER	Q'TY	DESCRIPTION	REMARKS
1		P021-012210	1	CAP,FUEL ASY	
2	+	131016-55830	1	GASKET, FUEL CAP	
3	+	A365-000060	1	CONNECTOR,CAP	
4		A350-000500	1	TANK, FUEL	
5		A356-000030	1	VALVE,CHECK	
6		132013-26630	1	CLIP	
7		V471-000110	1	PIPE	
8		132115-55930	1	GROMMET, FUEL	
9		132013-09820	1	CLIP	
10		131205-19830	1	STRAINER, FUEL	
10		131205-19831	1	STRAINER, FUEL	
11		V470-000580	1	PIPE	
12		132012-56030	1	PIPE	

SRM-300ES/L(37) 5 L-Handle



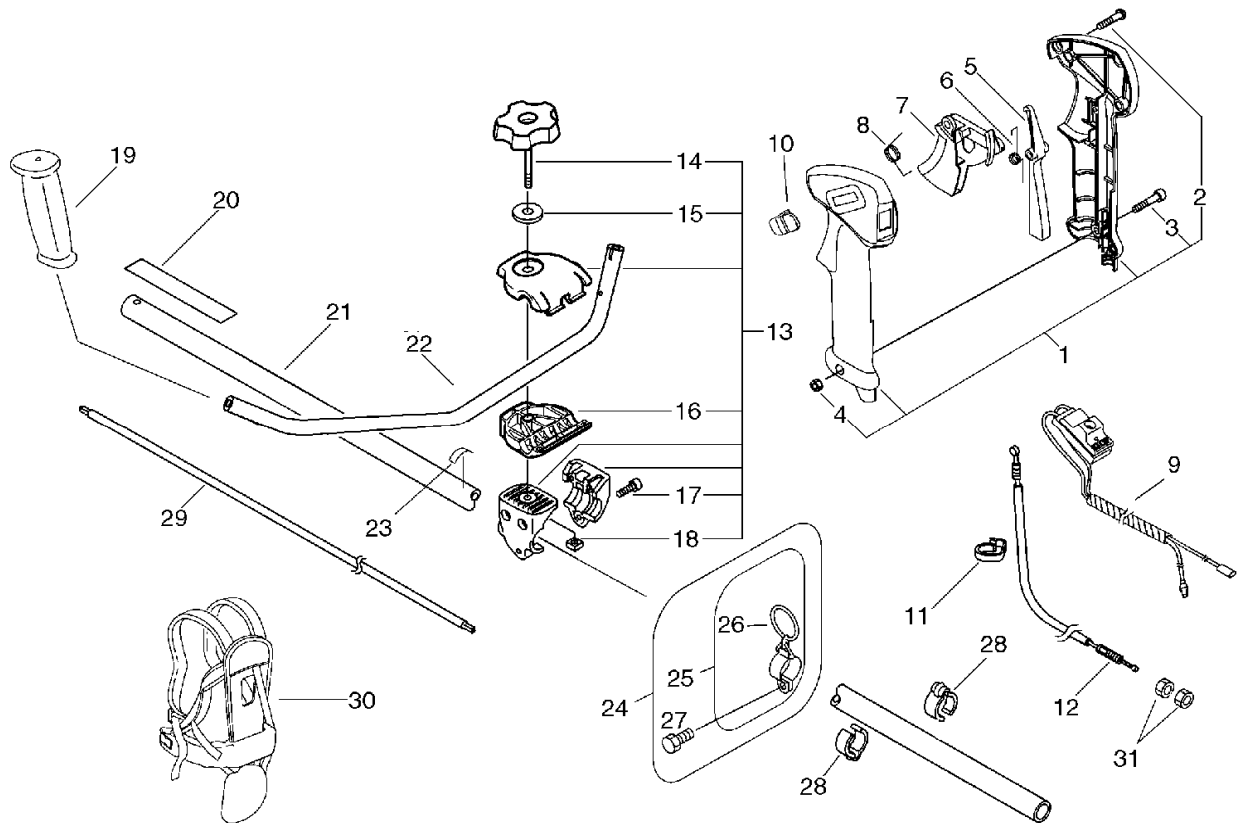
KEY	LV	PART NUMBER	Q'TY	DESCRIPTION	REMARKS
1		890617-43130	1	LABEL,CAUTION	
2		890152-04930	1	LABEL, CAUTION	
3		P021-013540	1	FRONT HANDLE ASY	
4	+	91118-05035	4	BOLT	
5	+	900500-00005	4	NUT 5	
6		610281-54130	1	COLLER	
6		610281-54131	1	COLLER	
7	+	900253-04025	2	SCREW 4*25	
8		V430-002070	1	CABLE,BOWDEN	
9		C504-000050	1	SHAFT,DRIVE	
10		V495-001010	2	BAND	
11		91118-05014	2	BOLT	
12		C624-000020	1	HANGER,HARNESS	
13		V420-000960	2	CUSHION	
14		P021-012630	1	BRACKET ASM., HANDLE	
15	+	91118-05025	4	BOLT	
16		163400-49330	1	SWITCH, IGNITION	
17		P021-013560	1	BRACKET SET, THROTTLE	
18	+	91118-05035	1	BOLT	
19	+	91118-05025	3	BOLT	
20		900500-00005	4	NUT 5	
21		C461-000010	2	LATCH,THROTTLE	
22		V452-000120	1	SPRING,TORSION	
23		C461-000000	1	LATCH,THROTTLE	
24		C450-000110	1	TRIGGER,THROTTLE	
25		178043-42230	1	SPRING, THR. RETURN	

SRM-300ES/L(37) 5 L-Handle



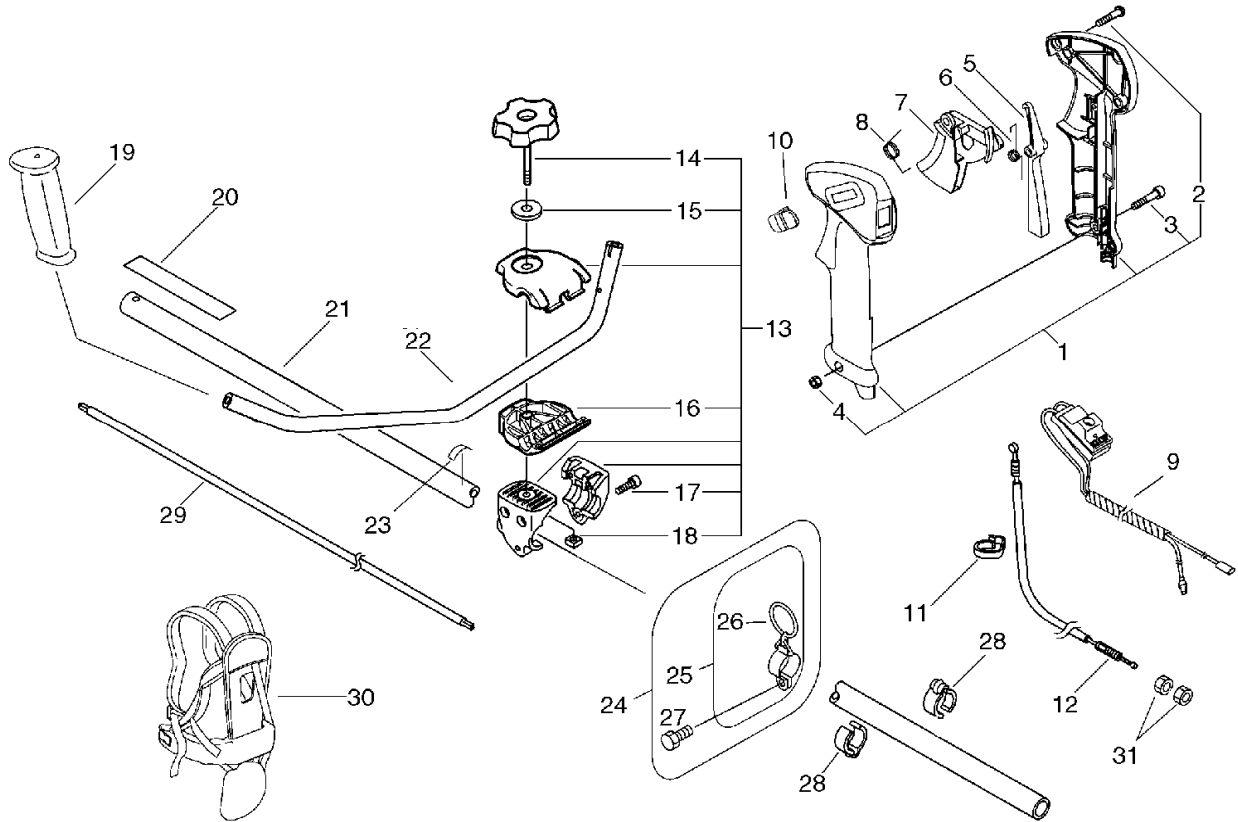
KEY	LV	PART NUMBER	Q'TY	DESCRIPTION	REMARKS
26		178090-52632	1	LOCKOUT, T. CONTROL	
27		178013-52630	1	SPRING, THR. LOCK	
28		C050-000870	1	PIPE, MAIN	
29		301001-46731	1	HARNES, SHOULDER	
30		V475-000850	1	TUBE	
31		900502-00006	2	NUT 6 (3N)	

SRM-300ES/U(37) 6 U-Handle



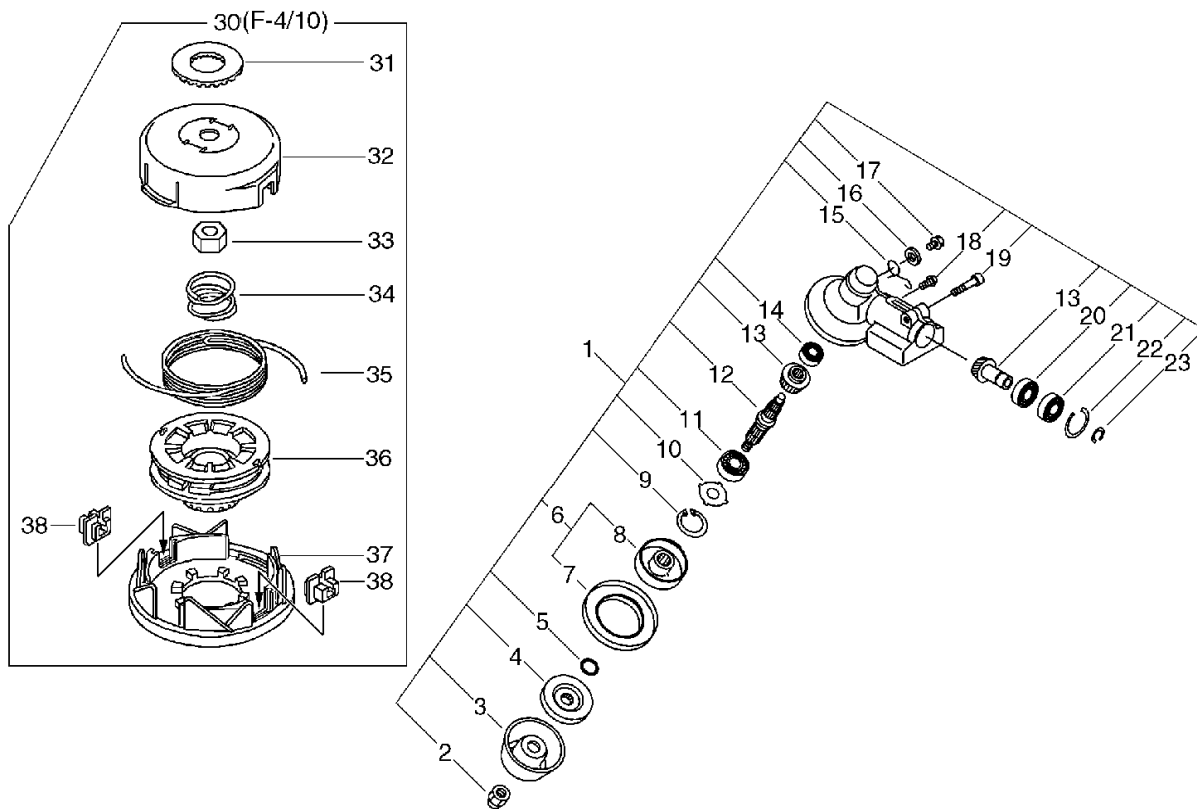
KEY	LV	PART NUMBER	Q'TY	DESCRIPTION	REMARKS
1		P021-014090	1	GRIP ASY,F-HANDLE	
2	+	900256-04016	3	SCREW 4*16	
3	+	91119-05030	1	BOLT	
4	+	900500-00005	1	NUT 5	
5		C460-000110	1	LOCKOUT, THROTTLE	
5		C460-000111	1	LOCKOUT, THROTTLE	
6		V452-000350	1	SPRING,TORSION	
7		C450-000270	1	CONTROL, THROTTLE	
8		V452-000360	1	SPRING,TORSION	
9		P021-042300	1	SWITCH, ON OFF	
10		C463-000020	1	KNOB, LATCH	
11		159112-09961	1	CLIP	
12		V430-002080	1	CABLE,BOWDEN	
13		P021-012820	1	FIXTURE,ASY HANDLE	
14	+	V299-000110	1	KNOB,FASTENER	
15	+	605014-54230	1	WASHER	
16	+	C423-000030	1	FIXTURE,HANDLE	
17	+	91118-05030	3	BOLT	
18	+	900565-50008	1	NUT	
19		C403-000031	1	GRIP,HANDLE	
20		890617-43130	1	LABEL,CAUTION	
21		C050-000870	1	PIPE, MAIN	
22		C400-000211	1	HANDLE,FRONT	
23		890152-04930	1	LABEL, CAUTION	
24		P021-013580	1	RING, HARNESS KIT	
25	+	301200-21330	1	HOOK ASS'Y	

SRM-300ES/U(37) 6 U-Handle



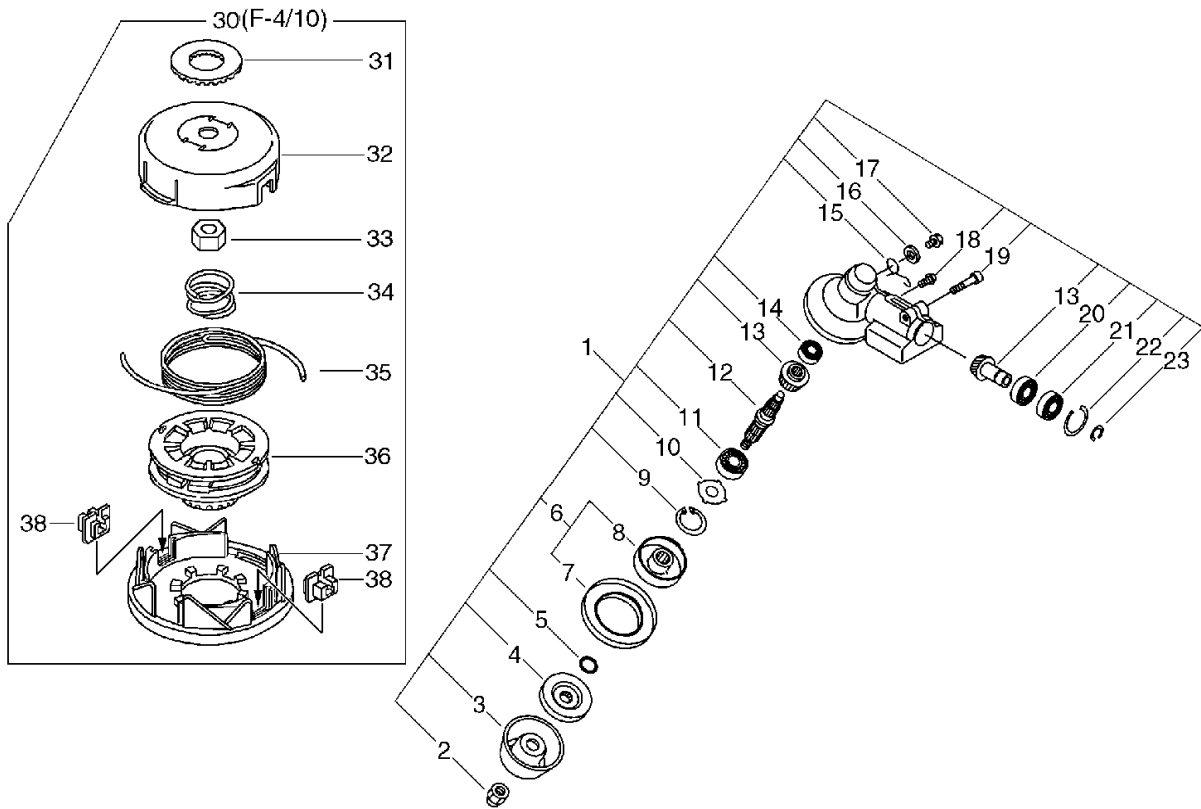
KEY	LV	PART NUMBER	Q'TY	DESCRIPTION	REMARKS
26	++	301015-05330	1	HOOK, BAND	
27	+	91121-05012	1	BOLT, FLANGE	
28		224924-52130	2	CLIP	
29		C504-000050	1	SHAFT, DRIVE	
30		C062-000181	1	HARNES, SHOULDER	
31		900502-00006	2	NUT 6 (3N)	

SRM-300ES/L(37) 7 L-Gear Case



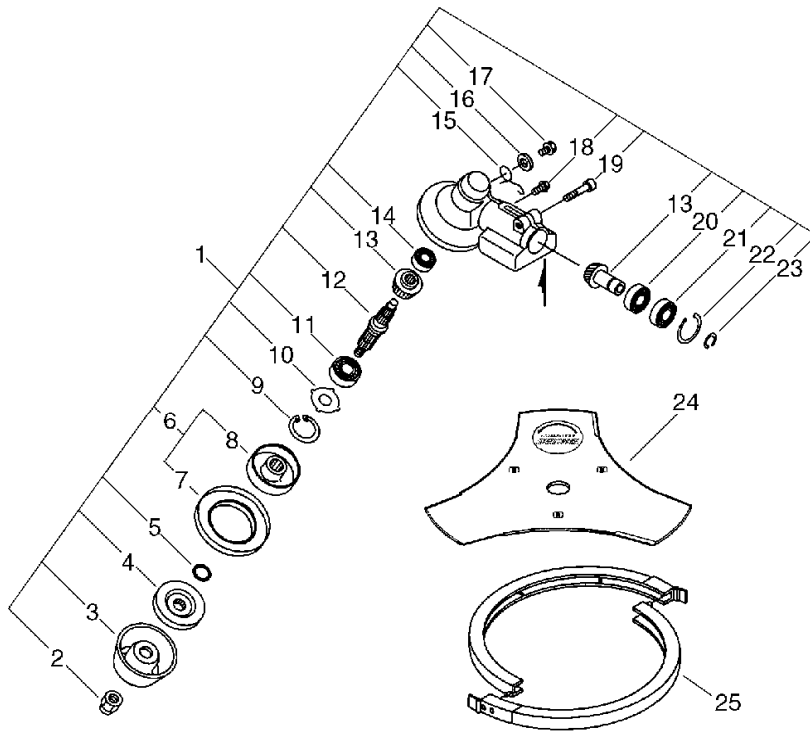
KEY	LV	PART NUMBER	Q'TY	DESCRIPTION	REMARKS
1		P021-012600	1	CASE,GEAR	
1		P021-012601	1	CASE,GEAR	
2	+	610320-52130	1	NUT 10	
3	+	699229-56830	1	PLATE, COVER	
4	+	610314-52130	1	PLATE, ADAPTER (L)	
5	+	900720-00012	1	O-RING 12	
6	+	C535-000001	1	FIXTURE,BLADE	
7	++	610352-56830	1	PLATE, CUP	
8	++	C535-000011	1	FIXTURE,BLADE	
9	+	900702-00032	1	CIRCLIP 32	
10	+	610444-56830	1	WASHER	
11	+	900812-06201	1	BEARING, BALL 6201	
12	+	610310-56830	1	SHAFT, P.T.O.	
12	+	610310-56831	1	SHAFT, P.T.O.	
13	+	V000-000040	1	GEAR SET, BEVEL	
14	+	900810-00626	1	BEARING, BALL 626	
15	+	610473-52131	1	SPRING	
16	+	900603-50008	1	WASHER	
17	+	610434-50031	1	BOLT 8* 8	
18	+	900242-05010	1	SCREW 5*10	
19	+	91118-06025	1	BOLT	
20	+	900855-06900	1	BEARING, BALL 6900	
21	+	900858-06900	1	BEARING, BALL 6900Z	
22	+	900702-00022	1	CIRCLIP 22	
23	+	900706-00010	1	CIRCLIP 10	
30		X047-000270	1	CUTTER,ASM LINE	

SRM-300ES/L(37) 7 L-Gear Case



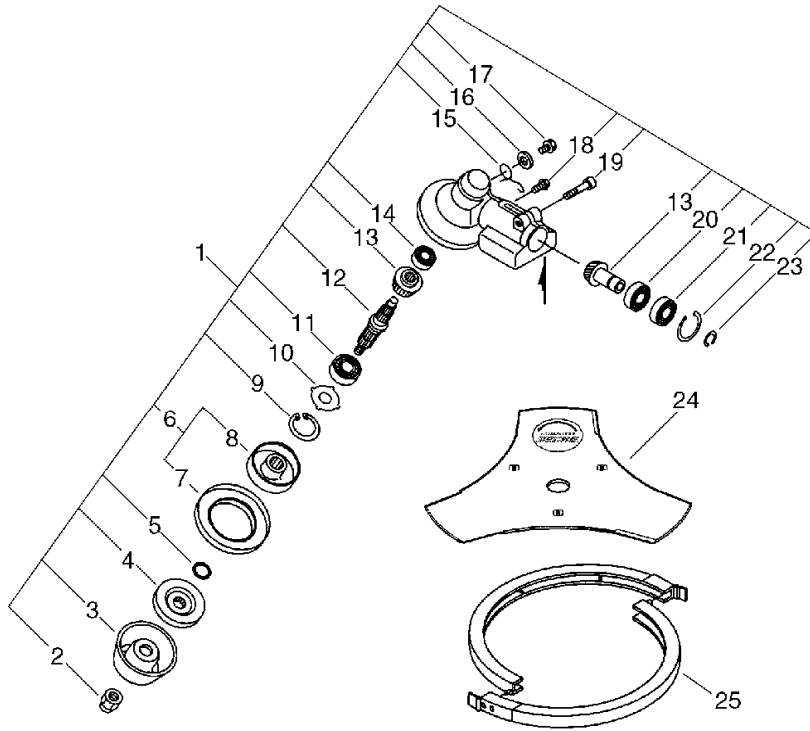
KEY	LV	PART NUMBER	Q'TY	DESCRIPTION	REMARKS
31	+	V332-000000	1	WASHER,CIRCULAR 24	
32	+	P022-003310	1	HOUSING	
33	+	P022-001220	1	NUT	
34	+	P022-001250	1	SPRING	
35	+	P022-006190	1	NYLON CODE	
36	+	P022-001260	1	BOBBIN	
37	+	P022-003330	1	COVER	
38	+	P022-000710	2	EYELET	

SRM-300ES/U(37) 8 U-Gear Case

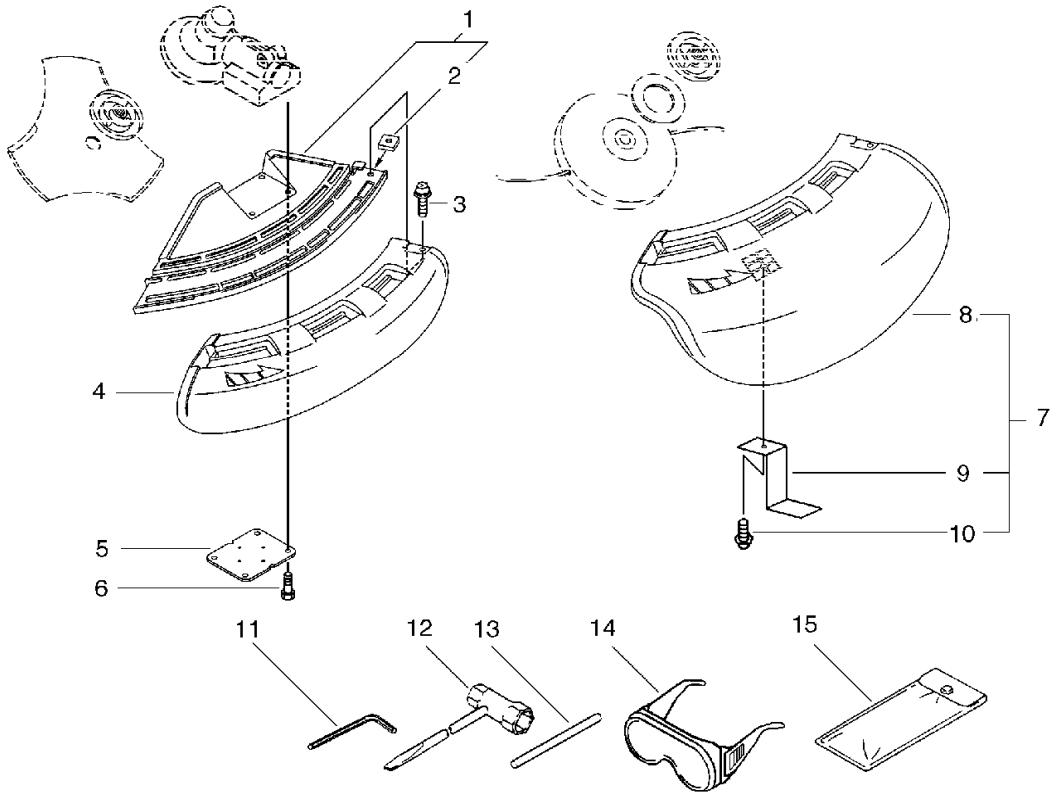


KEY	LV	PART NUMBER	Q'TY	DESCRIPTION	REMARKS
1		P021-012600	1	CASE,GEAR	
1		P021-012601	1	CASE,GEAR	
2	+	610320-52130	1	NUT 10	
3	+	699229-56830	1	PLATE, COVER	
4	+	610314-52130	1	PLATE, ADAPTER (L)	
5	+	900720-00012	1	O-RING 12	
6	+	C535-000001	1	FIXTURE,BLADE	
7	+	610352-56830	1	PLATE, CUP	
8	+	C535-000011	1	FIXTURE,BLADE	
9	+	900702-00032	1	CIRCLIP 32	
10	+	610444-56830	1	WASHER	
11	+	900812-06201	1	BEARING, BALL 6201	
12	+	610310-56830	1	SHAFT, P.T.O.	
12	+	610310-56831	1	SHAFT, P.T.O.	
13	+	V000-000040	1	GEAR SET, BEVEL	
14	+	900810-00626	1	BEARING, BALL 626	
15	+	610473-52131	1	SPRING	
16	+	900603-50008	1	WASHER	
17	+	610434-50031	1	BOLT 8*8	
18	+	900242-05010	1	SCREW 5*10	
19	+	91118-06025	1	BOLT	
20	+	900855-06900	1	BEARING, BALL 6900	
21	+	900858-06900	1	BEARING, BALL 6900Z	
22	+	900702-00022	1	CIRCLIP 22	
23	+	900706-00010	1	CIRCLIP 10	
24		X405-000001	1	SAW,BUSH CUTTER	

SRM-300ES/U(37) 8 U-Gear Case

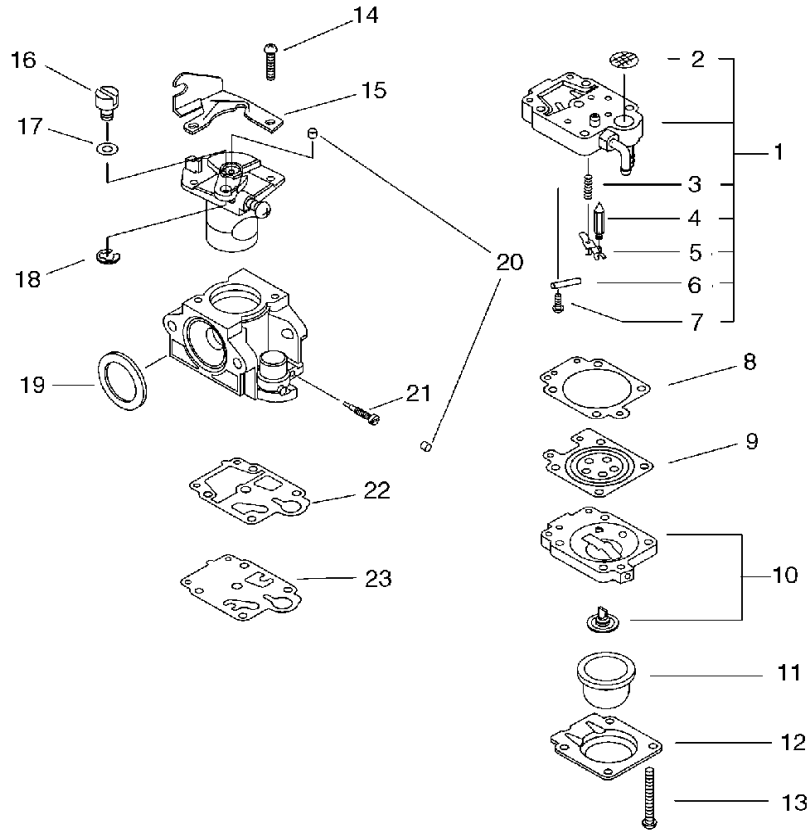


KEY	LV	PART NUMBER	Q'TY	DESCRIPTION	REMARKS
25		P021-007470	1	SCABBARD,BLADE	



KEY	LV	PART NUMBER	Q'TY	DESCRIPTION	REMARKS
1		C550-000100	1	SHIELD,BLADE	
2	+	900565-00005	1	NUT	
3		91118-05018	1	BOLT	
4		C550-000090	1	SHIELD,BLADE	
5		699013-56830	1	PLATE, SHIELD	
6		91118-05025	4	BOLT	
7		P021-013770	1	SHIELD KIT	
8	+	C550-000080	1	SHIELD,BLADE	
9	+	C554-000030	1	KNIFE, CORD	
10	+	900252-05012	1	SCREW 5*12	
11		895610-00130	1	L-WRENCH (4MM)	
12		X602-000020	1	TOOL,WRENCH	
13		897518-01131	1	LOCKING TOOL	
14		P021-002861	1	GOGGLES	
15		898510-07130	1	BAG, TOOL	

SRM-300ES L/U(37) 10 Carburettor



KEY	LV	PART NUMBER	Q'TY	DESCRIPTION	REMARKS
		A021-001340	1	CARBURETOR,DIAPHRAGM	
1	+	P003-000440	1	BODY ASY, PUMP	
2	++	123126-10631	1	SCREEN, INLET	
3	++	P003-000450	1	SPRING, METER. LEVER	
4	++	123137-19830	1	VALVE, INLET NEEDLE	
5	++	123123-03930	1	LEVER, METERING	
6	++	123138-03930	1	PIN, METERING LEVER	
7	++	123139-05560	1	SCREW, M. LEVER PIN	
8	+	123140-05560	1	GASKET, M. DIAPHRAGM	
9	+	P003-001850	1	DIAPHRAGM, METERING	
10	+	123180-05560	1	BODY, AIR PURGE	
11	+	123181-40630	1	PUMP, PRIMER	
12	+	123142-05560	1	COVER, PRIMER PUMP	
13	+	123110-05560	4	SCREW, PUMP COVER	
14	+	123114-40630	2	SCREW	
15	+	P003-000180	1	BRACKET CABLE	
16	+	123172-45130	1	SWIVEL	
17	+	123149-54230	1	WASHER	
18	+	123173-07930	1	CLIP	
19	+	123143-12110	1	RING, PACKING	
20	+	A259-000000	2	CAP,LIMITER	
21	+	P003-001130	1	NEEDLE, HIGH SPEED	
22	+	P003-000100	1	GASKET, PUMP	
23	+	123112-40630	1	DIAPHRAGM, PUMP	

Index

Patrs Number	Key No.	Patrs Number	Key No.	Patrs Number	Key No.
100012-16131	1 - 14	605014-54230	6 - 15	900515-00008	2 - 8
100013-35430	1 - 12	610281-54130	5 - 6	900565-00005	9 - 2
100015-03931	1 - 11	610281-54131	5 - 6	900565-50008	6 - 18
100142-12330	1 - 33	610310-56830	7 - 12	900603-50008	7 - 16
100212-03930	1 - 17	610310-56830	8 - 12	900603-50008	8 - 16
100215-03930	1 - 29	610310-56831	7 - 12	900701-00012	1 - 24
123110-05560	10 - 13	610310-56831	8 - 12	900702-00022	7 - 22
123112-40630	10 - 23	610314-52130	7 - 4	900702-00022	8 - 22
123114-40630	10 - 14	610314-52130	8 - 4	900702-00028	1 - 27
123123-03930	10 - 5	610320-52130	7 - 2	900702-00032	1 - 19
123126-10631	10 - 2	610320-52130	8 - 2	900702-00032	7 - 9
123137-19830	10 - 4	610352-56830	7 - 7	900702-00032	8 - 9
123138-03930	10 - 6	610352-56830	8 - 7	900706-00010	7 - 23
123139-05560	10 - 7	610434-50031	7 - 17	900706-00010	8 - 23
123140-05560	10 - 8	610434-50031	8 - 17	900720-00012	7 - 5
123142-05560	10 - 12	610444-56830	7 - 10	900720-00012	8 - 5
123143-12110	10 - 19	610444-56830	8 - 10	900807-06001	1 - 26
123149-54230	10 - 17	610473-52131	7 - 15	900810-00626	7 - 14
123172-45130	10 - 16	610473-52131	8 - 15	900810-00626	8 - 14
123173-07930	10 - 18	699013-56830	9 - 5	900812-06201	7 - 11
123180-05560	10 - 10	699229-56830	7 - 3	900812-06201	8 - 11
123181-40630	10 - 11	699229-56830	8 - 3	900855-06900	7 - 20
131016-55830	4 - 2	890152-04930	5 - 2	900855-06900	8 - 20
131205-19830	4 - 10	890152-04930	6 - 23	900858-06900	7 - 21
131205-19831	4 - 10	890332-52730	3 - 11	900858-06900	8 - 21
132012-56030	4 - 12	890617-43130	5 - 1	91118-05014	5 - 11
132013-09820	4 - 9	890617-43130	6 - 20	91118-05018	9 - 3
132013-26630	4 - 6	895610-00130	9 - 11	91118-05025	5 - 15
132115-55930	4 - 8	897518-01131	9 - 13	91118-05025	5 - 19
145862-40630	3 - 17	898510-07130	9 - 15	91118-05025	9 - 6
159011-03432	2 - 6	900106-05016	3 - 29	91118-05030	6 - 17
159012-03433	2 - 5	900106-05020	1 - 25	91118-05035	5 - 18
159112-09961	6 - 11	900106-05025	1 - 32	91118-05035	5 - 4
162014-27230	3 - 26	900106-05030	3 - 3	91118-06025	7 - 19
163400-49330	5 - 16	900162-05020	2 - 3	91118-06025	8 - 19
175046-56030	2 - 10	900242-05010	3 - 27	91119-05030	6 - 3
175048-05530	2 - 13	900242-05010	7 - 18	91121-05010	1 - 5
175049-56030	2 - 11	900242-05010	8 - 18	91121-05012	6 - 27
177220-40630	2 - 25	900242-05060	3 - 8	91121-05020	2 - 33
177227-42030	2 - 29	900252-05012	9 - 10	91128-05025	1 - 7
177228-27030	2 - 28	900253-04025	5 - 7	91128-05028	1 - 18
177236-61830	2 - 21	900256-04016	6 - 2	91367-04010	3 - 19
178013-52630	5 - 27	900500-00005	3 - 23	92280-05000	3 - 22
178043-42230	5 - 25	900500-00005	5 - 20	94035-36201	1 - 21
178090-52632	5 - 26	900500-00005	5 - 5	A011-000470	1 - 15
224924-52130	6 - 28	900500-00005	6 - 4	A021-001340	10 -
301001-46731	5 - 29	900502-00006	5 - 31	A021-001340	3 - 5
301015-05330	6 - 26	900502-00006	6 - 31	A051-001210	2 - 20
301200-21330	6 - 25	900502-00008	2 - 19	A052-000180	2 - 15

Index

Patrs Number	Key No.	Patrs Number	Key No.	Patrs Number	Key No.
A101-000170	1 - 10	P003-000100	10 - 22	V203-000120	3 - 13
A127-000150	3 - 28	P003-000180	10 - 15	V203-000280	2 - 31
A130-000800	1 - 6	P003-000440	10 - 1	V203-000280	3 - 15
A160-000800	1 - 3	P003-000450	10 - 3	V203-000290	1 - 1
A162-000110	1 - 2	P003-001130	10 - 21	V299-000110	6 - 14
A175-000040	2 - 32	P003-001850	10 - 9	V299-000250	3 - 12
A200-000270	3 - 2	P021-002861	9 - 14	V306-000200	1 - 13
A226-000350	3 - 9	P021-007470	8 - 25	V323-000070	2 - 34
A232-000360	3 - 10	P021-010730	1 - 9	V332-000000	7 - 31
A244-000070	3 - 7	P021-010741	1 - 16	V420-000960	5 - 13
A259-000000	10 - 20	P021-012210	4 - 1	V420-001400	1 - 31
A300-000640	3 - 16	P021-012600	7 - 1	V430-002070	5 - 8
A313-000860	3 - 18	P021-012600	8 - 1	V430-002080	6 - 12
A320-000400	3 - 24	P021-012601	7 - 1	V452-000120	5 - 22
A350-000500	4 - 4	P021-012601	8 - 1	V452-000350	6 - 6
A356-000030	4 - 5	P021-012630	5 - 14	V452-000360	6 - 8
A365-000060	4 - 3	P021-012820	6 - 13	V470-000580	4 - 11
A409-000290	2 - 9	P021-013540	5 - 3	V471-000110	4 - 7
A411-000310	2 - 2	P021-013560	5 - 17	V475-000850	5 - 30
A411-000311	2 - 2	P021-013580	6 - 24	V485-000810	2 - 1
A425-000000	2 - 7	P021-013770	9 - 7	V495-001010	5 - 10
A506-000030	2 - 24	P021-013820	3 - 6	V505-000020	1 - 22
A553-000050	2 - 12	P021-013900	1 - 30	X047-000270	7 - 30
A556-000420	1 - 28	P021-014090	6 - 1	X405-000001	8 - 24
A566-000020	2 - 14	P021-014330	1 - 23	X502-000330	2 - 30
C050-000870	5 - 28	P021-042300	6 - 9	X505-002310	3 - 25
C050-000870	6 - 21	P022-000710	7 - 38	X547-000940	1 - 4
C062-000181	6 - 30	P022-001220	7 - 33	X602-000020	9 - 12
C400-000211	6 - 22	P022-001250	7 - 34		
C403-000031	6 - 19	P022-001260	7 - 36		
C423-000030	6 - 16	P022-002100	2 - 16		
C450-000110	5 - 24	P022-003310	7 - 32		
C450-000270	6 - 7	P022-003330	7 - 37		
C460-000110	6 - 5	P022-006190	7 - 35		
C460-000111	6 - 5	P022-006510	2 - 17		
C461-000000	5 - 23	P022-006850	2 - 18		
C461-000010	5 - 21	P022-008270	2 - 23		
C463-000020	6 - 10	P022-008280	2 - 22		
C504-000050	5 - 9	P022-022010	2 - 27		
C504-000050	6 - 29	P022-022110	2 - 26		
C535-000001	7 - 6	V000-000040	7 - 13		
C535-000001	8 - 6	V000-000040	8 - 13		
C535-000011	7 - 8	V100-000201	1 - 8		
C535-000011	8 - 8	V102-000030	1 - 20		
C550-000080	9 - 8	V103-000160	3 - 4		
C550-000090	9 - 4	V103-000380	3 - 1		
C550-000100	9 - 1	V104-000790	3 - 20		
C554-000030	9 - 9	V104-000810	3 - 14		
C624-000020	5 - 12	V150-001760	3 - 21		

YAMABIKO CORPORATION

7-2 SUEHIROCHO 1-CHOME, OHME, TOKYO 198-8760, JAPAN
PHONE: 81-428-32-6118. FAX: 81-428-32-6145.



No. 64-178