



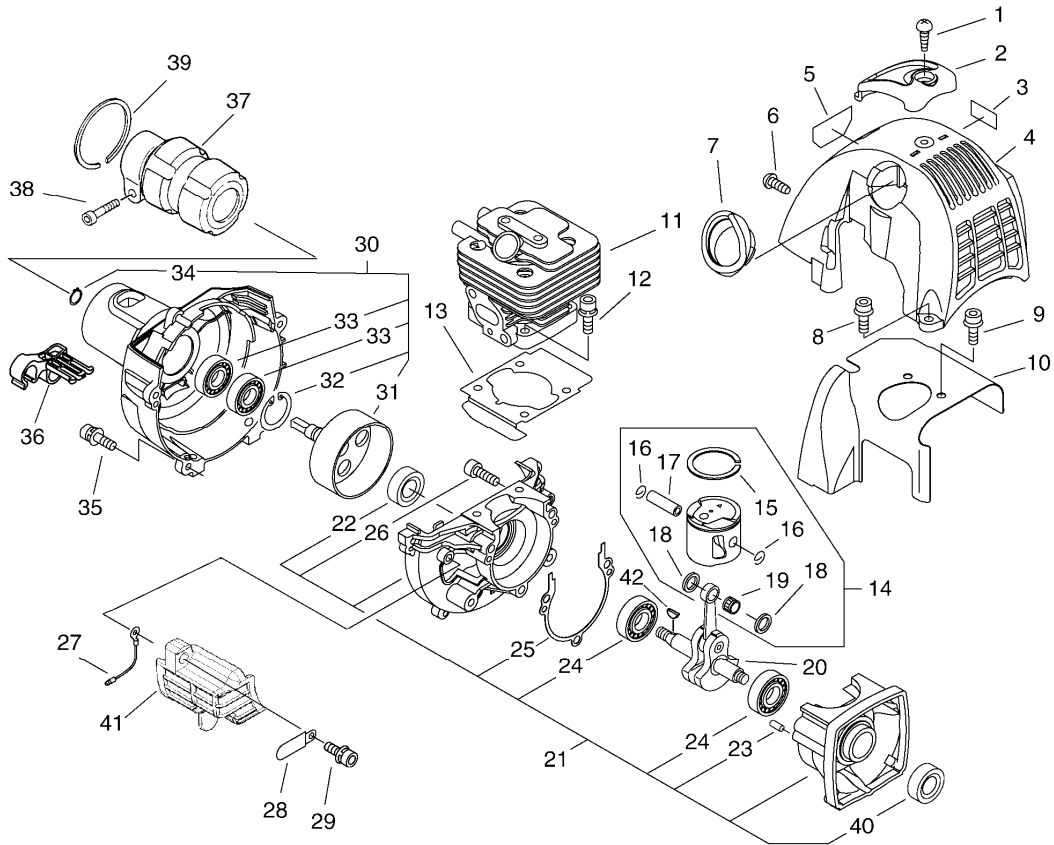
PARTS CATALOG

GRASS-TRIMMER / BRUSHCUTTER

SRM-265TES/U(37)

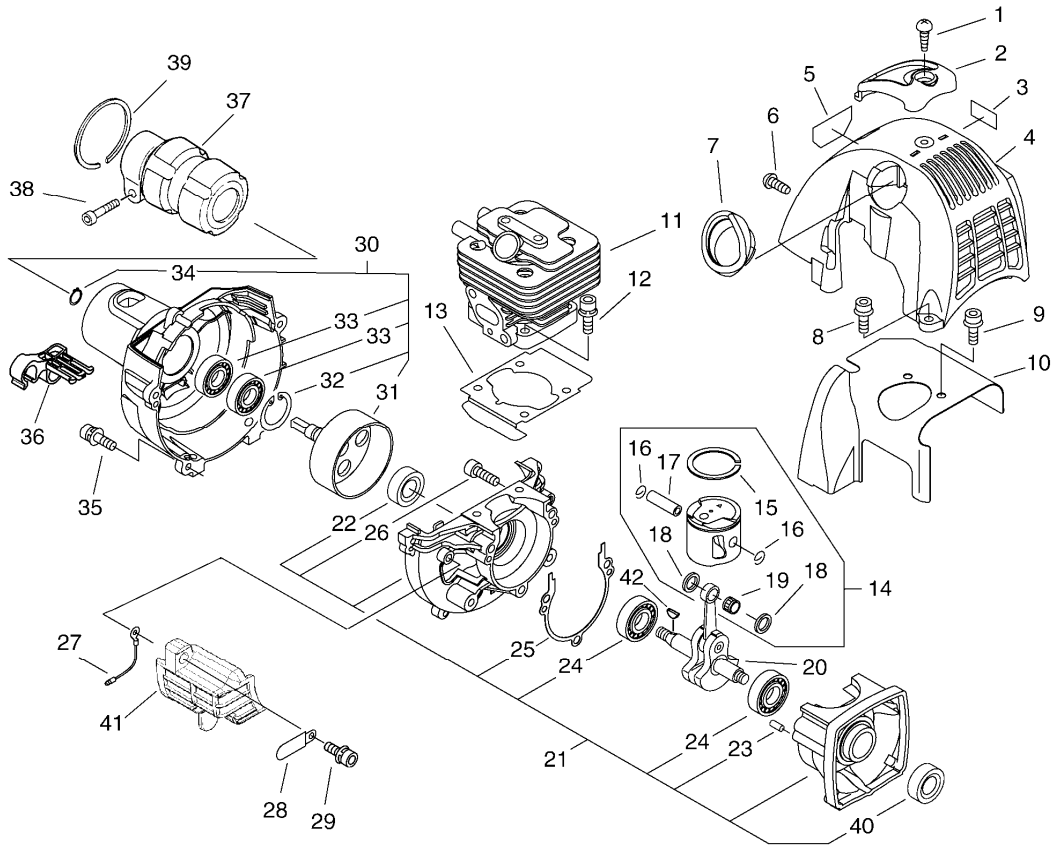
37000161 -

1. CYLINDER, CRANKCASE, PISTON



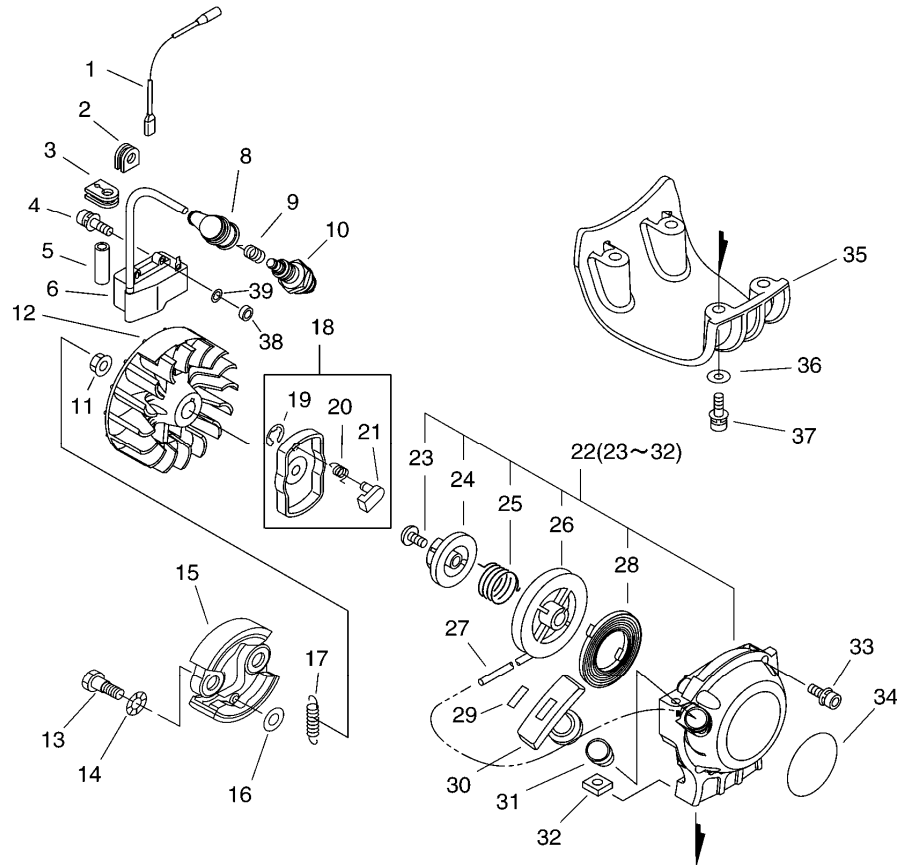
KEY	LV	PART NUMBER	Q'TY	DESCRIPTION	REMARKS	NOTE1	NOTE2
1		900256-05016	1	SCREW, TAPPING	5*16		
2		A162-000100	1	GUARD, TOP			
3		X505-002310	1	LABEL, CAUTION	HOT CAUTION		
4		A160-000780	1	COVER, CYLINDER			
5		X547-001800	1	LABEL, ECHO			
6		91141-05012	1	BOLT	M5*12		
7		A162-000080	1	GUARD, TOP			
8		91121-05016	1	BOLT, FLANGE	10.9 SILVER		
9		900106-05008	2	BOLT, H.S. 5* 8	5*8		
10		A160-000691	1	COVER, CYLINDER			
11		A130-000761	1	CYLINDER			
12		900162-05025	4	BOLT, H.S. 5*25	5*25 W, SW		
13		V100-000210	1	GASKET, CYL	T0.5 38.1		
14		P021-009771	1	PISTON KIT			
15	+	A101-000170	1	RING, PISTON	34*1.5*1.5		
16	+	100015-03931	2	CIRCLIP, PISTON PIN			
17	+	100013-35430	1	PIN, PISTON	6*9*27.8		
18	+	100014-53630	2	SPACER, PISTON PIN			
19	+	100012-16131	1	BEARING, NEEDLE			
20		A011-000434	1	CRANKSHAFT, ASY			
21		P021-010801	1	CRANKCASE KIT			
22	+	100212-42031	1	OILSEAL	ISCD 12*22*4.5		
40	+	V505-000050	1	SEAL, OIL 12			
23	+	100215-03930	2	PIN, DOWEL			
24	+	94035-36201	2	BEARING BALL	6201X3JR2C3		

1. CYLINDER, CRANKCASE, PISTON



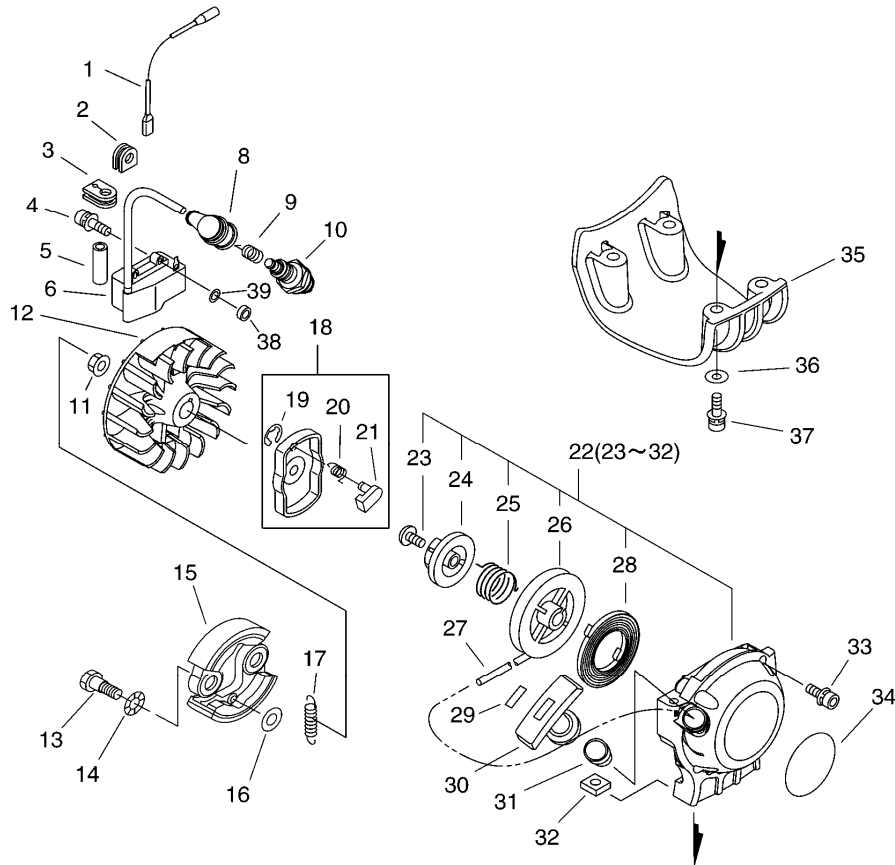
KEY	LV	PART NUMBER	Q'TY	DESCRIPTION	REMARKS	NOTE1	NOTE2
25	+	100242-42030	1	GASKET, CRANKCASE			
26	+	900162-05028	3	BOLT, H.S. 5*28	5*28 W,SW		
27		156635-43130	1	LEAD, GROUND			
28		159116-21231	1	CLAMP			
29		91118-05016	1	BOLT	CM-5*16		
30		P021-013530	1	COVER, FAN ASSY			
31	+	A556-000040	1	DRUM, CLUTCH			
32	+	900702-00028	1	CIRCLIP 28	CR-28		
33	+	900807-06001	2	BEARING, BALL 6001	6001V(LB)		
34	+	900701-00012	1	CIRCLIP 12	CS-12		
35		V202-000090	4	BOLT, 4	4*16		
36		V491-000180	1	CLIP			
37		A575-000110	1	FIXTURE, MAIN PIPE			
38		91118-05028	1	BOLT	CM-5*28		
39		900702-00042	1	CIRCLIP 42	CR-42		
41		A127-000160	1	COVER, DUST			
42		100142-12330	1	KEY, WOODRUFF			

2. STARTER, MAGNETO, CLUTCH



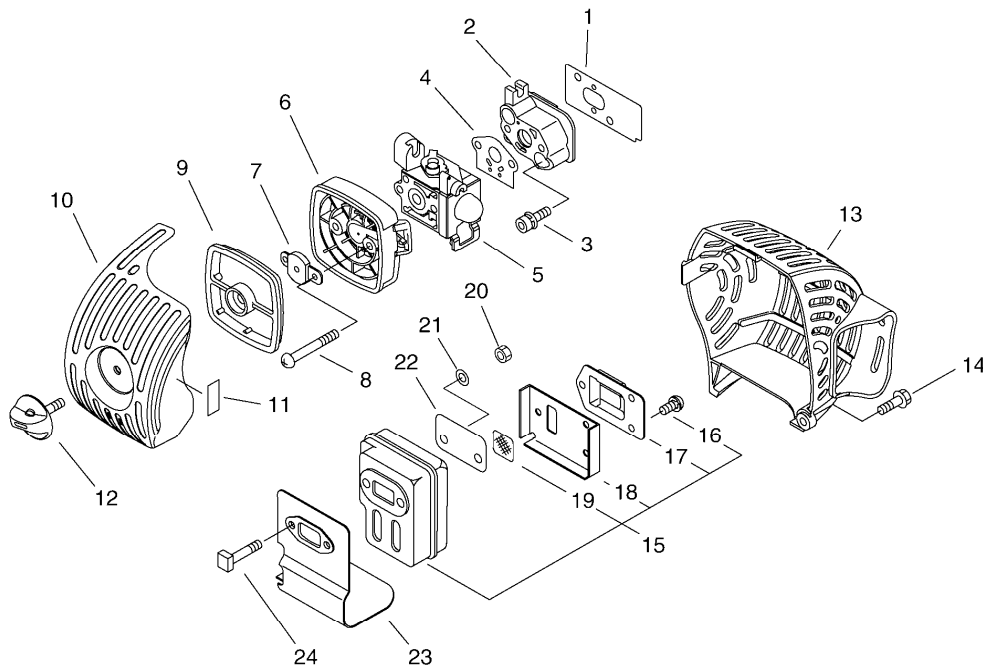
KEY	LV	PART NUMBER	Q'TY	DESCRIPTION	REMARKS	NOTE1	NOTE2
1		162010-04561	1	LEAD, GROUND	210L		
2		156110-04920	1	BUSHING			
3		V135-000030	1	GROMMET, HT CORD			
4		V202-000130	2	BOLT, 4	CBF-4*20		
5		V475-003380	1	TUBE			
6		A411-000251	1	COIL, IGNITION	ID#C10048		
8		A427-000013	1	CAP, SPARK PLUG			
9		A426-000010	1	TERMINAL, SPARKPLUG			
10		A425-000000	1	SPARKPLUG	BPMR8Y		
11		900515-00008	1	NUT, FLANGE 8	8		
12		A409-000310	1	ROTOR, MAGNETO	ID:C10744G		
13		175046-56030	2	SHAFT, CLUTCH			
14		175049-56030	2	WASHER	8.5*16*0.5		
15		A553-000010	2	ARM, CLUTCH			
16		175048-05530	2	WASHER (I)	6.2*19*1.0		
17		V451-000400	1	SPRING, TENSION			
18		A052-000180	1	PULLEY, ASM STARTER			
19	+	P022-002100	2	E-RING	4		
20	+	P022-006510	2	SPRING, RETURN			
21	+	P022-006850	2	PAWL, STARTER			
22		A051-000940	1	STARTER, RECOIL ASY			
23	+	177236-61830	1	SCREW			
24	+	P022-008280	1	PLATE, CAM			
25	+	P022-008270	1	SPRING, DAMPER			
26	+	P022-006830	1	DRUM			
27	+	P022-008260	1	ROPE	3M/M		

2. STARTER, MAGNETO, CLUTCH



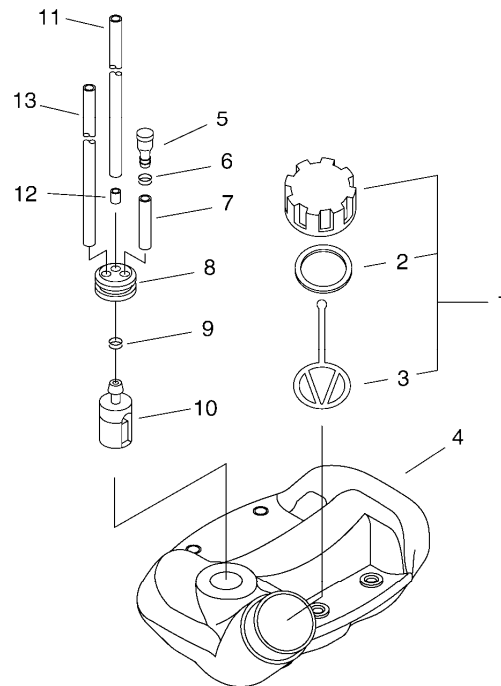
KEY	LV	PART NUMBER	Q'TY	DESCRIPTION	REMARKS	NOTE1	NOTE2
28	+	177220-42030	1	SPRING, REWIND			
29	+	177246-11120	1	CLIP, STARTER ROPE			
30	+	177228-27030	1	GRIP, STARTER			
31	+	177227-42030	1	GUIDE, ROPE			
32	+	P022-022010	4	NUT			
33		V202-000090	4	BOLT, 4	4*16		
34		X502-000330	1	LABEL, ECHO	ECHO		
35		A175-000030	1	STAND			
36		900603-00005	4	WASHER 5	5.5*12*0.8		
37		91118-05025	4	BOLT	CM-5*25		
38		V322-000031	2	WASHER, CIRCULAR 4			
39		900603-00004	2	WASHER 4	4.5*10*0.8		

3. AIR CLEANER, CARBURETOR, MUFFLER



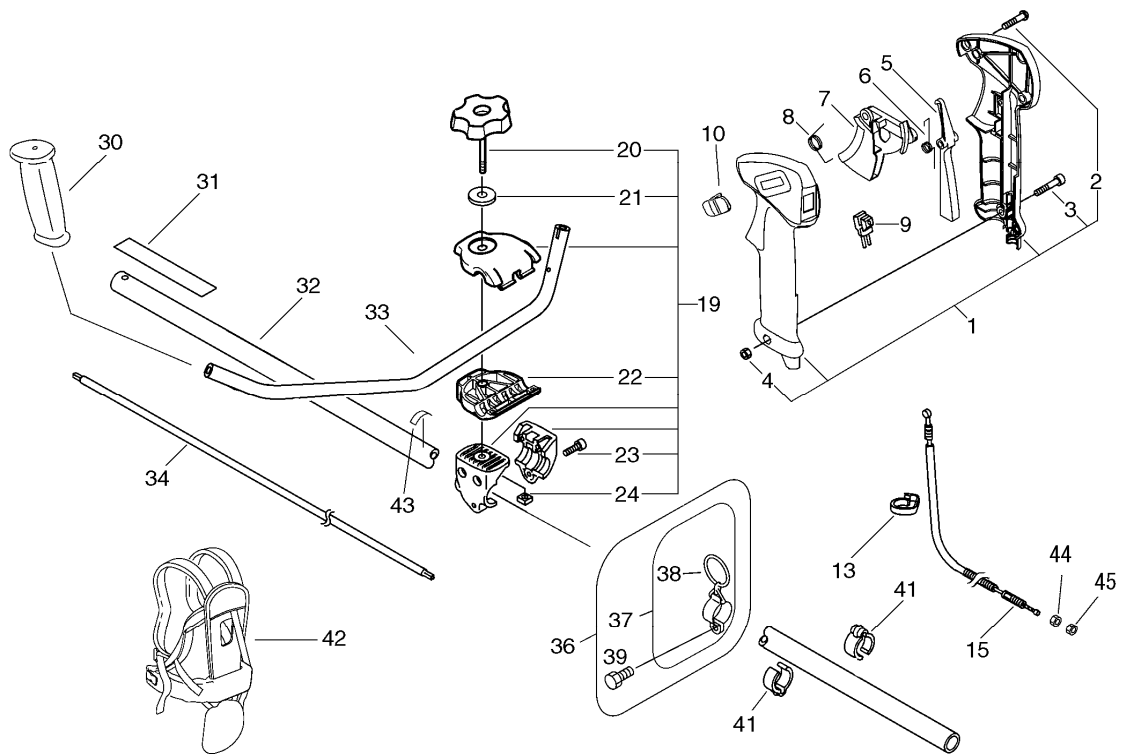
KEY	LV	PART NUMBER	Q'TY	DESCRIPTION	REMARKS	NOTE1	NOTE2
1		V103-000210	1	GASKET,INTAKE			
2		A200-000200	1	INSULATOR,INTAKE			
3		900162-05025	2	BOLT, H.S. 5*25	5*25 W,SW		
4		V103-000270	1	GASKET,INTAKE	T1.5-11		
5		A021-001740	1	CARBURETOR,DIAPHRAGM	RB-K94		
6		P021-000991	1	CASE, AIR CLEANER			
7		129011-52730	1	PLATE, PREVENT			
8		900242-05065	2	SCREW 5*65	5*65		
9		A226-001410	1	ELEMENT,AIR FILTER			
10		A232-000330	1	LID,CLEANER			
11		890332-52730	1	LABEL, CHOKE			
12		V299-000250	1	KNOB,FASTENER			
13		A320-000341	1	COVER,MUFFLER			
14		91121-05016	1	BOLT, FLANGE	10.9 SILVER		
15		P021-011580	1	MUFFLER ASY			
16	+	91367-04010	3	SCREW	4*10/SW(SUS)		
17	+	A313-000830	1	GUIDE, EXHAUST	ID#1330		
18	+	V104-000790	1	GASKET,EXHAUST			
19	+	145862-40630	1	SCREEN, MUFFLER			
20		900500-00005	2	NUT 5	5		
21		92280-05000	2	WASHER, NORD-LOCK	NL5 5.4*9*1.8		
22		V150-001760	1	PLATE,EYE			
23		V104-000780	1	GASKET,EXHAUST			
24		V203-000120	2	BOLT,5	L=60		

4. FUEL TANK



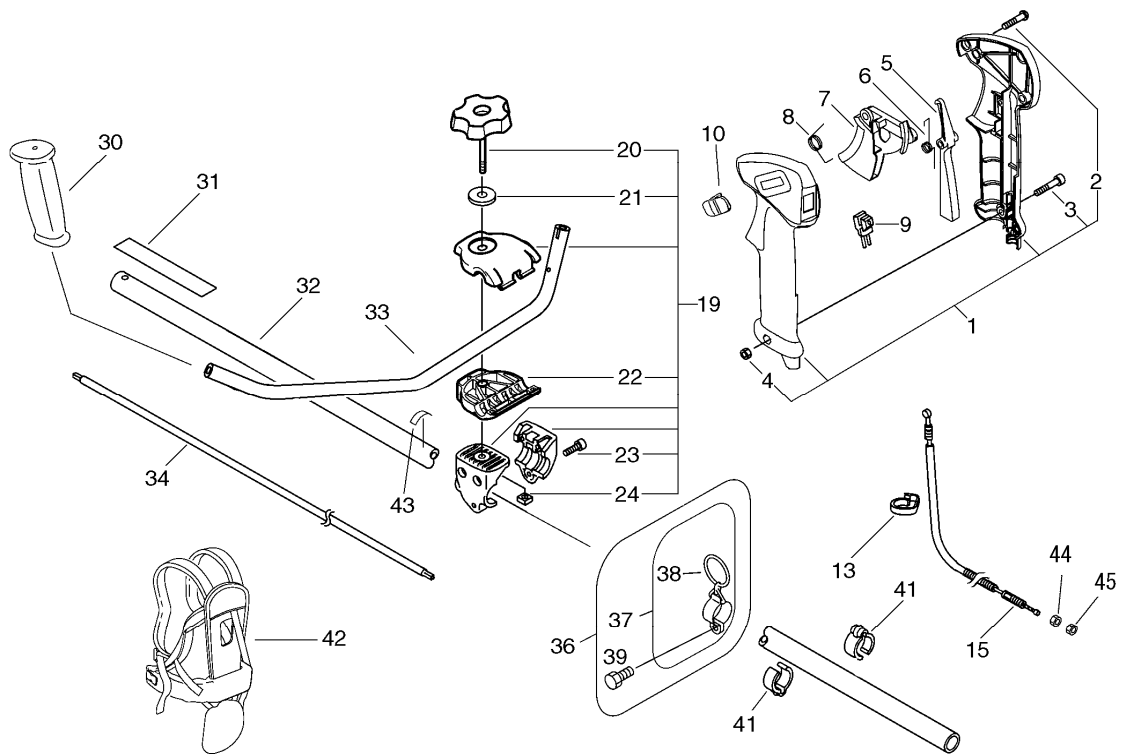
KEY	LV	PART NUMBER	Q'TY	DESCRIPTION	REMARKS	NOTE1	NOTE2
1		P021-012210	1	CAP,FUEL ASY			
2	+	131016-55830	1	GASKET, FUEL CAP			
3	+	A365-000060	1	CONNECTOR,CAP	L=123		
4		A350-000440	1	TANK, FUEL			
5		A356-000030	1	VALVE,CHECK			
6		132013-26630	1	CLIP	6.5MM		
7		V471-001180	1	PIPE	3*6*35 NBR		
8		132115-55930	1	GROMMET, FUEL			
9		132013-09820	1	CLIP	6MM		
10		131205-19831	1	STRAINER, FUEL			
11		V470-000580	1	PIPE	3*5*195		
13		132010-40830	1	PIPE 3*6*75	3*6*75 YL		

5. U-HANDLE



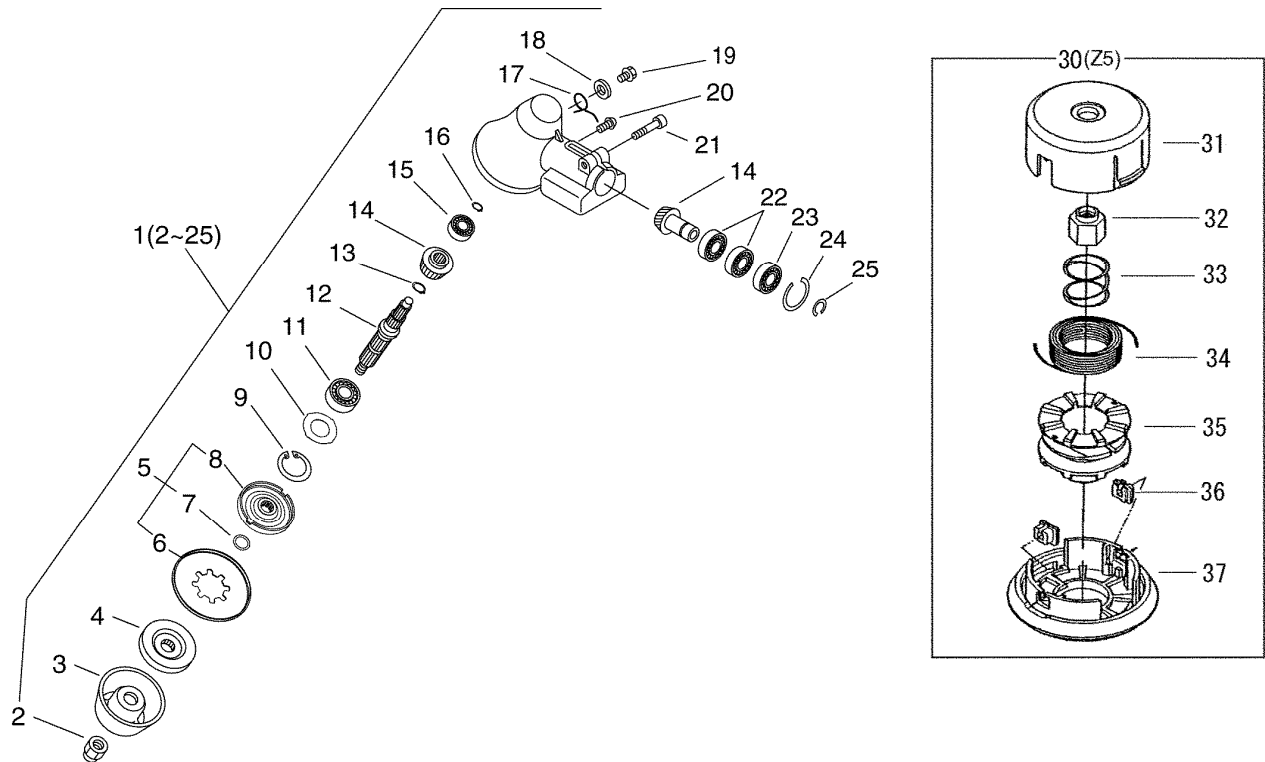
KEY	LV	PART NUMBER	Q'TY	DESCRIPTION	REMARKS	NOTE1	NOTE2
1		P021-014090	1	GRIP ASY,F-HANDLE			
2	+	900256-04016	3	SCREW 4*16	4*16		
3	+	91119-05030	1	BOLT			
4	+	900500-00005	1	NUT 5	5		
5		C460-000111	1	LOCKOUT, THROTTLE	70MM		
6		V452-000350	1	SPRING,TORSION			
7		C450-000270	1	CONTROL, THROTTLE			
8		V452-000360	1	SPRING,TORSION			
9		A440-001031	1	SWITCH, ON OFF	CA-104 CB-104		
10		C463-000020	1	KNOB, LATCH			
13		159112-09961	1	CLIP			
15		V430-002310	1	CABLE,BOWDEN	870+86		
19		P021-012821	1	FIXTURE,ASY HANDLE	SRM-2655SI		
20	+	V299-000110	1	KNOB,FASTENER			
21	+	605014-54230	1	WASHER			
22	+	C423-000042	1	FIXTURE,HANDLE			
23	+	91118-05030	3	BOLT			
24	+	900565-50008	1	NUT	8*1.25		
30		C403-000031	1	GRIP,HANDLE			
31		890617-43130	1	LABEL,CAUTION			
32		C050-000320	1	PIPE,MAIN			
33		C400-000211	1	HANDLE,FRONT			
34		C504-000050	1	SHAFT,DRIVE	7*1540		
36		P021-013580	1	RING, HARNESS KIT			
37	+	301205-21330	1	HOOK			

5. U-HANDLE



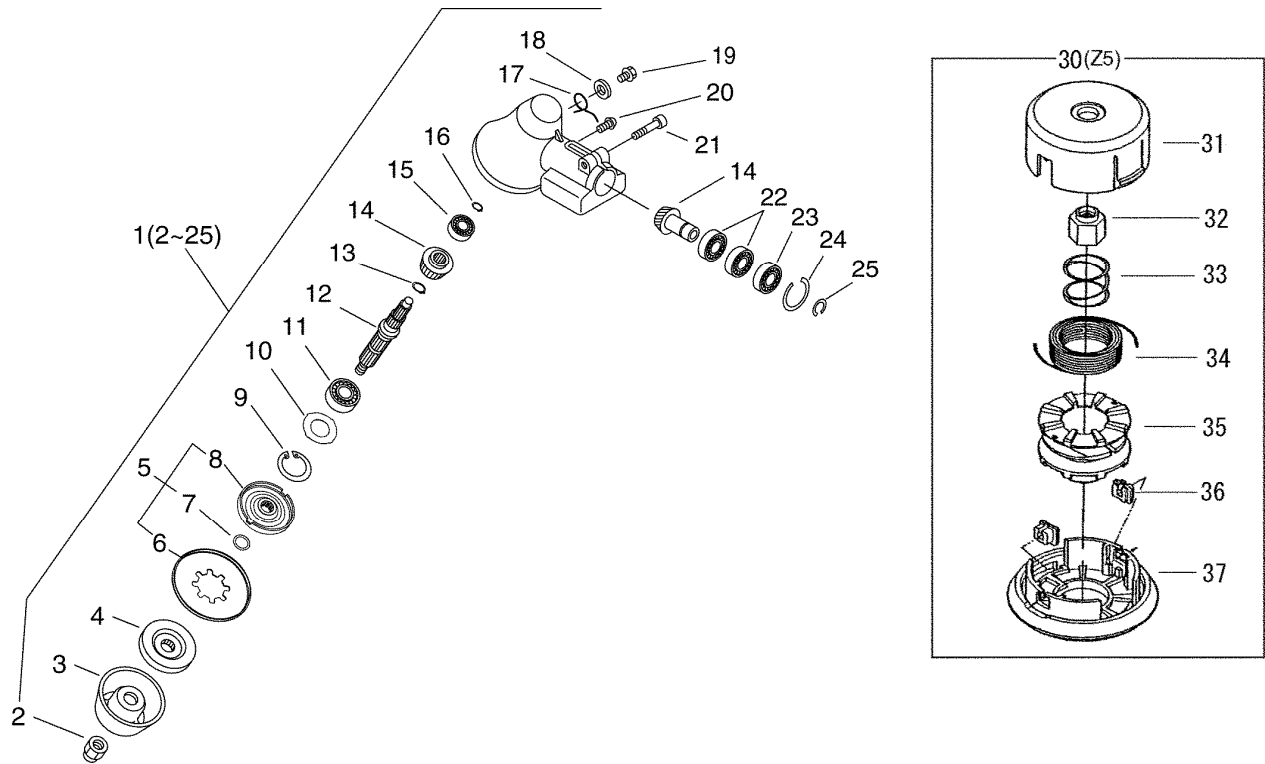
KEY	LV	PART NUMBER	Q'TY	DESCRIPTION	REMARKS	NOTE1	NOTE2
38	++	301015-05330	1	HOOK, BAND			
39	+	91121-05012	1	BOLT, FLANGE	10.9 SILVER		
41		224924-52130	2	CLIP	25MM		
42		C062-000192	1	HARNES, SHOULDER			
43		890152-04930	1	LABEL, CAUTION			
44		900502-00006	1	NUT 6 (3N)	3N6		
45		900518-00006	1	NUT, FLANGE	6		

6. GEAR CASE, CUTTER



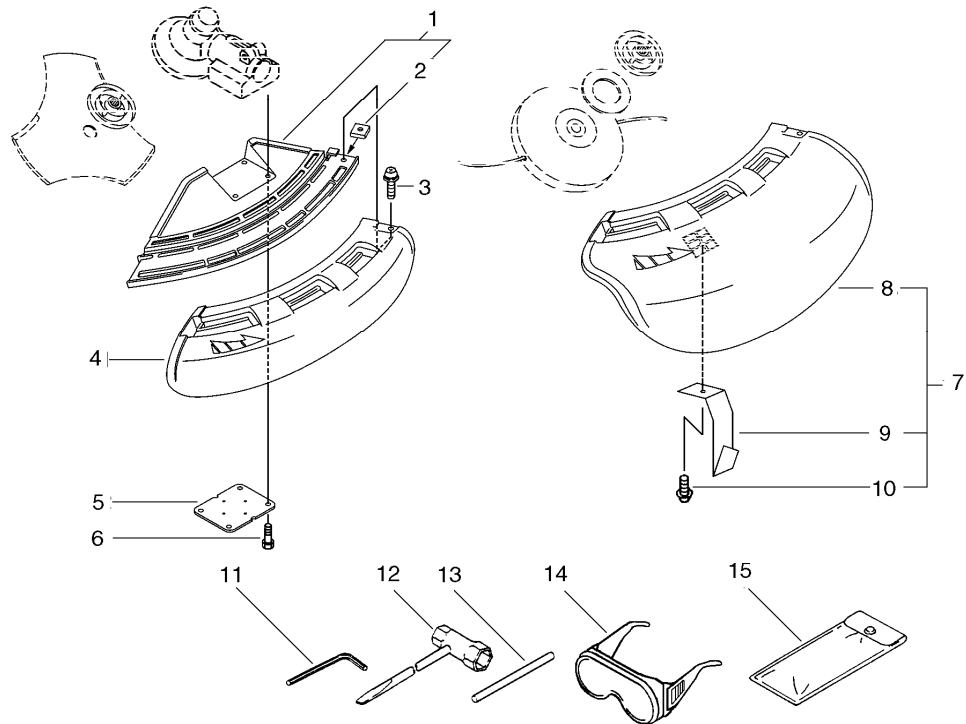
KEY	LV	PART NUMBER	Q'TY	DESCRIPTION	REMARKS	NOTE1	NOTE2
1		P021-035820	1	HOUSING ASY,GEAR			
2	+	610320-52130	1	NUT 10			
3	+	699229-56830	1	PLATE, COVER			
4	+	610314-52130	1	PLATE, ADAPTER (L)			
5	+	C535-000920	1	FIXTURE, BLADE			
6	++	610352-56830	1	PLATE, CUP			
7	++	900720-00012	1	O-RING 12	P-12		
8	++	C535-000930	1	FIXTURE, BLADE			
9	+	900702-00042	1	CIRCLIP 42	CR-42		
10	+	V313-000090	1	WASHER,CIRCULAR 20			
11	+	900812-06302	1	BEARING, BALL	BB6302 LLU,DDU		
12	+	C534-000850	1	SHAFT, GEAR			
13	+	900706-00012	1	CIRCLIP 12	WR-12		
14	+	V000-000110	1	GEAR SET, BEVEL			
15	+	900810-00629	1	BEARING, BALL 629	629		
16	+	900701-00009	1	CIRCLIP 9	CS-9		
17	+	610473-52131	1	SPRING			
18	+	900603-50008	1	WASHER	8.5*18*0.8T		
19	+	610434-50031	1	BOLT 8*8	M8*8		
20	+	900242-05010	1	SCREW 5*10	5*10		
21	+	91118-06025	1	BOLT			
22	+	900855-06900	2	BEARING, BALL 6900	6900		
23	+	900858-06900	1	BEARING, BALL 6900Z	6900Z		
24	+	900702-00022	1	CIRCLIP 22	CR-22		
25	+	900706-00010	1	CIRCLIP 10	WR-10		

6. GEAR CASE, CUTTER



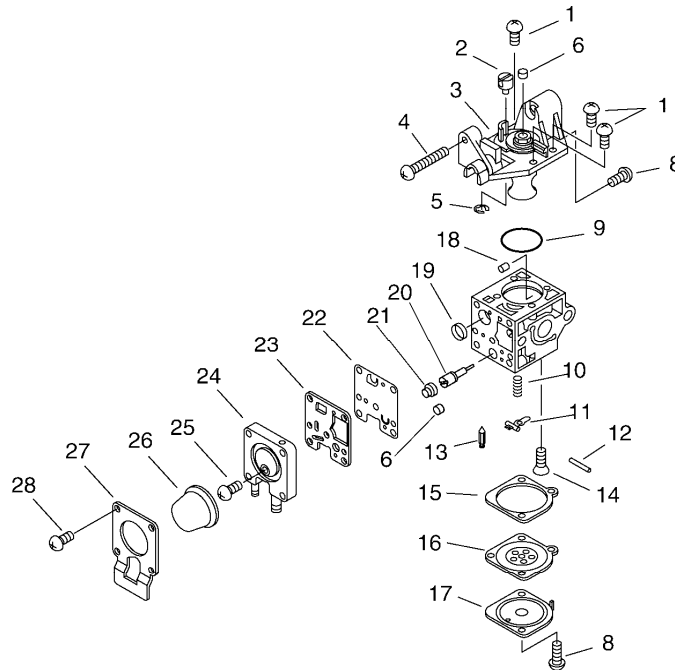
KEY	LV	PART NUMBER	Q'TY	DESCRIPTION	REMARKS	NOTE1	NOTE2
30		X047-000321	1	CUTTER,ASM LINE			
31	+	P022-010420	1	HOUSING			
32	+	P022-023180	1	NUT			
33	+	P022-010370	1	SPRING			
34	+	P022-010380	1	NYLON CODE			
35	+	P022-010400	1	BOBBIN			
36	+	P022-000710	2	EYELET	T4		
37	+	P022-010410	1	COVER			

7. SHIELD



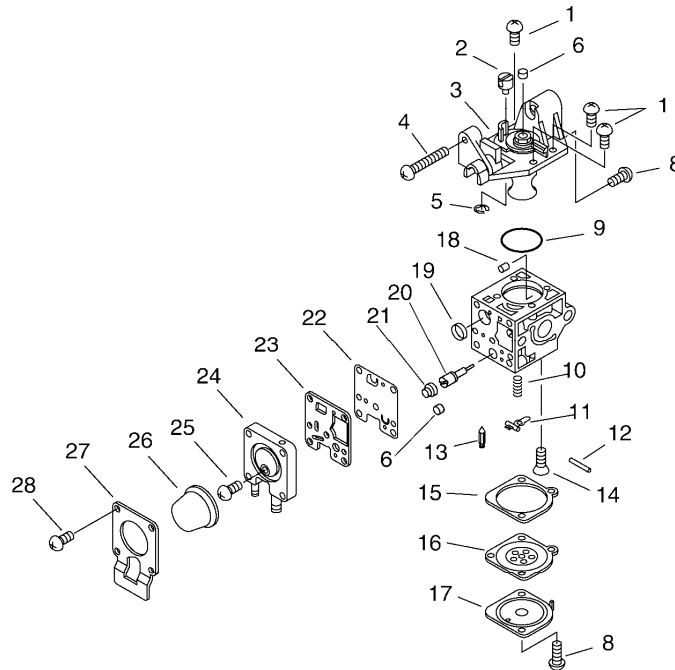
KEY	LV	PART NUMBER	Q'TY	DESCRIPTION	REMARKS	NOTE1	NOTE2
1		C550-000100	1	SHIELD, BLADE			
2	+	900565-00005	1	NUT	5		
3		91118-05018	1	BOLT	CM-5*18		
4		C550-000090	1	SHIELD, BLADE			
5		699013-56830	1	PLATE, SHIELD			
6		91118-05025	4	BOLT	CM-5*25		
7		P021-013770	1	SHIELD KIT			
8	+	C550-000080	1	SHIELD, BLADE			
9	+	C554-000030	1	KNIFE, CORD	17INCH		
10	+	900252-05012	1	SCREW 5*12	5*12		
11		895610-00130	1	L-WRENCH (4MM)			
12		X602-000020	1	TOOL, WRENCH	17*19 L200		
13		X606-000080	1	TOOL, BAR	5*120		
14		X690-000050	1	GOGGLE	GOGGLE + NOTE		
15		898510-39130	1	BAG, TOOL			

8. CARBURETOR



KEY	LV	PART NUMBER	Q'TY	DESCRIPTION	REMARKS	NOTE1	NOTE2
		A021-001740	1	CARBURETOR,DIAPHRAGM	RB-K94		
1	+	125344-13931	3	SCREW			
2	+	P005-001240	1	POST			
3	+	P005-002070	1	COVER ASY, ROTOR			
4	+	P005-000100	1	SCREW,THROTTLEADJUST			
5	+	P005-000190	1	E-RING			
6	+	P005-001270	2	PLUG, H AJUST SCREW			
8	+	125344-52130	3	SCREW			
9	+	P005-000280	1	O-RING			
10	+	125322-07260	1	SPRING, COIL			
11	+	125323-08260	1	ARM, VALVE			
12	+	125338-13930	1	PIN, METERING ARM			
13	+	125337-08260	1	VALVE, INLET NEEDLE			
14	+	125339-42030	1	SCREW			
15	+	P005-000200	1	GASKET, METERING			
16	+	P005-001780	1	DIAPHRAGM			
17	+	125342-52130	1	COVER, DIAPHRAGM			
18	+	P005-001000	1	ROLLER, GUIDE			
19	+	P005-000010	1	STRAINER			
20	+	P005-001290	1	SCREW,MAINN MIXTURE			
21	+	P005-001250	1	RETAINER,PLUG BALL			
22	+	P005-000510	1	DIAPHRAGM, PUMP			
23	+	P005-000520	1	GASKET, PUMP			
24	+	P005-001890	1	BASE, ASY PRIMER			
25	+	P005-000270	1	SCREW			
26	+	125381-08660	1	PUMP, PRIMING			

8. CARBURETOR



KEY	LV	PART NUMBER	Q'TY	DESCRIPTION	REMARKS	NOTE1	NOTE2
27	+	P005-000250	1	RETAINER			
28	+	P005-001900	4	SCREW			

Index

Patrs Number	Key No.	Patrs Number	Key No.	Patrs Number	Key No.
100012-16131	1 - 19	890152-04930	5 - 43	91141-05012	1 - 6
100013-35430	1 - 17	890332-52730	3 - 11	91367-04010	3 - 16
100014-53630	1 - 18	890617-43130	5 - 31	92280-05000	3 - 21
100015-03931	1 - 16	895610-00130	7 - 11	94035-36201	1 - 24
100142-12330	1 - 42	898510-39130	7 - 15	A011-000434	1 - 20
100212-42031	1 - 22	900106-05008	1 - 9	A021-001740	3 - 5
100215-03930	1 - 23	900162-05025	1 - 12	A021-001740	8 -
100242-42030	1 - 25	900162-05025	3 - 3	A051-000940	2 - 22
125322-07260	8 - 10	900162-05028	1 - 26	A052-000180	2 - 18
125323-08260	8 - 11	900242-05010	6 - 20	A101-000170	1 - 15
125337-08260	8 - 13	900242-05065	3 - 8	A127-000160	1 - 41
125338-13930	8 - 12	900252-05012	7 - 10	A130-000761	1 - 11
125339-42030	8 - 14	900256-04016	5 - 2	A160-000691	1 - 10
125342-52130	8 - 17	900256-05016	1 - 1	A160-000780	1 - 4
125344-13931	8 - 1	900500-00005	3 - 20	A162-000080	1 - 7
125344-52130	8 - 8	900500-00005	5 - 4	A162-000100	1 - 2
125381-08660	8 - 26	900502-00006	5 - 44	A175-000030	2 - 35
129011-52730	3 - 7	900515-00008	2 - 11	A200-000200	3 - 2
131016-55830	4 - 2	900518-00006	5 - 45	A226-001410	3 - 9
131205-19831	4 - 10	900565-00005	7 - 2	A232-000330	3 - 10
132010-40830	4 - 13	900565-50008	5 - 24	A313-000830	3 - 17
132013-09820	4 - 9	900603-00004	2 - 39	A320-000341	3 - 13
132013-26630	4 - 6	900603-00005	2 - 36	A350-000440	4 - 4
132115-55930	4 - 8	900603-50008	6 - 18	A356-000030	4 - 5
145862-40630	3 - 19	900701-00009	6 - 16	A365-000060	4 - 3
156110-04920	2 - 2	900701-00012	1 - 34	A409-000310	2 - 12
156635-43130	1 - 27	900702-00022	6 - 24	A411-000251	2 - 6
159112-09961	5 - 13	900702-00028	1 - 32	A425-000000	2 - 10
159116-21231	1 - 28	900702-00042	1 - 39	A426-000010	2 - 9
162010-04561	2 - 1	900702-00042	6 - 9	A427-000013	2 - 8
175046-56030	2 - 13	900706-00010	6 - 25	A440-001031	5 - 9
175048-05530	2 - 16	900706-00012	6 - 13	A553-000010	2 - 15
175049-56030	2 - 14	900720-00012	6 - 7	A556-000040	1 - 31
177220-42030	2 - 28	900807-06001	1 - 33	A575-000110	1 - 37
177227-42030	2 - 31	900810-00629	6 - 15	C050-000320	5 - 32
177228-27030	2 - 30	900812-06302	6 - 11	C062-000192	5 - 42
177236-61830	2 - 23	900855-06900	6 - 22	C400-000211	5 - 33
177246-11120	2 - 29	900858-06900	6 - 23	C403-000031	5 - 30
224924-52130	5 - 41	91118-05016	1 - 29	C423-000042	5 - 22
301015-05330	5 - 38	91118-05018	7 - 3	C450-000270	5 - 7
301205-21330	5 - 37	91118-05025	2 - 37	C460-000111	5 - 5
605014-54230	5 - 21	91118-05025	7 - 6	C463-000020	5 - 10
610314-52130	6 - 4	91118-05028	1 - 38	C504-000050	5 - 34
610320-52130	6 - 2	91118-05030	5 - 23	C534-000850	6 - 12
610352-56830	6 - 6	91118-06025	6 - 21	C535-000920	6 - 5
610434-50031	6 - 19	91119-05030	5 - 3	C535-000930	6 - 8
610473-52131	6 - 17	91121-05012	5 - 39	C550-000080	7 - 8
699013-56830	7 - 5	91121-05016	1 - 8	C550-000090	7 - 4
699229-56830	6 - 3	91121-05016	3 - 14	C550-000100	7 - 1

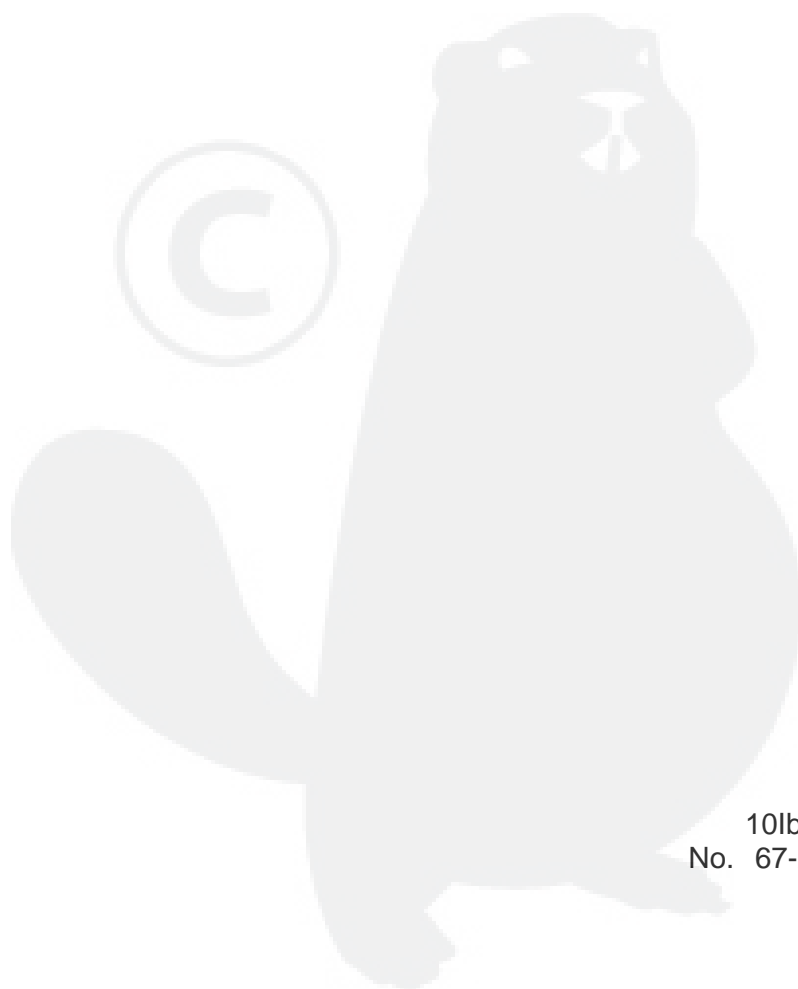
Index

Patrs Number	Key No.	Patrs Number	Key No.	Patrs Number	Key No.
C554-000030	7 - 9	V104-000780	3 - 23		
P005-000010	8 - 19	V104-000790	3 - 18		
P005-000100	8 - 4	V135-000030	2 - 3		
P005-000190	8 - 5	V150-001760	3 - 22		
P005-000200	8 - 15	V202-000090	1 - 35		
P005-000250	8 - 27	V202-000090	2 - 33		
P005-000270	8 - 25	V202-000130	2 - 4		
P005-000280	8 - 9	V203-000120	3 - 24		
P005-000510	8 - 22	V299-000110	5 - 20		
P005-000520	8 - 23	V299-000250	3 - 12		
P005-001000	8 - 18	V313-000090	6 - 10		
P005-001240	8 - 2	V322-000031	2 - 38		
P005-001250	8 - 21	V430-002310	5 - 15		
P005-001270	8 - 6	V451-000400	2 - 17		
P005-001290	8 - 20	V452-000350	5 - 6		
P005-001780	8 - 16	V452-000360	5 - 8		
P005-001890	8 - 24	V470-000580	4 - 11		
P005-001900	8 - 28	V471-001180	4 - 7		
P005-002070	8 - 3	V475-003380	2 - 5		
P021-000991	3 - 6	V491-000180	1 - 36		
P021-009771	1 - 14	V505-000050	1 - 40		
P021-010801	1 - 21	X047-000321	6 - 30		
P021-011580	3 - 15	X502-000330	2 - 34		
P021-012210	4 - 1	X505-002310	1 - 3		
P021-012821	5 - 19	X547-001800	1 - 5		
P021-013530	1 - 30	X602-000020	7 - 12		
P021-013580	5 - 36	X606-000080	7 - 13		
P021-013770	7 - 7	X690-000050	7 - 14		
P021-014090	5 - 1				
P021-035820	6 - 1				
P022-000710	6 - 36				
P022-002100	2 - 19				
P022-006510	2 - 20				
P022-006830	2 - 26				
P022-006850	2 - 21				
P022-008260	2 - 27				
P022-008270	2 - 25				
P022-008280	2 - 24				
P022-010370	6 - 33				
P022-010380	6 - 34				
P022-010400	6 - 35				
P022-010410	6 - 37				
P022-010420	6 - 31				
P022-022010	2 - 32				
P022-023180	6 - 32				
V000-000110	6 - 14				
V100-000210	1 - 13				
V103-000210	3 - 1				
V103-000270	3 - 4				

YAMABIKO CORPORATION

7-2 SUEHIROCHO 1-CHOME, OHME, TOKYO 198-8760, JAPAN
PHONE: 81-428-32-6118. FAX: 81-428-32-6145.

ECHO®



10lb
No. 67-273