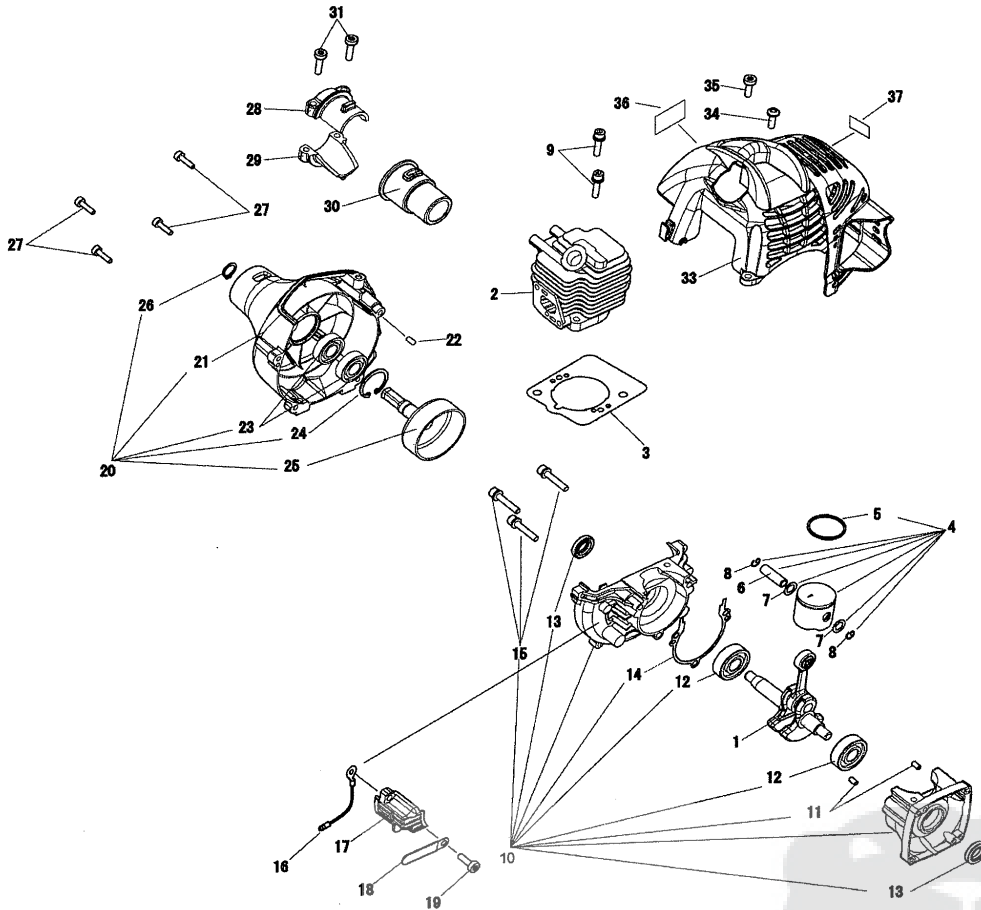


SRM235ES

PartsList Master - -

Page 1 of 2

Cylinder, Crankcase, Piston



Cylinder, Crankcase, Piston

| Key | Lv | Part no. | Part description | Quantity |
|-----|----|--------------|--------------------|----------|
| 1 | | A011-000101 | CRANKSHAFT,ASM | 1 |
| 2 | | A130-000540 | CYLINDER | 1 |
| 3 | | V100-000160 | GASKET,CYL | 1 |
| 4 | | P021-007712 | PISTON KIT | 1 |
| 5 | + | A101-000090 | RING,PISTON | 1 |
| 6 | + | 100013-11520 | PIN, PISTON | 1 |
| 7 | + | 100014-11520 | SPACER, PISTON PIN | 2 |

<https://plist.yamabiko-corp.co.jp/PartsList/PartsListExhibit/plmG0570.html?ASSYNO=S...> 12/07/2011

SRM235ES

PartsList Master - -

Page 2 of 2

| | | | | |
|----|---|--------------|---------------------|---|
| 8 | + | 100015-04630 | CIRCLIP, PISTON PIN | 2 |
| 9 | | 900162-05022 | BOLT, H.S. 5*22 | 2 |
| 10 | | 100204-52132 | CRANKCASE KIT | 1 |
| 11 | + | V622-000020 | PIN, STRAIGHT 4 | 2 |
| 12 | + | 94035-36201 | BEARING BALL | 2 |
| 13 | + | 100212-42031 | OILSEAL | 2 |
| 14 | + | 100242-42030 | GASKET, CRANKCASE | 1 |
| 15 | + | 900162-05028 | BOLT, H.S. 5*28 | 3 |
| 16 | | 156635-43130 | LEAD, GROUND | 1 |
| 17 | | A127-000160 | COVER, DUST | 1 |
| 18 | | 159116-21231 | CLAMP | 1 |
| 19 | | V805-000150 | BOLT, TORX 5 | 1 |
| 20 | | P021-016170 | COVER, FAN ASSY | 1 |
| 21 | + | A172-000860 | COVER, FAN | 1 |
| 22 | + | 100215-03930 | PIN, DOWEL | 2 |
| 23 | + | 900807-06001 | BEARING, BALL 6001 | 2 |
| 24 | + | 900702-00028 | CIRCLIP 28 | 1 |
| 25 | + | A556-000530 | DRUM, CLUTCH | 1 |
| 26 | + | 900701-00012 | CIRCLIP 12 | 1 |
| 27 | | V804-000060 | BOLT, TORX 4 | 4 |
| 28 | | 610922-27432 | HOLDER | 1 |
| 29 | | 610923-55230 | HOLDER | 1 |
| 30 | | 610910-55230 | CUSHION | 1 |
| 31 | | V805-000160 | BOLT, TORX 5 | 2 |
| 33 | | A160-001090 | COVER, CYLINDER | 1 |
| 34 | | V805-000000 | BOLT, TORX 5 | 1 |
| 35 | | V805-000150 | BOLT, TORX 5 | 1 |
| 36 | | X547-001430 | LABEL, ECHO | 1 |
| 37 | | X505-002310 | LABEL, CAUTION | 1 |

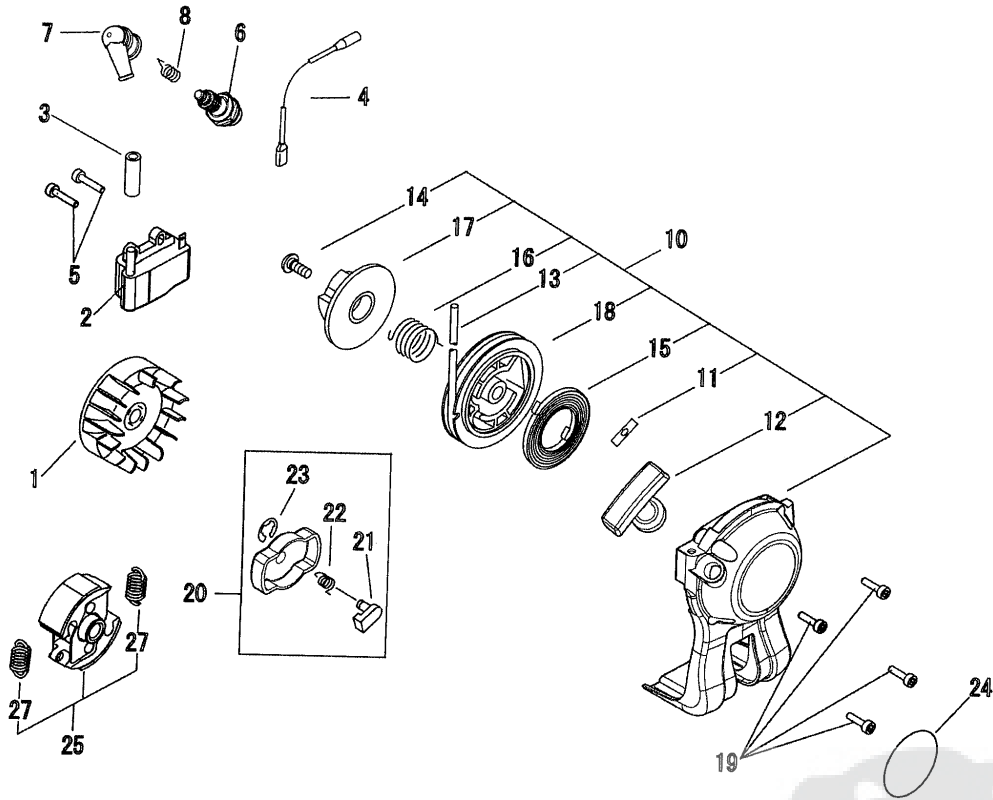


SRM235ES

PartsList Master - -

Page 1 of 2

Starter, Magneto



Starter, Magneto

| Key | Lv | Part no. | Part description | Quantity |
|-----|----|-------------|------------------|----------|
| 1 | | A409-000210 | ROTOR,MAGNETO | 1 |
| 2 | | A411-000130 | COIL,IGNITION | 1 |
| 3 | | V475-004160 | TUBE | 1 |
| 4 | | V485-001120 | LEAD | 1 |
| 5 | | V804-000070 | BOLT, TORX 4 | 2 |
| 6 | | A425-000000 | SPARKPLUG | 1 |
| 7 | | A427-000013 | CAP,SPARK PLUG | 1 |

<https://plist.yamabiko-corp.co.jp/PartsList/PartsListExhibit/plmG0570.html?ASSYNO=S...> 12/07/2011

SRM235ES

PartsList Master - -

Page 2 of 2

| | | | | |
|----|---|--------------|---------------------|---|
| 8 | | A426-000010 | TERMINAL, SPARKPLUG | 1 |
| 10 | | A051-001311 | STARTER, RECOIL ASY | 1 |
| 11 | + | 177246-11120 | CLIP, STARTER ROPE | 1 |
| 12 | + | 177228-27030 | GRIP, STARTER | 1 |
| 13 | + | P022-019990 | ROPE, STARTER | 1 |
| 14 | + | 177236-61830 | SCREW | 1 |
| 15 | + | P022-019680 | SPRING, SPIRAL | 1 |
| 16 | + | P022-008270 | SPRING, DAMPER | 1 |
| 17 | + | P022-008280 | PLATE, CAM | 1 |
| 18 | + | P022-006830 | DRUM | 1 |
| 19 | | V804-000060 | BOLT, TORX 4 | 4 |
| 20 | | A052-000180 | PULLEY, ASM STARTER | 1 |
| 21 | + | P022-006850 | PAWL, STARTER | 2 |
| 22 | + | P022-006510 | SPRING, RETURN | 2 |
| 23 | + | P022-002100 | E-RING | 2 |
| 24 | | X502-000330 | LABEL, ECHO | 1 |
| 25 | | 175000-52734 | CLUTCH ASY | 1 |
| 27 | + | 175018-52131 | SPRING, CLUTCH | 2 |

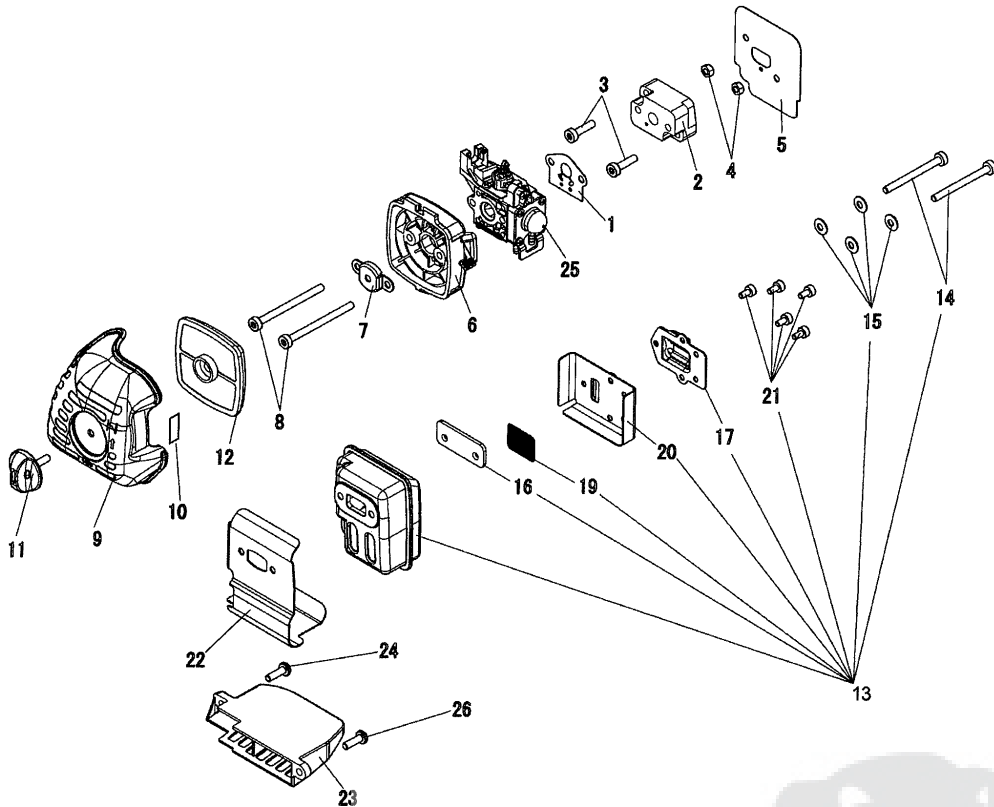


SRM235ES

PartsList Master - -

Page 1 of 2

Air Cleaner, Carburetor, Muffler



Air Cleaner, Carburetor, Muffler

| Key | Lv | Part no. | Part description | Quantity |
|-----|----|--------------|------------------|----------|
| 1 | | V103-000480 | GASKET,INTAKE | 1 |
| 2 | | 130017-44331 | INSULATOR | 1 |
| 3 | | V805-000160 | BOLT, TORX 5 | 2 |
| 4 | | 900500-00005 | NUT 5 | 2 |
| 5 | | V103-000490 | GASKET,INTAKE | 1 |
| 6 | | P021-012870 | CLEANER CASE ASY | 1 |
| 7 | | 129011-52730 | PLATE, PREVENT | 1 |

<https://plist.yamabiko-corp.co.jp/PartsList/PartsListExhibit/plmG0570.html?ASSYNO=S...> 12/07/2011

SRM235ES

PartsList Master - -

Page 2 of 2

| | | | | |
|----|---|--------------|----------------------|---|
| 8 | | V805-000100 | BOLT, TORX 5 | 2 |
| 9 | | A232-000480 | LID,CLEANER | 1 |
| 10 | | 890121-52730 | LABEL, CHOKE | 1 |
| 11 | | V299-000250 | KNOB,FASTENER | 1 |
| 12 | | 130310-54130 | FILTER, AIR | 1 |
| 13 | | P021-016650 | MUFFLER ASY | 1 |
| 14 | + | V805-000190 | BOLT, TORX 5 | 2 |
| 15 | + | V347-000000 | WASHER, CONICAL | 4 |
| 16 | + | V150-000371 | PLATE,EYE | 1 |
| 17 | + | A313-000600 | GUIDE,EXH | 1 |
| 19 | + | 145862-40630 | SCREEN, MUFFLER | 1 |
| 20 | + | V104-000360 | GASKET,EXHAUST | 1 |
| 21 | + | V804-000080 | BOLT, TORX 4 | 5 |
| 22 | | V104-000850 | GASKET,EXHAUST | 1 |
| 23 | | A320-000480 | COVER,MUFFLER | 1 |
| 24 | | V805-000000 | BOLT, TORX 5 | 1 |
| 25 | | A021-001690 | CARBURETOR,DIAPHRAGM | 1 |
| 26 | | V805-000150 | BOLT, TORX 5 | 1 |

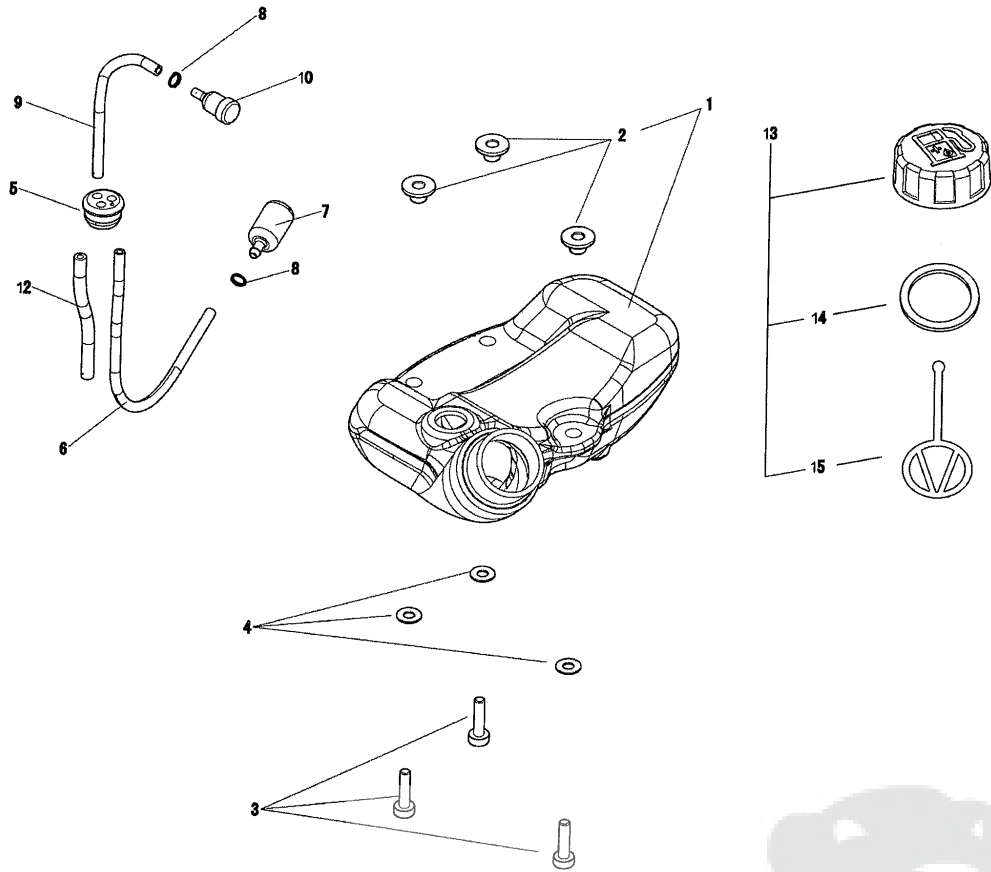


SRM235ES

PartsList Master - -

Page 1 of 2

Fuel Tank



Fuel Tank

| Key | Lv | Part no. | Part description | Quantity |
|-----|----|--------------|------------------|----------|
| 1 | | A350-000801 | TANK, FUEL | 1 |
| 2 | + | V353-000231 | COLLAR,5 | 3 |
| 3 | | V805-000160 | BOLT, TORX 5 | 3 |
| 4 | | 900603-00005 | WASHER 5 | 3 |
| 5 | | 132115-46730 | GROMMET, FUEL | 1 |
| 6 | | V471-001230 | PIPE | 1 |
| 7 | | 131205-07320 | STRAINER, FUEL | 1 |

<https://plist.yamabiko-corp.co.jp/PartsList/PartsListExhibit/plmG0570.html?ASSYNO=S...> 12/07/2011

SRM235ES

PartsList Master - -

Page 2 of 2

| | | | | |
|----|---|--------------|------------------|---|
| 8 | | 132013-09820 | CLIP | 2 |
| 9 | | V471-001210 | PIPE | 1 |
| 10 | | A356-000030 | VALVE,CHECK | 1 |
| 12 | | 132012-56030 | PIPE | 1 |
| 13 | | P021-012210 | CAP,FUEL ASY | 1 |
| 14 | + | 131016-55830 | GASKET, FUEL CAP | 1 |
| 15 | + | A365-000060 | CONNECTOR,CAP | 1 |



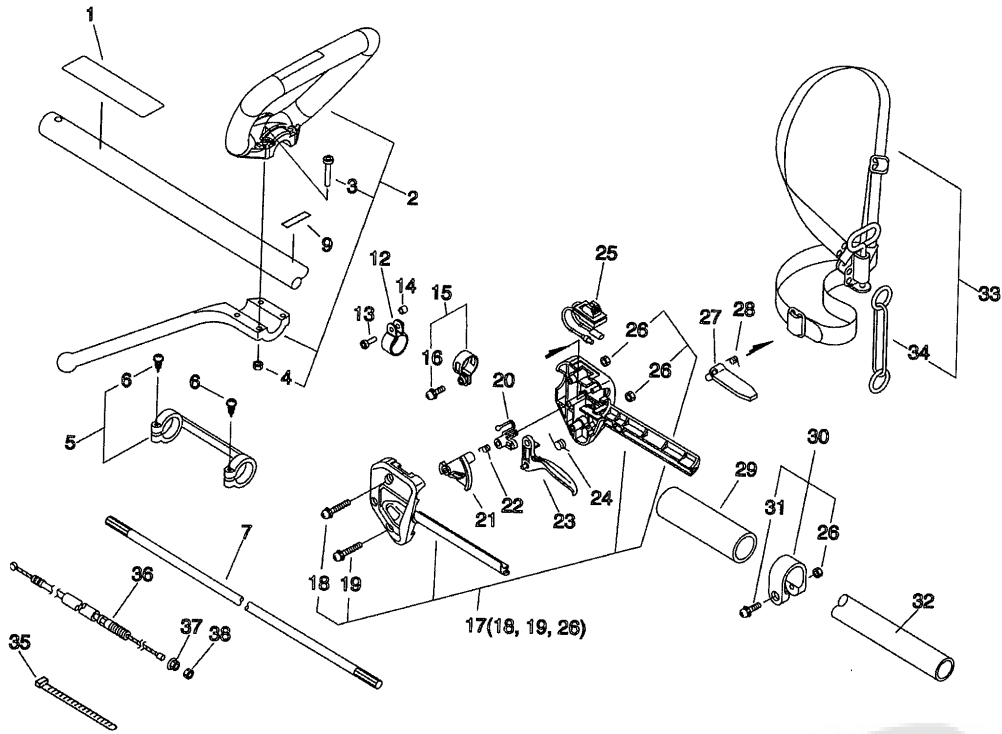
<https://plist.yamabiko-corp.co.jp/PartsList/PartsListExhibit/plmG0570.html?ASSYNO=S...> 12/07/2011

SRM235ES

PartsList Master - -

Page 1 of 2

Handle(L)



Handle(L)

| Key | Lv | Part no. | Part description | Quantity |
|-----|----|--------------|------------------|----------|
| 1 | | 890617-43130 | LABEL, CAUTION | 1 |
| 2 | | P021-016180 | FRONT HANDLE ASY | 1 |
| 3 | + | V805-000050 | BOLT, TORX 5 | 4 |
| 4 | + | 900500-00005 | NUT 5 | 4 |
| 5 | | 610281-54131 | COLLER | 1 |
| 6 | + | 900253-04025 | SCREW 4*25 | 2 |
| 7 | | 610018-27830 | SHAFT, DRIVE | 1 |

<https://plist.yamabiko-corp.co.jp/PartsList/PartsListExhibit/plmG0570.html?ASSYNO=S...> 12/07/2011

SRM235ES

| | | | | |
|----|---|--------------|-----------------------|---|
| 9 | | 890152-04930 | LABEL, CAUTION | 1 |
| 12 | | 301207-08930 | HOOK | 1 |
| 13 | | V805-000150 | BOLT, TORX 5 | 1 |
| 14 | | 699012-03330 | SPACER | 1 |
| 15 | | 301200-29430 | BAND ASSY | 1 |
| 16 | + | 900242-05014 | SCREW 5*14 | 1 |
| 17 | | P021-016190 | BRACKET SET, THROTTLE | 1 |
| 18 | + | V805-000060 | BOLT, TORX 5 | 1 |
| 19 | + | V805-000170 | BOLT, TORX 5 | 1 |
| 26 | + | 900500-00005 | NUT 5 | 2 |
| 20 | | C461-000000 | LATCH, THROTTLE | 1 |
| 21 | | C461-000010 | LATCH, THROTTLE | 1 |
| 22 | | V452-000120 | SPRING, TORSION | 1 |
| 23 | | C450-000110 | TRIGGER, THROTTLE | 1 |
| 24 | | 178043-42230 | SPRING, THR. RETURN | 1 |
| 25 | | A440-001240 | SWITCH, ON OFF | 1 |
| 27 | | 178090-52632 | LOCKOUT, T. CONTROL | 1 |
| 28 | | 178013-52630 | SPRING, THR. LOCK | 1 |
| 29 | | C403-000140 | GRIP, HANDLE | 1 |
| 30 | | P021-016200 | BAND 25 | 1 |
| 31 | + | V805-000170 | BOLT, TORX 5 | 1 |
| 26 | + | 900500-00005 | NUT 5 | 1 |
| 32 | | 610206-28230 | HOUSING ASS'Y D, SFT. | 1 |
| 33 | | 301001-46731 | HARNESS, SHOULDER | 1 |
| 34 | + | 301305-24330 | LINK | 1 |
| 35 | | 178121-08550 | BAND | 1 |
| 36 | | V430-002290 | CABLE, BOWDEN | 1 |
| 37 | | 900518-00006 | NUT, FLANGE | 1 |
| 38 | | 900502-00006 | NUT 6 (3N) | 1 |

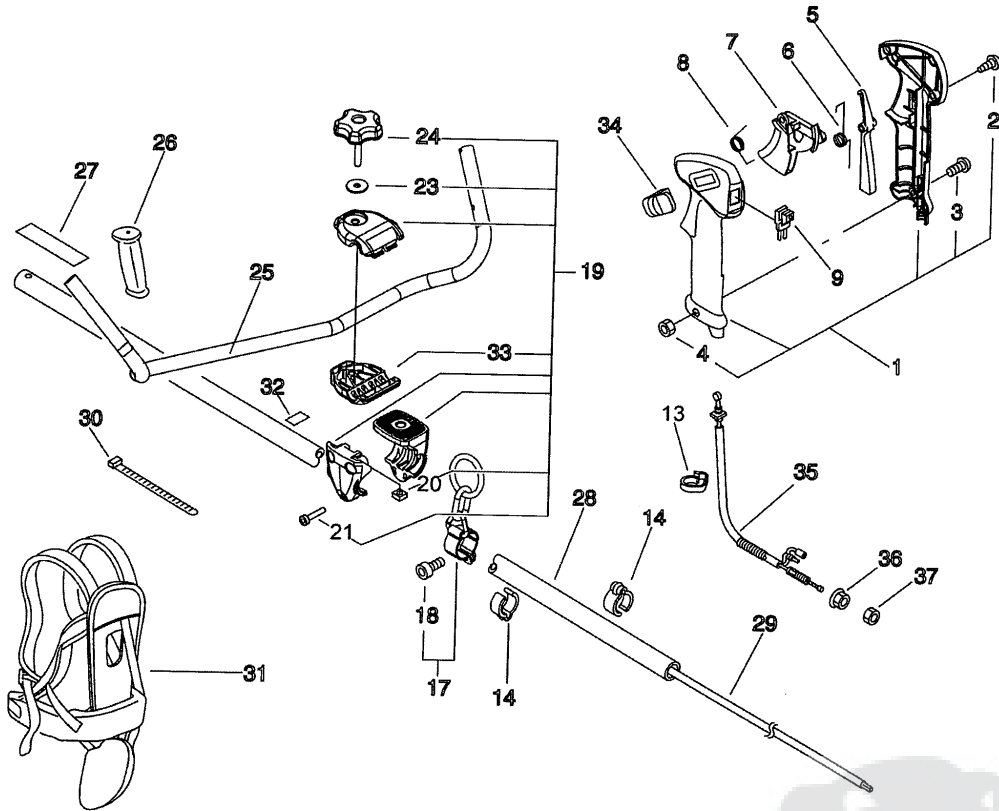


SRM235ES

PartsList Master - -

Page 1 of 2

Handle(U)



Handle(U)

| Key | Lv | Part no. | Part description | Quantity |
|-----|----|--------------|-------------------|----------|
| 1 | | P021-016210 | GRIP ASY,F-HANDLE | 1 |
| 2 | + | V804-000010 | BOLT, TORX 4 | 3 |
| 3 | + | V805-000050 | BOLT, TORX 5 | 1 |
| 4 | + | 900500-00005 | NUT 5 | 1 |
| 5 | | C460-000111 | LOCKOUT, THROTTLE | 1 |
| 6 | | V452-000350 | SPRING,TORSION | 1 |
| 7 | | C450-000270 | CONTROL, THROTTLE | 1 |

<https://plist.yamabiko-corp.co.jp/PartsList/PartsListExhibit/plmG0570.html?ASSYNO=S...> 12/07/2011

SRM235ES

PartsList Master - -

Page 2 of 2

| | | | | |
|----|---|--------------|----------------------|---|
| 8 | | V452-000360 | SPRING,TORSION | 1 |
| 9 | | A440-001230 | SWITCH, ON OFF | 1 |
| 13 | | 159112-09961 | CLIP | 1 |
| 14 | | 224924-52130 | CLIP | 2 |
| 17 | | P021-016220 | HOOK ASS'Y | 1 |
| 18 | + | V805-000140 | BOLT, TORX 5 | 1 |
| 19 | | P021-016230 | FIXTURE,ASY HANDLE | 1 |
| 20 | + | 900565-50008 | NUT | 1 |
| 21 | + | V805-000170 | BOLT, TORX 5 | 3 |
| 23 | + | 605014-54230 | WASHER | 1 |
| 24 | + | V299-000110 | KNOB,FASTENER | 1 |
| 33 | + | C423-000041 | FIXTURE,HANDLE | 1 |
| 25 | | C400-000000 | HANDLE,FRONT | 1 |
| 26 | | C403-000031 | GRIP,HANDLE | 1 |
| 27 | | 890617-43130 | LABEL,CAUTION | 1 |
| 28 | | 610206-28230 | HOUSING ASS'Y D,SFT. | 1 |
| 29 | | 610018-27830 | SHAFT, DRIVE | 1 |
| 30 | | 178121-08550 | BAND | 1 |
| 31 | | C062-000192 | HARNESS,SHOULDER | 1 |
| 32 | | 890152-04930 | LABEL, CAUTION | 1 |
| 34 | | C463-000020 | KNOB, LATCH | 1 |
| 35 | | V430-002330 | CABLE,BOWDEN | 1 |
| 36 | | 900518-00006 | NUT, FLANGE | 1 |
| 37 | | 900502-00006 | NUT 6 (3N) | 1 |

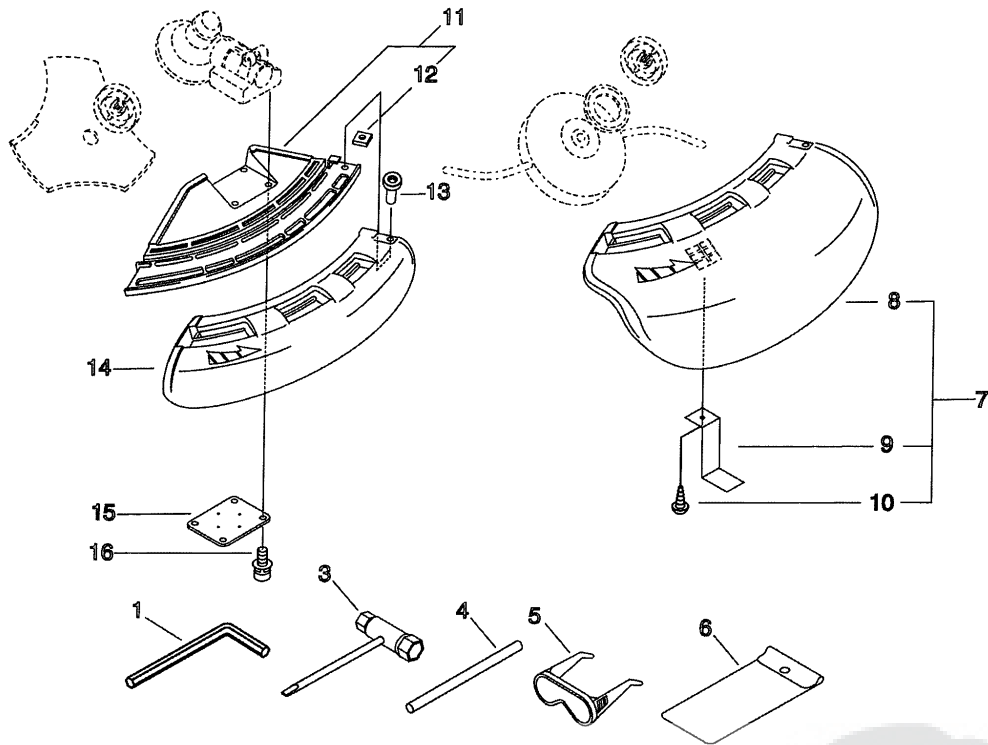


SRM235ES

PartsList Master - -

Page 1 of 2

Shield, Tools



Shield, Tools

| Key | Lv | Part no. | Part description | Quantity |
|-----|----|--------------|----------------------|----------|
| 1 | | X605-000050 | TOOL,L WRENCH | 1 |
| 3 | | X602-000020 | TOOL,WRENCH | 1 |
| 4 | | 897518-01131 | LOCKING TOOL | 1 |
| 5 | | X690-000050 | GOGGLE | 1 |
| 6 | | 898510-07130 | BAG, TOOL | 1 |
| 7 | | P021-016240 | SHIELD,BLADE(W/KNIFE | 1 |
| 8 | + | C550-000080 | SHIELD,BLADE | 1 |

<https://plist.yamabiko-corp.co.jp/PartsList/PartsListExhibit/plmG0570.html?ASSYNO=S...> 12/07/2011

SRM235ES

PartsList Master - -

Page 2 of 2

| | | | | |
|----|---|--------------|---------------|---|
| 9 | + | C554-000000 | KNIFE,CORD | 1 |
| 10 | + | V805-000240 | BOLT, TORX 5 | 1 |
| 11 | | C550-000100 | SHIELD,BLADE | 1 |
| 12 | + | 900565-00005 | NUT | 1 |
| 13 | | V805-000150 | BOLT, TORX 5 | 1 |
| 14 | | C550-000090 | SHIELD,BLADE | 1 |
| 15 | | 699013-56830 | PLATE, SHIELD | 1 |
| 16 | | V805-000160 | BOLT, TORX 5 | 4 |

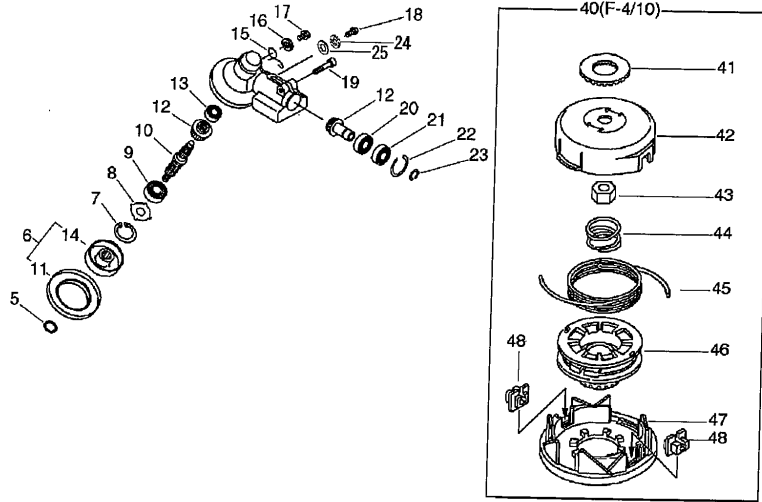


SRM235ES

PartsList Master - -

Page 1 of 2

Gear Case(L)



Gear Case(L)

| Key | Lv | Part no. | Part description | Quantity |
|-----|----|--------------|---------------------|----------|
| 5 | | 900720-00012 | O-RING 12 | 1 |
| 6 | | 610313-52932 | FIXTURE, BLADE | 1 |
| 11 | + | 610352-56830 | PLATE, CUP | 1 |
| 14 | + | 610313-52132 | FIXTURE, BLADE | 1 |
| 7 | | 900702-00032 | CIRCLIP 32 | 1 |
| 8 | | 610444-56830 | WASHER | 1 |
| 9 | | 900812-06201 | BEARING, BALL 6201 | 1 |
| 10 | | 610310-56831 | SHAFT, P.T.O. | 1 |
| 12 | | 610300-40830 | GEAR SET | 1 |
| 13 | | 900810-00626 | BEARING, BALL 626 | 1 |
| 15 | | 610473-52131 | SPRING | 1 |
| 16 | | 900603-50008 | WASHER | 1 |
| 17 | | 610434-50031 | BOLT 8*8 | 1 |
| 18 | | V805-000130 | BOLT, TORX 5 | 1 |
| 19 | | V806-000020 | BOLT, TORX 6 | 1 |
| 20 | | 900855-06900 | BEARING, BALL 6900 | 1 |
| 21 | | 900858-06900 | BEARING, BALL 6900Z | 1 |
| 22 | | 900702-00022 | CIRCLIP 22 | 1 |
| 23 | | 900706-00010 | CIRCLIP 10 | 1 |

<https://plist.yamabiko-corp.co.jp/PartsList/PartsListExhibit/plmG0570.html?ASSYNO=S...> 12/07/2011

SRM235ES

PartsList Master - -

Page 2 of 2

| | | | | |
|----|---|--------------|--------------------|---|
| 24 | | 900605-00005 | WASHER, SPRING 5 | 1 |
| 25 | | 900600-00005 | WASHER 5 | 1 |
| 40 | | X047-000270 | CUTTER,ASM LINE | 1 |
| 41 | + | V332-000000 | WASHER,CIRCULAR 24 | 1 |
| 42 | + | P022-003310 | HOUSING | 1 |
| 43 | + | P022-001220 | NUT | 1 |
| 44 | + | P022-001250 | SPRING | 1 |
| 45 | + | P022-006190 | NYLON CODE | 1 |
| 46 | + | P022-001260 | BOBBIN | 1 |
| 47 | + | P022-003330 | COVER | 1 |
| 48 | + | P022-000710 | EYELET | 2 |

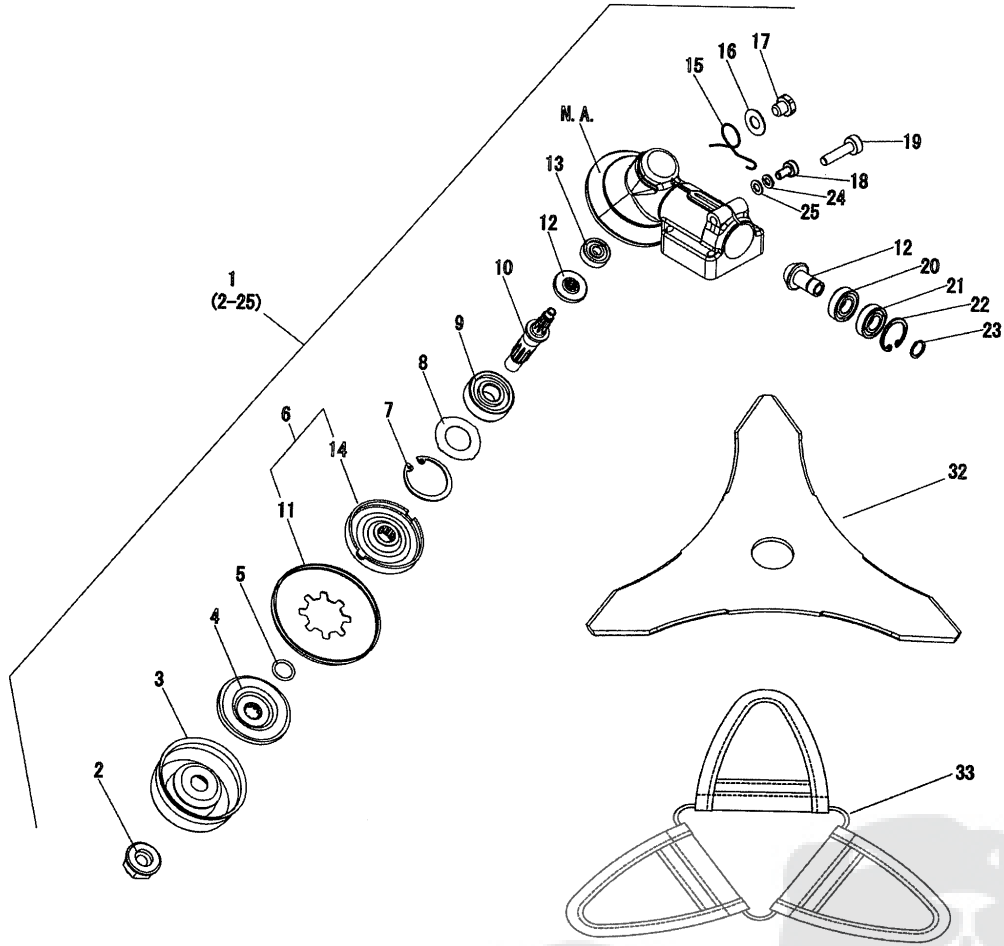


SRM235ES

PartsList Master --

Page 1 of 2

Gear Case(U)



Gear Case(U)

| Key | Lv | Part no. | Part description | Quantity |
|-----|----|--------------|--------------------|----------|
| 1 | | P021-012612 | CASE, GEAR | 1 |
| 2 | + | 610320-52130 | NUT 10 | 1 |
| 3 | + | 699229-56830 | PLATE, COVER | 1 |
| 4 | + | 610314-52130 | PLATE, ADAPTER (L) | 1 |
| 5 | + | 900720-00012 | O-RING 12 | 1 |
| 6 | + | C535-000001 | FIXTURE, BLADE | 1 |
| 11 | ++ | 610352-56830 | PLATE, CUP | 1 |

<https://plist.yamabiko-corp.co.jp/PartsList/PartsListExhibit/plmG0570.html?ASSYNO=S...> 12/07/2011

SRM235ES

PartsList Master - -

Page 2 of 2

| | | | | |
|----|----|--------------|---------------------|---|
| 14 | ++ | C535-000011 | FIXTURE, BLADE | 1 |
| 7 | + | 900702-00032 | CIRCLIP 32 | 1 |
| 8 | + | 610444-56830 | WASHER | 1 |
| 9 | + | 900812-06201 | BEARING, BALL 6201 | 1 |
| 10 | + | 610310-56831 | SHAFT, P.T.O. | 1 |
| 12 | + | 610300-40830 | GEAR SET | 1 |
| 13 | + | 900810-00626 | BEARING, BALL 626 | 1 |
| 15 | + | 610473-52131 | SPRING | 1 |
| 16 | + | 900603-50008 | WASHER | 1 |
| 17 | + | 610434-50031 | BOLT 8* 8 | 1 |
| 18 | + | 900242-05010 | SCREW 5*10 | 1 |
| 19 | + | 91118-06025 | BOLT | 1 |
| 20 | + | 900855-06900 | BEARING, BALL 6900 | 1 |
| 21 | + | 900858-06900 | BEARING, BALL 6900Z | 1 |
| 22 | + | 900702-00022 | CIRCLIP 22 | 1 |
| 23 | + | 900706-00010 | CIRCLIP 10 | 1 |
| 24 | + | 900605-00005 | WASHER, SPRING 5 | 1 |
| 25 | + | 900600-00005 | WASHER 5 | 1 |
| 32 | | P021-014310 | SAW, BUSH CUTTER | 1 |
| 33 | | X495-000250 | SCABBARD, BLADE | 1 |

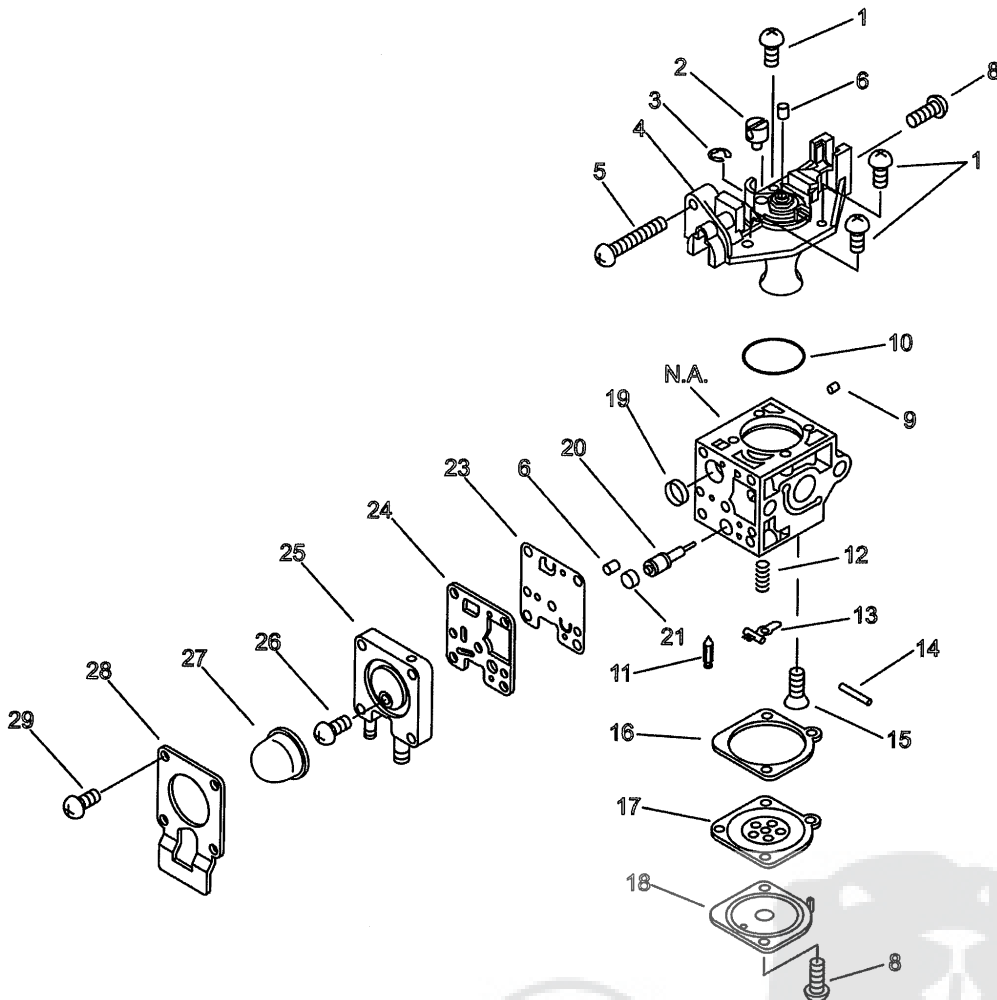


SRM235ES

PartsList Master - -

Page 1 of 2

Carburetor



Carburetor

| Key | Lv | Part no. | Part description | Quantity |
|-----|----|--------------|----------------------|----------|
| | | A021-001690 | CARBURETOR,DIAPHRAGM | 1 |
| 1 | + | 125344-13931 | SCREW | 3 |
| 2 | + | P005-001240 | POST | 1 |
| 3 | + | P005-000190 | E-RING | 1 |
| 4 | + | P005-002050 | COVER ASY, ROTOR | 1 |
| 5 | + | P005-000100 | SCREW,THROTTLEADJUST | 1 |
| 6 | + | P005-001270 | PLUG, H AJUST SCREW | 2 |

<https://plist.yamabiko-corp.co.jp/PartsList/PartsListExhibit/plmG0570.html?ASSYNO=S...> 12/07/2011

SRM235ES

PartsList Master - -

Page 2 of 2

| | | | | |
|----|---|--------------|----------------------|---|
| 8 | + | 125344-52130 | SCREW | 3 |
| 9 | + | P005-001000 | ROLLER, GUIDE | 1 |
| 10 | + | P005-000280 | O-RING | 1 |
| 11 | + | 125337-08260 | VALVE, INLET NEEDLE | 1 |
| 12 | + | P005-000940 | SPRING, METER. LEVER | 1 |
| 13 | + | 125323-08260 | ARM, VALVE | 1 |
| 14 | + | 125338-13930 | PIN, METERING ARM | 1 |
| 15 | + | 125339-42030 | SCREW | 1 |
| 16 | + | P005-000200 | GASKET, METERING | 1 |
| 17 | + | P005-001780 | DIAPHRAGM | 1 |
| 18 | + | 125342-52130 | COVER, DIAPHRAGM | 1 |
| 19 | + | P005-000010 | STRAINER | 1 |
| 20 | + | P005-001260 | SCREW,MAINN MIXTURE | 1 |
| 21 | + | P005-001250 | RETAINER,PLUG BALL | 1 |
| 23 | + | P005-000510 | DIAPHRAGM, PUMP | 1 |
| 24 | + | P005-000520 | GASKET, PUMP | 1 |
| 25 | + | P005-001890 | BASE, ASY PRIMER | 1 |
| 26 | + | P005-000270 | SCREW | 1 |
| 27 | + | 125381-46730 | PUMP, PRIMING | 1 |
| 28 | + | P005-000250 | RETAINER | 1 |
| 29 | + | P005-001900 | SCREW | 4 |

