



PARTS CATALOG

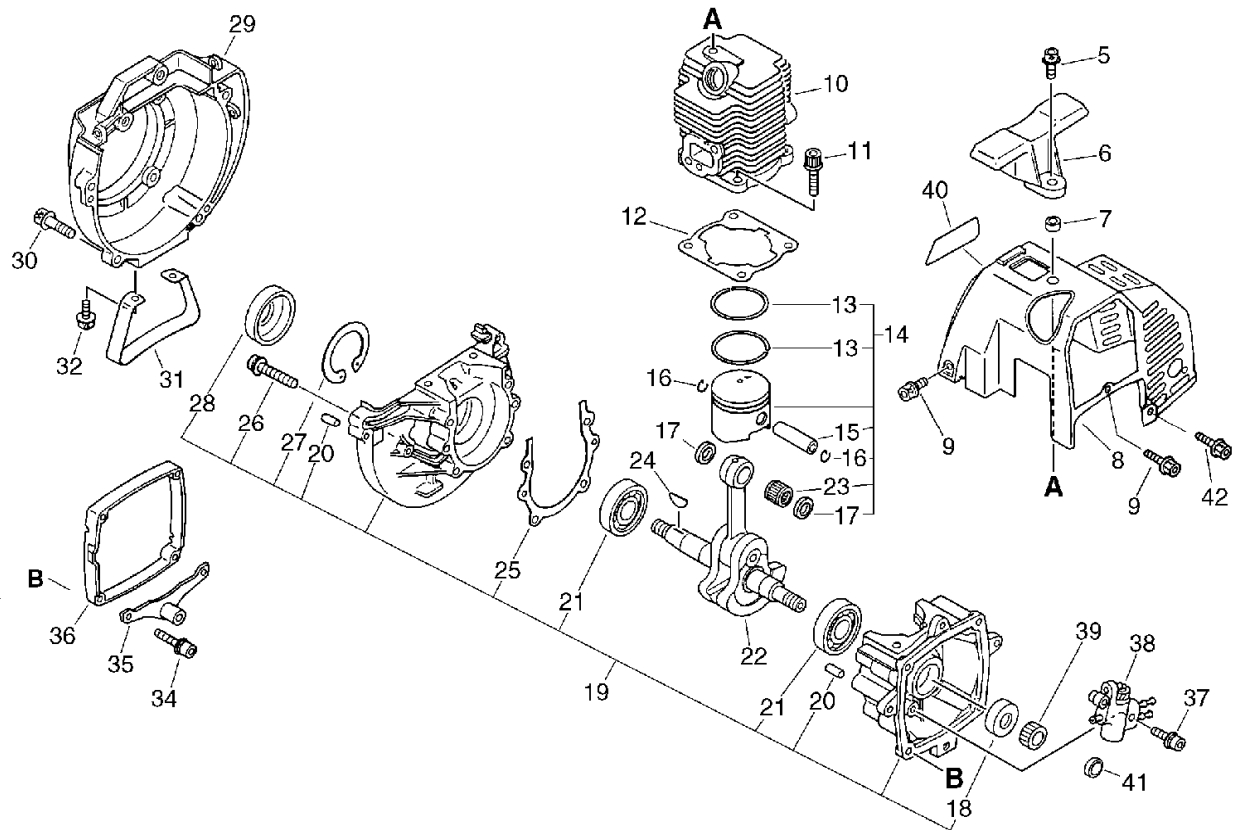
GRASS-TRIMMER / BRUSHCUTTER

SRM-345SL

SRM-345SL

1. Cylinder, Crankcase, Piston, Fan Cover

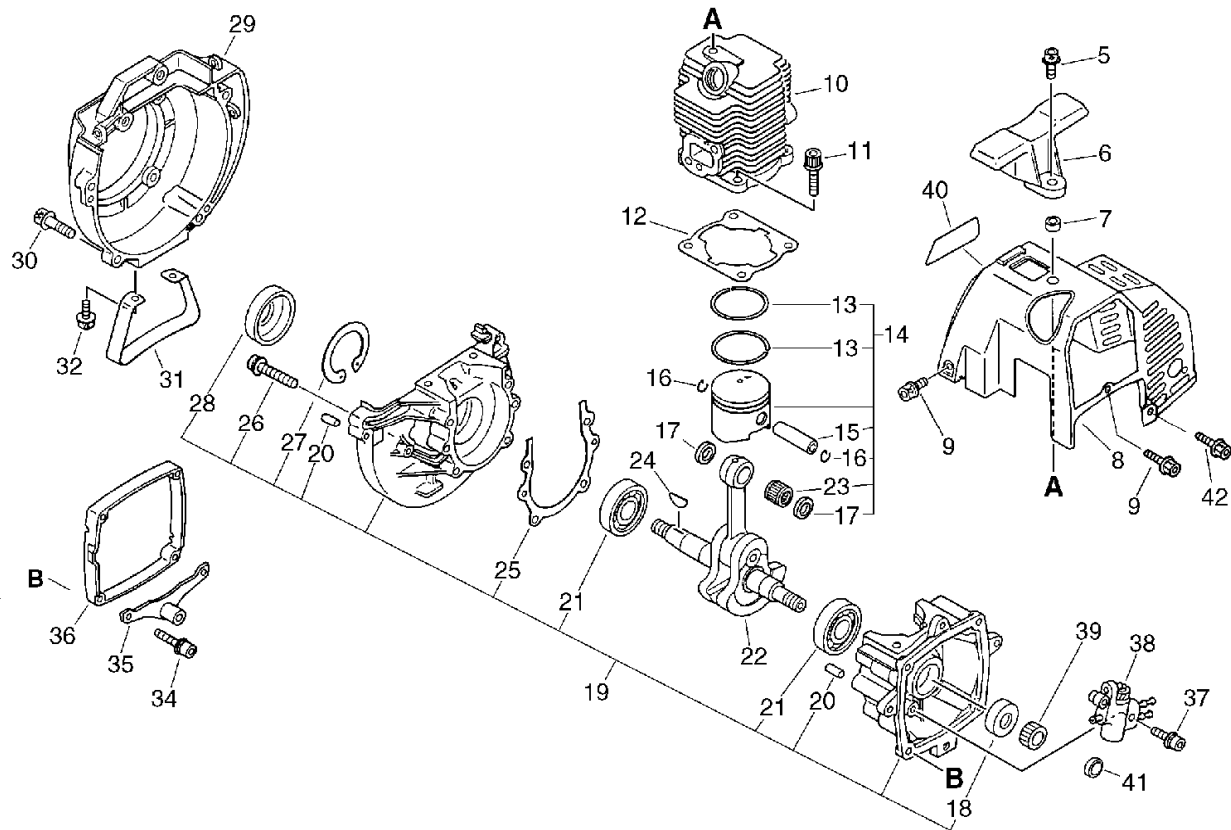
No.1



KEY	LV	PART NUMBER	Q'TY	DESCRIPTION	REMARKS	NOTE1	NOTE2
5		900162-05025	1	BOLT, H.S. 5*25	5*25 W,SW		
6		159905-46430	1	GUARD, TOP			
7		159906-46430	1	COLLAR	6.2*12*8		
8		101506-46431	1	COVER, CYLINDER			
9		900162-05014	3	BOLT, H.S. 5*14	5*14 W,SW		
10		101011-46431	1	CYLINDER			
11		900162-05020	4	BOLT, H.S. 5*20	5*20 W,SW		
12		101010-46431	1	GASKET, CYL. BASE			
14		100000-53630	1	PISTON KIT		Sus. by 100000-53631	
14		100000-53631	1	PISTON KIT			
13	+	100011-46430	2	RING, PISTON			
15	+	100013-27430	1	PIN, PISTON			
16	+	100015-03930	2	CIRCLIP, PISTON PIN		Sus. by 100015-03931	
16	+	100015-03931	2	CIRCLIP, PISTON PIN			
17	+	100014-53630	2	SPACER, PISTON PIN			
23	+	100012-16131	1	BEARING, NEEDLE			
19		100204-50430	1	CRANKCASE KIT			
18	+	100213-05530	1	OILSEAL	ISCD 12 22 7		
20	+	100215-02830	4	PIN, DOWEL			
21	+	900810-36201	2	BEARING, BALL 6201	6201/C3	Sus. by 94035-36201	
21	+	94035-36201	2	BEARING BALL	6201X3JR2C3		
25	+	100242-46430	1	GASKET, CRANKCASE			
26	+	900242-05030	4	SCREW 5*30	5*30		

1. Cylinder, Crankcase, Piston, Fan Cover

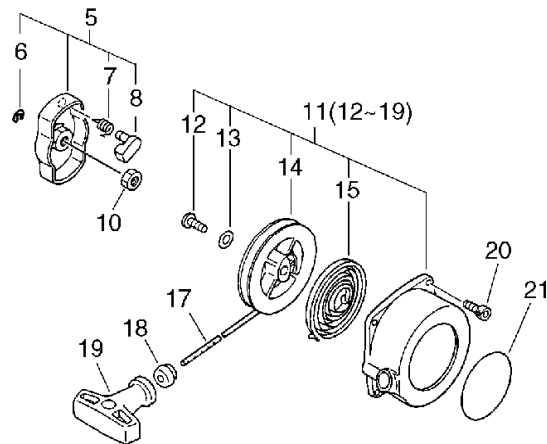
No.1



KEY	LV	PART NUMBER	Q'TY	DESCRIPTION	REMARKS	NOTE1	NOTE2
27	+	900702-00032	1	CIRCLIP 32	CR-32		
28	+	100212-03930	1	OILSEAL	ISCX12*32*5.5		
22		100105-50430	1	CRANKSHAFT			
24		100142-12330	1	KEY, WOODRUFF			
29		101511-46431	1	COVER, FAN			
30		900162-05020	4	BOLT, H.S. 5*20	5*20 W,SW		
31		305110-46430	1	STAND			
32		900162-05012	2	BOLT, H.S. 5*12	5*12 W,SW		
34		900162-04025	2	BOLT, H.S. 4*25	4*25 W,SW		
35		131910-50430	1	BRACKET, FUEL TANK			
36		131045-50430	1	SPACER			
37		900240-04016	2	SCREW 4*16	4*16		
38		437002-50430	1	AUTO-OILER ASSY		Sus. by 437002-50431	
38		437002-50431	1	AUTO-OILER ASSEMBLY			
39		437063-50430	1	GEAR, WORM			
40		890611-50430	1	LABEL, MODEL			
41		100127-50430	1	COLLAR 8			
42		900162-04012	1	BOLT, H.S. 4*12	4*12 W,SW		

2. Starter

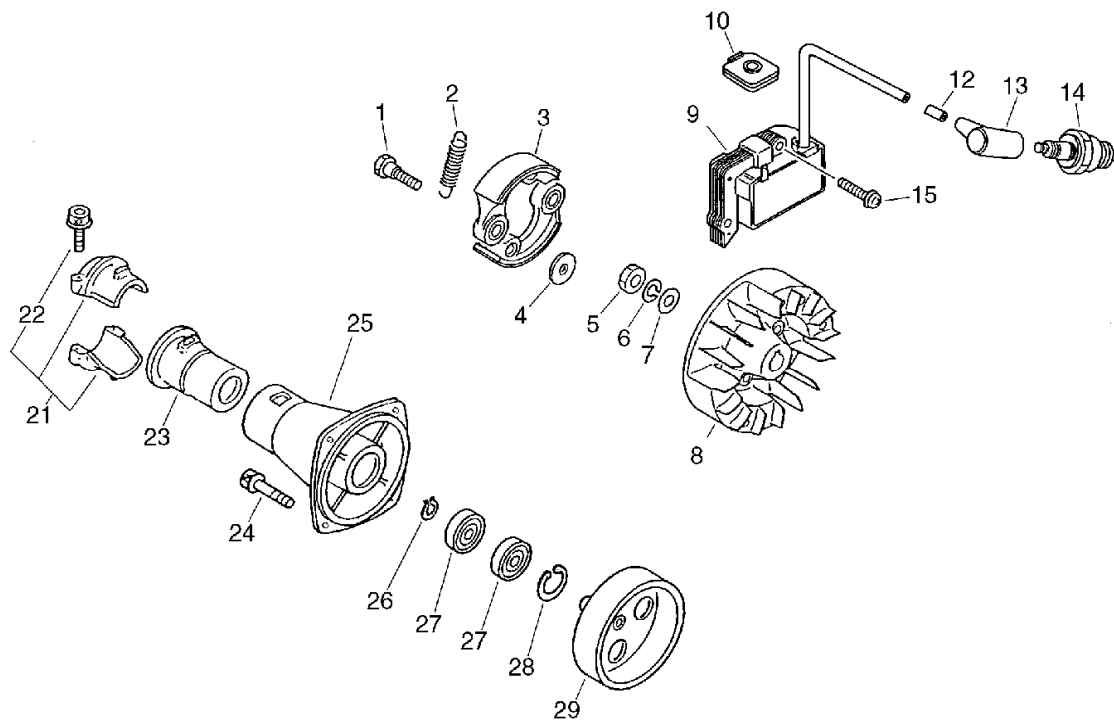
No.2



KEY	LV	PART NUMBER	Q'TY	DESCRIPTION	REMARKS	NOTE1	NOTE2
5		177202-41030	1	PAWL ASSY, STARTER			
6	+	900700-00004	1	E-RING 4	CE-4		
7	+	177234-40630	1	SPRING, RETURN			
8	+	177218-40630	1	PAWL, STARTER	WHITE		
10		900502-00008	1	NUT 8 (3N)	3N8		
11		177200-46430	1	STARTER ASSY		Sus. by 177200-46431	
11		177200-46431	1	STARTER ASSY			
12	+	177236-40630	1	SCREW			
13	+	177214-41030	1	WASHER			
14	+	177215-43130	1	DRUM, STARTER			
15	+	177220-40630	1	SPRING, REWIND			
17	+	177226-01110	1	ROPE, STARTER	4.0*880		
18	+	177227-42030	1	GUIDE, ROPE			
19	+	177228-11120	1	GRIP, STARTER		Sus. by 177228-27030	
19	+	177228-27030	1	GRIP, STARTER			
20		900162-04025	2	BOLT, H.S. 4*25	4*25 W,SW		
21		890118-49330	1	LABEL, ECHO			

3. Magneto, Clutch

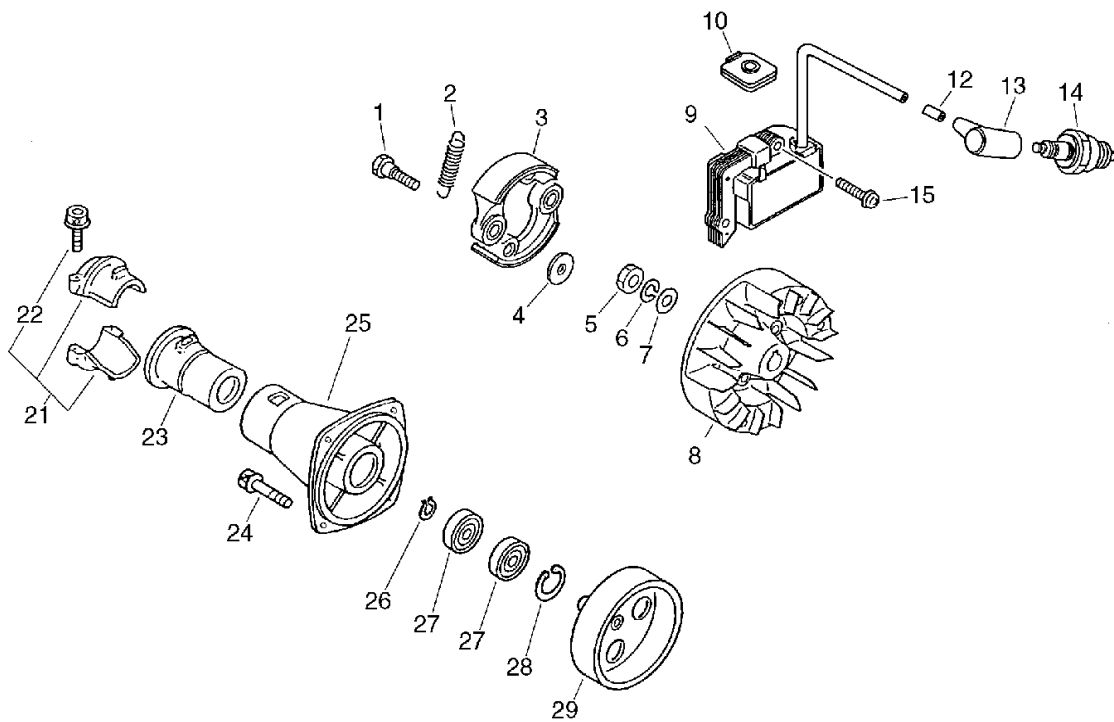
No.3



KEY	LV	PART NUMBER	Q'TY	DESCRIPTION	REMARKS	NOTE1	NOTE2
1		175046-46430	2	BOLT, CLUTCH			
2		175018-49931	1	SPRING, CLUTCH		Sus. by 175018-49932	
2		175018-49932	1	SPRING, CLUTCH			
3		175009-49930	2	SHOE, CLUTCH		Sus. by A553-000000	
3		A553-000000	2	ARM, CLUTCH			
4		175048-05530	2	WASHER (I)	6.2*19*1.0		
5		900502-00008	1	NUT 8 (3N)	3N8		
6		900605-00008	1	WASHER, SPRING 8	8		
7		900600-00008	1	WASHER 8	8		
8		156801-52930	1	FLYWHEEL			
9		156601-46430	1	C.D.IGNITION MODULE			
10		152112-46430	1	BUSHING			
12		159016-05330	1	ADAPTER, PLUG CAP			
13		159012-10230	1	CAP, SPARK PLUG			
14		159010-10230	1	PLUG, SPARK (BPMR-7A)	BPMR-7A		
15		900242-05020	2	SCREW 5*20	5*20		
21		610903-40430	1	HOLDER KIT			
22	+	900162-05025	2	BOLT, H.S. 5*25	5*25 W,SW		
23		610910-40430	1	CUSHION			
24		900162-05016	4	BOLT, H.S. 5*16	5*16 W,SW		
25		610205-46430	1	CASE, FLANGE			
26		900701-00012	1	CIRCLIP 12	CS-12		
27		900807-06001	2	BEARING, BALL 6001	6001V(LB)		
28		900702-00028	1	CIRCLIP 28	CR-28		

3. Magneto, Clutch

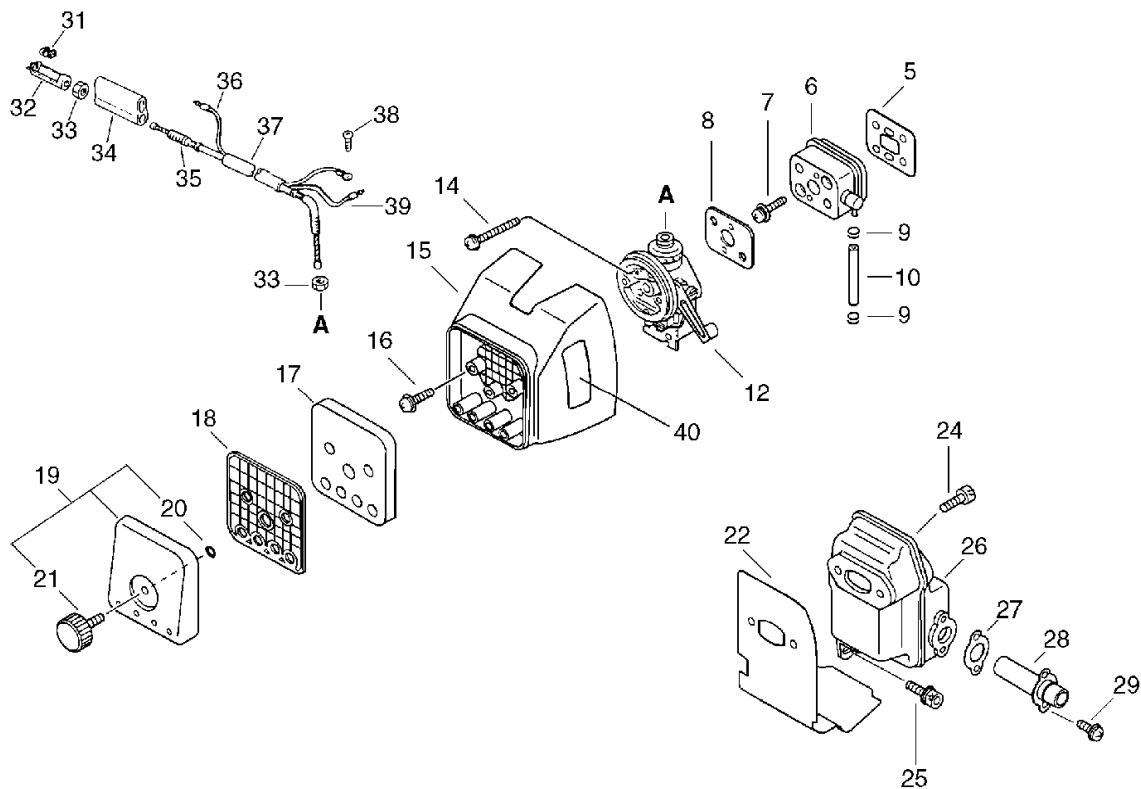
No.3



KEY	LV	PART NUMBER	Q'TY	DESCRIPTION	REMARKS	NOTE1	NOTE2
29		175005-49930	1	DRUM, CLUTCH			

4. Air Cleaner, Muffler

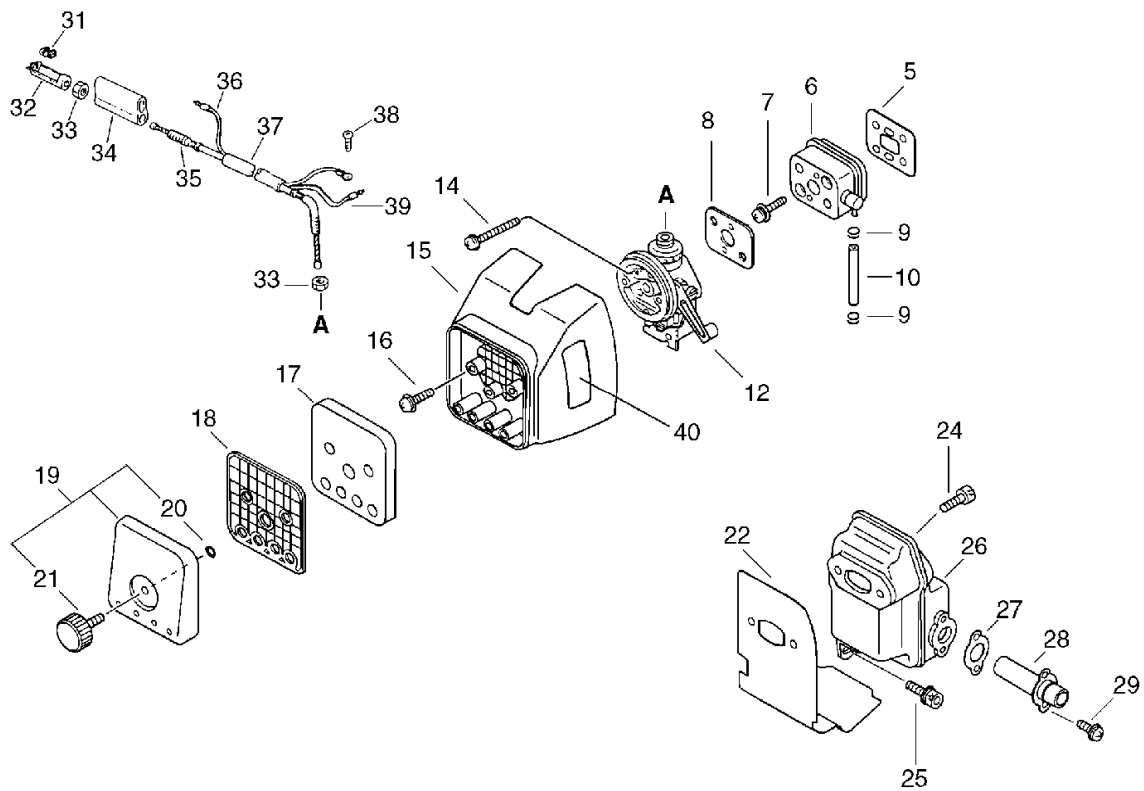
No.4



KEY	LV	PART NUMBER	Q'TY	DESCRIPTION	REMARKS	NOTE1	NOTE2
5		130010-46431	1	GASKET			
6		130007-50431	1	INSULATOR			
7		900162-05020	2	BOLT, H.S. 5*20	5*20 W,SW		
8		130016-22331	1	GASKET			
9		132014-50430	2	CLIP, PIPE			
10		132716-34330	1	PIPE,PUMP 4*2*80L	2*4*80		
12		124200-50330	1	CARBURETOR ASSY	DPK11R-35B		
14		900242-05035	2	SCREW 5*35	5*35		
15		130307-46432	1	CASE, AIR CLEANER			
16		900242-04020	2	SCREW 4*20	4*20		
17		130310-46430	1	FILTER, AIR			
18		130311-46430	1	GRIP, AIR CLEANER			
19		130302-46430	1	COVER ASSY, AIR CLN.			
20	+	900720-00003	1	O-RING P-3	P-3		
21	+	130406-16331	1	NUT, THUMB			
22		145910-46431	1	INSULATOR, MUFFLER			
24		900105-05016	2	BOLT, H.S. 5*16	5*16		
25		900162-05014	1	BOLT, H.S. 5*14	5*14 W,SW		
26		145610-46430	1	MUFFLER			
27		145618-46431	1	GASKET, MUFFLER			
28		145619-46430	1	LID, MUFFLER			
29		900242-04014	2	SCREW 4*14	4*14		
31		178049-06630	1	CONNECTOR			
32		178114-05630	1	CONNECTOR, THR. WIRE			
33		178021-05530	2	LOCKNUT			
34		178128-22130	1	SLEEVE			

4. Air Cleaner, Muffler

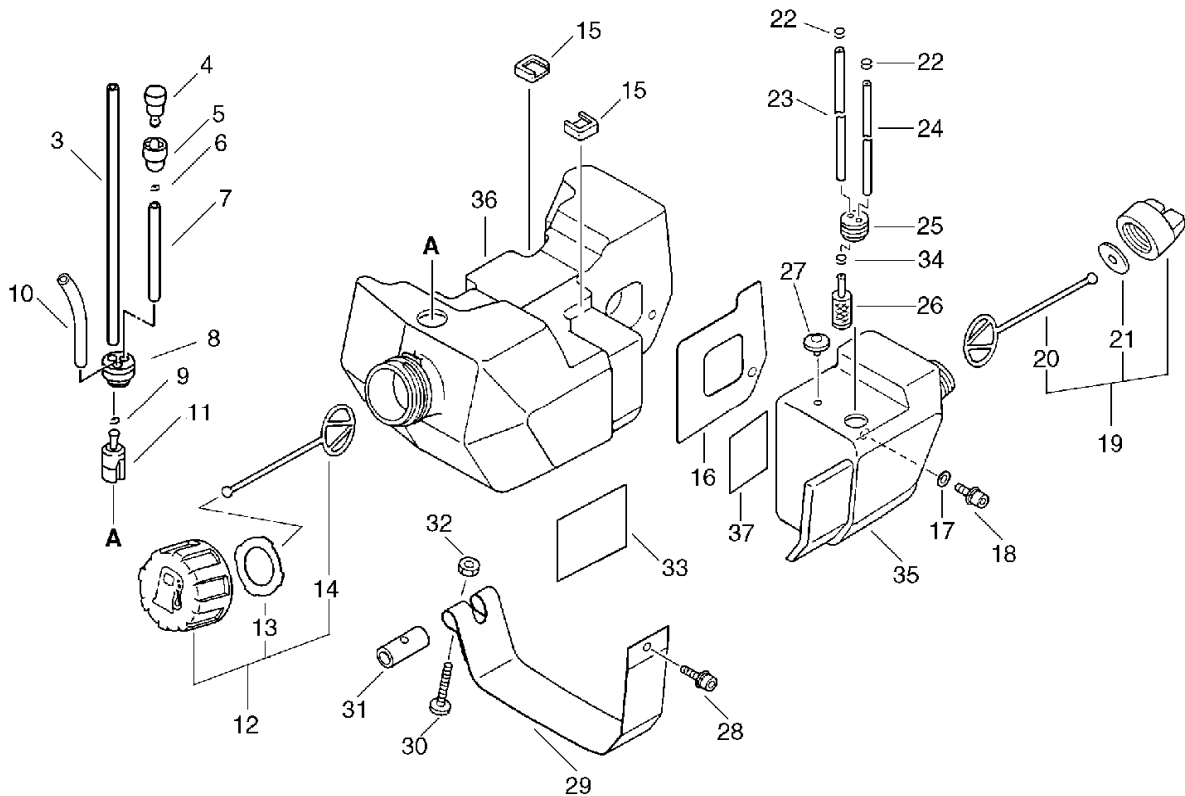
No.4



KEY	LV	PART NUMBER	Q'TY	DESCRIPTION	REMARKS	NOTE1	NOTE2
35		178001-50330	1	WIRE, THROTTLE			
36		162014-50330	1	LEAD, GROUND			
37		178127-50330	1	TUBE	10*11*140		
38		900242-05010	1	SCREW 5*10	5*10		
39		162010-50330	1	LEAD, GROUND		Sus. by 162021-27230	
39		162021-27230	1	LEAD			
40		890121-50430	1	LABEL, CHOKE			

5. Fuel Tank

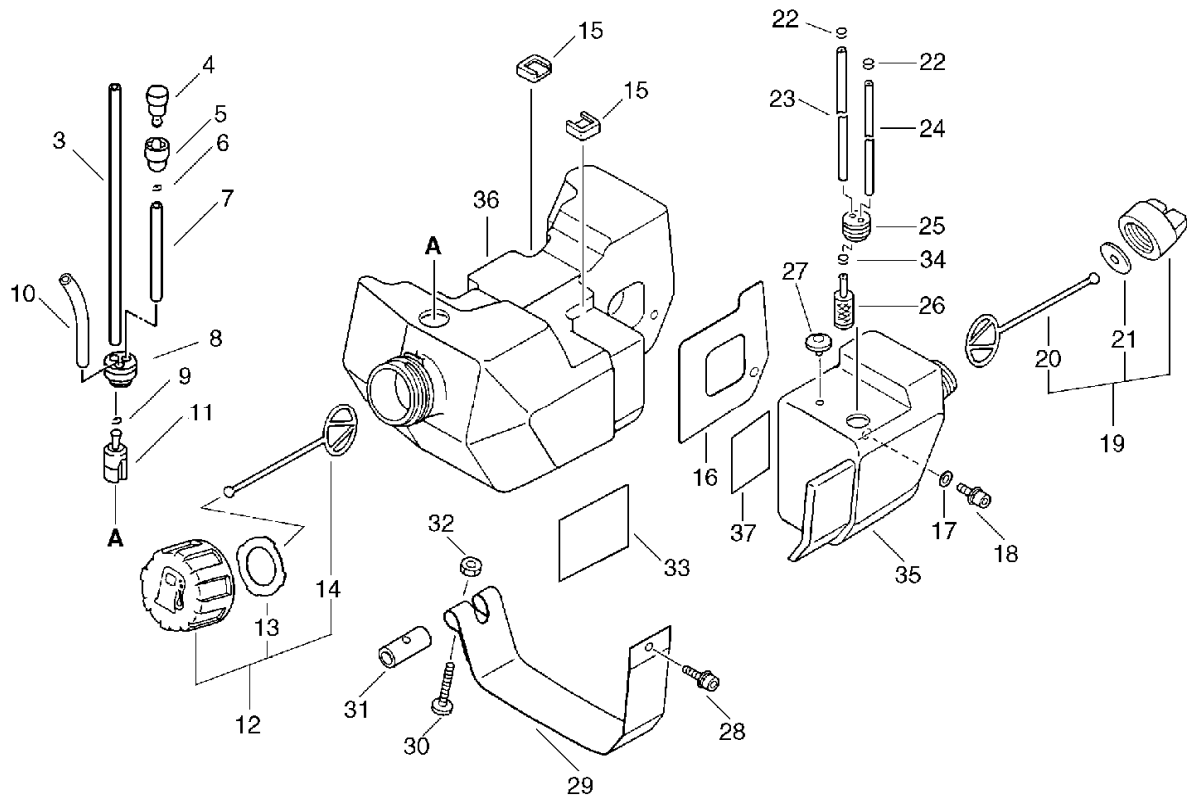
No.5



KEY	LV	PART NUMBER	Q'TY	DESCRIPTION	REMARKS	NOTE1	NOTE2
3		132010-14530	1	PIPE, FUEL	3*6*225 NBR		
4		131300-56430	1	VALVE, CHECK			
5		131328-40630	1	COVER, VENT			
6		130111-00530	1	CLIP	5.5		
7		130110-54430	1	PIPE, IMPULSE	3*6*105 NBR		
8		132115-55930	1	GROMMET, FUEL			
9		132013-26630	1	CLIP	6.5MM		
10		132717-50430	1	PIPE 3* 6* 70	3*6*70 YL		
11		131205-19830	1	STRAINER, FUEL			
12		131600-50430	1	CAP ASSY, FUEL TANK		Sus. by 131004-54930	
12		131004-54930	1	CAP ASSY, FUEL TANK			
13	+	131016-40930	1	GASKET, FUEL CAP		Can be used on the 131600-50430 only	
13	+	131016-55830	1	GASKET, FUEL CAP		Can be used on the 131004-54930 only	
14	+	131051-52430	1	CONNECTOR, CAP	80L		
15		131923-11120	3	CUSHION			
16		131920-50430	1	CUSHION, FUEL TANK			
17		900603-00005	1	WASHER 5	5.5*12*0.8		
18		900162-05014	1	BOLT, H.S. 5*14	5*14 W,SW		
19		436001-54830	1	CAP ASSY, OIL TANK			
20	+	131051-19830	1	LINK	60L		
21	+	436012-37830	1	GASKET, CIRCULAR			

5. Fuel Tank

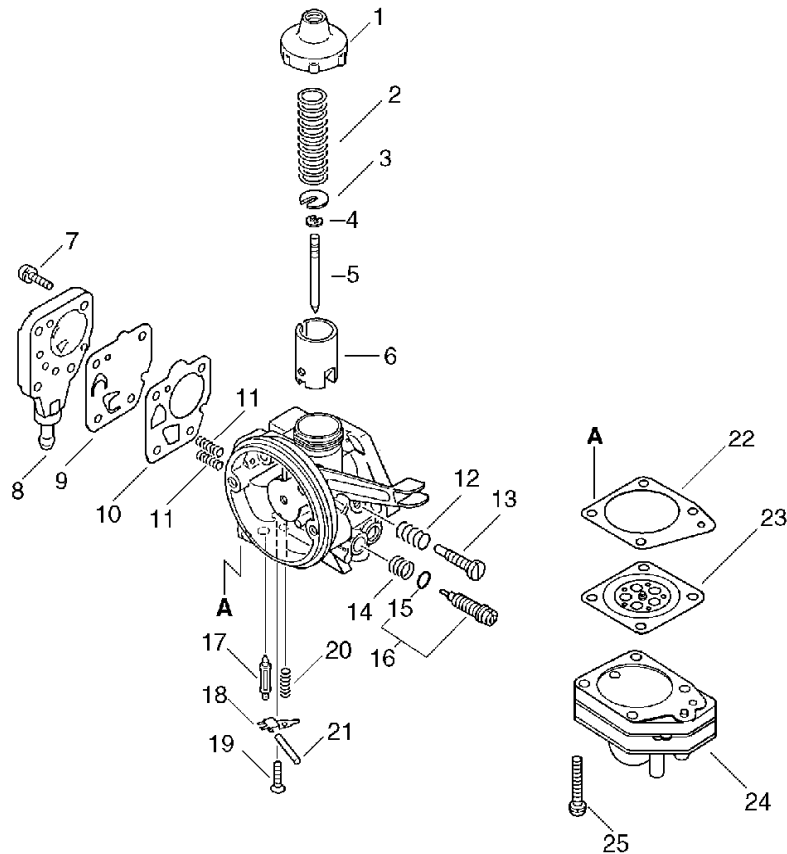
No.5



KEY	LV	PART NUMBER	Q'TY	DESCRIPTION	REMARKS	NOTE1	NOTE2
22		132014-50430	2	CLIP, PIPE			
23		132010-50430	1	PIPE	2*4*160		
24		132012-50430	1	PIPE	2*4*130		
25		132115-50430	1	GROMMET, FUEL			
26		436205-50430	1	STRAINER, OIL			
27		131314-06320	1	VALVE, CHECK			
28		900162-05012	1	BOLT, H.S. 5*12	5*12 W,SW		
29		131917-50430	1	BAND, FUEL TANK			
30		900220-05030	1	SCREW 5*30	5*30		
31		131931-45430	1	BRACKET			
32		900500-00005	1	NUT 5	5		
33		890147-50430	1	LABEL, FUEL MIX			
34		132013-50430	1	CLIP, PIPE			
35		436010-50430	1	TANK, OIL			
36		131005-50432	1	TANK, FUEL			
37		131924-50430	1	CUSHION, FUEL TANK			

6. Carburetor

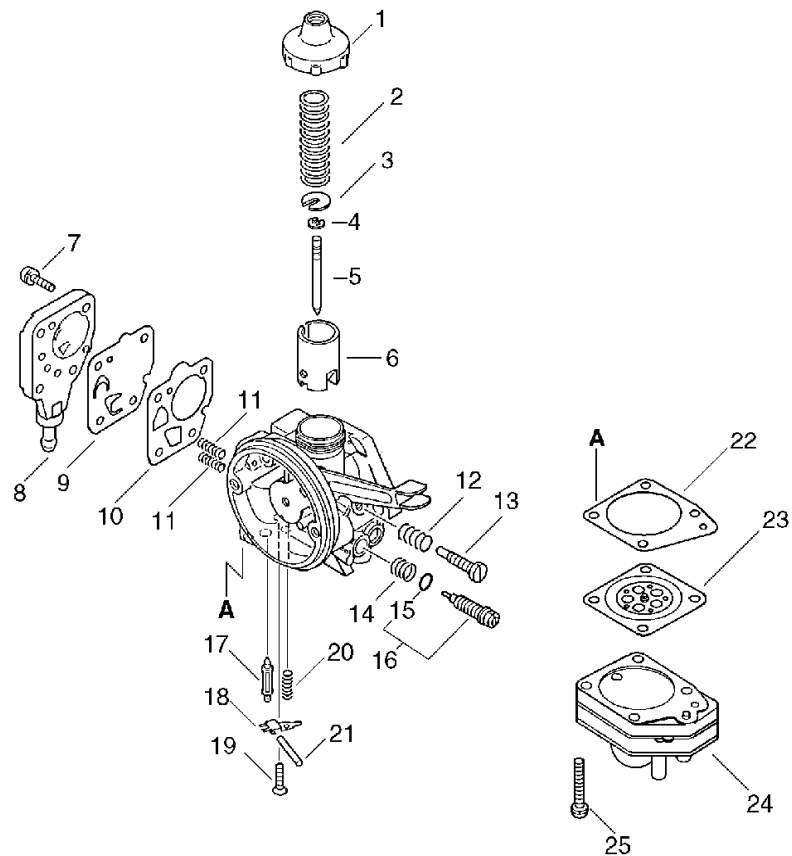
No.6



KEY	LV	PART NUMBER	Q'TY	DESCRIPTION	REMARKS	NOTE1	NOTE2
		124200-50330	1	CARBURETOR ASSY	DPK11R-35B		
1	+	124113-05530	1	COVER, TOP			
2	+	124114-50330	1	SPRING, THROTTLE			
3	+	124115-05530	1	SEAT, SPRING			
4	+	124116-05530	1	E-RING			
5	+	124317-49930	1	NEEDLE, JET			
6	+	124318-49930	1	VALVE, THROTTLE			
7	+	900241-03010	4	SCREW 3*10 (W/SW)	3*10		
8	+	124365-05510	1	COVER, PUMP			
9	+	124364-05510	1	DIAPHRAGM, FUEL PUMP			
10	+	124363-21330	1	GASKET, PUMP DIAPH.			
11	+	124355-50130	2	SPRING, ADJUSTMENT			
12	+	124333-05630	1	SPRING, IDLE ADJUST			
13	+	124159-05530	1	SCREW, IDLE ADJUST			
14	+	124355-21330	1	SPRING, ADJUSTMENT			
16	+	124354-46430	1	SCREW, MAIN ADJUST		Sus. by 124354-12710	
16	+	124354-12710	1	SCREW, MAIN ADJUST			
15	++	124356-21330	1	O-RING			
17	+	124320-52830	1	VALVE, NEEDLE			
18	+	124321-21330	1	LEVER, INLET CONTROL			
19	+	900204-03008	1	SCREW 3*8	-SF3*8	Sus. by 900212-03008	
19	+	900212-03008	1	SCREW 3*8	+SF3*8		
20	+	124331-49930	1	SPRING, TENSION			
21	+	124332-21330	1	PIN, LEVER			

6. Carburetor

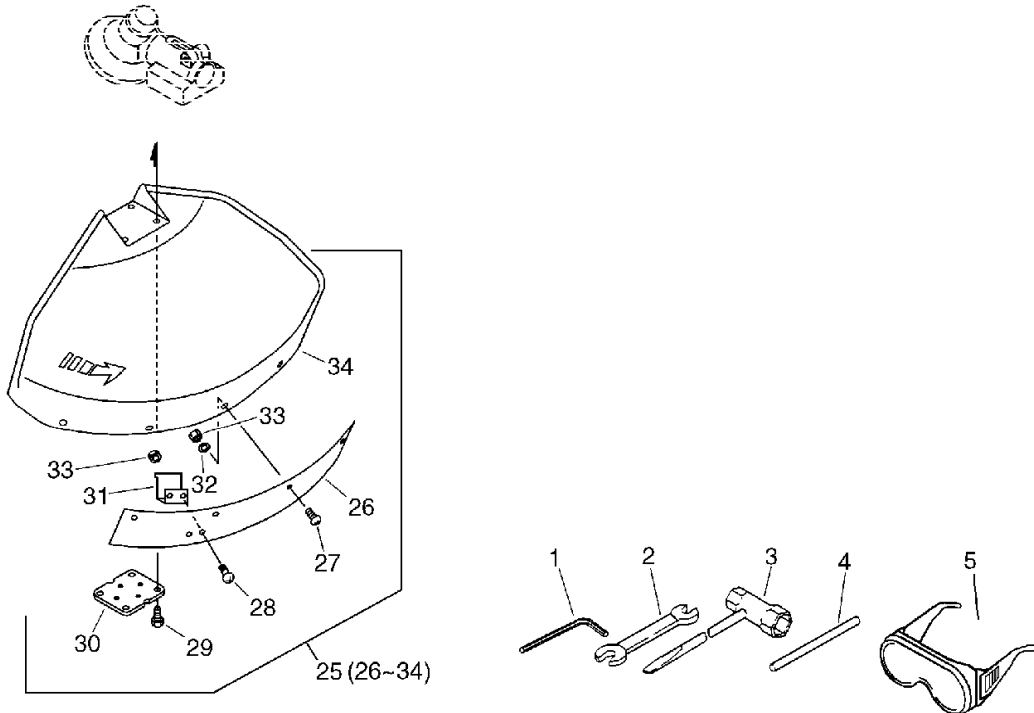
No.6



KEY	LV	PART NUMBER	Q'TY	DESCRIPTION	REMARKS	NOTE1	NOTE2
22	+	124358-49930	1	GASKET, DIAPHRAGM			
23	+	124341-49930	1	DIAPHRAGM			
24	+	124380-12710	1	PUMP, PRIMING			
25	+	900241-03020	4	SCREW 3*20	3*20		

7. Shield, Tools

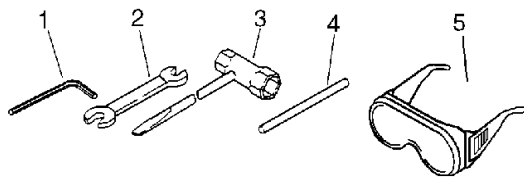
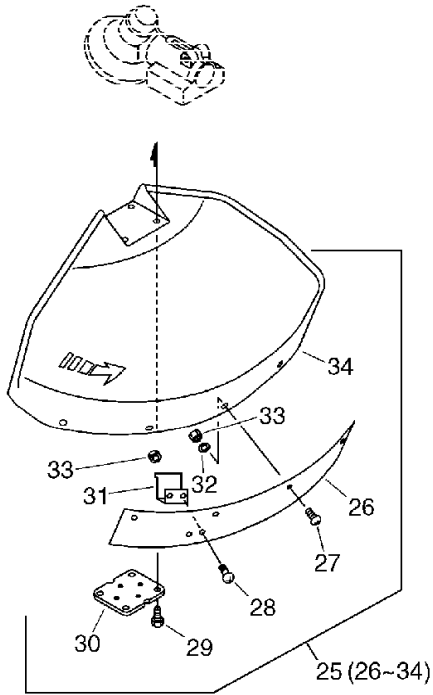
No.7



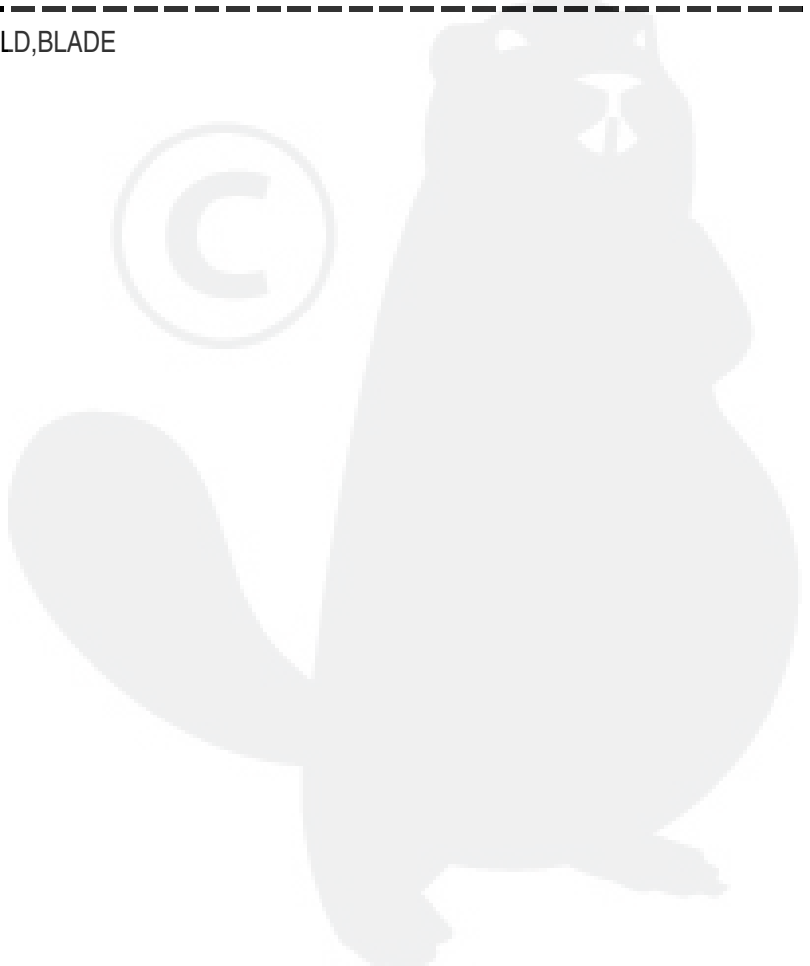
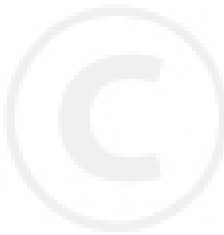
KEY	LV	PART NUMBER	Q'TY	DESCRIPTION	REMARKS	NOTE1	NOTE2
1		895610-00130	1	L-WRENCH (4MM)			
2		895112-00330	1	SPANNER 8*10			
3		895410-08030	1	WRENCH, W/S. DRIVER		Sus by X602-000020	
3		X602-000020	1	TOOL,WRENCH	17*19 L200		
4		897518-01131	1	LOCKING TOOL			
5		899580-40930	1	GOGGLE		Sus by P021-002861	
5		899580-68730	1	SAFETY GLASSES		Sus by P021-002861	
5		P021-002861	1	GOGGLES			
25		699000-52930	1	SHIELD ASSY		Sus by 699000-52931	
25		699000-52931	1	SHIELD ASY			
26	+	699013-52130	1	PLATE, SHIELD			
27	+	900162-05018	4	BOLT, H.S. 5*18	5*18 W,SW		
28	+	900162-05014	2	BOLT, H.S. 5*14	5*14 W,SW		
29	+	900162-05025	4	BOLT, H.S. 5*25	5*25 W,SW		
30	+	699013-56830	1	PLATE, SHIELD			
31	+	699016-52130	1	KNIFE, CORD		Sus. by 699016-54530	
31	+	699016-54530	1	KNIFE			
32	+	900603-00005	4	WASHER 5	5.5*12*0.8		
33	+	900500-00005	6	NUT 5	5		
34	+	699010-52930	1	SHIELD, BLADE		Sus. by 699010-52931	

7. Shield, Tools

No.7

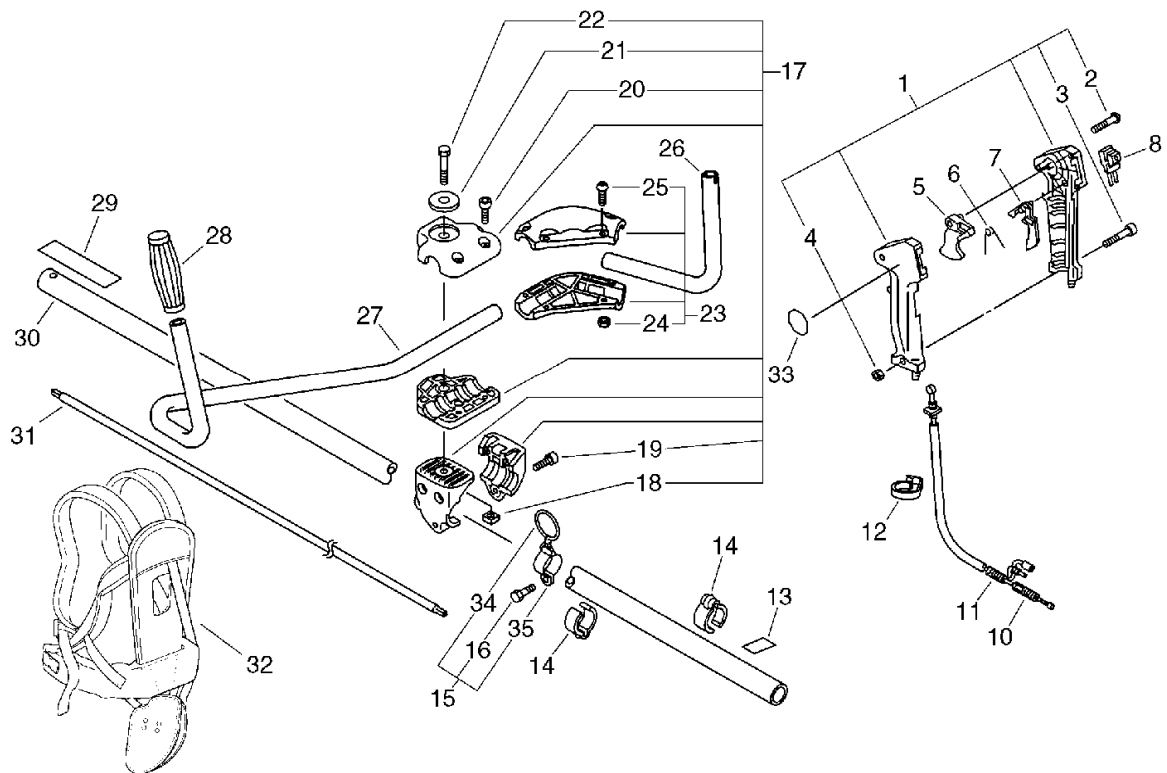


KEY	LV	PART NUMBER	Q'TY	DESCRIPTION	REMARKS	NOTE1	NOTE2
34	+	699010-52931	1	SHIELD,BLADE			



8. U-Handle

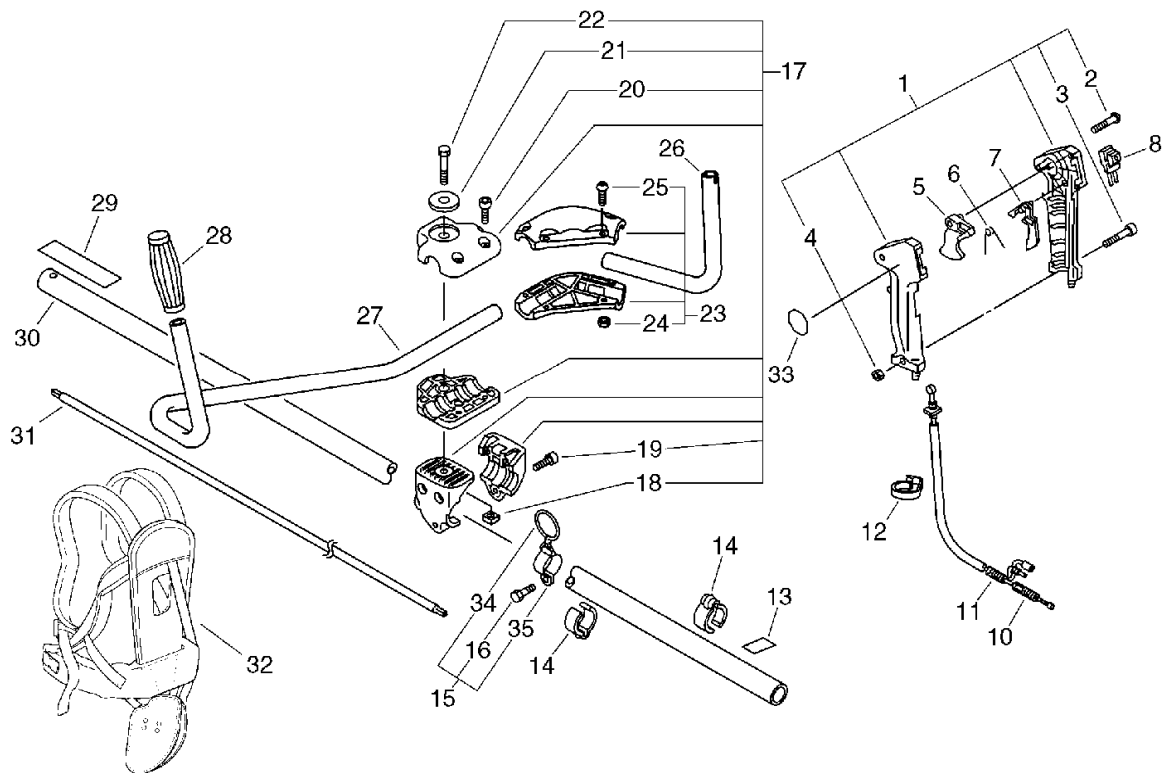
No.8



KEY	LV	PART NUMBER	Q'TY	DESCRIPTION	REMARKS	NOTE1	NOTE2
1		351102-47530	1	GRIP ASSY, F-HANDLE			
2	+	900246-03025	4	SCREW 3*25	3*25		
3	+	900220-05030	1	SCREW 5*30	5*30		
4	+	900500-00005	1	NUT 5	5		
5		178010-05960	1	CONTROL, THROTTLE			
6		178013-35631	1	SPRING, THR. LOCK			
7		178012-05960	1	LOCKOUT, THROTTLE			
8		163400-50330	1	SWITCH, IGNITION			
10		178001-27230	1	WIRE, THROTTLE			
11		162110-27230	1	TUBE	7*590		
12		159112-09960	1	CLIP		Sus. by 159112-09961	
12		159112-09961	1	CLIP			
13		890152-04930	1	LABEL, CAUTION			
14		224924-52930	2	CLIP	28MM		
15		301200-05230	1	HOOK ASS'Y			
16	+	900105-05012	1	BOLT, H.S. 5*12	5*12		
34	+	301015-05330	1	HOOK, BAND			
35	+	301210-04630	1	HOOK			
17		351301-52930	1	BRACKET ASSY, HANDLE			
18	+	900565-50008	1	NUT	8*1.25		
19	+	900162-05030	3	BOLT, H.S. 5*30	5*30 W,SW		
20	+	900162-05020	2	BOLT, H.S. 5*20	5*20 W,SW		
21	+	605014-54230	1	WASHER			
22	+	351421-52130	1	BOLT			
23		351202-51430	1	BRACKET ASSY, HANDLE			

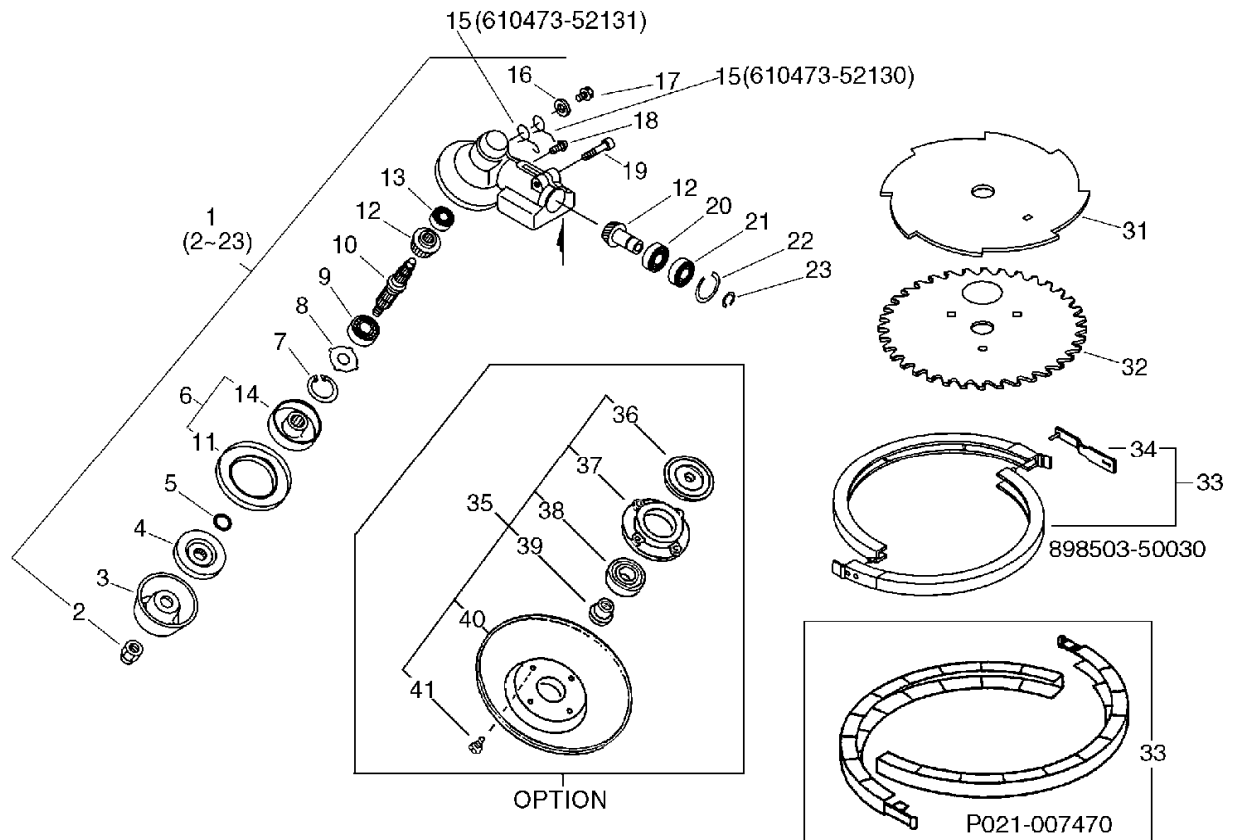
8. U-Handle

No.8



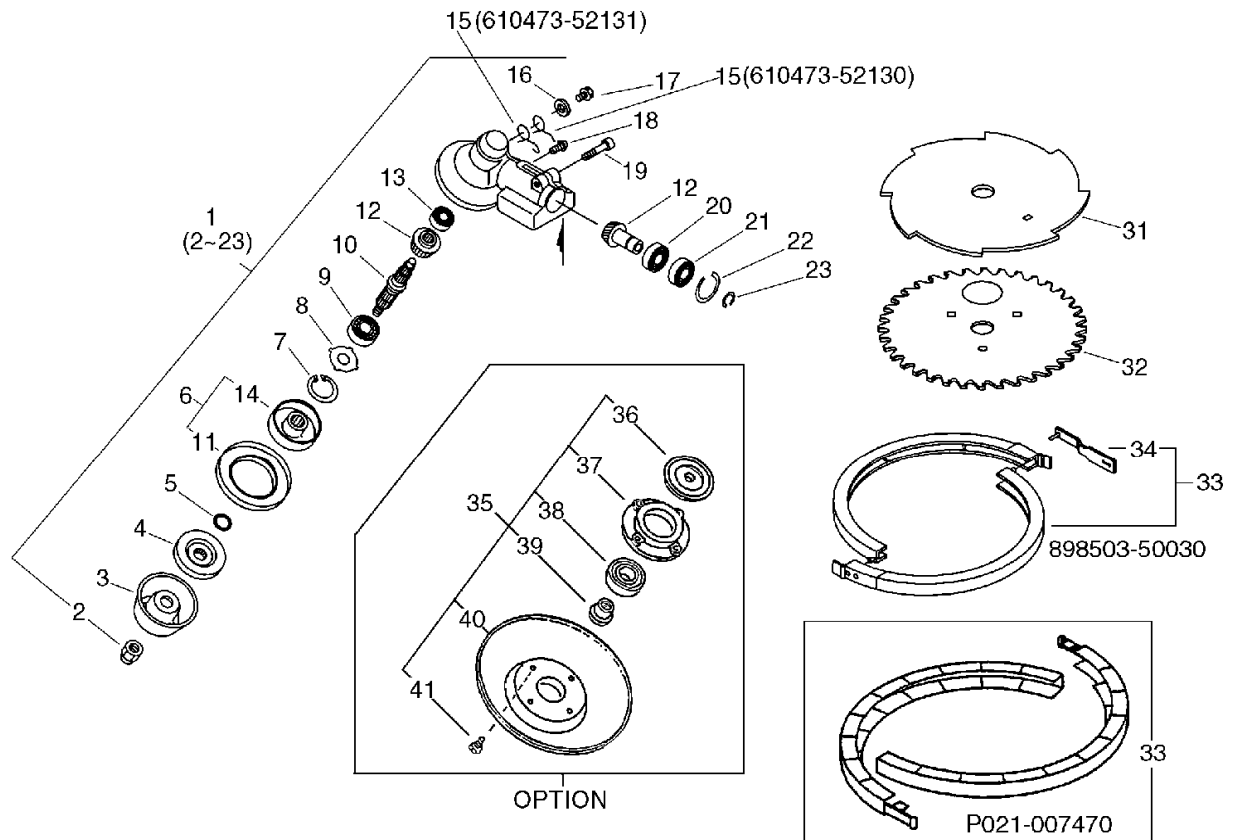
KEY	LV	PART NUMBER	Q'TY	DESCRIPTION	REMARKS	NOTE1	NOTE2
24	+	900500-00005	4	NUT 5	5		
25	+	900162-05020	4	BOLT, H.S. 5*20	5*20 W,SW		
26		351214-52930	1	HANDLE		Sus. by 351214-52931	
26		351214-52931	1	HANDLE			
27		351010-52930	1	HANDLE, FRONT		Sus. by 351010-52931	
27		351010-52931	1	HANDLE, FRONT			
28		351311-22430	1	GRIP, HANDLE			
29		890617-46830	1	LABEL, CAUTION		Sus. by 890617-43130	
29		890617-43130	1	LABEL, CAUTION			
30		610206-52930	1	HOUSING ASSY, D.SHFT			
31		610011-06230	1	SHAFT, DRIVE			
32		301001-56830	1	HARNESS, SHOULDER		Sus. by C062-000181	
32		301001-56831	1	HARNESS ASY, SHOULDER		Sus. by C062-000181	
32		C062-000180	1	HARNESS, SHOULDER	ECHO	Sus. by C062-000181	
32		C062-000181	1	HARNESS, SHOULDER			
33		890157-39130	1	LABEL, SWITCH		Diuse	

9. Gear Case(U-Handle Type), Blade No.9



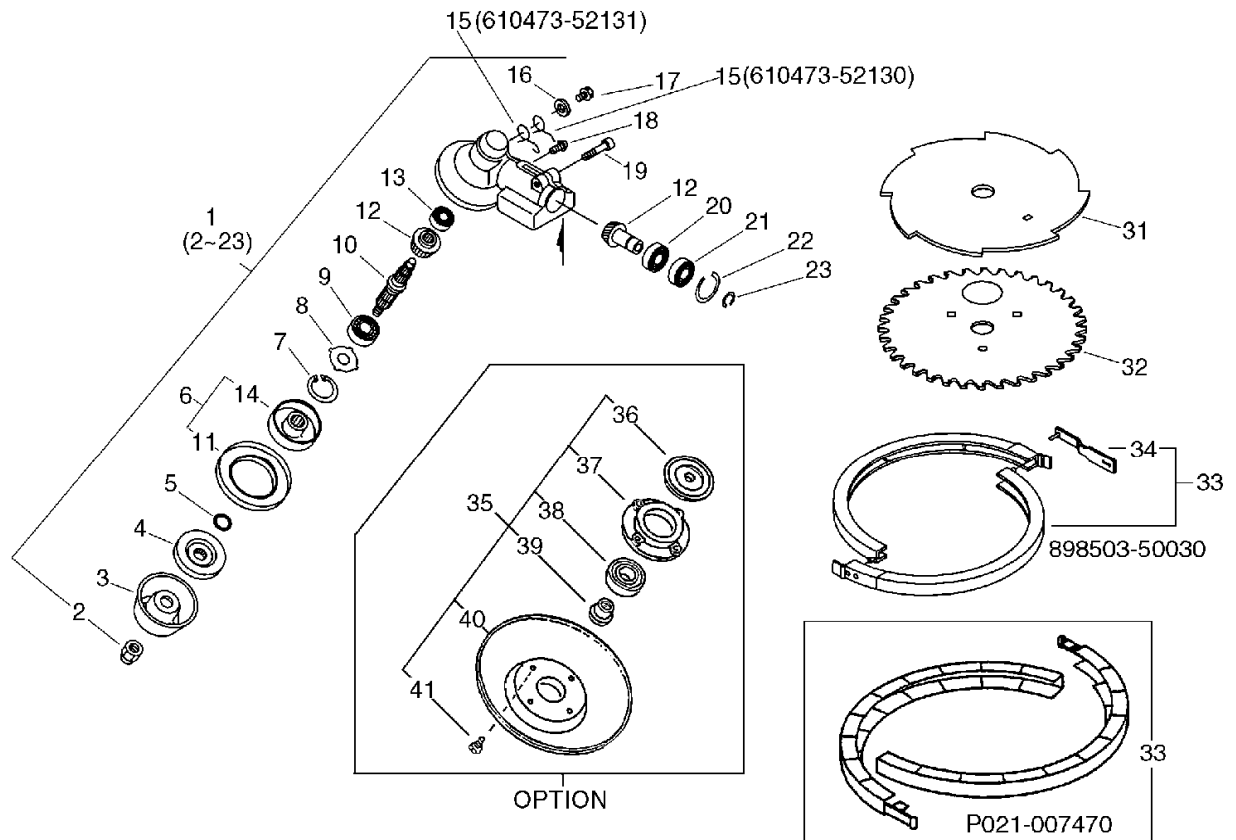
KEY	LV	PART NUMBER	Q'TY	DESCRIPTION	REMARKS	NOTE1	NOTE2
1		610400-56930	1	HOUSING ASSY, GEAR		Sus. by 610400-56932	
1		610400-56931	1	CASE ASY, GEAR		Sus. by 610400-56932	
1		610400-56932	1	CASE ASY, GEAR			
2	+	610320-52130	1	NUT 10			
3	+	699229-56830	1	PLATE, COVER			
4	+	610314-52130	1	PLATE, ADAPTER (L)			
5	+	900720-00012	1	O-RING 12	P-12		
6	+	610313-52930	1	PLATE, ADAPTER (U)		Sus. by C535-000001	
6	+	C535-000000	1	FIXTURE, BLADE		Sus. by C535-000001	
6	+	C535-000001	1	FIXTURE, BLADE			
11	++	610352-56830	1	PLATE, CUP			
14	++	C535-000010	1	FIXTURE, BLADE		Sus. by C535-000011	
14	++	C535-000011	1	FIXTURE, BLADE			
7	+	900702-00032	1	CIRCLIP 32	CR-32		
8	+	610444-56830	1	WASHER			
9	+	900812-06201	1	BEARING, BALL 6201	6201DDU(LLU)		
10	+	610310-56930	1	SHAFT, P.T.O.			
12	+	610300-56930	1	GEAR SET			
13	+	900810-00629	1	BEARING, BALL 629	629		

9. Gear Case(U-Handle Type), Blade No.9



KEY	LV	PART NUMBER	Q'TY	DESCRIPTION	REMARKS	NOTE1	NOTE2
15	+	610473-52130	1	SPRING, TORSION		Can be used on the 610313-52930 only	
15	+	610473-52131	1	SPRING		Can be used on the C535-000000 only	
16	+	900603-50008	1	WASHER	8.5*18*0.8T		
17	+	610434-50030	1	BOLT 8*6			
18	+	900242-05010	1	SCREW 5*10	5*10		
19	+	900162-06030	1	BOLT, H.S. 6*30	6*30W, SW		
20	+	900800-06001	1	BEARING, BALL 6001	6001		
21	+	900807-06001	1	BEARING, BALL 6001	6001V(LB)	Sus. by 900803-06001	
21	+	900803-06001	1	BEARING, BALL 6001	6001Z		
22	+	900702-00028	1	CIRCLIP 28	CR-28		
23	+	900701-00012	1	CIRCLIP 12	CS-12		
31		696001-55630	1	BLADE, 8-CUTTER 10IN		Sus. by 696001-55631	
31		696001-55631	1	BLADE, 8-CUTTER 10IN	255*8T*1.4 PD25		
32		695001-55630	1	SAW,CIRCULAR 10*80T		Sus. by 695001-55631	
32		695001-55631	1	SAW, CIRCULAR 10*80T	255*80T*1.4 PD25		
33		898503-50030	1	SCABBARD KIT, BLADE		Sus. by P021-007470	

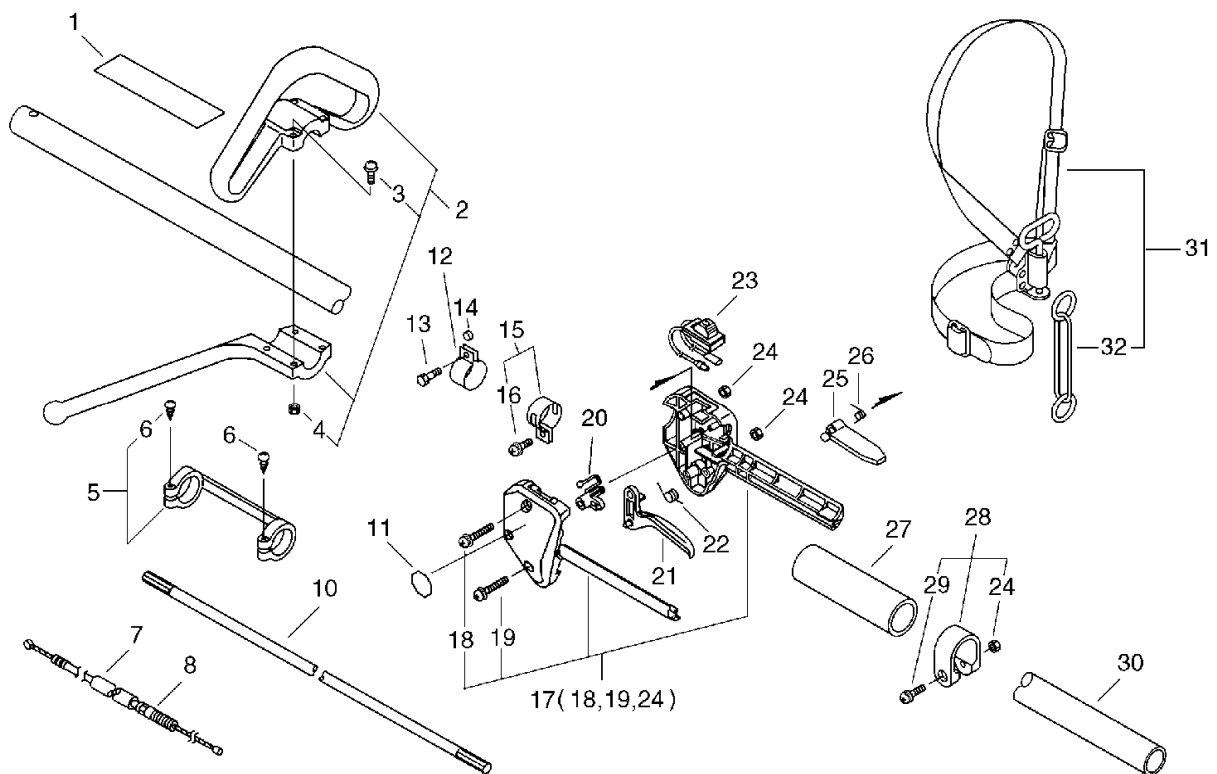
9. Gear Case(U-Handle Type), Blade No.9



KEY	LV	PART NUMBER	Q'TY	DESCRIPTION	REMARKS	NOTE1	NOTE2
33		P021-007470	1	SCABBARD, BLADE			
34	+	898562-43230	1	FIXTURE, SCABBARD		Can be used on 898503-50030 only	
35		699200-56830	1	CAP ASSY, FREE			
36	+	610313-56830	1	PLATE, ADAPTER (U)			
37	+	699226-05430	1	HOLDER, BEARING			
38	+	900814-06202	1	BEARING, BALL 6202	6202ZZ		
39	+	699227-04630	1	NUT			
40	+	699228-08930	1	PLATE, COVER			
41	+	900141-05012	4	BOLT 5*12	5*12		

10. Loop Handle

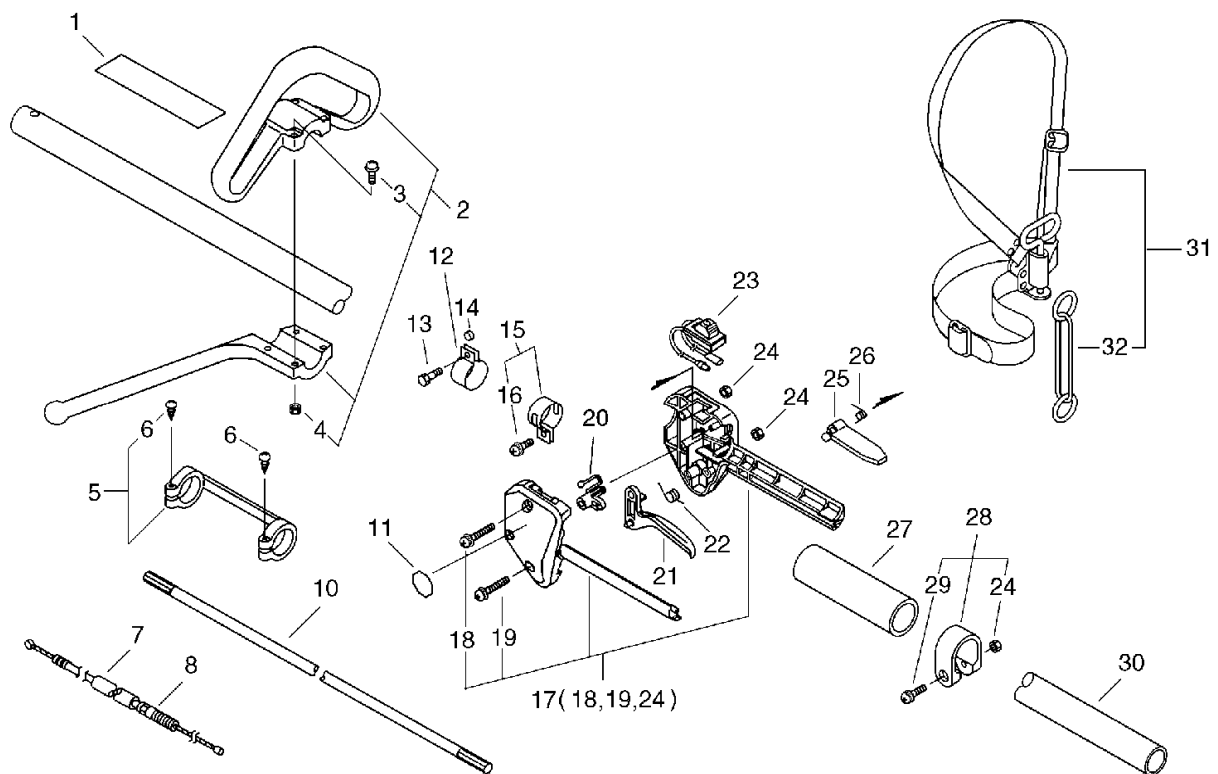
No.10



KEY	LV	PART NUMBER	Q'TY	DESCRIPTION	REMARKS	NOTE1	NOTE2
1		890177-46730	1	LABEL, CAUTION			Sus. by 890617-43130
1		890617-63630	1	LABEL, CAUTION			Sus. by 890617-43130
1		X505-000140	1	LABEL, CAUTION			Sus. by 890617-43130
1		890617-43130	1	LABEL, CAUTION			
2		351201-55630	1	HANDLE ASSY, LOOP			
3	+	900242-05035	4	SCREW 5*35	5*35		
4	+	900500-00005	4	NUT 5	5		
5		610281-42230	1	COLLER			
6	+	900253-04025	2	SCREW 4*25	4*25		
7		178127-55931	1	TUBE	10*11*50		
8		178002-24430	1	WIRE, THROTTLE			Sus. by 178002-64730
8		178002-64730	1	CABLE, THROTTLE			
10		610011-06230	1	SHAFT, DRIVE			
11		890157-39130	1	LABEL, SWITCH			Diuse
12		301207-07530	1	HOOK			
13		900100-05018	1	BOLT 5*18	5*18		
14		699012-03330	1	SPACER			
15		301200-42230	1	HOOK ASSY			
16	+	900242-05014	1	SCREW 5*14	5*14		
17		178003-51830	1	BRACKET SET, THROTTLE			
18	+	900242-05035	1	SCREW 5*35	5*35		
19	+	900242-05025	1	SCREW 5*25	5*25		

10. Loop Handle

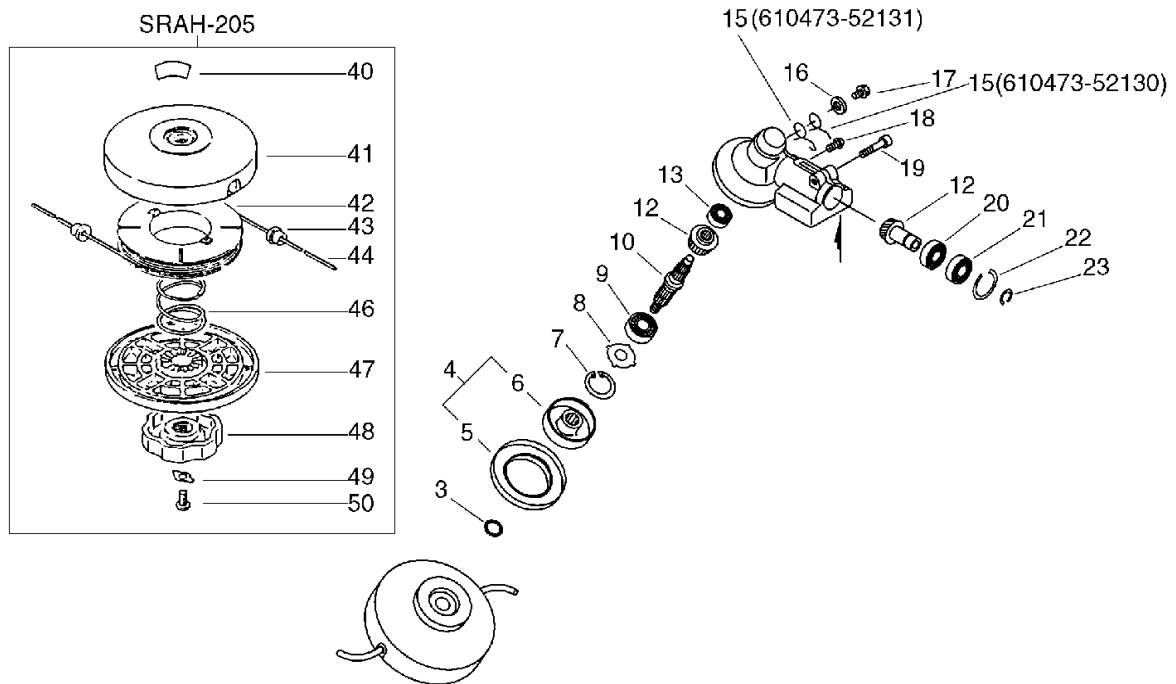
No.10



KEY	LV	PART NUMBER	Q'TY	DESCRIPTION	REMARKS	NOTE1	NOTE2
24	+	900500-00005	2	NUT 5	5		
20		178012-52630	1	LOCKOUT, THROTTLE			
21		178010-52130	1	CONTROL, THROTTLE			
22		178043-42230	1	SPRING, THR. RETURN			
23		163400-49930	1	SWITCH, IGNITION			
25		178090-52630	1	LOCKOUT, T. CONTROL		Sus. by 178090-52632	
25		178090-52631	1	LOCKOUT, T. CONTROL		Sus. by 178090-52632	
25		178090-52632	1	LOCKOUT, T. CONTROL			
26		178013-52630	1	SPRING, THR. LOCK			
27		351213-51830	1	GRIP, FRONT HANDLE			
28		610272-51830	1	BAND			
24	+	900500-00005	1	NUT 5	5		
29	+	900242-05028	1	SCREW 5*28	5*28		
30		610206-52930	1	HOUSING ASSY, D.SHFT			
31		301000-55230	1	HARNESS ASSY			
32	+	301305-24330	1	LINK			

11. Gear Case(Loop Handle Type), Nylon Line Cutting Head

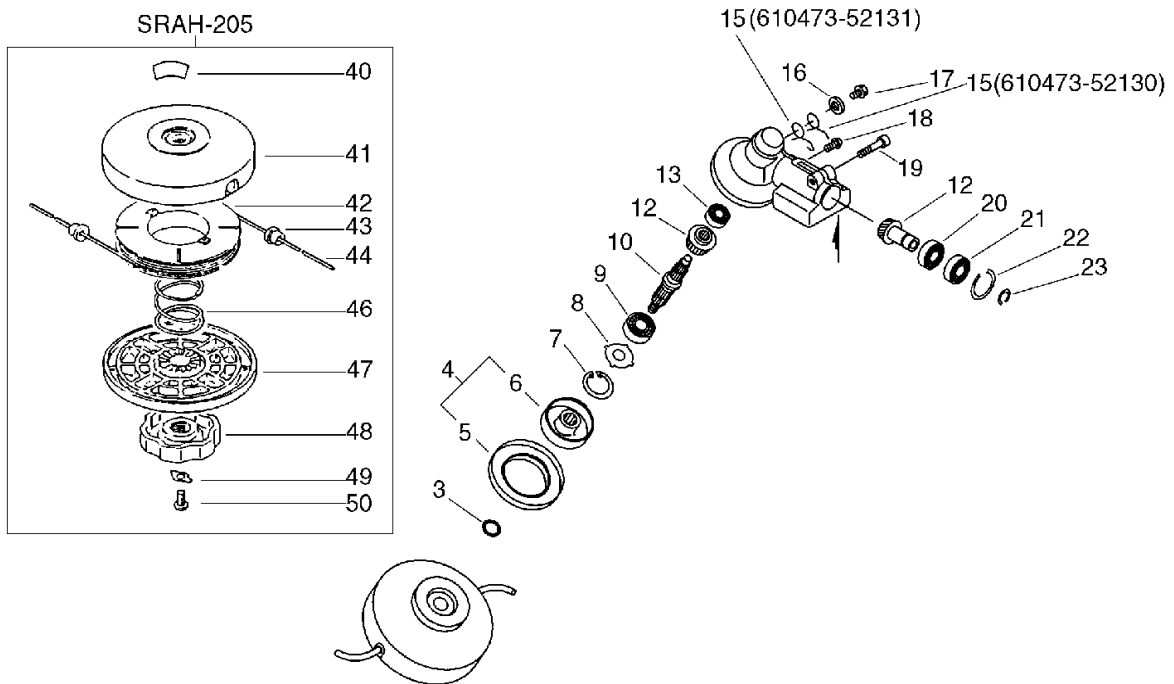
No.11



KEY	LV	PART NUMBER	Q'TY	DESCRIPTION	REMARKS	NOTE1	NOTE2
3		900720-00012	1	O-RING 12	P-12		
4		610313-52930	1	PLATE, ADAPTER (U)		Sus. by C535-000001	
4		C535-000000	1	FIXTURE, BLADE		Sus. by C535-000001	
4		C535-000001	1	FIXTURE, BLADE			
5	+	610352-56830	1	PLATE, CUP			
6	+	C535-000010	1	FIXTURE, BLADE		Sus. by C535-000011	
6	+	C535-000011	1	FIXTURE, BLADE			
7		900702-00032	1	CIRCLIP 32	CR-32		
8		610444-56830	1	WASHER			
9		900812-06201	1	BEARING, BALL 6201	6201DDU(LLU)		
10		610310-56930	1	SHAFT, P.T.O.			
12		610300-56930	1	GEAR SET			
13		900810-00629	1	BEARING, BALL 629	629		
15		610473-52130	1	SPRING, TORSION		Can be used on the 610313-52930 only	
15		610473-52131	1	SPRING		Can be used on the C535-000000 only	
16		900603-50008	1	WASHER	8.5*18*0.8T		
17		610434-50030	1	BOLT 8*6			
18		900242-05010	1	SCREW 5*10	5*10		
19		900162-06030	1	BOLT, H.S. 6*30	6*30W, SW		

11. Gear Case(Loop Handle Type), Nylon Line Cutting Head

No.11



KEY	LV	PART NUMBER	Q'TY	DESCRIPTION	REMARKS	NOTE1	NOTE2
20		900800-06001	1	BEARING, BALL 6001	6001		
21		900807-06001	1	BEARING, BALL 6001	6001V(LB)	Sus. by 900803-06001	
21		900803-06001	1	BEARING, BALL 6001	6001Z		
22		900702-00028	1	CIRCLIP 28	CR-28		
23		900701-00012	1	CIRCLIP 12	CS-12		
40		890617-46730	1	LABEL, CAUTION			
41		696210-56930	1	DRUM, REEL			
42		696214-06830	1	REEL, CORD			
43		696212-06032	2	EYELET			
44		696215-22830	2	CORD, NYLON(2.4*2.5)			
46		696216-06030	1	SPRING			
47		696206-28232	1	COVER, DRUM (BL)			
48		696219-28231	1	NUT (BL)		Sus. by V299-000260	
48		V299-000260	1	KNOB,FASTENER	M16X2		
49		696220-06030	1	STOPPER, NUT			
50		900220-06010	1	SCREW 6*10	6*10		

Index

Patrs Number	Key No.	Patrs Number	Key No.	Patrs Number	Key No.
100000-53630	1 - 14	130111-00530	5 - 6	162010-50330	4 - 39
100000-53631	1 - 14	130302-46430	4 - 19	162014-50330	4 - 36
100011-46430	1 - 13	130307-46432	4 - 15	162021-27230	4 - 39
100012-16131	1 - 23	130310-46430	4 - 17	162110-27230	8 - 11
100013-27430	1 - 15	130311-46430	4 - 18	163400-49930	10 - 23
100014-53630	1 - 17	130406-16331	4 - 21	163400-50330	8 - 8
100015-03930	1 - 16	131004-54930	5 - 12	175005-49930	3 - 29
100015-03931	1 - 16	131005-50432	5 - 36	175009-49930	3 - 3
100105-50430	1 - 22	131016-40930	5 - 13	175018-49931	3 - 2
100127-50430	1 - 41	131016-55830	5 - 13	175018-49932	3 - 2
100142-12330	1 - 24	131045-50430	1 - 36	175046-46430	3 - 1
100204-50430	1 - 19	131051-19830	5 - 20	175048-05530	3 - 4
100212-03930	1 - 28	131051-52430	5 - 14	177200-46430	2 - 11
100213-05530	1 - 18	131205-19830	5 - 11	177200-46431	2 - 11
100215-02830	1 - 20	131300-56430	5 - 4	177202-41030	2 - 5
100242-46430	1 - 25	131314-06320	5 - 27	177214-41030	2 - 13
101010-46431	1 - 12	131328-40630	5 - 5	177215-43130	2 - 14
101011-46431	1 - 10	131600-50430	5 - 12	177218-40630	2 - 8
101506-46431	1 - 8	131910-50430	1 - 35	177220-40630	2 - 15
101511-46431	1 - 29	131917-50430	5 - 29	177226-01110	2 - 17
124113-05530	6 - 1	131920-50430	5 - 16	177227-42030	2 - 18
124114-50330	6 - 2	131923-11120	5 - 15	177228-11120	2 - 19
124115-05530	6 - 3	131924-50430	5 - 37	177228-27030	2 - 19
124116-05530	6 - 4	131931-45430	5 - 31	177234-40630	2 - 7
124159-05530	6 - 13	132010-14530	5 - 3	177236-40630	2 - 12
124200-50330	4 - 12	132010-50430	5 - 23	178001-27230	8 - 10
124200-50330	6 -	132012-50430	5 - 24	178001-50330	4 - 35
124317-49930	6 - 5	132013-26630	5 - 9	178002-24430	10 - 8
124318-49930	6 - 6	132013-50430	5 - 34	178002-64730	10 - 8
124320-52830	6 - 17	132014-50430	4 - 9	178003-51830	10 - 17
124321-21330	6 - 18	132014-50430	5 - 22	178010-05960	8 - 5
124331-49930	6 - 20	132115-50430	5 - 25	178010-52130	10 - 21
124332-21330	6 - 21	132115-55930	5 - 8	178012-05960	8 - 7
124333-05630	6 - 12	132716-34330	4 - 10	178012-52630	10 - 20
124341-49930	6 - 23	132717-50430	5 - 10	178013-35631	8 - 6
124354-12710	6 - 16	145610-46430	4 - 26	178013-52630	10 - 26
124354-46430	6 - 16	145618-46431	4 - 27	178021-05530	4 - 33
124355-21330	6 - 14	145619-46430	4 - 28	178043-42230	10 - 22
124355-50130	6 - 11	145910-46431	4 - 22	178049-06630	4 - 31
124356-21330	6 - 15	152112-46430	3 - 10	178090-52630	10 - 25
124358-49930	6 - 22	156601-46430	3 - 9	178090-52631	10 - 25
124363-21330	6 - 10	156801-52930	3 - 8	178090-52632	10 - 25
124364-05510	6 - 9	159010-10230	3 - 14	178114-05630	4 - 32
124365-05510	6 - 8	159012-10230	3 - 13	178127-50330	4 - 37
124380-12710	6 - 24	159016-05330	3 - 12	178127-55931	10 - 7
130007-50431	4 - 6	159112-09960	8 - 12	178128-22130	4 - 34
130010-46431	4 - 5	159112-09961	8 - 12	224924-52930	8 - 14
130016-22331	4 - 8	159905-46430	1 - 6	301000-55230	10 - 31
130110-54430	5 - 7	159906-46430	1 - 7	301001-56830	8 - 32

Index

Patrs Number	Key No.	Patrs Number	Key No.	Patrs Number	Key No.
301001-56831	8 - 32	610434-50030	9 - 17	895410-08030	7 - 3
301015-05330	8 - 34	610444-56830	11 - 8	895610-00130	7 - 1
301200-05230	8 - 15	610444-56830	9 - 8	897518-01131	7 - 4
301200-42230	10 - 15	610473-52130	11 - 15	898503-50030	9 - 33
301207-07530	10 - 12	610473-52130	9 - 15	898562-43230	9 - 34
301210-04630	8 - 35	610473-52131	11 - 15	899580-40930	7 - 5
301305-24330	10 - 32	610473-52131	9 - 15	899580-68730	7 - 5
305110-46430	1 - 31	610903-40430	3 - 21	900100-05018	10 - 13
351010-52930	8 - 27	610910-40430	3 - 23	900105-05012	8 - 16
351010-52931	8 - 27	695001-55630	9 - 32	900105-05016	4 - 24
351102-47530	8 - 1	695001-55631	9 - 32	900141-05012	9 - 41
351201-55630	10 - 2	696001-55630	9 - 31	900162-04012	1 - 42
351202-51430	8 - 23	696001-55631	9 - 31	900162-04025	1 - 34
351213-51830	10 - 27	696206-28232	11 - 47	900162-04025	2 - 20
351214-52930	8 - 26	696210-56930	11 - 41	900162-05012	1 - 32
351214-52931	8 - 26	696212-06032	11 - 43	900162-05012	5 - 28
351301-52930	8 - 17	696214-06830	11 - 42	900162-05014	1 - 9
351311-22430	8 - 28	696215-22830	11 - 44	900162-05014	4 - 25
351421-52130	8 - 22	696216-06030	11 - 46	900162-05014	5 - 18
436001-54830	5 - 19	696219-28231	11 - 48	900162-05014	7 - 28
436010-50430	5 - 35	696220-06030	11 - 49	900162-05016	3 - 24
436012-37830	5 - 21	699000-52930	7 - 25	900162-05018	7 - 27
436205-50430	5 - 26	699000-52931	7 - 25	900162-05020	1 - 11
437002-50430	1 - 38	699010-52930	7 - 34	900162-05020	1 - 30
437002-50431	1 - 38	699010-52931	7 - 34	900162-05020	4 - 7
437063-50430	1 - 39	699012-03330	10 - 14	900162-05020	8 - 20
605014-54230	8 - 21	699013-52130	7 - 26	900162-05020	8 - 25
610011-06230	10 - 10	699013-56830	7 - 30	900162-05025	1 - 5
610011-06230	8 - 31	699016-52130	7 - 31	900162-05025	3 - 22
610205-46430	3 - 25	699016-54530	7 - 31	900162-05025	7 - 29
610206-52930	10 - 30	699200-56830	9 - 35	900162-05030	8 - 19
610206-52930	8 - 30	699226-05430	9 - 37	900162-06030	11 - 19
610272-51830	10 - 28	699227-04630	9 - 39	900162-06030	9 - 19
610281-42230	10 - 5	699228-08930	9 - 40	900204-03008	6 - 19
610300-56930	11 - 12	699229-56830	9 - 3	900212-03008	6 - 19
610300-56930	9 - 12	890118-49330	2 - 21	900220-05030	5 - 30
610310-56930	11 - 10	890121-50430	4 - 40	900220-05030	8 - 3
610310-56930	9 - 10	890147-50430	5 - 33	900220-06010	11 - 50
610313-52930	11 - 4	890152-04930	8 - 13	900240-04016	1 - 37
610313-52930	9 - 6	890157-39130	10 - 11	900241-03010	6 - 7
610313-56830	9 - 36	890157-39130	8 - 33	900241-03020	6 - 25
610314-52130	9 - 4	890177-46730	10 - 1	900242-04014	4 - 29
610320-52130	9 - 2	890611-50430	1 - 40	900242-04020	4 - 16
610352-56830	11 - 5	890617-43130	10 - 1	900242-05010	11 - 18
610352-56830	9 - 11	890617-43130	8 - 29	900242-05010	4 - 38
610400-56930	9 - 1	890617-46730	11 - 40	900242-05010	9 - 18
610400-56931	9 - 1	890617-46830	8 - 29	900242-05014	10 - 16
610400-56932	9 - 1	890617-63630	10 - 1	900242-05020	3 - 15
610434-50030	11 - 17	895112-00330	7 - 2	900242-05025	10 - 19

Index

Patrs Number	Key No.	Patrs Number	Key No.	Patrs Number	Key No.
900242-05028	10 - 29	94035-36201	1 - 21		
900242-05030	1 - 26	A553-000000	3 - 3		
900242-05035	10 - 3	C062-000180	8 - 32		
900242-05035	10 - 18	C062-000181	8 - 32		
900242-05035	4 - 14	C535-000000	11 - 4		
900246-03025	8 - 2	C535-000000	9 - 6		
900253-04025	10 - 6	C535-000001	11 - 4		
900500-00005	10 - 4	C535-000001	9 - 6		
900500-00005	10 - 24	C535-000010	11 - 6		
900500-00005	10 - 24	C535-000010	9 - 14		
900500-00005	5 - 32	C535-000011	11 - 6		
900500-00005	7 - 33	C535-000011	9 - 14		
900500-00005	8 - 4	P021-002861	7 - 5		
900500-00005	8 - 24	P021-007470	9 - 33		
900502-00008	2 - 10	V299-000260	11 - 48		
900502-00008	3 - 5	X505-000140	10 - 1		
900565-50008	8 - 18	X602-000020	7 - 3		
900600-00008	3 - 7				
900603-00005	5 - 17				
900603-00005	7 - 32				
900603-50008	11 - 16				
900603-50008	9 - 16				
900605-00008	3 - 6				
900700-00004	2 - 6				
900701-00012	11 - 23				
900701-00012	3 - 26				
900701-00012	9 - 23				
900702-00028	11 - 22				
900702-00028	3 - 28				
900702-00028	9 - 22				
900702-00032	1 - 27				
900702-00032	11 - 7				
900702-00032	9 - 7				
900720-00003	4 - 20				
900720-00012	11 - 3				
900720-00012	9 - 5				
900800-06001	11 - 20				
900800-06001	9 - 20				
900803-06001	11 - 21				
900803-06001	9 - 21				
900807-06001	11 - 21				
900807-06001	3 - 27				
900807-06001	9 - 21				
900810-00629	11 - 13				
900810-00629	9 - 13				
900810-36201	1 - 21				
900812-06201	11 - 9				
900812-06201	9 - 9				
900814-06202	9 - 38				

YAMABIKO CORPORATION

7-2 SUEHIROCHO 1-CHOME, OHME, TOKYO 198-8760, JAPAN
PHONE: 81-428-32-6118. FAX: 81-428-32-6145.

ECHO®



45SL
No.