



PARTS CATALOG

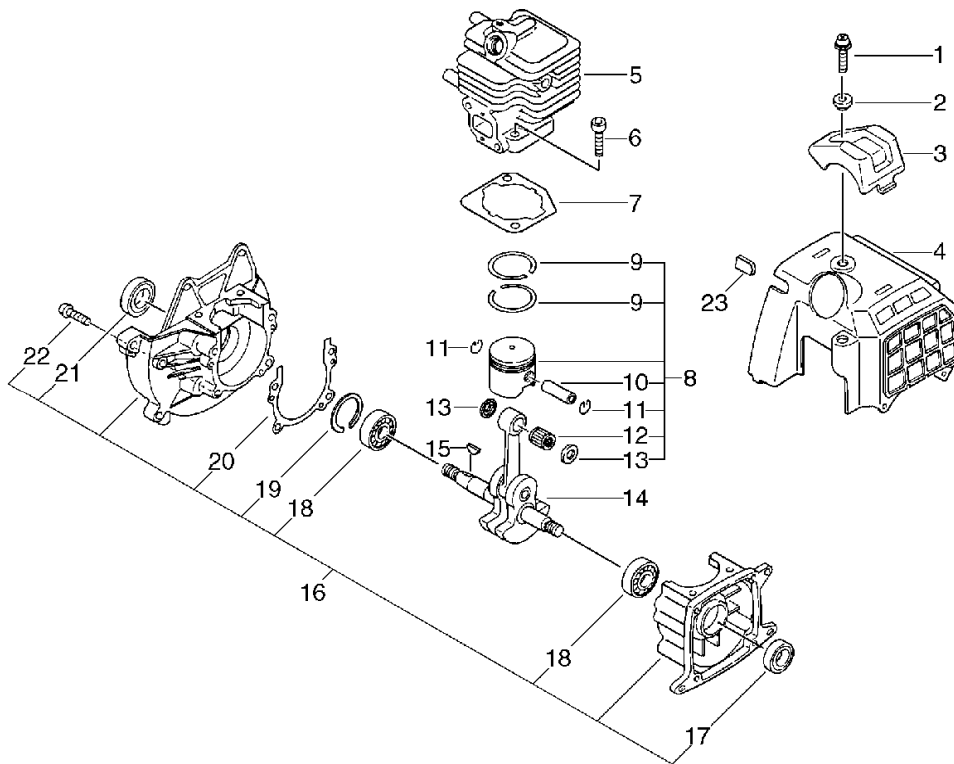
GRASS-TRIMMER / BRUSHCUTTER

SRM-2655S

SRM-2655S

1. Cylinder, Crankcase, Piston

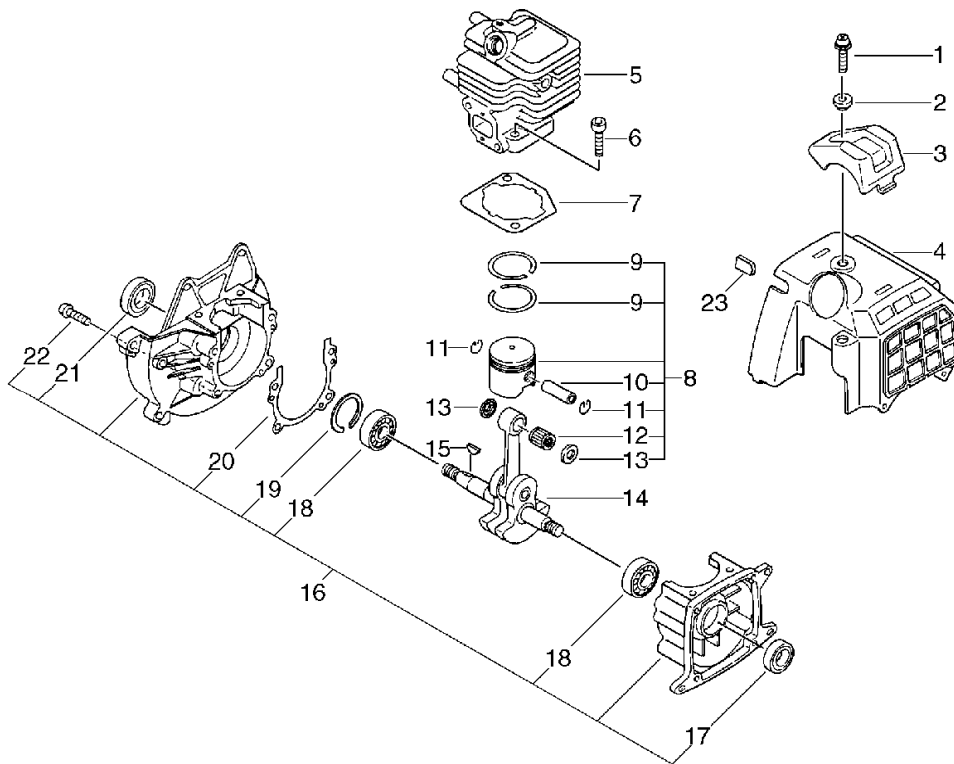
No.1



KEY	LV	PART NUMBER	Q'TY	DESCRIPTION	REMARKS	NOTE1	NOTE2
1		900106-05020	1	BOLT, H.S. 5*20	5*20		
2		V353-000020	1	COLLAR,5	12*5.5*4.5L		
3		159905-55930	1	GUARD, TOP			
4		A160-000220	1	COVER,CYLINDER			
5		101034-56532	1	CYLINDER			
6		900162-05022	4	BOLT, H.S. 5*22	5*22 W,SW		
7		101010-56030	1	GASKET, CYL. BASE			
8		P021-000371	1	PISTON KIT			
9	+	A101-000010	2	RING,PISTON			
10	+	100013-56030	1	PIN, PISTON	5*8*28		
11	+	100015-04630	2	CIRCLIP, PISTON PIN			
12	+	V553-000020	1	BEARING,NEEDLE 8	KBK8X11X8.8X4		
13	+	100014-55930	2	SPACER, PISTON PIN			
14		100100-56030	1	CRANKSHAFT ASSY		Sus. by 100100-56032	
14		100100-56032	1	CRANKSHAFT			
15		100142-12330	1	KEY, WOODRUFF			
16		100204-56230	1	CRANKCASE KIT		Sus. by 100204-56232	
16		100204-56231	1	CRANKCASE KIT		Sus. by 100204-56232	
16		100204-56232	1	CRANKCASE KIT			
17	+	100213-05530	1	OILSEAL	ISCD 12 22 7		
18	+	900800-36001	2	BEARING, BALL 6001	6001/C3		
19	+	900702-00028	1	CIRCLIP 28	CR-28		

1. Cylinder, Crankcase, Piston

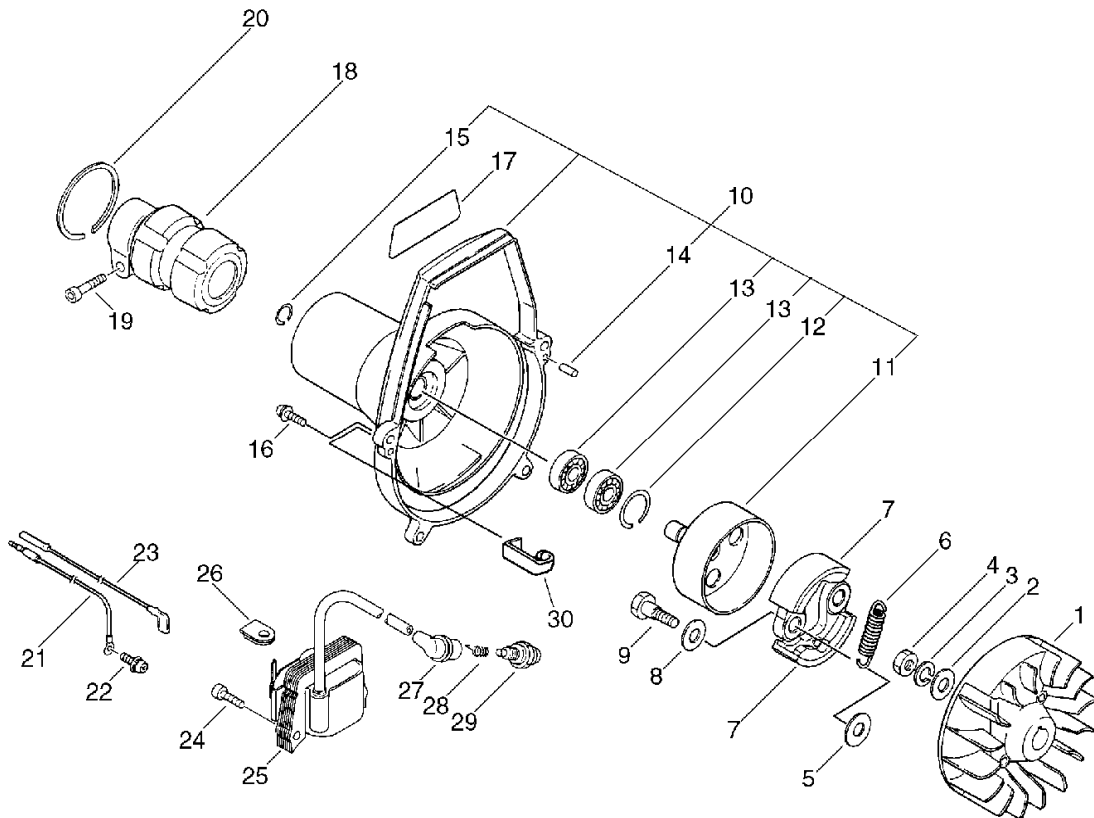
No.1



KEY	LV	PART NUMBER	Q'TY	DESCRIPTION	REMARKS	NOTE1	NOTE2
20	+	100242-55930	1	GASKET, CRANKCASE			
21	+	100212-28230	1	OILSEAL ISCD 12*28*7	ISCD 12*28*7		
22	+	900162-05025	4	BOLT, H.S. 5*25	5*25 W,SW		
23		101538-28230	1	GROMMET, PLUG			

2. Fan Cover, Magneto, Clutch

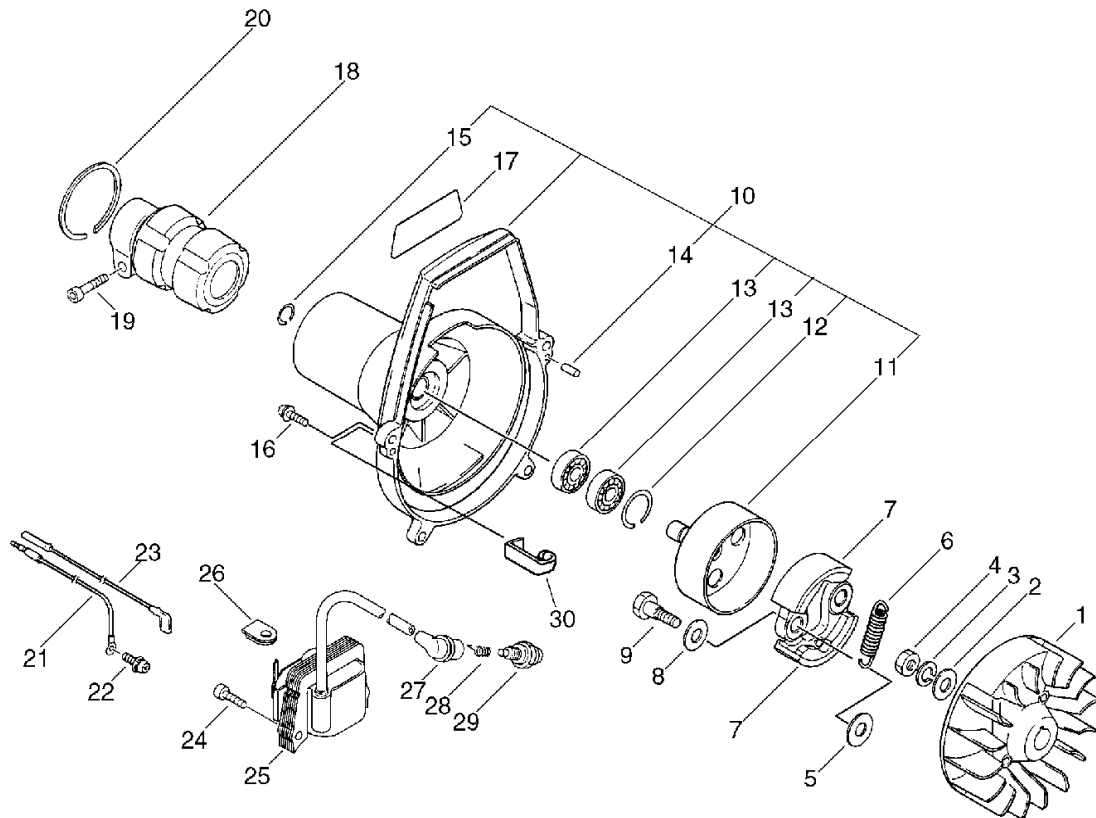
No.2



KEY	LV	PART NUMBER	Q'TY	DESCRIPTION	REMARKS	NOTE1	NOTE2
1		152801-55930	1	ROTOR, MAGNET			
2		900600-00008	1	WASHER 8	8		
3		900605-00008	1	WASHER, SPRING 8	8		
4		900502-00008	1	NUT 8 (3N)	3N8		
5		175048-05530	2	WASHER (I)	6.2*19*1.0		
6		175018-05533	1	SPRING, CLUTCH			
7		175009-55930	2	SHOE, CLUTCH		Sus. by 175009-55931	
7		175009-55931	2	SHOE, CLUTCH			
8		175049-56030	2	WASHER	8.5*16*0.5		
9		175046-56030	2	SHAFT, CLUTCH			
10		101503-56031	1	COVER ASY, FAN			
11	+	175005-55930	1	DRUM, CLUTCH			
12	+	900702-00026	1	CIRCLIP 26	CR-26		
13	+	900807-06000	2	BEARING, BALL 6000LB	6000LB/2A		
14	+	100215-03930	2	PIN, DOWEL			
15	+	900701-00010	1	CIRCLIP 10	CS-10		
16		900162-05018	2	BOLT, H.S. 5*18	5*18 W,SW		
17		X503-002250	1	LABEL, MODEL	SRM-2655S		
18		610922-55931	1	HOLDER, MAIN PIPE			
19		900162-05028	1	BOLT, H.S. 5*28	5*28 W,SW		
20		900702-00042	1	CIRCLIP 42	CR-42		
21		162014-52930	1	LEAD, GROUND			
22		900242-05010	1	SCREW 5*10	5*10		
23		162010-56430	1	LEAD, GROUND	145L		
24		900162-05022	2	BOLT, H.S. 5*22	5*22 W,SW		

2. Fan Cover, Magneto, Clutch

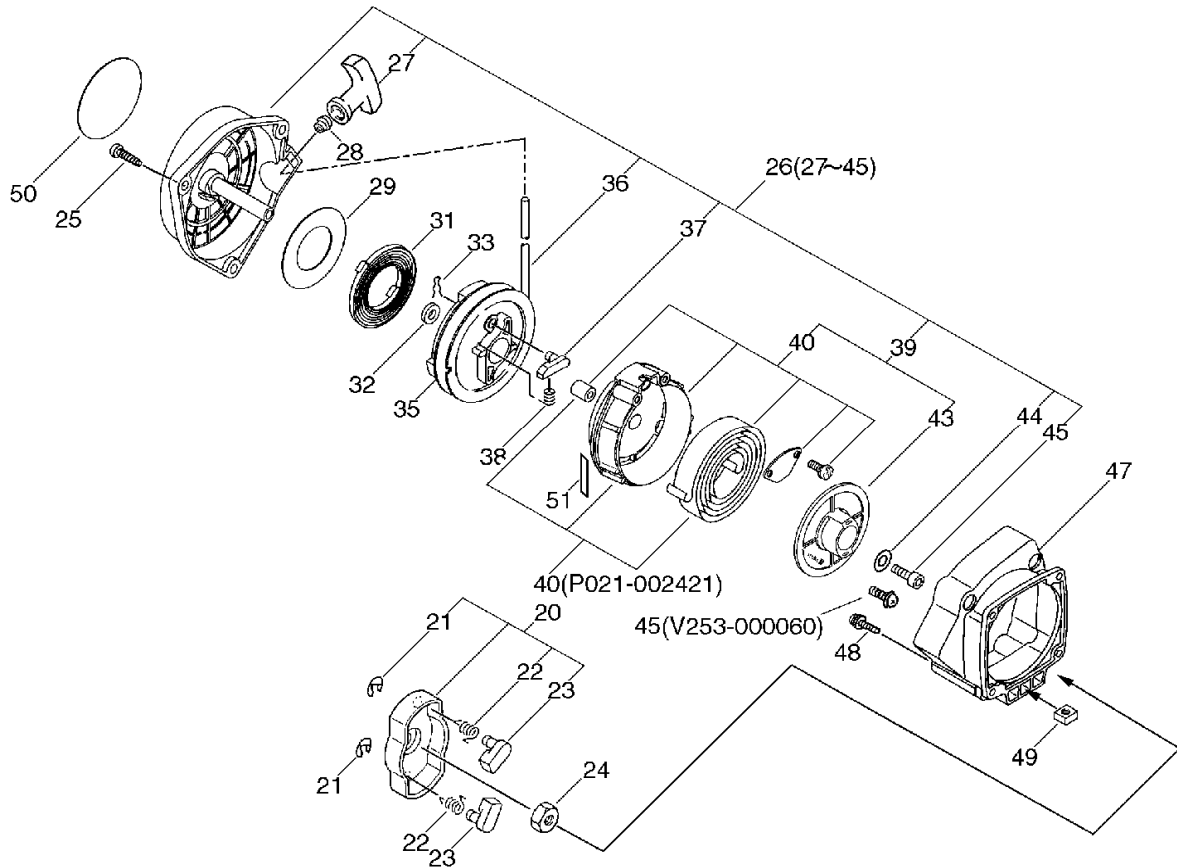
No.2



KEY	LV	PART NUMBER	Q'TY	DESCRIPTION	REMARKS	NOTE1	NOTE2
25		152626-56032	1	COIL, IGNITION			
26		156112-40630	1	GROMMET			
27		159012-03433	1	CAP, SPARK PLUG			
28		159011-03432	1	COIL, SPARK PLUG			
29		159010-10230	1	PLUG, SPARK (BPMR-7A)	BPMR-7A		
30		178111-06230	1	CLIP			

3. Starter

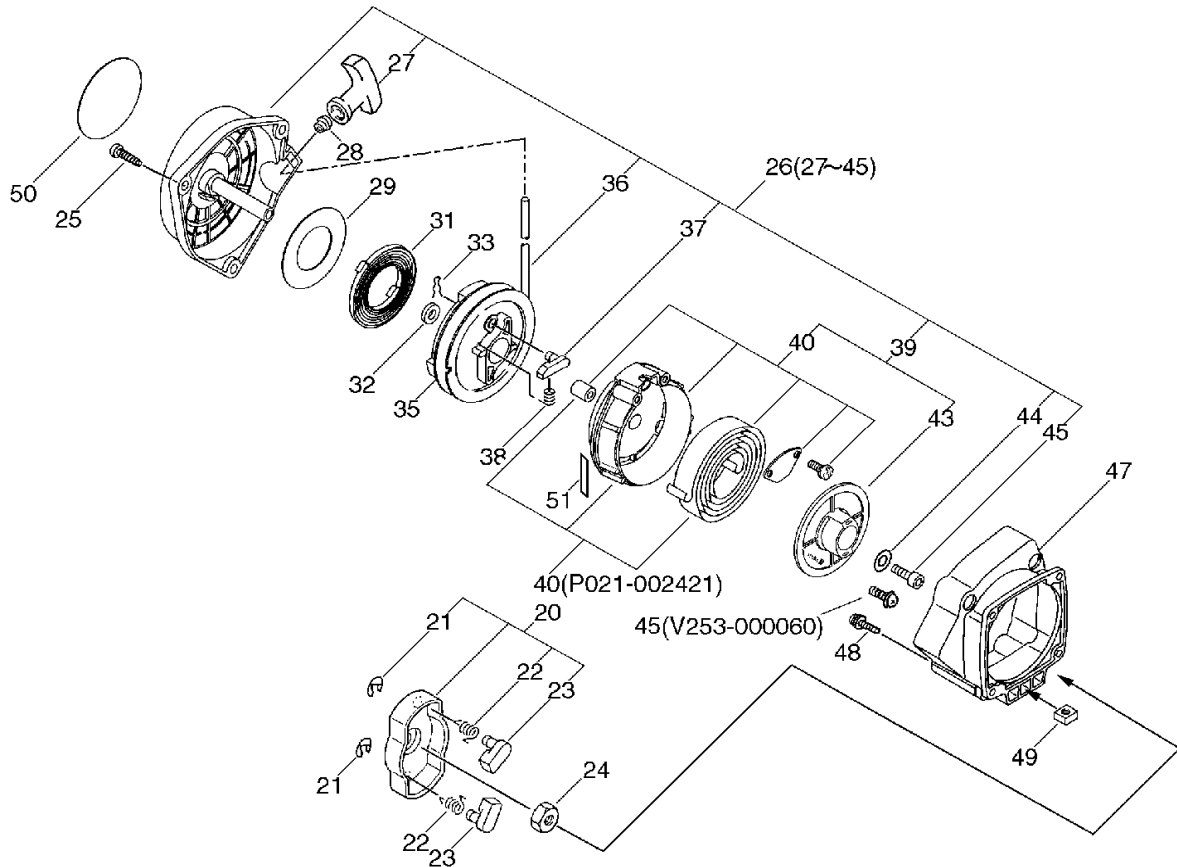
No.3



KEY	LV	PART NUMBER	Q'TY	DESCRIPTION	REMARKS	NOTE1	NOTE2
20		A052-000030	1	PULLEY,ASM STARTER			
21	+	900700-00004	2	E-RING 4	CE-4		
22	+	177234-40630	2	SPRING, RETURN			
23	+	177218-40630	2	PAWL, STARTER	WHITE		
24		900502-00008	1	NUT 8 (3N)	3N8		
25		900253-05020	3	SCREW 5*20	5*20		
26		A051-000054	1	STARTER,RECOIL		Sus. by A051-000057	
26		A051-000055	1	STARTER,RECOIL		Sus. by A051-000057	
26		A051-000056	1	STARTER,RECOIL		Sus. by A051-000057	
26		A051-000057	1	STARTER,RECOIL			
27	+	177228-27030	1	GRIP, STARTER			
28	+	177227-42030	1	GUIDE, ROPE			
29	+	A503-000010	1	PLATE,STARTER			
31	+	A504-000000	1	SPRING,SPIRAL		Sus. by A504-000001	
31	+	A504-000001	1	SPRING,SPIRAL			
32	+	V355-000080	1	COLLAR,8	8.2*16*3		
33	+	V641-000040	2	PIN,SNAP			
35	+	A506-000010	1	REEL,ROPE			
36	+	177226-10120	1	ROPE, STARTER	3.0*1000		
37	+	A514-000010	2	PAWL			
38	+	V450-000130	2	SPRING,COMPRESSION			

3. Starter

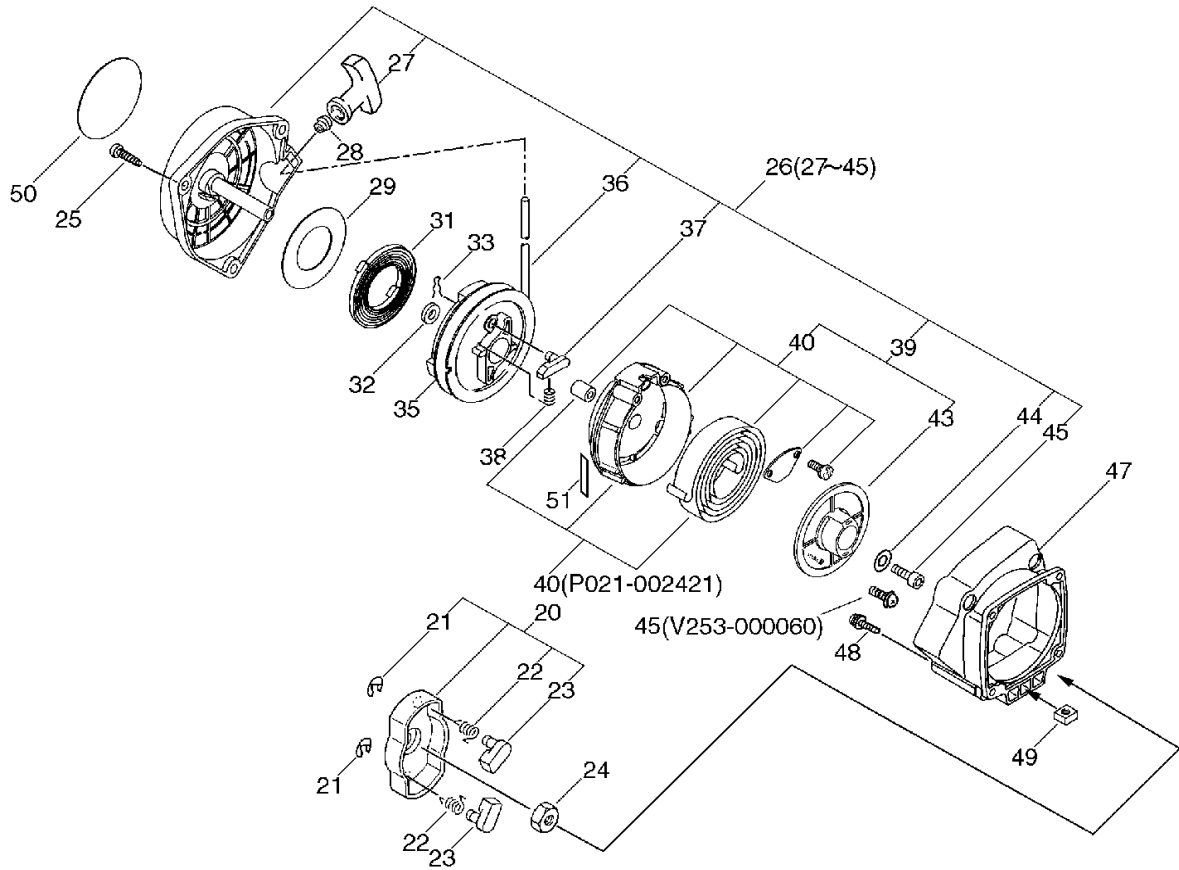
No.3



KEY	LV	PART NUMBER	Q'TY	DESCRIPTION	REMARKS	NOTE1	NOTE2
40	+	P021-002421	1	POWER SPRING ASY		Sus. by A053-000031	
39	+	A053-000030	1	SPRING,SET POWER		Sus. by A053-000031	
39	+	A053-000031	1	SPRING,ASM POWER			
40	++	P021-002422	1	POWER SPRING ASY		Sus. by P021-004020	
40	++	P021-004020	1	POWER SPRING ASY			
43	++	A520-000023	1	PULLEY,STARTING		Can be used on the P021-002422,-4020	
43	+	A520-000022	1	PULLEY,STARTING		Can be used on the P021-002421 only	
44	+	177214-02830	1	WASHER	5.2*16*1.0T	Sus. by V253-000060	
45	+	900105-05012	1	BOLT, H.S. 5*12	5*12	Sus. by V253-000060	
45	+	V253-000060	1	SCREW,5			
47		V376-000190	1	SPACER			
48		900162-04014	4	BOLT, H.S. 4*14	4*14 W,SW		
49		900565-00005	1	NUT	5		
50		X502-000030	1	LABEL,ECHO			
50		X502-000031	1	LABEL,ECHO		Sus. by X502-000032	
50		X502-000032	1	LABEL,ECHO			

3. Starter

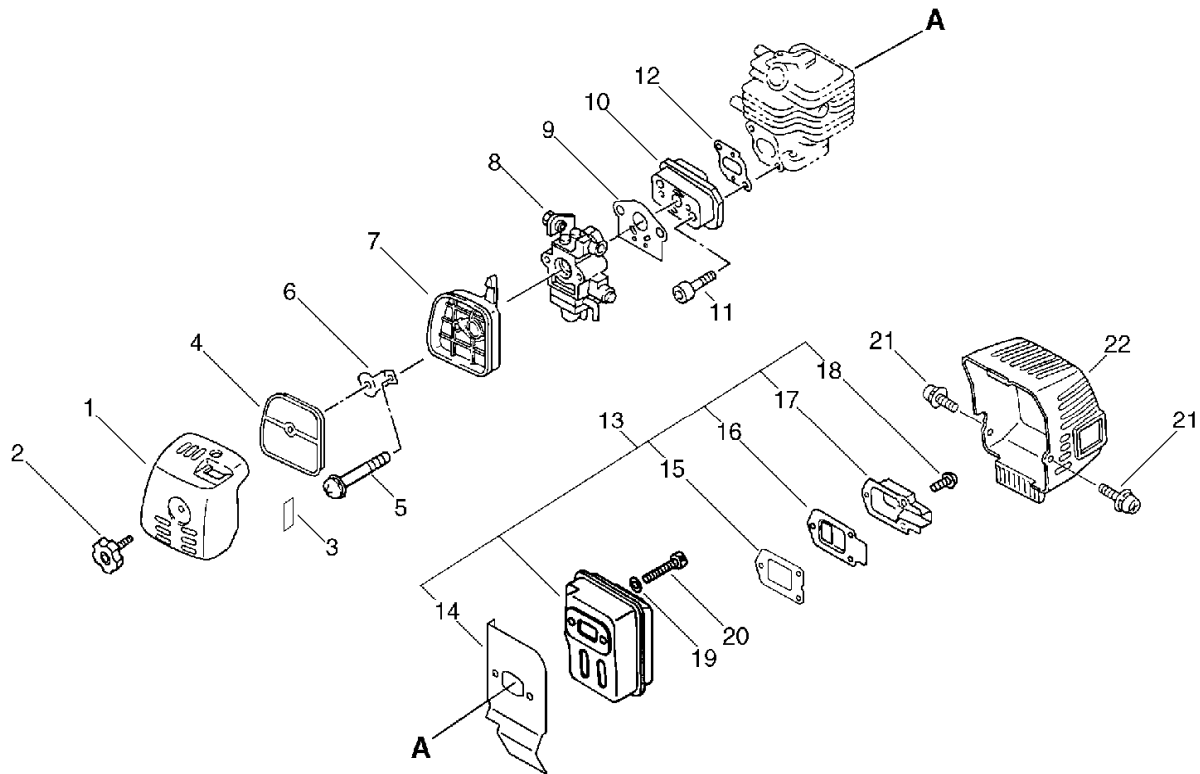
No.3



KEY	LV	PART NUMBER	Q'TY	DESCRIPTION	REMARKS	NOTE1	NOTE2
51		X505-000620	1	LABEL,CAUTION			

4. Air Cleaner, Muffler

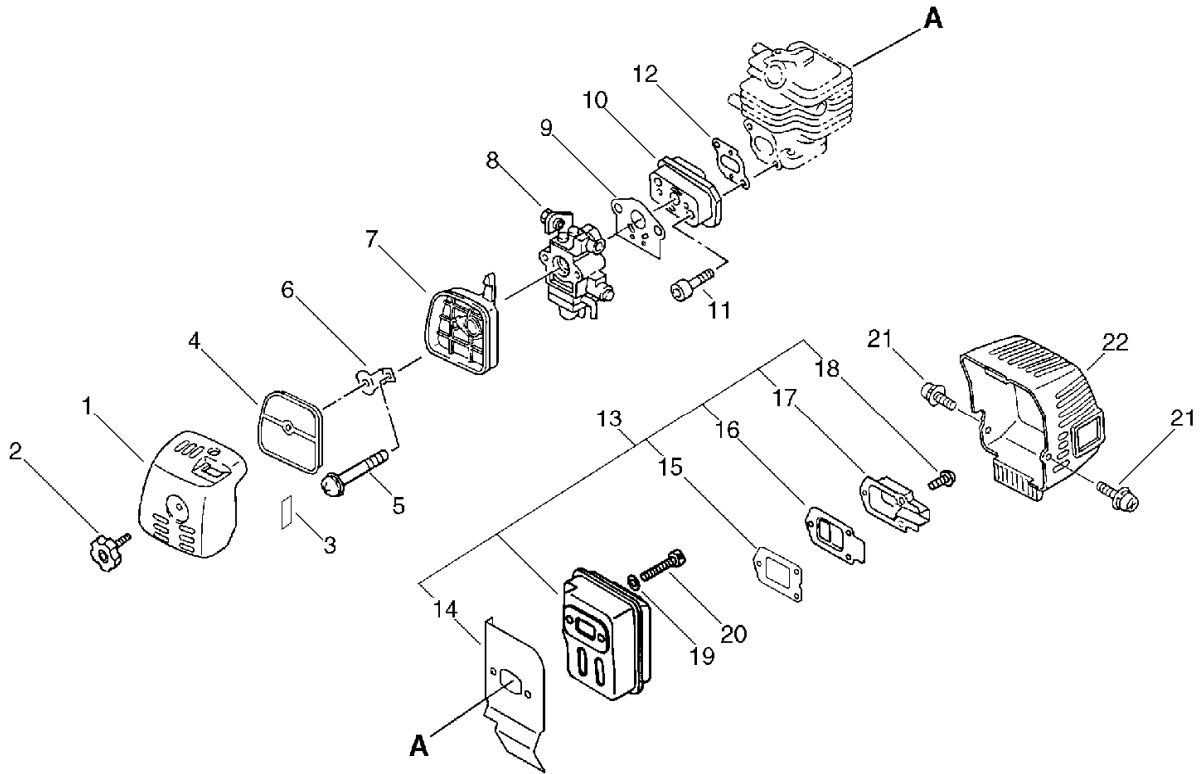
No.4



KEY	LV	PART NUMBER	Q'TY	DESCRIPTION	REMARKS	NOTE1	NOTE2
1		130313-57731	1	LID, CLEANER			
2		130406-52130	1	KNOB, FASTENER		Sus. by 130406-52131	
2		130406-52131	1	KNOB, FASTENER			
3		890332-52730	1	LABEL, CHOKE			
4		130310-51830	1	FILTER, AIR			
5		900242-05055	2	SCREW 5*55 (W/W.SW)	5*55		
6		129011-57730	1	PLATE, PRVENT		Sus. by 129011-57731	
6		129011-57731	1	PLATE,PRVENT			
7		130307-57730	1	CASE, AIR CLEANER			
8		123000-57730	1	CARBURETOR ASSY	WYJ-192	Sus. by 123000-57731	
8		123000-57731	1	CARBURETOR	WYJ-192A		
9		130010-13410	1	GASKET, INTAKE			
10		130017-56431	1	INSULATOR			
11		900162-05025	2	BOLT, H.S. 5*25	5*25 W,SW		
12		130010-55930	1	GASKET, INTAKE			
13		145802-65831	1	MUFFLER ASY			
14	+	145510-55932	1	GASKET, MUFFLER			
15	+	145866-42031	1	GASKET, MUFFLER LID			
16	+	145876-42030	1	LID, MUFFLER (B)			
17	+	145818-52130	1	GUIDE, EXHAUST			
18	+	900238-04010	3	SCREW 4*10	4*10		
19		900600-00005	2	WASHER 5	5		
20		900105-05055	2	BOLT, H.S. 5*55	5*55		

4. Air Cleaner, Muffler

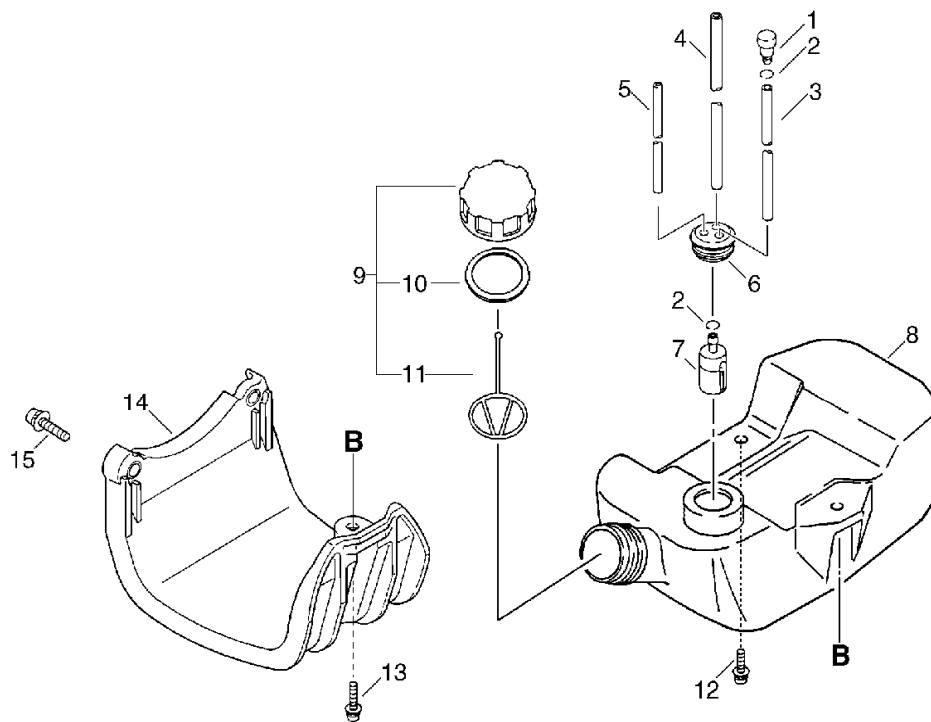
No.4



KEY	LV	PART NUMBER	Q'TY	DESCRIPTION	REMARKS	NOTE1	NOTE2
21		900162-05012	2	BOLT, H.S. 5*12	5*12 W,SW		
22		145621-57731	1	COVER, MUFFLER			

5. Fuel Tank

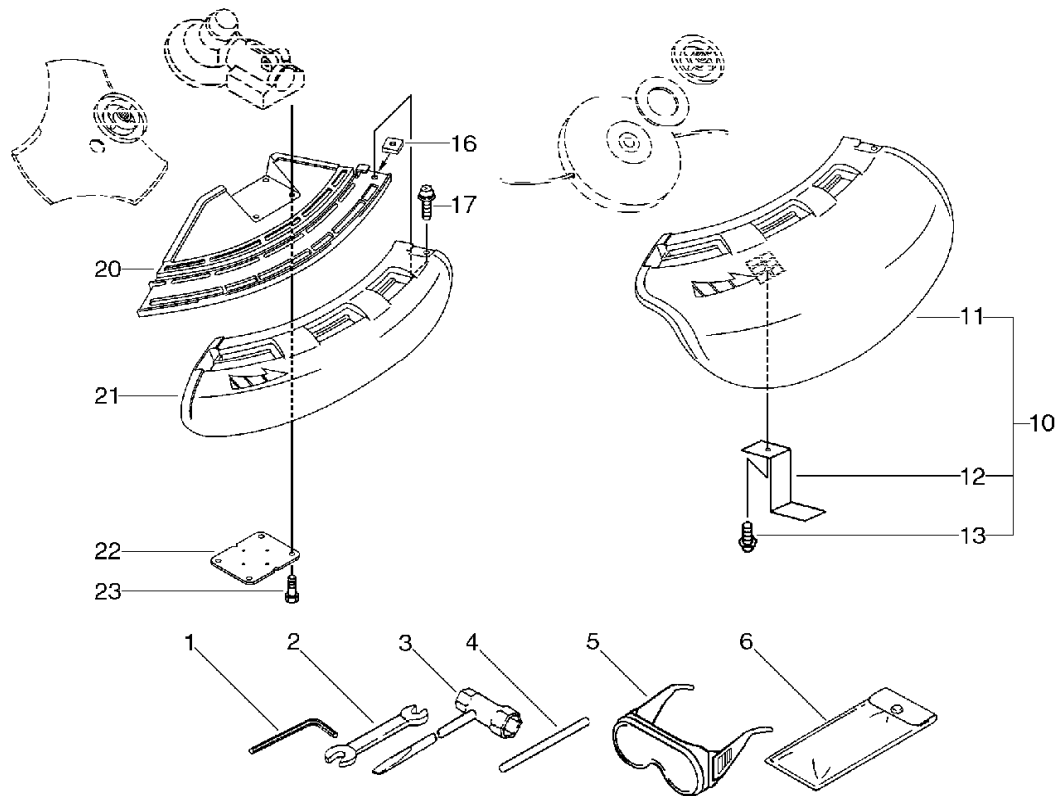
No.5



KEY	LV	PART NUMBER	Q'TY	DESCRIPTION	REMARKS	NOTE1	NOTE2
1		131300-56430	1	VALVE, CHECK			
2		132013-26630	2	CLIP	6.5MM		
3		437217-20760	1	PIPE 3*6*100	3*6*100 NBR		
4		132010-52030	1	PIPE	3*6*170 NBR		
5		437215-20760	1	PIPE 3*6*60	3*6*60 YL		
6		132115-55930	1	GROMMET, FUEL			
7		131205-19830	1	STRAINER, FUEL			
8		131005-56531	1	TANK, FUEL		Sus. by 131005-56532	
8		131005-56532	1	TANK, FUEL			
9		131004-55530	1	CAP ASSY, FUEL TANK			
10	+	131016-55830	1	GASKET, FUEL CAP			
11	+	131051-56030	1	CLIP, FUEL CAP	100L		
12		900239-05016	2	SCREW 5*16	5*16		
13		900244-05020	1	SCREW	5*20		
14		305110-57732	1	STAND		Sus. by 305110-57733	
14		305110-57733	1	STAND			
15		900162-05022	2	BOLT, H.S. 5*22	5*22 W,SW		

6. Shield, Tools

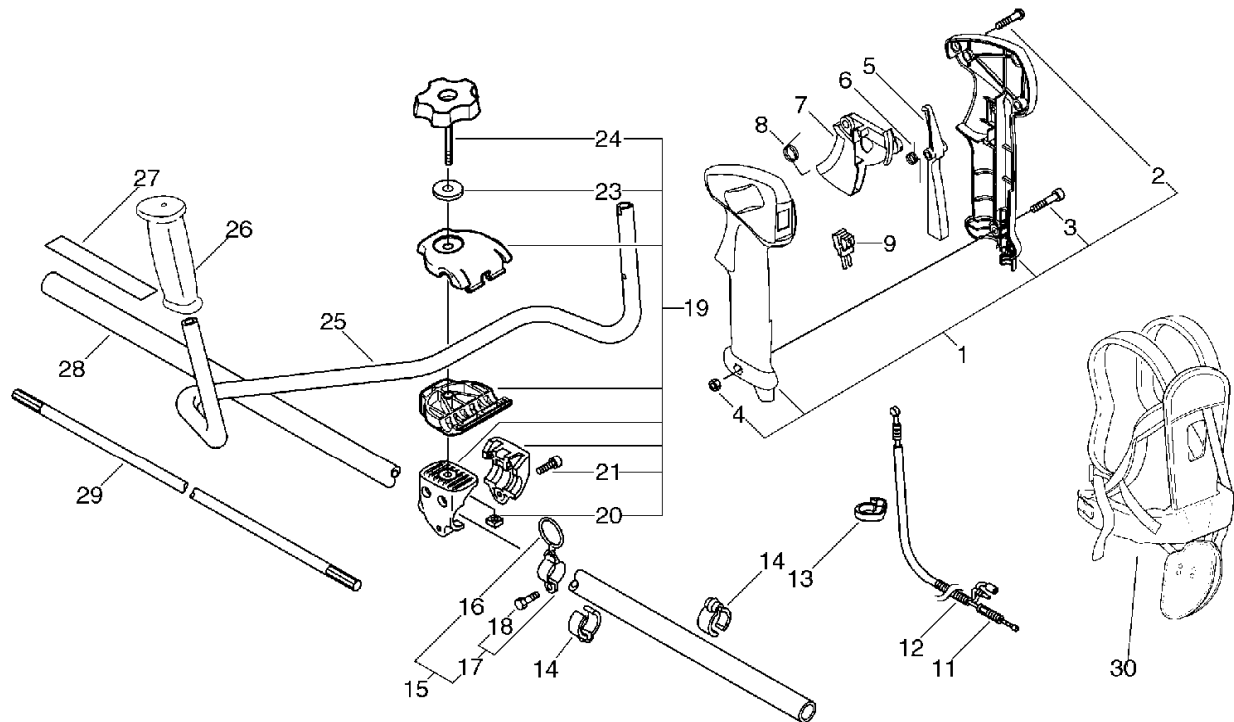
No.6



KEY	LV	PART NUMBER	Q'TY	DESCRIPTION	REMARKS	NOTE1	NOTE2
1		895610-00130	1	L-WRENCH (4MM)			
2		895112-00330	1	SPANNER 8*10			
3		895410-08030	1	WRENCH, W/S. DRIVER		Sus. by X602-000020	
3		X602-000020	1	TOOL,WRENCH	17*19 L200		
4		897518-01131	1	LOCKING TOOL			
5		899580-68730	1	SAFETY GLASSES		Sus. by P021-002861	
5		P021-002861	1	GOGGLES			
6		898510-39130	1	BAG, TOOL			
10		P021-002620	1	SHIELD,BLADE(W/KNIFE)			
11	+	C550-000080	1	SHIELD,BLADE			
12	+	C554-000000	1	KNIFE,CORD			
13	+	900252-05012	1	SCREW 5*12	5*12		
16		900565-00005	1	NUT	5		
17		900242-05018	1	SCREW 5*18	5*18		
20		C550-000100	1	SHIELD,BLADE			
21		C550-000090	1	SHIELD,BLADE			
22		699013-56830	1	PLATE, SHIELD			
23		900162-05025	4	BOLT, H.S. 5*25	5*25 W,SW		

7. U-Handle

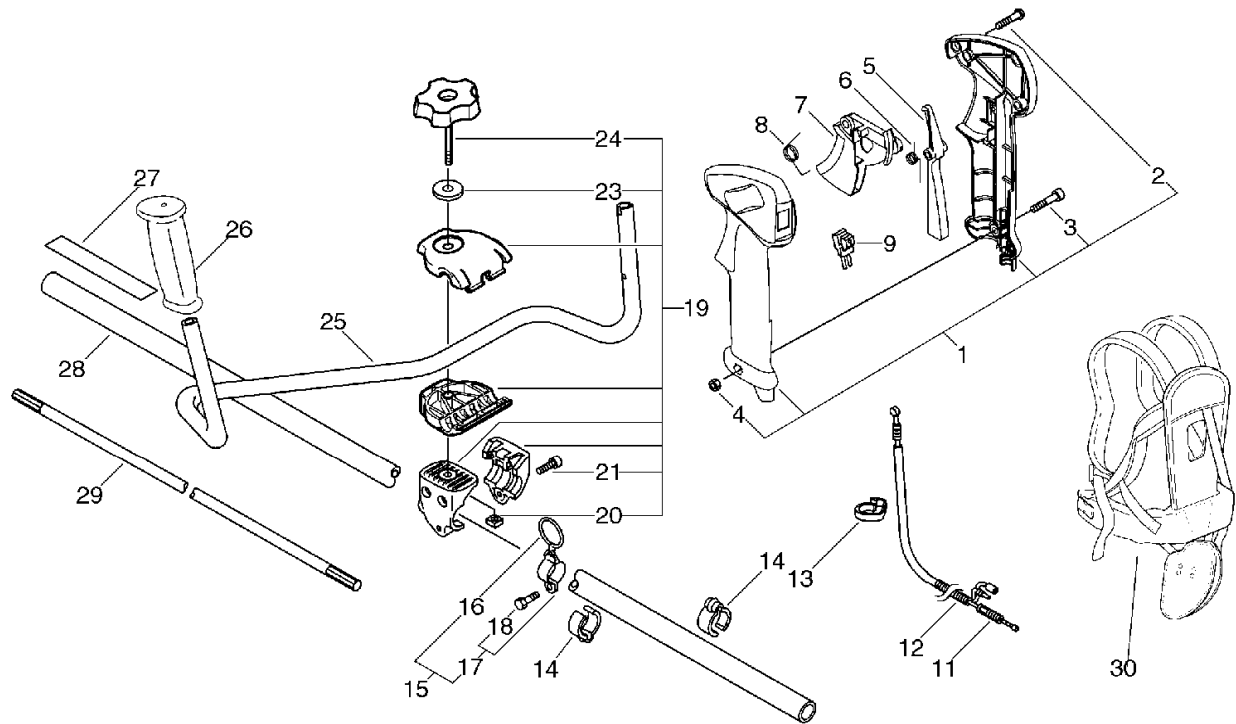
No.7



KEY	LV	PART NUMBER	Q'TY	DESCRIPTION	REMARKS	NOTE1	NOTE2
1		P021-002610	1	GRIP ASY,F-HANDLE			
2	+	900253-04016	3	SCREW 4*16	4*16		
3	+	900220-05030	1	SCREW 5*30	5*30		
4	+	900500-00005	1	NUT 5	5		
5		C460-000010	1	LOCKOUT,THROTTLE		Sus. by C460-000011	
5		C460-000011	1	LOCKOUT,THROTTLE			
6		V452-000050	1	SPRING,TORSION			
7		C450-000020	1	TRIGGER,THROTTLE		Sus. by C450-000022	
7		C450-000021	1	TRIGGER,THROTTLE		Sus. by C450-000022	
7		C450-000022	1	TRIGGER,THROTTLE			
8		V452-000060	1	SPRING,TORSION			
9		163401-43130	1	SWITCH, IGNITION			
11		V430-000361	1	CABLE,BOWDEN		Sus. by V430-000362	
11		V430-000362	1	CABLE,BOWDEN	SRM-2655		
12		V475-000000	1	TUBE	7*790		
13		159112-09960	1	CLIP		Sus. by 224924-52130	
13		159112-09961	1	CLIP			
14		224924-52130	2	CLIP	25MM		
15		301200-21330	1	HOOK ASS'Y			
16	+	301015-05330	1	HOOK, BAND			
17	+	301205-21330	1	HOOK			

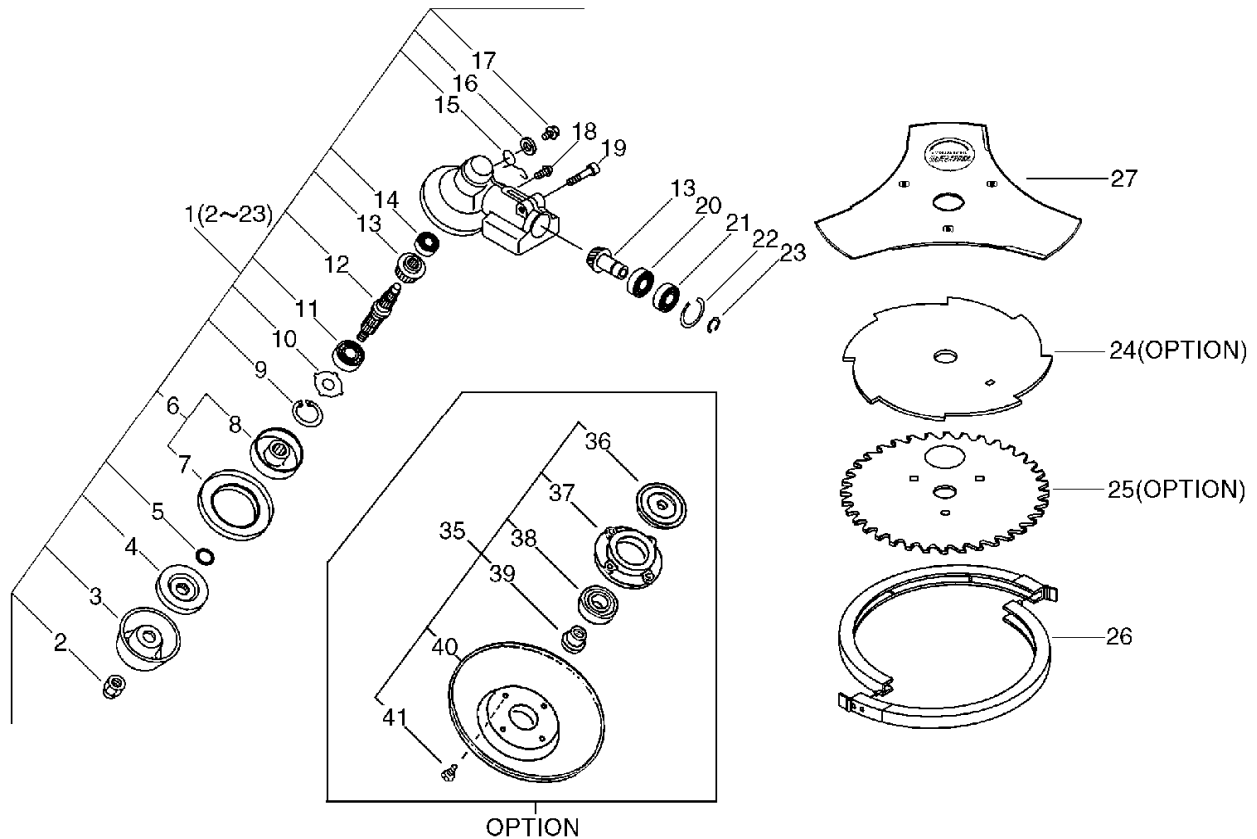
7. U-Handle

No.7



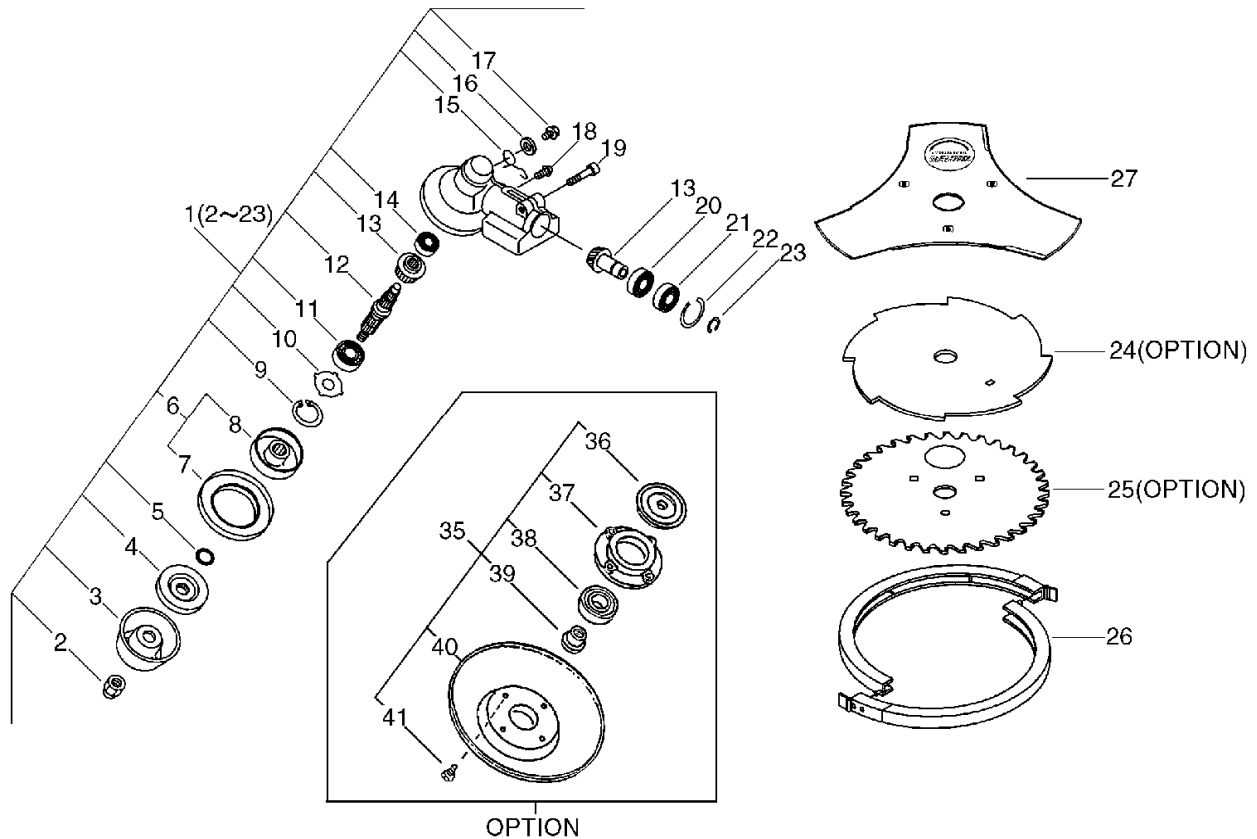
KEY	LV	PART NUMBER	Q'TY	DESCRIPTION	REMARKS	NOTE1	NOTE2
18	++	900105-05012	1	BOLT, H.S. 5*12	5*12		
19		P021-002750	1	BRACKET ASY, HANDLE		Sus. by P021-002751	
19		P021-002751	1	BRACKET ASY, HANDLE			
20	+	900565-50008	1	NUT	8*1.25		
21	+	900162-05030	3	BOLT, H.S. 5*30	5*30 W,SW		
23	+	605014-54230	1	WASHER			
24	+	V299-000110	1	KNOB,FASTENER			
25		C400-000000	1	HANDLE,FRONT			
26		C403-000030	1	GRIP,HANDLE		Sus. by C403-000031	
26		C403-000031	1	GRIP,HANDLE			
27		890617-43130	1	LABEL,CAUTION			
28		610206-23030	1	HOUSING ASS'Y, D.SFT			
29		610011-25530	1	SHAFT, DRIVE			
30		301001-56831	1	HARNESS ASY,SHOULDER		Sus. by C062-000181	
30		C062-000180	1	HARNESS,SHOULDER	ECHO	Sus. by C062-000181	
30		C062-000181	1	HARNESS,SHOULDER		Sus. by C062-000181	

8. Gear Case(U-Handle Type), Blade No.8



KEY	LV	PART NUMBER	Q'TY	DESCRIPTION	REMARKS	NOTE1	NOTE2
1		610400-52131	1	CASE ASY, GEAR		Sus. by 610400-52132	
1		610400-52132	1	CASE ASY, GEAR			
2	+	610320-52130	1	NUT 10			
3	+	699229-56830	1	PLATE, COVER			
4	+	610314-52130	1	PLATE, ADAPTER (L)			
5	+	900720-00012	1	O-RING 12	P-12		
6	+	C535-000000	1	FIXTURE, BLADE		Sus. by C535-000001	
6	+	C535-000001	1	FIXTURE, BLADE			
7	++	610352-56830	1	PLATE, CUP			
8	++	C535-000010	1	FIXTURE, BLADE		Sus. by C535-000011	
8	++	C535-000011	1	FIXTURE, BLADE			
9	+	900702-00032	1	CIRCLIP 32	CR-32		
10	+	610444-56830	1	WASHER			
11	+	900812-06201	1	BEARING, BALL 6201	6201DDU(LLU)		
12	+	610310-56830	1	SHAFT, P.T.O.			
13	+	610300-25531	1	GEAR SET	7S		
14	+	900810-00626	1	BEARING, BALL 626	626		
15	+	610473-52131	1	SPRING			
16	+	900603-50008	1	WASHER	8.5*18*0.8T		
17	+	610434-50031	1	BOLT 8*8	M8*8		
18	+	900242-05010	1	SCREW 5*10	5*10		
19	+	900162-06025	1	BOLT, H.S. 6*25	6*25 W,SW		
20	+	900855-06900	1	BEARING, BALL 6900	6900		

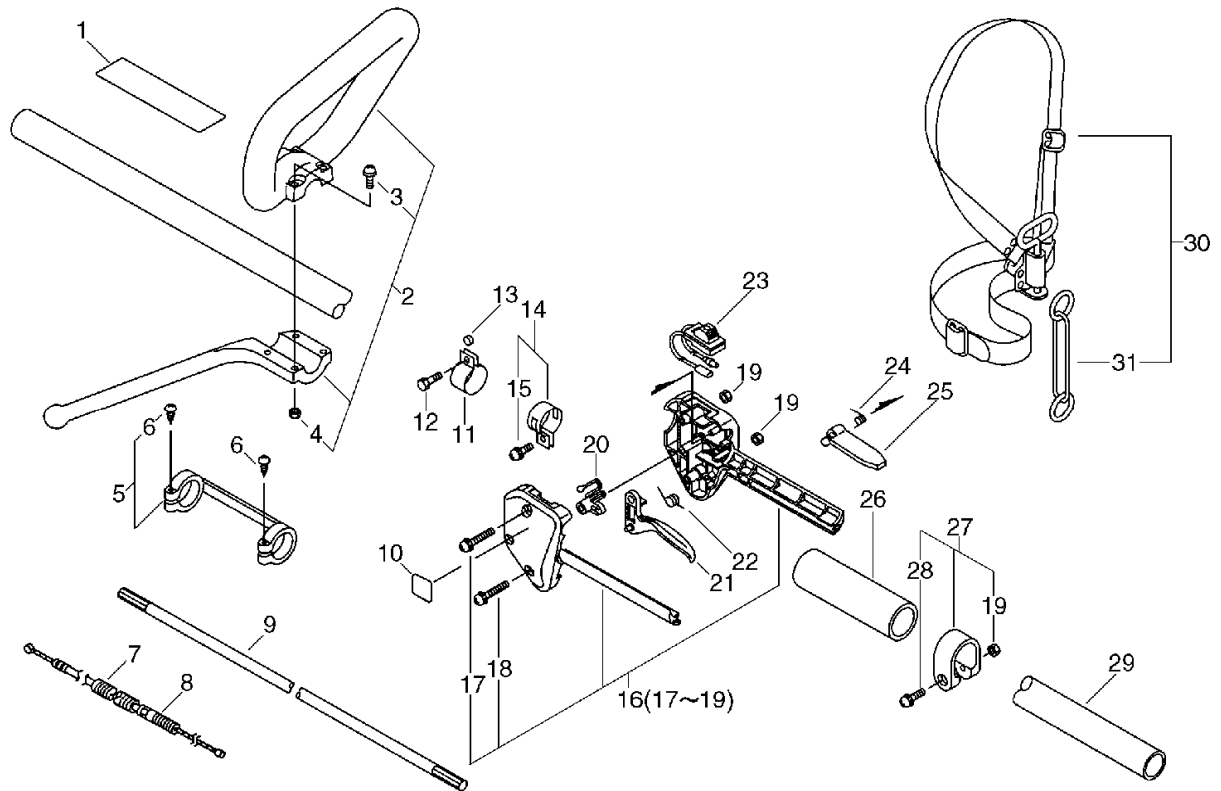
8. Gear Case(U-Handle Type), Blade No.8



KEY	LV	PART NUMBER	Q'TY	DESCRIPTION	REMARKS	NOTE1	NOTE2
21	+	900858-06900	1	BEARING, BALL 6900Z	6900Z		
22	+	900702-00022	1	CIRCLIP 22	CR-22		
23	+	900706-00010	1	CIRCLIP 10	WR-10		
26		898523-47130	1	SCABBARD, BLADE		Sus. by P021-007470	
26		P021-007470	1	SCABBARD, BLADE			
27		X405-000010	1	SAW, BUSH CUTTER	3*230*25.4*T2.0	Sus. by X405-000011	
27		X405-000011	1	SAW, BUSH CUTTER	3*230*25.4*T2.0		
24		696001-44731	1	BLADE, 8-CUTTER 9IN	230*8T*1.4 PD25	OPTION	
25		695001-44731	1	SAW, CIRCULAR 9*80T	230*80P*1.4 PD25	OPTION	
35		699200-56830	1	CAP ASSY, FREE		OPTION	
36	+	610313-56830	1	PLATE, ADAPTER (U)		OPTION	
37	+	699226-05430	1	HOLDER, BEARING		OPTION	
38	+	900814-06202	1	BEARING, BALL 6202	6202ZZ	OPTION	
39	+	699227-04630	1	NUT		OPTION	
40	+	699228-08930	1	PLATE, COVER		OPTION	
41	+	900141-05012	4	BOLT 5*12	5*12	OPTION	

9. Loop Handle

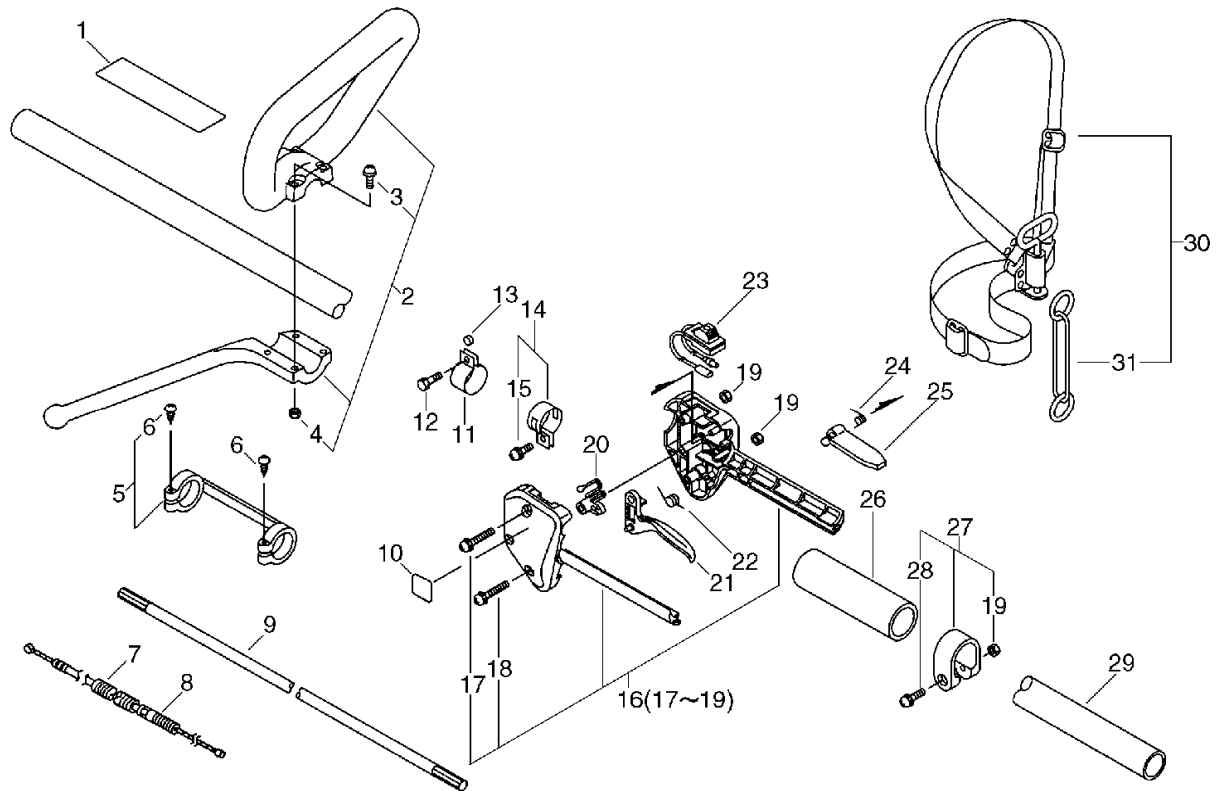
No.9



KEY	LV	PART NUMBER	Q'TY	DESCRIPTION	REMARKS	NOTE1	NOTE2
1		X505-000140	1	LABEL, CAUTION			
1		890617-43130	1	LABEL, CAUTION			Sus. by 890617-43130
2		351201-54130	1	HANDLE ASSY, LOOP			
3	+	900242-05035	4	SCREW 5*35	5*35		
4	+	900500-00005	4	NUT 5	5		
5		610281-54130	1	COLLER			
6	+	900253-04025	2	SCREW 4*25	4*25		
7		162110-56530	1	TUBE	7*175		
8		178001-56530	1	WIRE, THROTTLE	72*380L		
9		610011-25530	1	SHAFT, DRIVE			
10		890157-39130	1	LABEL, SWITCH			
11		301207-08930	1	HOOK			
12		900100-05018	1	BOLT 5*18	5*18		
13		699012-03330	1	SPACER			
14		301200-29430	1	BAND ASSY			
15	+	900242-05014	1	SCREW 5*14	5*14		
16		178003-52130	1	BRACKET SET, THROTTLE			
17	+	900242-05035	1	SCREW 5*35	5*35		
18	+	900242-05025	1	SCREW 5*25	5*25		
19	+	900500-00005	2	NUT 5	5		
20		178012-52630	1	LOCKOUT, THROTTLE			
21		178010-52130	1	CONTROL, THROTTLE			
22		178043-42230	1	SPRING, THR. RETURN			
23		163400-49330	1	SWITCH, IGNITION			
24		178013-52630	1	SPRING, THR. LOCK			

9. Loop Handle

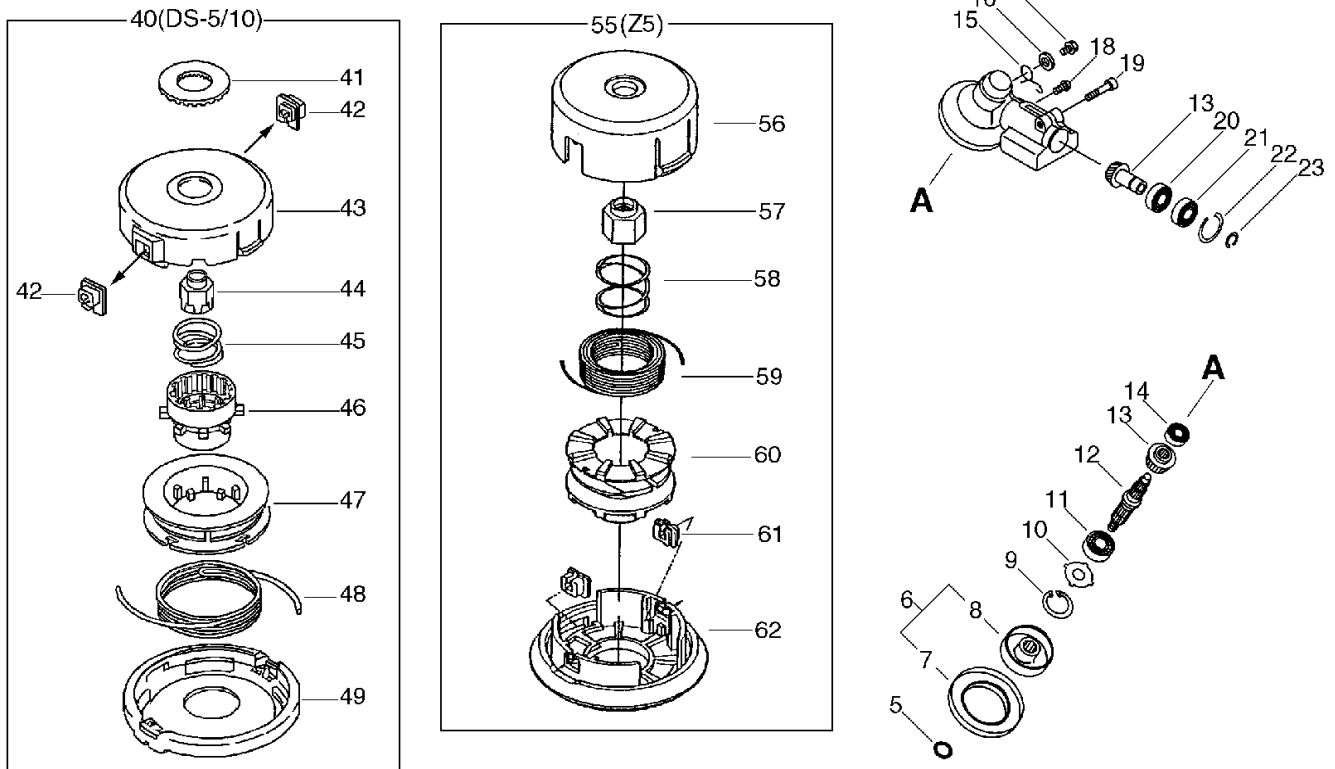
No.9



KEY	LV	PART NUMBER	Q'TY	DESCRIPTION	REMARKS	NOTE1	NOTE2
25		178090-52630	1	LOCKOUT, T. CONTROL		Sus. by 178090-52632	
25		178090-52631	1	LOCKOUT, T. CONTROL		Sus. by 178090-52632	
25		178090-52632	1	LOCKOUT, T. CONTROL			
26		351213-52130	1	GRIP		Sus. by C403-000140	
26		C403-000140	1	GRIP, HANDLE	L129.5*28		
27		610272-52130	1	BAND			
19	+	900500-00005	1	NUT 5	5		
28	+	900242-05028	1	SCREW 5*28	5*28		
29		610206-23030	1	HOUSING ASS'Y, D.SFT			
30		301000-55230	1	HARNESS ASSY		Sus. by 301000-55231	
30		301000-55231	1	HARNESS ASY, SHOULDER			
31	+	301305-24330	1	LINK			

10. Gear Case(Loop Handle Type), Nylon Line Cutting Head

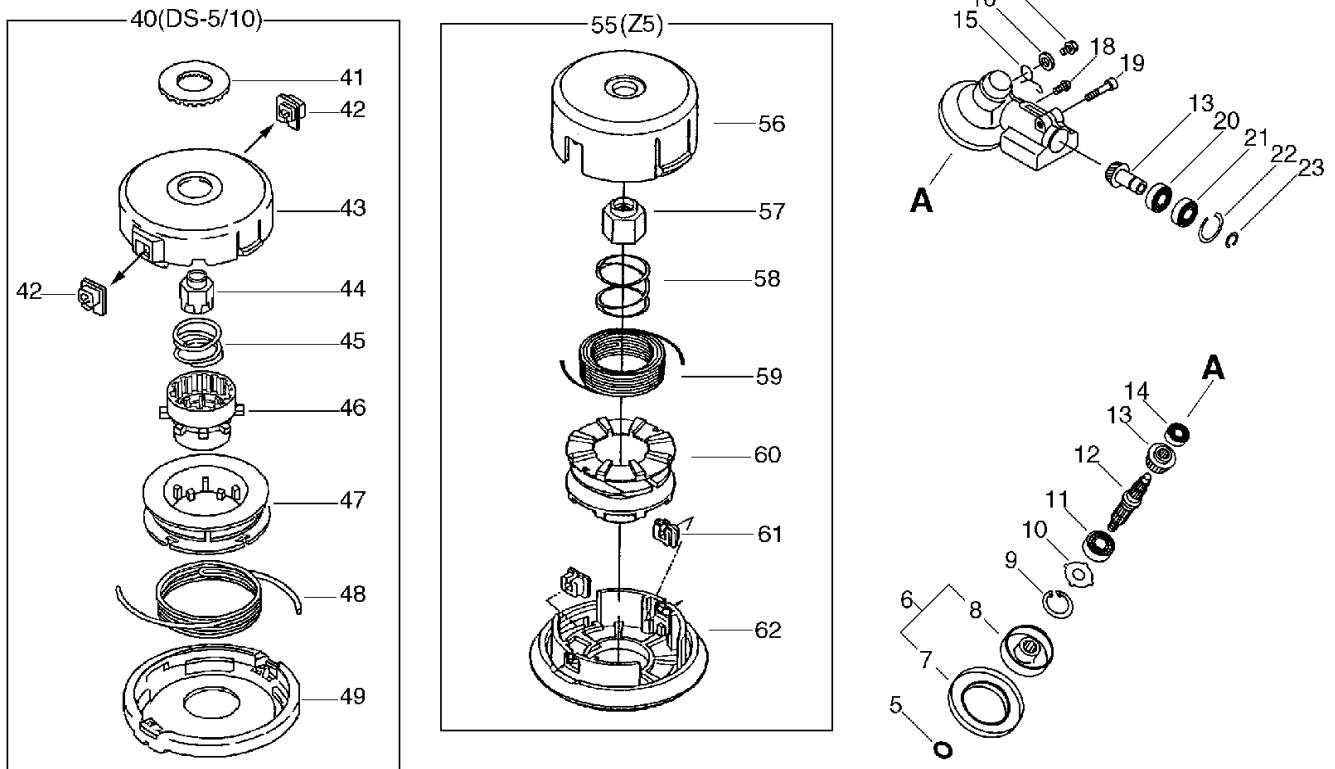
No.10



KEY	LV	PART NUMBER	Q'TY	DESCRIPTION	REMARKS	NOTE1	NOTE2
5		900720-00012	1	O-RING 12	P-12		
6		C535-000000	1	FIXTURE, BLADE		Sus. by C535-000001	
6		C535-000001	1	FIXTURE, BLADE			
7	+	610352-56830	1	PLATE, CUP			
8	+	C535-000010	1	FIXTURE, BLADE		Sus. by C535-000011	
8	+	C535-000011	1	FIXTURE, BLADE			
9		900702-00032	1	CIRCLIP 32	CR-32		
10		610444-56830	1	WASHER			
11		900812-06201	1	BEARING, BALL 6201	6201DDU(LLU)		
12		610310-56830	1	SHAFT, P.T.O.			
13		610300-25531	1	GEAR SET	7S		
14		900810-00626	1	BEARING, BALL 626	626		
15		610473-52131	1	SPRING			
16		900603-50008	1	WASHER	8.5*18*0.8T		
17		610434-50031	1	BOLT 8*8	M8*8		
18		900242-05010	1	SCREW 5*10	5*10		
19		900162-06025	1	BOLT, H.S. 6*25	6*25 W,SW		
20		900855-06900	1	BEARING, BALL 6900	6900		
21		900858-06900	1	BEARING, BALL 6900Z	6900Z		
22		900702-00022	1	CIRCLIP 22	CR-22		
23		900706-00010	1	CIRCLIP 10	WR-10		
40		X047-000070	1	CUTTER, ASM LINE	DS-5/10	Sus. by X047-000330	

10. Gear Case(Loop Handle Type), Nylon Line Cutting Head

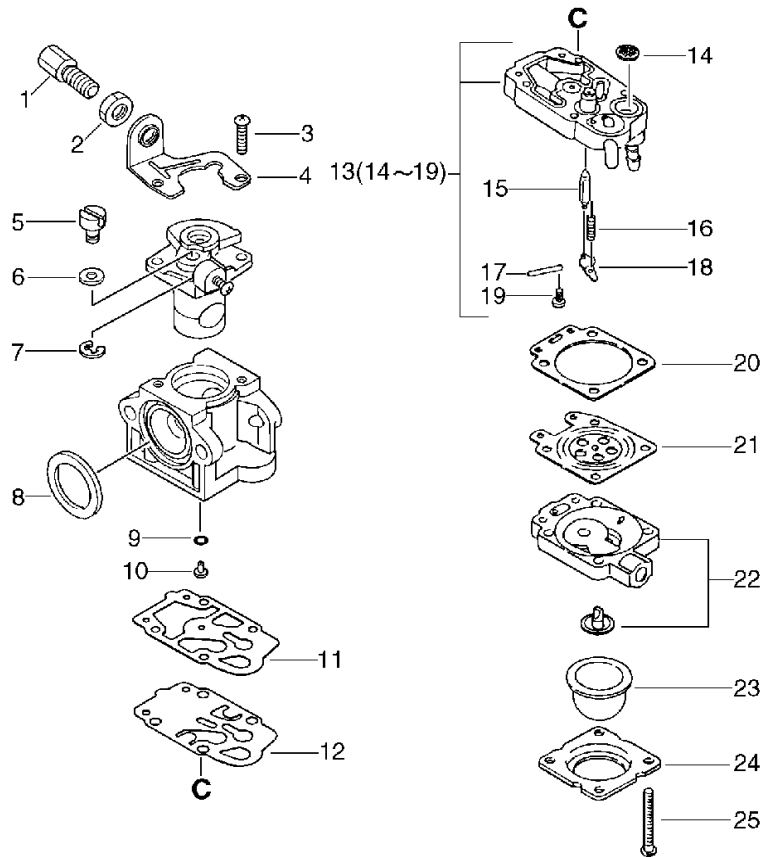
No.10



KEY	LV	PART NUMBER	Q'TY	DESCRIPTION	REMARKS	NOTE1	NOTE2
40		X047-000220	1	CUTTER,ASM LINE	DS-5 M10L	Sus. by X047-000330	
41	+	V332-000000	1	WASHER,CIRCULAR 24			
42	+	P022-000710	2	EYELET	T4		
43	+	X470-000000	1	DRUM,REEL			
44	+	P022-001160	1	NUT			
45	+	P022-001200	1	SPRING	DS-5/10		
46	+	P022-001310	1	TAP KNOB	DS-5/10		
47	+	P022-001180	1	BOBBIN	DS-5/10		
48	+	P022-000730	1	NYLON CODE	2.4*3M B4-K		
48	+	P022-006200	1	NYLON CODE	3.0*3M	Sus. by P022-006200	
49	+	P022-001190	1	COVER	DS-5/10	Sus. by P022-005030	
49	+	P022-005030	1	COVER			
55		X047-000330	1	CUTTER,ASM LINE	Z-5 M10 L	Z5	
56	+	P022-010420	1	HOUSING			
57	+	P022-010390	1	NUT			
58	+	P022-010370	1	SPRING			
59	+	P022-010380	1	NYLON CODE			
60	+	P022-010400	1	BOBBIN			
61	+	P022-000710	2	EYELET	T4		
62	+	P022-010410	1	COVER			

11. Carburetor

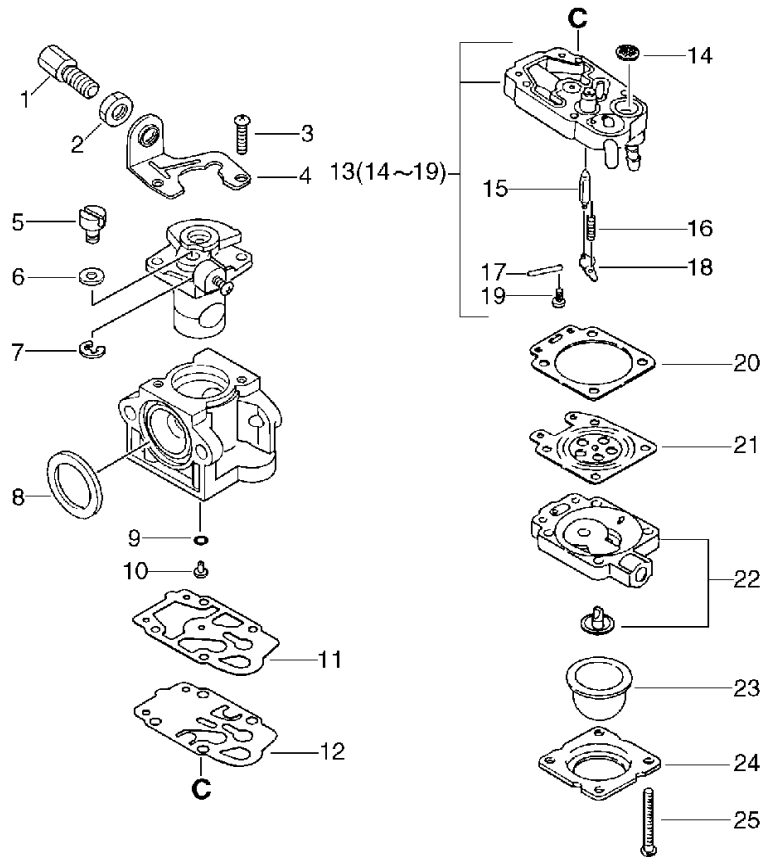
No.11



KEY	LV	PART NUMBER	Q'TY	DESCRIPTION	REMARKS	NOTE1	NOTE2
		123000-57730	1	CARBURETOR ASSY	WYJ-192	Sus. by 123000-57731	
		123000-57731	1	CARBURETOR	WYJ-192A		
1	+	123161-56431	1	SCREW, ADJUSTER			
2	+	123153-56430	1	NUT, ADJUSTER			
3	+	123114-40630	2	SCREW			
4	+	123128-54230	1	BRACKET, IDLE ADJUST			
5	+	123172-45130	1	SWIVEL			
6	+	123149-54230	1	WASHER			
7	+	123173-07930	1	CLIP			
8	+	123143-12110	1	RING, PACKING			
9	+	123183-40630	1	O-RING			
10	+	123184-57730	1	JET			
11	+	123125-40630	1	GASKET, PUMP			
12	+	123112-40630	1	DIAPHRAGM, PUMP			
13	+	123179-05560	1	BODY ASSY, PUMP			
14	++	123126-10631	1	SCREEN, INLET			
15	++	123137-19830	1	VALVE, INLET NEEDLE			
16	++	123122-05560	1	SPRING, METER. LEVER			
17	++	123138-03930	1	PIN, METERING LEVER			
18	++	123123-03930	1	LEVER, METERING			
19	++	123139-05560	1	SCREW, M. LEVER PIN			
20	+	123140-05560	1	GASKET, M. DIAPHRAGM			
21	+	123141-03930	1	DIAPHRAGM, METERING		Can be used on 123000-57730	

11. Carburetor

No.11



KEY	LV	PART NUMBER	Q'TY	DESCRIPTION	REMARKS	NOTE1	NOTE2
21	+	P003-000090	1	METERING, DIAPHRAGM		Can be used on 123000-57731	
22	+	123180-05560	1	BODY, AIR PURGE			
23	+	123181-40630	1	PUMP, PRIMER			
24	+	123142-05560	1	COVER, PRIMER PUMP			
25	+	123110-05560	4	SCREW, PUMP COVER			

12. Repair Kit

KEY	LV	PART NUMBER	Q'TY	DESCRIPTION	REMARKS	NOTE1	NOTE2
		P003-000220	1	DIAPHRAGM/GASKET KIT	WYJ-251		
	+	123125-40630	1	GASKET, PUMP			
	+	123112-40630	1	DIAPHRAGM, PUMP			
	+	123126-10631	1	SCREEN, INLET			
	+	123140-05560	1	GASKET, M. DIAPHRAGM			
	+	123141-03930	1	DIAPHRAGM, METERING			
	+	123140-02960	1	GASKET, M. DIAPHRAGM			
	+	123159-40630	1	GASKET, PLATE			
		P003-000190	1	REPAIR KIT	WYJ-250		
	+	123143-12110	1	RING, PACKING			
	+	123125-40630	1	GASKET, PUMP			
	+	123112-40630	1	DIAPHRAGM, PUMP			
	+	123126-10631	1	SCREEN, INLET			
	+	123137-19830	1	VALVE, INLET NEEDLE			
	+	123123-03930	1	LEVER, METERING			
	+	123140-05560	1	GASKET, M. DIAPHRAGM			
	+	123141-03930	1	DIAPHRAGM, METERING			
	+	123140-02960	1	GASKET, M. DIAPHRAGM			
	+	123159-40630	1	GASKET, PLATE			
	+	P003-000100	1	GASKET, PUMP			

Index

Patrs Number	Key No.	Patrs Number	Key No.	Patrs Number	Key No.
100013-56030	1 - 10	123143-12110	11 - 8	162010-56430	2 - 23
100014-55930	1 - 13	123143-12110	12 -	162014-52930	2 - 21
100015-04630	1 - 11	123149-54230	11 - 6	162110-56530	9 - 7
100100-56030	1 - 14	123153-56430	11 - 2	163400-49330	9 - 23
100100-56032	1 - 14	123159-40630	12 -	163401-43130	7 - 9
100142-12330	1 - 15	123159-40630	12 -	175005-55930	2 - 11
100204-56230	1 - 16	123161-56431	11 - 1	175009-55930	2 - 7
100204-56231	1 - 16	123172-45130	11 - 5	175009-55931	2 - 7
100204-56232	1 - 16	123173-07930	11 - 7	175018-05533	2 - 6
100212-28230	1 - 21	123179-05560	11 - 13	175046-56030	2 - 9
100213-05530	1 - 17	123180-05560	11 - 22	175048-05530	2 - 5
100215-03930	2 - 14	123181-40630	11 - 23	175049-56030	2 - 8
100242-55930	1 - 20	123183-40630	11 - 9	177214-02830	3 - 44
101010-56030	1 - 7	123184-57730	11 - 10	177218-40630	3 - 23
101034-56532	1 - 5	129011-57730	4 - 6	177226-10120	3 - 36
101503-56031	2 - 10	129011-57731	4 - 6	177227-42030	3 - 28
101538-28230	1 - 23	130010-13410	4 - 9	177228-27030	3 - 27
123000-57730	11 -	130010-55930	4 - 12	177234-40630	3 - 22
123000-57730	4 - 8	130017-56431	4 - 10	178001-56530	9 - 8
123000-57731	11 -	130307-57730	4 - 7	178003-52130	9 - 16
123000-57731	4 - 8	130310-51830	4 - 4	178010-52130	9 - 21
123110-05560	11 - 25	130313-57731	4 - 1	178012-52630	9 - 20
123112-40630	11 - 12	130406-52130	4 - 2	178013-52630	9 - 24
123112-40630	12 -	130406-52131	4 - 2	178043-42230	9 - 22
123112-40630	12 -	131004-55530	5 - 9	178090-52630	9 - 25
123114-40630	11 - 3	131005-56531	5 - 8	178090-52631	9 - 25
123122-05560	11 - 16	131005-56532	5 - 8	178090-52632	9 - 25
123123-03930	11 - 18	131016-55830	5 - 10	178111-06230	2 - 30
123123-03930	12 -	131051-56030	5 - 11	224924-52130	7 - 14
123125-40630	11 - 11	131205-19830	5 - 7	301000-55230	9 - 30
123125-40630	12 -	131300-56430	5 - 1	301000-55231	9 - 30
123125-40630	12 -	132010-52030	5 - 4	301001-56831	7 - 30
123126-10631	11 - 14	132013-26630	5 - 2	301015-05330	7 - 16
123126-10631	12 -	132115-55930	5 - 6	301200-21330	7 - 15
123126-10631	12 -	145510-55932	4 - 14	301200-29430	9 - 14
123128-54230	11 - 4	145621-57731	4 - 22	301205-21330	7 - 17
123137-19830	11 - 15	145802-65831	4 - 13	301207-08930	9 - 11
123137-19830	12 -	145818-52130	4 - 17	301305-24330	9 - 31
123138-03930	11 - 17	145866-42031	4 - 15	305110-57732	5 - 14
123139-05560	11 - 19	145876-42030	4 - 16	305110-57733	5 - 14
123140-02960	12 -	152626-56032	2 - 25	351201-54130	9 - 2
123140-02960	12 -	152801-55930	2 - 1	351213-52130	9 - 26
123140-05560	11 - 20	156112-40630	2 - 26	437215-20760	5 - 5
123140-05560	12 -	159010-10230	2 - 29	437217-20760	5 - 3
123140-05560	12 -	159011-03432	2 - 28	605014-54230	7 - 23
123141-03930	11 - 21	159012-03433	2 - 27	610011-25530	7 - 29
123141-03930	12 -	159112-09960	7 - 13	610011-25530	9 - 9
123141-03930	12 -	159112-09961	7 - 13	610206-23030	7 - 28
123142-05560	11 - 24	159905-55930	1 - 3	610206-23030	9 - 29

Index

Patrs Number	Key No.	Patrs Number	Key No.	Patrs Number	Key No.
610272-52130	9 - 27	900162-05022	1 - 6	900702-00032	8 - 9
610281-54130	9 - 5	900162-05022	2 - 24	900702-00042	2 - 20
610300-25531	10 - 13	900162-05022	5 - 15	900706-00010	10 - 23
610300-25531	8 - 13	900162-05025	1 - 22	900706-00010	8 - 23
610310-56830	10 - 12	900162-05025	4 - 11	900720-00012	10 - 5
610310-56830	8 - 12	900162-05025	6 - 23	900720-00012	8 - 5
610313-56830	8 - 36	900162-05028	2 - 19	900800-36001	1 - 18
610314-52130	8 - 4	900162-05030	7 - 21	900807-06000	2 - 13
610320-52130	8 - 2	900162-06025	10 - 19	900810-00626	10 - 14
610352-56830	10 - 7	900162-06025	8 - 19	900810-00626	8 - 14
610352-56830	8 - 7	900220-05030	7 - 3	900812-06201	10 - 11
610400-52131	8 - 1	900238-04010	4 - 18	900812-06201	8 - 11
610400-52132	8 - 1	900239-05016	5 - 12	900814-06202	8 - 38
610434-50031	10 - 17	900242-05010	10 - 18	900855-06900	10 - 20
610434-50031	8 - 17	900242-05010	2 - 22	900855-06900	8 - 20
610444-56830	10 - 10	900242-05010	8 - 18	900858-06900	10 - 21
610444-56830	8 - 10	900242-05014	9 - 15	900858-06900	8 - 21
610473-52131	10 - 15	900242-05018	6 - 17	A051-000054	3 - 26
610473-52131	8 - 15	900242-05025	9 - 18	A051-000055	3 - 26
610922-55931	2 - 18	900242-05028	9 - 28	A051-000056	3 - 26
695001-44731	8 - 25	900242-05035	9 - 3	A051-000057	3 - 26
696001-44731	8 - 24	900242-05035	9 - 17	A052-000030	3 - 20
699012-03330	9 - 13	900242-05055	4 - 5	A053-000030	3 - 39
699013-56830	6 - 22	900244-05020	5 - 13	A053-000031	3 - 39
699200-56830	8 - 35	900252-05012	6 - 13	A101-000010	1 - 9
699226-05430	8 - 37	900253-04016	7 - 2	A160-000220	1 - 4
699227-04630	8 - 39	900253-04025	9 - 6	A503-000010	3 - 29
699228-08930	8 - 40	900253-05020	3 - 25	A504-000000	3 - 31
699229-56830	8 - 3	900500-00005	7 - 4	A504-000001	3 - 31
890157-39130	9 - 10	900500-00005	9 - 4	A506-000010	3 - 35
890332-52730	4 - 3	900500-00005	9 - 19	A514-000010	3 - 37
890617-43130	7 - 27	900500-00005	9 - 19	A520-000022	3 - 43
890617-43130	9 - 1	900502-00008	2 - 4	A520-000023	3 - 43
895112-00330	6 - 2	900502-00008	3 - 24	C062-000180	7 - 30
895410-08030	6 - 3	900565-00005	3 - 49	C062-000181	7 - 30
895610-00130	6 - 1	900565-00005	6 - 16	C400-000000	7 - 25
897518-01131	6 - 4	900565-50008	7 - 20	C403-000030	7 - 26
898510-39130	6 - 6	900600-00005	4 - 19	C403-000031	7 - 26
898523-47130	8 - 26	900600-00008	2 - 2	C403-000140	9 - 26
899580-68730	6 - 5	900603-50008	10 - 16	C450-000020	7 - 7
900100-05018	9 - 12	900603-50008	8 - 16	C450-000021	7 - 7
900105-05012	3 - 45	900605-00008	2 - 3	C450-000022	7 - 7
900105-05012	7 - 18	900700-00004	3 - 21	C460-000010	7 - 5
900105-05055	4 - 20	900701-00010	2 - 15	C460-000011	7 - 5
900106-05020	1 - 1	900702-00022	10 - 22	C535-000000	10 - 6
900141-05012	8 - 41	900702-00022	8 - 22	C535-000000	8 - 6
900162-04014	3 - 48	900702-00026	2 - 12	C535-000001	10 - 6
900162-05012	4 - 21	900702-00028	1 - 19	C535-000001	8 - 6
900162-05018	2 - 16	900702-00032	10 - 9	C535-000010	10 - 8

Index

Patrs Number	Key No.	Patrs Number	Key No.	Patrs Number	Key No.
C535-000010	8 - 8	V553-000020	1 - 12		
C535-000011	10 - 8	V641-000040	3 - 33		
C535-000011	8 - 8	X047-000070	10 - 40		
C550-000080	6 - 11	X047-000220	10 - 40		
C550-000090	6 - 21	X047-000330	10 - 55		
C550-000100	6 - 20	X405-000010	8 - 27		
C554-000000	6 - 12	X405-000011	8 - 27		
P003-000090	11 - 21	X470-000000	10 - 43		
P003-000100	12 -	X502-000030	3 - 50		
P003-000190	12 -	X502-000031	3 - 50		
P003-000220	12 -	X502-000032	3 - 50		
P021-000371	1 - 8	X503-002250	2 - 17		
P021-002421	3 - 40	X505-000140	9 - 1		
P021-002422	3 - 40	X505-000620	3 - 51		
P021-002610	7 - 1	X602-000020	6 - 3		
P021-002620	6 - 10				
P021-002750	7 - 19				
P021-002751	7 - 19				
P021-002861	6 - 5				
P021-004020	3 - 40				
P021-007470	8 - 26				
P022-000710	10 - 42				
P022-000710	10 - 61				
P022-000730	10 - 48				
P022-001160	10 - 44				
P022-001180	10 - 47				
P022-001190	10 - 49				
P022-001200	10 - 45				
P022-001310	10 - 46				
P022-005030	10 - 49				
P022-006200	10 - 48				
P022-010370	10 - 58				
P022-010380	10 - 59				
P022-010390	10 - 57				
P022-010400	10 - 60				
P022-010410	10 - 62				
P022-010420	10 - 56				
V253-000060	3 - 45				
V299-000110	7 - 24				
V332-000000	10 - 41				
V353-000020	1 - 2				
V355-000080	3 - 32				
V376-000190	3 - 47				
V430-000361	7 - 11				
V430-000362	7 - 11				
V450-000130	3 - 38				
V452-000050	7 - 6				
V452-000060	7 - 8				
V475-000000	7 - 12				

YAMABIKO CORPORATION

7-2 SUEHIROCHO 1-CHOME, OHME, TOKYO 198-8760, JAPAN
PHONE: 81-428-32-6118. FAX: 81-428-32-6145.

ECHO®



655S
No.