



# **PARTS CATALOG**

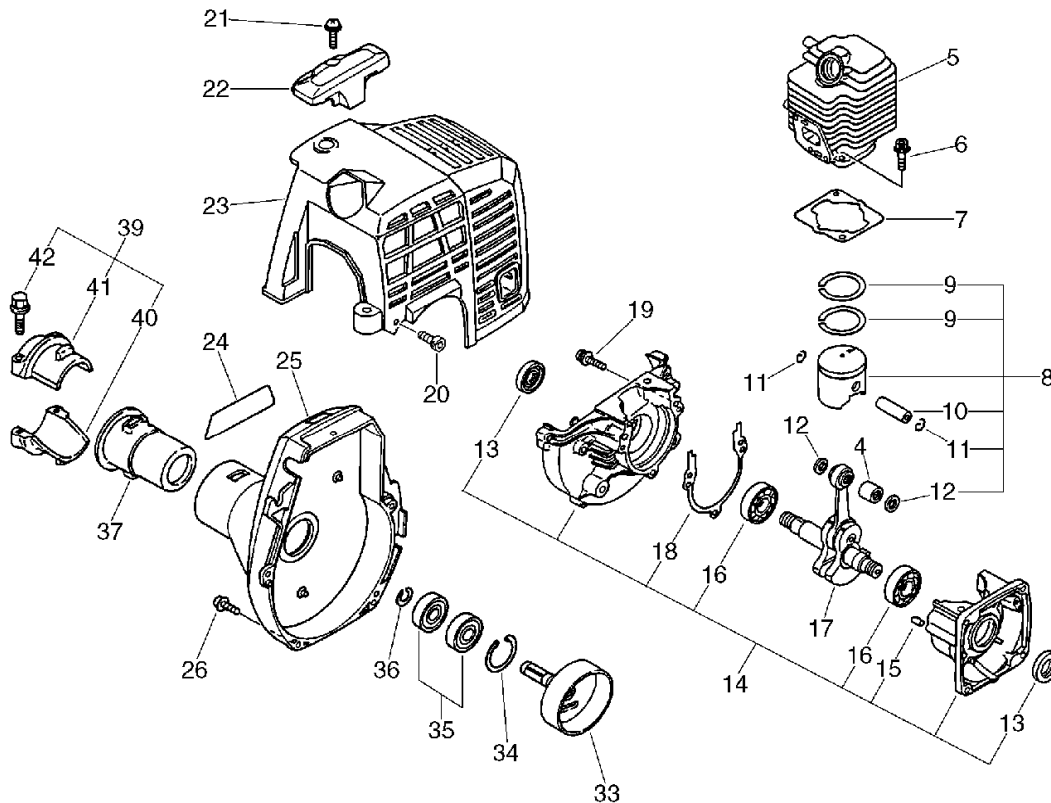
## **GRASS-TRIMMER / BRUSHCUTTER**

**SRM-2100SB**

SRM-2100SB

# 1. Cylinder, Crankcase, Piston, Fan Cover

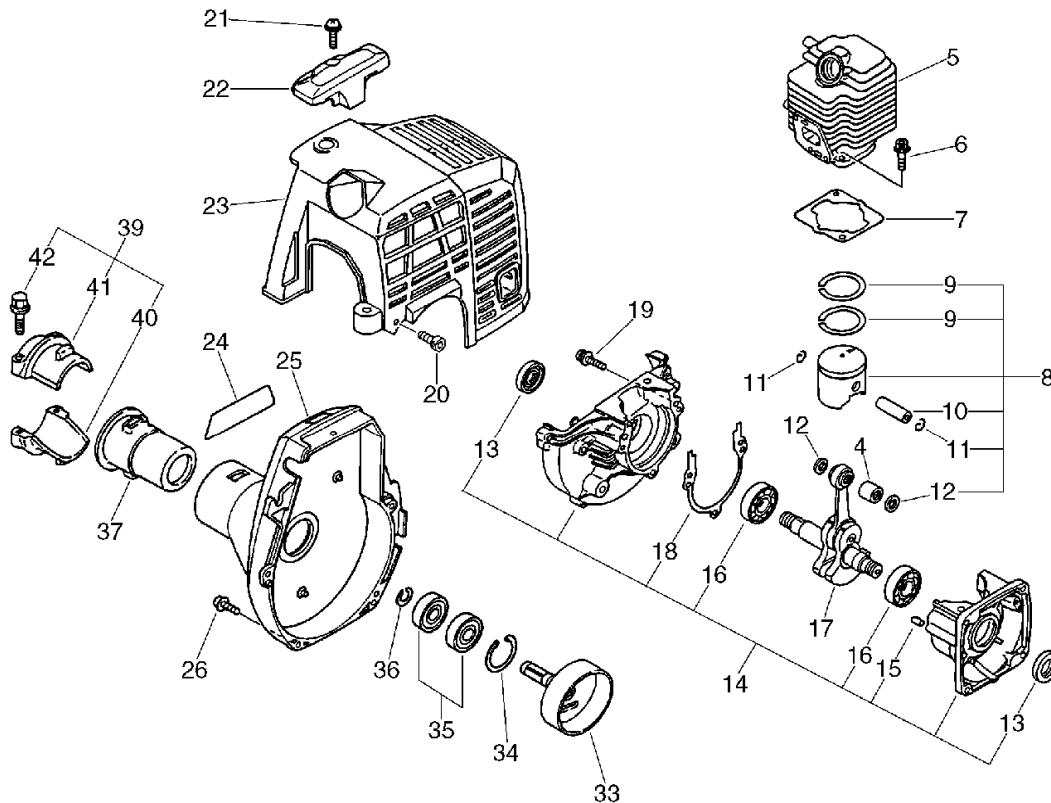
No.1



KEY	LV	PART NUMBER	Q'TY	DESCRIPTION	REMARKS	NOTE1	NOTE2
5		101011-06562	1	CYLINDER		Sr/Nr 300600 and before	
5		A130-000010	1	CYLINDER		Sus. by A130-000021	
5		A130-000011	1	CYLINDER		Sus. by A130-000021	
5		A130-000021	1	CYLINDER		Sr/Nr 300601 and after	
6		900162-05022	2	BOLT, H.S. 5*22	5*22 W,SW		
7		101010-44332	1	GASKET, CYL. BASE			
8		100000-48732	1	PISTON KIT		Sr/Nr 300600 and before	
8		P021-001100	1	PISTON KIT		Sus. by P021-001102	
8		P021-001101	1	PISTON KIT		Sus. by P021-001102	
8		P021-001102	1	PISTON KIT		Sr/Nr 300601 and after	
9	+	100011-05330	2	RING, PISTON		Sr/Nr 300600 and before	
9	+	A101-000000	2	RING,PISTON		Sr/Nr 300601 and after	
10	+	100013-11520	1	PIN, PISTON			
11	+	100015-04630	2	CIRCLIP, PISTON PIN			
12	+	100014-11520	2	SPACER, PISTON PIN			

# 1. Cylinder, Crankcase, Piston, Fan Cover

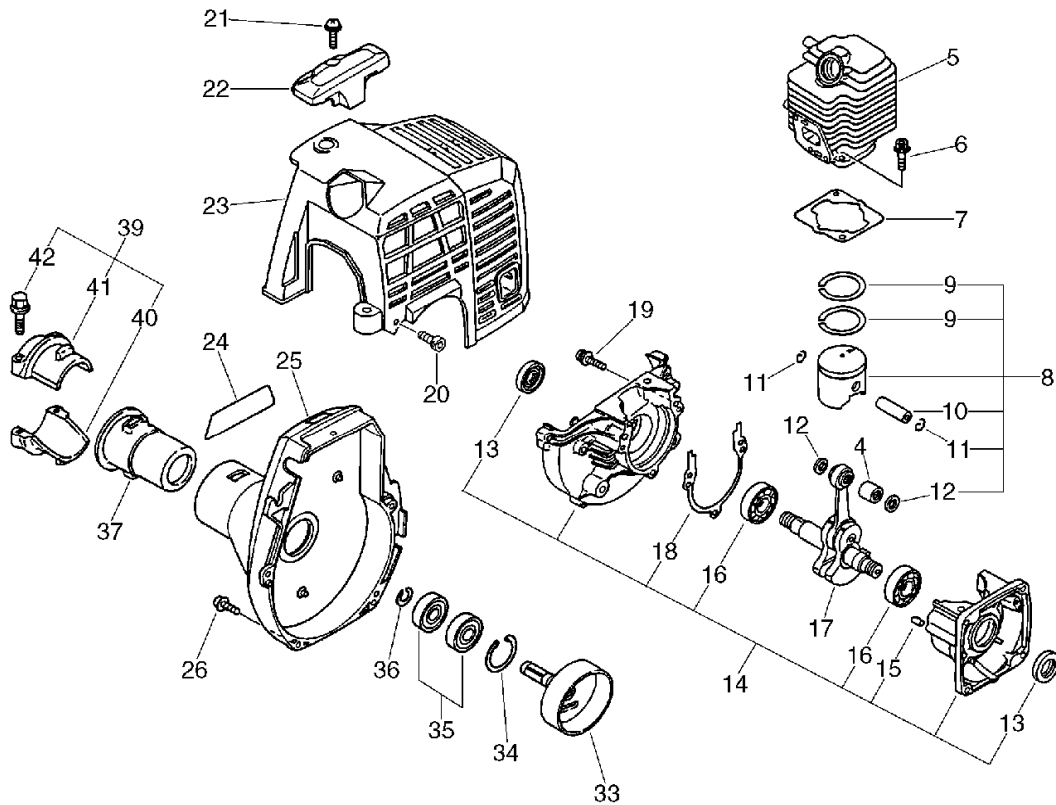
No.1



KEY	LV	PART NUMBER	Q'TY	DESCRIPTION	REMARKS	NOTE1	NOTE2
14		100204-52130	1	CRANKCASE KIT		Sus. by 100204-52132	
14		100204-52131	1	CRANKCASE KIT		Sus. by 100204-52132	
14		100204-52132	1	CRANKCASE KIT			
13	+	100212-42030	2	OILSEAL	ISCD12*22*4.5	Sus. by 100212-42031	
13	+	100212-42031	2	OILSEAL	ISCD 12*22*4.5	Sus. by V622-000020	
13	+	V622-000020	2	PIN, STRAIGHT 4	4*7.8		
15	+	100215-03930	2	PIN, DOWEL			
16	+	900810-36201	2	BEARING, BALL 6201	6201/C3	Sus. by 94035-36201	
16	+	94035-36201	2	BEARING BALL	6201X3JR2C3		
18	+	100242-42030	1	GASKET, CRANKCASE			
19	+	900162-05028	3	BOLT, H.S. 5*28	5*28 W,SW		
17		100100-44732	1	CRANKSHAFT ASSY		Sr/Nr 300600 and before	
17		A011-000000	1	CRANKSHAFT,ASM		Sus. by A011-000002	
17		A011-000001	1	CRANKSHAFT,ASM		Sus. by A011-000002	
17		A011-000002	1	CRANKSHAFT,ASM		Sr/Nr 300601 and after	
4	+	100012-51230	1	BEARING, NEEDLE	8*12*10	Sus. by V553-000010	

# 1. Cylinder, Crankcase, Piston, Fan Cover

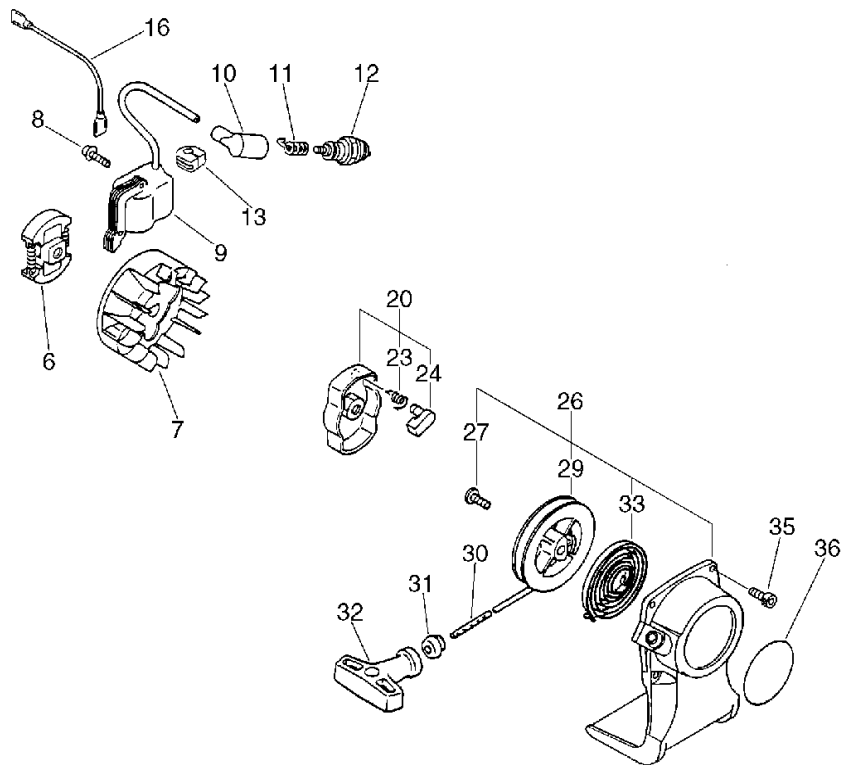
No.1



KEY	LV	PART NUMBER	Q'TY	DESCRIPTION	REMARKS	NOTE1	NOTE2
4	+	V553-000010	1	BEARING,NEEDLE 8	HK0810		
20		900162-04016	2	BOLT, H.S. 4*16	4*16 W,SW	Sus. by 900238-04016	
20		900238-04016	2	SCREW 4*16	4*16		
21		900238-05016	1	SCREW 5*16	5*16		
22		159912-54130	1	GUARD, TOP			
23		101514-48930	1	COVER, CYLINDER			
24		890112-56730	1	LABEL, MODEL			
25		101503-52131	1	COVER ASSY, FAN			
26		900162-04016	4	BOLT, H.S. 4*16	4*16 W,SW	Sus. by 900238-04016	
26		900238-04016	4	SCREW 4*16	4*16		
33		175005-48931	1	DRUM, CLUTCH			
34		900702-00028	1	CIRCLIP 28	CR-28		
35		900807-96001	2	BEARING, BALL 6001	6001		
36		900701-00012	1	CIRCLIP 12	CS-12		
37		610910-55230	1	CUSHION			
39		610903-55230	1	HOLDER KIT			
40	+	610923-55230	1	HOLDER			
41	+	610922-27432	1	HOLDER			
42	+	900142-05025	2	BOLT 5*25 (W/W,SW)	5*25		

## 2. Starter, Magneto, Clutch

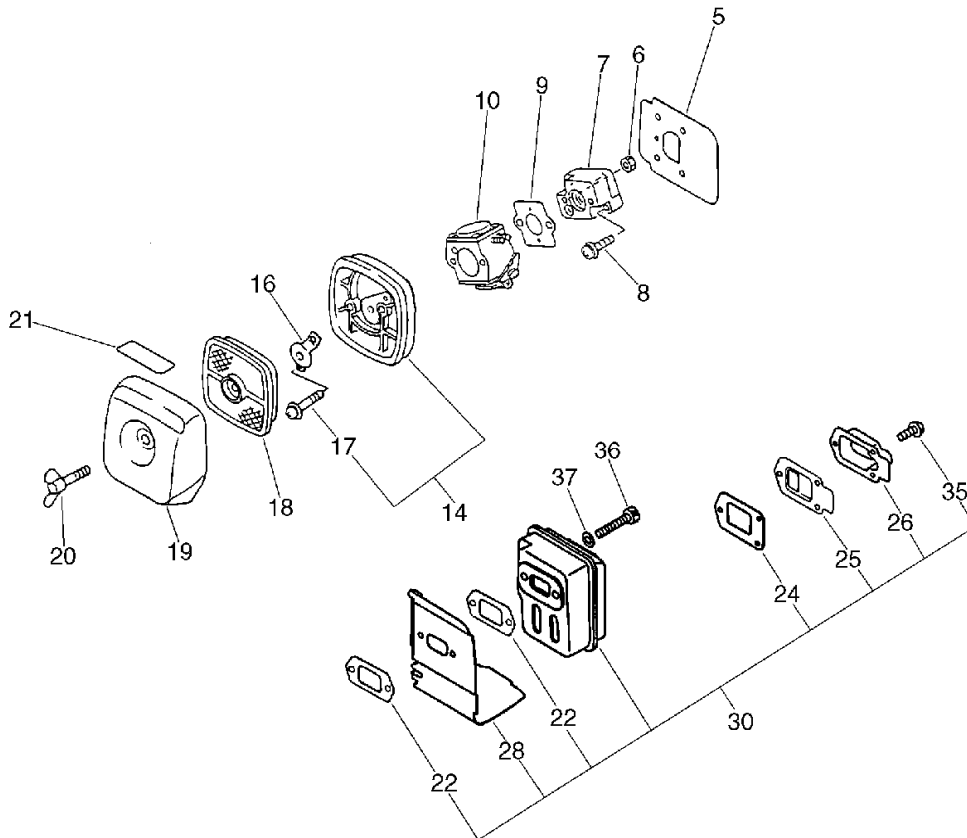
No.2



KEY	LV	PART NUMBER	Q'TY	DESCRIPTION	REMARKS	NOTE1	NOTE2
6		175000-56830	1	CLUTCH ASSY			
7		156801-09660	1	FLYWHEEL			
8		900162-04022	2	BOLT, H.S. 4*22	4*22 W,SW		
9		156626-52730	1	COIL, IGNITION			
10		159012-03433	1	CAP, SPARK PLUG			
11		159011-03432	1	COIL, SPARK PLUG			
12		159017-10230	1	PLUG, SPARK (RCJ-7Y)	RCJ-7Y		
13		156112-40630	1	GROMMET			
16		162010-52830	1	LEAD, GROUND			
20		177202-44330	1	PAWL ASSY, STARTER			
20		177202-44331	1	PAWL ASM., STARTER			
23	+	177234-42030	1	SPRING, RETURN		Sus. by 177234-12220	
23	+	177234-12220	1	SPRING, PAWL			
24	+	177218-44330	1	PAWL, STARTER	BLACK		
26		177200-54130	1	STARTER ASSY			
27	+	177236-44330	1	SCREW			
29	+	177215-44430	1	DRUM, STARTER			
30	+	177226-10120	1	ROPE, STARTER	3.0*1000		
31	+	177227-42030	1	GUIDE, ROPE			
32	+	177228-06530	1	GRIP, STARTER			
33	+	177220-42030	1	SPRING, REWIND			
35		900162-04016	2	BOLT, H.S. 4*16	4*16 W,SW	Sus. by 900238-04016	
35		900238-04016	2	SCREW 4*16	4*16		
36		890118-49130	1	LABEL, ECHO			

### 3. Air Cleaner, Muffler

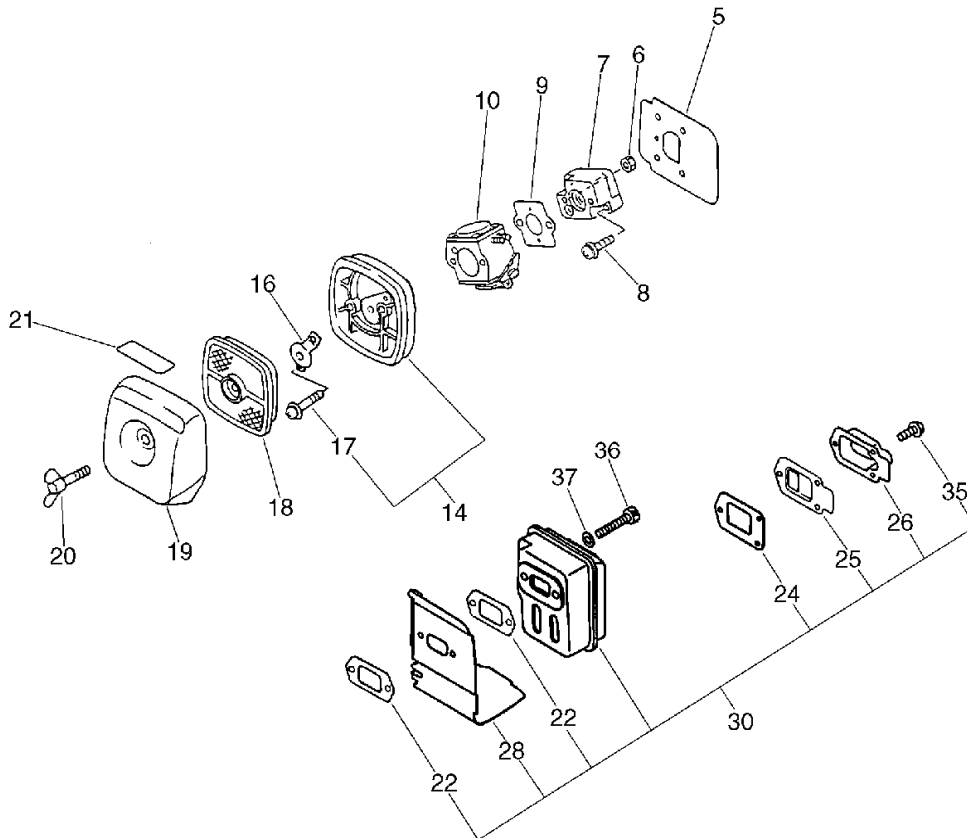
No.3



KEY	LV	PART NUMBER	Q'TY	DESCRIPTION	REMARKS	NOTE1	NOTE2
5		130010-42032	1	GASKET,INTAKE			
6		900500-00005	2	NUT 5	5		
7		130017-42031	1	INSULATOR, INTAKE			
8		900238-05020	2	SCREW 5*20	5*20		
9		V103-000110	1	GASKET,INTAKE		Sus. by 130016-42031	
9		130016-42031	1	GASKET, INTAKE			
10		125200-13311	1	CARBURETOR C1U-K52	C1U-K52	Sus. by 125200-13314	
10		125200-13312	1	CARBURETOR	C1U-K52	Sus. by 125200-13314	
10		125200-13313	1	CARBURETOR	C1U-K52	Sus. by 125200-13314	
10		125200-13314	1	CARBURETOR	C1U-K52		
14		130307-06561	1	CASE, AIR CLEANER		Sus. by P021-002921	
14		P021-002921	1	CASE, AIR CLEANER			
17	+	900242-05065	2	SCREW 5*65	5*65		
16		129011-52730	1	PLATE, PREVENT			
18		130310-54130	1	FILTER, AIR			
19		130313-06563	1	LID, AIR CLEANER			
20		210417-52730	1	BOLT, WING	5*20		
21		890121-05360	1	LABEL, METERING			
30		145802-54130	1	MUFFLER ASSY		Sr/Nr 300600 and before	

### 3. Air Cleaner, Muffler

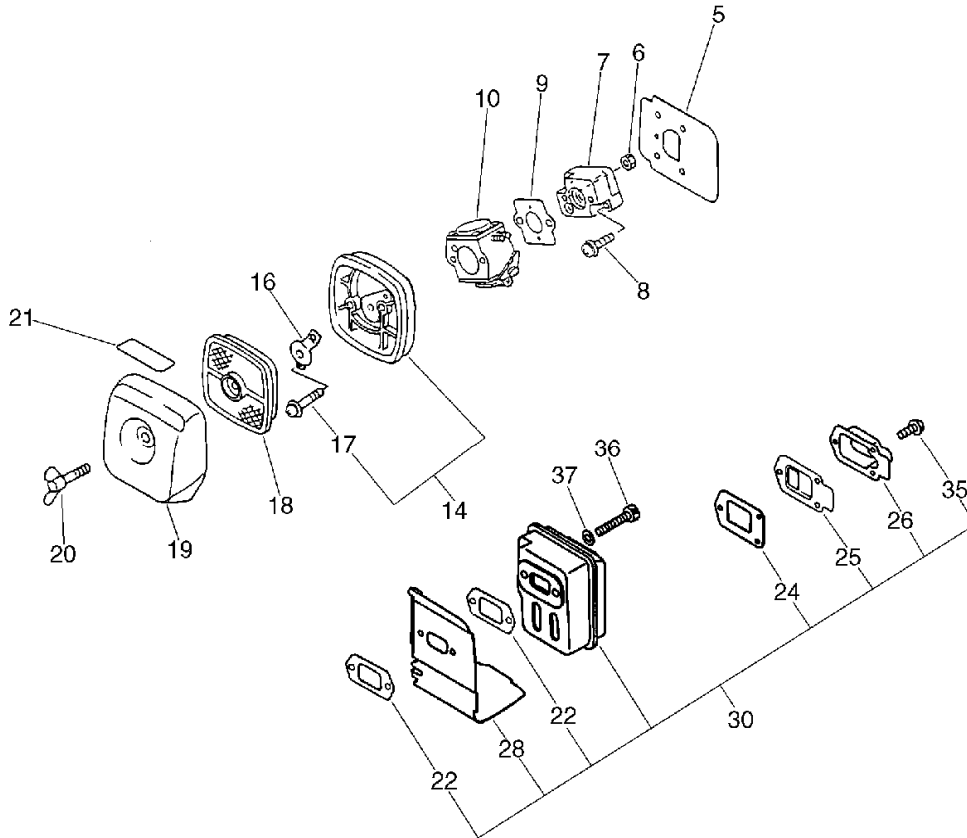
No.3



KEY	LV	PART NUMBER	Q'TY	DESCRIPTION	REMARKS	NOTE1	NOTE2
30		P021-001380	1	MUFFLER ASY		Sus. by P021-001384	
30		P021-001381	1	MUFFLER ASY		Sus. by P021-001384	
30		P021-001382	1	MUFFLER ASY		Sus. by P021-001384	
30		P021-001383	1	MUFFLER ASY		Sus. by P021-001384	
30		P021-001384	1	MUFFLER ASY		Sr/Nr 300601 and after	
22	+	145510-42031	2	GASKET, MUFFLER		Sus. by V104-000160	
22	+	V104-000160	2	GASKET, EXHAUST			
24	+	145866-42031	1	GASKET, MUFFLER LID		Sr/Nr 300600 and before	
24	+	V104-000001	1	GASKET, EXHAUST		Sus. by V104-000003	
24	+	V104-000002	1	GASKET, EXHAUST		Sus. by V104-000003	
24	+	V104-000003	1	GASKET, EXHAUST		Sr/Nr 300601 and after	
25	+	145876-42030	1	LID, MUFFLER (B)			
26	+	145863-54130	1	FIXTURE, SCREEN		Sr/Nr 300600 and before	
26	+	A313-000000	1	GUIDE, EXH		Sr/Nr 300601 and after	

### 3. Air Cleaner, Muffler

No.3

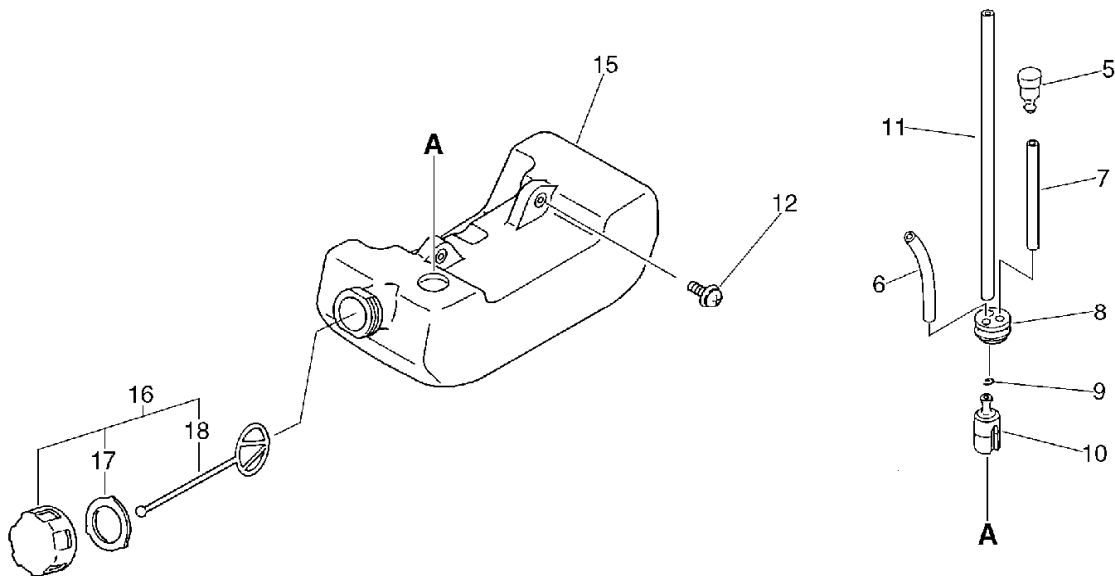


KEY	LV	PART NUMBER	Q'TY	DESCRIPTION	REMARKS	NOTE1	NOTE2
28	+	145871-44331	1	COVER, MUFFLER		Sus. by A320-000251	
28	+	145631-42030	1	COVER, MUFFLER		Sus. by A320-000251	
28	+	A320-000250	1	COVER, MUFFLER		Sus. by A320-000251	
28	+	A320-000251	1	COVER, MUFFLER			
35	+	900238-04010	3	SCREW 4*10	4*10		
36		900105-05055	2	BOLT, H.S. 5*55	5*55		
37		900600-00005	2	WASHER 5	5		



## 4. Fuel Tank

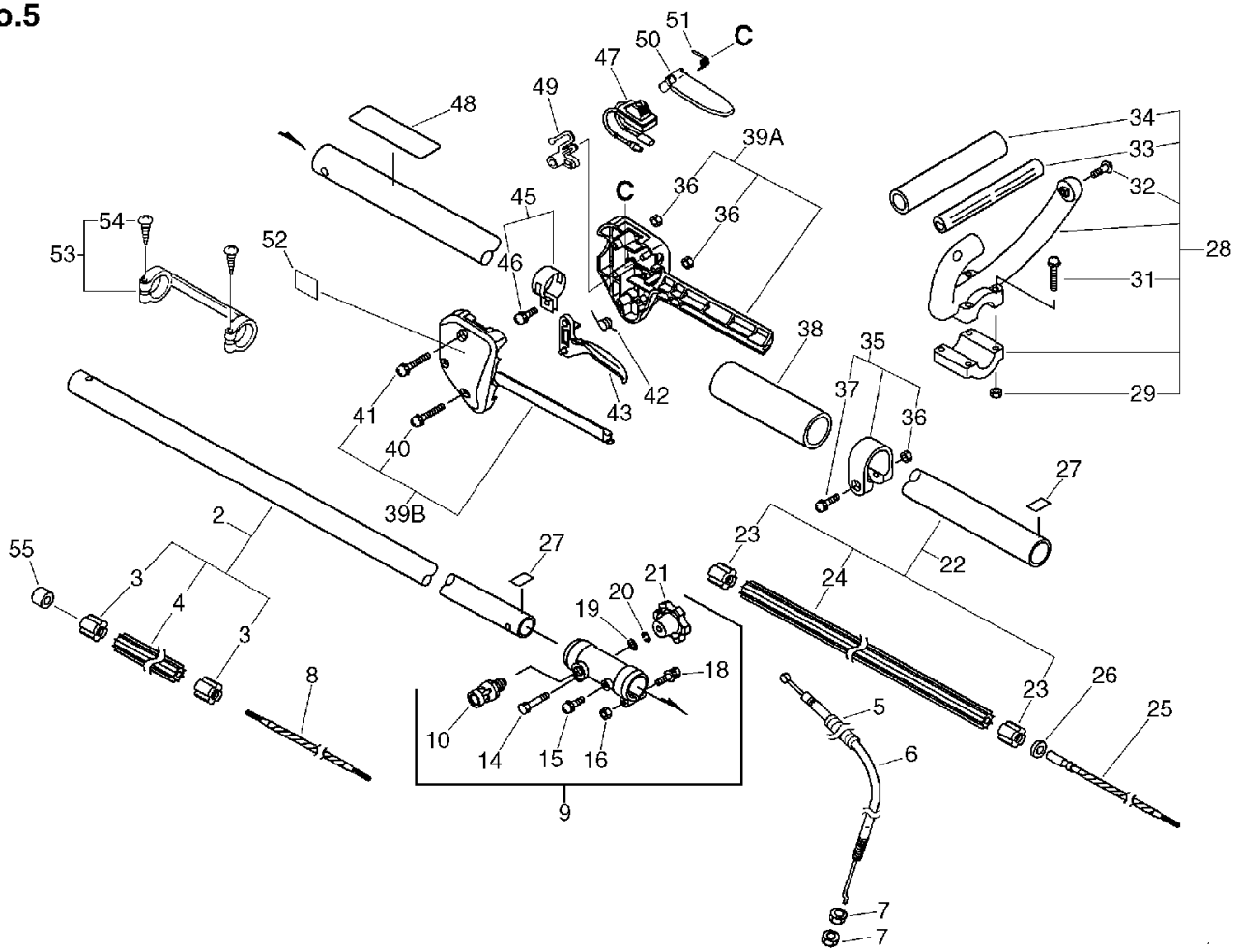
No.4



KEY	LV	PART NUMBER	Q'TY	DESCRIPTION	REMARKS	NOTE1	NOTE2
5		131300-56430	1	VALVE, CHECK			
6		132010-56330	1	PIPE 3*6*90	3*6*90 YL		
7		131312-39130	1	PIPE	3*5*70(+3)NBR	Sus. by V471-001200	
7		V471-001200	1	PIPE	3*5*70 NBR		
8		132115-46730	1	GROMMET, FUEL			
9		132013-09820	1	CLIP	6MM		
10		131205-07320	1	STRAINER, FUEL			
11		132010-13930	1	PIPE, FUEL	3*5*180L NBR	Sus. by V471-001190	
11		V471-001190	1	PIPE	3*5*180 NBR		
12		900238-05016	2	SCREW 5*16	5*16	Sus. by 900243-05016	
12		900243-05016	2	SCREW 5*16	5*16		
15		131005-46830	1	TANK, FUEL		Sus. by 131005-46831	
15		131005-46831	1	TANK, FUEL			
16		131004-08960	1	CAP ASSY, FUEL			
17	+	131016-55830	1	GASKET, FUEL CAP			
18	+	131051-52430	1	CONNECTOR, CAP	80L		

## 5. Handle

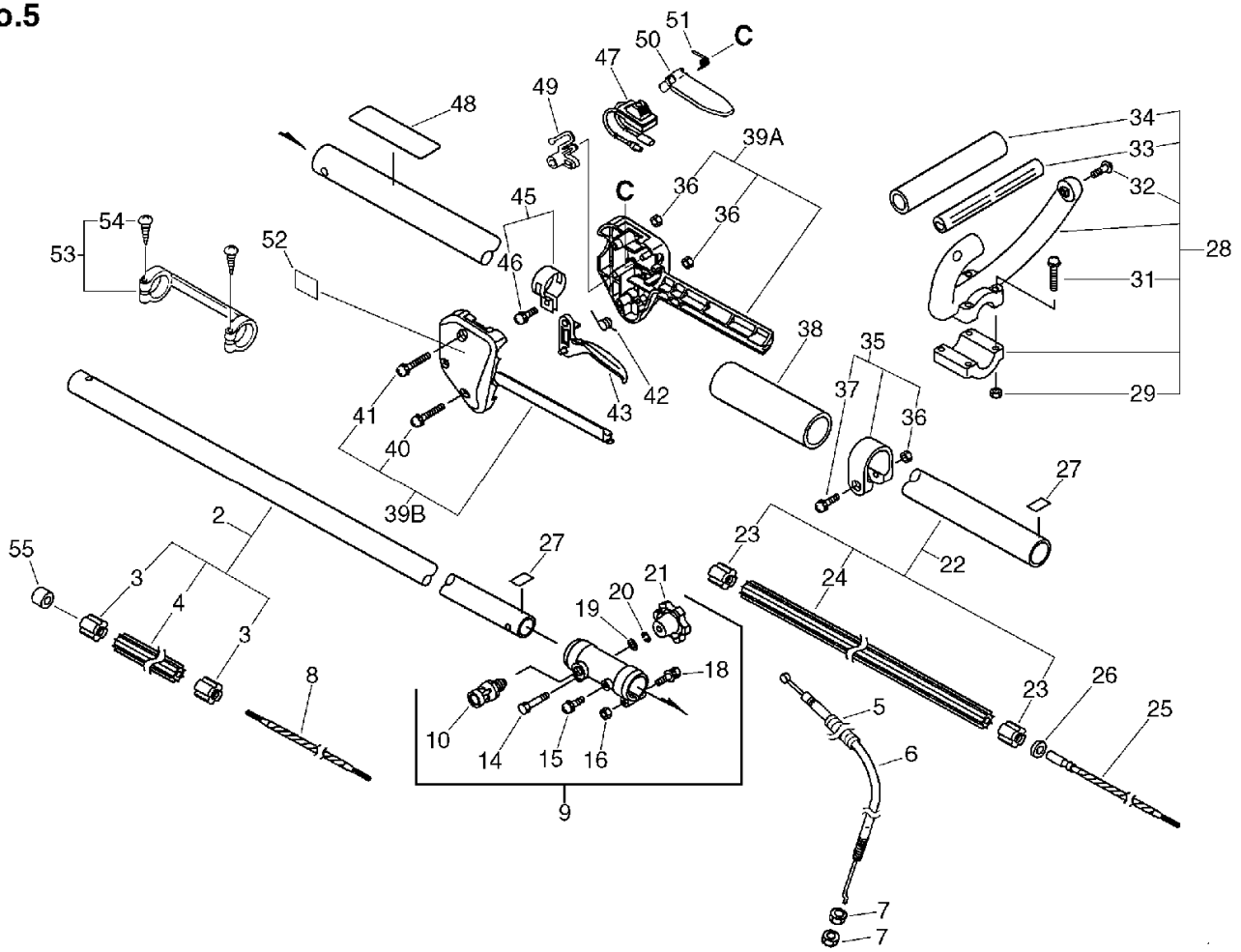
## No.5



KEY	LV	PART NUMBER	Q'TY	DESCRIPTION	REMARKS	NOTE1	NOTE2
2		610206-54130	1	HOUSING ASSY, D.SHFT			
3	+	610246-44730	2	STOPPER			
4	+	610217-52630	1	LINER, FLEXIBLE			
5		178127-50330	1	TUBE	10*11*140		
6		178001-56730	1	CABLE, THROTTLE			
7		900502-00006	2	NUT 6 (3N)	3N6		
8		610013-56730	1	SHAFT, FLEXIBLE		Sus. by C506-000001	
8		C506-000000	1	SHAFT,FLEXIBLE		Sus. by C506-000001	
8		C506-000001	1	SHAFT,FLEXIBLE			
9		610601-56730	1	BRACKET ASSEMBLY		Sus.by 610601-56732	
9		610601-56731	1	BRACKET ASSEMBLY		Sus.by 610601-56732	
9		610601-56732	1	BRACKET ASSEMBLY			
10	+	178302-56630	1	LATCH ASSY			
14	+	900100-05035	1	BOLT 5*35	5*35		
14	+	900162-05040	1	BOLT, H.S. 5*40	5*40 W,SW	Next Production	
15	+	900242-05012	1	SCREW 5*12	5*12		
16	+	900500-00005	1	NUT 5	5	Next Production : Nil	
18	+	900142-05030	1	BOLT 5*30 (W/W,SW)	5*30		
18	+	900162-05028	1	BOLT, H.S. 5*28	5*28 W,SW	Next Production	

## 5. Handle

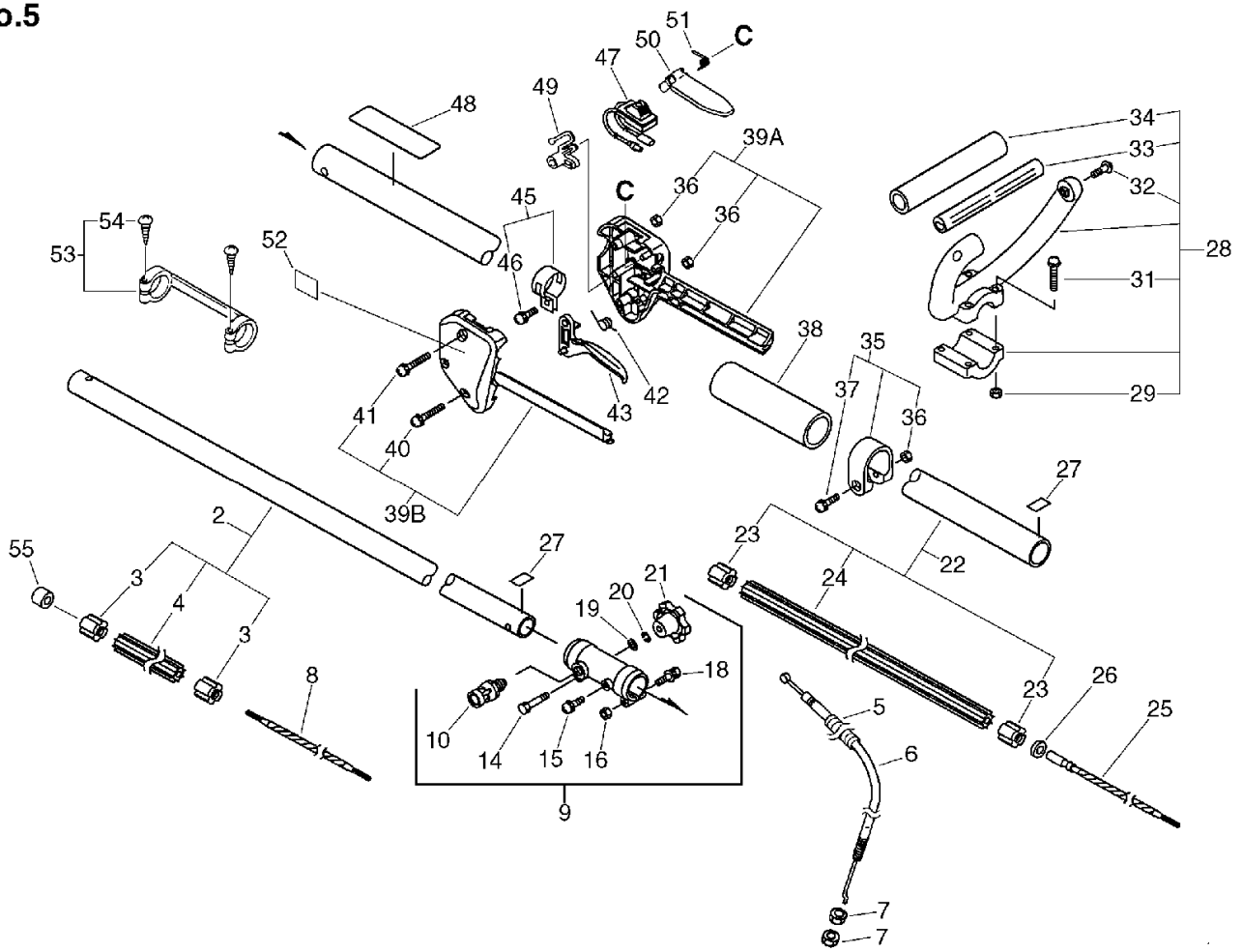
## No.5



KEY	LV	PART NUMBER	Q'TY	DESCRIPTION	REMARKS	NOTE1	NOTE2
19	+	900600-00005	1	WASHER 5	5		
20	+	900605-00005	1	WASHER, SPRING 5	5		
21	+	352325-27630	1	KNOB		Sus. by V299-000100	
21	+	V299-000100	1	KNOB,FASTENER			
22		610206-56730	1	HOUSING ASSY, D.SHFT			
23	+	610246-44730	2	STOPPER			
24	+	610217-56730	1	LINER, FLEXIBLE			
25		610013-55630	1	SHAFT, FLEXIBLE			
26		100251-56630	1	CUSHION			
27		890152-04930	2	LABEL, CAUTION			
28		351201-51730	1	HANDLE ASSY, LOOP			
29	+	900500-00005	4	NUT 5	5		
31	+	900242-05035	4	SCREW 5*35	5*35		
32	+	900246-05030	2	SCREW 5*30	5*30		
33	+	351210-51730	1	HANDLE, REAR			
34	+	351213-51730	1	GRIP, FRONT HANDLE			
35		610272-52130	1	BAND			
36	+	900500-00005	1	NUT 5	5		
37	+	900242-05028	1	SCREW 5*28	5*28		
38		351213-52130	1	GRIP			
39		178003-52130	1	BRACKET SET,THROTTLE			
36	+	900500-00005	2	NUT 5	5		
40	+	900242-05025	1	SCREW 5*25	5*25		
41	+	900242-05035	1	SCREW 5*35	5*35		
42		178043-42230	1	SPRING, THR. RETURN			

## 5. Handle

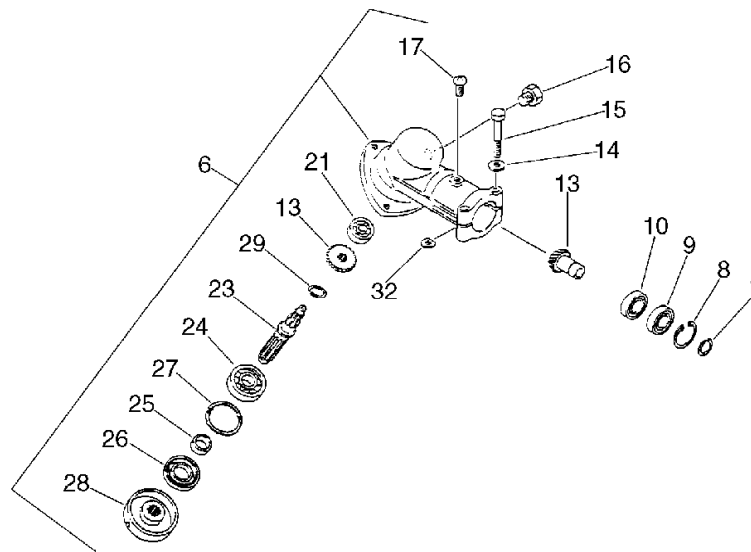
## No.5



KEY	LV	PART NUMBER	Q'TY	DESCRIPTION	REMARKS	NOTE1	NOTE2
43		178010-52130	1	CONTROL, THROTTLE			
45		301200-29430	1	BAND ASSY			
46	+	900242-05014	1	SCREW 5*14	5*14		
47		163400-49230	1	SWITCH, IGNITION			
48		890617-52730	1	LABEL, CAUTION		Sus. by 890617-43130	
48		890617-63630	1	LABEL,CAUTION		Sus. by 890617-43130	
48		X505-000140	1	LABEL,CAUTION		Sus. by 890617-43130	
48		890617-43130	1	LABEL,CAUTION			
49		178012-52730	1	LOCKOUT, THROTTLE			
50		178090-52630	1	LOCKOUT, T. CONTROL		Sus. by 178090-52632	
50		178090-52631	1	LOCKOUT, T. CONTROL		Sus. by 178090-52632	
50		178090-52632	1	LOCKOUT, T. CONTROL			
51		178013-52630	1	SPRING, THR. LOCK			
52		890157-39130	1	LABEL, SWITCH			
53		610281-54130	1	COLLER			
54	+	900253-04025	2	SCREW 4*25	4*25		
55		104910-56630	1	CUSHION			

## 6. Gear Case

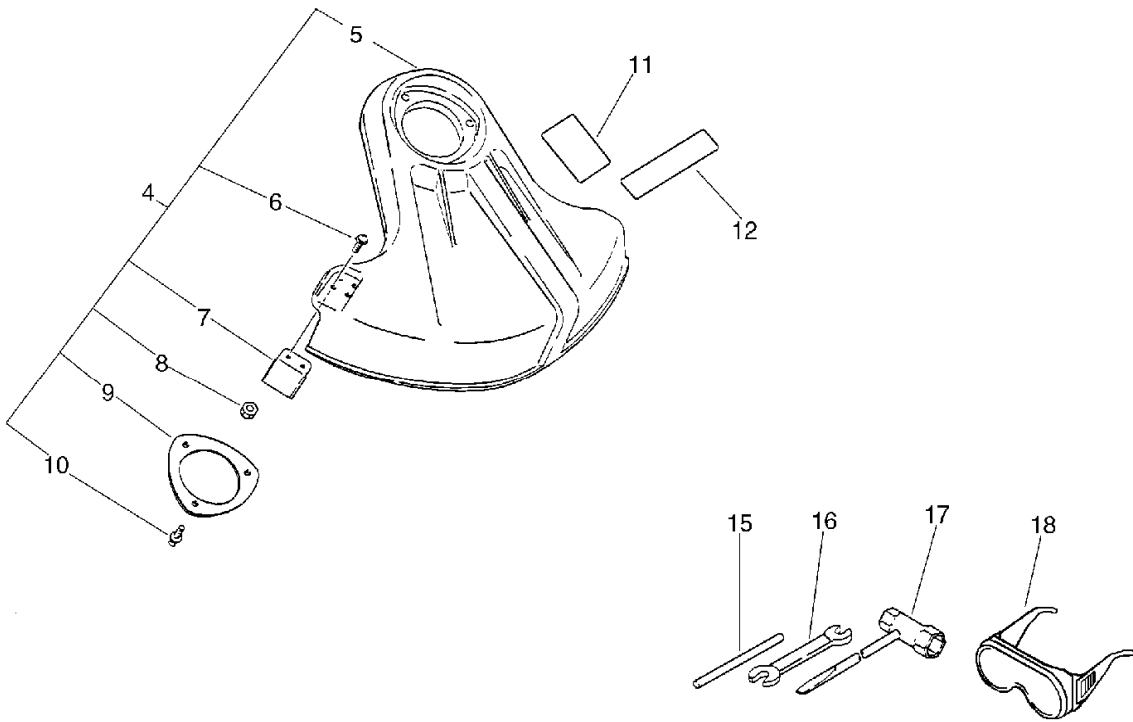
No.6



KEY	LV	PART NUMBER	Q'TY	DESCRIPTION	REMARKS	NOTE1	NOTE2
6		610402-47731	1	HOUSING ASSY, GEAR		Sus. by 610402-47732	
6		610402-47732	1	CASE ASY, GEAR			
7	+	900706-00012	1	CIRCLIP 12	WR-12		
8	+	900702-00022	1	CIRCLIP 22	CR-22		
9	+	900858-06900	1	BEARING, BALL 6900Z	6900Z		
10	+	900855-06900	1	BEARING, BALL 6900	6900		
13	+	610300-44830	1	GEAR SET			
14	+	900600-00005	2	WASHER 5	5		
15	+	900100-05035	2	BOLT 5*35	5*35		
16	+	610434-50030	1	BOLT 8* 6		Sus. by 610434-50031	
16	+	610434-50031	1	BOLT 8* 8	M8*8		
17	+	900242-05010	1	SCREW 5*10	5*10		
21	+	900800-00609	1	BEARING, BALL 609	609		
23	+	610360-08931	1	SHAFT, P.T.O.			
24	+	900810-06201	1	BEARING, BALL 6201	6201		
25	+	610315-07130	1	SPACER			
26	+	610413-07130	1	OILSEAL			
27	+	900702-00032	1	CIRCLIP 32	CR-32		
28	+	610313-47731	1	PLATE, ADAPTER (U)			
29	+	900706-00010	1	CIRCLIP 10	WR-10		
32	+	610239-04130	2	WASHER, SHIM			

## 7. Shield, Tools

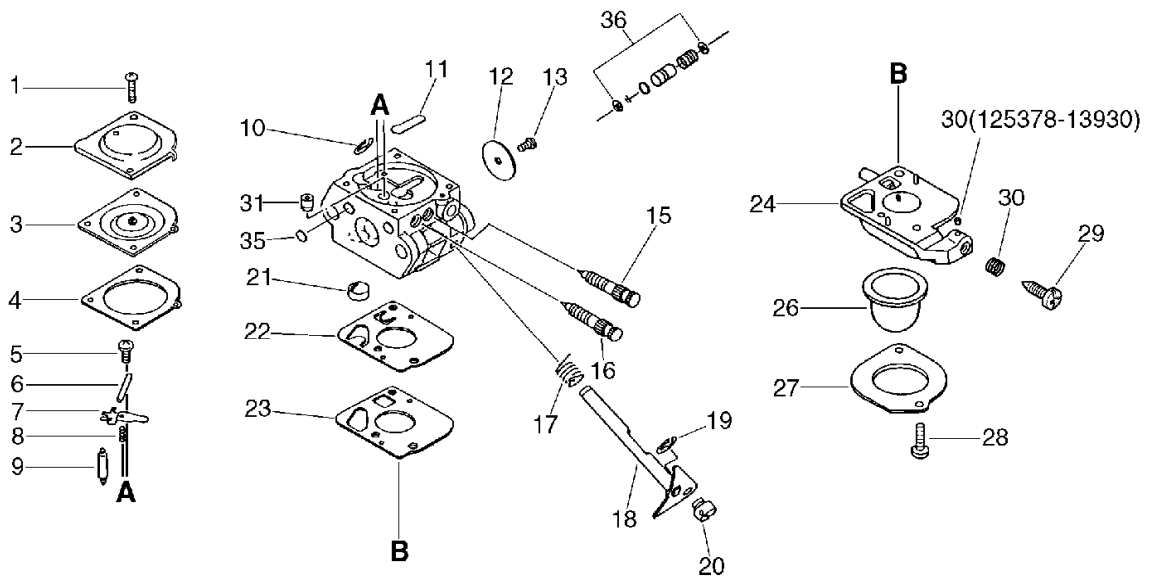
No.7



KEY	LV	PART NUMBER	Q'TY	DESCRIPTION	REMARKS	NOTE1	NOTE2
4		699000-40931	1	SHIELD ASSY			
5	+	699010-27231	1	SHIELD, BLADE			
6	+	900238-05016	2	SCREW 5*16	5*16		
7	+	699016-44330	1	CUTTER			
8	+	900500-00005	2	NUT 5	5		
9	+	699018-40830	1	BRACKET, SHIELD		Sus. by C552-000110	
9	+	C552-000110	1	PLATE, SHIELD			
10	+	900238-05016	3	SCREW 5*16	5*16		
11		890186-23760	1	LABEL, CAUTION			
12		890118-48830	1	LABEL, ECHO			
15		897518-01131	1	LOCKING TOOL			
16		895112-00330	1	SPANNER 8*10			
17		895410-08030	1	WRENCH, W/S. DRIVER		Sus. by X602-000020	
17		X602-000020	1	TOOL, WRENCH	17*19 L200		
18		899580-40930	1	GOGGLE		Sus. by P021-002861	
18		899580-68730	1	SAFETY GLASSES		Sus. by P021-002861	
18		P021-002861	1	GOGGLES			

## 8. Carburetor

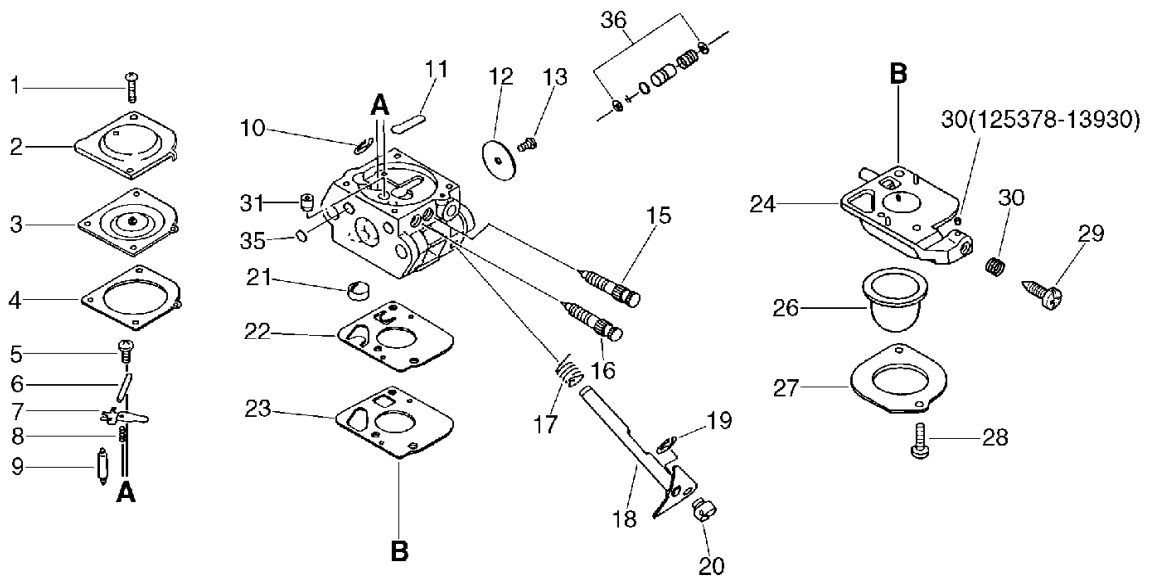
No.8



KEY	LV	PART NUMBER	Q'TY	DESCRIPTION	REMARKS	NOTE1	NOTE2
		125200-13311	1	CARBURETOR C1U-K52	C1U-K52	Sus. by 125200-13314	
		125200-13312	1	CARBURETOR	C1U-K52	Sus. by 125200-13314	
		125200-13313	1	CARBURETOR	C1U-K52	Sus. by 125200-13314	
		125200-13314	1	CARBURETOR	C1U-K52		
1	+	125344-52130	2	SCREW			
2	+	125342-13210	1	COVER, DIAPHRAGM			
3	+	125341-49030	1	DIAPHRAGM			
4	+	125340-51030	1	GASKET, DIAPHRAGM			
5	+	125339-42030	1	SCREW			
6	+	125338-13930	1	PIN, METERING ARM			
7	+	125323-42030	1	LEVER, METERING			
8	+	125322-42030	1	SPRING, COIL			
9	+	125337-06960	1	VALVE, INLET NEEDLE			
10	+	125327-15130	1	CLIP			
11	+	125345-15130	1	PLUG, WELCH			
12	+	125316-49030	1	VALVE, THROTTLE			
13	+	125314-13930	1	SCREW	3*4		
15	+	125318-13120	1	SCREW, IDLE NEEDLE			
16	+	125320-13310	1	NEEDLE, HIGH SPEED			
17	+	125313-42030	1	SPRING, THRT. RETURN			
18	+	125317-13310	1	SHAFT, THROTTLE			
19	+	125327-13930	1	CLIP			
20	+	125372-42030	1	SWIVEL			

## 8. Carburetor

No.8

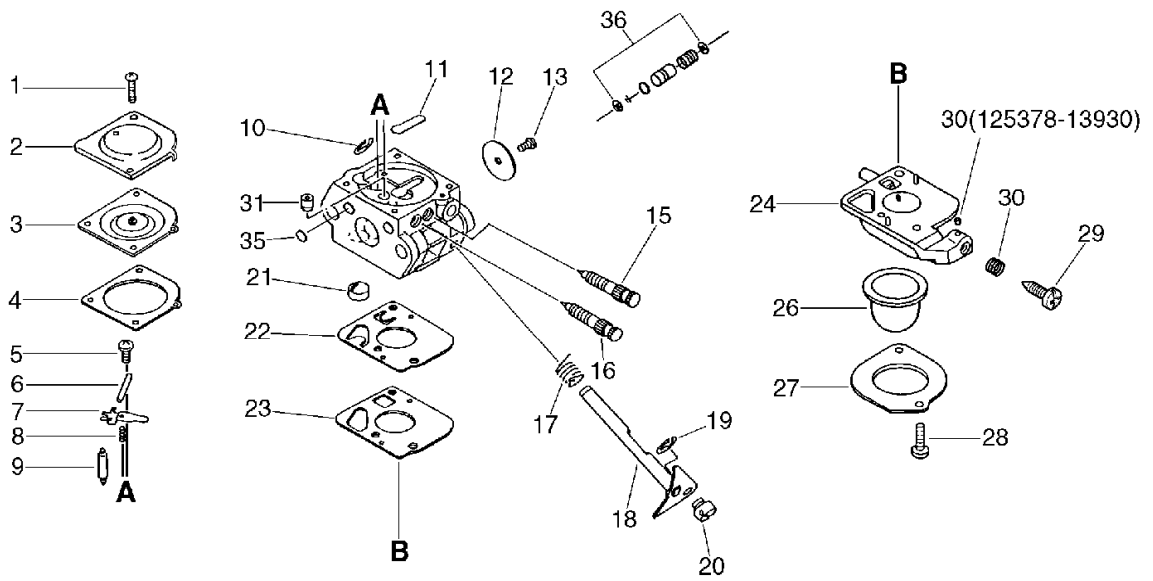


KEY	LV	PART NUMBER	Q'TY	DESCRIPTION	REMARKS	NOTE1	NOTE2
21	+	125326-42030	1	STRAINER			
22	+	125312-12820	1	DIAPHRAGM, FUEL PUMP			
23	+	125325-13310	1	GASKET, PUMP			
24	+	125383-13310	1	BASE, PRIMER		Sus. by P005-000590	
24	+	P005-000590	1	BASE,ASY PRIMER			
26	+	125381-08660	1	PUMP, PRIMING			
27	+	125363-11610	1	RING			
28	+	125310-11610	2	SCREW			
29	+	125334-13930	1	SCREW, IDLE ADJUST		Can be used on the 125200-13311 only	
29	+	125334-06960	1	SCREW, THROTTLE ADJUST		Can be used on the 125200-13312 only	
30	+	125378-13930	1	PIECE, FRICTION		Can be used on the 125200-13311 only	
30	+	125333-06960	1	SPRING, IDLE ADJUSTER		Can be used on the 125200-13312 only	
31	+	125376-13120	1	NOZZLE, CHECK VALVE			
35	+	125345-13310	1	PLUG, WELCH			
36	+	125306-13310	1	PUMP KIT, ACC.		Can be used on the 125200-13311 only	



# 8. Carburetor

No.8



KEY	LV	PART NUMBER	Q'TY	DESCRIPTION	REMARKS	NOTE1	NOTE2
36	+	125306-13120	1	PUMP KIT, ACC.		Can be used on the	
		125303-13310	1	DIAPHRAGM/GASKET KIT		125200-13312 only	
		125300-13310	1	REBUILD KIT			

## 9. Repair Kit

KEY	LV	PART NUMBER	Q'TY	DESCRIPTION	REMARKS	NOTE1	NOTE2
		125303-13310	1	DIAPHRAGM/GASKET KIT			
8-3	+	125341-49030	1	DIAPHRAGM			
8-4	+	125340-51030	1	GASKET, DIAPHRAGM			
8-23	+	125325-13310	1	GASKET, PUMP			
	+	125312-42030	1	DIAPHRAGM, FUEL PUMP			
		125300-13310	1	REBUILD KIT			
8-3	+	125341-49030	1	DIAPHRAGM			
8-4	+	125340-51030	1	GASKET, DIAPHRAGM			
8-6	+	125338-13930	1	PIN, METERING ARM			
8-7	+	125323-42030	1	LEVER, METERING			
8-8	+	125322-42030	1	SPRING, COIL			
8-9	+	125337-06960	1	VALVE, INLET NEEDLE			
8-11	+	125345-15130	1	PLUG, WELCH			
8-21	+	125326-42030	1	STRAINER			
8-23	+	125325-13310	1	GASKET, PUMP			
	+	125312-42030	1	DIAPHRAGM, FUEL PUMP			

**Index**

<b>Patrs Number</b>	<b>Key No.</b>	<b>Patrs Number</b>	<b>Key No.</b>	<b>Patrs Number</b>	<b>Key No.</b>
100000-48732	1 - 8	125325-13310	9 - 8-23	132115-46730	4 - 8
100011-05330	1 - 9	125325-13310	9 - 8-23	145510-42031	3 - 22
100012-51230	1 - 4	125326-42030	8 - 21	145631-42030	3 - 28
100013-11520	1 - 10	125326-42030	9 - 8-21	145802-54130	3 - 30
100014-11520	1 - 12	125327-13930	8 - 19	145863-54130	3 - 26
100015-04630	1 - 11	125327-15130	8 - 10	145866-42031	3 - 24
100100-44732	1 - 17	125333-06960	8 - 30	145871-44331	3 - 28
100204-52130	1 - 14	125334-06960	8 - 29	145876-42030	3 - 25
100204-52131	1 - 14	125334-13930	8 - 29	156112-40630	2 - 13
100204-52132	1 - 14	125337-06960	8 - 9	156626-52730	2 - 9
100212-42030	1 - 13	125337-06960	9 - 8-9	156801-09660	2 - 7
100212-42031	1 - 13	125338-13930	8 - 6	159011-03432	2 - 11
100215-03930	1 - 15	125338-13930	9 - 8-6	159012-03433	2 - 10
100242-42030	1 - 18	125339-42030	8 - 5	159017-10230	2 - 12
100251-56630	5 - 26	125340-51030	8 - 4	159912-54130	1 - 22
101010-44332	1 - 7	125340-51030	9 - 8-4	162010-52830	2 - 16
101011-06562	1 - 5	125340-51030	9 - 8-4	163400-49230	5 - 47
101503-52131	1 - 25	125341-49030	8 - 3	175000-56830	2 - 6
101514-48930	1 - 23	125341-49030	9 - 8-3	175005-48931	1 - 33
104910-56630	5 - 55	125341-49030	9 - 8-3	177200-54130	2 - 26
125200-13311	3 - 10	125342-13210	8 - 2	177202-44330	2 - 20
125200-13311	8 -	125344-52130	8 - 1	177202-44331	2 - 20
125200-13312	3 - 10	125345-13310	8 - 35	177215-44430	2 - 29
125200-13312	8 -	125345-15130	8 - 11	177218-44330	2 - 24
125200-13313	3 - 10	125345-15130	9 - 8-11	177220-42030	2 - 33
125200-13313	8 -	125363-11610	8 - 27	177226-10120	2 - 30
125200-13314	3 - 10	125372-42030	8 - 20	177227-42030	2 - 31
125200-13314	8 -	125376-13120	8 - 31	177228-06530	2 - 32
125300-13310	8 -	125378-13930	8 - 30	177234-12220	2 - 23
125300-13310	9 -	125381-08660	8 - 26	177234-42030	2 - 23
125303-13310	8 -	125383-13310	8 - 24	177236-44330	2 - 27
125303-13310	9 -	129011-52730	3 - 16	178001-56730	5 - 6
125306-13120	8 - 36	130010-42032	3 - 5	178003-52130	5 - 39
125306-13310	8 - 36	130016-42031	3 - 9	178010-52130	5 - 43
125310-11610	8 - 28	130017-42031	3 - 7	178012-52730	5 - 49
125312-12820	8 - 22	130307-06561	3 - 14	178013-52630	5 - 51
125312-42030	9 -	130310-54130	3 - 18	178043-42230	5 - 42
125312-42030	9 -	130313-06563	3 - 19	178090-52630	5 - 50
125313-42030	8 - 17	131004-08960	4 - 16	178090-52631	5 - 50
125314-13930	8 - 13	131005-46830	4 - 15	178090-52632	5 - 50
125316-49030	8 - 12	131005-46831	4 - 15	178127-50330	5 - 5
125317-13310	8 - 18	131016-55830	4 - 17	178302-56630	5 - 10
125318-13120	8 - 15	131051-52430	4 - 18	210417-52730	3 - 20
125320-13310	8 - 16	131205-07320	4 - 10	301200-29430	5 - 45
125322-42030	8 - 8	131300-56430	4 - 5	351201-51730	5 - 28
125322-42030	9 - 8-8	131312-39130	4 - 7	351210-51730	5 - 33
125323-42030	8 - 7	132010-13930	4 - 11	351213-51730	5 - 34
125323-42030	9 - 8-7	132010-56330	4 - 6	351213-52130	5 - 38
125325-13310	8 - 23	132013-09820	4 - 9	352325-27630	5 - 21

**Index**

<b>Patrs Number</b>	<b>Key No.</b>	<b>Patrs Number</b>	<b>Key No.</b>	<b>Patrs Number</b>	<b>Key No.</b>
610013-55630	5 - 25	900142-05025	1 - 42	900810-06201	6 - 24
610013-56730	5 - 8	900142-05030	5 - 18	900810-36201	1 - 16
610206-54130	5 - 2	900162-04016	1 - 20	900855-06900	6 - 10
610206-56730	5 - 22	900162-04016	1 - 26	900858-06900	6 - 9
610217-52630	5 - 4	900162-04016	2 - 35	94035-36201	1 - 16
610217-56730	5 - 24	900162-04022	2 - 8	A011-000000	1 - 17
610239-04130	6 - 32	900162-05022	1 - 6	A011-000001	1 - 17
610246-44730	5 - 3	900162-05028	1 - 19	A011-000002	1 - 17
610246-44730	5 - 23	900162-05028	5 - 18	A101-000000	1 - 9
610272-52130	5 - 35	900162-05040	5 - 14	A130-000010	1 - 5
610281-54130	5 - 53	900238-04010	3 - 35	A130-000011	1 - 5
610300-44830	6 - 13	900238-04016	1 - 20	A130-000021	1 - 5
610313-47731	6 - 28	900238-04016	1 - 26	A313-000000	3 - 26
610315-07130	6 - 25	900238-04016	2 - 35	A320-000250	3 - 28
610360-08931	6 - 23	900238-05016	1 - 21	A320-000251	3 - 28
610402-47731	6 - 6	900238-05016	4 - 12	C506-000000	5 - 8
610402-47732	6 - 6	900238-05016	7 - 6	C506-000001	5 - 8
610413-07130	6 - 26	900238-05016	7 - 10	C552-000110	7 - 9
610434-50030	6 - 16	900238-05020	3 - 8	P005-000590	8 - 24
610434-50031	6 - 16	900242-05010	6 - 17	P021-001100	1 - 8
610601-56730	5 - 9	900242-05012	5 - 15	P021-001101	1 - 8
610601-56731	5 - 9	900242-05014	5 - 46	P021-001102	1 - 8
610601-56732	5 - 9	900242-05025	5 - 40	P021-001380	3 - 30
610903-55230	1 - 39	900242-05028	5 - 37	P021-001381	3 - 30
610910-55230	1 - 37	900242-05035	5 - 31	P021-001382	3 - 30
610922-27432	1 - 41	900242-05035	5 - 41	P021-001383	3 - 30
610923-55230	1 - 40	900242-05065	3 - 17	P021-001384	3 - 30
699000-40931	7 - 4	900243-05016	4 - 12	P021-002861	7 - 18
699010-27231	7 - 5	900246-05030	5 - 32	P021-002921	3 - 14
699016-44330	7 - 7	900253-04025	5 - 54	V103-000110	3 - 9
699018-40830	7 - 9	900500-00005	3 - 6	V104-000001	3 - 24
890112-56730	1 - 24	900500-00005	5 - 16	V104-000002	3 - 24
890118-48830	7 - 12	900500-00005	5 - 29	V104-000003	3 - 24
890118-49130	2 - 36	900500-00005	5 - 36	V104-000160	3 - 22
890121-05360	3 - 21	900500-00005	5 - 36	V299-000100	5 - 21
890152-04930	5 - 27	900500-00005	7 - 8	V471-001190	4 - 11
890157-39130	5 - 52	900502-00006	5 - 7	V471-001200	4 - 7
890186-23760	7 - 11	900600-00005	3 - 37	V553-000010	1 - 4
890617-43130	5 - 48	900600-00005	5 - 19	V622-000020	1 - 13
890617-52730	5 - 48	900600-00005	6 - 14	X505-000140	5 - 48
890617-63630	5 - 48	900605-00005	5 - 20	X602-000020	7 - 17
895112-00330	7 - 16	900701-00012	1 - 36		
895410-08030	7 - 17	900702-00022	6 - 8		
897518-01131	7 - 15	900702-00028	1 - 34		
899580-40930	7 - 18	900702-00032	6 - 27		
899580-68730	7 - 18	900706-00010	6 - 29		
900100-05035	5 - 14	900706-00012	6 - 7		
900100-05035	6 - 15	900800-00609	6 - 21		
900105-05055	3 - 36	900807-96001	1 - 35		

# YAMABIKO CORPORATION

7-2 SUEHIROCHO 1-CHOME, OHME, TOKYO 198-8760, JAPAN  
PHONE: 81-428-32-6118. FAX: 81-428-32-6145.

**ECHO**<sup>®</sup>



00SB  
No.