



PARTS CATALOG

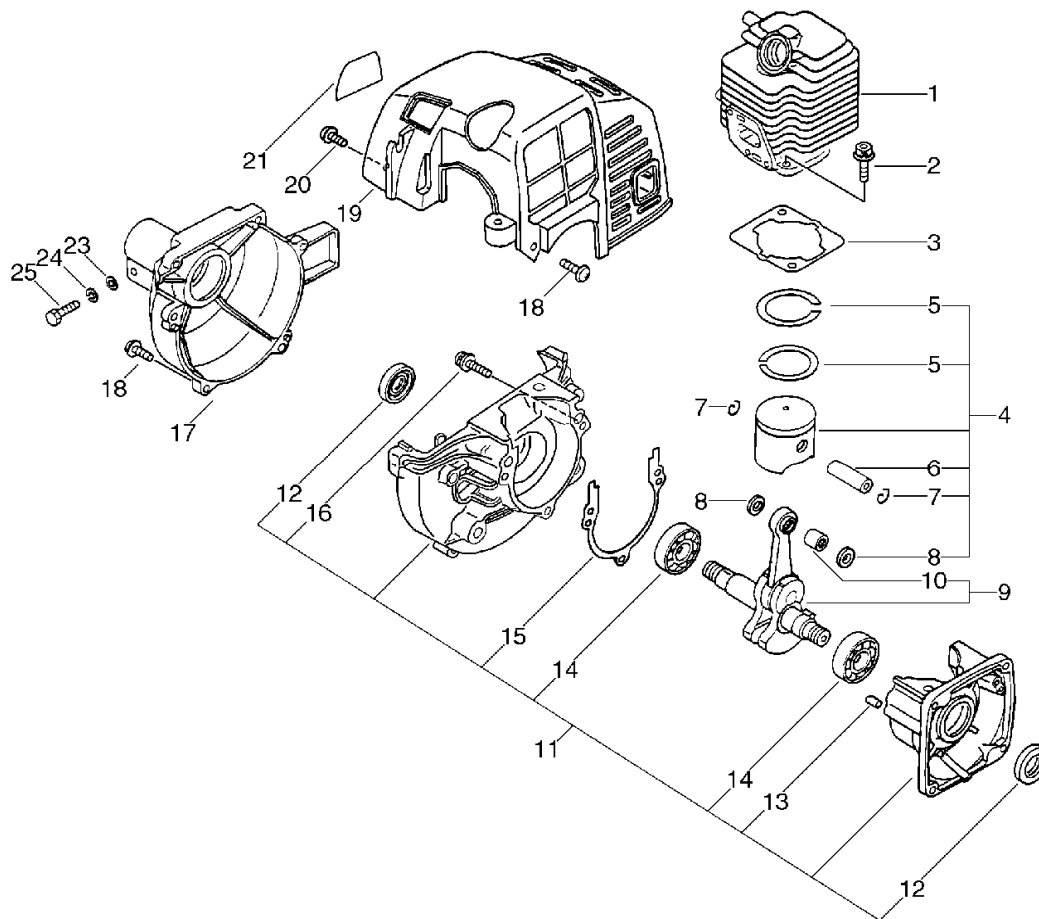
GRASS-TRIMMER / BRUSHCUTTER

SRM-2015S

SRM-2015S

1. Cylinder, Crankcase, Piston, Fan Cover

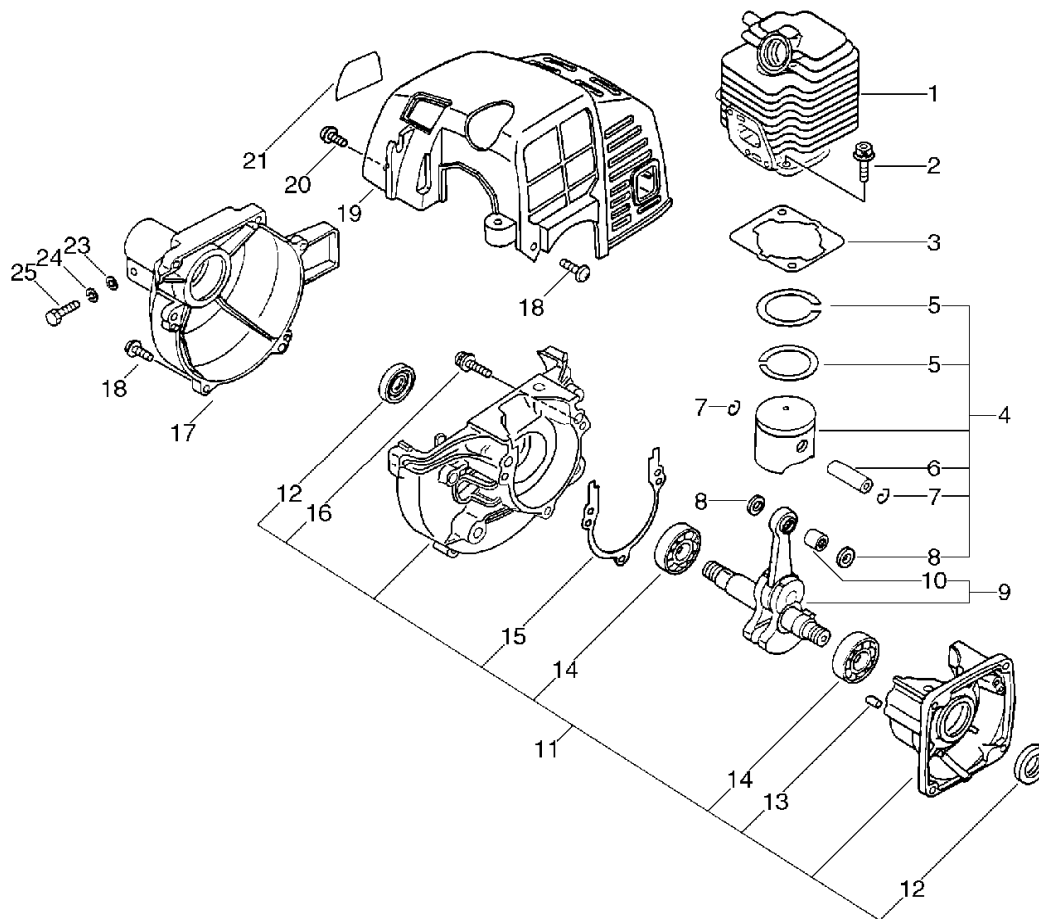
No.1



KEY	LV	PART NUMBER	Q'TY	DESCRIPTION	REMARKS	NOTE1	NOTE2
1		101011-06562	1	CYLINDER			
2		900162-05022	2	BOLT, H.S. 5*22	5*22 W,SW		
3		101010-44332	1	GASKET, CYL. BASE			
4		100000-48732	1	PISTON KIT			
5	+	100011-05330	2	RING, PISTON			
6	+	100013-11520	1	PIN, PISTON			
7	+	100015-04630	2	CIRCLIP, PISTON PIN			
8	+	100014-11520	2	SPACER, PISTON PIN			
9		100100-44733	1	CRANKSHAFT			
10	+	100012-51230	1	BEARING, NEEDLE	8*12*10	Sus. by V553-000010	
10	+	V553-000030	1	BEARING, NEEDLE 8		Sus. by V553-000010	
10	+	V553-000010	1	BEARING, NEEDLE 8	HK0810		
11		100204-52130	1	CRANKCASE KIT		Sus. by 100204-52132	
11		100204-52131	1	CRANKCASE KIT		Sus. by 100204-52132	
11		100204-52132	1	CRANKCASE KIT			
12	+	100212-42030	2	OILSEAL	ISCD12*22*4.5	Sus. by 100212-42031	
12	+	100212-42031	2	OILSEAL	ISCD 12*22*4.5		
13	+	100215-03930	2	PIN, DOWEL			
14	+	94035-36201	2	BEARING BALL	6201X3JR2C3		
15	+	100242-42030	1	GASKET, CRANKCASE			

1. Cylinder, Crankcase, Piston, Fan Cover

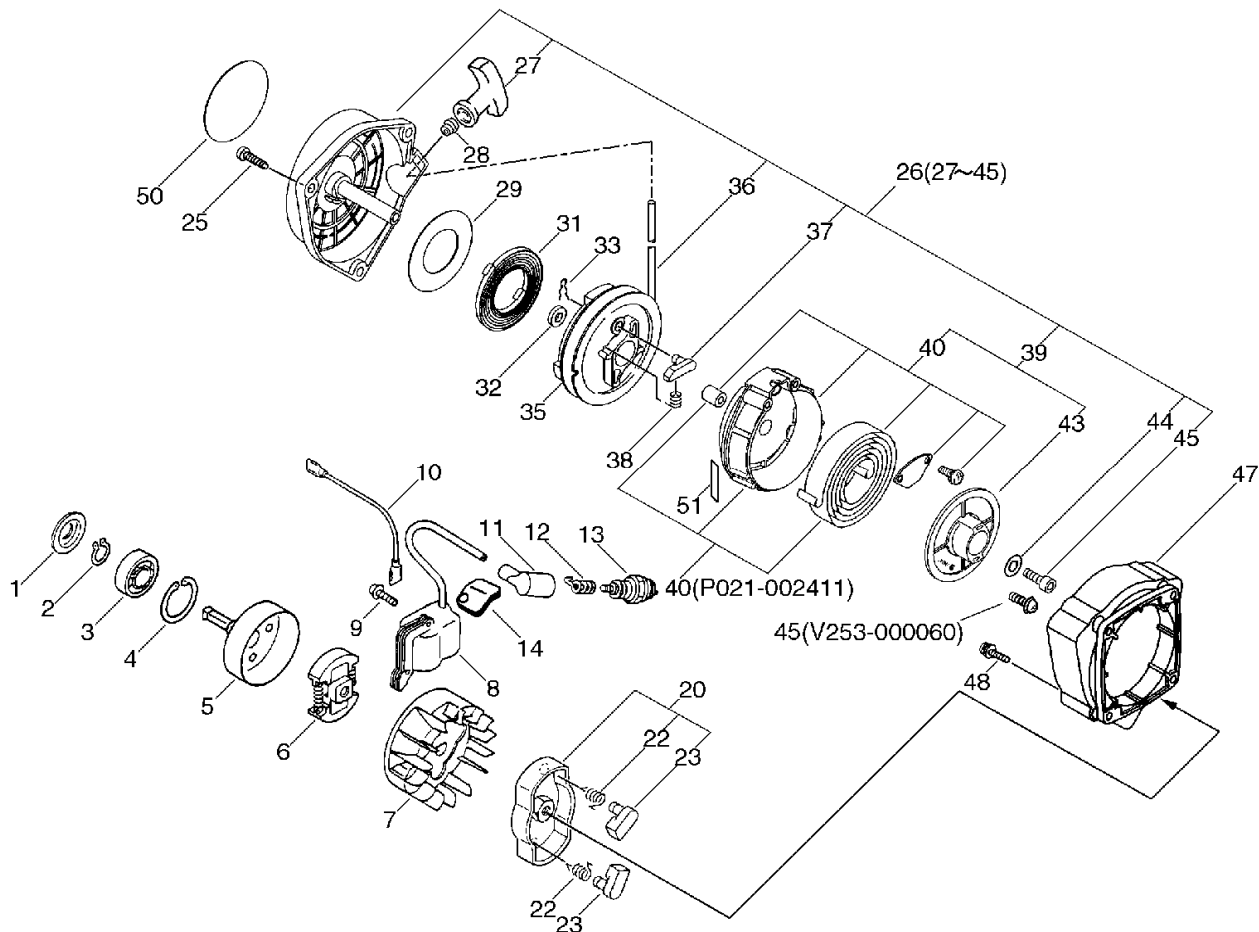
No.1



KEY	LV	PART NUMBER	Q'TY	DESCRIPTION	REMARKS	NOTE1	NOTE2
16	+	900162-05028	3	BOLT, H.S. 5*28	5*28 W,SW		
17		101511-44630	1	COVER, FAN (BS)			
18		900238-04016	6	SCREW 4*16	4*16		
19		101514-42031	1	COVER, CYLINDER			
20		900238-04012	2	SCREW 4*12	4*12		
21		X543-000040	1	LABEL, MODEL	SRM-2015S		
23		900600-00005	1	WASHER 5	5		
24		900605-00005	1	WASHER, SPRING 5	5		
25		900151-05025	1	BOLT 5*25	5*25 S45C		

2. Starter, Magneto, Clutch

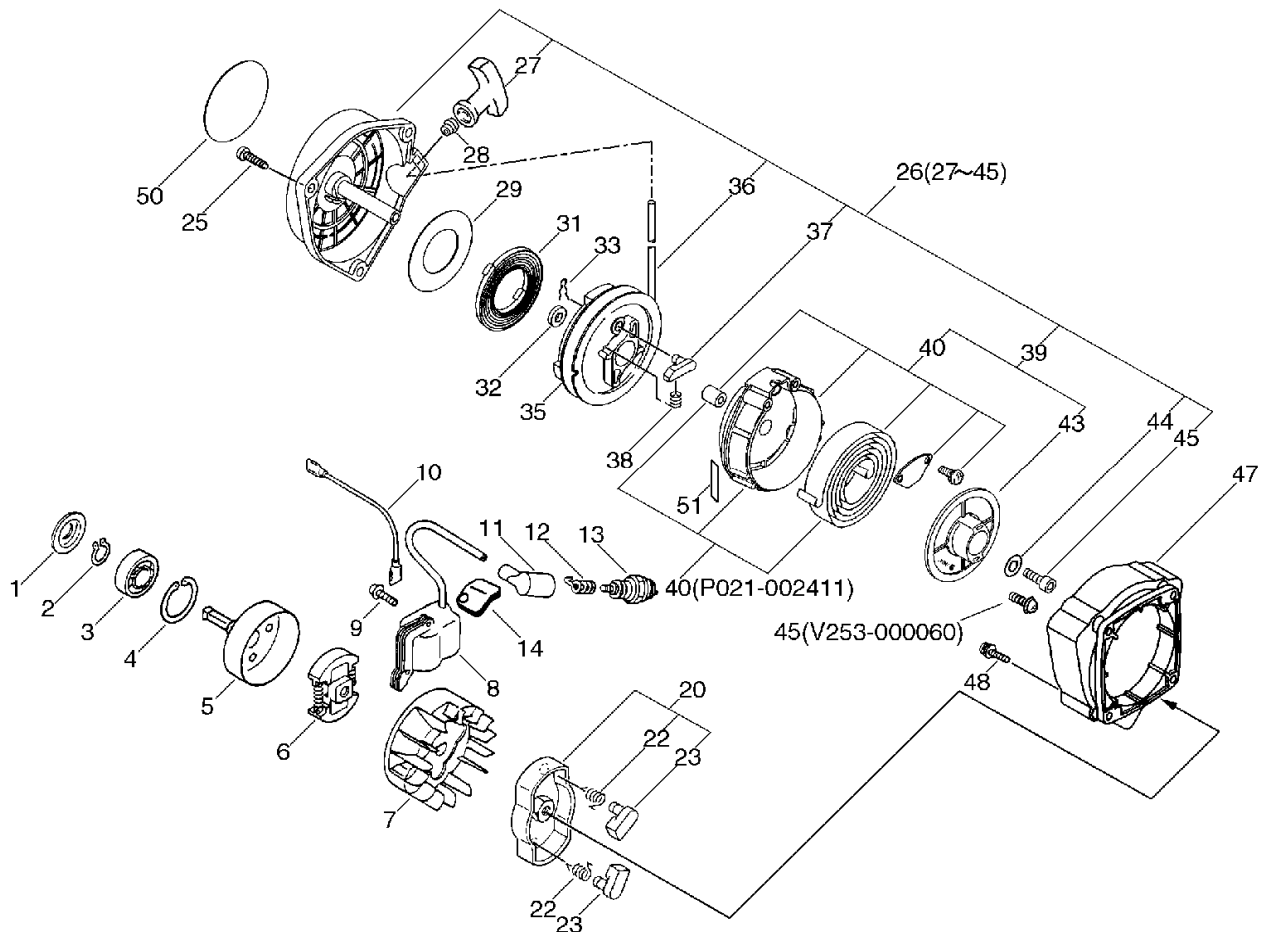
No.2



KEY	LV	PART NUMBER	Q'TY	DESCRIPTION	REMARKS	NOTE1	NOTE2
1		175053-04920	1	STOPPER			
2		900701-00012	1	CIRCLIP 12	CS-12		
3		900814-06201	1	BEARING, BALL 6201	6201ZZ		
4		900702-00032	1	CIRCLIP 32	CR-32		
5		175005-46730	1	DRUM, CLUTCH			
6		175000-52130	1	CLUTCH ASSY		Sus. by 175000-52131	
6		175000-52131	1	CLUTCH ASSEMBLY			
7		156801-44731	1	FLYWHEEL			
8		156601-52130	1	COIL, IGNITION			
9		900162-04022	2	BOLT, H.S. 4*22	4*22 W,SW		
10		162010-52830	1	LEAD, GROUND			
11		159012-01620	1	CAP, SPARK PLUG			
12		159011-03432	1	COIL, SPARK PLUG			
13		159017-10230	1	PLUG, SPARK (RCJ-7Y)	RCJ-7Y		
13		159010-10230	1	PLUG, SPARK (BPMR-7A)	BPMR-7A		
14		150112-42030	1	BUSHING			
20		177202-12220	1	PAWL ASSY, STARTER			
22	+	177234-12220	2	SPRING, PAWL			
23	+	177218-44330	2	PAWL, STARTER	BLACK		
25		900253-05020	3	SCREW 5*20	5*20		
26		A051-000183	1	STARTER,RECOIL		Sus. by A051-000186	
26		A051-000184	1	STARTER,RECOIL		Sus. by A051-000186	

2. Starter, Magneto, Clutch

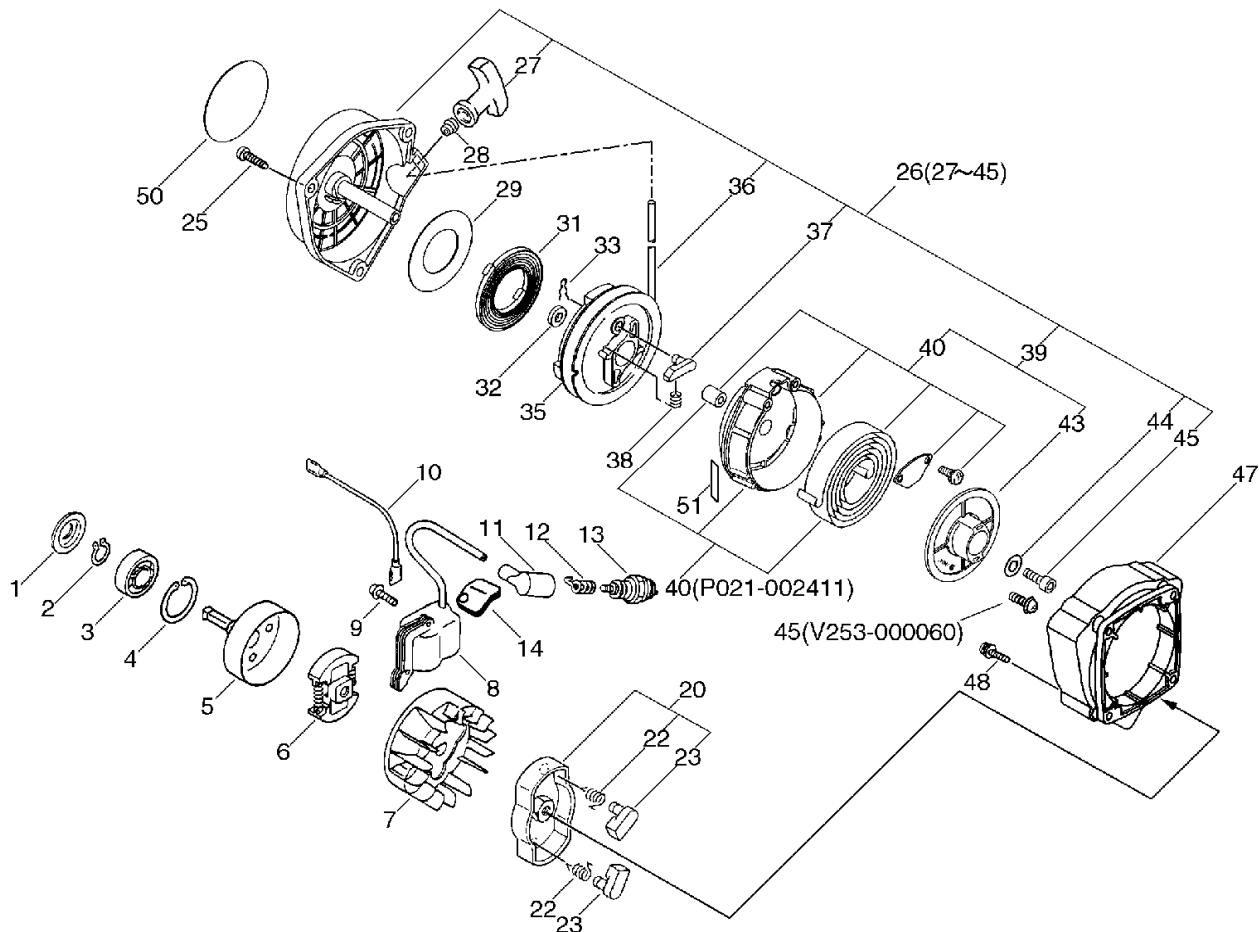
No.2



KEY	LV	PART NUMBER	Q'TY	DESCRIPTION	REMARKS	NOTE1	NOTE2
26		A051-000185	1	STARTER,RECOIL		Sus. by A051-000186	
26		A051-000186	1	STARTER,RECOIL			
27	+	177228-27030	1	GRIP, STARTER			
28	+	177227-42030	1	GUIDE, ROPE			
29	+	A503-000010	1	PLATE,STARTER			
31	+	A504-000000	1	SPRING,SPIRAL		Sus. by A504-000001	
31	+	A504-000001	1	SPRING,SPIRAL			
32	+	V355-000080	1	COLLAR,8	8.2*16*3		
33	+	V641-000040	2	PIN,SNAP			
35	+	A506-000010	1	REEL,ROPE			
36	+	177226-10120	1	ROPE, STARTER	3.0*1000		
37	+	A514-000010	2	PAWL			
38	+	V450-000130	2	SPRING,COMPRESSION			
40	+	P021-002411	1	POWER SPRING ASY		Sus. by A053-000011	
39	+	A053-000010	1	SPRING,SET POWER		Sus. by A053-000011	
39	+	A053-000011	1	SPRING,ASM POWER			
40	++	P021-002412	1	POWER SPRING ASY		Sus. by P021-004030	
40	++	P021-004030	1	POWER SPRING ASY			
43	++	A520-000002	1	PULLEY,STARTING		Can be used on the P021-002412,-4030	

2. Starter, Magneto, Clutch

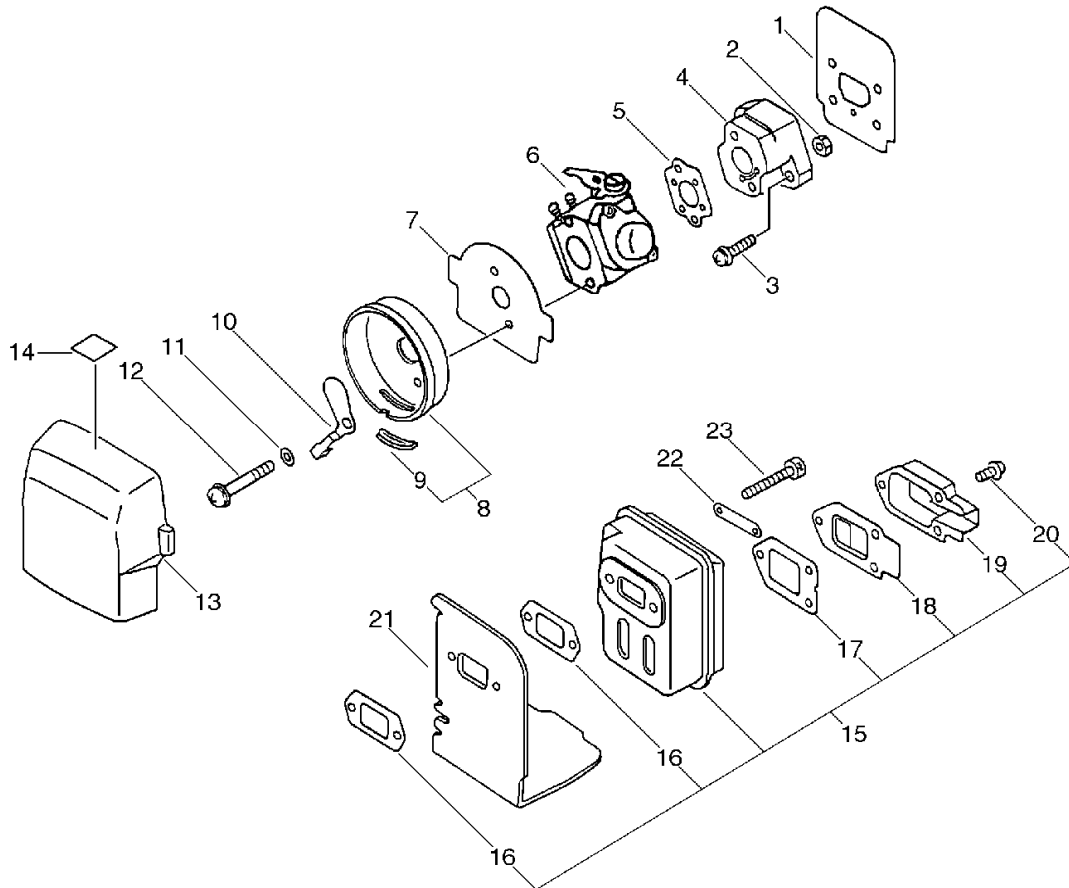
No.2



KEY	LV	PART NUMBER	Q'TY	DESCRIPTION	REMARKS	NOTE1	NOTE2
43	+	A520-000001	1	PULLEY,STARTING		Can be used on the P021-002411 only	
44	+	177214-02830	1	WASHER	5.2*16*1.0T	Sus. by V253-000060	
45	+	900105-05012	1	BOLT, H.S. 5*12	5*12	Sus. by V253-000060	
45	+	V253-000060	1	SCREW,5			
47		V376-000160	1	SPACER			
48		900162-04016	2	BOLT, H.S. 4*16	4*16 W,SW		
50		X502-000030	1	LABEL,ECHO		Sus. by X502-000032	
50		X502-000031	1	LABEL,ECHO		Sus. by X502-000032	
50		X502-000032	1	LABEL,ECHO			
51		X505-000620	1	LABEL,CAUTION			

3. Air Cleaner, Muffler

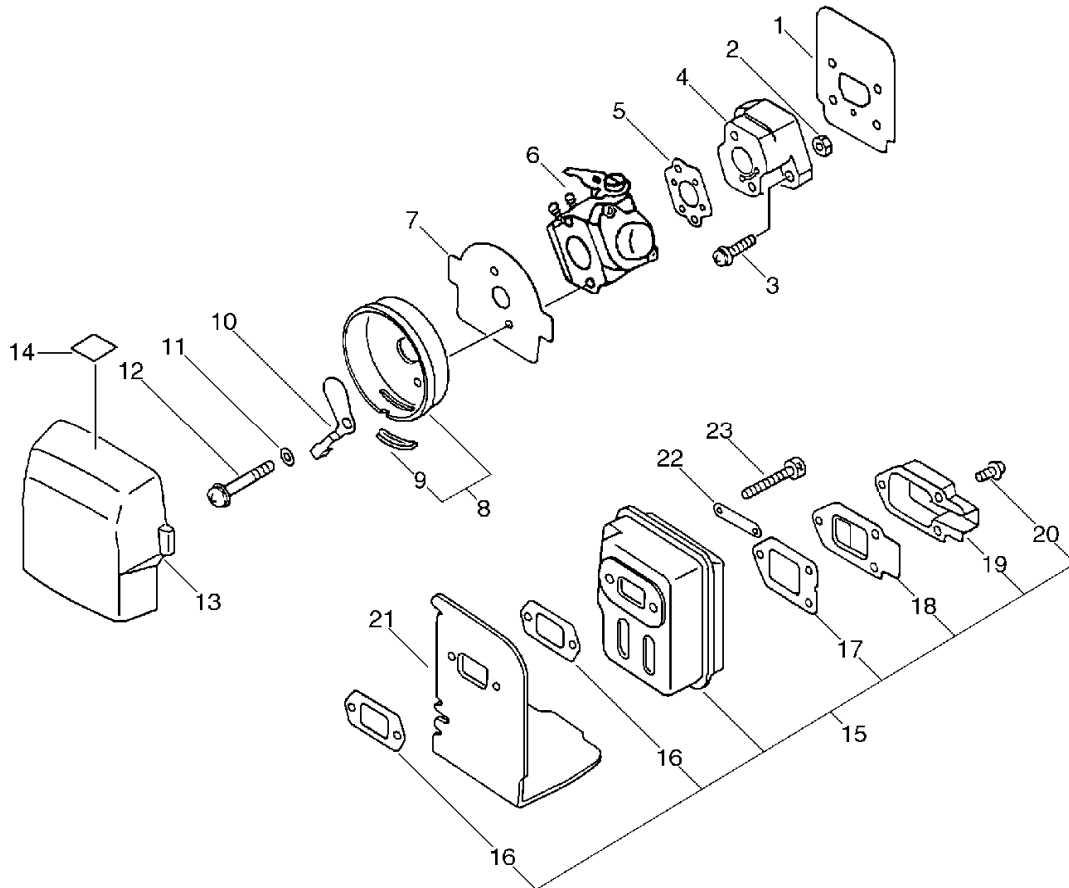
No.3



KEY	LV	PART NUMBER	Q'TY	DESCRIPTION	REMARKS	NOTE1	NOTE2
1		130010-42032	1	GASKET,INTAKE			
2		900500-00005	2	NUT 5	5		
3		900238-05020	2	SCREW 5*20	5*20		
4		130017-42031	1	INSULATOR, INTAKE			
5		130016-42031	1	GASKET, INTAKE			
6		125200-52431	1	CARBURETOR	C1U-K53	Sus. by 125200-52433	
6		125200-52432	1	CARBURETOR	C1U-K53A	Sus. by 125200-52433	
6		125200-52433	1	CARBURETOR	C1U-K53B		
7		130319-42030	1	FIXTURE, AIR CLEANER			
8		130301-42030	1	CASE, AIR CLEANER			
9	+	178810-42030	1	GROMMET, CHOKE			
10		178515-46731	1	SHUTTER, CHOKE	φ3.0		
11		178516-00830	2	SPACER	5.2*8*0.8T		
12		900242-05057	2	SCREW 5*57	5*57		
13		130310-46730	1	FILTER, AIR			
14		890169-47530	1	LABEL, ADJUSTING			
15		P021-000050	1	MUFFLER ASY			
16	+	V104-000160	2	GASKET, EXHAUST			
17	+	145866-42031	1	GASKET, MUFFLER LID			
18	+	145863-42030	1	HOLDER, SCREEN			
19	+	145876-42030	1	LID, MUFFLER (B)			
20	+	900242-04010	3	SCREW 4*10	4*10		
21		145631-42030	1	COVER, MUFFLER		Sus. by A320-000251	

3. Air Cleaner, Muffler

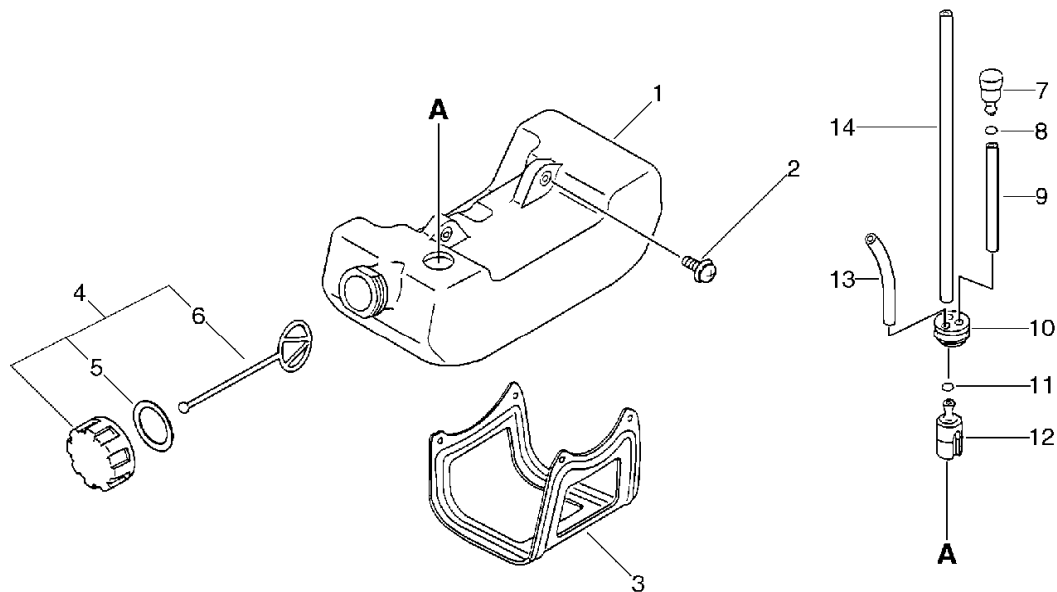
No.3



KEY	LV	PART NUMBER	Q'TY	DESCRIPTION	REMARKS	NOTE1	NOTE2
21		A320-000250	1	COVER,MUFFLER		Sus. by A320-000251	
21		A320-000251	1	COVER,MUFFLER			
22		900600-00005	2	WASHER 5	5	Sus. by 145642-04930	
22		145642-04930	1	WASHER			
23		900105-05055	2	BOLT, H.S. 5*55	5*55		

4. Fuel Tank

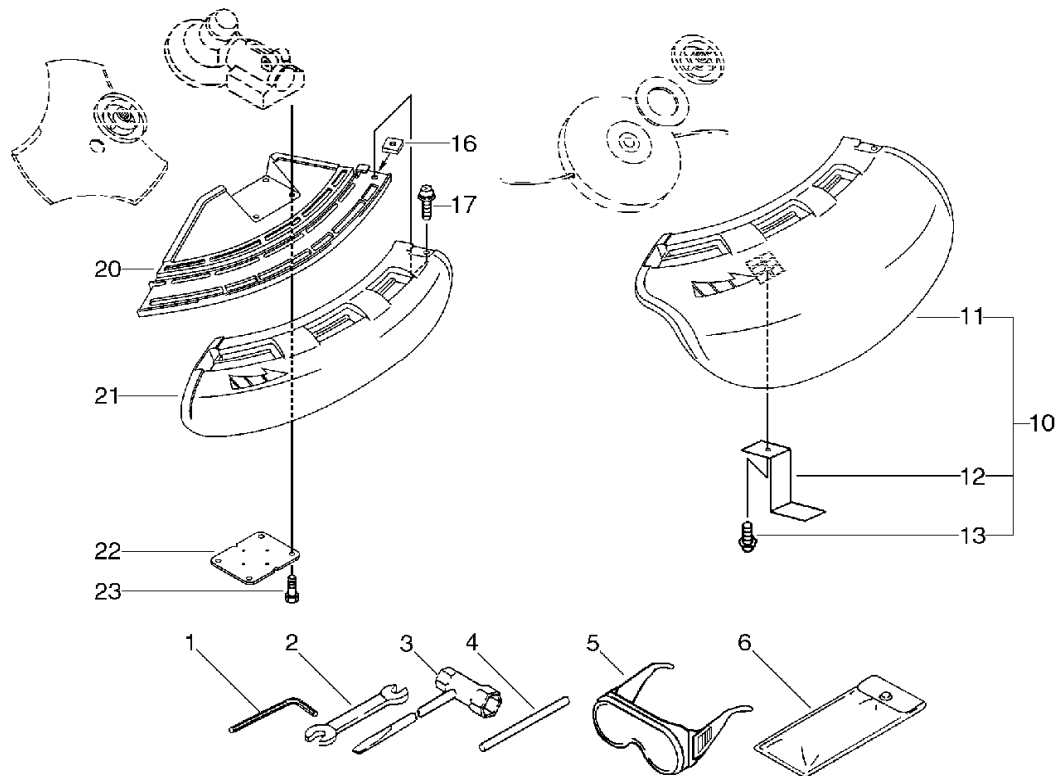
No.4



KEY	LV	PART NUMBER	Q'TY	DESCRIPTION	REMARKS	NOTE1	NOTE2
1		131005-44331	1	TANK, FUEL		Sus. by 131005-44332	
1		131005-44332	1	TANK, FUEL			
2		900243-05016	2	SCREW 5*16	5*16		
3		305110-42030	1	STAND (BL)			
4		131004-55530	1	CAP ASSY, FUEL TANK			
5	+	131016-55830	1	GASKET, FUEL CAP			
6	+	131051-56030	1	CLIP, FUEL CAP	100L		
7		131300-56430	1	VALVE, CHECK			
8		130111-00530	1	CLIP	5.5		
9		131312-44330	1	PIPE, 3*5*70L	3*5*70L NBR	Sus. by V471-001200	
9		V471-001200	1	PIPE	3*5*70 NBR		
10		132115-46730	1	GROMMET, FUEL			
11		132013-09820	1	CLIP	6MM		
12		131205-07320	1	STRAINER, FUEL			
13		132010-56330	1	PIPE 3*6*90	3*6*90 YL		
14		132010-13930	1	PIPE, FUEL	3*5*180L NBR	Sus. by V471-001190	
14		V471-001190	1	PIPE	3*5*180 NBR		

5. Shield, Tools

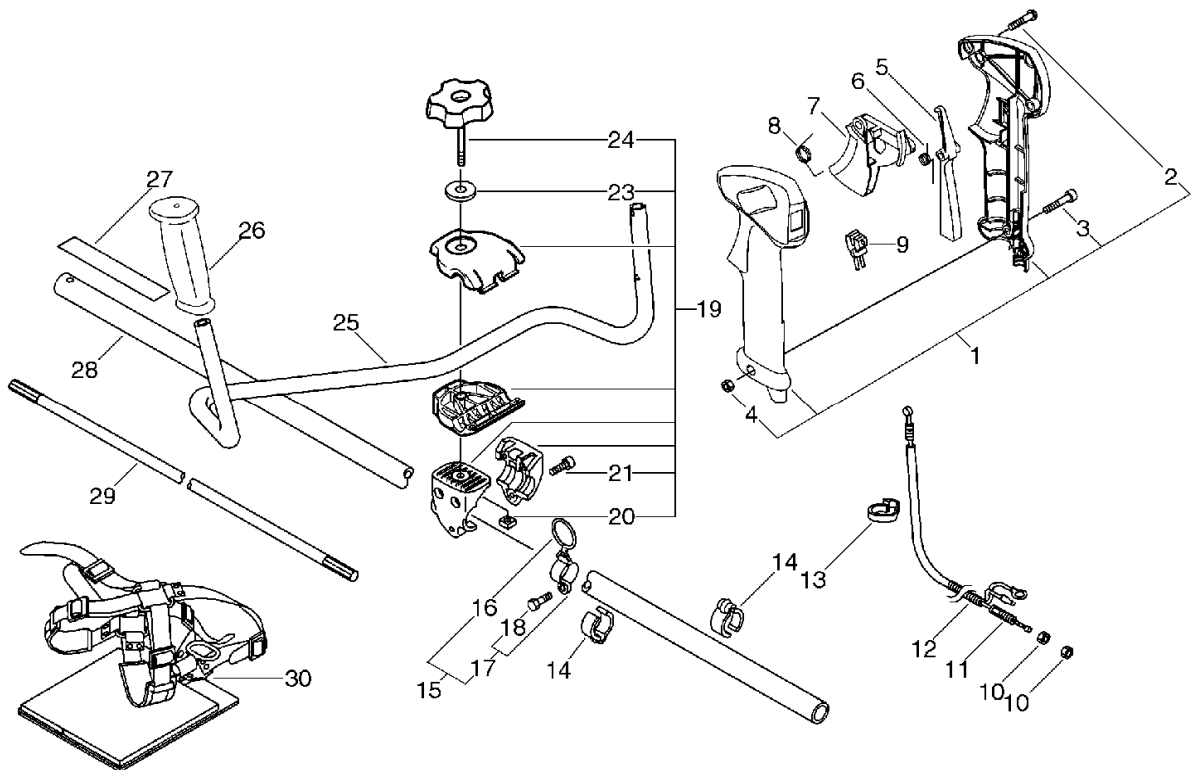
No.5



KEY	LV	PART NUMBER	Q'TY	DESCRIPTION	REMARKS	NOTE1	NOTE2
1		895610-00130	1	L-WRENCH (4MM)			
2		895112-00330	1	SPANNER 8*10			
3		895410-08030	1	WRENCH, W/S. DRIVER		Sus. by X602-000020	
3		X602-000020	1	TOOL,WRENCH	17*19 L200		
4		897518-01131	1	LOCKING TOOL			
5		899580-68730	1	SAFETY GLASSES		Sus. by P021-002861	
5		P021-002861	1	GOGGLES			
6		898510-39130	1	BAG, TOOL			
10		P021-002620	1	SHIELD, BLADE(W/KNIFE)			
11	+	C550-000080	1	SHIELD, BLADE			
12	+	C554-000000	1	KNIFE, CORD			
13	+	900252-05012	1	SCREW 5*12	5*12		
16		900565-00005	1	NUT	5		
17		900242-05018	1	SCREW 5*18	5*18		
20		C550-000100	1	SHIELD, BLADE			
21		C550-000090	1	SHIELD, BLADE			
22		699013-56830	1	PLATE, SHIELD			
23		900162-05025	4	BOLT, H.S. 5*25	5*25 W, SW		

6. U-Handle

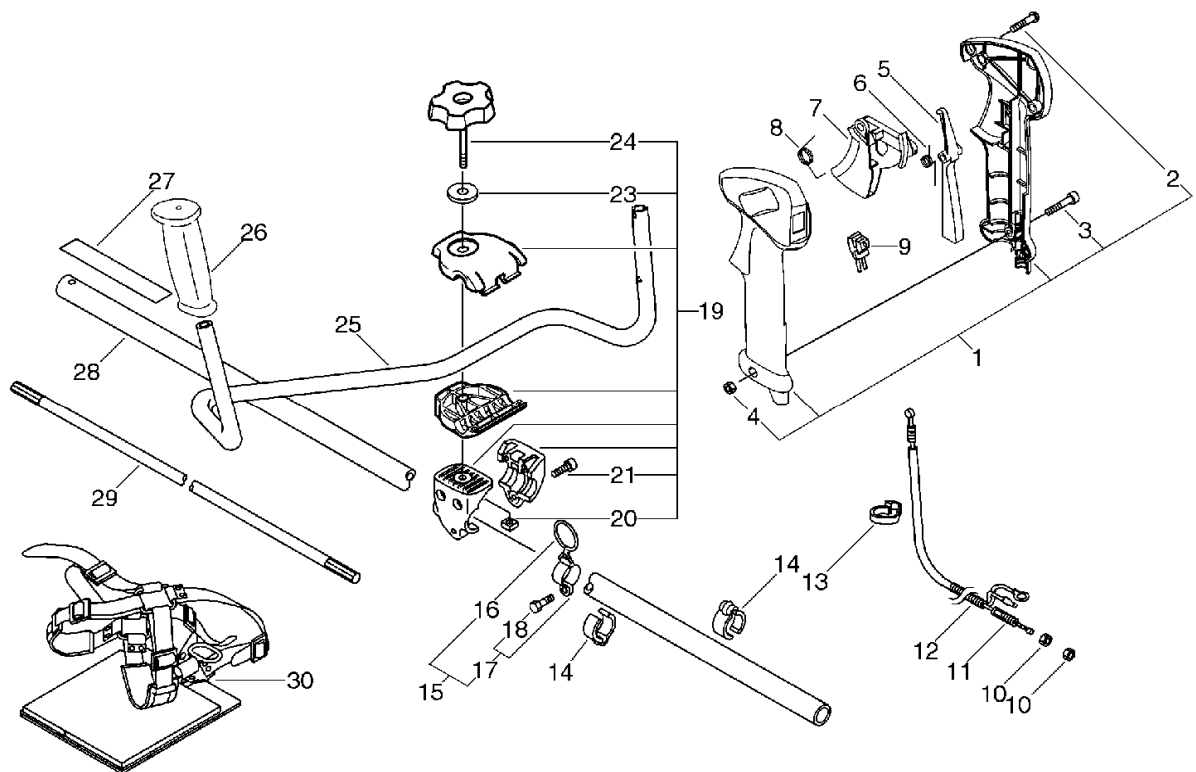
No.6



KEY	LV	PART NUMBER	Q'TY	DESCRIPTION	REMARKS	NOTE1	NOTE2
1		P021-002610	1	GRIP ASY,F-HANDLE			
2	+	900253-04016	3	SCREW 4*16	4*16		
3	+	900220-05030	1	SCREW 5*30	5*30		
4	+	900500-00005	1	NUT 5	5		
5		C460-000010	1	LOCKOUT,THROTTLE		Sus. by C460-000011	
5		C460-000011	1	LOCKOUT,THROTTLE			
6		V452-000050	1	SPRING,TORSION			
7		C450-000020	1	TRIGGER,THROTTLE		Sus. by C450-000022	
7		C450-000021	1	TRIGGER,THROTTLE		Sus. by C450-000022	
7		C450-000022	1	TRIGGER,THROTTLE			
8		V452-000060	1	SPRING,TORSION			
9		163401-49230	1	SWITCH, IGNITION			
10		900502-00006	2	NUT 6 (3N)	3N6		
11		V430-000410	1	CABLE,BOWDEN			
12		178127-47530	1	TUBE	7*10*760		
13		159112-09960	1	CLIP		Sus. by 159112-09961	
13		159112-09961	1	CLIP			
14		224924-52130	2	CLIP	25MM		
15		301200-21330	1	HOOK ASS'Y			
16	+	301015-05330	1	HOOK, BAND			
17	+	301205-21330	1	HOOK			
18	++	900105-05012	1	BOLT, H.S. 5*12	5*12		

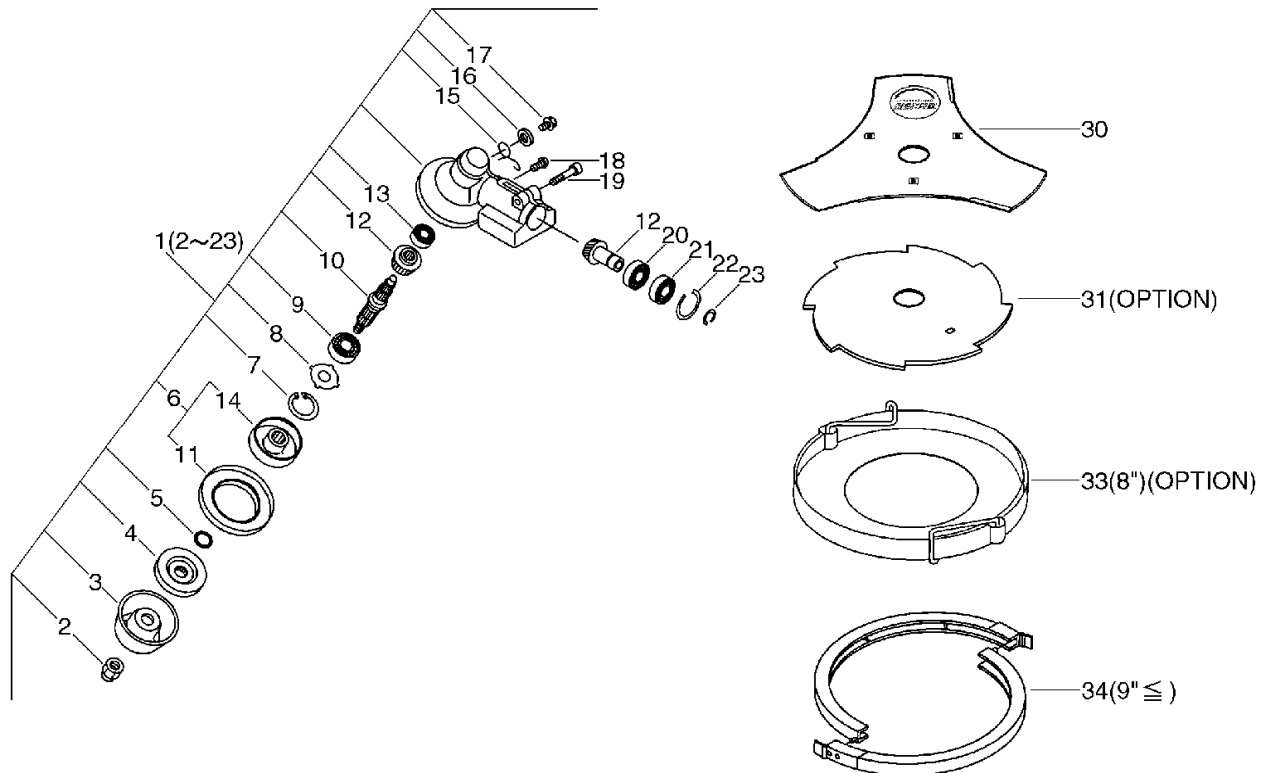
6. U-Handle

No.6



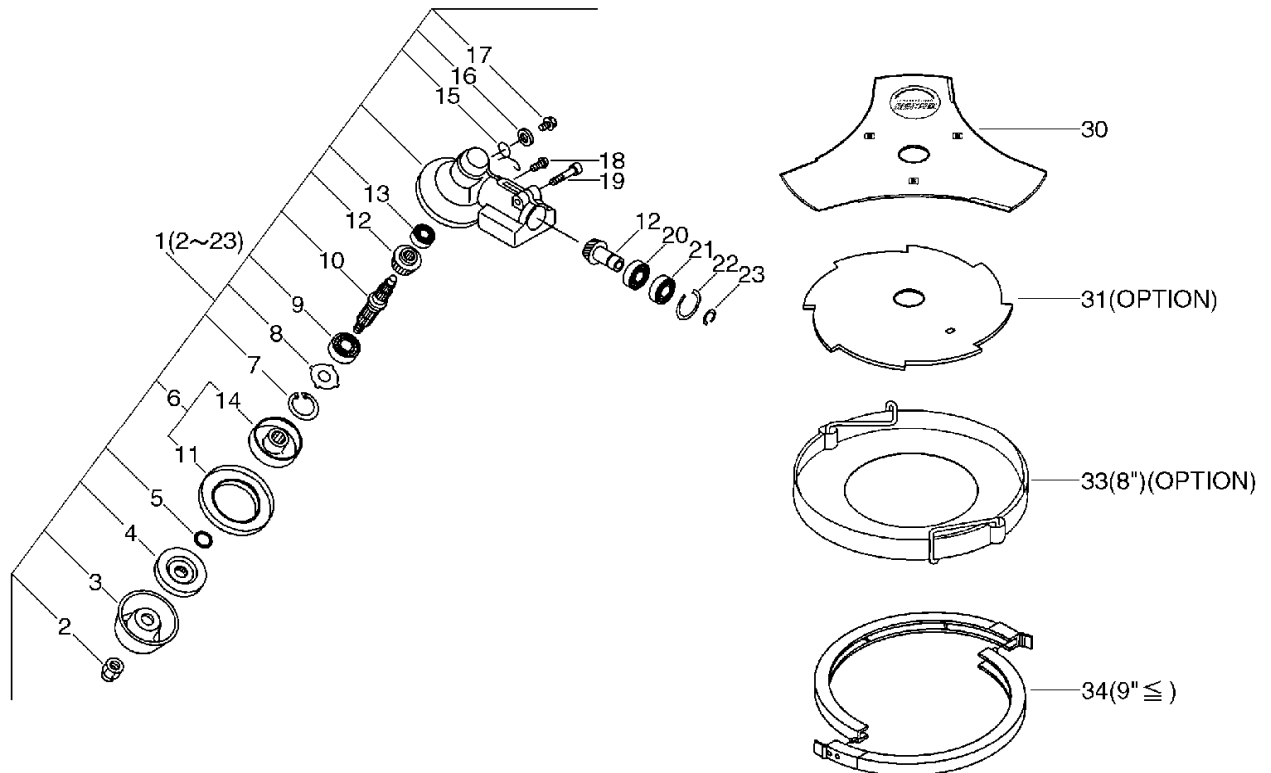
KEY	LV	PART NUMBER	Q'TY	DESCRIPTION	REMARKS	NOTE1	NOTE2
19		P021-002750	1	BRACKET ASY, HANDLE		Sus. by P021-002751	
19		P021-002751	1	BRACKET ASY, HANDLE			
20	+	900565-50008	1	NUT	8*1.25		
21	+	900162-05030	3	BOLT, H.S. 5*30	5*30 W,SW		
23	+	605014-54230	1	WASHER			
24	+	V299-000110	1	KNOB,FASTENER			
25		C400-000000	1	HANDLE,FRONT			
26		C403-000030	1	GRIP,HANDLE		Sus. by C403-000031	
26		C403-000031	1	GRIP,HANDLE			
27		890617-43130	1	LABEL,CAUTION			
28		610206-28230	1	HOUSING ASS'Y D,SFT.			
29		610018-27830	1	SHAFT, DRIVE			
30		301001-56831	1	HARNESS ASY,SHOULDER			

7. Gear Case(U-Handle Type), Blade No.7



KEY	LV	PART NUMBER	Q'TY	DESCRIPTION	REMARKS	NOTE1	NOTE2
1		610400-56831	1	CASE ASY, GEAR		Sus. by 610400-56832	
1		610400-56832	1	CASE ASY, GEAR			
2	+	610320-52130	1	NUT 10			
3	+	699229-56830	1	PLATE, COVER			
4	+	610314-52130	1	PLATE, ADAPTER (L)			
5	+	900720-00012	1	O-RING 12	P-12		
6	+	C535-000000	1	FIXTURE, BLADE		Sus. by C535-000001	
6	+	C535-000001	1	FIXTURE, BLADE			
11	++	610352-56830	1	PLATE, CUP			
14	++	C535-000010	1	FIXTURE, BLADE		Sus. by C535-000011	
14	++	C535-000011	1	FIXTURE, BLADE			
7	+	900702-00032	1	CIRCLIP 32	CR-32		
8	+	610444-56830	1	WASHER			
9	+	900812-06201	1	BEARING, BALL 6201	6201DDU(LLU)		
10	+	610310-56830	1	SHAFT, P.T.O.			
12	+	610300-40830	1	GEAR SET			
13	+	900810-00626	1	BEARING, BALL 626	626		
15	+	610473-52131	1	SPRING			
16	+	900603-50008	1	WASHER	8.5*18*0.8T		
17	+	610434-50030	1	BOLT 8*6		Sus. by 610434-50031	
17	+	610434-50031	1	BOLT 8*8	M8*8		
18	+	900242-05010	1	SCREW 5*10	5*10		

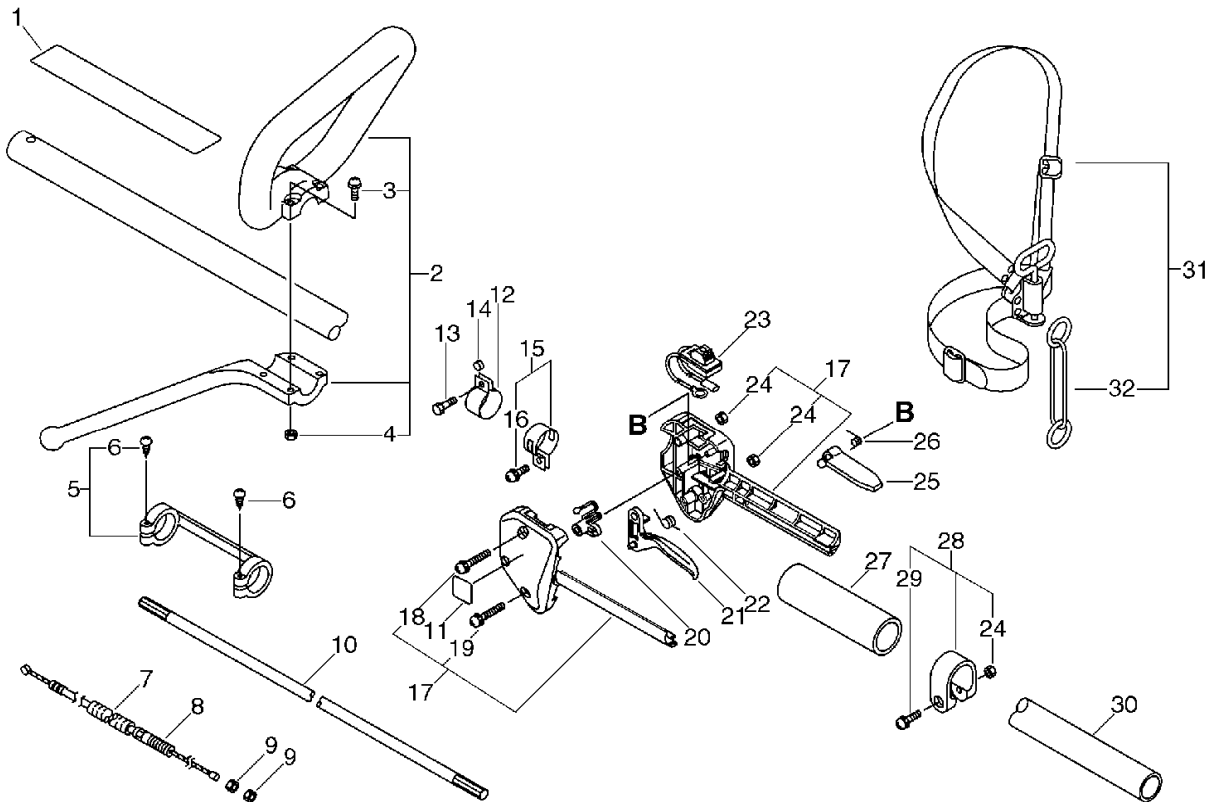
7. Gear Case(U-Handle Type), Blade No.7



KEY	LV	PART NUMBER	Q'TY	DESCRIPTION	REMARKS	NOTE1	NOTE2
19	+	900162-06025	1	BOLT, H.S. 6*25	6*25 W,SW		
20	+	900855-06900	1	BEARING, BALL 6900	6900		
21	+	900858-06900	1	BEARING, BALL 6900Z	6900Z		
22	+	900702-00022	1	CIRCLIP 22	CR-22		
23	+	900706-00010	1	CIRCLIP 10	WR-10		
30		X405-000010	1	SAW,BUSH CUTTER	3*230*25.4*T2.0	Sus. by X405-000011	
30		X405-000011	1	SAW,BUSH CUTTER	3*230*25.4*T2.0		
31		696001-48031	1	BLADE, 8-CUTTER	200*8P*1.8 PD25	OPTION	
33		898503-08030	1	COVER SET, CUTTER		OPTION	
34		898523-47130	1	SCABBARD, BLADE		Sus. by P021-007470	
34		P021-007470	1	SCABBARD, BLADE			

8. Loop Handle

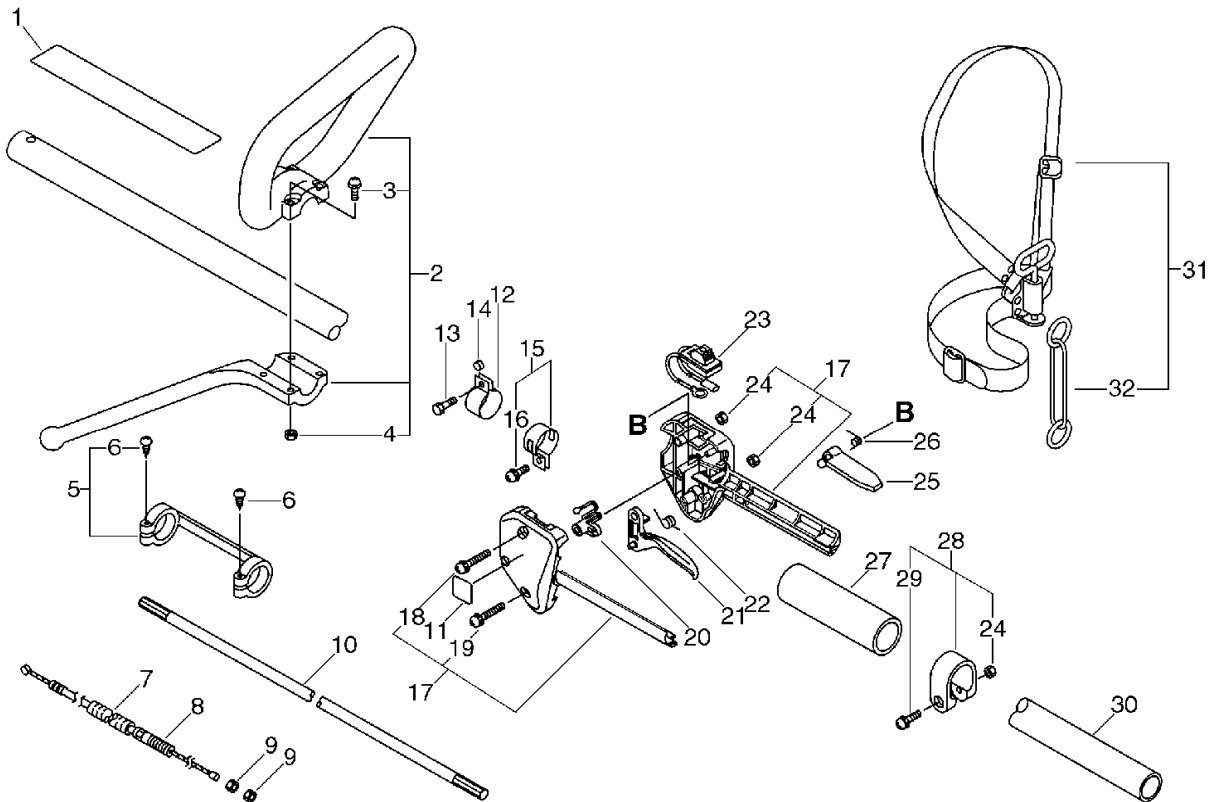
No.8



KEY	LV	PART NUMBER	Q'TY	DESCRIPTION	REMARKS	NOTE1	NOTE2
1		X505-000140	1	LABEL, CAUTION		Sus. by 890617-43130	
1		890617-43130	1	LABEL, CAUTION			
2		351201-54130	1	HANDLE ASSY, LOOP			
3	+	900242-05035	4	SCREW 5*35	5*35		
4	+	900500-00005	4	NUT 5	5		
5		610281-54130	1	COLLER			
6	+	900253-04025	2	SCREW 4*25	4*25		
7		178127-54530	1	TUBE 7*10*130	7*10*130		
8		178001-51030	1	WIRE, THROTTLE			
9		900502-00006	2	NUT 6 (3N)	3N6		
10		610018-27830	1	SHAFT, DRIVE			
11		890157-39130	1	LABEL, SWITCH			
12		301207-08930	1	HOOK			
13		900100-05018	1	BOLT 5*18	5*18		
14		699012-03330	1	SPACER			
15		301200-29430	1	BAND ASSY			
16	+	900242-05014	1	SCREW 5*14	5*14		
17		178003-52130	1	BRACKET SET, THROTTLE			
18	+	900242-05035	1	SCREW 5*35	5*35		
19	+	900242-05025	1	SCREW 5*25	5*25		
24	+	900500-00005	2	NUT 5	5		
20		178012-52630	1	LOCKOUT, THROTTLE			
21		178010-52130	1	CONTROL, THROTTLE			
22		178043-42230	1	SPRING, THR. RETURN			
23		163400-49230	1	SWITCH, IGNITION			

8. Loop Handle

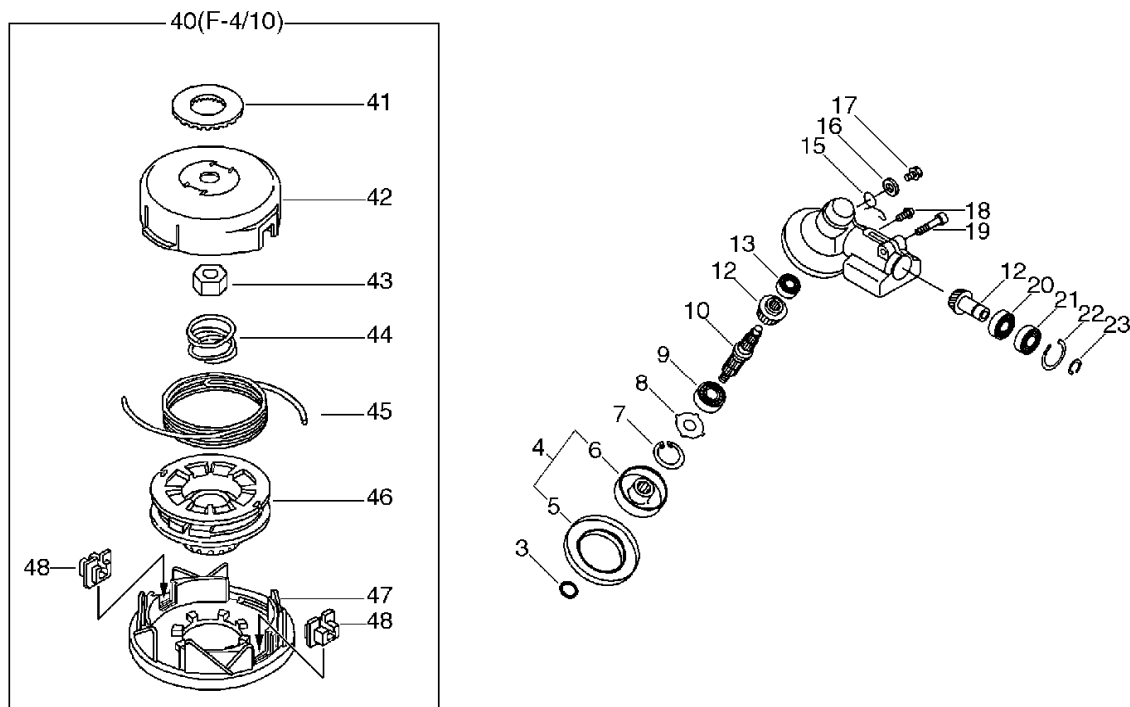
No.8



KEY	LV	PART NUMBER	Q'TY	DESCRIPTION	REMARKS	NOTE1	NOTE2
25		178090-52630	1	LOCKOUT, T. CONTROL		Sus. by 178090-52632	
25		178090-52631	1	LOCKOUT, T. CONTROL		Sus. by 178090-52632	
25		178090-52632	1	LOCKOUT, T. CONTROL			
26		178013-52630	1	SPRING, THR. LOCK			
27		351213-52130	1	GRIP		Sus. by C403-000140	
27		C403-000140	1	GRIP, HANDLE	L129,5*28		
28		610272-52130	1	BAND			
24	+	900500-00005	1	NUT 5	5		
29	+	900242-05028	1	SCREW 5*28	5*28		
30		610206-28230	1	HOUSING ASS'Y D,SFT.			
31		301000-55230	1	HARNES ASSY		Sus. by 301000-55231	
31		301000-55231	1	HARNES ASY,SHOULDER		Disuse	
32	+	301305-24330	1	LINK			

9. Gear Case(Loop Handle Type), Nylon Line Cutting Head

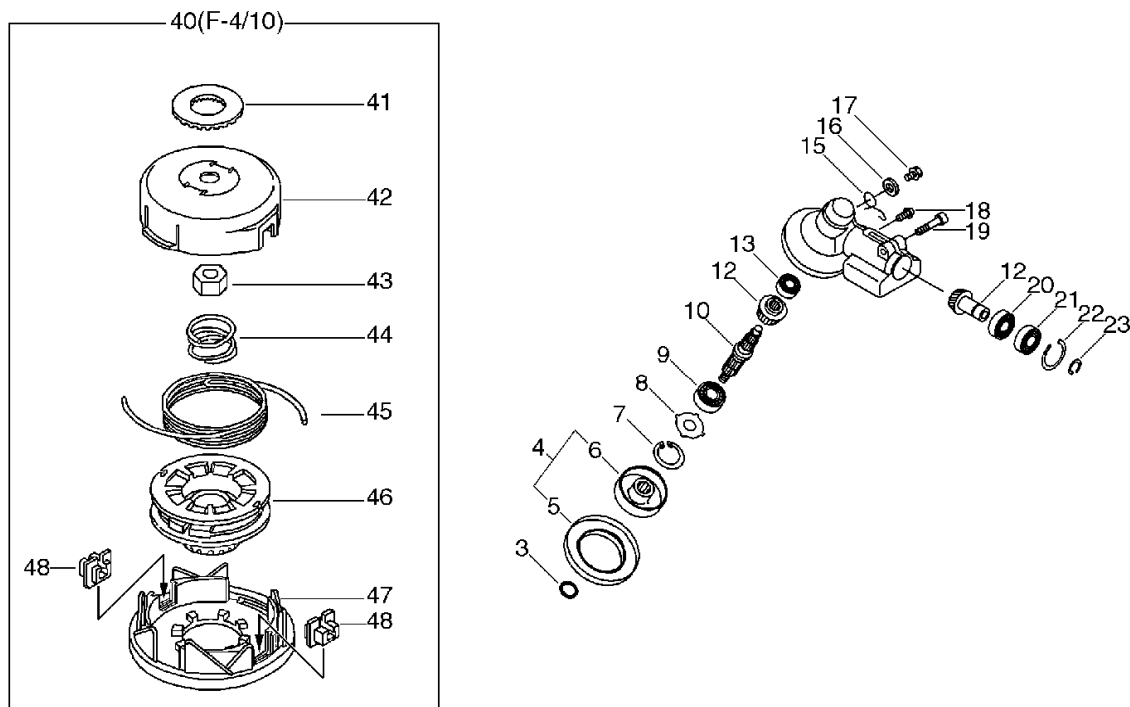
No.9



KEY	LV	PART NUMBER	Q'TY	DESCRIPTION	REMARKS	NOTE1	NOTE2
3		900720-00012	1	O-RING 12	P-12		
4		C535-000000	1	FIXTURE, BLADE		Sus. by C535-000001	
4		C535-000001	1	FIXTURE, BLADE			
5	+	610352-56830	1	PLATE, CUP			
6	+	C535-000010	1	FIXTURE, BLADE		Sus. by C535-000011	
6	+	C535-000011	1	FIXTURE, BLADE			
7		900702-00032	1	CIRCLIP 32	CR-32		
8		610444-56830	1	WASHER			
9		900812-06201	1	BEARING, BALL 6201	6201DDU(LLU)		
10		610310-56830	1	SHAFT, P.T.O.			
12		610300-40830	1	GEAR SET			
13		900810-00626	1	BEARING, BALL 626	626		
15		610473-52131	1	SPRING			
16		900603-50008	1	WASHER	8.5*18*0.8T		
17		610434-50030	1	BOLT 8*6		Sus. by 610434-50031	
17		610434-50031	1	BOLT 8*8	M8*8		
18		900242-05010	1	SCREW 5*10	5*10		
19		900162-06025	1	BOLT, H.S. 6*25	6*25 W, SW		
20		900855-06900	1	BEARING, BALL 6900	6900		
21		900858-06900	1	BEARING, BALL 6900Z	6900Z		
22		900702-00022	1	CIRCLIP 22	CR-22		
23		900706-00010	1	CIRCLIP 10	WR-10		

9. Gear Case(Loop Handle Type), Nylon Line Cutting Head

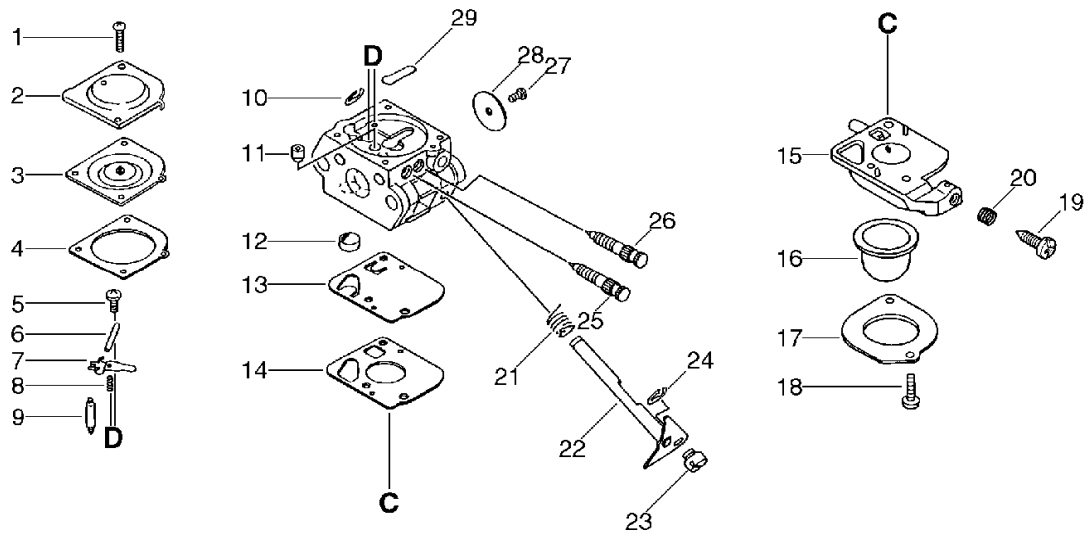
No.9



KEY	LV	PART NUMBER	Q'TY	DESCRIPTION	REMARKS	NOTE1	NOTE2
40		X047-000150	1	CUTTER,ASM LINE	F4/10 M10L	Sus. by X047-000260	
40		X047-000151	1	CUTTER,ASM LINE	F4/10 M10L	Sus. by X047-000260	
40		X047-000260	1	CUTTER,ASM LINE	F4/10 M10L	F-4/10	
41	+	V332-000000	1	WASHER,CIRCULAR 24			
42	+	P022-002890	1	HOUSING		Sus. by P022-003310	
42	+	P022-003310	1	HOUSING			
43	+	P022-001220	1	NUT			
44	+	P022-001250	1	SPRING	DS-3/10		
45	+	P022-001230	1	NYLON CODE		Sus. by P022-006190	
45	+	P022-006190	1	NYLON CODE	3.0*2M		
46	+	P022-001260	1	BOBBIN	DS-3/10		
47	+	P022-002860	1	COVER		Sus. by P022-003330	
47	+	P022-003330	1	COVER			
48	+	P022-000710	2	EYELET	T4		

10. Carburetor

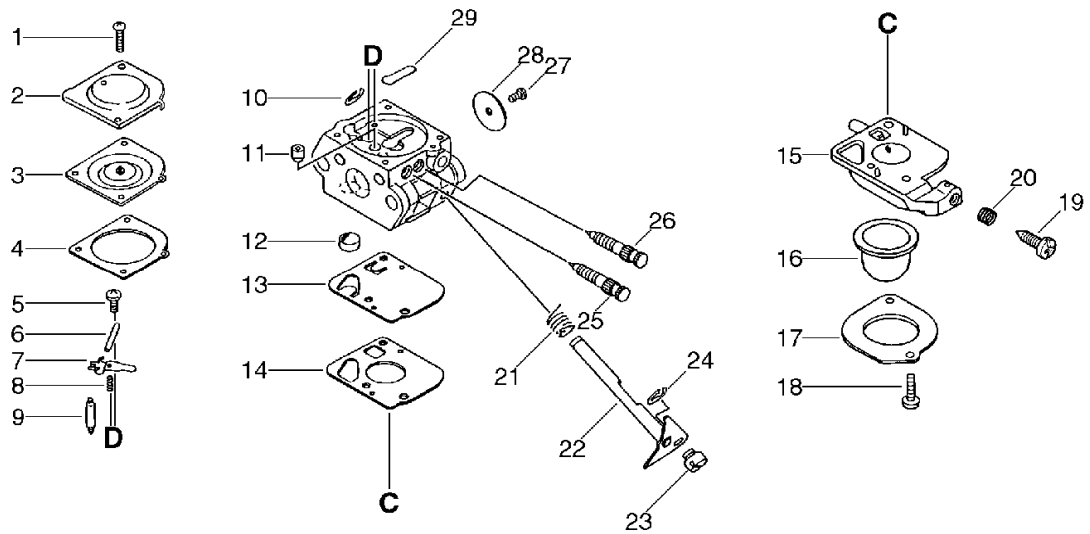
No.10



KEY	LV	PART NUMBER	Q'TY	DESCRIPTION	REMARKS	NOTE1	NOTE2
		125200-52431	1	CARBURETOR	C1U-K53	Sus. by 125200-52433	
		125200-52432	1	CARBURETOR	C1U-K53A	Sus. by 125200-52433	
		125200-52433	1	CARBURETOR	C1U-K53B		
1	+	125344-52130	2	SCREW			
2	+	125342-13210	1	COVER, DIAPHRAGM		Sus. by 125342-52130	
2	+	125342-52130	1	COVER, DIAPHRAGM			
3	+	125341-49030	1	DIAPHRAGM			
4	+	125340-51030	1	GASKET, DIAPHRAGM			
5	+	125339-42030	1	SCREW			
6	+	125338-13930	1	PIN, METERING ARM			
7	+	125323-42030	1	LEVER, METERING			
8	+	125322-42030	1	SPRING, COIL		Sus. by 125322-11520	
8	+	125322-11520	1	SPRING, COIL			
9	+	125337-06960	1	VALVE, INLET NEEDLE			
10	+	125327-15130	1	CLIP			
11	+	125376-49030	1	NOZZLE, CHACK VALVE		Sus. by P005-001050	
11	+	P005-001050	1	NOZZLE, CHECK VALVE			
12	+	125326-42030	1	STRAINER			
13	+	125312-12820	1	DIAPHRAGM, FUEL PUMP			
14	+	125325-13310	1	GASKET, PUMP			
15	+	P005-000590	1	BASE, ASY PRIMER			

10. Carburetor

No.10



KEY	LV	PART NUMBER	Q'TY	DESCRIPTION	REMARKS	NOTE1	NOTE2
16	+	125381-08660	1	PUMP, PRIMING			
17	+	125363-11610	1	RING			
18	+	125310-11610	2	SCREW			
19	+	125334-06960	1	SCREW, THROTTLE ADJUST			
20	+	125333-06960	1	SPRING, IDLE ADJUSTER			
21	+	125313-42030	1	SPRING, THRT. RETURN			
22	+	P005-000390	1	SHAFT, THROTTLE			
23	+	125372-42030	1	SWIVEL			
24	+	125327-13930	1	CLIP			
25	+	125320-52430	1	NEEDLE, HIGH SPEED		Can be used on 125200- 52431,52432	
25	+	P005-001710	1	SCREW, MAIN MIXTURE		Can be used on 125200-52433	
26	+	125318-52430	1	NEEDLE, IDLE			
27	+	125314-13930	1	SCREW	3*4		
28	+	125316-49030	1	VALVE, THROTTLE			
29	+	125345-15130	1	PLUG, WELCH			

11. Repair Kit

KEY	LV	PART NUMBER	Q'TY	DESCRIPTION	REMARKS	NOTE1	NOTE2
		125303-13310	1	DIAPHRAGM/GASKET KIT			
10-3	+	125341-49030	1	DIAPHRAGM			
10-4	+	125340-51030	1	GASKET, DIAPHRAGM			
10-13	+	125312-12820	1	DIAPHRAGM, FUEL PUMP			
10-14	+	125325-13310	1	GASKET, PUMP			
		125300-13310	1	REBUILD KIT		Can be used on P005-001810	
		P005-001810	1	REBUILD KIT			
10-3	+	125341-49030	1	DIAPHRAGM			
10-4	+	125340-51030	1	GASKET, DIAPHRAGM			
10-6	+	125338-13930	1	PIN, METERING ARM			
10-7	+	125323-42030	1	LEVER, METERING			
10-8	+	125322-42030	1	SPRING, COIL		Can be used on 125322-11520	
10-8	+	125322-11520	1	SPRING, COIL			
10-9	+	125337-06960	1	VALVE, INLET NEEDLE			
10-12	+	125326-42030	1	STRAINER			
10-13	+	125312-12820	1	DIAPHRAGM, FUEL PUMP			
10-14	+	125325-13310	1	GASKET, PUMP			
10-29	+	125345-15130	1	PLUG, WELCH			

Index

Patrs Number	Key No.	Patrs Number	Key No.	Patrs Number	Key No.
100000-48732	1 - 4	125334-06960	10 - 19	159011-03432	2 - 12
100011-05330	1 - 5	125337-06960	10 - 9	159012-01620	2 - 11
100012-51230	1 - 10	125337-06960	11 - 10-9	159017-10230	2 - 13
100013-11520	1 - 6	125338-13930	10 - 6	159112-09960	6 - 13
100014-11520	1 - 8	125338-13930	11 - 10-6	159112-09961	6 - 13
100015-04630	1 - 7	125339-42030	10 - 5	162010-52830	2 - 10
100100-44733	1 - 9	125340-51030	10 - 4	163400-49230	8 - 23
100204-52130	1 - 11	125340-51030	11 - 10-4	163401-49230	6 - 9
100204-52131	1 - 11	125340-51030	11 - 10-4	175000-52130	2 - 6
100204-52132	1 - 11	125341-49030	10 - 3	175000-52131	2 - 6
100212-42030	1 - 12	125341-49030	11 - 10-3	175005-46730	2 - 5
100212-42031	1 - 12	125341-49030	11 - 10-3	175053-04920	2 - 1
100215-03930	1 - 13	125342-13210	10 - 2	177202-12220	2 - 20
100242-42030	1 - 15	125342-52130	10 - 2	177214-02830	2 - 44
101010-44332	1 - 3	125344-52130	10 - 1	177218-44330	2 - 23
101011-06562	1 - 1	125345-15130	10 - 29	177226-10120	2 - 36
101511-44630	1 - 17	125345-15130	11 - 10-29	177227-42030	2 - 28
101514-42031	1 - 19	125363-11610	10 - 17	177228-27030	2 - 27
125200-52431	10 -	125372-42030	10 - 23	177234-12220	2 - 22
125200-52431	3 - 6	125376-49030	10 - 11	178001-51030	8 - 8
125200-52432	10 -	125381-08660	10 - 16	178003-52130	8 - 17
125200-52432	3 - 6	130010-42032	3 - 1	178010-52130	8 - 21
125200-52433	10 -	130016-42031	3 - 5	178012-52630	8 - 20
125200-52433	3 - 6	130017-42031	3 - 4	178013-52630	8 - 26
125300-13310	11 -	130111-00530	4 - 8	178043-42230	8 - 22
125303-13310	11 -	130301-42030	3 - 8	178090-52630	8 - 25
125310-11610	10 - 18	130310-46730	3 - 13	178090-52631	8 - 25
125312-12820	10 - 13	130319-42030	3 - 7	178090-52632	8 - 25
125312-12820	11 - 10-13	131004-55530	4 - 4	178127-47530	6 - 12
125312-12820	11 - 10-13	131005-44331	4 - 1	178127-54530	8 - 7
125313-42030	10 - 21	131005-44332	4 - 1	178515-46731	3 - 10
125314-13930	10 - 27	131016-55830	4 - 5	178516-00830	3 - 11
125316-49030	10 - 28	131051-56030	4 - 6	178810-42030	3 - 9
125318-52430	10 - 26	131205-07320	4 - 12	224924-52130	6 - 14
125320-52430	10 - 25	131300-56430	4 - 7	301000-55230	8 - 31
125322-11520	10 - 8	131312-44330	4 - 9	301000-55231	8 - 31
125322-11520	11 - 10-8	132010-13930	4 - 14	301001-56831	6 - 30
125322-42030	10 - 8	132010-56330	4 - 13	301015-05330	6 - 16
125322-42030	11 - 10-8	132013-09820	4 - 11	301200-21330	6 - 15
125323-42030	10 - 7	132115-46730	4 - 10	301200-29430	8 - 15
125323-42030	11 - 10-7	145631-42030	3 - 21	301205-21330	6 - 17
125325-13310	10 - 14	145642-04930	3 - 22	301207-08930	8 - 12
125325-13310	11 - 10-14	145863-42030	3 - 18	301305-24330	8 - 32
125325-13310	11 - 10-14	145866-42031	3 - 17	305110-42030	4 - 3
125326-42030	10 - 12	145876-42030	3 - 19	351201-54130	8 - 2
125326-42030	11 - 10-12	150112-42030	2 - 14	351213-52130	8 - 27
125327-13930	10 - 24	156601-52130	2 - 8	605014-54230	6 - 23
125327-15130	10 - 10	156801-44731	2 - 7	610018-27830	6 - 29
125333-06960	10 - 20	159010-10230	2 - 13	610018-27830	8 - 10

Index

Patrs Number	Key No.	Patrs Number	Key No.	Patrs Number	Key No.
610206-28230	6 - 28	900162-06025	7 - 19	900814-06201	2 - 3
610206-28230	8 - 30	900162-06025	9 - 19	900855-06900	7 - 20
610272-52130	8 - 28	900220-05030	6 - 3	900855-06900	9 - 20
610281-54130	8 - 5	900238-04012	1 - 20	900858-06900	7 - 21
610300-40830	7 - 12	900238-04016	1 - 18	900858-06900	9 - 21
610300-40830	9 - 12	900238-05020	3 - 3	94035-36201	1 - 14
610310-56830	7 - 10	900242-04010	3 - 20	A051-000183	2 - 26
610310-56830	9 - 10	900242-05010	7 - 18	A051-000184	2 - 26
610314-52130	7 - 4	900242-05010	9 - 18	A051-000185	2 - 26
610320-52130	7 - 2	900242-05014	8 - 16	A051-000186	2 - 26
610352-56830	7 - 11	900242-05018	5 - 17	A053-000010	2 - 39
610352-56830	9 - 5	900242-05025	8 - 19	A053-000011	2 - 39
610400-56831	7 - 1	900242-05028	8 - 29	A320-000250	3 - 21
610400-56832	7 - 1	900242-05035	8 - 3	A320-000251	3 - 21
610434-50030	7 - 17	900242-05035	8 - 18	A503-000010	2 - 29
610434-50030	9 - 17	900242-05057	3 - 12	A504-000000	2 - 31
610434-50031	7 - 17	900243-05016	4 - 2	A504-000001	2 - 31
610434-50031	9 - 17	900252-05012	5 - 13	A506-000010	2 - 35
610444-56830	7 - 8	900253-04016	6 - 2	A514-000010	2 - 37
610444-56830	9 - 8	900253-04025	8 - 6	A520-000001	2 - 43
610473-52131	7 - 15	900253-05020	2 - 25	A520-000002	2 - 43
610473-52131	9 - 15	900500-00005	3 - 2	C400-000000	6 - 25
696001-48031	7 - 31	900500-00005	6 - 4	C403-000030	6 - 26
699012-03330	8 - 14	900500-00005	8 - 4	C403-000031	6 - 26
699013-56830	5 - 22	900500-00005	8 - 24	C403-000140	8 - 27
699229-56830	7 - 3	900500-00005	8 - 24	C450-000020	6 - 7
890157-39130	8 - 11	900502-00006	6 - 10	C450-000021	6 - 7
890169-47530	3 - 14	900502-00006	8 - 9	C450-000022	6 - 7
890617-43130	6 - 27	900565-00005	5 - 16	C460-000010	6 - 5
890617-43130	8 - 1	900565-50008	6 - 20	C460-000011	6 - 5
895112-00330	5 - 2	900600-00005	1 - 23	C535-000000	7 - 6
895410-08030	5 - 3	900600-00005	3 - 22	C535-000000	9 - 4
895610-00130	5 - 1	900603-50008	7 - 16	C535-000001	7 - 6
897518-01131	5 - 4	900603-50008	9 - 16	C535-000001	9 - 4
898503-08030	7 - 33	900605-00005	1 - 24	C535-000010	7 - 14
898510-39130	5 - 6	900701-00012	2 - 2	C535-000010	9 - 6
898523-47130	7 - 34	900702-00022	7 - 22	C535-000011	7 - 14
899580-68730	5 - 5	900702-00022	9 - 22	C535-000011	9 - 6
900100-05018	8 - 13	900702-00032	2 - 4	C550-000080	5 - 11
900105-05012	2 - 45	900702-00032	7 - 7	C550-000090	5 - 21
900105-05012	6 - 18	900702-00032	9 - 7	C550-000100	5 - 20
900105-05055	3 - 23	900706-00010	7 - 23	C554-000000	5 - 12
900151-05025	1 - 25	900706-00010	9 - 23	P005-000390	10 - 22
900162-04016	2 - 48	900720-00012	7 - 5	P005-000590	10 - 15
900162-04022	2 - 9	900720-00012	9 - 3	P005-001050	10 - 11
900162-05022	1 - 2	900810-00626	7 - 13	P005-001710	10 - 25
900162-05025	5 - 23	900810-00626	9 - 13	P005-001810	11 -
900162-05028	1 - 16	900812-06201	7 - 9	P021-000050	3 - 15
900162-05030	6 - 21	900812-06201	9 - 9	P021-002411	2 - 40

Index

Patrs Number	Key No.	Patrs Number	Key No.	Patrs Number	Key No.
P021-002412	2 - 40				
P021-002610	6 - 1				
P021-002620	5 - 10				
P021-002750	6 - 19				
P021-002751	6 - 19				
P021-002861	5 - 5				
P021-004030	2 - 40				
P021-007470	7 - 34				
P022-000710	9 - 48				
P022-001220	9 - 43				
P022-001230	9 - 45				
P022-001250	9 - 44				
P022-001260	9 - 46				
P022-002860	9 - 47				
P022-002890	9 - 42				
P022-003310	9 - 42				
P022-003330	9 - 47				
P022-006190	9 - 45				
V104-000160	3 - 16				
V253-000060	2 - 45				
V299-000110	6 - 24				
V332-000000	9 - 41				
V355-000080	2 - 32				
V376-000160	2 - 47				
V430-000410	6 - 11				
V450-000130	2 - 38				
V452-000050	6 - 6				
V452-000060	6 - 8				
V471-001190	4 - 14				
V471-001200	4 - 9				
V553-000010	1 - 10				
V553-000030	1 - 10				
V641-000040	2 - 33				
X047-000150	9 - 40				
X047-000151	9 - 40				
X047-000260	9 - 40				
X405-000010	7 - 30				
X405-000011	7 - 30				
X502-000030	2 - 50				
X502-000031	2 - 50				
X502-000032	2 - 50				
X505-000140	8 - 1				
X505-000620	2 - 51				
X543-000040	1 - 21				
X602-000020	5 - 3				

YAMABIKO CORPORATION

7-2 SUEHIROCHO 1-CHOME, OHME, TOKYO 198-8760, JAPAN
PHONE: 81-428-32-6118. FAX: 81-428-32-6145.

ECHO®



015S
No.