



PARTS CATALOG

BACKPACK BRUSHCUTTER

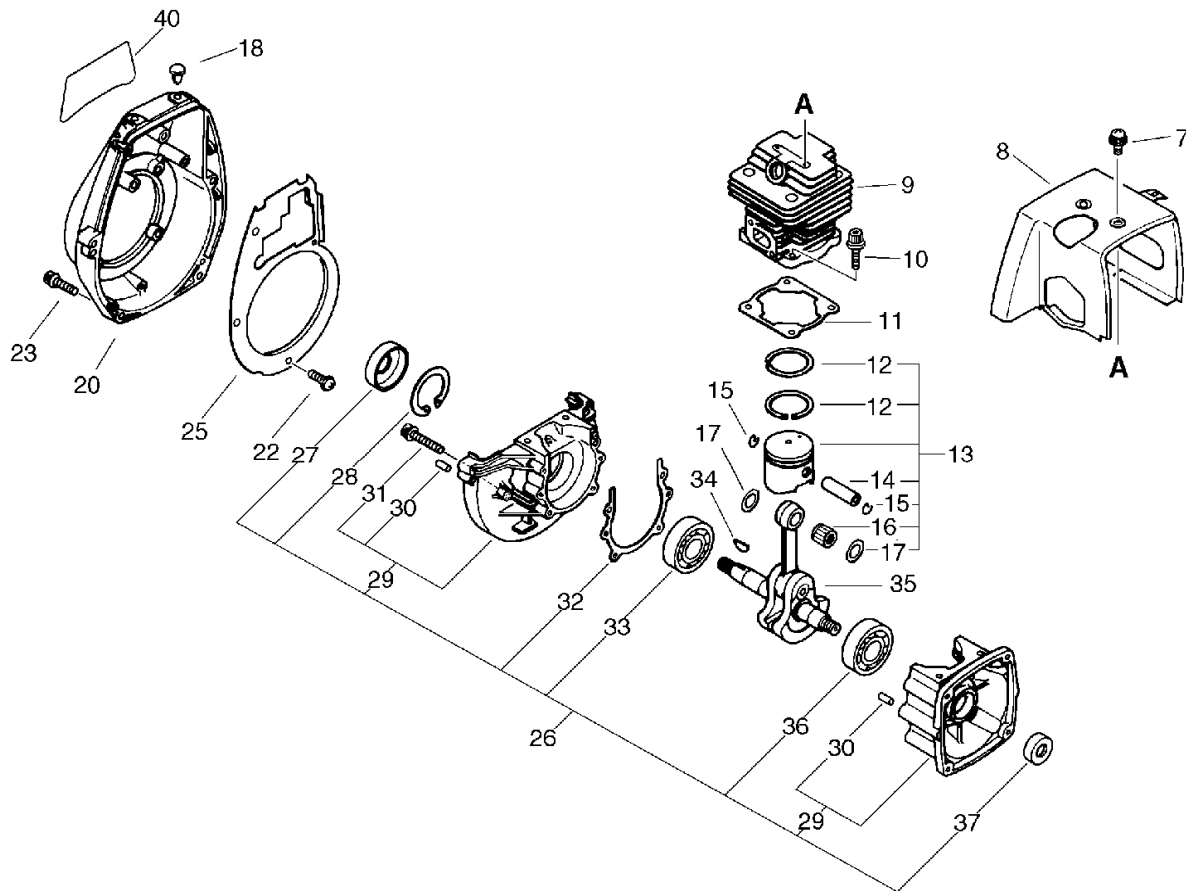
RM-380,460



RM-380,460

1. Cylinder, Crankcase, Piston, Fan Cover

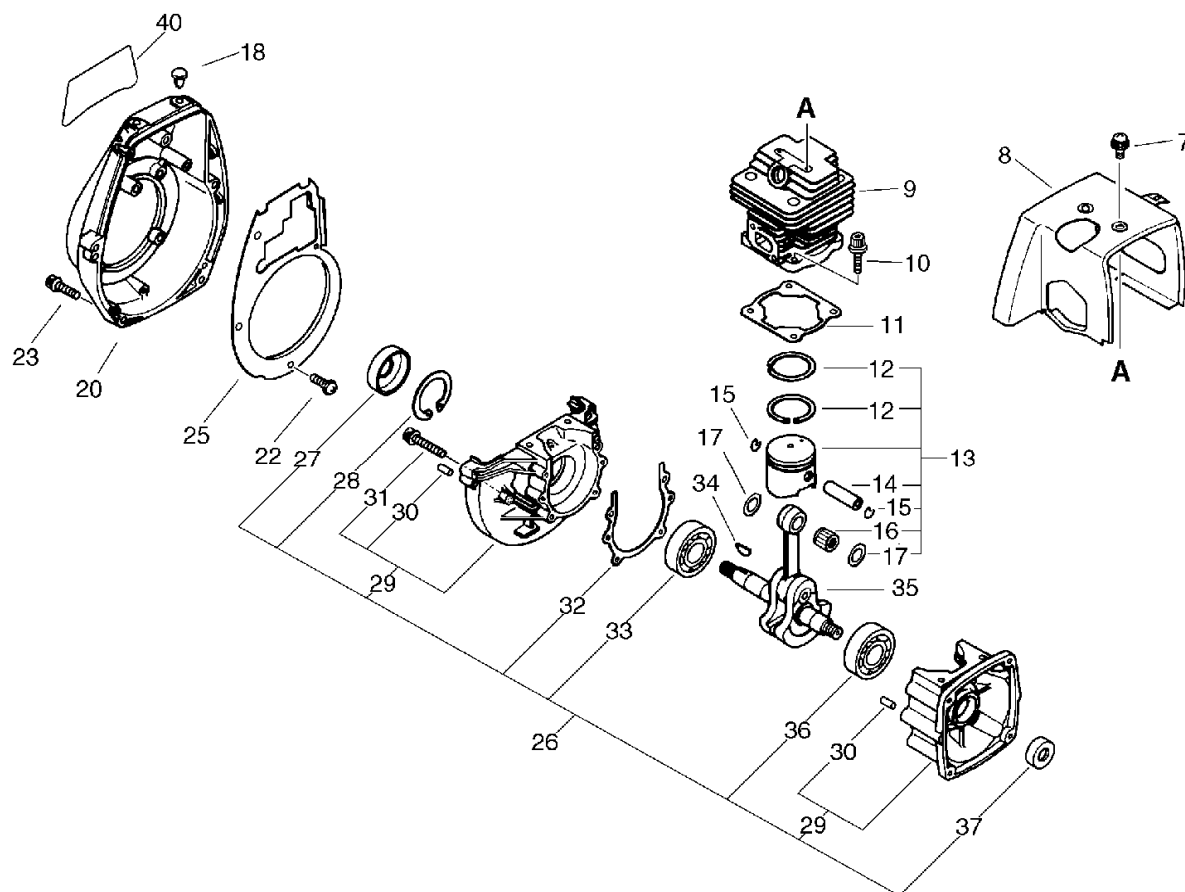
No.1



KEY	LV	PART NUMBER	Q'TY	DESCRIPTION	REMARKS	NOTE1	NOTE2
7		900238-05010	2	SCREW 5*10	5*10		
8		101514-42230	1	COVER, CYLINDER (BS)			
9		101011-43130	1	CYLINDER		RM-380	
9		101011-43230	1	CYLINDER		RM-460	
10		900162-05020	4	BOLT, H.S. 5*20	5*20 W,SW		
11		101010-42231	1	GASKET, CYL. BASE			
13		100000-43130	1	PISTON KIT		Sus. by 100000-43131	
13		100000-43131	1	PISTON KIT		RM-380	
13		100000-43230	1	PISTON KIT		Sus. by 100000-43231	
13		100000-43231	1	PISTON KIT		RM-460	
12	+	100011-42230	2	RING, PISTON		RM-380	
12	+	100011-43230	2	RING, PISTON		RM-460	
14	+	100013-00410	1	PIN, PISTON	6*10*29.8		
15	+	100015-00120	2	CIRCLIP, PISTON PIN			
16	+	100012-12331	1	BEARING, NEEDLE			
17	+	100014-17330	2	SPACER, PISTON PIN		Sus. by V307-000050	
17	+	V307-000050	2	WASHER,CIRCULAR 10			
18		880517-40030	1	PLUG			
20		101511-42230	1	COVER, FAN (BS)			
22		900238-04010	4	SCREW 4*10	4*10		
23		900162-05025	4	BOLT, H.S. 5*25	5*25 W,SW		
25		101534-42230	1	PLATE, GUIDE			
26		100204-42230	1	CRANKCASE KIT			

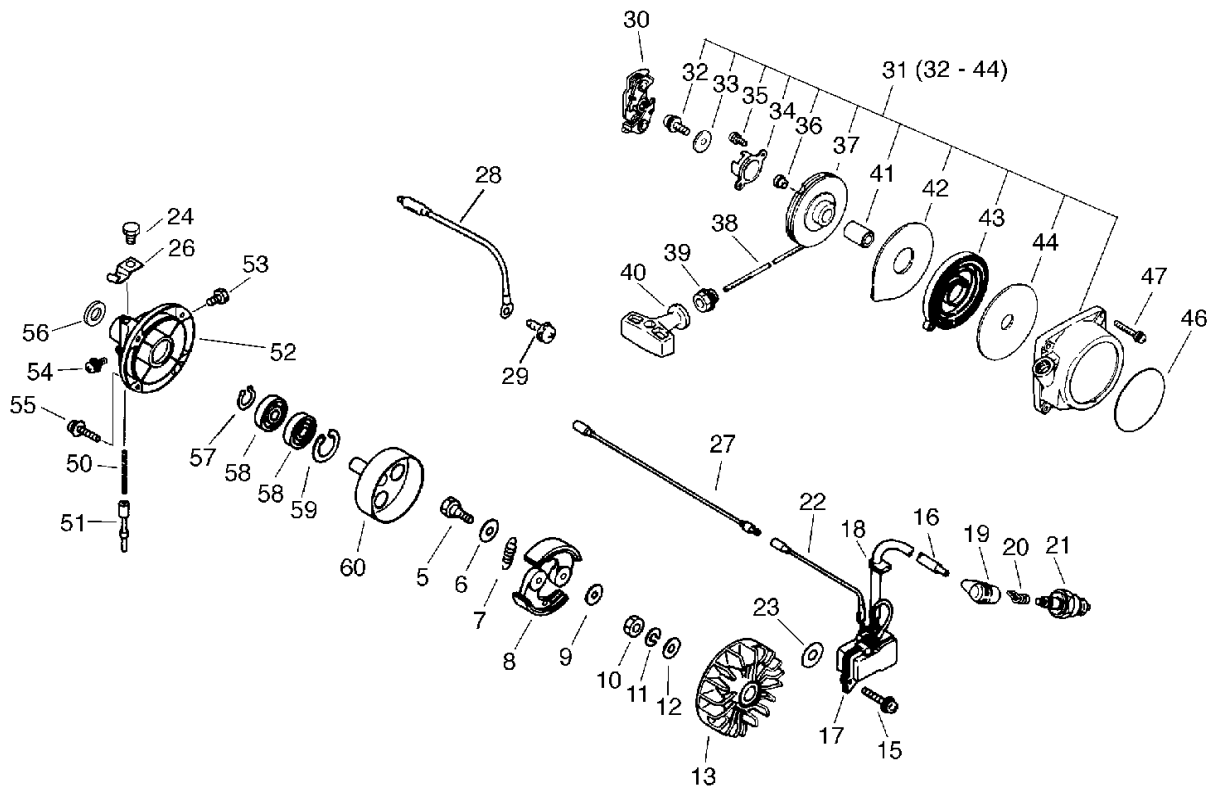
1. Cylinder, Crankcase, Piston, Fan Cover

No.1



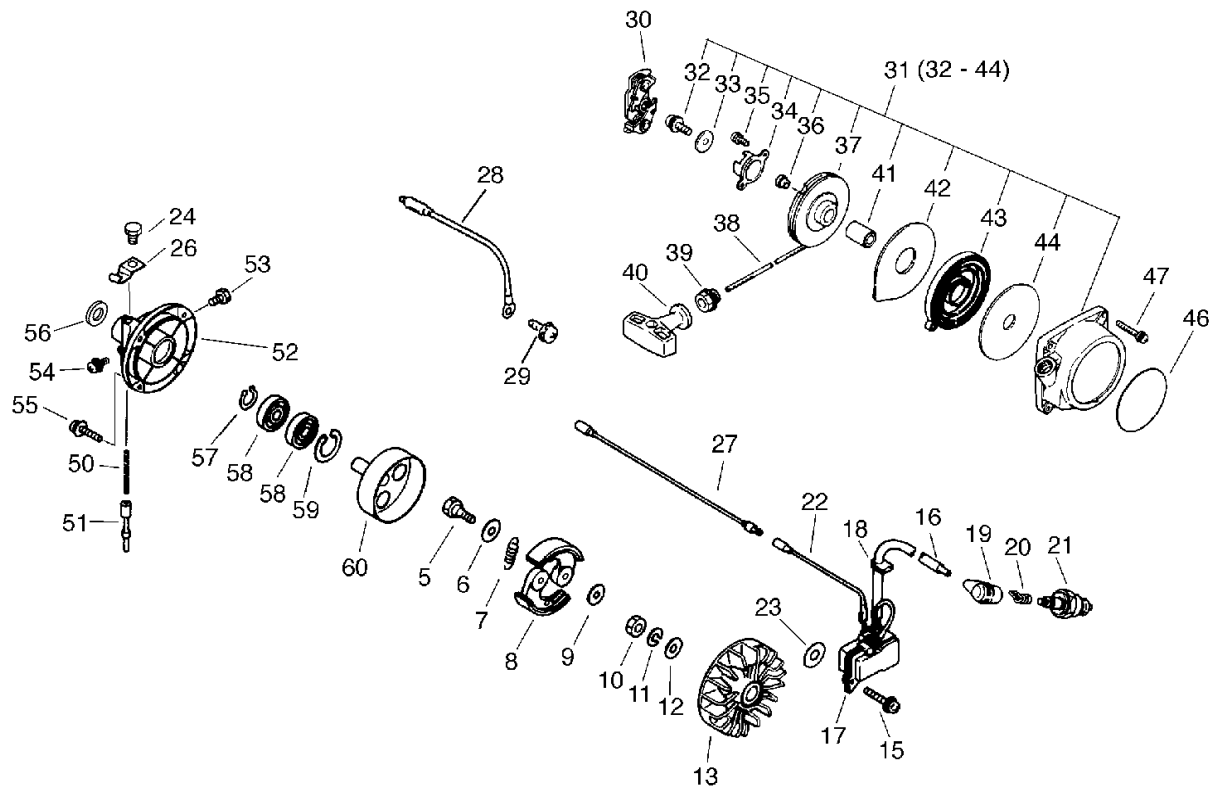
KEY	LV	PART NUMBER	Q'TY	DESCRIPTION	REMARKS	NOTE1	NOTE2
27	+	100213-02830	1	OILSEAL	ISMx15,35,6		
28	+	900702-00035	1	CIRCLIP 35	CR-35		
29	+	100200-42230	1	CRANKCASE SET			
30	++	100215-02830	4	PIN, DOWEL			
31	++	900162-05030	4	BOLT, H.S. 5*30	5*30 W,SW		
32	+	100242-42230	1	GASKET, CRANKCASE			
33	+	900810-36202	1	BEARING, BALL 6202	6202/C3		
36	+	900810-36201	1	BEARING, BALL 6201	6201/C3	Sus. by 94035-36201	
36	+	94035-36201	1	BEARING BALL	6201X3JR2C3		
37	+	100212-27930	1	OILSEAL	ISD 12 25 7		
34		100142-12330	1	KEY, WOODRUFF			
35		100100-43130	1	CRANKSHAFT ASSY			
40		890115-42230	1	LABEL, MODEL		RM-380	
40		890112-51630	1	LABEL, MODEL		RM-460	

2. Starter, Magneto, Clutch



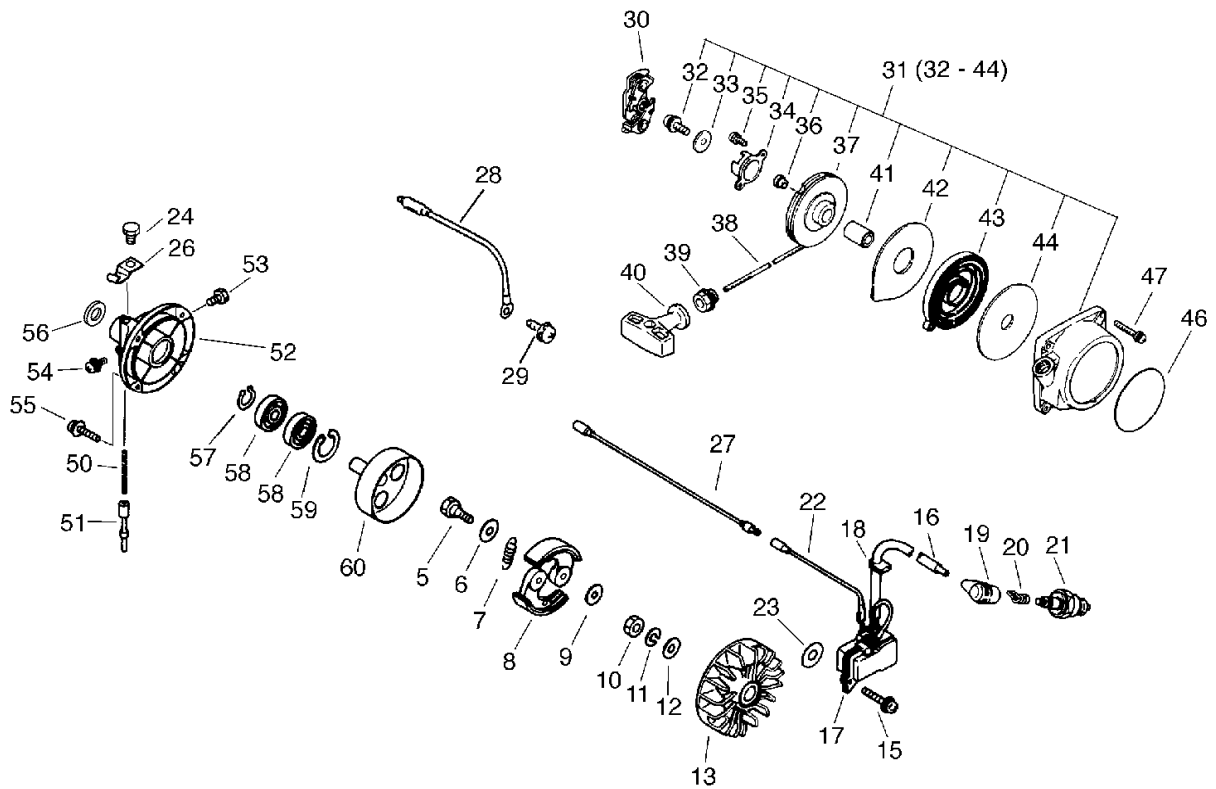
KEY	LV	PART NUMBER	Q'TY	DESCRIPTION	REMARKS	NOTE1	NOTE2
5		175046-06230	2	BOLT, CLUTCH			
6		175048-03920	2	WASHER			
7		175018-42230	1	SPRING, CLUTCH			
8		175009-42231	2	SHOE, CLUTCH			
9		175049-03920	2	WASHER			
10		900503-00010	1	NUT 10 (3N *1.25)	3N10*P1.25		
11		900605-00010	1	WASHER, SPRING 10	10		
12		900600-00010	1	WASHER 10	10		
13		156801-42230	1	FLYWHEEL			
15		900238-05020	2	SCREW 5*20	5*20		
16		178127-46630	1	TUBE	10*11*70		
17		156626-42230	1	COIL, IGNITION		Sus. by set of 156601-12920 and 900600-00006	
17		156601-12920	1	COIL,IGNITION			
18		156112-28230	1	GROMMET		Sus. by 156112- 40630	
18		156112-40630	1	GROMMET			
19		159012-03433	1	CAP, SPARK PLUG			
20		159011-03432	1	COIL, SPARK PLUG			
21		159017-10230	1	PLUG, SPARK (RCJ-7Y)	RCJ-7Y		
22		162021-42230	1	LEAD			
23		900600-00006	2	WASHER 6	6		
24		610250-07130	1	BOLT			
26		178111-51630	1	HOLDER, CABLE			

2. Starter, Magneto, Clutch



KEY	LV	PART NUMBER	Q'TY	DESCRIPTION	REMARKS	NOTE1	NOTE2
27		162014-42230	1	LEAD, GROUND			
28		162010-27230	1	LEAD			
29		900238-05010	1	SCREW 5*10	5*10		
30		177305-40530	1	PAWL ASS'Y, STARTER			
31		177200-42230	1	STARTER ASSY			
32	+	900238-05014	1	SCREW 5*14	5*14		
33	+	177214-02830	1	WASHER	5.2*16*1.0T		
34	+	177243-04130	1	CATCHER, PAWL			
35	+	900241-04008	2	SCREW 4*8	4*8		
36	+	177246-03930	1	CLIP, STARTER ROPE			
37	+	177215-04130	1	DRUM, STARTER			
38	+	177226-27430	1	ROPE, STARTER	3.8*850		
39	+	177227-05020	1	GUIDE, ROPE			
40	+	177228-19830	1	GRIP, STARTER			
41	+	177216-12330	1	COLLAR			
42	+	177242-06721	1	PLATE, STARTER			
43	+	177220-03930	1	SPRING, REWIND			
44	+	177221-06720	1	PLATE, STARTER			
46		890118-49330	1	LABEL, ECHO			
47		900162-04020	4	BOLT, H.S. 4*20	4*20 W,SW		
50		610251-07130	1	SPRING			
51		610252-07130	1	LOCKPIN			
52		610223-42230	1	FLANGE, D.S. HOUSING			
53		900100-06008	1	BOLT 6*8	6*8		
54		900238-04008	1	SCREW 4*8	4*8		
55		900238-05016	4	SCREW 5*16	5*16		

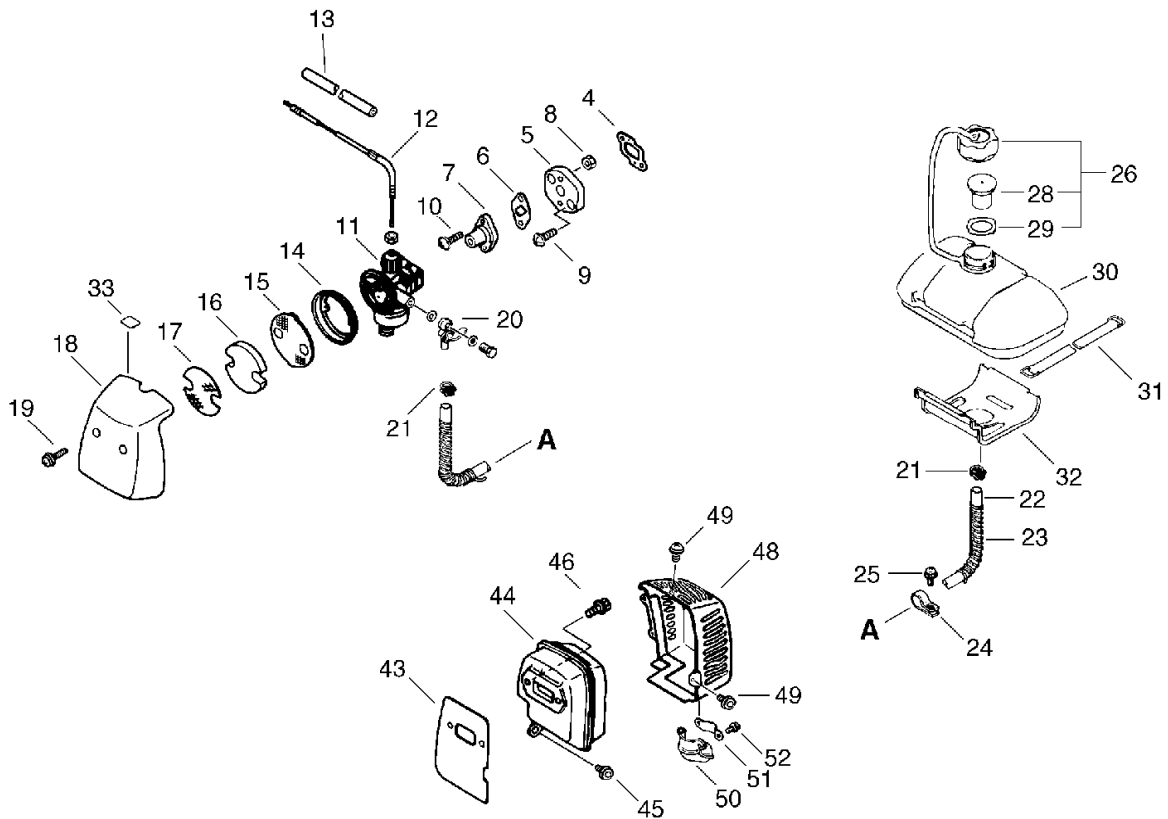
2. Starter, Magneto, Clutch



KEY	LV	PART NUMBER	Q'TY	DESCRIPTION	REMARKS	NOTE1	NOTE2
56		175313-20430	1	RING, FELT			
57		900701-00012	1	CIRCLIP 12	CS-12		
58		900802-06001	2	BEARING, BALL 6001	6001DDU(LLU)	Sus. by 94042-06001	
58		94042-06001	2	BEARING BALL	6001LLU		
59		900702-00028	1	CIRCLIP 28	CR-28		
60		175005-42230	1	DRUM, CLUTCH			

3. Air Cleaner, Muffler, Fuel Tank

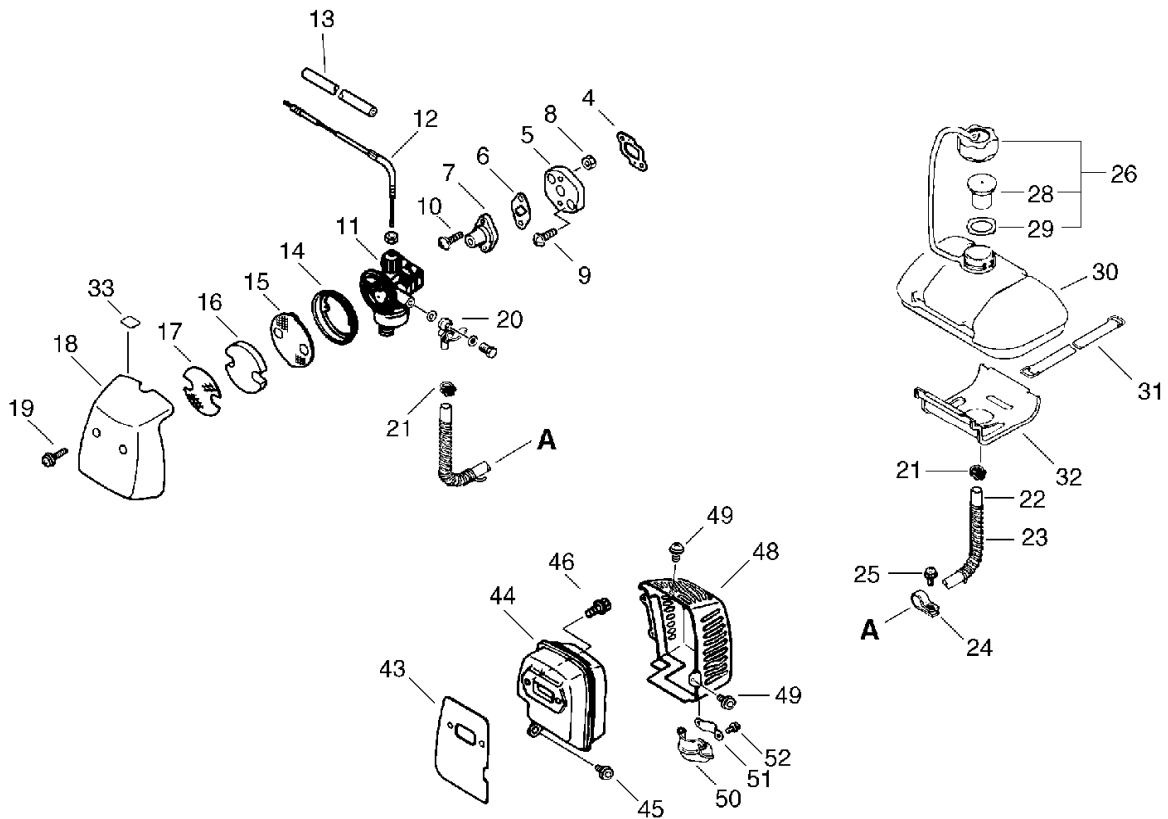
No.3



KEY	LV	PART NUMBER	Q'TY	DESCRIPTION	REMARKS	NOTE1	NOTE2
4		130016-42231	1	GASKET, INTAKE			
5		130017-42230	1	INSULATOR			
6		130010-22430	1	GASKET, INSULATOR			
7		130510-22431	1	ADAPTER, INTAKE			
8		900500-00005	2	NUT 5	5		
9		900238-05014	2	SCREW 5*14	5*14		
10		900238-05018	2	SCREW 5*18	5*18		
11		120000-42231	1	CARBURETOR ASSY			
12		178004-42230	1	WIRE, THROTTLE	310*345		
13		178127-04930	1	TUBE	7*11*30 BL		
14		130314-27930	1	CASE, AIR CLEANER			
15		130319-27930	1	GRID, AIR CLEANER			
16		130310-27930	1	FILTER, AIR			
17		130311-27930	1	GRID, AIR CLEANER			
18		130307-42230	1	CASE, AIR CLEANER			
19		900238-04022	2	SCREW 4*22	4*22		
20		132200-00512	1	VALVE ASS'Y, FUEL			
21		132013-00360	2	CLIP, PIPE	11MM		
22		132010-22030	1	PIPE, FUEL	7*11*420L		
23		132015-22030	1	COIL, FUEL PIPE			
24		132112-22031	1	CLIP, FUEL PIPE			
25		900238-05010	1	SCREW 5*10	5*10		
26		131604-42230	1	CAP ASSY, FUEL TANK		Sus. by 131600-42230	
26		131600-42230	1	CAP ASSY, FUEL TANK			
28	+	131003-21230	1	CUP SET, VENT			

3. Air Cleaner, Muffler, Fuel Tank

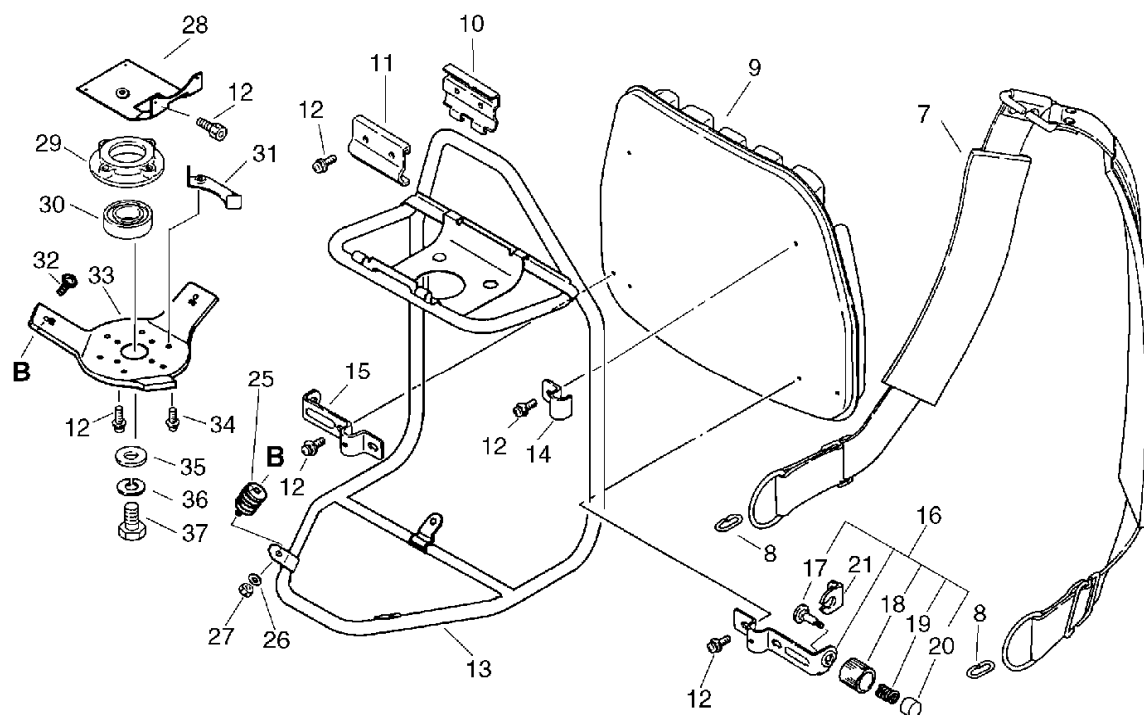
No.3



KEY	LV	PART NUMBER	Q'TY	DESCRIPTION	REMARKS	NOTE1	NOTE2
29	+	131016-21060	1	GASKET, FUEL CAP			
30		131010-22030	1	TANK, FUEL			
31		131917-21530	2	BAND, FUEL TANK			
32		131920-22030	1	CUSHION			
33		890121-42230	1	LABEL, CHOKE			
43		145510-42231	1	GASKET, MUFFLER			
44		145610-42231	1	MUFFLER (BL)			
45		900238-05014	1	SCREW 5*14	5*14		
46		900162-05020	2	BOLT, H.S. 5*20	5*20 W,SW		
48		145906-42230	1	COVER, MUFFLER			
49		900238-04010	3	SCREW 4*10	4*10		
50		145606-29930	1	LID, MUFFLER			
51		145665-21530	1	BRACKET, EXHAUST			
52		900238-04008	2	SCREW 4*8	4*8		

4. Harness

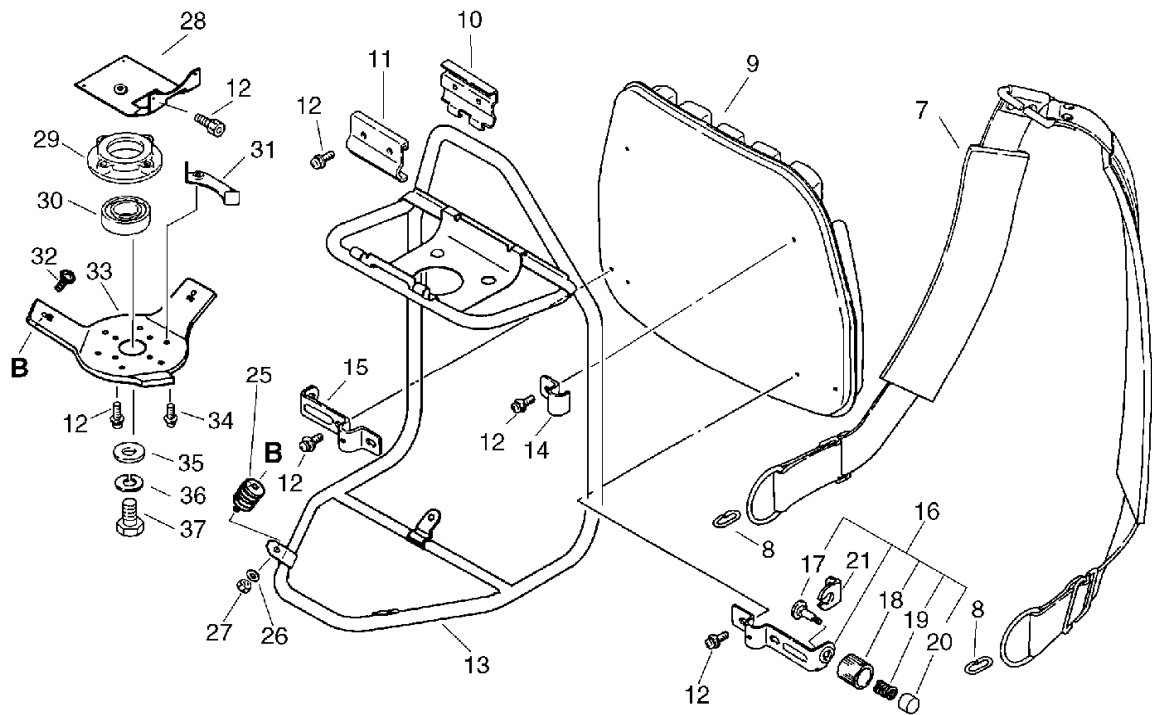
No.4



KEY	LV	PART NUMBER	Q'TY	DESCRIPTION	REMARKS	NOTE1	NOTE2
7		300300-50130	1	HARNESS, BACKPACK			
8		300319-01611	2	RING, HARNESS			
9		300105-27630	1	CUSHION			
10		300610-42230	1	PLATE			
11		300616-42230	1	PLATE, KNAPSACK BAND			
12		900238-05012	14	SCREW 5*12	5*12		
13		300005-42231	1	FRAME, BACKPACK			
14		300220-42230	2	BRACKET, CUSHION			
15		300226-42231	1	PLATE			
16		300200-42231	1	BRACKET, ASSY			
17	+	300715-27630	1	SHAFT			
18	+	300717-27630	1	GUARD			
19	+	300713-27630	1	SPRING			
20	+	300711-27630	1	BUTTON			
21		300716-27630	1	PLATE			
25		100907-14730	3	CUSHION			
26		900605-00005	3	WASHER, SPRING 5	5		
27		900500-00005	3	NUT 5	5		
28		104908-42230	1	BRACKET			
29		699226-05430	1	HOLDER, BEARING			
30		900814-06202	1	BEARING, BALL 6202	6202ZZ	Sus. by 94064-06202	
30		94064-06202	1	BEARING BALL	BB6202ZZ		
31		104931-27630	1	STOPPER			
32		900238-05010	3	SCREW 5*10	5*10		
33		104925-42230	1	RETAINER			

4. Harness

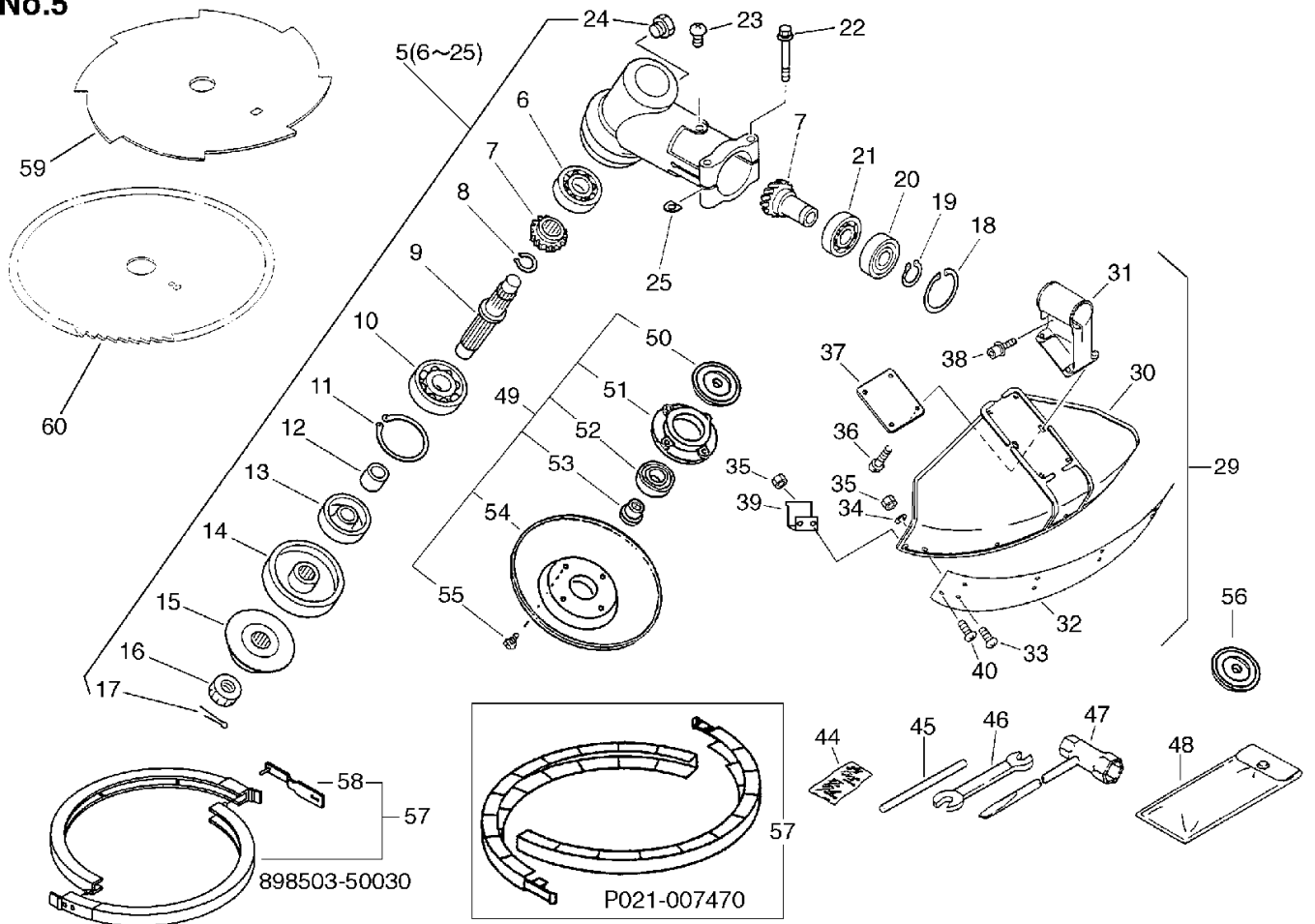
No.4



KEY	LV	PART NUMBER	Q'TY	DESCRIPTION	REMARKS	NOTE1	NOTE2
34		900238-04010	2	SCREW 4*10	4*10		
35		900600-00010	1	WASHER 10	10		
36		900605-00010	1	WASHER, SPRING 10	10		
37		900100-10020	1	BOLT 10*20	10*20		

5. Gear Case, Shield, Blade, Tools

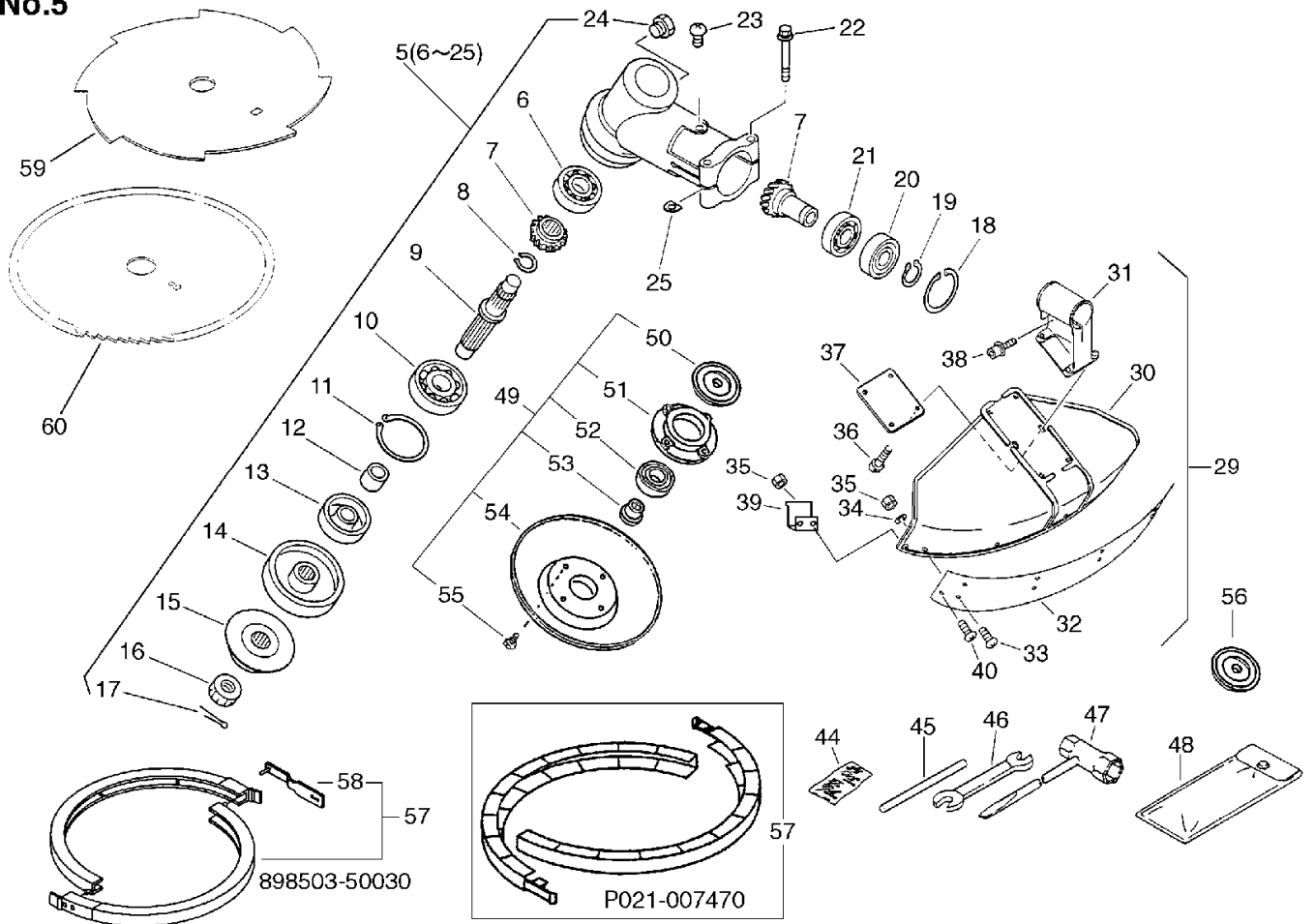
No.5



KEY	LV	PART NUMBER	Q'TY	DESCRIPTION	REMARKS	NOTE1	NOTE2
5		610400-42230	1	HOUSING ASSY, GEAR		Sus. by 610400-42231	
5		610400-42231	1	CASE ASY, GEAR			
6	+	900800-36000	1	BEARING, BALL 6000	6000/C3		
7	+	610300-42230	1	GEAR SET			
8	+	900706-00012	1	CIRCLIP 12	WR-12		
9	+	610310-07130	1	SHAFT, P.T.O.			
10	+	900810-06201	1	BEARING, BALL 6201	6201		
11	+	900702-00032	1	CIRCLIP 32	CR-32		
12	+	610315-07130	1	SPACER			
13	+	610413-07130	1	OILSEAL			
14	+	610313-07130	1	PLATE, ADAPTER (U)	PD 25.4	Sus. by 610313-07132	
14	+	610313-07131	1	PLATE, ADAPTER (U)	PD 25.4	Sus. by 610313-07132	
14	+	610313-07132	1	PLATE, ADAPTER (U)			
15	+	610314-07130	1	PLATE, ADAPTER (L)			
16	+	900511-00010	1	NUT 10 (L-H)	10*P1.25		
17	+	900300-20022	1	PIN, SPLIT 2*22	2*22		
18	+	900702-00028	1	CIRCLIP 28	CR-28		
19	+	900701-00012	1	CIRCLIP 12	CS-12		
20	+	900807-06001	1	BEARING, BALL 6001	6001V(LB)		
21	+	900800-06001	1	BEARING, BALL 6001	6001		
22	+	900142-05030	2	BOLT 5*30 (W/W,SW)	5*30		
23	+	900242-05010	1	SCREW 5*10	5*10		

5. Gear Case, Shield, Blade, Tools

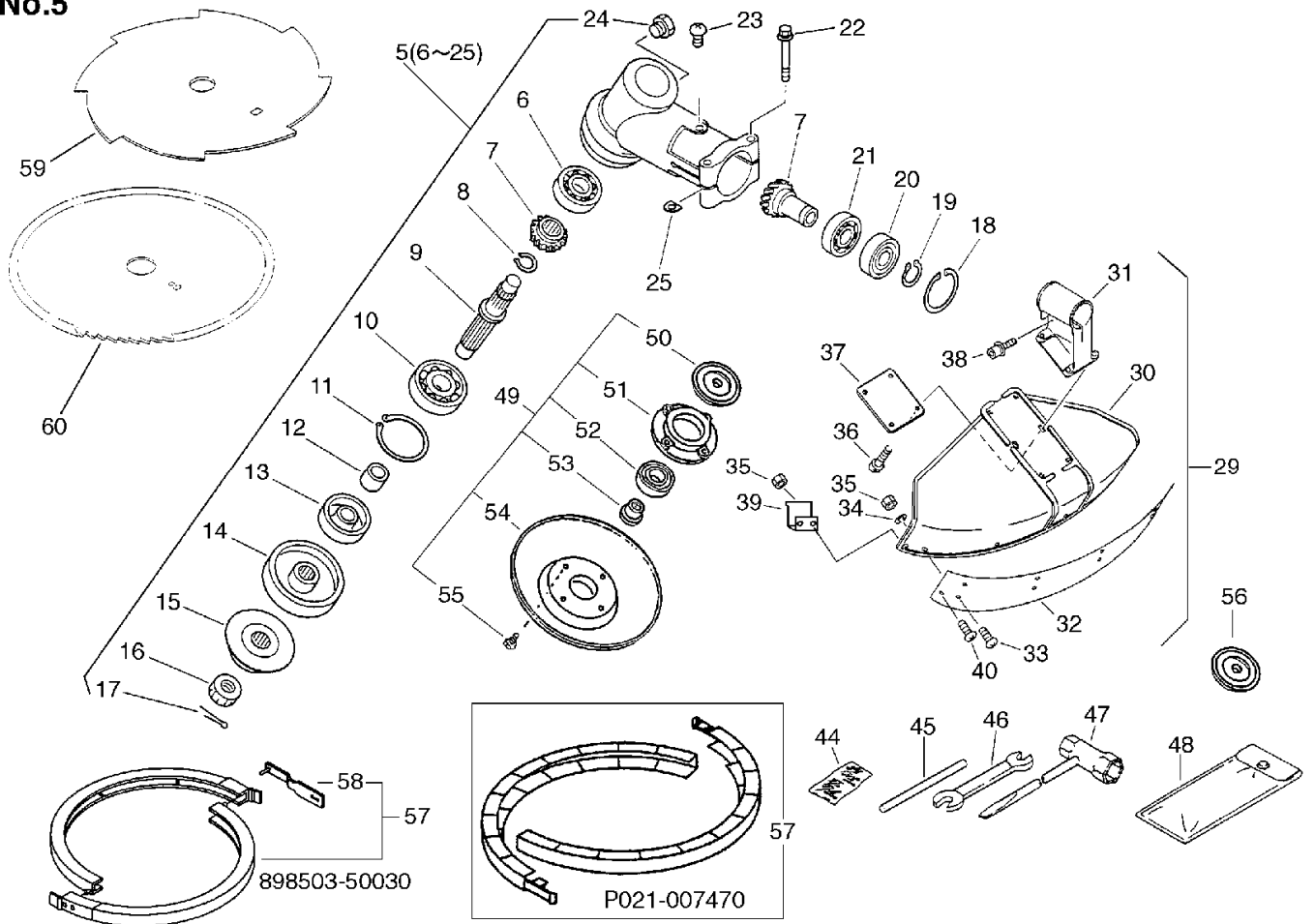
No.5



KEY	LV	PART NUMBER	Q'TY	DESCRIPTION	REMARKS	NOTE1	NOTE2
24	+	610434-50030	1	BOLT 8*6		Sus. by 610434-50031	
24	+	610434-50031	1	BOLT 8*8	M8*8		
25	+	610239-04130	2	WASHER, SHIM			
29		699001-50430	1	SHIELD ASSY			
30	+	699010-54430	1	SHIELD, BLADE			
31	+	699011-43130	1	BRACKET, SHIELD			
32	+	699013-52130	1	PLATE, SHIELD			
33	+	900242-05014	4	SCREW 5*14	5*14		
34	+	900603-00005	4	WASHER 5	5.5*12*0.8		
35	+	900500-00005	6	NUT 5	5		
36	+	900242-05018	4	SCREW 5*18	5*18		
37	+	699015-52130	1	PLATE, SHIELD			
38	+	900142-05025	2	BOLT 5*25 (W/W,SW)	5*25		
39	+	699016-54530	1	KNIFE			
40	+	900242-05012	2	SCREW 5*12	5*12		
44		898502-01130	1	PIN 2*22 (W/POUCH)			
45		897518-01131	1	LOCKING TOOL			
46		895112-00330	1	SPANNER 8*10			
47		895410-08030	1	WRENCH, W/S. DRIVER		Sus. by X602-000020	
47		X602-000020	1	TOOL,WRENCH	17*19 L200		
48		898510-08530	1	TOOL BAG		Sus. by 699200-07131	
48		898510-07130	1	BAG, TOOL			
49		699200-07131	1	CUP ASSY, FREE			

5. Gear Case, Shield, Blade, Tools

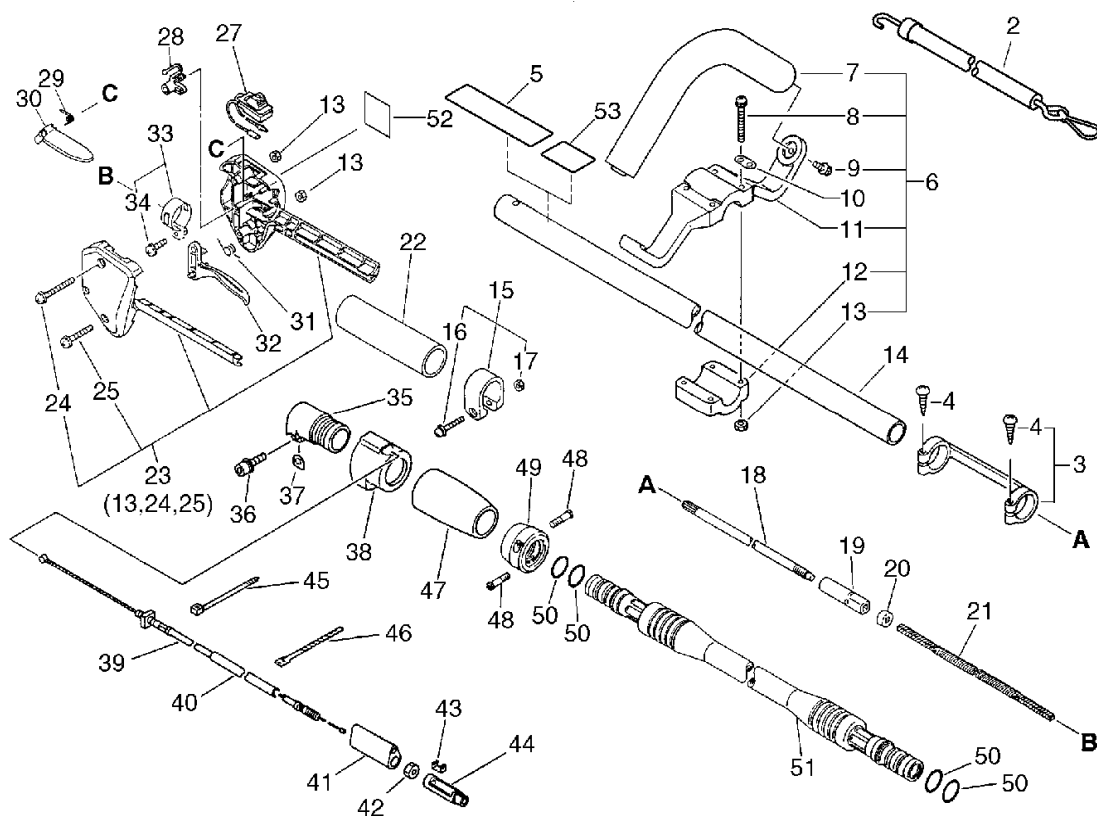
No.5



KEY	LV	PART NUMBER	Q'TY	DESCRIPTION	REMARKS	NOTE1	NOTE2
50	+	610333-07130	1	PLATE, ADAPTER (L)			
51	+	699226-05430	1	HOLDER, BEARING			
52	+	900814-06202	1	BEARING, BALL 6202	6202ZZ		
53	+	699227-04630	1	NUT			
54	+	699228-08930	1	PLATE, COVER			
55	+	900141-05012	4	BOLT 5*12	5*12		
56		610336-07131	1	PLATE, ADAPTER (L)			
57		898503-50030	1	SCABBARD KIT, BLADE		Sus. by P021-007470	
57		P021-007470	1	SCABBARD.BLADE			
58	+	898562-43230	1	FIXTURE, SCABBARD		can be used on 898503-50030 only	
59		696001-55630	1	BLADE, 8-CUTTER 10IN		Sus. by 696001-55631	
59		696001-55631	1	BLADE, 8-CUTTER 10IN	255*8T*1.4 PD25		
60		695001-55630	1	SAW,CIRCULAR 10*80T		Sus. by 695001-55631	
60		695001-55631	1	SAW, CIRCULAR 10*80T	255*80T*1.4 PD25		

6. Handle

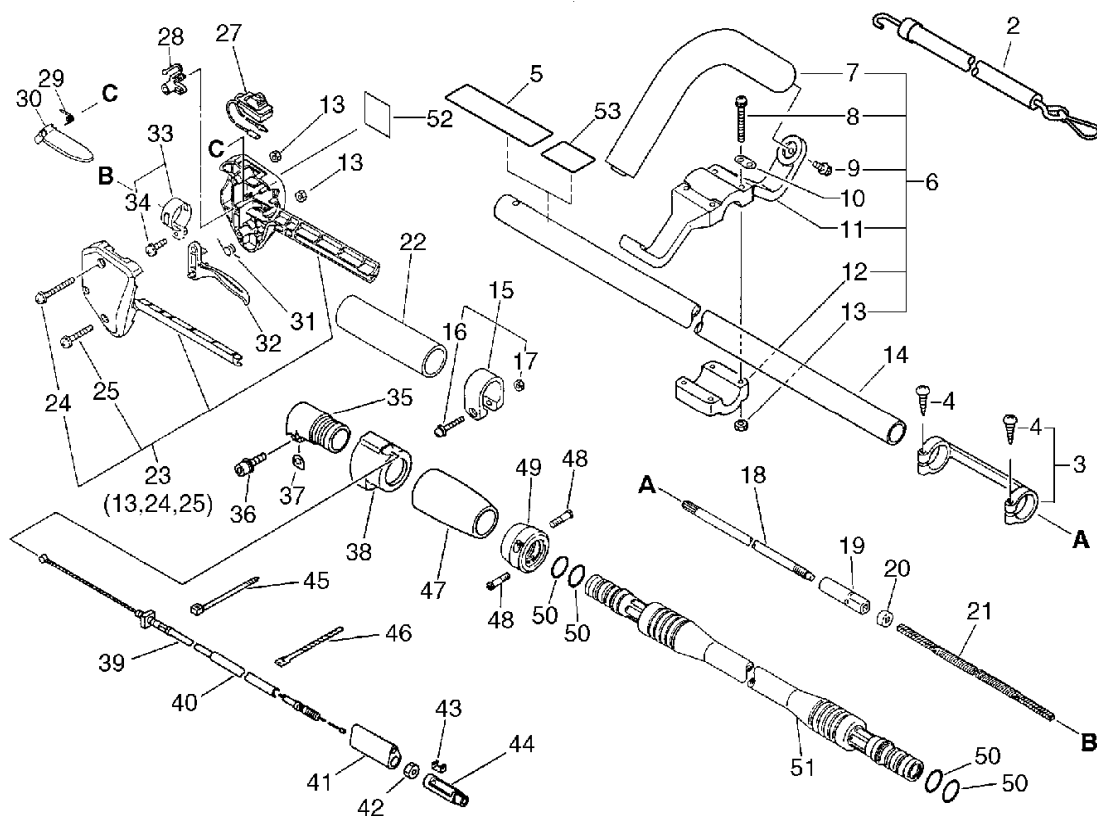
No.6



KEY	LV	PART NUMBER	Q'TY	DESCRIPTION	REMARKS	NOTE1	NOTE2
2		300500-07131	1	ROPE, ELASTIC			
3		610281-42230	1	COLLER			
4	+	900253-04025	2	SCREW 4*25	4*25		
5		890617-46830	1	LABEL, CAUTION		Sus. by 890617-43130	
5		890617-43130	1	LABEL, CAUTION			
6		351201-07131	1	HANDLE ASSY, LOOP		Sus. by 351201-07133	
6		351201-07133	1	HANDLE ASSY, LOOP			
7	+	351205-07130	1	HANDLE		Sus. by 351205-07131	
7	+	351205-07131	1	HANDLE			
8	+	900242-05035	4	SCREW 5*35	5*35		
9	+	900242-05014	2	SCREW 5*14	5*14		
11	+	351232-07130	1	BRACKET, HANDLE 28			
12	+	351225-06930	1	BRACKET, LOOP HANDLE			
13	+	900500-00005	4	NUT 5	5		
10		300515-07130	1	PLATE, ROPE			
14		610206-42230	1	HOUSING ASSY, D.SHFT			
15		610272-51830	1	BAND			
16	+	900242-05028	1	SCREW 5*28	5*28		
17	+	900500-00005	1	NUT 5	5		
18		610011-42230	1	SHAFT, DRIVE			
19		610025-07130	1	CONNECTER			
20		610020-07131	1	ADAPTER, FLX. SHAFT			
21		610013-27630	1	SHAFT, FLEXIBLE(HARD)			

6. Handle

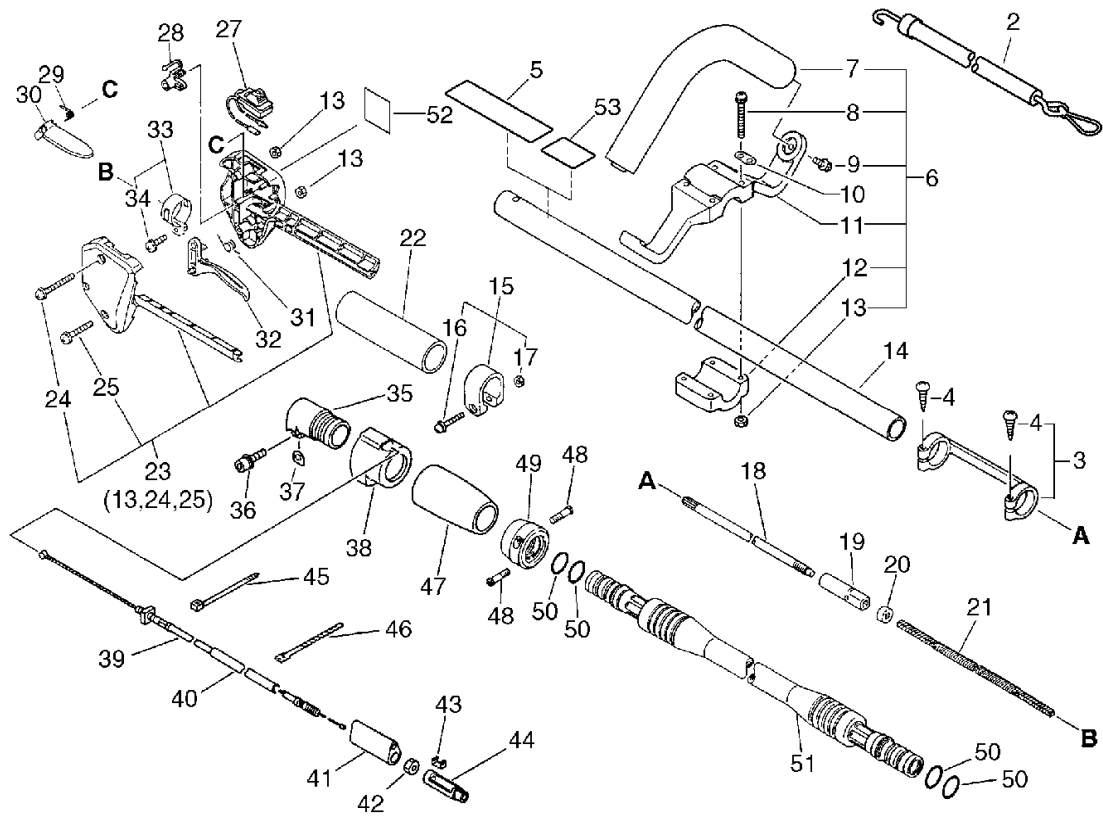
No.6



KEY	LV	PART NUMBER	Q'TY	DESCRIPTION	REMARKS	NOTE1	NOTE2
22		351213-51830	1	GRIP, FRONT HANDLE			
23		178003-51830	1	BRACKET SET, THROTTLE			
13	+	900500-00005	2	NUT 5	5		
24	+	900242-05035	1	SCREW 5*35	5*35		
25	+	900238-05025	1	SCREW 5*25	5*25		
27		163400-41630	1	SWITCH, IGNITION			
28		178012-52630	1	LOCKOUT, THROTTLE			
29		178013-52630	1	SPRING, THR. LOCK			
30		178090-52630	1	LOCKOUT, T. CONTROL		Sus. by 178090-52632	
30		178090-52631	1	LOCKOUT, T. CONTROL		Sus. by 178090-52632	
30		178090-52632	1	LOCKOUT, T. CONTROL			
31		178043-42230	1	SPRING, THR. RETURN			
32		178010-52130	1	CONTROL, THROTTLE			
33		301200-42230	1	HOOK ASSY			
34	+	900238-05012	1	SCREW 5*12	5*12		
35		610248-42230	1	CONNECTOR			
36		900162-05020	1	BOLT, H.S. 5*20	5*20 W,SW		
37		610239-04130	1	WASHER, SHIM			
38		610275-42230	1	BOOT, CONNECTOR			
39		178001-51630	1	WIRE, THROTTLE			
40		178127-42230	1	TUBE	10*11*810		
41		178128-22130	1	SLEEVE			
42		178021-05530	1	LOCKNUT			
43		178049-06630	1	CONNECTOR			

6. Handle

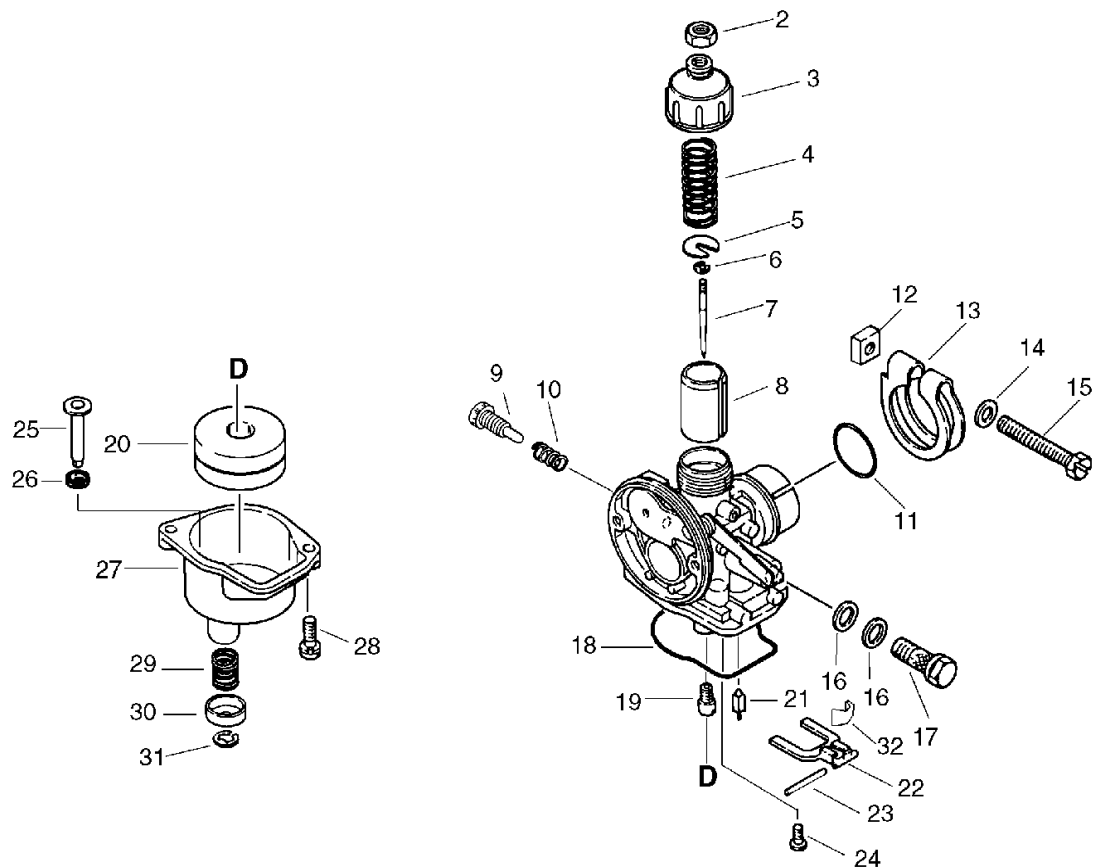
No.6



KEY	LV	PART NUMBER	Q'TY	DESCRIPTION	REMARKS	NOTE1	NOTE2
44		178114-05630	1	CONNECTOR, THR. WIRE			
45		178121-10050	1	BAND	CV-150		
46		178121-45930	1	BAND			
47		610276-27631	1	COVER			
48		610257-27630	2	BOLT			
49		610260-27630	1	SPACER, D/S HOUSING			
50		900720-00018	4	O-RING 18	P-18		
51		610209-42230	1	COVER, FLEXIBLE			
52		890157-39130	1	LABEL, SWITCH			
53		890160-42230	1	LABEL, CAUTION			

7. Carburetor

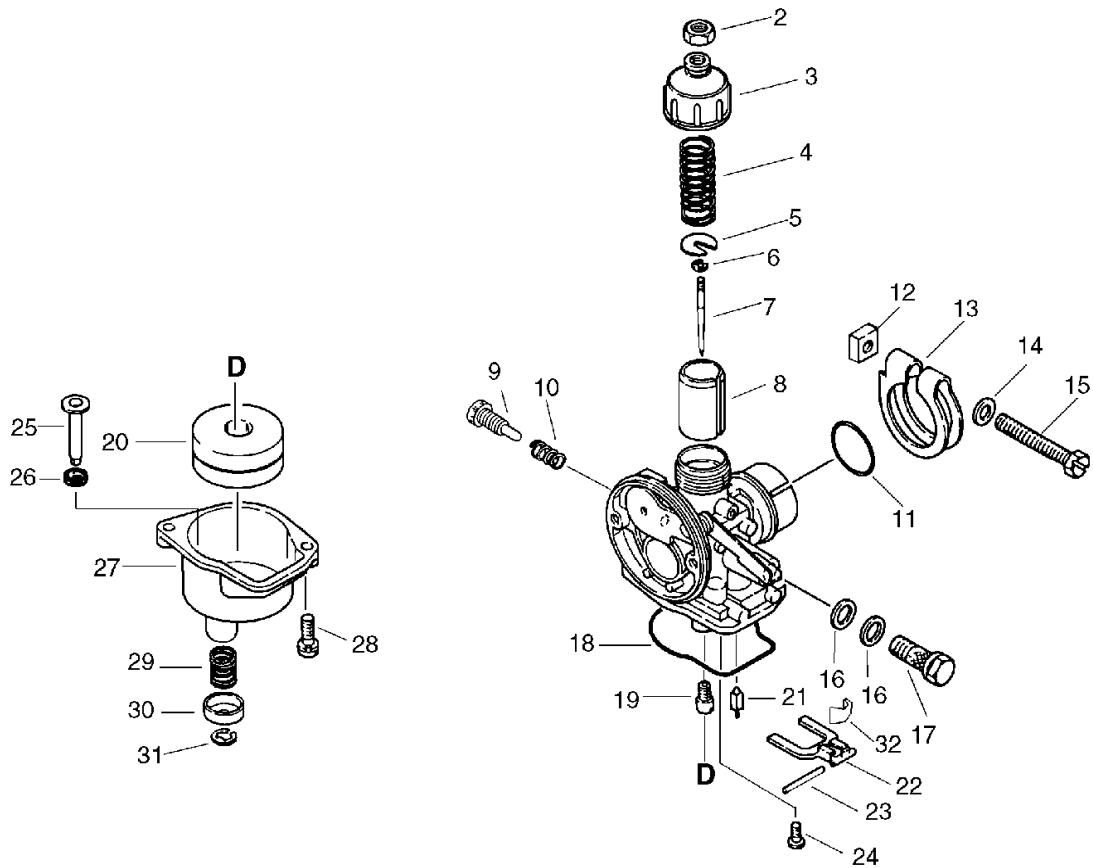
No.7



KEY	LV	PART NUMBER	Q'TY	DESCRIPTION	REMARKS	NOTE1	NOTE2
		120000-42231	1	CARBURETOR ASSY			
2	+	120111-04730	1	NUT			
3	+	120113-10211	1	COVER, TOP			
4	+	120114-01820	1	SPRING, THROTTLE			
5	+	120115-08020	1	SEAT, SPRING			
6	+	120116-10211	1	E-RING			
7	+	120103-45530	1	NEEDLE, JET W/CLIP			
8	+	120118-27430	1	VALVE, THROTTLE			
9	+	120159-04731	1	SCREW, IDLE SPEED			
10	+	120160-01321	1	SPRING			
11	+	120149-05730	1	GASKET			
12	+	120151-10210	1	NUT, OUTLET CLIP			
13	+	120146-10210	1	CLIP, OUTLET			
14	+	900600-00005	1	WASHER 5	5		
15	+	120147-08020	1	BOLT			
16	+	120130-10210	2	GASKET			
17	+	120131-00120	1	BOLT, BANJO			
18	+	120123-10210	1	GASKET, F. CHAMBER			
19	+	120122-05730	1	JET, MAIN			
20	+	120133-05730	1	FLOAT			
21	+	120120-27431	1	VALVE, NEEDLE			
22	+	120121-27430	1	ARM, FLOAT			
23	+	120132-10211	1	PIN, FLOAT ARM			
24	+	900220-04006	1	SCREW 4*6	4*6		
25	+	120177-03311	1	SHAFT, LINK			
26	+	120178-03311	1	O-RING			

7. Carburetor

No.7



KEY	LV	PART NUMBER	Q'TY	DESCRIPTION	REMARKS	NOTE1	NOTE2
27	+	120124-03311	1	CHAMBER, FLOAT			
28	+	900242-04012	2	SCREW 4*12	4*12		
29	+	120179-28930	1	SPRING, COIL			
30	+	120180-03311	1	COLLAR			
31	+	120181-03312	1	CLIP			
32	+	120182-22430	1	CLIP			

Index

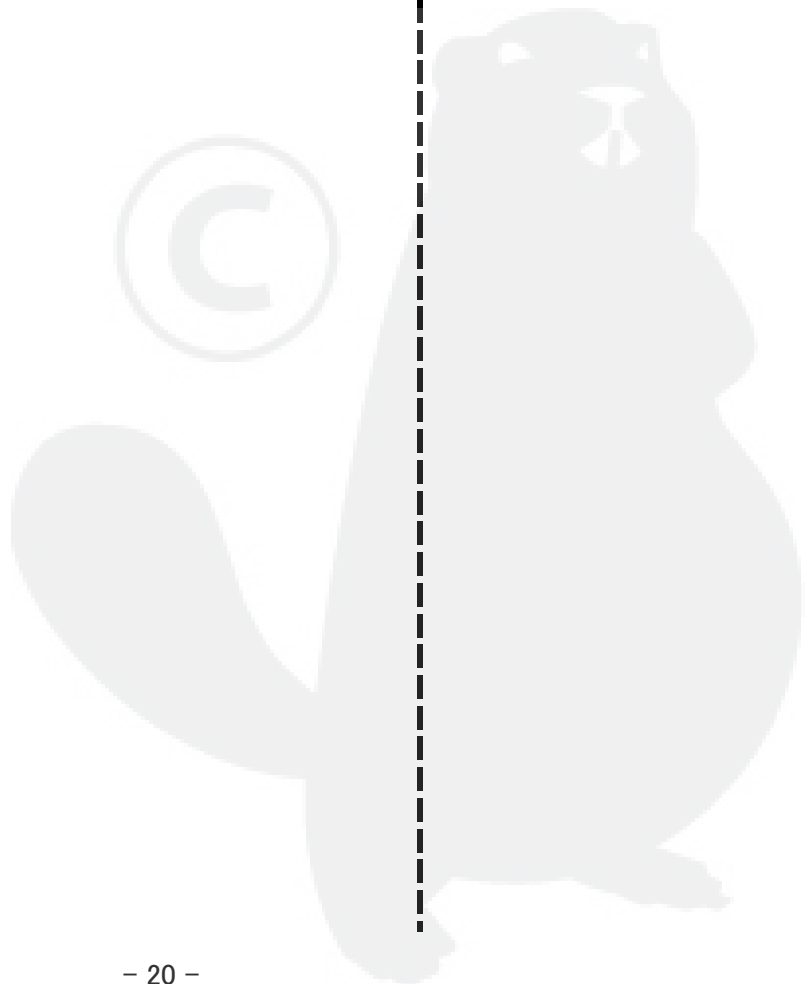
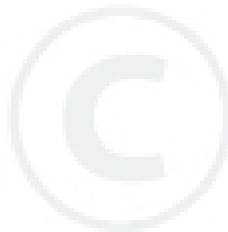
Patrs Number	Key No.	Patrs Number	Key No.	Patrs Number	Key No.
100000-43130	1 - 13	120151-10210	7 - 12	175018-42230	2 - 7
100000-43131	1 - 13	120159-04731	7 - 9	175046-06230	2 - 5
100000-43230	1 - 13	120160-01321	7 - 10	175048-03920	2 - 6
100000-43231	1 - 13	120177-03311	7 - 25	175049-03920	2 - 9
100011-42230	1 - 12	120178-03311	7 - 26	175313-20430	2 - 56
100011-43230	1 - 12	120179-28930	7 - 29	177200-42230	2 - 31
100012-12331	1 - 16	120180-03311	7 - 30	177214-02830	2 - 33
100013-00410	1 - 14	120181-03312	7 - 31	177215-04130	2 - 37
100014-17330	1 - 17	120182-22430	7 - 32	177216-12330	2 - 41
100015-00120	1 - 15	130010-22430	3 - 6	177220-03930	2 - 43
100100-43130	1 - 35	130016-42231	3 - 4	177221-06720	2 - 44
100142-12330	1 - 34	130017-42230	3 - 5	177226-27430	2 - 38
100200-42230	1 - 29	130307-42230	3 - 18	177227-05020	2 - 39
100204-42230	1 - 26	130310-27930	3 - 16	177228-19830	2 - 40
100212-27930	1 - 37	130311-27930	3 - 17	177242-06721	2 - 42
100213-02830	1 - 27	130314-27930	3 - 14	177243-04130	2 - 34
100215-02830	1 - 30	130319-27930	3 - 15	177246-03930	2 - 36
100242-42230	1 - 32	130510-22431	3 - 7	177305-40530	2 - 30
100907-14730	4 - 25	131003-21230	3 - 28	178001-51630	6 - 39
101010-42231	1 - 11	131010-22030	3 - 30	178003-51830	6 - 23
101011-43130	1 - 9	131016-21060	3 - 29	178004-42230	3 - 12
101011-43230	1 - 9	131600-42230	3 - 26	178010-52130	6 - 32
101511-42230	1 - 20	131604-42230	3 - 26	178012-52630	6 - 28
101514-42230	1 - 8	131917-21530	3 - 31	178013-52630	6 - 29
101534-42230	1 - 25	131920-22030	3 - 32	178021-05530	6 - 42
104908-42230	4 - 28	132010-22030	3 - 22	178043-42230	6 - 31
104925-42230	4 - 33	132013-00360	3 - 21	178049-06630	6 - 43
104931-27630	4 - 31	132015-22030	3 - 23	178090-52630	6 - 30
120000-42231	3 - 11	132112-22031	3 - 24	178090-52631	6 - 30
120000-42231	7 -	132200-00512	3 - 20	178090-52632	6 - 30
120103-45530	7 - 7	145510-42231	3 - 43	178111-51630	2 - 26
120111-04730	7 - 2	145606-29930	3 - 50	178114-05630	6 - 44
120113-10211	7 - 3	145610-42231	3 - 44	178121-10050	6 - 45
120114-01820	7 - 4	145665-21530	3 - 51	178121-45930	6 - 46
120115-08020	7 - 5	145906-42230	3 - 48	178127-04930	3 - 13
120116-10211	7 - 6	156112-28230	2 - 18	178127-42230	6 - 40
120118-27430	7 - 8	156112-40630	2 - 18	178127-46630	2 - 16
120120-27431	7 - 21	156601-12920	2 - 17	178128-22130	6 - 41
120121-27430	7 - 22	156626-42230	2 - 17	300005-42231	4 - 13
120122-05730	7 - 19	156801-42230	2 - 13	300105-27630	4 - 9
120123-10210	7 - 18	159011-03432	2 - 20	300200-42231	4 - 16
120124-03311	7 - 27	159012-03433	2 - 19	300220-42230	4 - 14
120130-10210	7 - 16	159017-10230	2 - 21	300226-42231	4 - 15
120131-00120	7 - 17	162010-27230	2 - 28	300300-50130	4 - 7
120132-10211	7 - 23	162014-42230	2 - 27	300319-01611	4 - 8
120133-05730	7 - 20	162021-42230	2 - 22	300500-07131	6 - 2
120146-10210	7 - 13	163400-41630	6 - 27	300515-07130	6 - 10
120147-08020	7 - 15	175005-42230	2 - 60	300610-42230	4 - 10
120149-05730	7 - 11	175009-42231	2 - 8	300616-42230	4 - 11

Index

Patrs Number	Key No.	Patrs Number	Key No.	Patrs Number	Key No.
300711-27630	4 - 20	696001-55631	5 - 59	900238-05010	3 - 25
300713-27630	4 - 19	699001-50430	5 - 29	900238-05010	4 - 32
300715-27630	4 - 17	699010-54430	5 - 30	900238-05012	4 - 12
300716-27630	4 - 21	699011-43130	5 - 31	900238-05012	6 - 34
300717-27630	4 - 18	699013-52130	5 - 32	900238-05014	2 - 32
301200-42230	6 - 33	699015-52130	5 - 37	900238-05014	3 - 9
351201-07131	6 - 6	699016-54530	5 - 39	900238-05014	3 - 45
351201-07133	6 - 6	699200-07131	5 - 49	900238-05016	2 - 55
351205-07130	6 - 7	699226-05430	4 - 29	900238-05018	3 - 10
351205-07131	6 - 7	699226-05430	5 - 51	900238-05020	2 - 15
351213-51830	6 - 22	699227-04630	5 - 53	900238-05025	6 - 25
351225-06930	6 - 12	699228-08930	5 - 54	900241-04008	2 - 35
351232-07130	6 - 11	880517-40030	1 - 18	900242-04012	7 - 28
610011-42230	6 - 18	890112-51630	1 - 40	900242-05010	5 - 23
610013-27630	6 - 21	890115-42230	1 - 40	900242-05012	5 - 40
610020-07131	6 - 20	890118-49330	2 - 46	900242-05014	5 - 33
610025-07130	6 - 19	890121-42230	3 - 33	900242-05014	6 - 9
610206-42230	6 - 14	890157-39130	6 - 52	900242-05018	5 - 36
610209-42230	6 - 51	890160-42230	6 - 53	900242-05028	6 - 16
610223-42230	2 - 52	890617-43130	6 - 5	900242-05035	6 - 8
610239-04130	5 - 25	890617-46830	6 - 5	900242-05035	6 - 24
610239-04130	6 - 37	895112-00330	5 - 46	900253-04025	6 - 4
610248-42230	6 - 35	895410-08030	5 - 47	900300-20022	5 - 17
610250-07130	2 - 24	897518-01131	5 - 45	900500-00005	3 - 8
610251-07130	2 - 50	898502-01130	5 - 44	900500-00005	4 - 27
610252-07130	2 - 51	898503-50030	5 - 57	900500-00005	5 - 35
610257-27630	6 - 48	898510-07130	5 - 48	900500-00005	6 - 13
610260-27630	6 - 49	898510-08530	5 - 48	900500-00005	6 - 17
610272-51830	6 - 15	898562-43230	5 - 58	900500-00005	6 - 13
610275-42230	6 - 38	900100-06008	2 - 53	900503-00010	2 - 10
610276-27631	6 - 47	900100-10020	4 - 37	900511-00010	5 - 16
610281-42230	6 - 3	900141-05012	5 - 55	900600-00005	7 - 14
610300-42230	5 - 7	900142-05025	5 - 38	900600-00006	2 - 23
610310-07130	5 - 9	900142-05030	5 - 22	900600-00010	2 - 12
610313-07130	5 - 14	900162-04020	2 - 47	900600-00010	4 - 35
610313-07131	5 - 14	900162-05020	1 - 10	900603-00005	5 - 34
610313-07132	5 - 14	900162-05020	3 - 46	900605-00005	4 - 26
610314-07130	5 - 15	900162-05020	6 - 36	900605-00010	2 - 11
610315-07130	5 - 12	900162-05025	1 - 23	900605-00010	4 - 36
610333-07130	5 - 50	900162-05030	1 - 31	900701-00012	2 - 57
610336-07131	5 - 56	900220-04006	7 - 24	900701-00012	5 - 19
610400-42230	5 - 5	900238-04008	2 - 54	900702-00028	2 - 59
610400-42231	5 - 5	900238-04008	3 - 52	900702-00028	5 - 18
610413-07130	5 - 13	900238-04010	1 - 22	900702-00032	5 - 11
610434-50030	5 - 24	900238-04010	3 - 49	900702-00035	1 - 28
610434-50031	5 - 24	900238-04010	4 - 34	900706-00012	5 - 8
695001-55630	5 - 60	900238-04022	3 - 19	900720-00018	6 - 50
695001-55631	5 - 60	900238-05010	1 - 7	900800-06001	5 - 21
696001-55630	5 - 59	900238-05010	2 - 29	900800-36000	5 - 6

Index

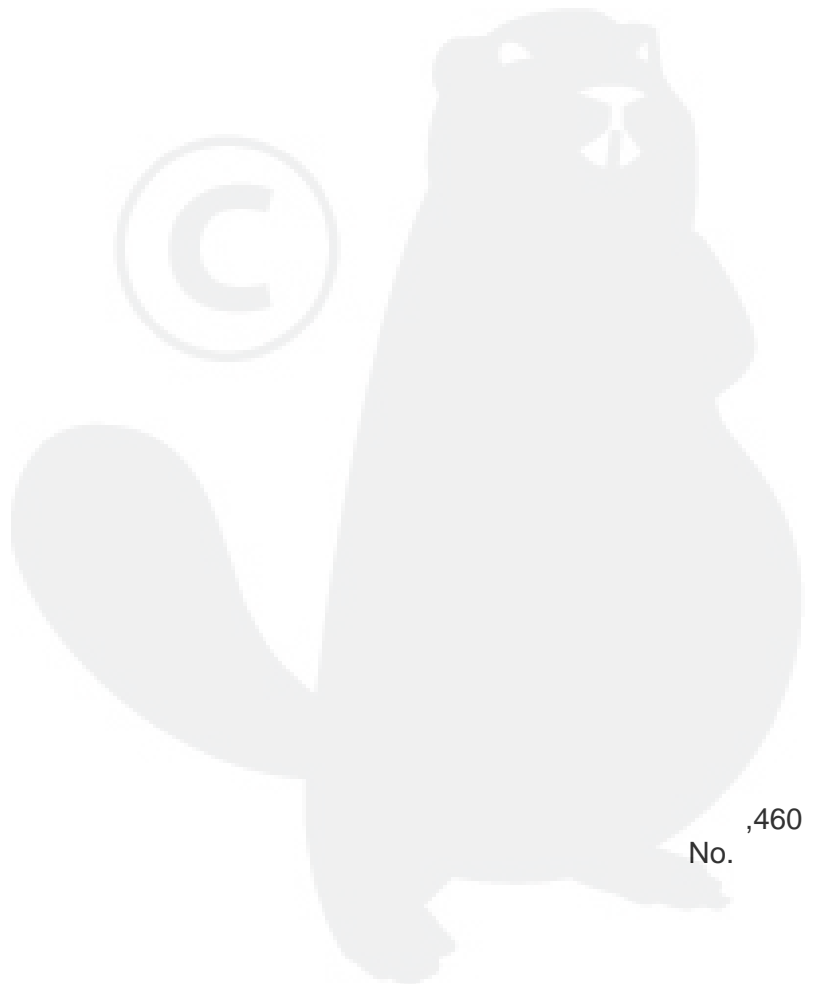
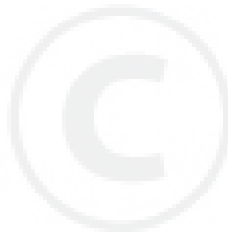
Patrs Number	Key No.	Patrs Number	Key No.	Patrs Number	Key No.
900802-06001	2 - 58				
900807-06001	5 - 20				
900810-06201	5 - 10				
900810-36201	1 - 36				
900810-36202	1 - 33				
900814-06202	4 - 30				
900814-06202	5 - 52				
94035-36201	1 - 36				
94042-06001	2 - 58				
94064-06202	4 - 30				
P021-007470	5 - 57				
V307-000050	1 - 17				
X602-000020	5 - 47				



YAMABIKO CORPORATION

7-2 SUEHIROCHO 1-CHOME, OHME, TOKYO 198-8760, JAPAN
PHONE: 81-428-32-6118. FAX: 81-428-32-6145.

ECHO®



No. ,460