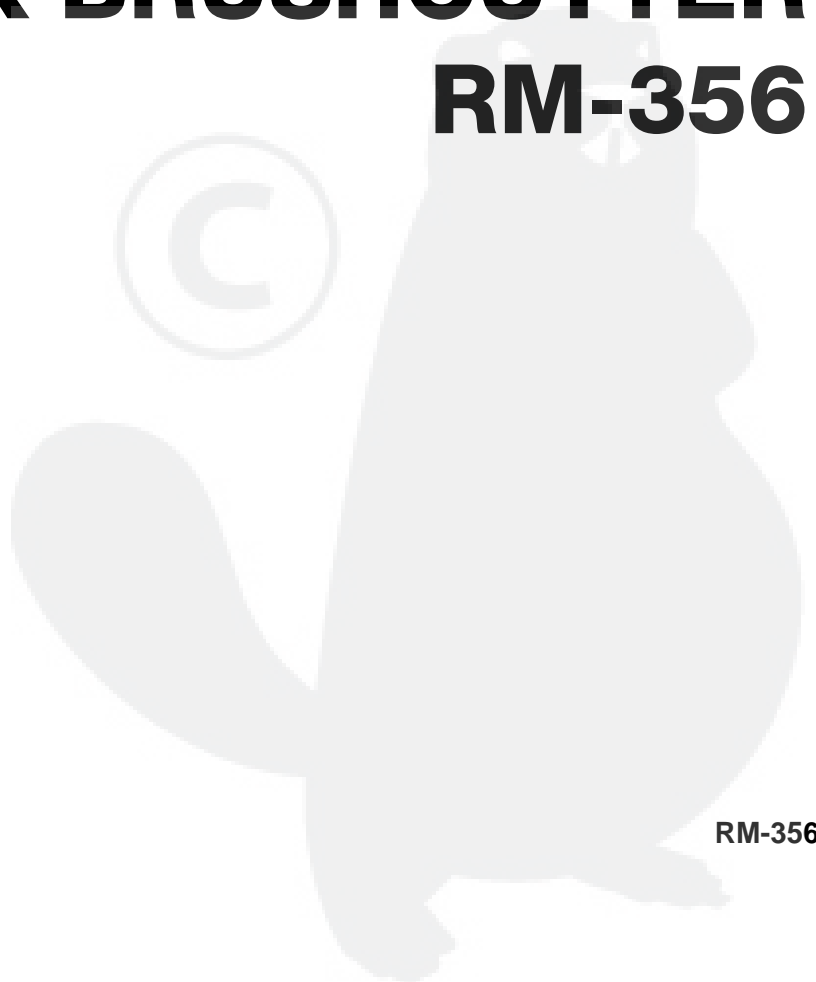
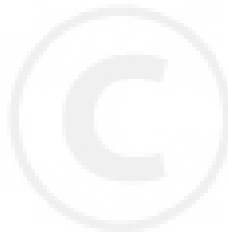




PARTS CATALOG

BACKPACK BRUSHCUTTER

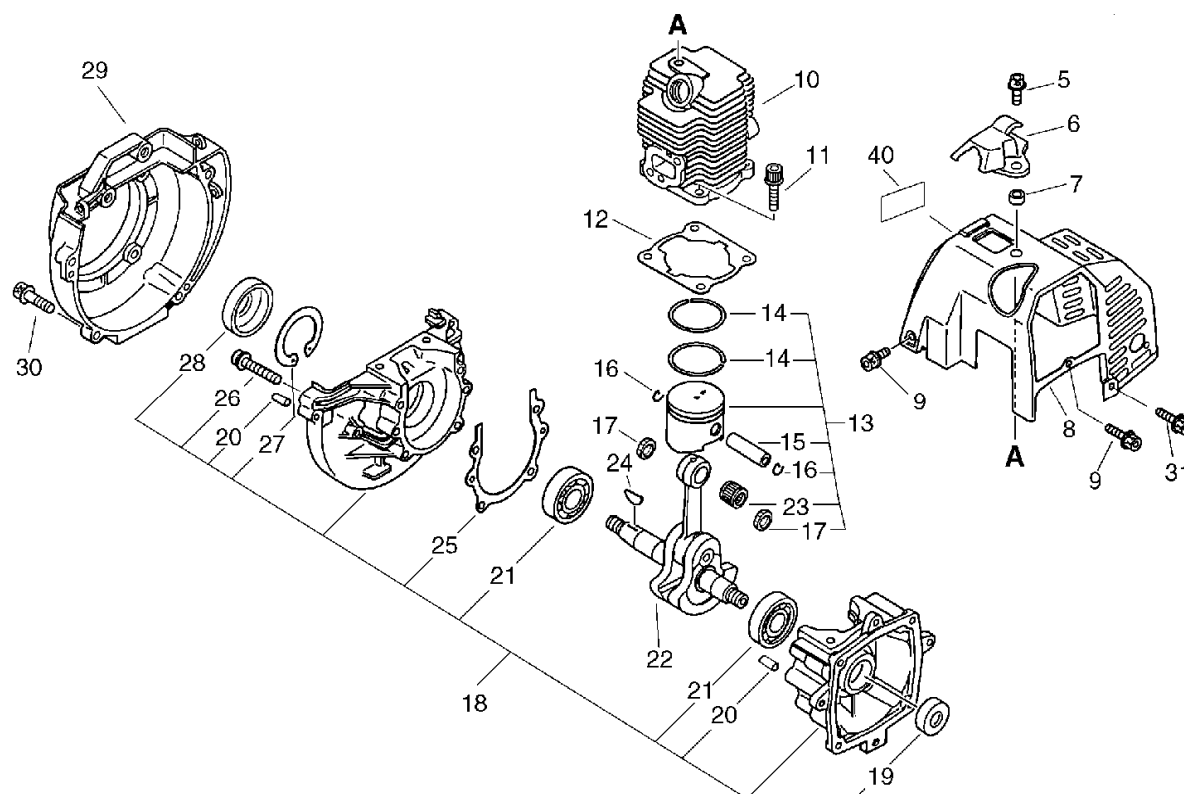
RM-356



RM-356

1. Cylinder, Crankcase, Piston, Fan Cover

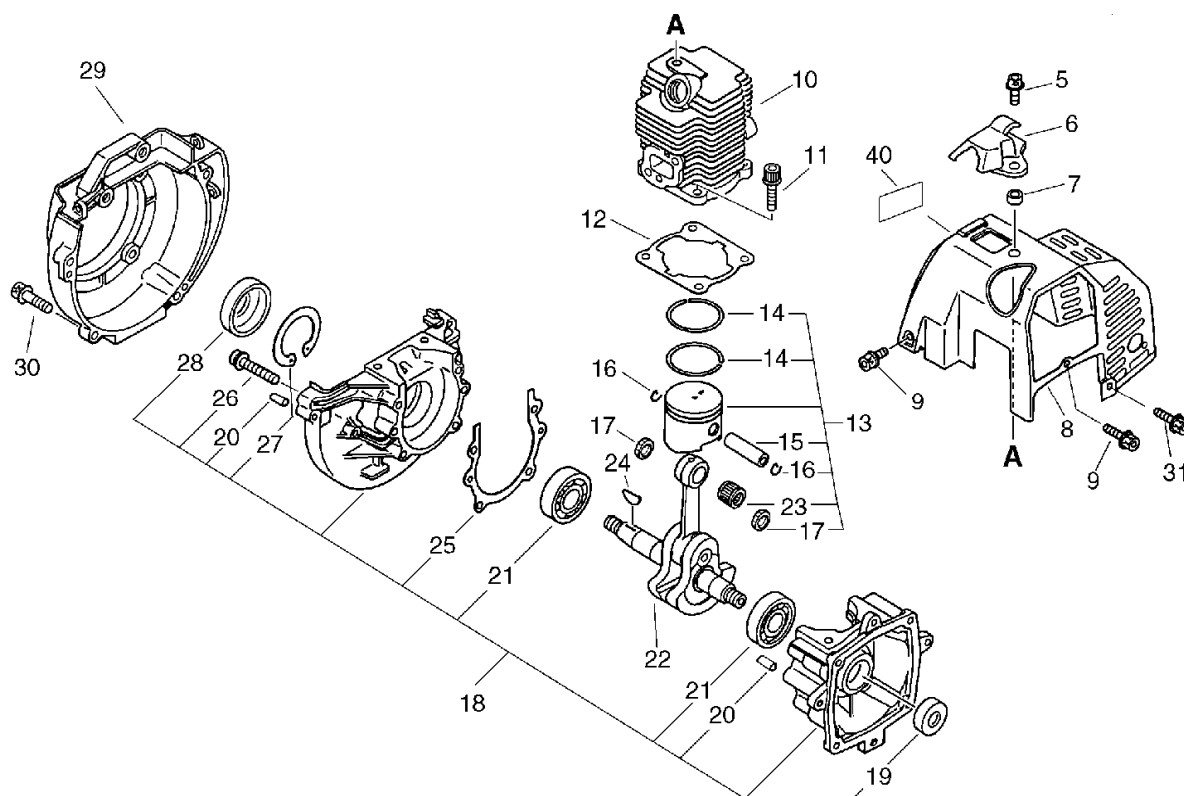
No.1



KEY	LV	PART NUMBER	Q'TY	DESCRIPTION	REMARKS	NOTE1	NOTE2
5		900162-05025	1	BOLT, H.S. 5*25	5*25 W,SW		
6		132112-46630	1	HOLDER, FUEL PIPE			
7		159906-46430	1	COLLAR	6.2*12*8		
8		101506-46431	1	COVER, CYLINDER			
9		900162-05014	3	BOLT, H.S. 5*14	5*14 W,SW		
10		101011-46431	1	CYLINDER			
11		900162-05020	4	BOLT, H.S. 5*20	5*20 W,SW		
12		101010-46431	1	GASKET, CYL. BASE			
13		100000-53630	1	PISTON KIT		Sus. by 100000-53631	
13		100000-53631	1	PISTON KIT			
14	+	100011-46430	2	RING, PISTON			
15	+	100013-27430	1	PIN, PISTON			
16	+	100015-03930	2	CIRCLIP, PISTON PIN		Sus. by 100015-03931	
16	+	100015-03931	2	CIRCLIP, PISTON PIN			
17	+	100014-53630	2	SPACER, PISTON PIN			
23	+	100012-00720	1	BEARING, NEEDLE		Sus. by 100012-16131	
23	+	100012-16131	1	BEARING, NEEDLE			
18		100204-46430	1	CRANKCASE KIT			
19	+	100213-05530	1	OILSEAL	ISCD 12 22 7		
20	+	100215-02830	4	PIN, DOWEL			
21	+	900810-36201	2	BEARING, BALL 6201	6201/C3	Sus. by 94035-36201	
21	+	94035-36201	2	BEARING BALL	6201X3JR2C3		

1. Cylinder, Crankcase, Piston, Fan Cover

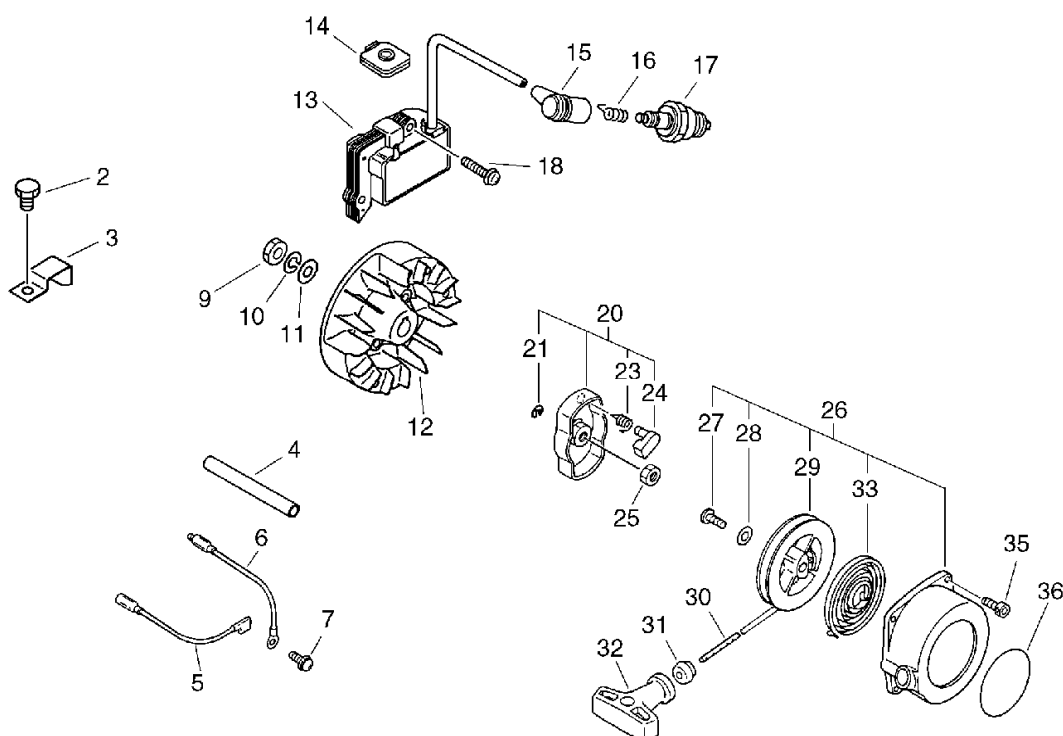
No.1



KEY	LV	PART NUMBER	Q'TY	DESCRIPTION	REMARKS	NOTE1	NOTE2
25	+	100242-46430	1	GASKET, CRANKCASE			
26	+	900242-05030	4	SCREW 5*30	5*30		
27	+	900702-00032	1	CIRCLIP 32	CR-32		
28	+	100212-03930	1	OILSEAL	ISCX12*32*5.5		
22		100100-53630	1	CRANKSHAFT ASSY			
24		100142-12330	1	KEY, WOODRUFF			
29		101535-46431	1	COVER, FAN		Sus. by 101511-46431	
29		101511-46431	1	COVER, FAN			
30		900162-05020	4	BOLT, H.S. 5*20	5*20 W,SW		
31		900162-04012	1	BOLT, H.S. 4*12	4*12 W,SW		
40		890611-51930	1	LABEL, MODEL			

2. Starter, Magneto

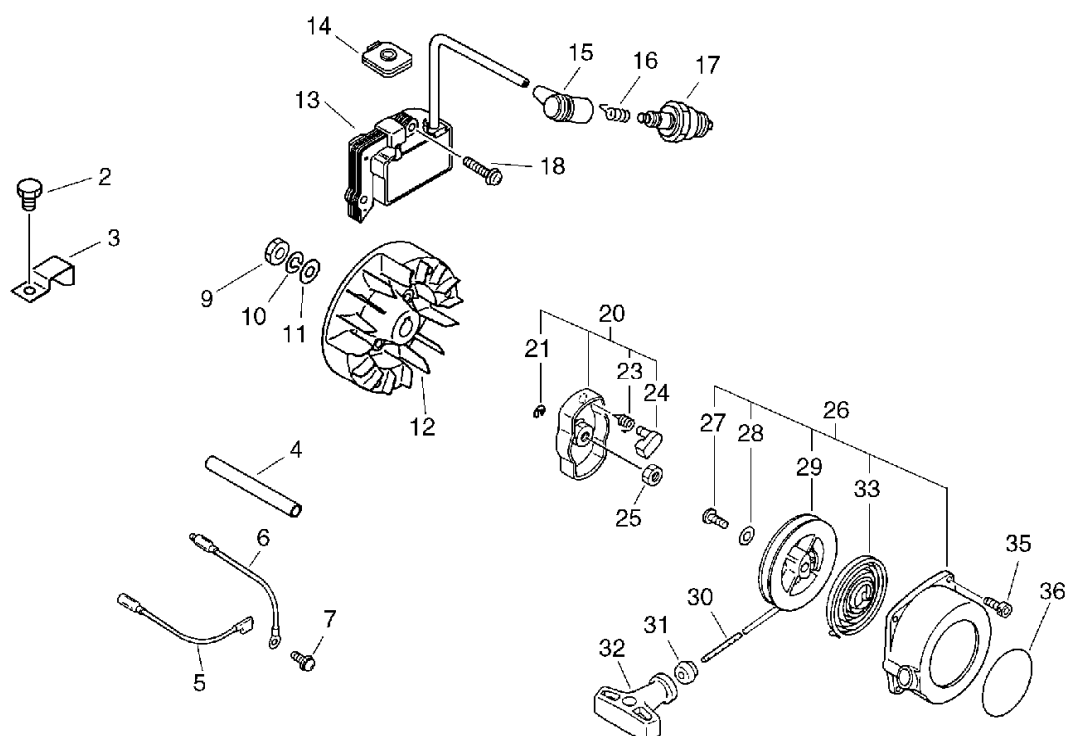
No.2



KEY	LV	PART NUMBER	Q'TY	DESCRIPTION	REMARKS	NOTE1	NOTE2
2		610250-45930	1	BOLT			
3		1781111-51630	1	HOLDER, CABLE			
4		178127-46630	1	TUBE	10*11*70		
5		162010-46630	1	LEAD, GROUND		Sus. by 162021-46630	
5		162021-46630	1	LEAD			
6		162010-41630	1	LEAD, GROUND		Sus. by 162075-46630	
6		162075-46630	1	LEAD			
7		900242-05010	1	SCREW 5*10	5*10		
9		900502-00008	1	NUT 8 (3N)	3N8		
10		900605-00008	1	WASHER, SPRING 8	8		
11		900600-00008	1	WASHER 8	8		
12		156801-52930	1	FLYWHEEL			
13		156601-46430	1	C.D.IGNITION MODULE			
14		152112-46430	1	BUSHING			
15		159012-03433	1	CAP, SPARK PLUG			
16		159011-03432	1	COIL, SPARK PLUG			
17		159010-10230	1	PLUG, SPARK (BPMR-7A)	BPMR-7A		
18		900242-05020	2	SCREW 5*20	5*20		
20		177202-41030	1	PAWL ASSY, STARTER			
21	+	900700-00004	1	E-RING 4	CE-4		
23	+	177234-40630	1	SPRING, RETURN			
24	+	177218-40630	1	PAWL, STARTER	WHITE		
25		900502-00008	1	NUT 8 (3N)	3N8		

2. Starter, Magneto

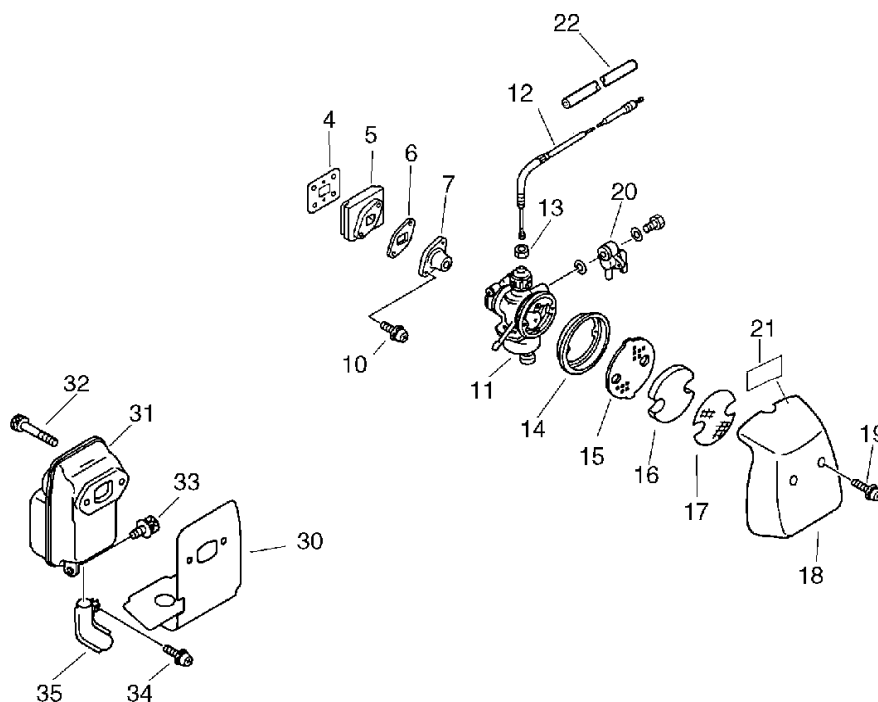
No.2



KEY	LV	PART NUMBER	Q'TY	DESCRIPTION	REMARKS	NOTE1	NOTE2
26		177200-46430	1	STARTER ASSY		Sus. by 177200-46431	
26		177200-46431	1	STARTER ASSY			
27	+	177236-40630	1	SCREW			
28	+	177214-41030	1	WASHER			
29	+	177215-43130	1	DRUM, STARTER			
30	+	177226-01110	1	ROPE, STARTER	4.0*880		
31	+	177227-42030	1	GUIDE, ROPE			
32	+	177228-27030	1	GRIP, STARTER			
33	+	177220-40630	1	SPRING, REWIND			
35		900162-04014	4	BOLT, H.S. 4*14	4*14 W,SW		
36		890118-49330	1	LABEL, ECHO			

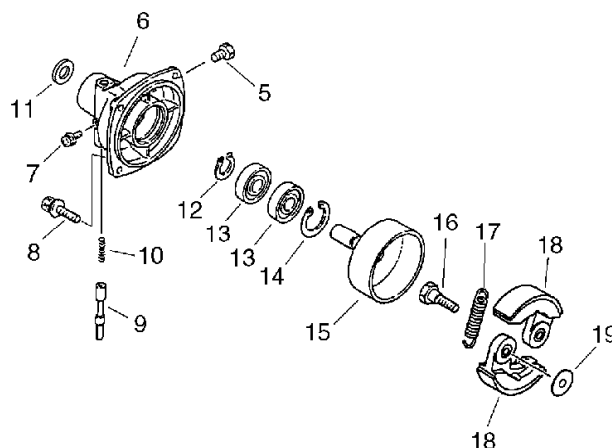
3. Air Cleaner, Muffler

No.3



KEY	LV	PART NUMBER	Q'TY	DESCRIPTION	REMARKS	NOTE1	NOTE2
4		130010-22430	1	GASKET, INSULATOR			
5		130017-46630	1	INSULATOR			
6		130010-46431	1	GASKET			
7		130510-22431	1	ADAPTER, INTAKE			
10		900242-05030	2	SCREW 5*30	5*30		
11		124000-50030	1	CARBURETOR ASSY	PC11R-1A	Sus. by 124000-50031	
11		124000-50031	1	CARBURETOR ASSEMBLY	PC11R-1A		
12		178004-42230	1	WIRE, THROTTLE	310*345		
13		178021-05530	1	LOCKNUT			
14		130314-27930	1	CASE, AIR CLEANER			
15		130319-27930	1	GRID, AIR CLEANER			
16		130310-27930	1	FILTER, AIR			
17		130311-27930	1	GRID, AIR CLEANER			
18		130307-42230	1	CASE, AIR CLEANER			
19		900242-04022	2	SCREW 4*22	4*22		
20		132200-00512	1	VALVE ASS'Y, FUEL			
21		890121-42230	1	LABEL, CHOKE			
22		178127-04930	1	TUBE	7*11*30 BL		
30		145910-46631	1	INSULATOR, MUFFLER			
31		145610-46630	1	MUFFLER			
32		900105-05016	2	BOLT, H.S. 5*16	5*16		
33		900162-05014	1	BOLT, H.S. 5*14	5*14 W,SW		
34		900242-05014	1	SCREW 5*14	5*14		
35		145619-46630	1	GUIDE, EXHAUST			

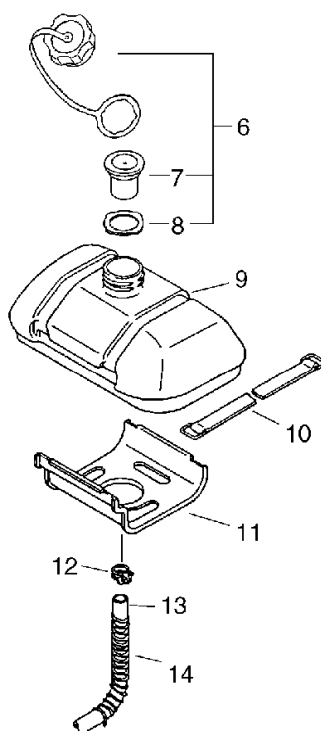
4. Clutch



KEY	LV	PART NUMBER	Q'TY	DESCRIPTION	REMARKS	NOTE1	NOTE2
5		900100-06008	1	BOLT 6*8	6*8		
6		610223-46631	1	CASE, CLUTCH			
7		900241-04008	1	SCREW 4*8	4*8		
8		900162-05016	4	BOLT, H.S. 5*16	5*16 W,SW		
9		610252-45931	1	LOCKPIN			
10		610251-45930	1	SPRING			
11		175313-20430	1	RING, FELT			
12		900701-00012	1	CIRCLIP 12	CS-12		
13		900808-06001	2	BEARING, BALL 6001VV	6001VV(LLB)		
14		900702-00028	1	CIRCLIP 28	CR-28		
15		175005-46630	1	DRUM, CLUTCH			
16		175046-46430	2	BOLT, CLUTCH			
17		175018-27931	1	SPRING, CLUTCH		Sus. by 175018-49932	
17		175018-27932	1	SPRING, CLUTCH		Sus. by 175018-49932	
17		175018-49931	1	SPRING, CLUTCH		Sus. by 175018-49932	
17		175018-49932	1	SPRING, CLUTCH			
18		175009-46431	2	SHOE, CLUTCH		Sus. by A553-000000	
18		A553-000000	2	ARM, CLUTCH			
19		175048-05530	2	WASHER (I)	6.2*19*1.0		

5. Fuel Tank

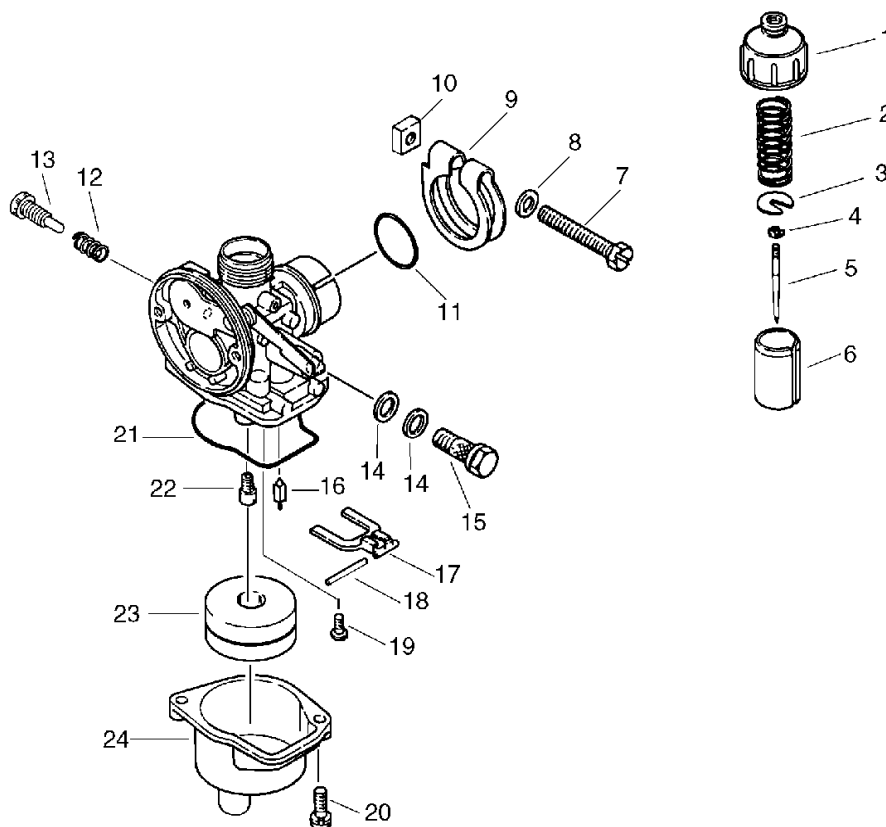
No.5



KEY	LV	PART NUMBER	Q'TY	DESCRIPTION	REMARKS	NOTE1	NOTE2
6		131600-21060	1	CAP ASSY, FUEL TANK			
7	+	131003-21230	1	CUP SET, VENT			
8	+	131016-21060	1	GASKET, FUEL CAP			
9		131010-22030	1	TANK, FUEL			
10		131917-21530	2	BAND, FUEL TANK			
11		131920-22030	1	CUSHION			
12		132013-00360	2	CLIP, PIPE	11MM		
13		132010-46630	1	PIPE, FUEL	7*11*470 BL		
14		132015-22030	1	COIL, FUEL PIPE			

6. Carburetor

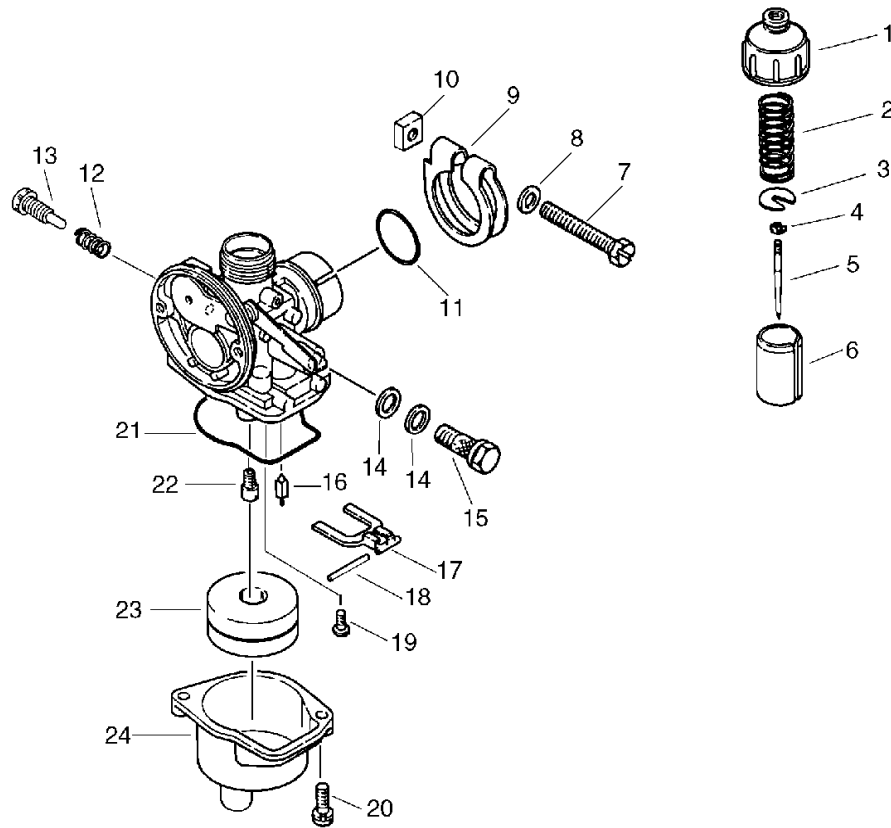
No.6



KEY	LV	PART NUMBER	Q'TY	DESCRIPTION	REMARKS	NOTE1	NOTE2
		124000-50030	1	CARBURETOR ASSY	PC11R-1A	Sus. by 124000-50031	
		124000-50031	1	CARBURETOR ASSEMBLY	PC11R-1A		
1	+	124113-05530	1	COVER, TOP			
2	+	124114-05530	1	SPRING, THROTTLE			
3	+	124115-05530	1	SEAT, SPRING			
4	+	124116-05530	1	E-RING			
5	+	124117-50030	1	NEEDLE, JET			
6	+	124118-47230	1	VALVE, THROTTLE			
7	+	124147-46630	1	BOLT			
8	+	900600-00005	1	WASHER 5	5		
9	+	124146-46630	1	CLIP, OUTLET			
10	+	124151-46630	1	NUT			
11	+	124149-46630	1	GASKET, FRANGE			
12	+	124160-11120	1	SPRING, IDLE ADJUST			
13	+	124159-46630	1	SCREW, IDLE ADJUST			
14	+	124130-05930	2	GASKET		Sus. by 124130-11120	
14	+	124130-11120	2	GASKET			
15	+	124131-05930	1	BOLT, BANJO			
16	+	124102-11120	1	VALVE ASY, NEEDLE			
17	+	124121-46630	1	ARM, FLOAT			
18	+	124132-46630	1	PIN, LEVER			
19	+	900220-03006	1	SCREW 3*6	3*6		
20	+	900220-04016	2	SCREW 4*16	4*16		

6. Carburetor

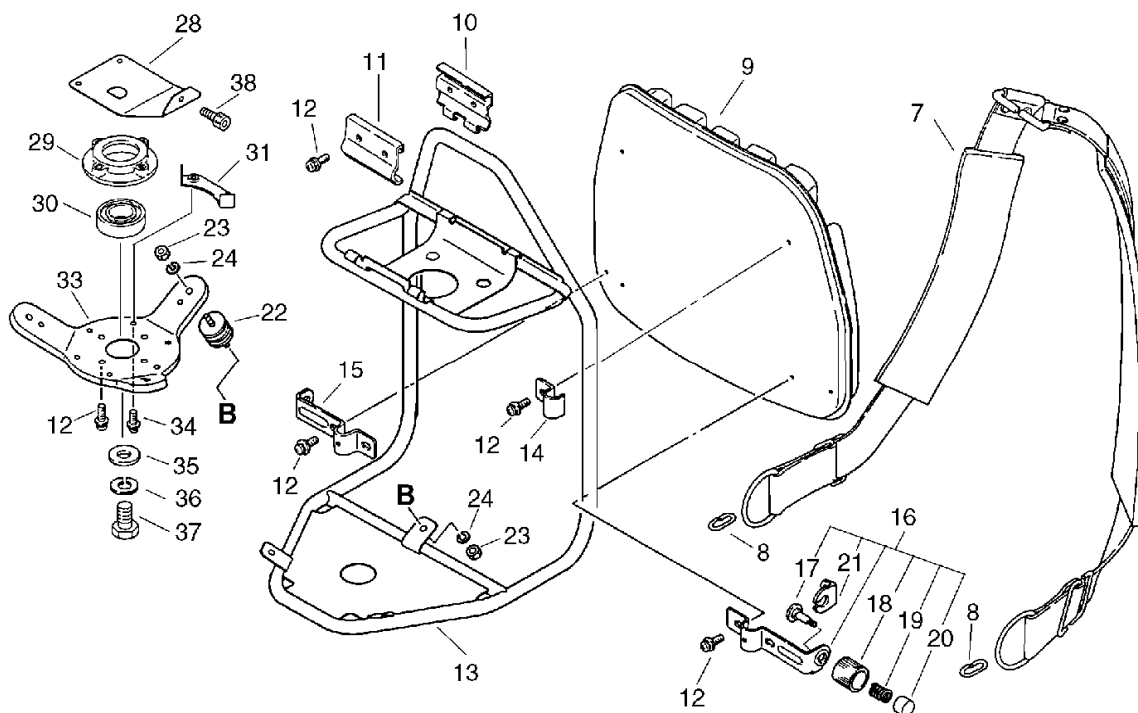
No.6



KEY	LV	PART NUMBER	Q'TY	DESCRIPTION	REMARKS	NOTE1	NOTE2
21	+	124123-46630	1	GASKET, CHAMBER			
21	+	124123-46631	2	GASKET, CHAMBER			Sus. by 124123-46631
22	+	124122-46630	1	JET, MAIN			
23	+	124133-11120	1	FLOAT			
24	+	124104-46630	1	CHAMBER ASY, FLOAT			

7. Harness

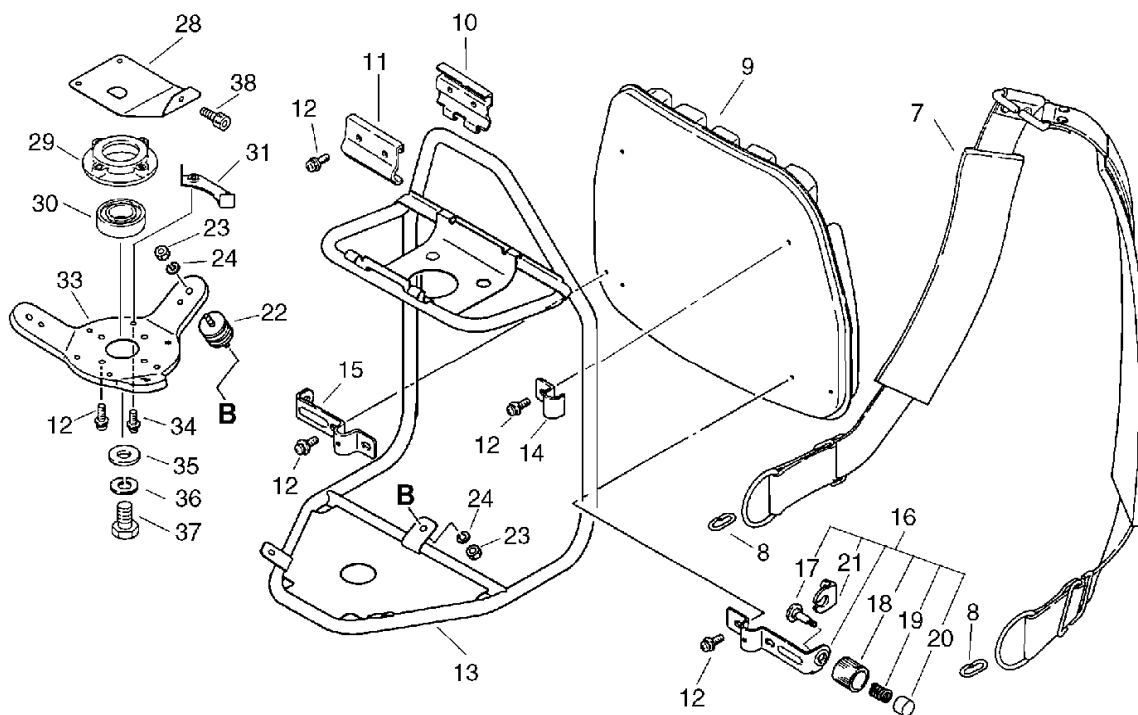
No.7



KEY	LV	PART NUMBER	Q'TY	DESCRIPTION	REMARKS	NOTE1	NOTE2
7		300300-50130	1	HARNESS, BACKPACK			
8		300319-01611	2	RING, HARNESS			
9		300105-27630	1	CUSHION			
10		300610-22030	1	PLATE, KNAPSACK BAND			
11		300616-22030	1	PLATE, KNAPSACK BAND			
12		900242-05012	12	SCREW 5*12	5*12		
13		300005-46531	1	FRAME, BACKPACK			
14		300220-20430	2	BRACKET, CUSHION			
15		300226-27631	1	PLATE (L)			
16		300200-27630	1	BRACKET ASSY			
17	+	300715-27630	1	SHAFT			
18	+	300717-27630	1	GUARD			
19	+	300713-27630	1	SPRING			
20	+	300711-27630	1	BUTTON			
21	+	300716-27630	1	PLATE			
22		100907-45930	3	CUSHION			
23		900500-00005	6	NUT 5	5		
24		900605-00005	6	WASHER, SPRING 5	5		
28		104908-46631	1	BRACKET, ENGINE			
29		699226-05430	1	HOLDER, BEARING			
30		900814-06202	1	BEARING, BALL 6202	6202ZZ	Sus. by 94064-06202	
30		94064-06202	1	BEARING BALL	BB6202ZZ		
31		104931-27630	1	STOPPER			
33		104925-45930	1	PLATE			
34		900242-04010	2	SCREW 4*10	4*10		

7. Harness

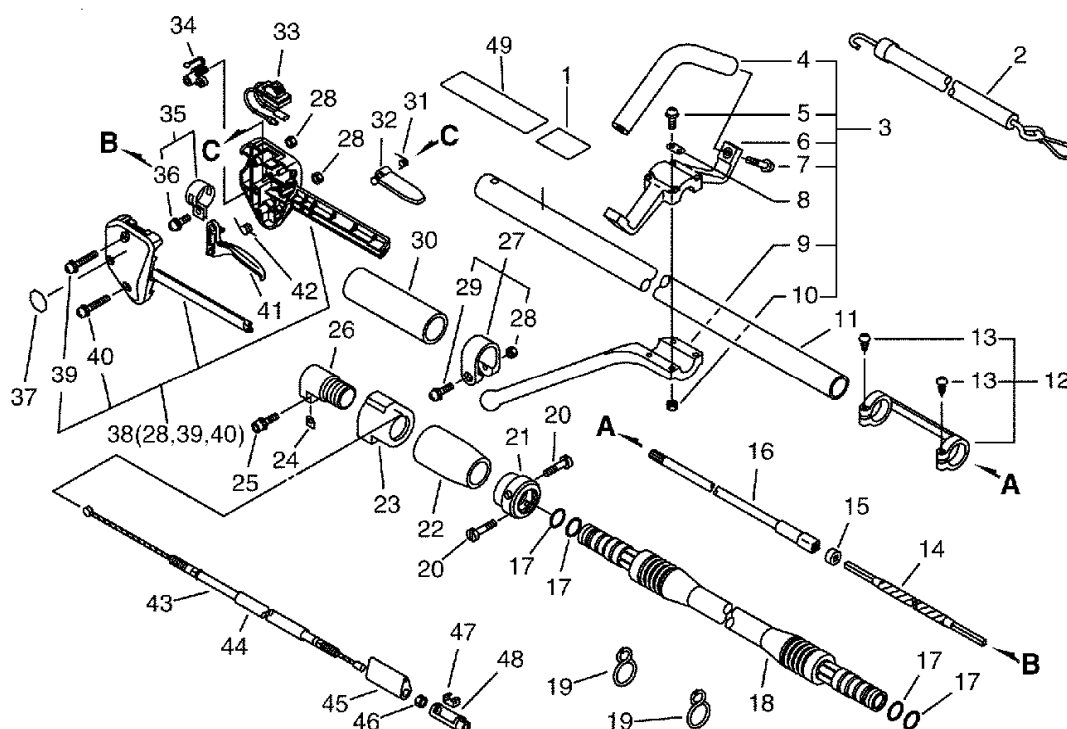
No.7



KEY	LV	PART NUMBER	Q'TY	DESCRIPTION	REMARKS	NOTE1	NOTE2
35		900600-00010	1	WASHER 10	10		
36		900605-00010	1	WASHER, SPRING 10	10		
37		900100-10020	1	BOLT 10*20	10*20		
38		900105-05012	3	BOLT, H.S. 5*12	5*12		

8. Handle

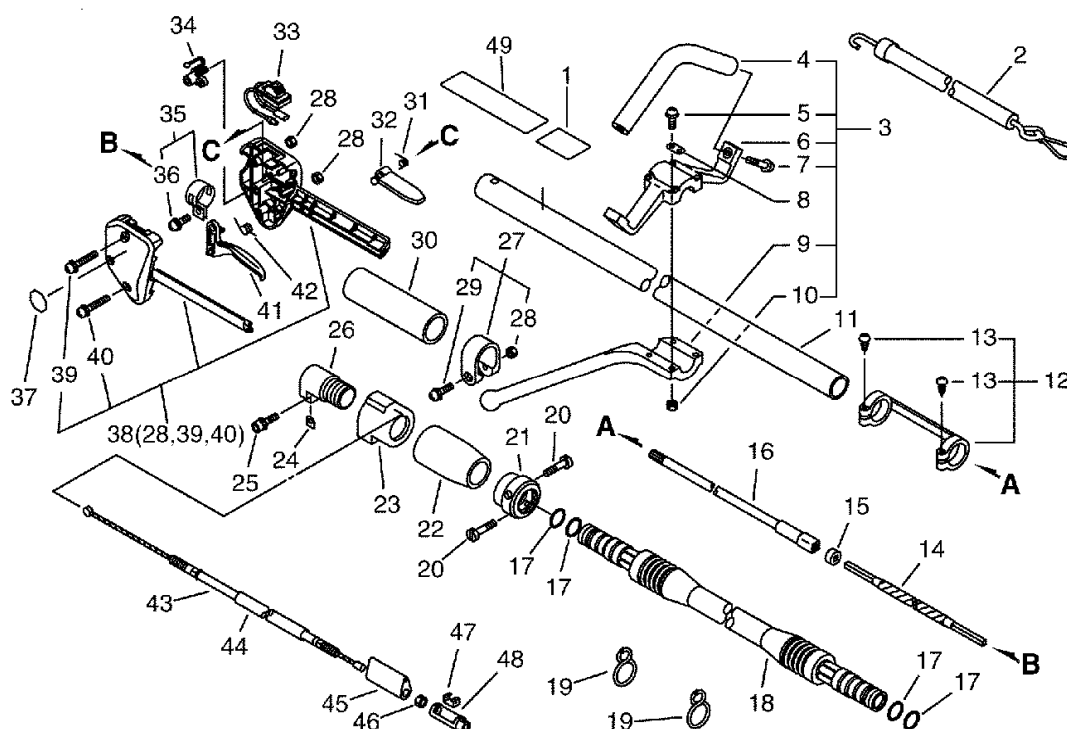
No.8



KEY	LV	PART NUMBER	Q'TY	DESCRIPTION	REMARKS	NOTE1	NOTE2
1		890160-42230	1	LABEL, CAUTION			
2		300500-07131	1	ROPE, ELASTIC			
3		351201-50430	1	HANDLE ASSY, LOOP		Sus. by 351201-50431	
3		351201-50431	1	HANDLE ASSY, LOOP			
4	+	351205-07130	1	HANDLE		Sus. by 351205-07131	
4	+	351205-07131	1	HANDLE			
5	+	900242-05035	4	SCREW 5*35	5*35		
6	+	351232-07130	1	BRACKET, HANDLE 28			
7	+	900242-05014	2	SCREW 5*14	5*14		
9	+	351643-55630	1	BRACKET, HANDLE			
10	+	900500-00005	4	NUT 5	5		
8		300515-07130	1	PLATE, ROPE			
11		610206-42230	1	HOUSING ASSY, D.SHFT			
12		610280-42230	1	COLLAR		Sus. by 610281-42230	
12		610281-42230	1	COLLER			
13	+	900253-04025	2	SCREW 4*25	4*25		
14		610013-27630	1	SHAFT, FLEXIBLE(HARD)			
15		610020-07131	1	ADAPTER, FLX. SHAFT			
16		610011-51630	1	SHAFT, DRIVE	8*1494L		
17		900720-00018	4	O-RING 18	P-18		
18		610209-42230	1	COVER, FLEXIBLE			
19		300318-56330	2	HOOK	9*30		
20		610257-27630	2	BOLT			

8. Handle

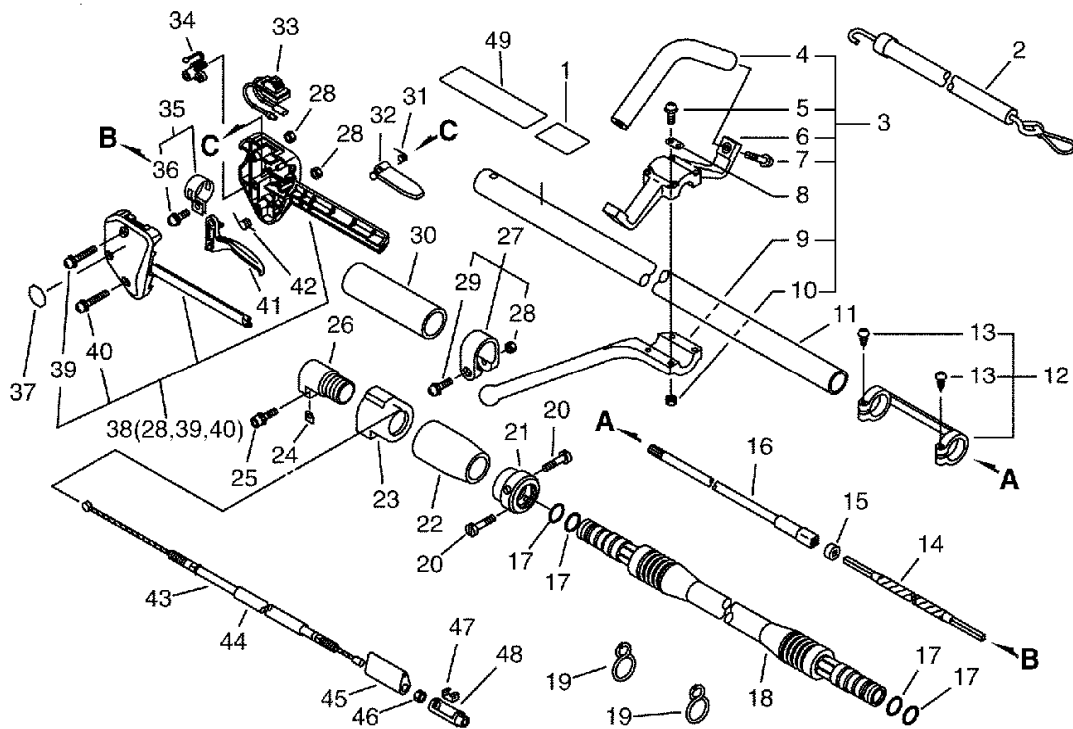
No.8



KEY	LV	PART NUMBER	Q'TY	DESCRIPTION	REMARKS	NOTE1	NOTE2
21		610260-27630	1	SPACER, D/S HOUSING			
22		610276-27631	1	COVER			
23		610275-42230	1	BOOT, CONNECTOR			
24		610239-04130	1	WASHER, SHIM			
25		900162-05030	1	BOLT, H.S. 5*30	5*30 W,SW		
26		610248-42230	1	CONNECTOR			
27		610272-51830	1	BAND			
28	+	900500-00005	1	NUT 5	5		
29	+	900242-05028	1	SCREW 5*28	5*28		
30		351213-51830	1	GRIP, FRONT HANDLE			
31		178013-52630	1	SPRING, THR. LOCK			
32		178090-52630	1	LOCKOUT, T. CONTROL		Sus. by 178090-52632	
32		178090-52631	1	LOCKOUT, T. CONTROL		Sus. by 178090-52632	
32		178090-52632	1	LOCKOUT, T. CONTROL			
33		163400-41630	1	SWITCH, IGNITION			
34		178012-52630	1	LOCKOUT, THROTTLE			
35		301200-42230	1	HOOK ASSY			
36	+	900242-05012	1	SCREW 5*12	5*12	Sus. by 900242-05014	
36	+	900242-05014	1	SCREW 5*14	5*14		
37		890157-39130	1	LABEL, SWITCH			
38		178003-51830	1	BRACKET SET, THROTTLE			
28	+	900500-00005	2	NUT 5	5		
39	+	900242-05035	1	SCREW 5*35	5*35		

8. Handle

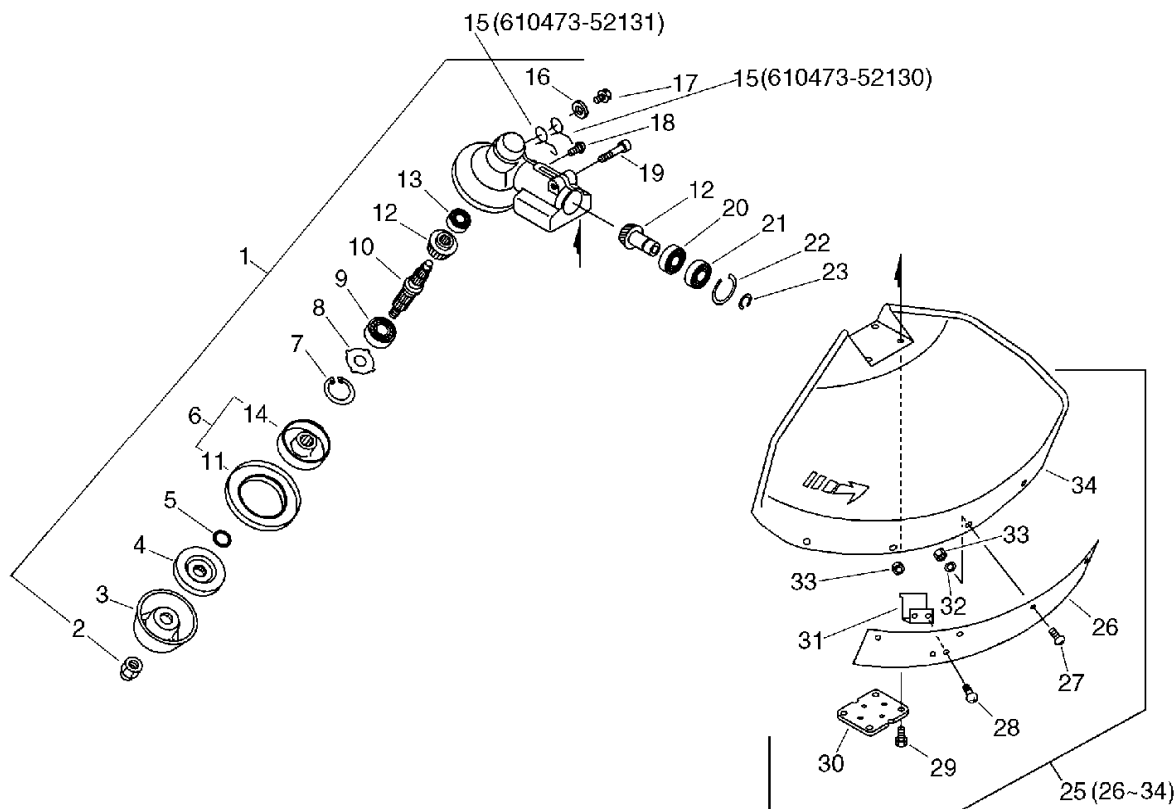
No.8



KEY	LV	PART NUMBER	Q'TY	DESCRIPTION	REMARKS	NOTE1	NOTE2
40	+	900242-05025	1	SCREW 5*25	5*25		
41		178010-52130	1	CONTROL, THROTTLE			
42		178043-42230	1	SPRING, THR. RETURN			
43		178001-51630	1	WIRE, THROTTLE			
44		178127-42230	1	TUBE	10*11*810		
45		178128-22130	1	SLEEVE			
46		178021-05530	1	LOCKNUT			
47		178049-06630	1	CONNECTOR			
48		178114-05630	1	CONNECTOR, THR. WIRE			
49		890617-46830	1	LABEL, CAUTION		Sus. by 890617-43130	
49		890617-43130	1	LABEL, CAUTION			

9. Gear Case, Shield

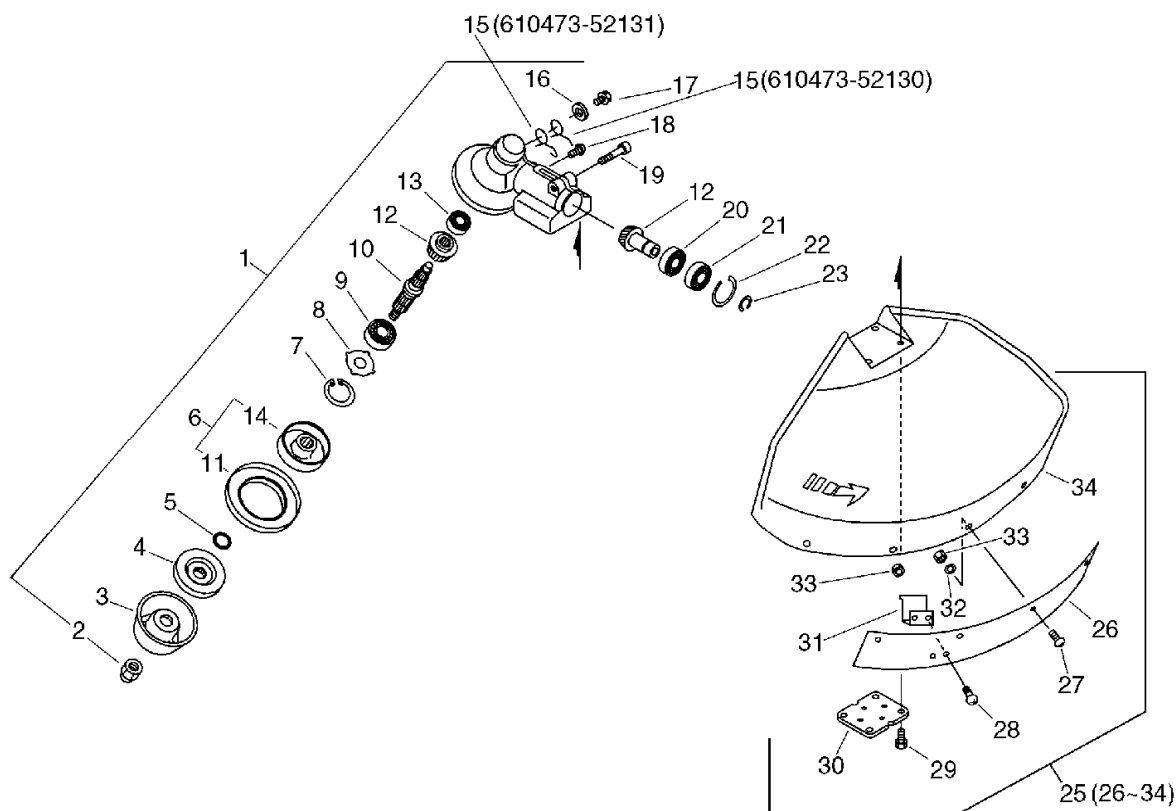
No.9



KEY	LV	PART NUMBER	Q'TY	DESCRIPTION	REMARKS	NOTE1	NOTE2
1		610400-56930	1	HOUSING ASSY, GEAR		Sus. by 610400-56932	
1		610400-56931	1	CASE ASY, GEAR		Sus. by 610400-56932	
1		610400-56932	1	CASE ASY, GEAR			
2	+	610320-52130	1	NUT 10			
3	+	699229-56830	1	PLATE, COVER			
4	+	610314-52130	1	PLATE, ADAPTER (L)			
5	+	900720-00012	1	O-RING 12	P-12		
6	+	610313-52930	1	PLATE, ADAPTER (U)		Sus. by C535-000001	
6	+	C535-000000	1	FIXTURE, BLADE		Sus. by C535-000001	
6	+	C535-000001	1	FIXTURE, BLADE			
11	++	610352-56830	1	PLATE, CUP			
14	++	C535-000010	1	FIXTURE, BLADE		Sus. by C535-000011	
14	++	C535-000011	1	FIXTURE, BLADE			
7	+	900702-00032	1	CIRCLIP 32	CR-32		
8	+	610444-56830	1	WASHER			
9	+	900812-06201	1	BEARING, BALL 6201	6201DDU(LLU)		
10	+	610310-56930	1	SHAFT, P.T.O.			
12	+	610300-56930	1	GEAR SET			
13	+	900810-00629	1	BEARING, BALL 629	629		

9. Gear Case, Shield

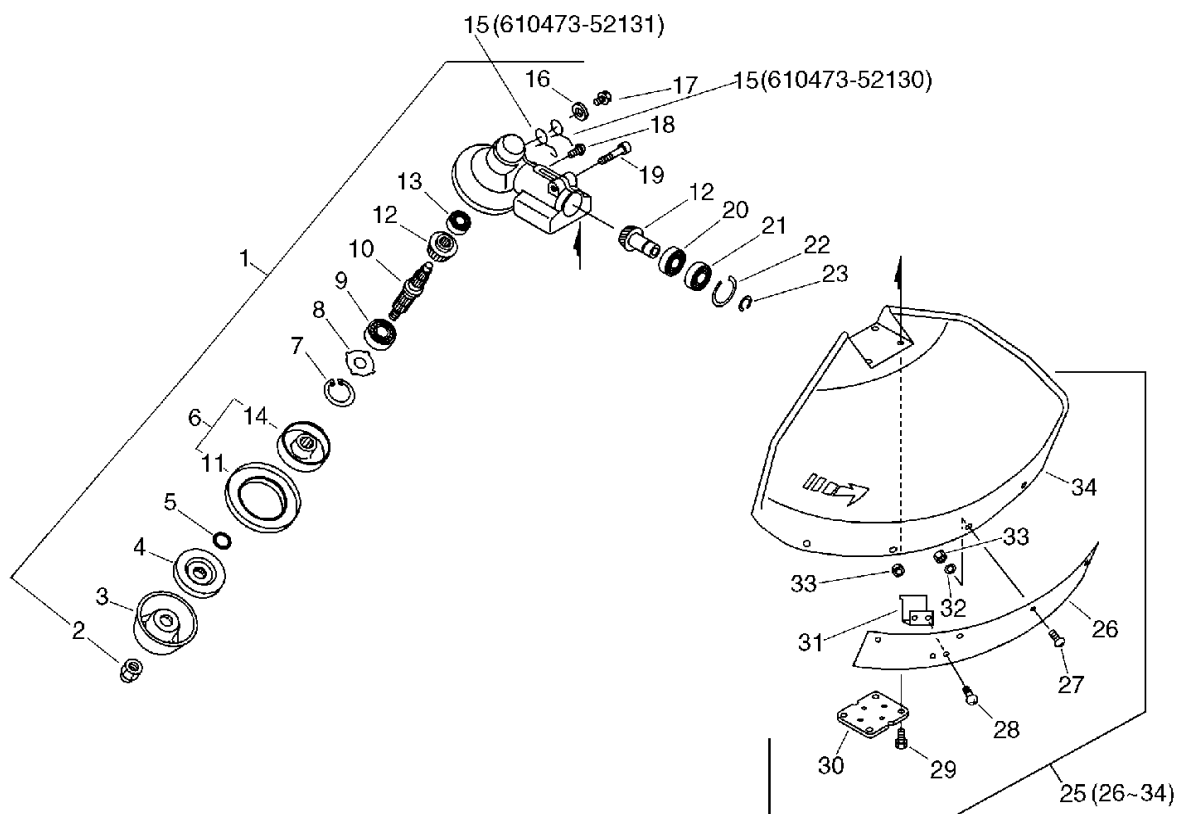
No.9



KEY	LV	PART NUMBER	Q'TY	DESCRIPTION	REMARKS	NOTE1	NOTE2
15	+	610473-52130	1	SPRING, TORSION		Can be used on the 610313-52930 only	
15	+	610473-52131	1	SPRING		Can be used on the C535-000000 only	
16	+	900603-50008	1	WASHER	8.5*18*0.8T		
17	+	610434-50030	1	BOLT 8*6		Sus. by 610434-50031	
17	+	610434-50031	1	BOLT 8*8	M8*8		
18	+	900242-05010	1	SCREW 5*10	5*10		
19	+	900162-06030	1	BOLT, H.S. 6*30	6*30W, SW		
20	+	900800-06001	1	BEARING, BALL 6001	6001		
21	+	900807-06001	1	BEARING, BALL 6001	6001V(LB)	Sus. by 900803-06001	
21	+	900803-06001	1	BEARING, BALL 6001	6001Z		
22	+	900702-00028	1	CIRCLIP 28	CR-28		
23	+	900701-00012	1	CIRCLIP 12	CS-12		
25		699000-52930	1	SHIELD ASSY		Sus. by 699000-52931	
25		699000-52931	1	SHIELD ASY			
26	+	699013-52130	1	PLATE, SHIELD			
27	+	900162-05018	4	BOLT, H.S. 5*18	5*18 W,SW		
28	+	900162-05014	2	BOLT, H.S. 5*14	5*14 W,SW		
29	+	900162-05025	4	BOLT, H.S. 5*25	5*25 W,SW		
30	+	699013-56830	1	PLATE, SHIELD			

9. Gear Case, Shield

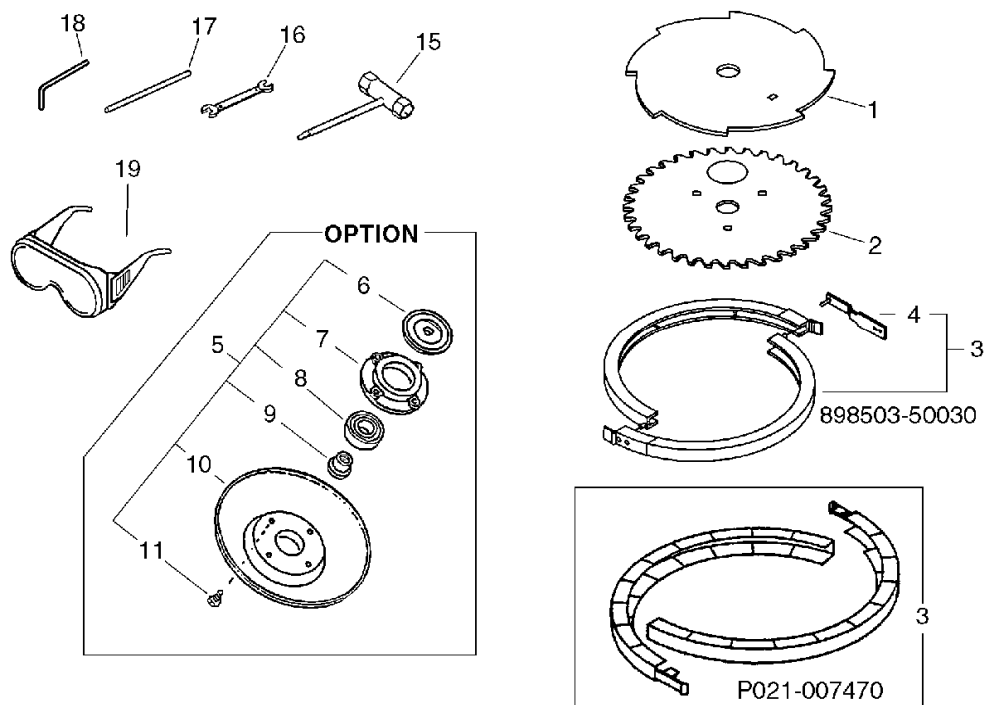
No.9



KEY	LV	PART NUMBER	Q'TY	DESCRIPTION	REMARKS	NOTE1	NOTE2
31	+	699016-52130	1	KNIFE, CORD		Sus. by 699016-54530	
31	+	699016-54530	1	KNIFE			
32	+	900603-00005	4	WASHER 5	5.5*12*0.8		
33	+	900500-00005	6	NUT 5	5		
34	+	699010-52931	1	SHIELD, BLADE			

10. Free Cup, Blade, Tools

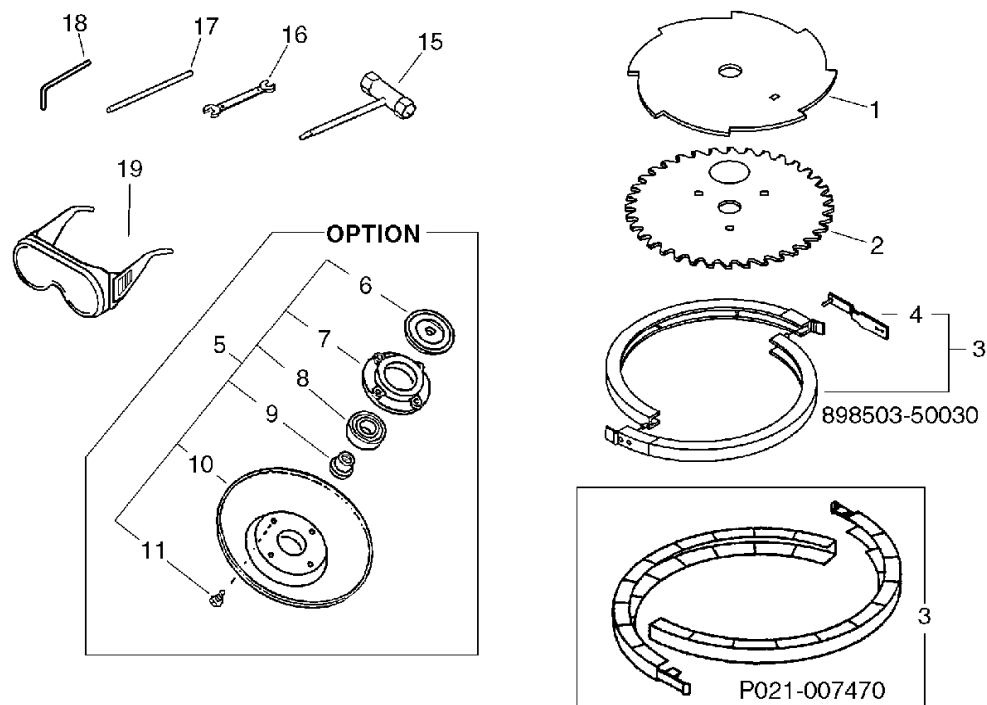
No.10



KEY	LV	PART NUMBER	Q'TY	DESCRIPTION	REMARKS	NOTE1	NOTE2
1		696001-55630	1	BLADE, 8-CUTTER 10IN		Sus. by 696001-55631	
1		696001-55631	1	BLADE, 8-CUTTER 10IN	255*8T*1.4 PD25		
2		695001-55630	1	SAW,CIRCULAR 10*80T		Sus. by 695001-55631	
2		695001-55631	1	SAW, CIRCULAR 10*80T	255*80T*1.4 PD25		
3		898503-50030	1	SCABBARD KIT, BLADE		Sus. by P021-007470	
3		P021-007470	1	SCABBARD, BLADE			
4	+	898562-43230	1	FIXTURE, SCABBARD		can be used on 898503-50030 only	
5		699200-56830	1	CAP ASSY, FREE		OPTION	
6	+	610313-56830	1	PLATE, ADAPTER (U)		OPTION	
7	+	699226-05430	1	HOLDER, BEARING		OPTION	
8	+	900814-06202	1	BEARING, BALL 6202	6202ZZ	OPTION	
9	+	699227-04630	1	NUT		OPTION	
10	+	699228-08930	1	PLATE, COVER		OPTION	
11	+	900141-05012	4	BOLT 5*12	5*12	OPTION	
15		895410-08030	1	WRENCH, W/S. DRIVER		Sus. by X602-000020	
15		X602-000020	1	TOOL, WRENCH	17*19 L200		
16		895112-00330	1	SPANNER 8*10			
17		897518-01131	1	LOCKING TOOL			

10. Free Cup, Blade, Tools

No.10



KEY	LV	PART NUMBER	Q'TY	DESCRIPTION	REMARKS	NOTE1	NOTE2
18		895610-00130	1	L-WRENCH (4MM)			
19		899580-40930	1	GOGGLE		Sus. by P021-002861	
19		899580-68730	1	SAFETY GLASSES			
19		P021-002861	1	GOGGLES			

Index

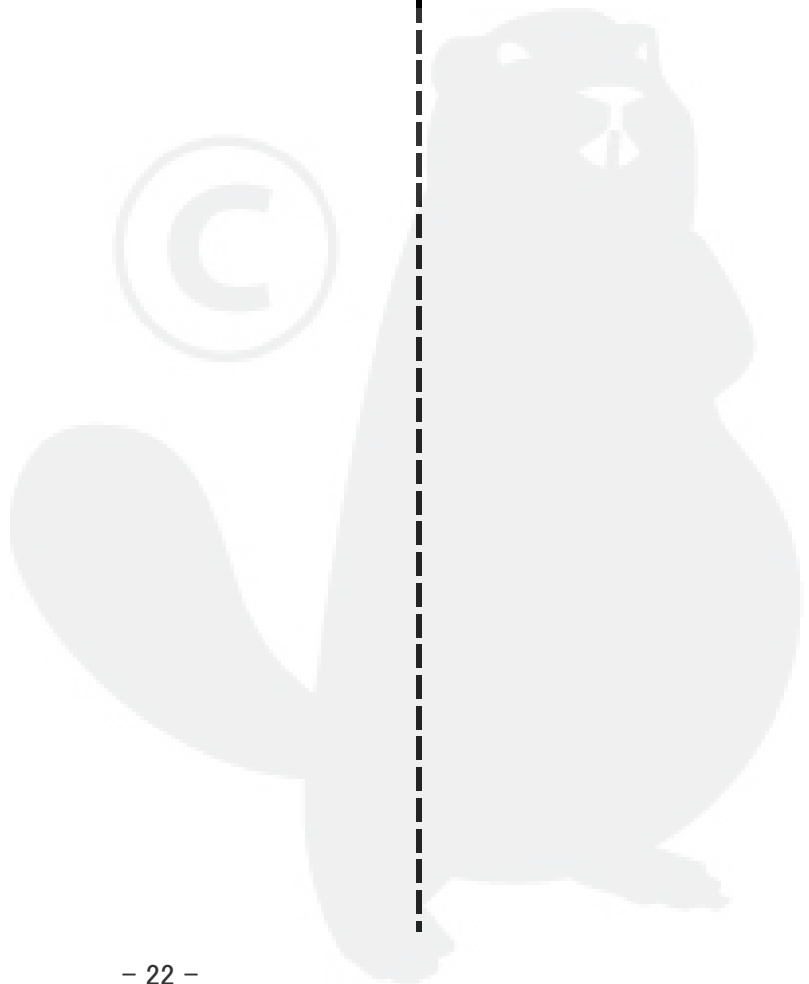
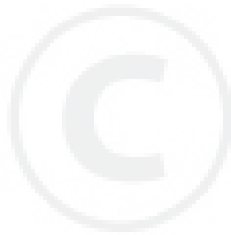
Patrs Number	Key No.	Patrs Number	Key No.	Patrs Number	Key No.
100000-53630	1 - 13	124151-46630	6 - 10	177202-41030	2 - 20
100000-53631	1 - 13	124159-46630	6 - 13	177214-41030	2 - 28
100011-46430	1 - 14	124160-11120	6 - 12	177215-43130	2 - 29
100012-00720	1 - 23	130010-22430	3 - 4	177218-40630	2 - 24
100012-16131	1 - 23	130010-46431	3 - 6	177220-40630	2 - 33
100013-27430	1 - 15	130017-46630	3 - 5	177226-01110	2 - 30
100014-53630	1 - 17	130307-42230	3 - 18	177227-42030	2 - 31
100015-03930	1 - 16	130310-27930	3 - 16	177228-27030	2 - 32
100015-03931	1 - 16	130311-27930	3 - 17	177234-40630	2 - 23
100100-53630	1 - 22	130314-27930	3 - 14	177236-40630	2 - 27
100142-12330	1 - 24	130319-27930	3 - 15	178001-51630	8 - 43
100204-46430	1 - 18	130510-22431	3 - 7	178003-51830	8 - 38
100212-03930	1 - 28	131003-21230	5 - 7	178004-42230	3 - 12
100213-05530	1 - 19	131010-22030	5 - 9	178010-52130	8 - 41
100215-02830	1 - 20	131016-21060	5 - 8	178012-52630	8 - 34
100242-46430	1 - 25	131600-21060	5 - 6	178013-52630	8 - 31
100907-45930	7 - 22	131917-21530	5 - 10	178021-05530	3 - 13
101010-46431	1 - 12	131920-22030	5 - 11	178021-05530	8 - 46
101011-46431	1 - 10	132010-46630	5 - 13	178043-42230	8 - 42
101506-46431	1 - 8	132013-00360	5 - 12	178049-06630	8 - 47
101511-46431	1 - 29	132015-22030	5 - 14	178090-52630	8 - 32
101535-46431	1 - 29	132112-46630	1 - 6	178090-52631	8 - 32
104908-46631	7 - 28	132200-00512	3 - 20	178090-52632	8 - 32
104925-45930	7 - 33	145610-46630	3 - 31	178111-51630	2 - 3
104931-27630	7 - 31	145619-46630	3 - 35	178114-05630	8 - 48
124000-50030	3 - 11	145910-46631	3 - 30	178127-04930	3 - 22
124000-50030	6 -	152112-46430	2 - 14	178127-42230	8 - 44
124000-50031	3 - 11	156601-46430	2 - 13	178127-46630	2 - 4
124000-50031	6 -	156801-52930	2 - 12	178128-22130	8 - 45
124102-11120	6 - 16	159010-10230	2 - 17	300005-46531	7 - 13
124104-46630	6 - 24	159011-03432	2 - 16	300105-27630	7 - 9
124113-05530	6 - 1	159012-03433	2 - 15	300200-27630	7 - 16
124114-05530	6 - 2	159906-46430	1 - 7	300220-20430	7 - 14
124115-05530	6 - 3	162010-41630	2 - 6	300226-27631	7 - 15
124116-05530	6 - 4	162010-46630	2 - 5	300300-50130	7 - 7
124117-50030	6 - 5	162021-46630	2 - 5	300318-56330	8 - 19
124118-47230	6 - 6	162075-46630	2 - 6	300319-01611	7 - 8
124121-46630	6 - 17	163400-41630	8 - 33	300500-07131	8 - 2
124122-46630	6 - 22	175005-46630	4 - 15	300515-07130	8 - 8
124123-46630	6 - 21	175009-46431	4 - 18	300610-22030	7 - 10
124123-46631	6 - 21	175018-27931	4 - 17	300616-22030	7 - 11
124130-05930	6 - 14	175018-27932	4 - 17	300711-27630	7 - 20
124130-11120	6 - 14	175018-49931	4 - 17	300713-27630	7 - 19
124131-05930	6 - 15	175018-49932	4 - 17	300715-27630	7 - 17
124132-46630	6 - 18	175046-46430	4 - 16	300716-27630	7 - 21
124133-11120	6 - 23	175048-05530	4 - 19	300717-27630	7 - 18
124146-46630	6 - 9	175313-20430	4 - 11	301200-42230	8 - 35
124147-46630	6 - 7	177200-46430	2 - 26	351201-50430	8 - 3
124149-46630	6 - 11	177200-46431	2 - 26	351201-50431	8 - 3

Index

Patrs Number	Key No.	Patrs Number	Key No.	Patrs Number	Key No.
351205-07130	8 - 4	699200-56830	10 - 5	900242-05014	8 - 7
351205-07131	8 - 4	699226-05430	10 - 7	900242-05014	8 - 36
351213-51830	8 - 30	699226-05430	7 - 29	900242-05020	2 - 18
351232-07130	8 - 6	699227-04630	10 - 9	900242-05025	8 - 40
351643-55630	8 - 9	699228-08930	10 - 10	900242-05028	8 - 29
610011-51630	8 - 16	699229-56830	9 - 3	900242-05030	1 - 26
610013-27630	8 - 14	890118-49330	2 - 36	900242-05030	3 - 10
610020-07131	8 - 15	890121-42230	3 - 21	900242-05035	8 - 5
610206-42230	8 - 11	890157-39130	8 - 37	900242-05035	8 - 39
610209-42230	8 - 18	890160-42230	8 - 1	900253-04025	8 - 13
610223-46631	4 - 6	890611-51930	1 - 40	900500-00005	7 - 23
610239-04130	8 - 24	890617-43130	8 - 49	900500-00005	8 - 10
610248-42230	8 - 26	890617-46830	8 - 49	900500-00005	8 - 28
610250-45930	2 - 2	895112-00330	10 - 16	900500-00005	8 - 28
610251-45930	4 - 10	895410-08030	10 - 15	900500-00005	9 - 33
610252-45931	4 - 9	895610-00130	10 - 18	900502-00008	2 - 9
610257-27630	8 - 20	897518-01131	10 - 17	900502-00008	2 - 25
610260-27630	8 - 21	898503-50030	10 - 3	900600-00005	6 - 8
610272-51830	8 - 27	898562-43230	10 - 4	900600-00008	2 - 11
610275-42230	8 - 23	899580-40930	10 - 19	900600-00010	7 - 35
610276-27631	8 - 22	899580-68730	10 - 19	900603-00005	9 - 32
610280-42230	8 - 12	900100-06008	4 - 5	900603-50008	9 - 16
610281-42230	8 - 12	900100-10020	7 - 37	900605-00005	7 - 24
610300-56930	9 - 12	900105-05012	7 - 38	900605-00008	2 - 10
610310-56930	9 - 10	900105-05016	3 - 32	900605-00010	7 - 36
610313-52930	9 - 6	900141-05012	10 - 11	900700-00004	2 - 21
610313-56830	10 - 6	900162-04012	1 - 31	900701-00012	4 - 12
610314-52130	9 - 4	900162-04014	2 - 35	900701-00012	9 - 23
610320-52130	9 - 2	900162-05014	1 - 9	900702-00028	4 - 14
610352-56830	9 - 11	900162-05014	3 - 33	900702-00028	9 - 22
610400-56930	9 - 1	900162-05014	9 - 28	900702-00032	1 - 27
610400-56931	9 - 1	900162-05016	4 - 8	900702-00032	9 - 7
610400-56932	9 - 1	900162-05018	9 - 27	900720-00012	9 - 5
610434-50030	9 - 17	900162-05020	1 - 11	900720-00018	8 - 17
610434-50031	9 - 17	900162-05020	1 - 30	900800-06001	9 - 20
610444-56830	9 - 8	900162-05025	1 - 5	900803-06001	9 - 21
610473-52130	9 - 15	900162-05025	9 - 29	900807-06001	9 - 21
610473-52131	9 - 15	900162-05030	8 - 25	900808-06001	4 - 13
695001-55630	10 - 2	900162-06030	9 - 19	900810-00629	9 - 13
695001-55631	10 - 2	900220-03006	6 - 19	900810-36201	1 - 21
696001-55630	10 - 1	900220-04016	6 - 20	900812-06201	9 - 9
696001-55631	10 - 1	900241-04008	4 - 7	900814-06202	10 - 8
699000-52930	9 - 25	900242-04010	7 - 34	900814-06202	7 - 30
699000-52931	9 - 25	900242-04022	3 - 19	94035-36201	1 - 21
699010-52931	9 - 34	900242-05010	2 - 7	94064-06202	7 - 30
699013-52130	9 - 26	900242-05010	9 - 18	A553-000000	4 - 18
699013-56830	9 - 30	900242-05012	7 - 12	C535-000000	9 - 6
699016-52130	9 - 31	900242-05012	8 - 36	C535-000001	9 - 6
699016-54530	9 - 31	900242-05014	3 - 34	C535-000010	9 - 14

Index

Patrs Number	Key No.	Patrs Number	Key No.	Patrs Number	Key No.
C535-000011	9 - 14				
P021-002861	10 - 19				
P021-007470	10 - 3				
X602-000020	10 - 15				



YAMABIKO CORPORATION

7-2 SUEHIROCHO 1-CHOME, OHME, TOKYO 198-8760, JAPAN
PHONE: 81-428-32-6118. FAX: 81-428-32-6145.

ECHO[®]



-356
No.