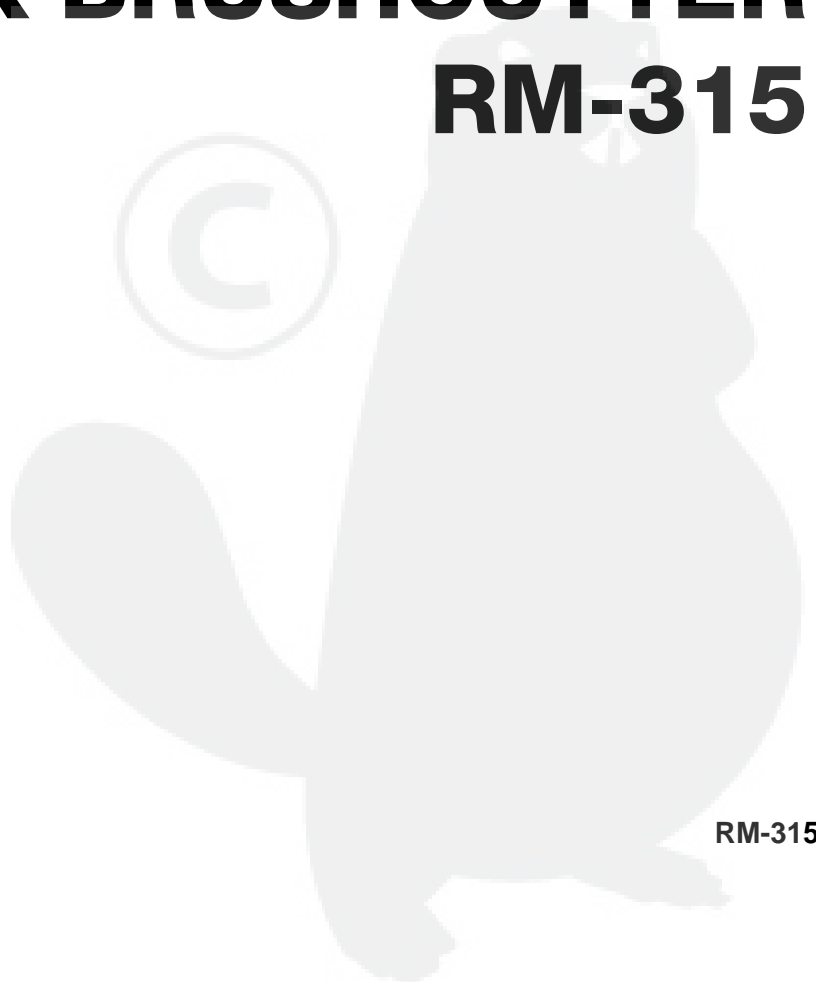




# **PARTS CATALOG**

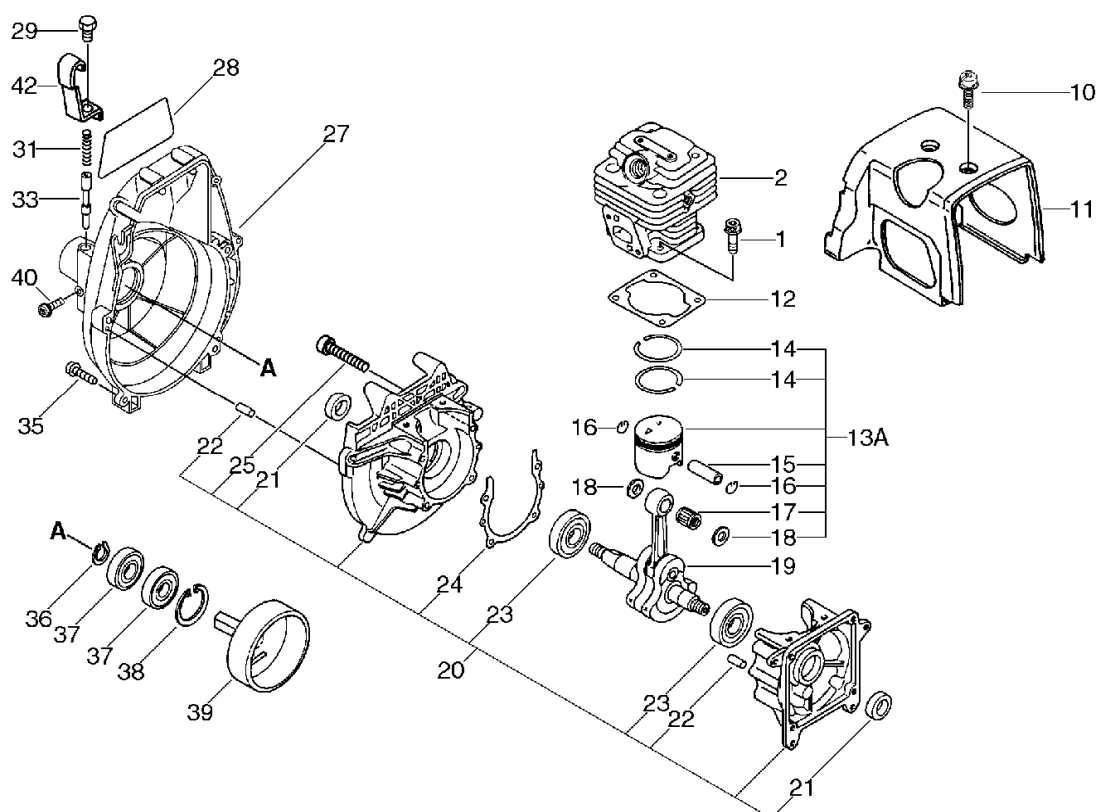
## **BACKPACK BRUSHCUTTER**

**RM-315**



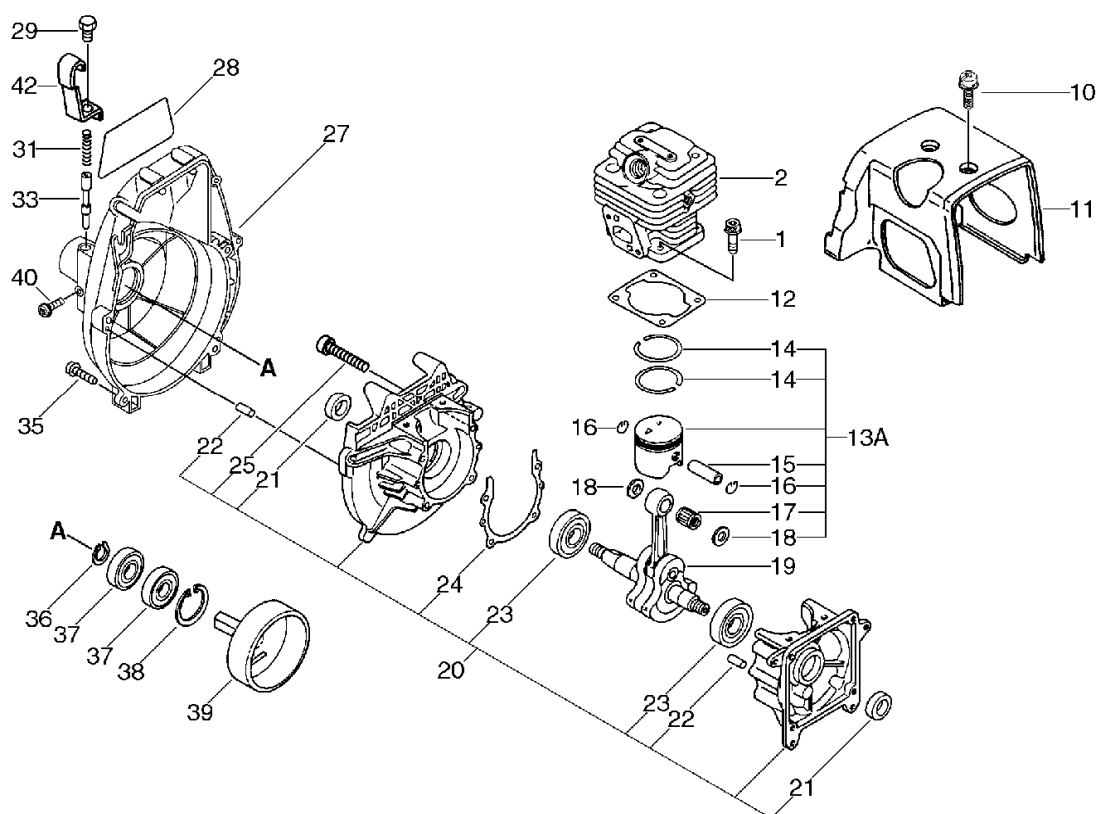
RM-315

# 1. Cylinder, Crankcase, Piston, Fan Cover



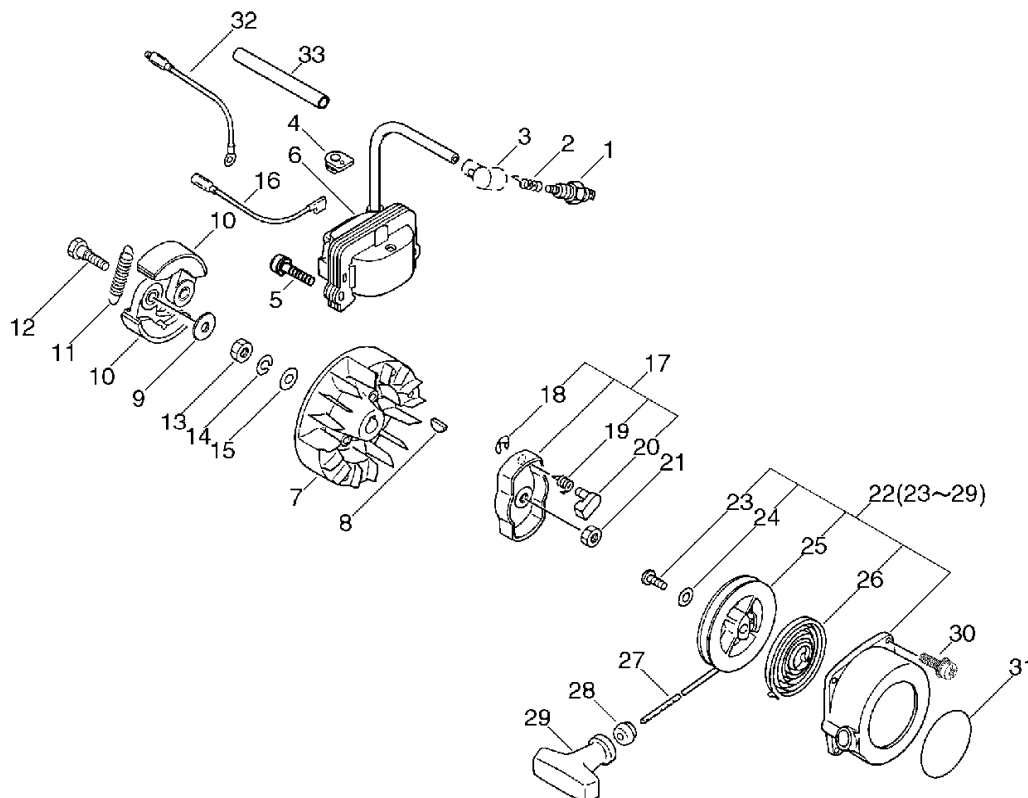
KEY	LV	PART NUMBER	Q'TY	DESCRIPTION	REMARKS	NOTE1	NOTE2
1		900 162-0502 0	4	BOLT, H.S. 5*20			
2		101 034-5563 0	1	CYLINDER			
10		900 242-0501 2	2	SCREW 5*12			
11		706 410-1153 0	1	COVER, CYLINDER			
12		706 410-1278 0	1	GASKET, CYL. BASE			
13A		100 000-5543 1	1	PISTON KIT			
14	+	100 011-1613 1	2	RING, PISTON			
15	+	100 013-2743 0	1	PIN, PISTON			
16	+	100 015-0393 1	2	CIRCLIP, PISTON PIN			
17	+	100 012-1613 1	1	BEARING, NEEDLE			
18	+	100 014-5363 0	2	SPACER, PISTON PIN			
19		100 100-5543 0	1	CRANKSHAFT ASSY			
20		706 410-2043 0	1	CRANKCASE KIT			
21	+	706 410-2197 0	2	OILSEAL			
22	+	100 215-0393 0	4	PIN, DOWEL			
23	+	900 810-3620 1	2	BEARING, BALL 6201			
24	+	706 410-2478 0	1	GASKET, CRANKCASE			
25	+	900 162-0503 0	4	BOLT, H.S. 5*30			
27		706 410-2734 0	1	COVER, FAN			
28		706 410-2809 0	1	LABEL, MODEL			
29		706 410-2995 0	1	BOLT 8			
31		706 410-3193 0	1	SPRING			
33		706 410-3393 0	1	LOCKPIN			
35		900 242-0502 0	4	SCREW 5*20			
36		900 701-0001 2	1	CIRCLIP 12			
37		900 808-0600 1	2	BEARING, BALL 6001VV			

# 1. Cylinder, Crankcase, Piston, Fan Cover



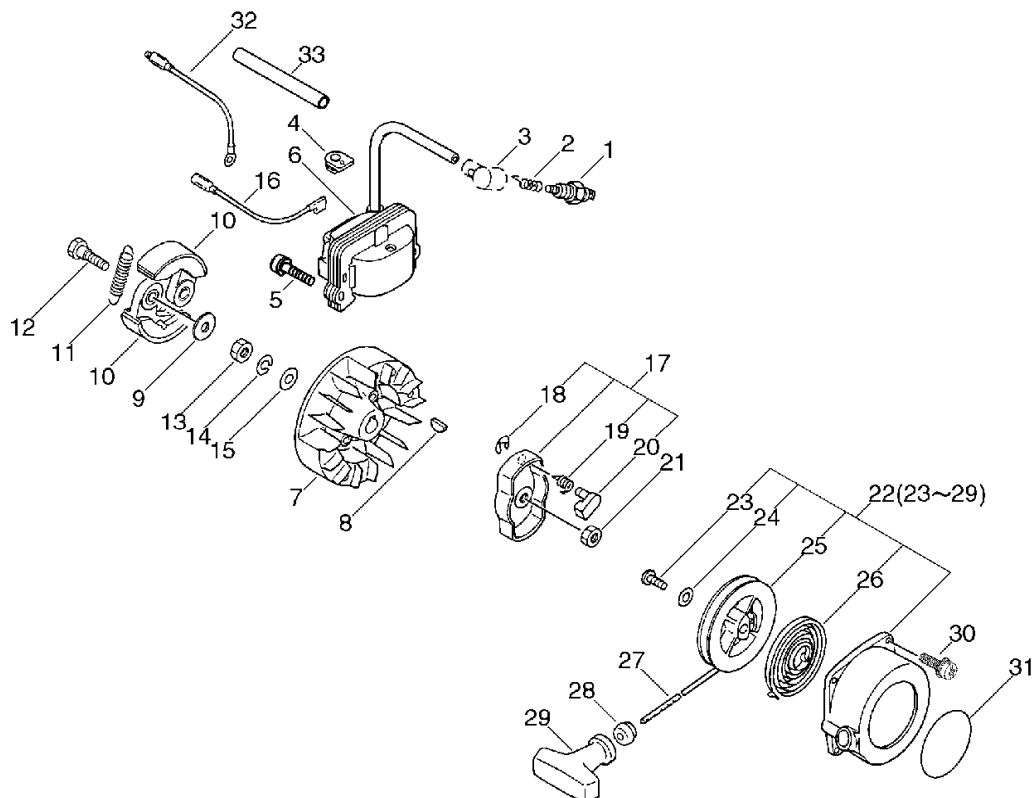
KEY	LV	PART NUMBER	Q'TY	DESCRIPTION	REMARKS	NOTE1	NOTE2
38		900 702-0002 8	1	CIRCLIP 28			
39		706 410-3925 0	1	DRUM, CLUTCH			
40		900 241-0400 8	1	SCREW 4*8			
42		706 410-4245 0	1	BRACKET, THR. WIRE			

## 2. Starter, Magneto, Clutch



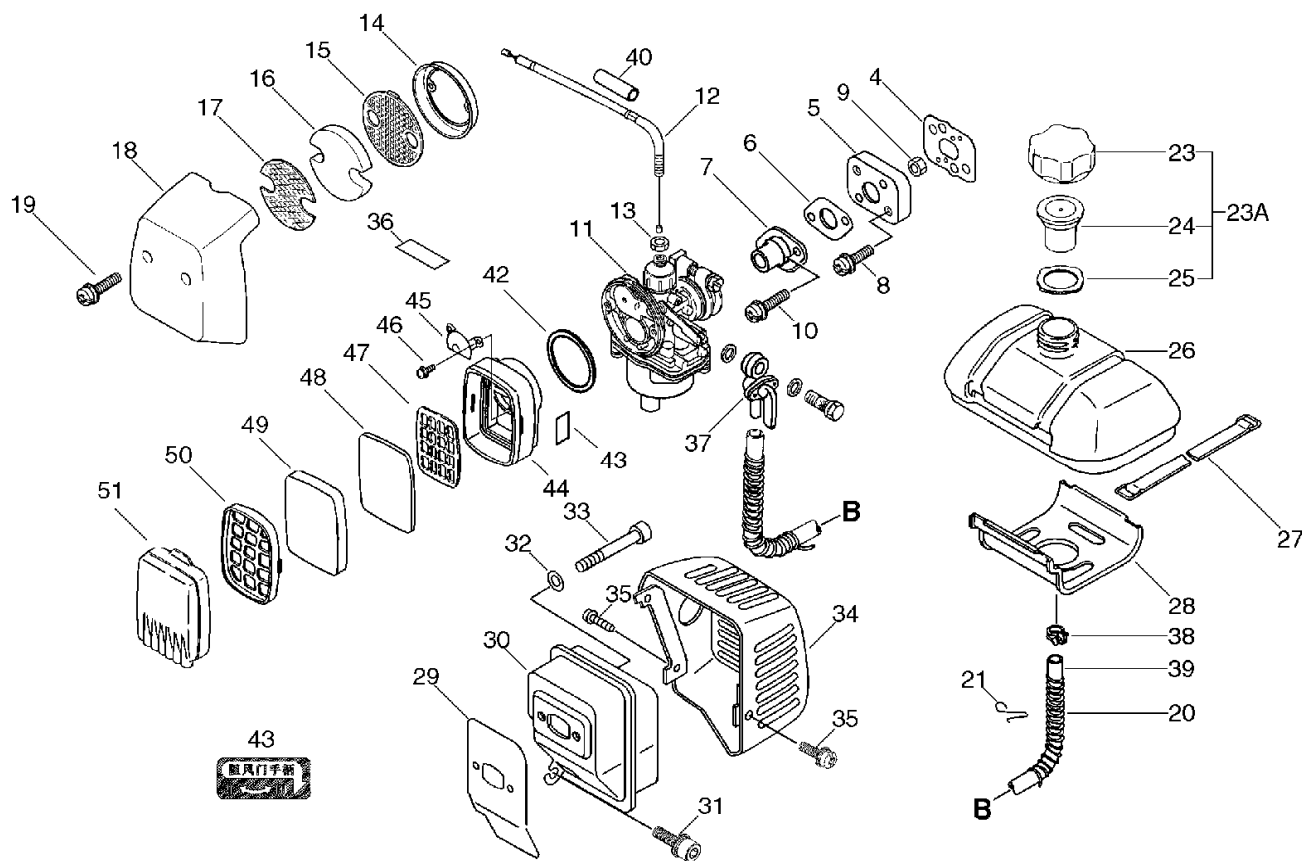
KEY	LV	PART NUMBER	Q'TY	DESCRIPTION	REMARKS	NOTE1	NOTE2
1		159 010-1063 0	1	PLUG, SPARK (BPM-7A)			
2		706 420-0293 0	1	COIL, SPARK PLUG CAP			
3		159 012-0343 3	1	CAP, SPARK PLUG		Next Production:Nil	
4		706 420-0486 0	1	GROMMET			
5		900 162-0502 0	2	BOLT, H.S. 5*20			
6		152 626-5573 0	1	COIL, IGNITION			
7		152 801-5543 0	1	ROTOR, MAGNET			
8		100 142-1233 0	1	KEY, WOODRUFF			
9		706 420-0973 0	2	WASHER(I)			
10		706 420-1024 0	2	SHOE, CLUTCH			
11		706 420-1193 0	1	SPRING, CLUTCH			
12		175 046-4643 0	2	BOLT, CLUTCH			
13		900 502-0000 8	1	NUT 8 (3N)			
14		900 605-0000 8	1	WASHER, SPRING 8			
15		900 600-0000 8	1	WASHER 8			
16		706 420-1618 0	1	LEAD, GROUND			
17		177 202-4103 0	1	PAWL ASSY, STARTER			
18	+	900 700-0000 4	1	E-RING 4			
19	+	177 234-4063 0	1	SPRING, RETURN			
20	+	177 218-4063 0	1	PAWL, STARTER			
21		900 502-0000 8	1	NUT 8 (3N)			
22		177 200-5563 1	1	STARTER ASSY			
23	+	177 236-4063 0	1	SCREW			
24	+	177 214-4103 0	1	WASHER			
25	+	177 215-4313 0	1	DRUM, STARTER			

## 2. Starter, Magneto, Clutch



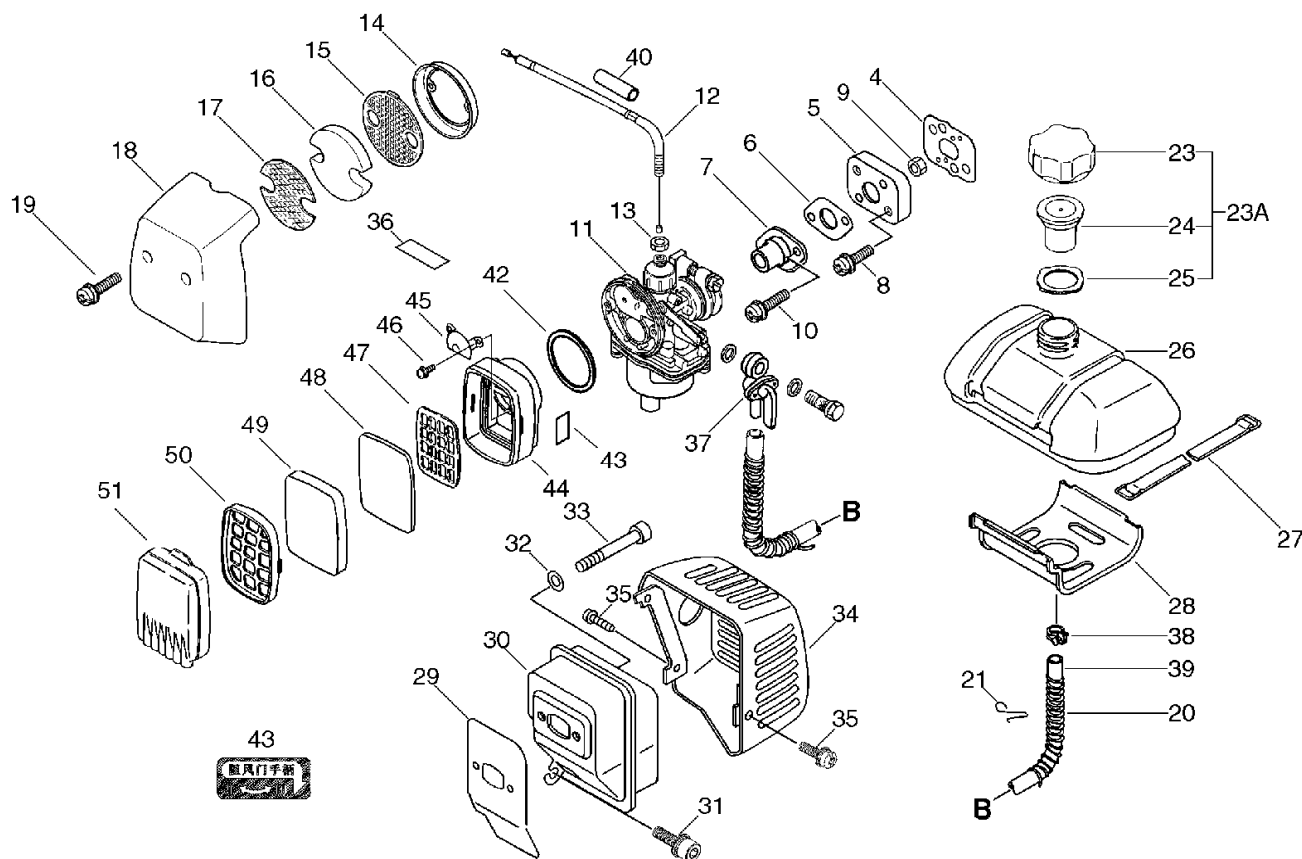
KEY	LV	PART NUMBER	Q'TY	DESCRIPTION	REMARKS	NOTE1	NOTE2
26	+	177 220-4063 0	1	SPRING, REWIND			
27	+	177 226-0111 0	1	ROPE, STARTER			
28	+	177 227-4203 0	1	GUIDE, ROPE			
29	+	177 228-2703 0	1	GRIP, STARTER			
30		900 242-0401 4	4	SCREW 4*14			
31		706 420-3109 0	1	LABEL, ECHO			
32		706 420-3218 0	1	LEAD			
33		706 420-3376 0	1	COVER, PIPE			

### 3. Air Cleaner, Muffler, Fuel Tank



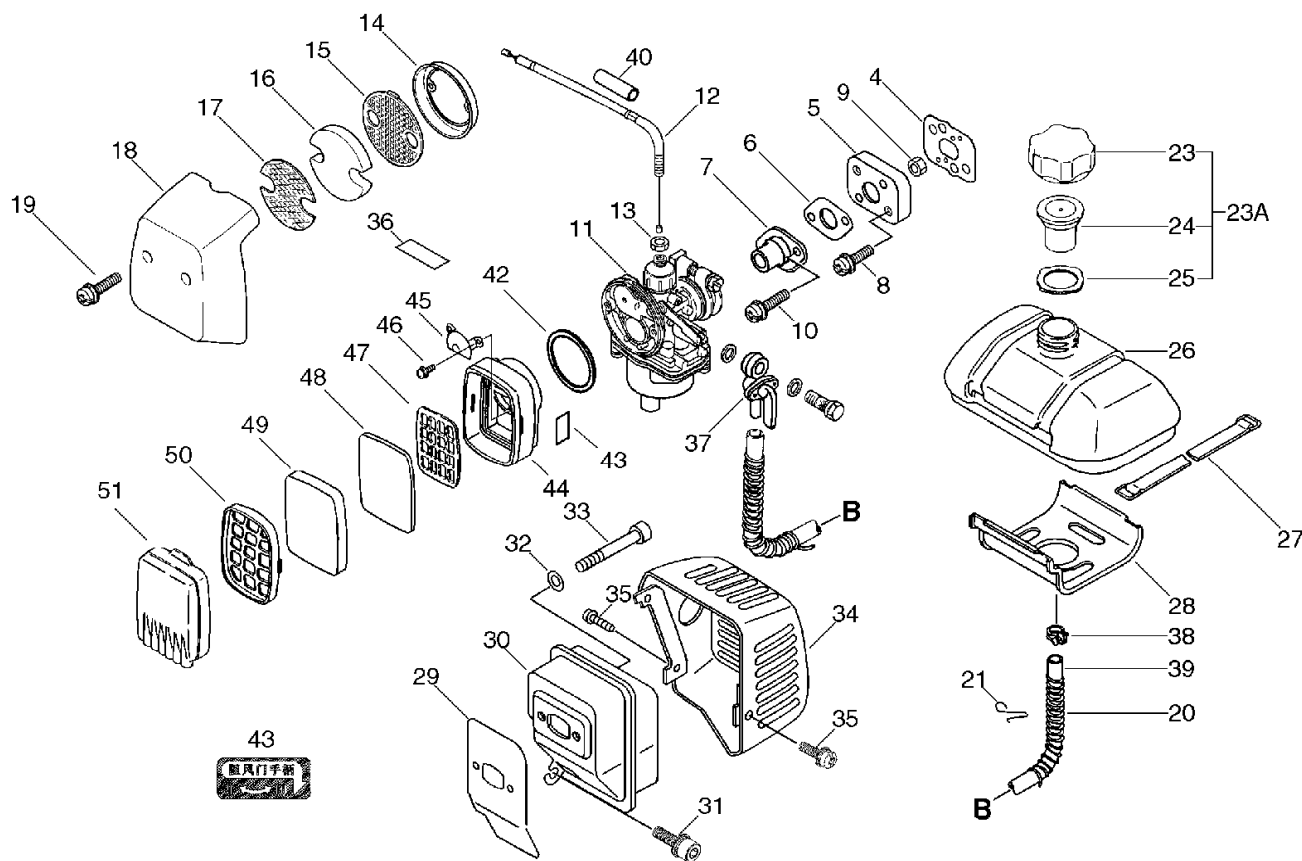
KEY	LV	PART NUMBER	Q'TY	DESCRIPTION	REMARKS	NOTE1	NOTE2
4		130 010-5573 0	1	GASKET, INTAKE			
5		706 430-0548 0	1	INSULATOR		Sus. by 706 430-0548 1	
5		706 430-0548 1	1	INSULATOR			
6		130 016-2833 1	1	GASKET, INTAKE			
7		130 510-2243 1	1	ADAPTER, INTAKE			
8		900 242-0501 4	2	SCREW 5*14		Sus. by 900 162-0501 4	
8		900 162-0501 4	2	BOLT, H.S. 5*14			
9		900 500-0000 5	2	NUT 5			
10		900 242-0501 8	2	SCREW 5*18			
11		A020-000000	1	CARBURETOR,FLOAT	1135-9500-00	Sus. by A020-000001	
11		A020-000001	1	CARBURETOR,FLOAT	TK PC11R-1G		
11		A020-000040	1	CARBURETOR,FLOAT	PC11R-1K	Next Production	
12		706 330-1263 0	1	WIRE, THROTTLE			
13		178 021-0553 0	1	LOCKNUT			
14		130 314-2793 0	1	CASE, AIR CLEANER			
15		130 319-2793 0	1	GRID, AIR CLEANER			
16		130 310-2793 0	1	FILTER, AIR			
17		130 311-2793 0	1	GRID, AIR CLEANER			
18		130 307-4223 0	1	CASE, AIR CLEANER			
19		900 242-0402 2	2	SCREW 4*22			
20		706 330-2055 0	1	COIL, FUEL PIPE			
21		706 330-2105 0	1	CLIP, FUEL PIPE			

### 3. Air Cleaner, Muffler, Fuel Tank



KEY	LV	PART NUMBER	Q'TY	DESCRIPTION	REMARKS	NOTE1	NOTE2
23A		706 040-31A6 0	1	CAP ASSY, FUEL TANK			
23	+	706 040-3176 0	1	FUEL TANK CAP			
24	+	706 040-0276 0	1	BREATHER			
25	+	706 040-3356 0	1	FUEL TANK PACKING			
26		706 330-2656 0	1	TANK, FUEL		Sus. by 706 330-2656 1	
26		706 330-2656 1	1	TANK, FUEL			
27		706 330-2797 0	2	BAND, FUEL TANK			
28		706 330-2887 0	1	CUSHION, F.TANK			
29		706 430-2988 0	1	GASKET, MUFFLER			
30		706 430-3063 0	1	MUFFLER			
31		900 162-0501 2	1	BOLT, H.S. 5*12			
32		900 600-0000 5	2	WASHER 5			
33		900 105-0506 0	2	BOLT, H.S. 5*60			
34		706 430-3455 0	1	COVER, MUFFLER			
35		900 242-0501 4	3	SCREW 5*14			
36		706 330-3609 0	1	LABEL, CHOKE			
37		132 200-0051 2	1	VALVE ASSY, FUEL			
38		132 013-0036 0	2	CLIP, PIPE			
39		132 010-2203 0	1	PIPE, FUEL			
40		706 430-4076 0	1	COVER, PIPE			
42		130320-05810	1	SEAL, CLEANER		Next Production	
43		X506-000040	1	LABEL,CHOKE		Next Production	

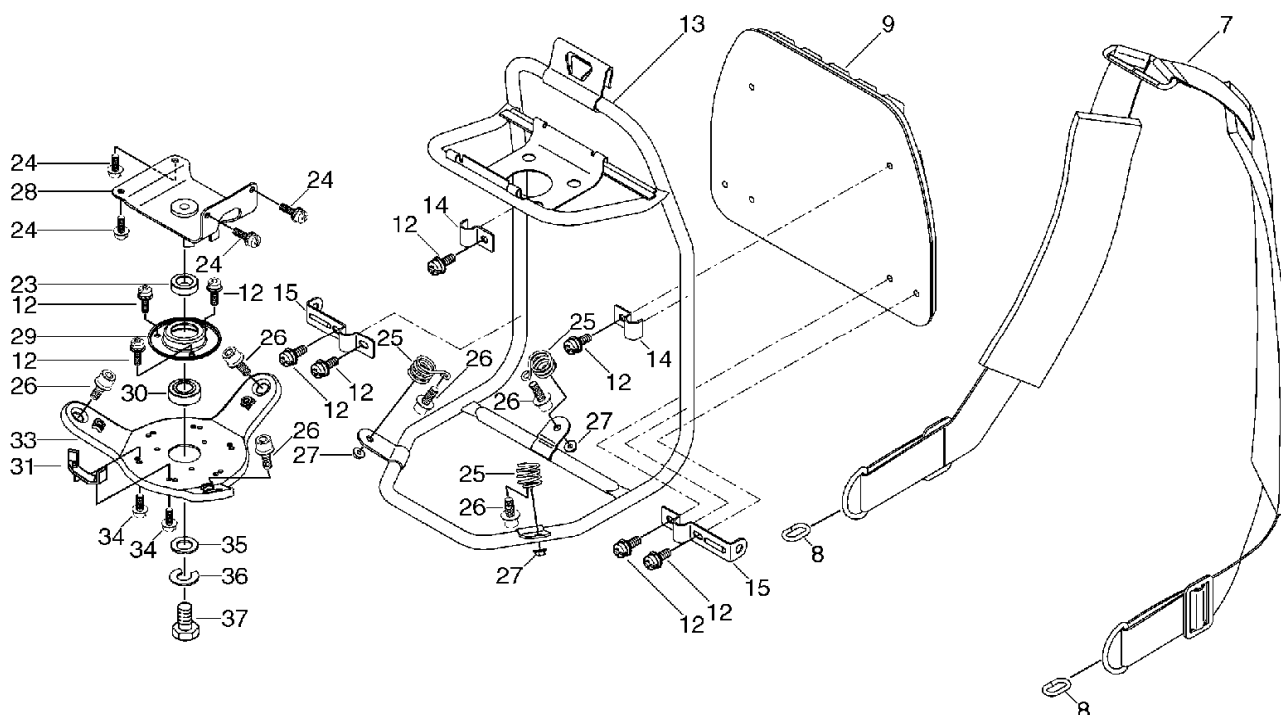
### 3. Air Cleaner, Muffler, Fuel Tank



KEY	LV	PART NUMBER	Q'TY	DESCRIPTION	REMARKS	NOTE1	NOTE2
44		130307-10321	1	CASE, AIR CLEANER		Next Production	
45		129011-05110	1	PLATE		Next Production	
46		900242-04010	2	SCREW 4*10	4*10	Next Production	
47		130319-03710	1	GRID, AIR CLEANER		Next Production	
48		130317-03710	1	FILTER, AIR		Next Production	
49		130310-02910	1	FILTER, AIR		Next Production	
50		130311-03710	1	GRID, AIR CLEANER		Next Production	
51		130313-10720	1	COVER, AIR CLEANER		Sus. by A232-000260	

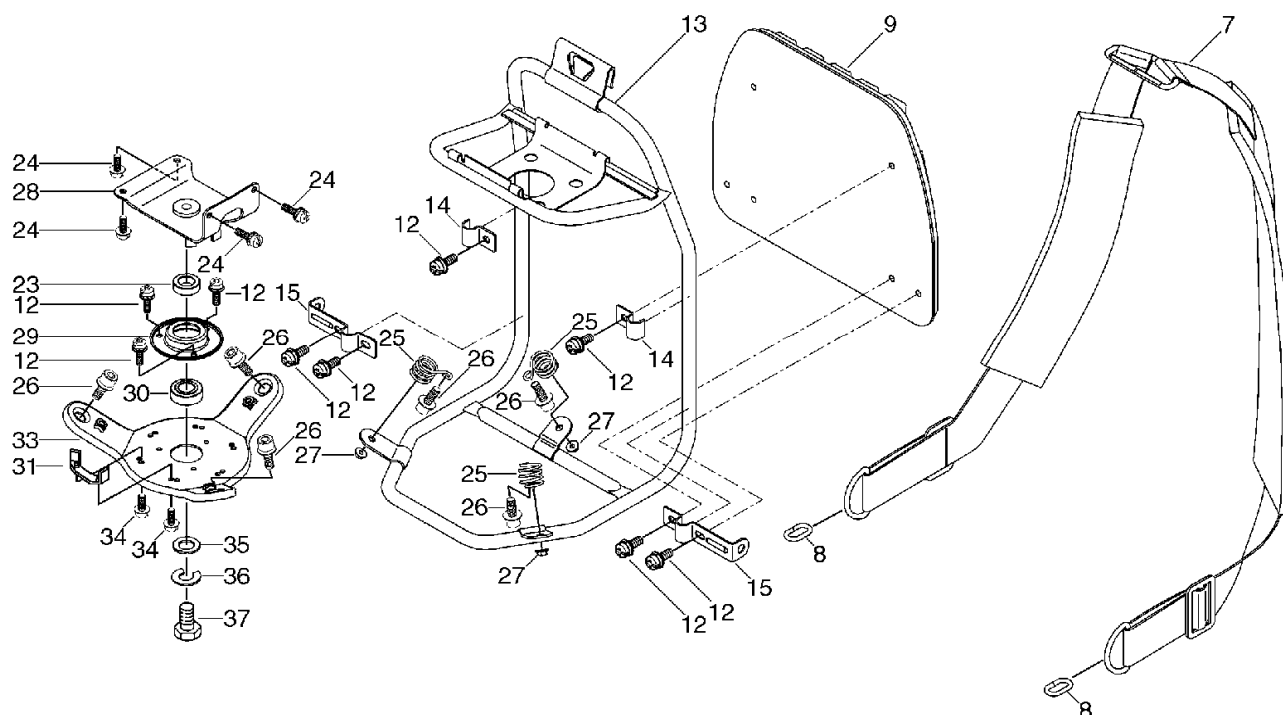


# 4. Harness



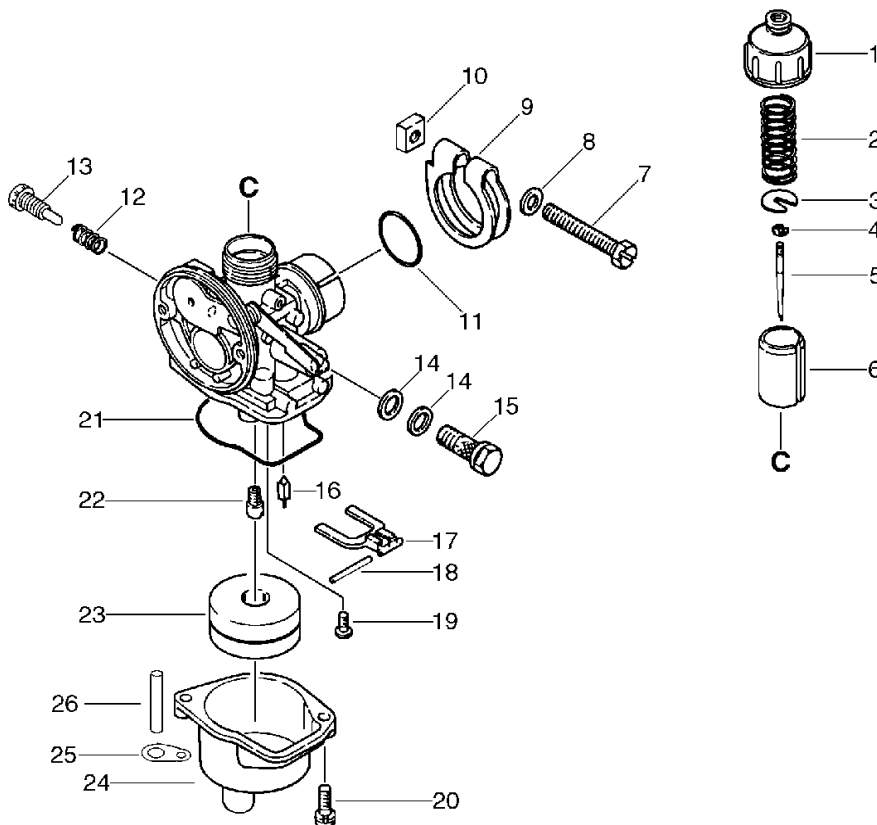
KEY	LV	PART NUMBER	Q'TY	DESCRIPTION	REMARKS	NOTE1	NOTE2
7		706 340-0746 0	1	HARNESS, BACKPACK		Sus. by 707 340-0746 1	
7		707 340-0746 1	1	HARNESS, BACKPACK			
8		706 340-0895 0	2	RING, HARNESS			
9		706 340-0986 0	1	CUSHION, KNAPSACK			
12		900 242-0501 2	9	SCREW 5*12			
13		706 340-1353 0	1	FRAME, KNAPSACK		Sus. by 706 340-1353 2	
13		706 540-1353 0	1	FRAME, KNAPSACK		Sus. by 706 340-1353 2	
13		706 340-1353 2	1	FRAME,KNAPSACK			
14		706 340-1445 0	2	BRACKET, CUSHION(S)			
15		706 340-1545 0	2	BRACKET, CUSHION(L)			
23		706 440-2395 0	1	COLLOR 16			
24		900 242-0501 4	4	SCREW 5*14			
25		V450-000180	3	SPRING,COMPRESSION	0.9KG	Sus. by V450-000330	
25		V450-000330	3	SPRING,COMPRESSION			
26		900 106-0501 2	6	BOLT, H.S. 5*12		Sus. by 91121-05012	
27		706 340-2795 0	3	NUT, FLANGE 5			
28		706 340-2845 0	1	BRACKET, ENGINE		Sus. by 706 340-2845 1	
28		706 340-2845 1	1	PLATE,ENGINE			
29		706 340-2945 0	1	HOLDER, BEARING			

# 4. Harness



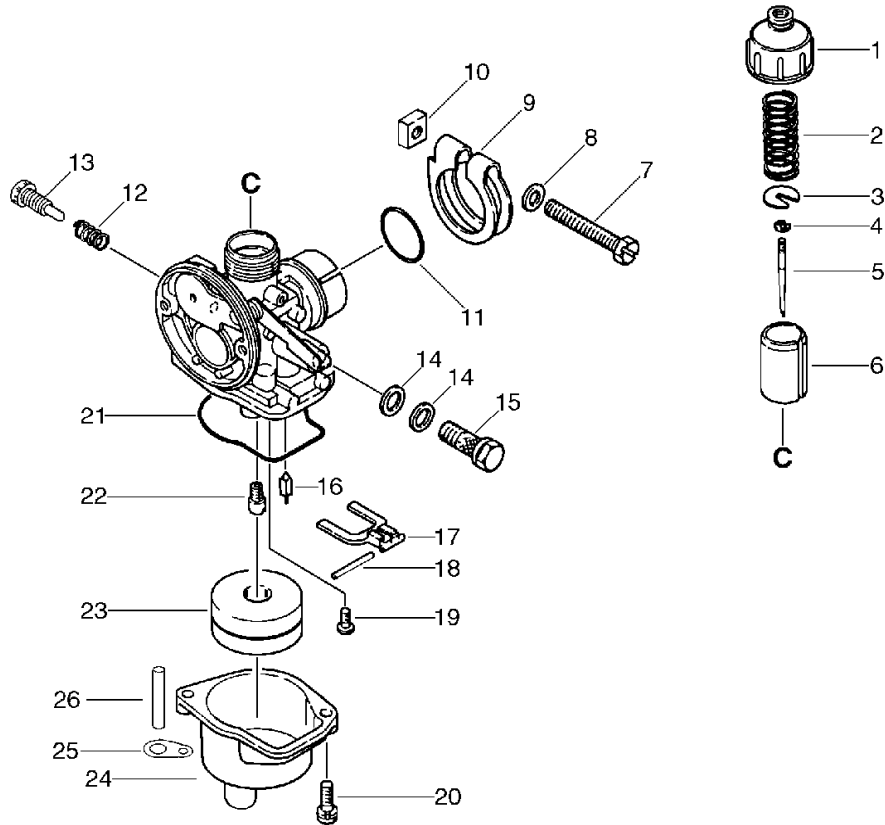
KEY	LV	PART NUMBER	Q'TY	DESCRIPTION	REMARKS	NOTE1	NOTE2
30		900 814-0620	2	BEARING, BALL 6202		Sus. by 94064-06202	
30		94064-06202	1	BEARING BALL	BB6202ZZ		
31		706 340-3105	0	STOPPER			
33		706 440-3345	0	PLATE, SWIVEL			
34		900 242-0401	0	SCREW 4*10			
35		900 600-0001	0	WASHER 10			
36		900 605-0001	0	WASHER, SPRING 10			
37		900 100-1002	0	BOLT 10*20			

# 5. Carburetor



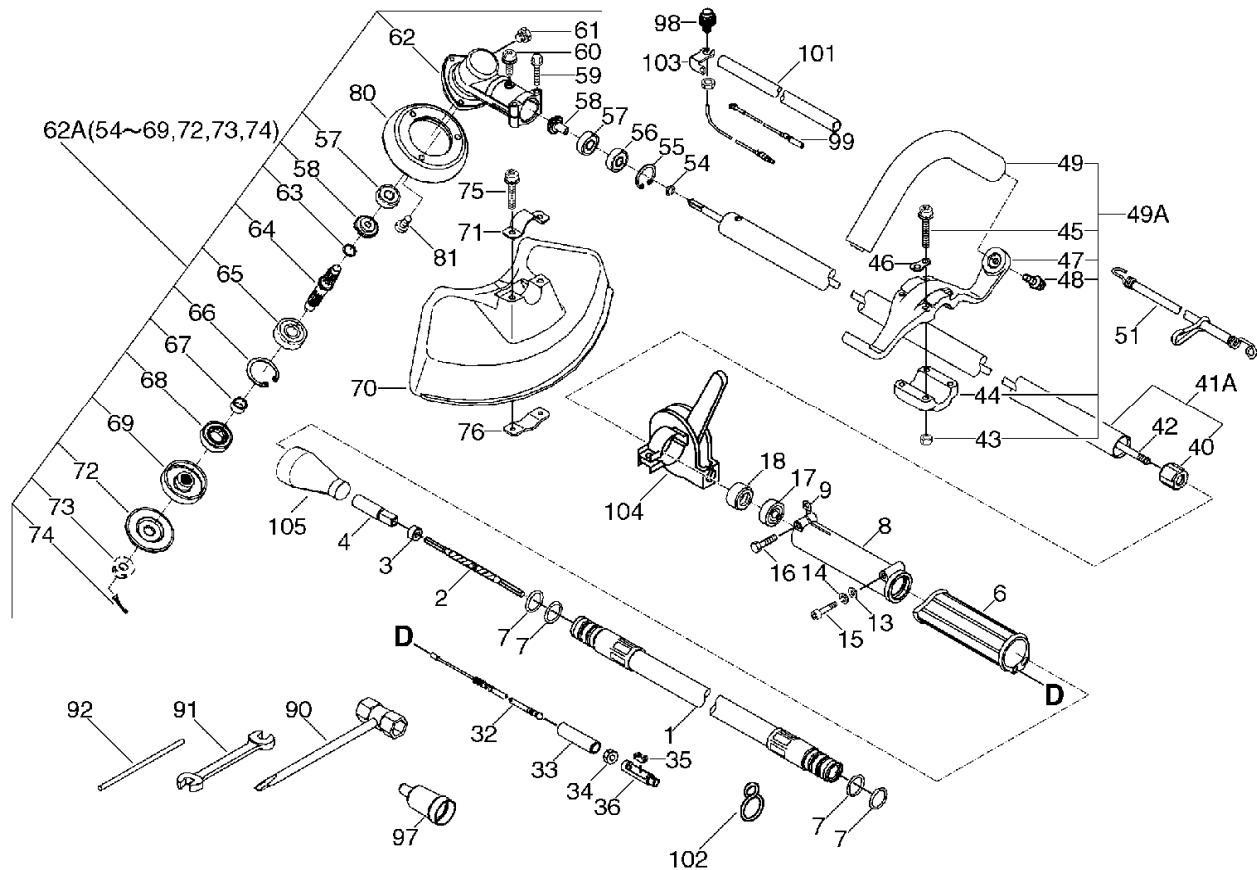
KEY	LV	PART NUMBER	Q'TY	DESCRIPTION	REMARKS	NOTE1	NOTE2
		A020-000000	1	CARBURETOR,FLOAT	1135-9500-00	Sus. by A020-000001	
		A020-000001	1	CARBURETOR,FLOAT	TK PC11R-1G		
		A020-000040	1	CARBURETOR,FLOAT	PC11R-1K	Next Production	
1	+	124 113-0553 0	1	COVER, TOP			
2	+	124 114-0553 0	1	SPRING, THROTTLE			
3	+	124 115-0553 0	1	SEAT, SPRING			
4	+	124 116-0553 0	1	E-RING			
5	+	124 117-6413 0	1	NEEDLE, JET			
6	+	124 118-4723 0	1	VALVE, THROTTLE			
7	+	124 147-4663 0	1	BOLT			
8	+	900 600-0000 5	1	WASHER 5			
9	+	124 146-4663 0	1	CLIP, OUTLET			
10	+	124 151-4663 0	1	NUT			
11	+	124 149-4663 0	1	GASKET, FRANGE			
12	+	124 160-1112 0	1	SPRING, IDLE ADJUST			
13	+	124 159-4663 0	1	SCREW, IDLE ADJUST			
14	+	124 130-0593 0	2	GASKET		Sus. by 124 130-1112 0	
14	+	124 130-1112 0	2	GASKET			
15	+	124 131-0593 0	1	BOLT, BANJO			
16	+	124 102-1112 0	1	VALVE ASY, NEEDLE			
16	+	P004-000470	1	VALVE, NEEDLE		Next Production	
17	+	124 121-4663 0	1	ARM, FLOAT			

# 5. Carburetor



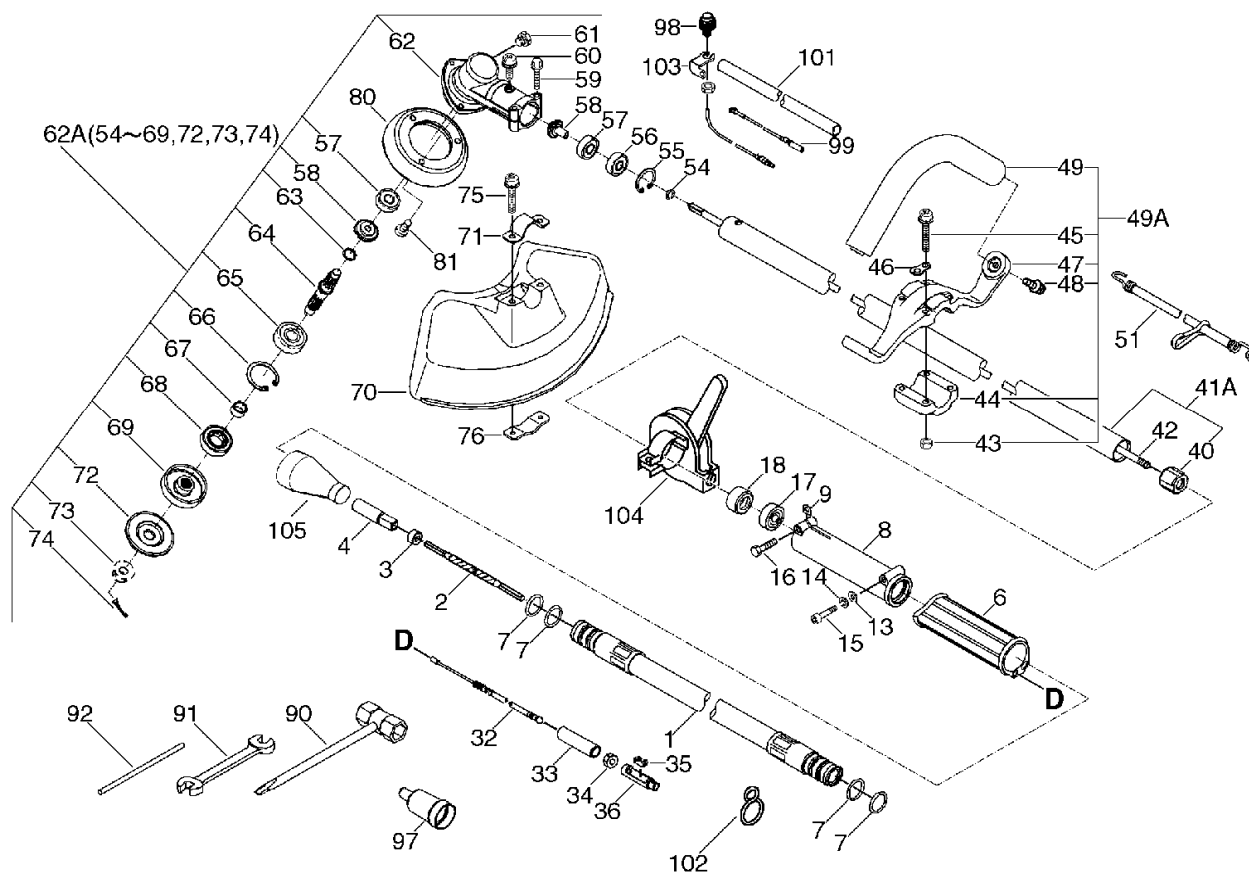
KEY	LV	PART NUMBER	Q'TY	DESCRIPTION	REMARKS	NOTE1	NOTE2
18	+	124 132-4663 0	1	PIN, LEVER			
19	+	900 220-0300 6	1	SCREW 3*6			
20	+	900 220-0401 6	2	SCREW 4*16			
21	+	124 123-4663 1	1	GASKET, CHAMBER			
22	+	124 122-1181 0	1	JET, MAIN #60			
23	+	124 133-1112 0	1	FLOAT			
24	+	124 104-4663 0	1	CHAMBER ASY, FLOAT			
25	+	124180-11120	1	STAY		Next Production	
26	+	P004-000650	1	PIPE		Next Production	

## 6. Handle, Gear Case, Shield, Tools



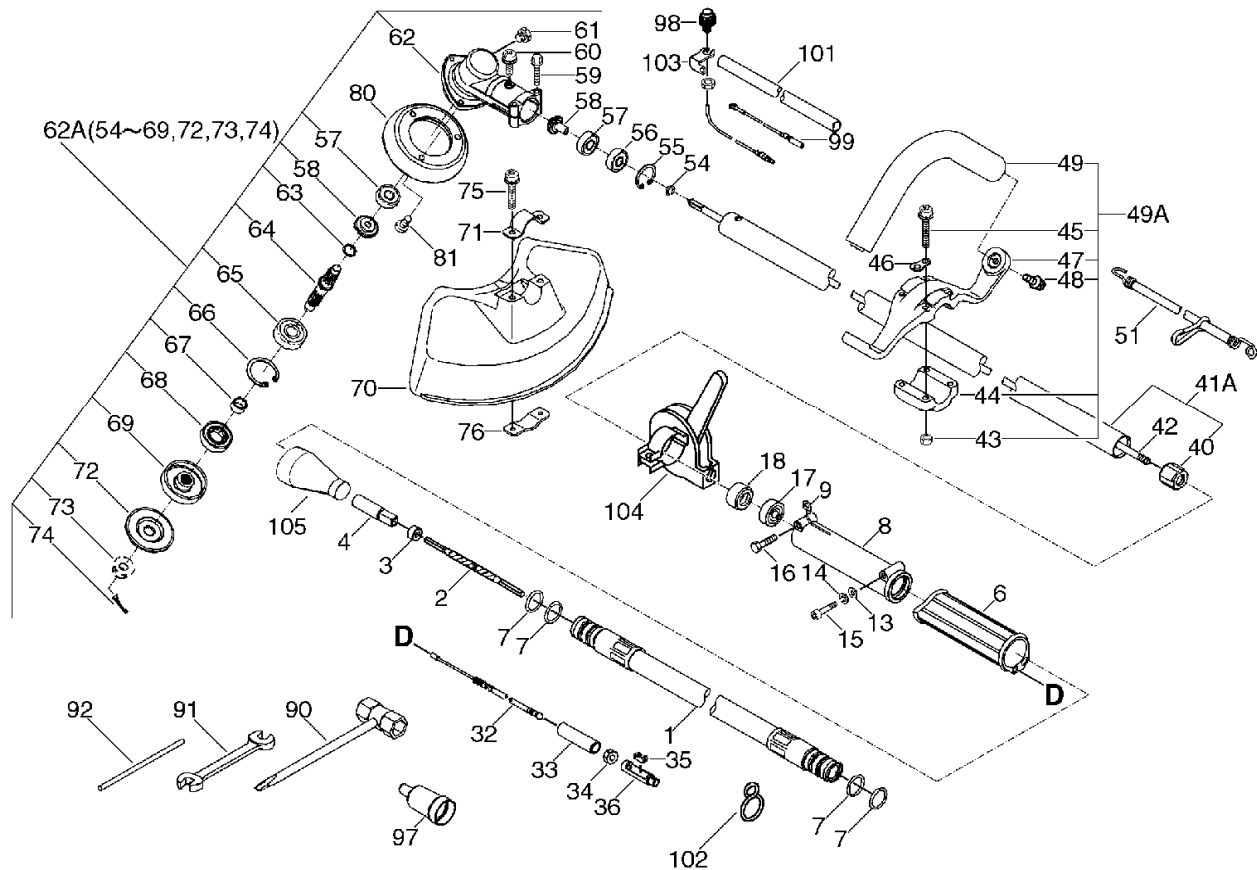
KEY	LV	PART NUMBER	Q'TY	DESCRIPTION	REMARKS	NOTE1	NOTE2
1		706 360-0177 0	1	COVER, FLEXIBLE			
2		706 360-0223 0	1	SHAFT, INNER, FLX			
3		706 360-0397 0	1	STOPPER, FLEX SHAFT			
4		706 360-0435 0	1	CONNECTOR, D. SHAFT			
6		706 360-0647 0	1	GRIP			
7		900 720-0001 8	4	O-RING 18			
8		706 360-0847 0	1	CONNECTOR			
9		706 360-0975 0	1	WASHER, SHIM			
13		900 600-0000 5	1	WASHER 5			
14		900 605-0000 5	1	WASHER, SPRING 5			
15		706 360-1593 0	1	BOLT 5*28			
16		900 142-0502 5	1	BOLT 5*25 (W/W,SW)			
17		900 814-0062 7	1	BEARING, BALL 627			
18		706 360-1857 0	1	HOLDER, BEARING			
32		706 360-3218 1	1	WIRE, THROTTLE			
33		706 360-3377 0	1	COVER, CONNECTOR			
34		178 021-0553 0	1	LOCKNUT			
35		706 360-3503 0	1	CONNECTOR			
36		706 360-3674 0	1	CONNECTOR, THR. WIRE			
41A		706 360-41A4 0	1	HOUSING ASSY, D.SFT			
40	+	706 360-4077 0	4	BUSHING			
42		706 360-4223 0	1	SHAFT, DRIVE			
49A		706 360-49A4 0	1	HANDLE ASSY, LOOP			
43	+	900 500-0000 5	4	NUT 5			
44	+	706 360-4446 0	1	BRACKET, HANDLE(25S)			
45	+	900 242-0503 5	4	SCREW 5*35			

## 6. Handle, Gear Case, Shield, Tools



KEY	LV	PART NUMBER	Q'TY	DESCRIPTION	REMARKS	NOTE1	NOTE2
47	+	706 360-4746 0	1	BRACKET, HANDLE(25L)			
48	+	900 242-0501 4	2	SCREW 5*14			
49	+	706 360-4944 0	1	HANDLE			
46		706 360-4695 0	1	PLATE,PORT SET			
51		706 360-5140 0	1	STRAP ASSY			
62A		610 402-0713 0	1	HOUSING ASSY, GEAR			
54	+	900 706-0000 9	1	CIRCLIP 9			
55	+	900 702-0002 5	1	CIRCLIP 25			
56	+	900 803-0060 9	1	BEARING, BALL 609			
57	+	900 800-0060 9	2	BEARING, BALL 609			
58	+	610 301-0893 0	1	GEAR SET			
59	+	900 142-0502 8	2	BOLT 5*28 (W/W,SW)			
60	+	900 242-0501 0	1	SCREW 5*10			
61	+	610 434-5003 1	1	BOLT 8* 8			
62	+	610 460-0893 0	1	HOUSING, GEAR			
63	+	900 706-0001 2	1	CIRCLIP 12			
64	+	610 360-0713 0	1	SHAFT, P.T.O.			
65	+	900 810-0620 1	1	BEARING, BALL 6201			
66	+	900 702-0003 2	1	CIRCLIP 32			
67	+	610 315-0713 0	1	SPACER			
68	+	610 413-0713 0	1	OILSEAL			
69	+	610 313-0713 0	1	PLATE, ADAPTER (U)			
72	+	610 314-0713 0	1	PLATE, ADAPTER (L)			
73	+	610 320-2743 0	1	NUT		Next Production:Nil	
74	+	900 300-2002 2	1	PIN, SPLIT 2*22			

## 6. Handle, Gear Case, Shield, Tools



KEY	LV	PART NUMBER	Q'TY	DESCRIPTION	REMARKS	NOTE1	NOTE2
70		706 360-7076 0	1	SHILED, BLADE			
71		706 360-7145 0	1	BRACKET,SHIELD UPPER			
75		900 242-0503 0	2	SCREW 5*30			
76		706 360-7645 0	1	BRACKET,SHIELD LOWER			
80		706 360-8076 0	1	PLATE, GUARD			
81		900 242-0502 0	3	SCREW 5*20			
90		706 360-9005 0	1	WRENCH, W/S. DRIVER			
91		895 112-0033 0	1	SPANNER 8*10			
92		897 518-0113 1	1	LOCKING TOOL			
97		706 360-9776 0	2	CAP, FLX. SHAFT			
98		706 460-9868 0	1	STOP SWITCH			
99		706 460-9918 0	1	LEAD			
101		706 361-0103 0	1	PIPE, COVER			
102		706 461-0245 0	2	RING, HARNESS			
103		706 461-0345 0	1	BRACKET, SWITCH			
104		178 000-4663 0	1	CONTROL, THROTTLE			
105		706 360-0648 0	1	COVER			

**Index**

<b>Patrs Number</b>	<b>Key No.</b>	<b>Patrs Number</b>	<b>Key No.</b>	<b>Patrs Number</b>	<b>Key No.</b>
100 000-5543 1	1 - 13A	132 010-2203 0	3 - 39	706 340-1445 0	4 - 14
100 011-1613 1	1 - 14	132 013-0036 0	3 - 38	706 340-1545 0	4 - 15
100 012-1613 1	1 - 17	132 200-0051 2	3 - 37	706 340-2795 0	4 - 27
100 013-2743 0	1 - 15	152 626-5573 0	2 - 6	706 340-2845 0	4 - 28
100 014-5363 0	1 - 18	152 801-5543 0	2 - 7	706 340-2845 1	4 - 28
100 015-0393 1	1 - 16	159 010-1063 0	2 - 1	706 340-2945 0	4 - 29
100 100-5543 0	1 - 19	159 012-0343 3	2 - 3	706 340-3105 0	4 - 31
100 142-1233 0	2 - 8	175 046-4643 0	2 - 12	706 360-0177 0	6 - 1
100 215-0393 0	1 - 22	177 200-5563 1	2 - 22	706 360-0223 0	6 - 2
101 034-5563 0	1 - 2	177 202-4103 0	2 - 17	706 360-0397 0	6 - 3
124 102-1112 0	5 - 16	177 214-4103 0	2 - 24	706 360-0435 0	6 - 4
124 104-4663 0	5 - 24	177 215-4313 0	2 - 25	706 360-0647 0	6 - 6
124 113-0553 0	5 - 1	177 218-4063 0	2 - 20	706 360-0648 0	6 - 105
124 114-0553 0	5 - 2	177 220-4063 0	2 - 26	706 360-0847 0	6 - 8
124 115-0553 0	5 - 3	177 226-0111 0	2 - 27	706 360-0975 0	6 - 9
124 116-0553 0	5 - 4	177 227-4203 0	2 - 28	706 360-1593 0	6 - 15
124 117-6413 0	5 - 5	177 228-2703 0	2 - 29	706 360-1857 0	6 - 18
124 118-4723 0	5 - 6	177 234-4063 0	2 - 19	706 360-3218 1	6 - 32
124 121-4663 0	5 - 17	177 236-4063 0	2 - 23	706 360-3377 0	6 - 33
124 122-1181 0	5 - 22	178 000-4663 0	6 - 104	706 360-3503 0	6 - 35
124 123-4663 1	5 - 21	178 021-0553 0	3 - 13	706 360-3674 0	6 - 36
124 130-0593 0	5 - 14	178 021-0553 0	6 - 34	706 360-4077 0	6 - 40
124 130-1112 0	5 - 14	610 301-0893 0	6 - 58	706 360-41A4 0	6 - 41A
124 131-0593 0	5 - 15	610 313-0713 0	6 - 69	706 360-4223 0	6 - 42
124 132-4663 0	5 - 18	610 314-0713 0	6 - 72	706 360-4446 0	6 - 44
124 133-1112 0	5 - 23	610 315-0713 0	6 - 67	706 360-4695 0	6 - 46
124 146-4663 0	5 - 9	610 320-2743 0	6 - 73	706 360-4746 0	6 - 47
124 147-4663 0	5 - 7	610 360-0713 0	6 - 64	706 360-4944 0	6 - 49
124 149-4663 0	5 - 11	610 402-0713 0	6 - 62A	706 360-49A4 0	6 - 49A
124 151-4663 0	5 - 10	610 413-0713 0	6 - 68	706 360-5140 0	6 - 51
124 159-4663 0	5 - 13	610 434-5003 1	6 - 61	706 360-7076 0	6 - 70
124 160-1112 0	5 - 12	610 460-0893 0	6 - 62	706 360-7145 0	6 - 71
124180-11120	5 - 25	706 040-0276 0	3 - 24	706 360-7645 0	6 - 76
129011-05110	3 - 45	706 040-3176 0	3 - 23	706 360-8076 0	6 - 80
130 010-5573 0	3 - 4	706 040-31A6 0	3 - 23A	706 360-9005 0	6 - 90
130 016-2833 1	3 - 6	706 040-3356 0	3 - 25	706 360-9776 0	6 - 97
130 307-4223 0	3 - 18	706 330-1263 0	3 - 12	706 361-0103 0	6 - 101
130 310-2793 0	3 - 16	706 330-2055 0	3 - 20	706 410-1153 0	1 - 11
130 311-2793 0	3 - 17	706 330-2105 0	3 - 21	706 410-1278 0	1 - 12
130 314-2793 0	3 - 14	706 330-2656 0	3 - 26	706 410-2043 0	1 - 20
130 319-2793 0	3 - 15	706 330-2656 1	3 - 26	706 410-2197 0	1 - 21
130 510-2243 1	3 - 7	706 330-2797 0	3 - 27	706 410-2478 0	1 - 24
130307-10321	3 - 44	706 330-2887 0	3 - 28	706 410-2734 0	1 - 27
130310-02910	3 - 49	706 330-3609 0	3 - 36	706 410-2809 0	1 - 28
130311-03710	3 - 50	706 340-0746 0	4 - 7	706 410-2995 0	1 - 29
130313-10720	3 - 51	706 340-0895 0	4 - 8	706 410-3193 0	1 - 31
130317-03710	3 - 48	706 340-0986 0	4 - 9	706 410-3393 0	1 - 33
130319-03710	3 - 47	706 340-1353 0	4 - 13	706 410-3925 0	1 - 39
130320-05810	3 - 42	706 340-1353 2	4 - 13	706 410-4245 0	1 - 42



**Index**

<b>Patrs Number</b>	<b>Key No.</b>	<b>Patrs Number</b>	<b>Key No.</b>	<b>Patrs Number</b>	<b>Key No.</b>
706 420-0293 0	2 - 2	900 242-0502 0	1 - 35		
706 420-0486 0	2 - 4	900 242-0502 0	6 - 81		
706 420-0973 0	2 - 9	900 242-0503 0	6 - 75		
706 420-1024 0	2 - 10	900 242-0503 5	6 - 45		
706 420-1193 0	2 - 11	900 300-2002 2	6 - 74		
706 420-1618 0	2 - 16	900 500-0000 5	3 - 9		
706 420-3109 0	2 - 31	900 500-0000 5	6 - 43		
706 420-3218 0	2 - 32	900 502-0000 8	2 - 13		
706 420-3376 0	2 - 33	900 502-0000 8	2 - 21		
706 430-0548 0	3 - 5	900 600-0000 5	3 - 32		
706 430-0548 1	3 - 5	900 600-0000 5	5 - 8		
706 430-2988 0	3 - 29	900 600-0000 5	6 - 13		
706 430-3063 0	3 - 30	900 600-0000 8	2 - 15		
706 430-3455 0	3 - 34	900 600-0001 0	4 - 35		
706 430-4076 0	3 - 40	900 605-0000 5	6 - 14		
706 440-2395 0	4 - 23	900 605-0000 8	2 - 14		
706 440-3345 0	4 - 33	900 605-0001 0	4 - 36		
706 460-9868 0	6 - 98	900 700-0000 4	2 - 18		
706 460-9918 0	6 - 99	900 701-0001 2	1 - 36		
706 461-0245 0	6 - 102	900 702-0002 5	6 - 55		
706 461-0345 0	6 - 103	900 702-0002 8	1 - 38		
706 540-1353 0	4 - 13	900 702-0003 2	6 - 66		
707 340-0746 1	4 - 7	900 706-0000 9	6 - 54		
895 112-0033 0	6 - 91	900 706-0001 2	6 - 63		
897 518-0113 1	6 - 92	900 720-0001 8	6 - 7		
900 100-1002 0	4 - 37	900 800-0060 9	6 - 57		
900 105-0506 0	3 - 33	900 803-0060 9	6 - 56		
900 106-0501 2	4 - 26	900 808-0600 1	1 - 37		
900 142-0502 5	6 - 16	900 810-0620 1	6 - 65		
900 142-0502 8	6 - 59	900 810-3620 1	1 - 23		
900 162-0501 2	3 - 31	900 814-0062 7	6 - 17		
900 162-0501 4	3 - 8	900 814-0620 2	4 - 30		
900 162-0502 0	1 - 1	900242-04010	3 - 46		
900 162-0502 0	2 - 5	94064-06202	4 - 30		
900 162-0503 0	1 - 25	A020-000000	3 - 11		
900 220-0300 6	5 - 19	A020-000000	5 -		
900 220-0401 6	5 - 20	A020-000001	3 - 11		
900 241-0400 8	1 - 40	A020-000001	5 -		
900 242-0401 0	4 - 34	A020-000040	3 - 11		
900 242-0401 4	2 - 30	A020-000040	5 -		
900 242-0402 2	3 - 19	P004-000470	5 - 16		
900 242-0501 0	6 - 60	P004-000650	5 - 26		
900 242-0501 2	1 - 10	V450-000180	4 - 25		
900 242-0501 2	4 - 12	V450-000330	4 - 25		
900 242-0501 4	3 - 8	X506-000040	3 - 43		
900 242-0501 4	3 - 35				
900 242-0501 4	4 - 24				
900 242-0501 4	6 - 48				
900 242-0501 8	3 - 10				

# YAMABIKO CORPORATION

7-2 SUEHIROCHO 1-CHOME, OHME, TOKYO 198-8760, JAPAN  
PHONE: 81-428-32-6118. FAX: 81-428-32-6145.

**ECHO**®



-315  
No.