



PARTS CATALOG

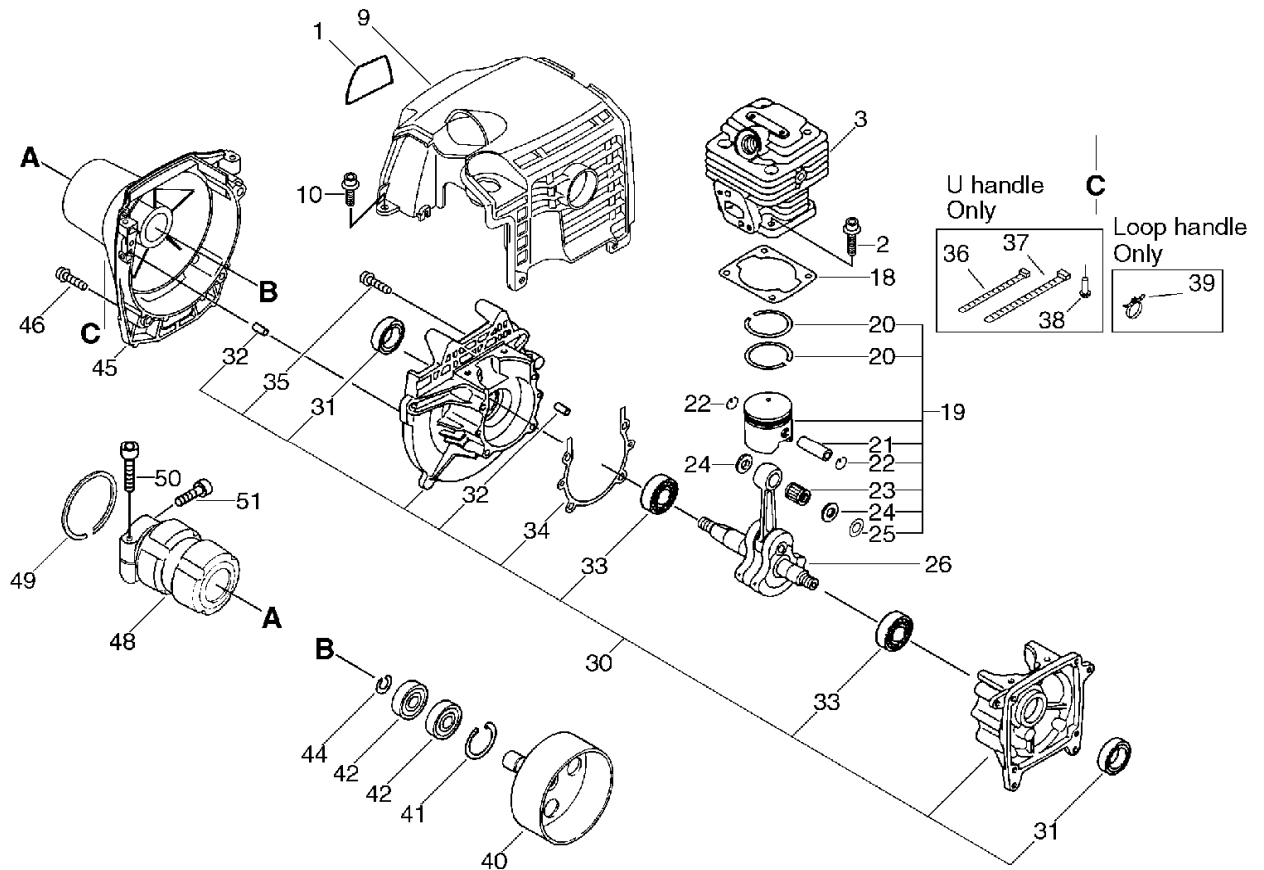
GRASS-TRIMMER / BRUSHCUTTER

SRM-330ES(36)

- 36028553

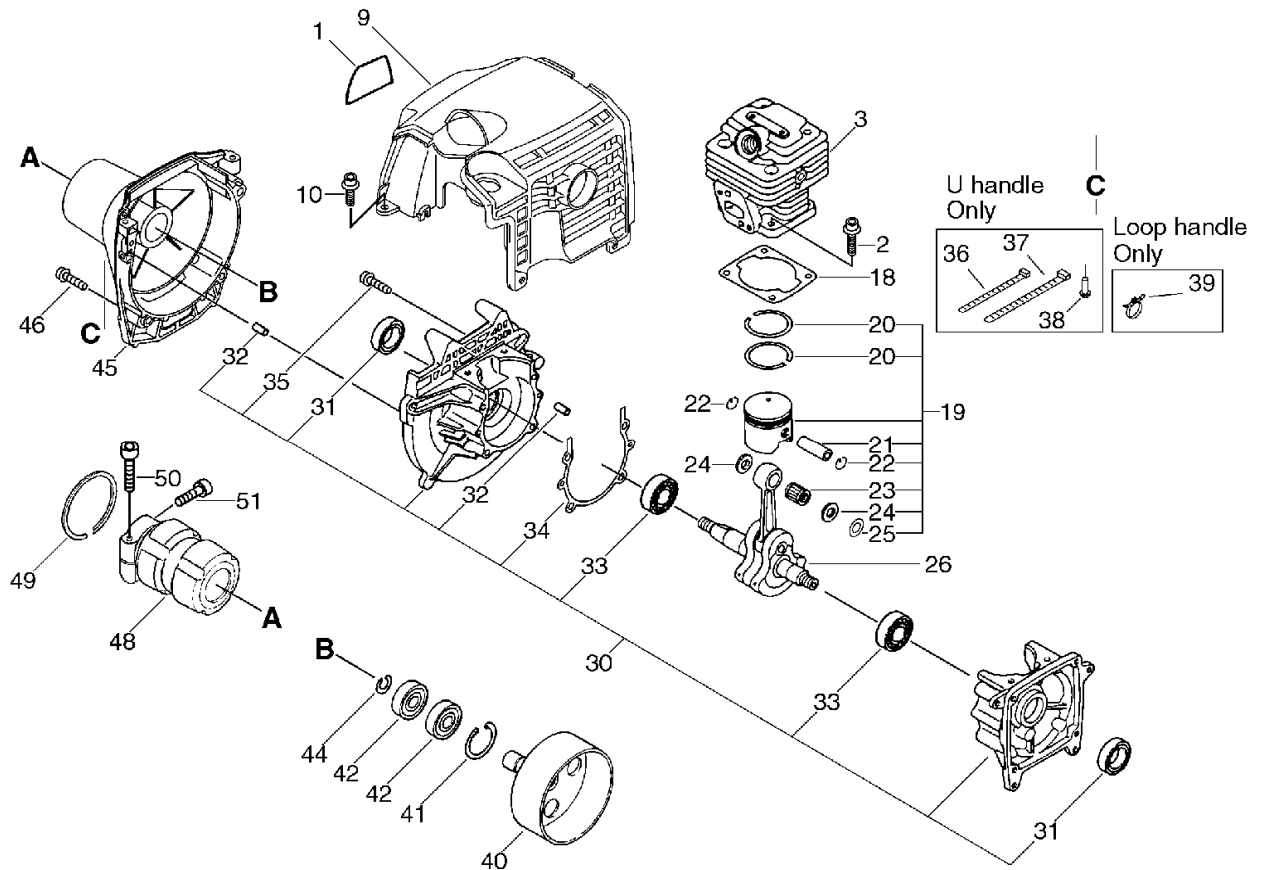
SRM-330ES(36)

1. Cylinder, Crankcase, Piston, Fan Cover



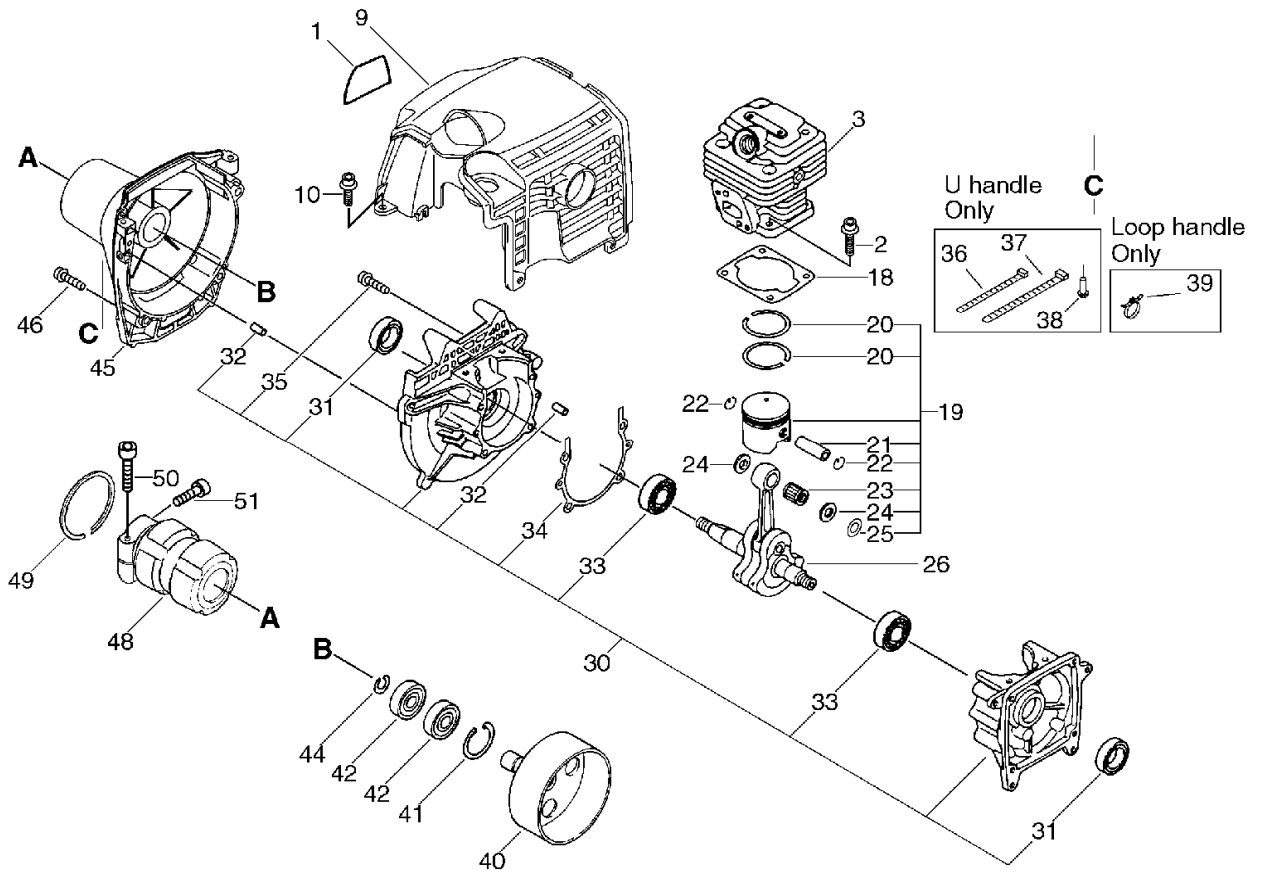
| KEY | LV | PART NUMBER | Q'TY | DESCRIPTION | REMARKS | NOTE1 | NOTE2 |
|-----|----|--------------|------|---------------------|--------------|---------------------|-------|
| 1 | | X503-005890 | 1 | LABEL,MODEL | SRM-330ES | Sus. by X547-000130 | |
| 1 | | X547-000130 | 1 | LABEL,ECHO | SRM-330ES | Sus. by X547-000980 | |
| 2 | | 900162-05020 | 4 | BOLT, H.S. 5*20 | 5*20 W,SW | | |
| 3 | | A130-000630 | 1 | CYLINDER | | | |
| 9 | | A160-000390 | 1 | COVER,CYLINDER | | Sus. by A160-000391 | |
| 9 | | A160-000391 | 1 | COVER,CYLINDER | | | |
| 10 | | 900106-05012 | 2 | BOLT, H.S. 5*12 | 5*12 | Sus. by 91121-05012 | |
| 18 | | 101010-55430 | 1 | GASKET, CYL. BASE | | | |
| 19 | | P021-006802 | 1 | PISTON KIT | | | |
| 20 | + | A101-000080 | 2 | RING,PISTON | | | |
| 21 | + | 100013-27430 | 1 | PIN, PISTON | | | |
| 22 | + | 100015-03931 | 2 | CIRCLIP, PISTON PIN | | | |
| 23 | + | 100012-16131 | 1 | BEARING, NEEDLE | | | |
| 24 | + | 100014-53630 | 2 | SPACER, PISTON PIN | | | |
| 25 | + | V306-000121 | 1 | WASHER,CIRCULAR 8 | 9.1*16*T1 | | |
| 26 | | 100100-55430 | 1 | CRANKSHAFT ASSY | | | |
| 30 | | 100204-55430 | 1 | CRANKCASE KIT | | | |
| 31 | + | 100213-05530 | 2 | OILSEAL | ISCD 12 22 7 | | |
| 32 | + | 100215-03930 | 4 | PIN, DOWEL | | | |
| 33 | + | 94035-36201 | 2 | BEARING BALL | 6201X3JR2C3 | | |
| 34 | + | 100242-55430 | 1 | GASKET, CRANKCASE | | | |
| 35 | + | 900162-05030 | 4 | BOLT, H.S. 5*30 | 5*30 W,SW | | |

1. Cylinder, Crankcase, Piston, Fan Cover



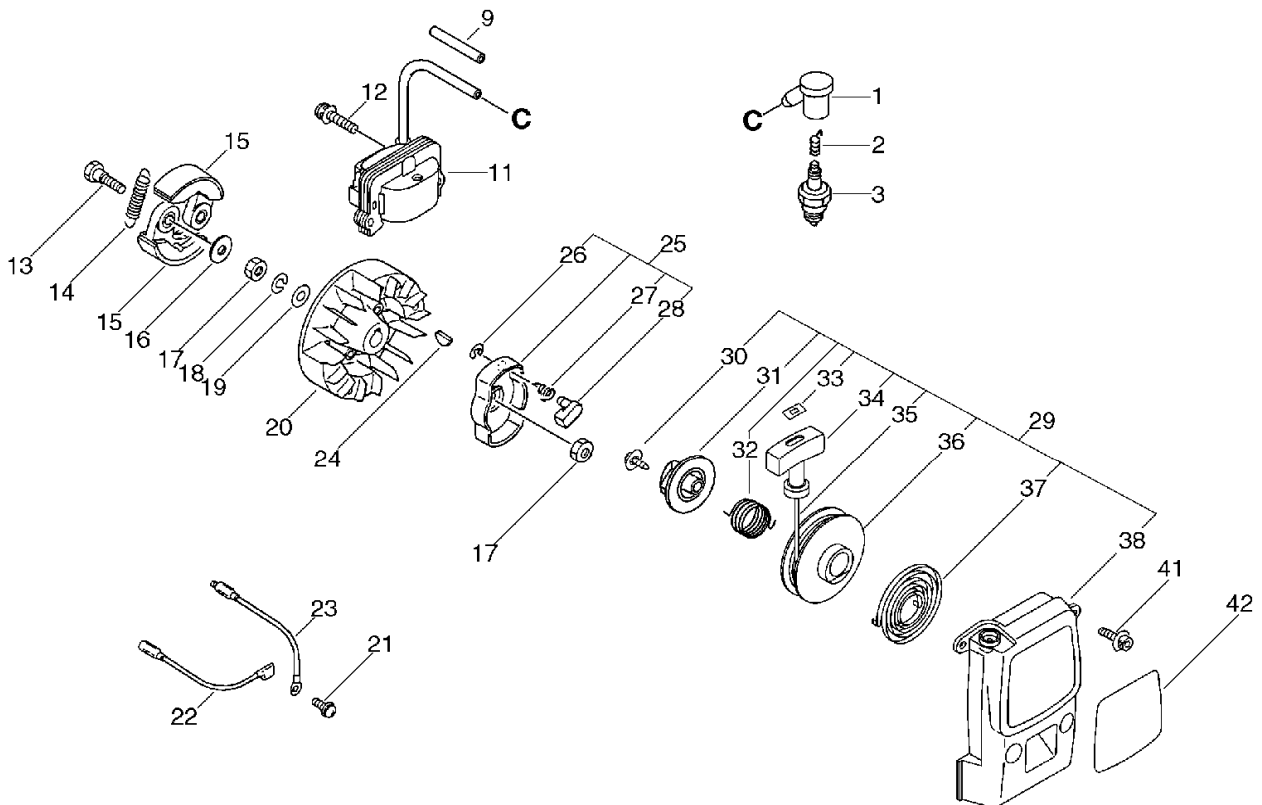
| KEY | LV | PART NUMBER | Q'TY | DESCRIPTION | REMARKS | NOTE1 | NOTE2 |
|-----|----|--------------|------|--------------------|----------------------|---|-------|
| 36 | | 178121-43230 | 1 | BAND | CV-150 BL | Sr/Nr 36003731 and after/Loop handle only | |
| 37 | | V495-000760 | 1 | BAND | CV-250A | Sr/Nr 36003731 and after/Loop handle only | |
| 38 | | 302013-10910 | 1 | RIVET | | Sr/Nr 36003731 and after/Loop handle only | |
| 39 | | V491-000130 | 2 | CLIP | RICHCO SRC-10- 01 | Sus. by V491- 000160 | |
| 39 | | V491-000160 | 1 | CLIP | | Sr/Nr 36003731 and after/U-handle only | |
| 40 | | 175005-49930 | 1 | DRUM, CLUTCH | | | |
| 41 | | 900702-00028 | 1 | CIRCLIP 28 | CR-28 | | |
| 42 | | 900807-06001 | 2 | BEARING, BALL 6001 | 6001V(LB) | | |
| 44 | | 900701-00012 | 1 | CIRCLIP 12 | CS-12 | | |
| 45 | | A172-000260 | 1 | COVER,FAN | | Loop handle only | |
| 45 | | A172-000540 | 1 | COVER,FAN | | Sr/Nr 36003731 and after/U-handle only | |

1. Cylinder, Crankcase, Piston, Fan Cover



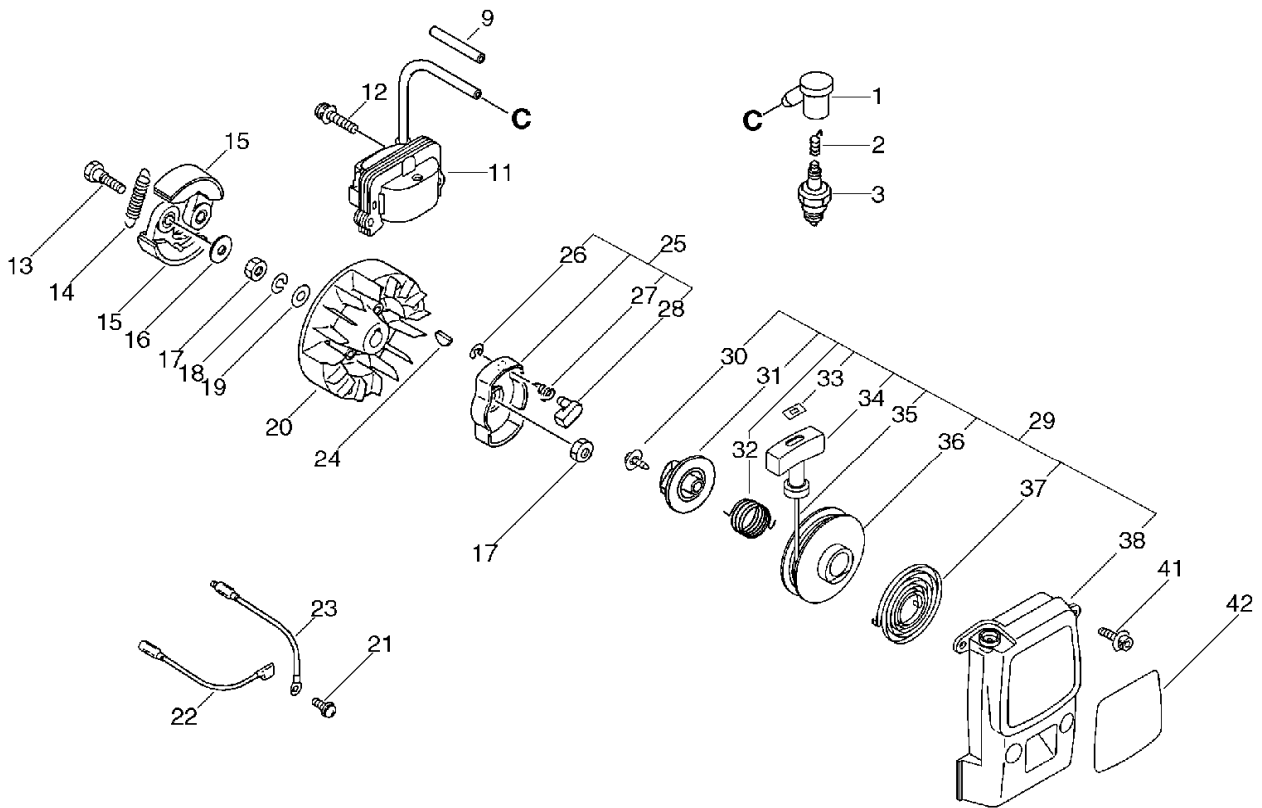
| KEY | LV | PART NUMBER | Q'TY | DESCRIPTION | REMARKS | NOTE1 | NOTE2 |
|-----|----|--------------|------|---------------------|-----------|---------------------|-------|
| 46 | | 900162-05020 | 4 | BOLT, H.S. 5*20 | 5*20 W,SW | Sus. by 91118-05020 | |
| 48 | | V420-000420 | 1 | CUSHION | | | |
| 49 | | 900702-00045 | 1 | RING, RETAINING(IN) | CR-45 | | |
| 50 | | 900162-05028 | 1 | BOLT, H.S. 5*28 | 5*28 W,SW | Sus. by 91118-05028 | |
| 51 | | 900162-05012 | 1 | BOLT, H.S. 5*12 | 5*12 W,SW | Sus. by 91118-05012 | |

2. Starter, Magneto, Clutch



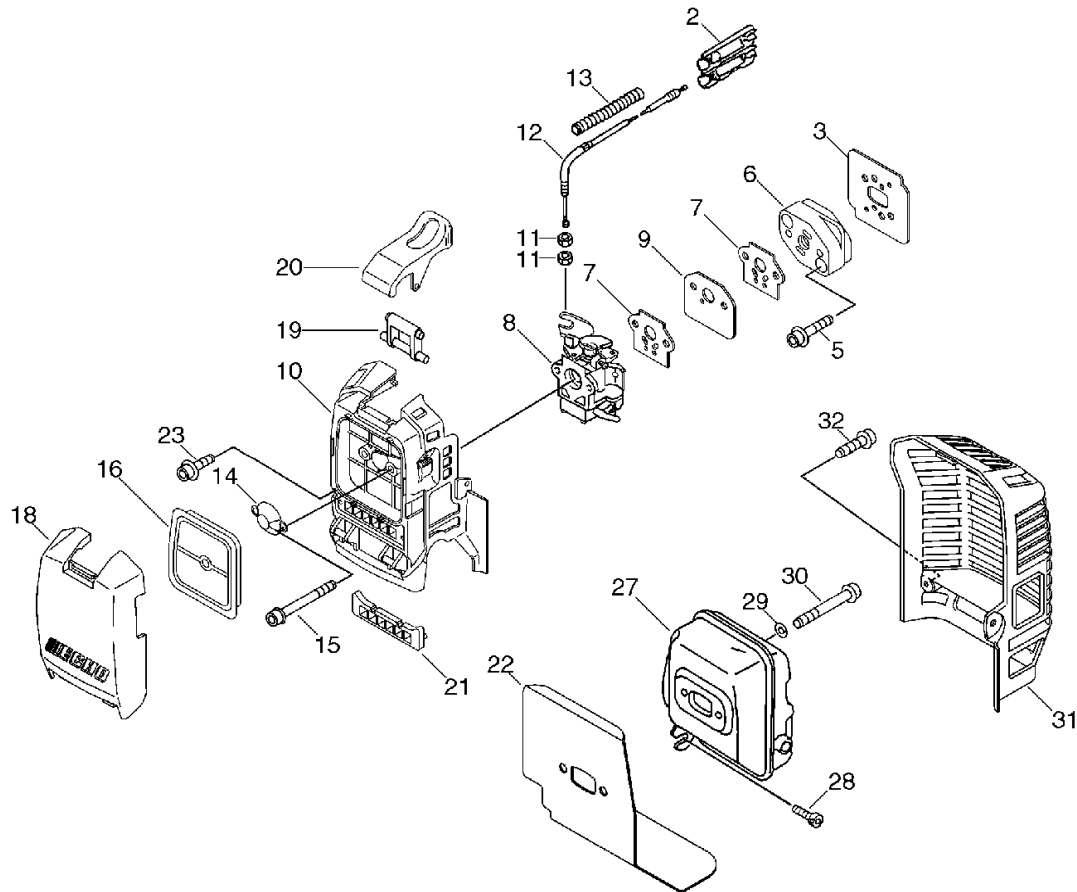
| KEY | LV | PART NUMBER | Q'TY | DESCRIPTION | REMARKS | NOTE1 | NOTE2 |
|-----|----|--------------|------|-----------------------|------------|----------------------|-------|
| 1 | | A427-000000 | 1 | CAP, SPARK PLUG | | | |
| 2 | | A426-000000 | 1 | TERMINAL, SPARK PLUG | | | |
| 3 | | 159010-10230 | 1 | PLUG, SPARK (BPMR-7A) | BPMR-7A | | |
| 9 | | 437412-16430 | 1 | TUBE, PROTECTOR | | | |
| 11 | | 152626-55730 | 1 | COIL, IGNITION | | | |
| 12 | | 900162-05020 | 2 | BOLT, H.S. 5*20 | 5*20 W, SW | | |
| 13 | | 175046-46430 | 2 | BOLT, CLUTCH | | | |
| 14 | | 175018-49931 | 1 | SPRING, CLUTCH | | Sus. by 175018-49932 | |
| 14 | | 175018-49932 | 1 | SPRING, CLUTCH | | | |
| 15 | | A553-000000 | 2 | ARM, CLUTCH | | | |
| 16 | | 175048-05530 | 2 | WASHER (I) | 6.2*19*1.0 | | |
| 17 | | 900502-00008 | 2 | NUT 8 (3N) | 3N8 | | |
| 18 | | 900605-00008 | 1 | WASHER, SPRING 8 | 8 | | |
| 19 | | 900600-00008 | 1 | WASHER 8 | 8 | | |
| 20 | | 152801-55430 | 1 | ROTOR, MAGNET | | | |
| 21 | | 900238-05010 | 1 | SCREW 5*10 | 5*10 | | |
| 22 | | V485-000230 | 1 | LEAD | | | |
| 23 | | V485-000240 | 1 | LEAD | | | |
| 24 | | 100142-12330 | 1 | KEY, WOODRUFF | | | |
| 25 | | A052-000190 | 1 | PULLEY, ASM STARTER | | | |
| 26 | + | P022-002100 | 2 | E-RING | 4 | | |
| 27 | + | 177234-40630 | 2 | SPRING, RETURN | | | |
| 28 | + | P022-006850 | 2 | PAWL, STARTER | | | |
| 29 | | A051-000760 | 1 | STARTER, RECOIL | | | |
| 30 | + | 177236-61830 | 1 | SCREW | | | |

2. Starter, Magneto, Clutch



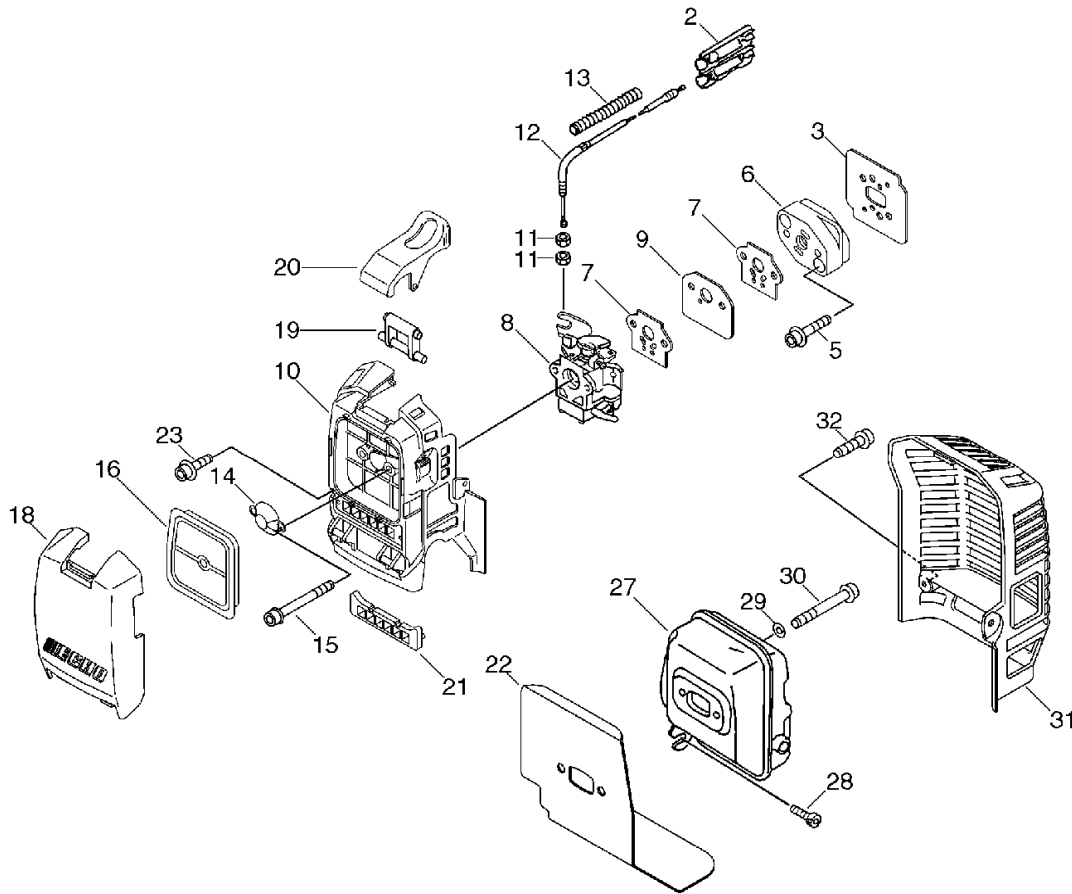
| KEY | LV | PART NUMBER | Q'TY | DESCRIPTION | REMARKS | NOTE1 | NOTE2 |
|-----|----|--------------|------|--------------------|---------|---------------------|-------|
| 31 | + | P022-008460 | 1 | PLATE, CAM | | | |
| 32 | + | P022-008450 | 1 | SPRING, DAMPER | | | |
| 33 | + | 177246-11120 | 1 | CLIP, STARTER ROPE | | | |
| 34 | + | 177228-27030 | 1 | GRIP, STARTER | | | |
| 35 | + | P022-008440 | 1 | ROPE, STARTER | 3.5*900 | | |
| 36 | + | P022-008470 | 1 | DRUM | | | |
| 37 | + | 177220-40630 | 1 | SPRING, REWIND | | | |
| 38 | + | P022-008540 | 1 | STARTER, RECOIL | | | |
| 41 | | 900106-05016 | 4 | BOLT, H.S. 5*16 | 5*16 | Sus. by 91121-05016 | |
| 42 | | X502-000170 | 1 | LABEL, ECHO | | Sus. by X502-000070 | |
| 42 | | X502-000070 | 1 | LABEL, ECHO | | Sus. by X502-000520 | |

3. Air Cleaner, Muffler



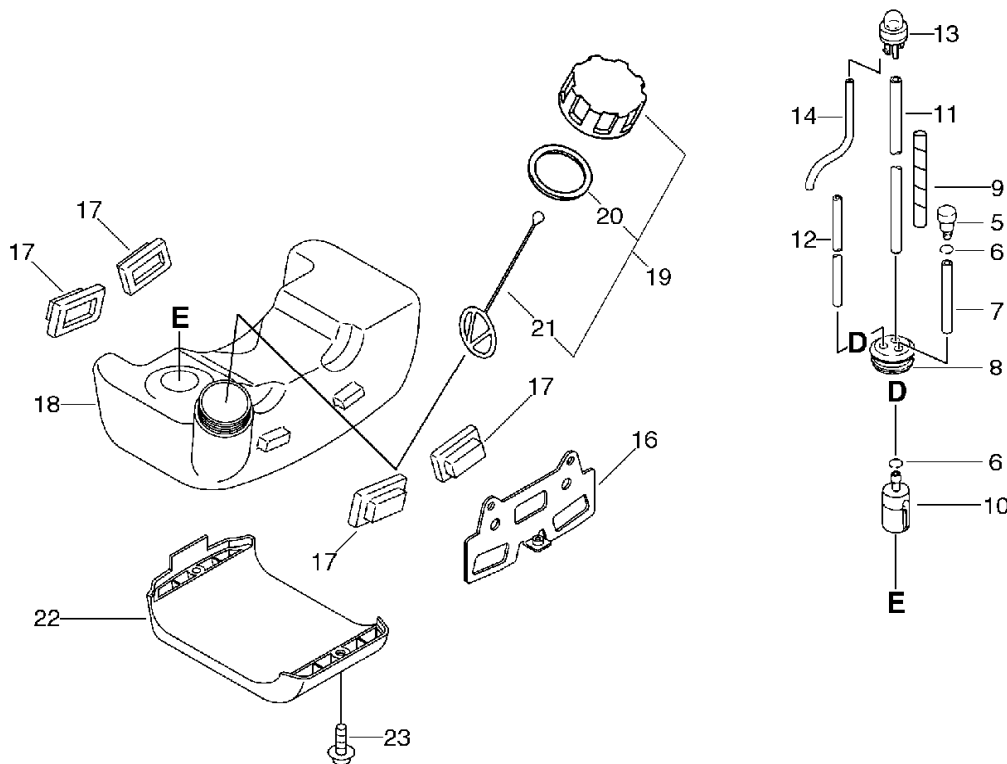
| KEY | LV | PART NUMBER | Q'TY | DESCRIPTION | REMARKS | NOTE1 | NOTE2 |
|-----|----|--------------|------|----------------------|-----------|---------------------|-------|
| 2 | | 178081-55931 | 1 | CONNECTOR,CABLE | | | |
| 3 | | V103-000150 | 1 | GASKET,INTAKE | | | |
| 5 | | 900162-05025 | 2 | BOLT, H.S. 5*25 | 5*25 W,SW | | |
| 6 | | A200-000090 | 1 | INSULATOR,INTAKE | | | |
| 7 | | V103-000160 | 2 | GASKET,INTAKE | | | |
| 8 | | A021-000421 | 1 | CARBURETOR,DIAPHRAGM | WYJ-312A | | |
| 9 | | A200-000100 | 1 | INSULATOR,INTAKE | | | |
| 10 | | P021-004280 | 1 | CASE,AIR CLEANER | | | |
| 11 | | 900502-00006 | 2 | NUT 6 (3N) | 3N6 | | |
| 12 | | V430-000540 | 1 | CABLE,BOWDEN | | | |
| 13 | | V475-002210 | 1 | TUBE | | | |
| 14 | | A244-000010 | 1 | PLATE,PREVENT | | | |
| 15 | | 900105-05060 | 2 | BOLT, H.S. 5*60 | 5*60 | | |
| 16 | | A226-000140 | 1 | ELEMENT,AIR FILTER | | | |
| 18 | | A232-000151 | 1 | LID,CLEANER | | | |
| 19 | | J485-000030 | 1 | HINGE | | | |
| 20 | | A235-000100 | 1 | KNOB,CLEANER LID | | | |
| 21 | | V420-000640 | 1 | CUSHION | | | |
| 22 | | V104-000330 | 1 | GASKET,EXHAUST | | | |
| 23 | | 900106-05012 | 1 | BOLT, H.S. 5*12 | 5*12 | | |
| 27 | | 145610-55230 | 1 | MUFFLER | | Sus. by P021-008870 | |
| 27 | | P021-008870 | 1 | MUFFLER ASY | | | |
| 28 | | 900162-05012 | 1 | BOLT, H.S. 5*12 | 5*12 W,SW | | |
| 29 | | 900600-00005 | 2 | WASHER 5 | 5 | | |
| 30 | | 900105-05060 | 2 | BOLT, H.S. 5*60 | 5*60 | | |

3. Air Cleaner, Muffler



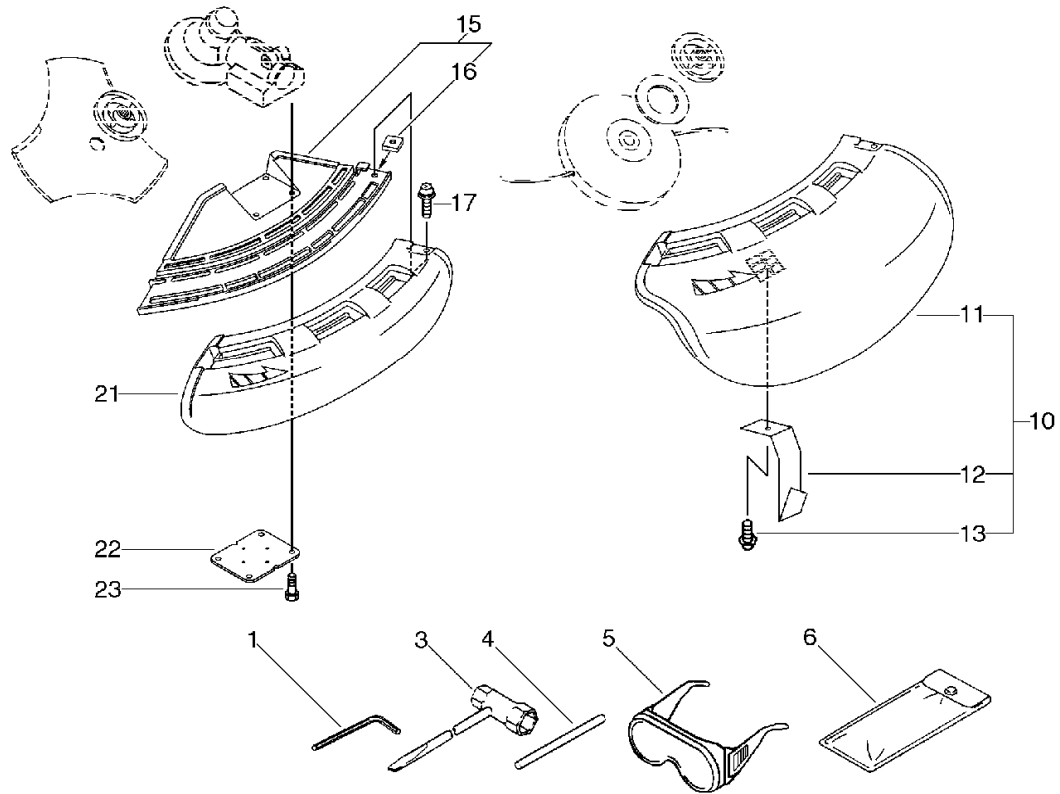
| KEY | LV | PART NUMBER | Q'TY | DESCRIPTION | REMARKS | NOTE1 | NOTE2 |
|-----|----|--------------|------|-----------------|---------|---------------------|-------|
| 31 | | A320-000130 | 1 | COVER,MUFFLER | | | |
| 32 | | 900106-05012 | 1 | BOLT, H.S. 5*12 | 5*12 | Sus. by 91121-05012 | |

4. Fuel Tank



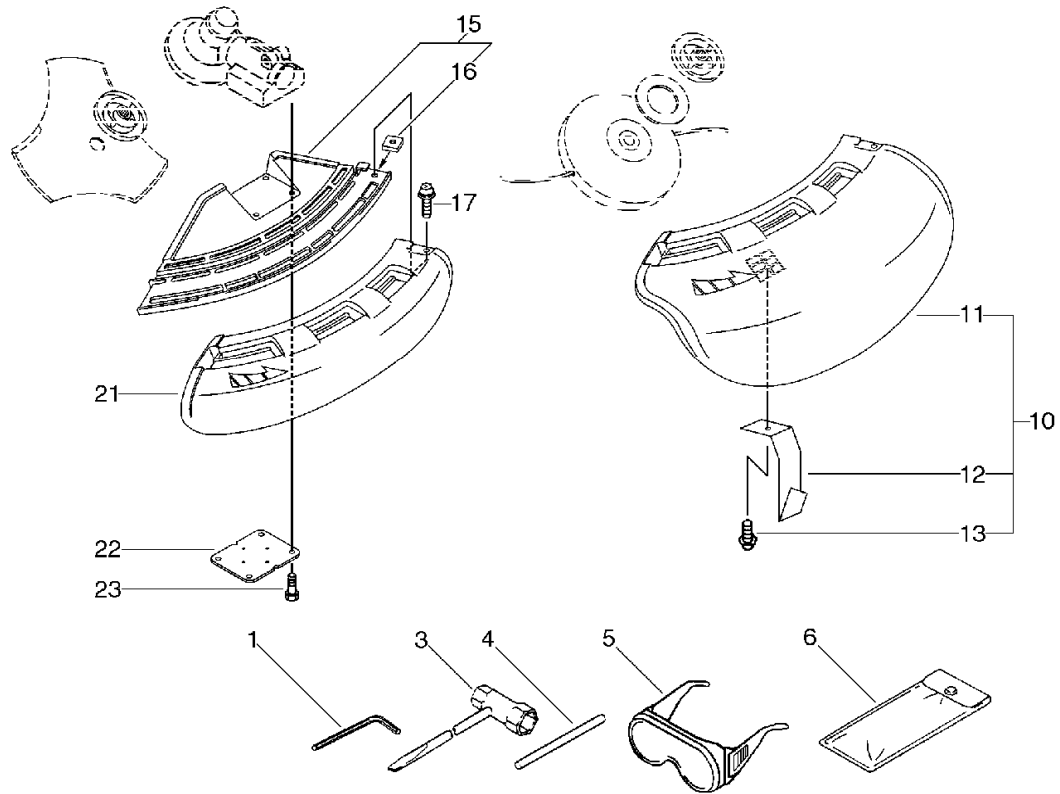
| KEY | LV | PART NUMBER | Q'TY | DESCRIPTION | REMARKS | NOTE1 | NOTE2 |
|-----|----|--------------|------|--------------------|---------------|---------------------|-------|
| 5 | | 131300-56430 | 1 | VALVE, CHECK | | | |
| 6 | | 132013-26630 | 2 | CLIP | 6.5MM | | |
| 7 | | V471-001180 | 1 | PIPE | 3*6*35 NBR | | |
| 8 | | 132115-55930 | 1 | GROMMET, FUEL | | | |
| 9 | | V475-002240 | 1 | TUBE | | | |
| 10 | | 131205-14930 | 1 | STRAINER, FUEL | | | |
| 11 | | 132010-22130 | 1 | PIPE, FUEL | 3*6*150L NBR | | |
| 12 | | 132010-53630 | 1 | PIPE | 3*6*180 NBR | | |
| 13 | | 123181-39130 | 1 | PUMP, PRIMER | | | |
| 14 | | V471-000640 | 1 | PIPE | 2.38*4.76*105 | | |
| 16 | | A393-000060 | 1 | BRACKET, FUEL TANK | | | |
| 17 | | 131920-55430 | 4 | CUSHION, FUEL TANK | | | |
| 18 | | A350-000200 | 1 | TANK, FUEL | | | |
| 19 | | P021-004290 | 1 | CAP ASY, FUEL TANK | | Sus. by P021-012210 | |
| 20 | + | 131016-55830 | 1 | GASKET, FUEL CAP | | | |
| 21 | + | A365-000020 | 1 | CONNECTOR, CAP | | Sus. by A365-000060 | |
| 22 | | A175-000010 | 1 | STAND | | Sus. by A175-000011 | |
| 22 | | A175-000011 | 1 | STAND | | | |
| 23 | | 900106-05016 | 2 | BOLT, H.S. 5*16 | 5*16 | Sus. by 91121-05016 | |

5. Shield, Tools(Sr/Nr 36029153 and before)



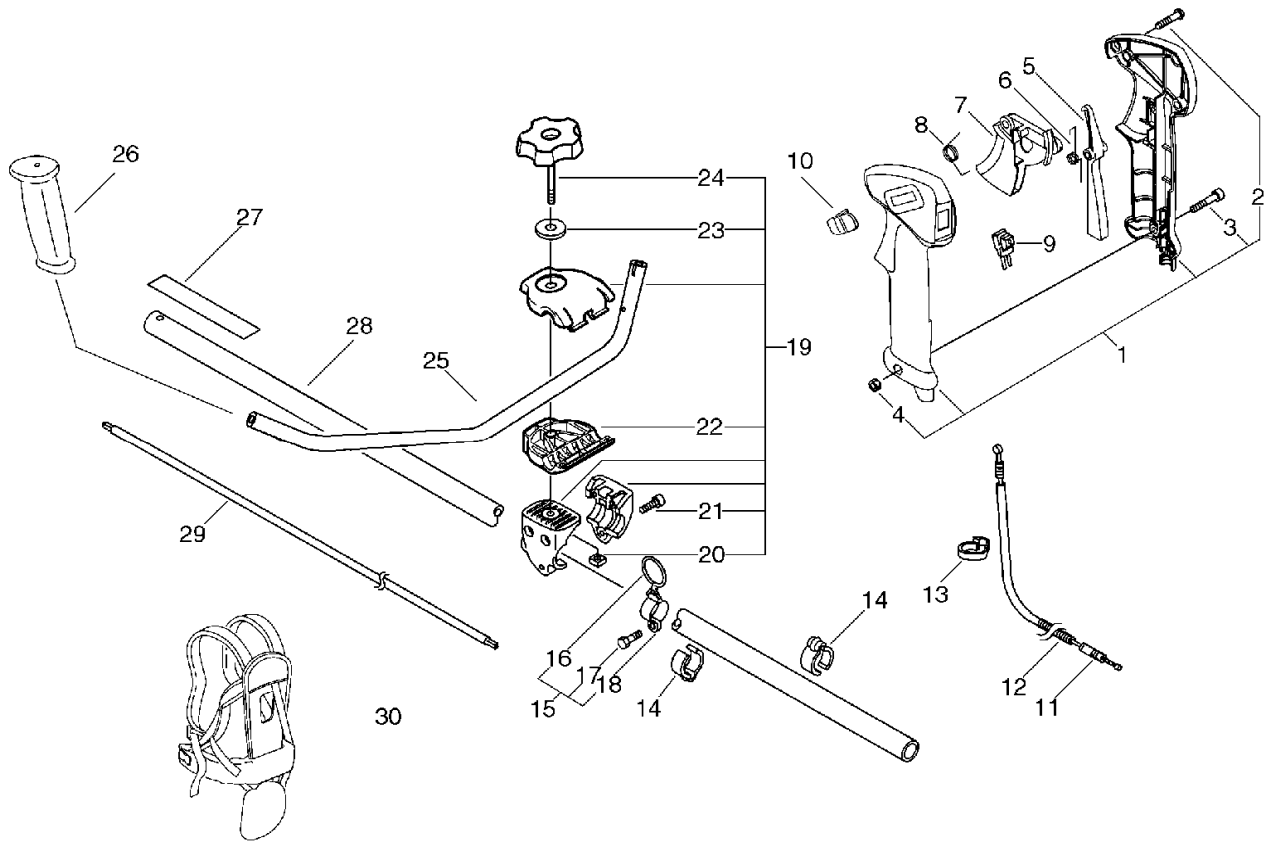
| KEY | LV | PART NUMBER | Q'TY | DESCRIPTION | REMARKS | NOTE1 | NOTE2 |
|-----|----|--------------|------|----------------------|------------|------------------------------|-------|
| 1 | | 895610-00130 | 1 | L-WRENCH (4MM) | | | |
| 3 | | X602-000020 | 1 | TOOL,WRENCH | 17*19 L200 | | |
| 4 | | 897518-01131 | 1 | LOCKING TOOL | | | |
| 5 | | X690-000030 | 1 | GOGGLE | | | |
| 6 | | 898510-39130 | 1 | BAG, TOOL | | | |
| 10 | | P021-002620 | 1 | SHIELD,BLADE(W/KNIFE | | Sr/Nr 36029153 and before | |
| 11 | + | C550-000080 | 1 | SHIELD,BLADE | | | |
| 12 | + | C554-000000 | 1 | KNIFE,CORD | | Sr/Nr 36029153 and before | |
| 13 | + | 900252-05012 | 1 | SCREW 5*12 | 5*12 | | |
| 15 | | C550-000100 | 1 | SHIELD,BLADE | | | |
| 16 | + | 900565-00005 | 1 | NUT | 5 | | |
| 17 | | 900242-05018 | 1 | SCREW 5*18 | 5*18 | | |
| 21 | | C550-000090 | 1 | SHIELD,BLADE | | | |
| 22 | | 699013-56830 | 1 | PLATE, SHIELD | | | |
| 23 | | 900162-05025 | 4 | BOLT, H.S. 5*25 | 5*25 W,SW | Sus. by 91118- 05025 | |

6. Shield, Tools(Sr/Nr 36029154 and after)



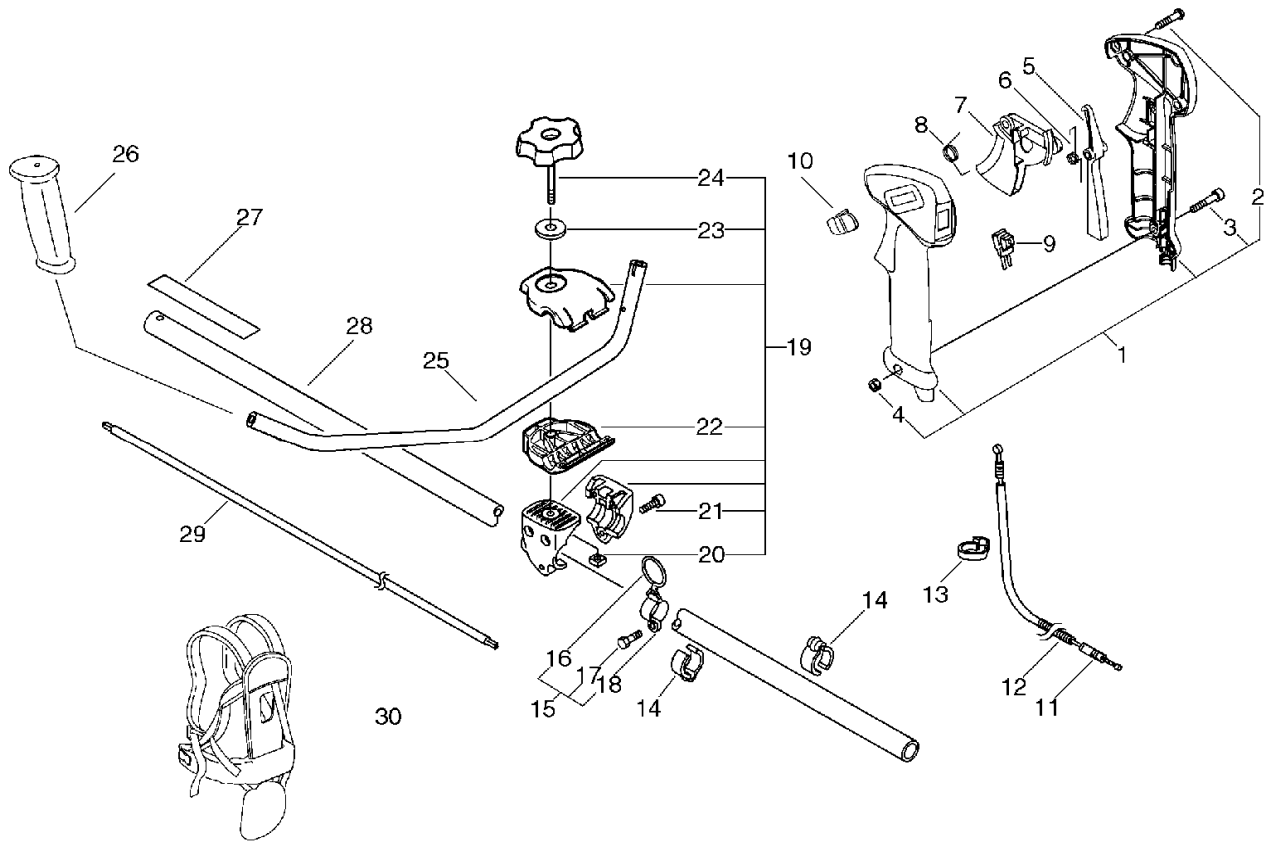
| KEY | LV | PART NUMBER | Q'TY | DESCRIPTION | REMARKS | NOTE1 | NOTE2 |
|-----|----|--------------|------|----------------|------------|-----------------------------|-------|
| 1 | | 895610-00130 | 1 | L-WRENCH (4MM) | | | |
| 3 | | X602-000020 | 1 | TOOL,WRENCH | 17*19 L200 | | |
| 4 | | 897518-01131 | 1 | LOCKING TOOL | | | |
| 5 | | P021-002861 | 1 | GOGGLES | | | |
| 6 | | 898510-39130 | 1 | BAG, TOOL | | | |
| 10 | | P021-013770 | 1 | SHIELD KIT | | Sr/Nr 36029154 and after | |
| 11 | + | C550-000080 | 1 | SHIELD,BLADE | | | |
| 12 | + | C554-000030 | 1 | KNIFE, CORD | 17INCH | Sr/Nr 36029154 and after | |
| 13 | + | 900252-05012 | 1 | SCREW 5*12 | 5*12 | | |
| 15 | | C550-000100 | 1 | SHIELD,BLADE | | | |
| 16 | + | 900565-00005 | 1 | NUT | 5 | | |
| 17 | | 900242-05018 | 1 | SCREW 5*18 | 5*18 | | |
| 21 | | C550-000090 | 1 | SHIELD,BLADE | | | |
| 22 | | 699013-56830 | 1 | PLATE, SHIELD | | | |
| 23 | | 91118-05025 | 4 | BOLT | CM-5*25 | | |

7. U-Handle(Sr/Nr 36028553 and befor)



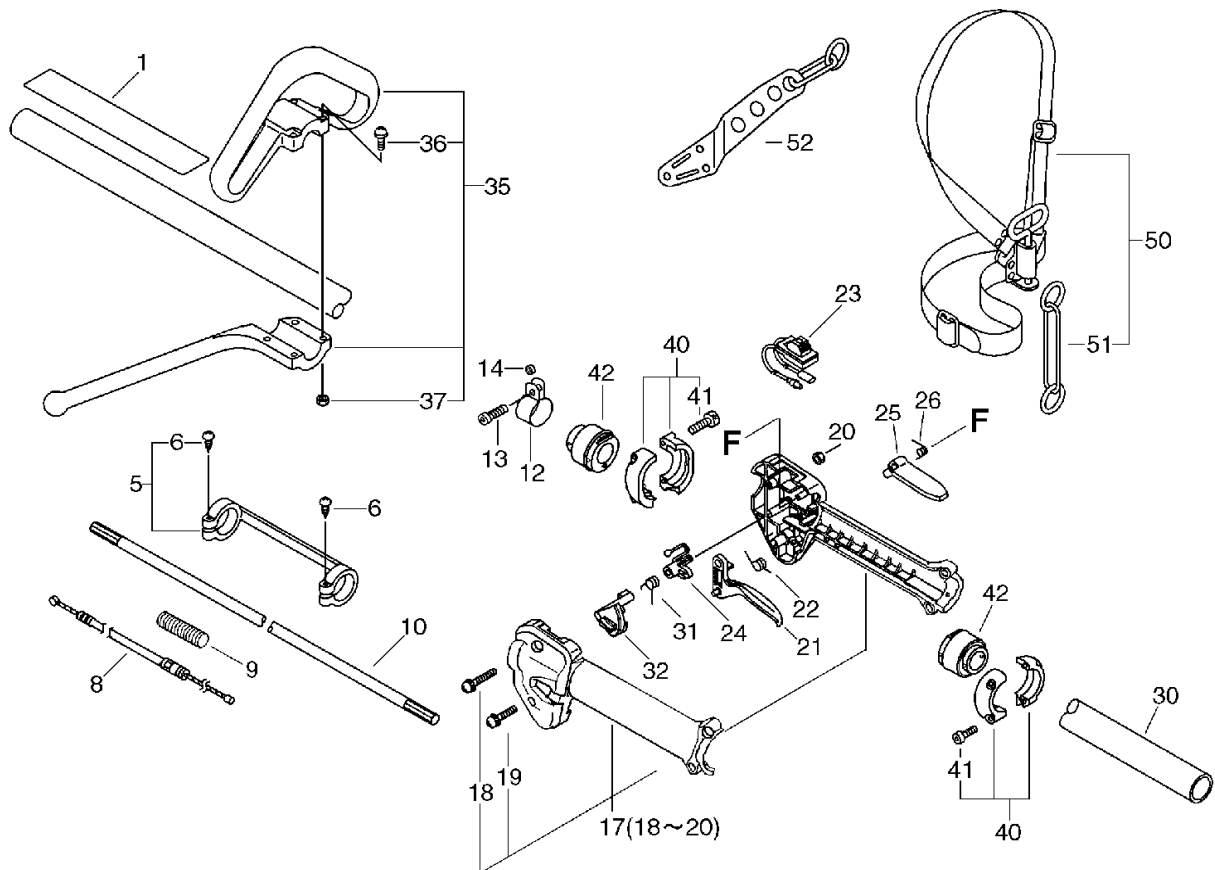
| KEY | LV | PART NUMBER | Q'TY | DESCRIPTION | REMARKS | NOTE1 | NOTE2 |
|-----|----|--------------|------|-------------------|---------|-----------------------------|-------|
| 1 | | P021-002612 | 1 | GRIP ASY,F-HANDLE | | Sr/Nr 36028553 and befor | |
| 2 | + | 900253-04016 | 3 | SCREW 4*16 | 4*16 | Sr/Nr 36028553 and befor | |
| 3 | + | 900220-05030 | 1 | SCREW 5*30 | 5*30 | Sr/Nr 36028553 and befor | |
| 4 | + | 900500-00005 | 1 | NUT 5 | 5 | | |
| 5 | | C460-000011 | 1 | LOCKOUT,THROTTLE | | Sr/Nr 36028553 and befor | |
| 6 | | V452-000130 | 1 | SPRING,TORSION | | Sr/Nr 36028553 and befor | |
| 7 | | C450-000022 | 1 | TRIGGER,THROTTLE | | Sr/Nr 36028553 and befor | |
| 8 | | V452-000060 | 1 | SPRING,TORSION | | Sr/Nr 36028553 and befor | |
| 9 | | A440-000400 | 1 | SWITCH,ON OFF | | Sr/Nr 36028553 and befor | |
| 10 | | C463-000000 | 1 | KNOB,LATCH | | Sr/Nr 36028553 and befor | |
| 11 | | V430-000561 | 1 | CABLE,BOWDEN | | Sr/Nr 36028553 and befor | |
| 12 | | V475-002220 | 1 | TUBE | 7*680 | Sr/Nr 36028553 and befor | |
| 13 | | 159112-09960 | 1 | CLIP | | Sus. by 159112- 09961 | |
| 13 | | 159112-09961 | 1 | CLIP | | | |

7. U-Handle(Sr/Nr 36028553 and befor)



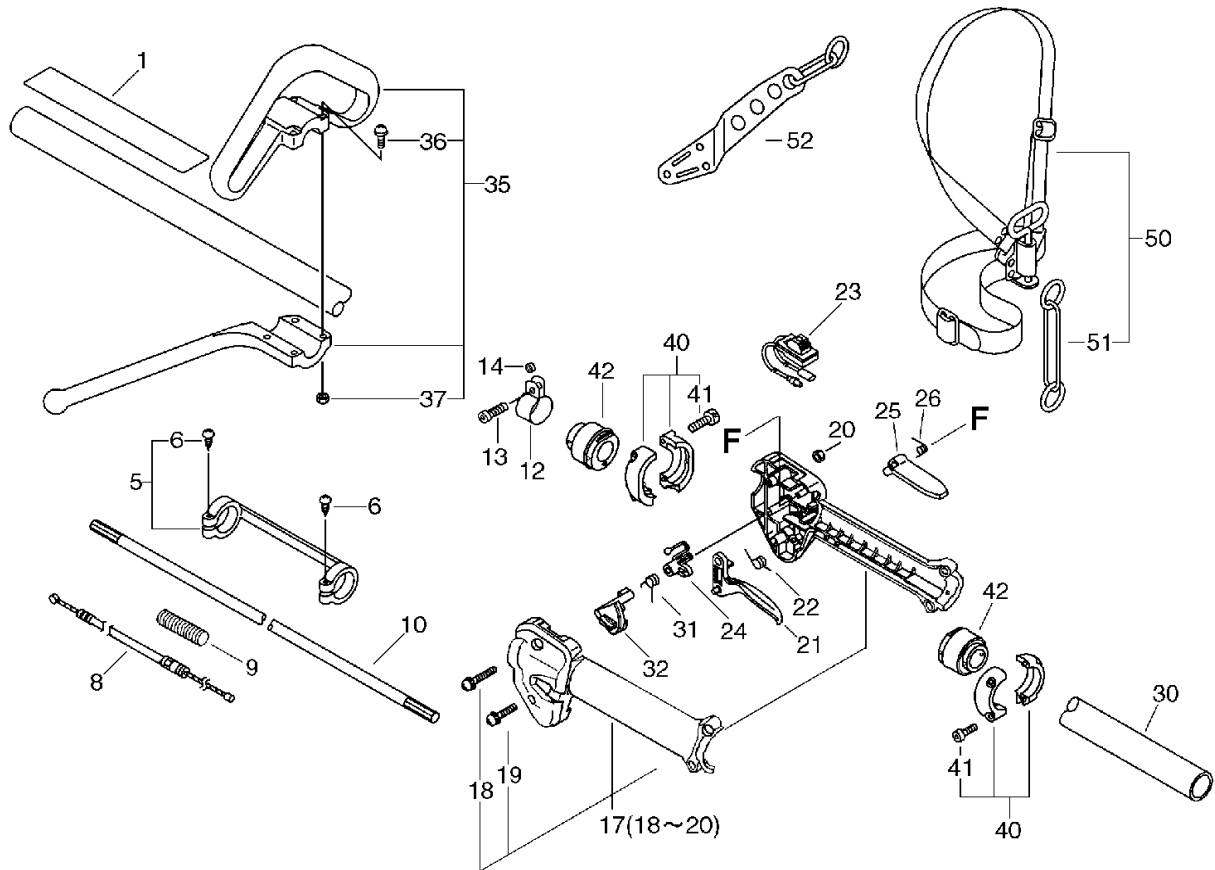
| KEY | LV | PART NUMBER | Q'TY | DESCRIPTION | REMARKS | NOTE1 | NOTE2 |
|-----|----|---------------|------|---------------------|-----------|---------------------|-------|
| 14 | | 224924-52930 | 2 | CLIP | 28MM | | |
| 15 | | 301200-052300 | 1 | HOOK ASS'Y | | | |
| 16 | + | 301015-05330 | 1 | HOOK, BAND | | | |
| 17 | + | 900105-05012 | 1 | BOLT, H.S. 5*12 | 5*12 | Sus. by 91119-05012 | |
| 18 | + | 301205-04630 | 1 | HOOK | | | |
| 19 | | P021-002761 | 1 | BRACKET ASY, HANDLE | | | |
| 20 | + | 900565-50008 | 1 | NUT | 8*1.25 | | |
| 21 | + | 900162-05030 | 3 | BOLT, H.S. 5*30 | 5*30 W,SW | Sus. by 91118-05030 | |
| 22 | + | C423-000041 | 1 | FIXTURE, HANDLE | | | |
| 23 | + | 605014-54230 | 1 | WASHER | | | |
| 24 | + | V299-000110 | 1 | KNOB, FASTENER | | | |
| 25 | | C400-000211 | 1 | HANDLE, FRONT | | | |
| 26 | | C403-000031 | 1 | GRIP, HANDLE | | | |
| 27 | | 890617-43130 | 1 | LABEL, CAUTION | | | |
| 28 | | C050-000410 | 1 | PIPE, MAIN | | | |
| 29 | | 610011-49930 | 1 | SHAFT, DRIVE | | | |
| 30 | | C062-000170 | 1 | HARNESS, SHOULDER | | Sus. by C062-000181 | |
| 30 | | C062-000180 | 1 | HARNESS, SHOULDER | ECHO | Sus. by C062-000181 | |
| 30 | | C062-000181 | 1 | HARNESS, SHOULDER | | Sus. by C062-000182 | |

9. Loop Handle



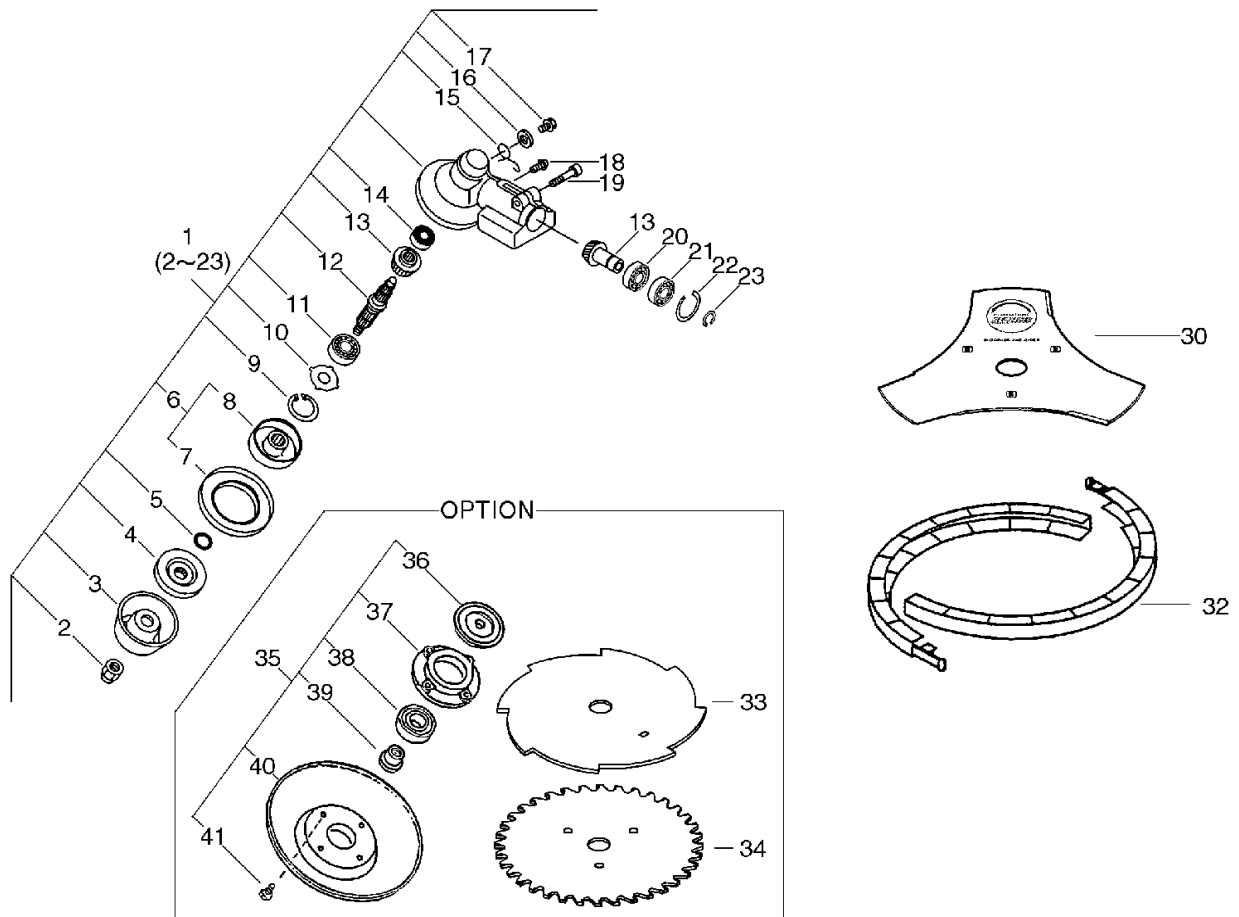
| KEY | LV | PART NUMBER | Q'TY | DESCRIPTION | REMARKS | NOTE1 | NOTE2 |
|-----|----|--------------|------|-----------------------|---------|----------------------|-------|
| 1 | | 890617-43130 | 1 | LABEL, CAUTION | | | |
| 5 | | 610281-42230 | 1 | COLLER | | | |
| 6 | + | 900253-04025 | 2 | SCREW 4*25 | 4*25 | | |
| 8 | | V430-000930 | 1 | CABLE, BOWDEN | | | |
| 9 | | V475-002210 | 1 | TUBE | | | |
| 10 | | 610011-49930 | 1 | SHAFT, DRIVE | | | |
| 12 | | 301207-07530 | 2 | HOOK | | | |
| 13 | | 900105-05018 | 2 | BOLT, H.S. 5*18 | 5*18 | Sus. by 91119-05018 | |
| 14 | | V353-000090 | 2 | COLLAR, 5 | | | |
| 17 | | P021-007990 | 1 | BRACKET SET, THROTTLE | | | |
| 18 | + | 900242-05035 | 1 | SCREW 5*35 | 5*35 | | |
| 19 | + | 900242-05025 | 3 | SCREW 5*25 | 5*25 | | |
| 20 | + | 900500-00005 | 4 | NUT 5 | 5 | | |
| 21 | | C450-000110 | 1 | TRIGGER, THROTTLE | | | |
| 22 | | V452-000200 | 1 | SPRING, TORSION | | | |
| 23 | | A440-000530 | 1 | SWITCH, ON OFF | | | |
| 24 | | C461-000000 | 1 | LATCH, THROTTLE | | | |
| 25 | | 178090-52631 | 1 | LOCKOUT, T. CONTROL | | Sus. by 178090-52632 | |
| 25 | | 178090-52632 | 1 | LOCKOUT, T. CONTROL | | | |
| 26 | | 178013-52630 | 1 | SPRING, THR. LOCK | | | |
| 30 | | C050-000410 | 1 | PIPE, MAIN | | | |
| 31 | | V452-000120 | 1 | SPRING, TORSION | | | |
| 32 | | C461-000010 | 1 | LATCH, THROTTLE | | | |
| 35 | | 351201-55630 | 1 | HANDLE ASSY, LOOP | | | |

9. Loop Handle



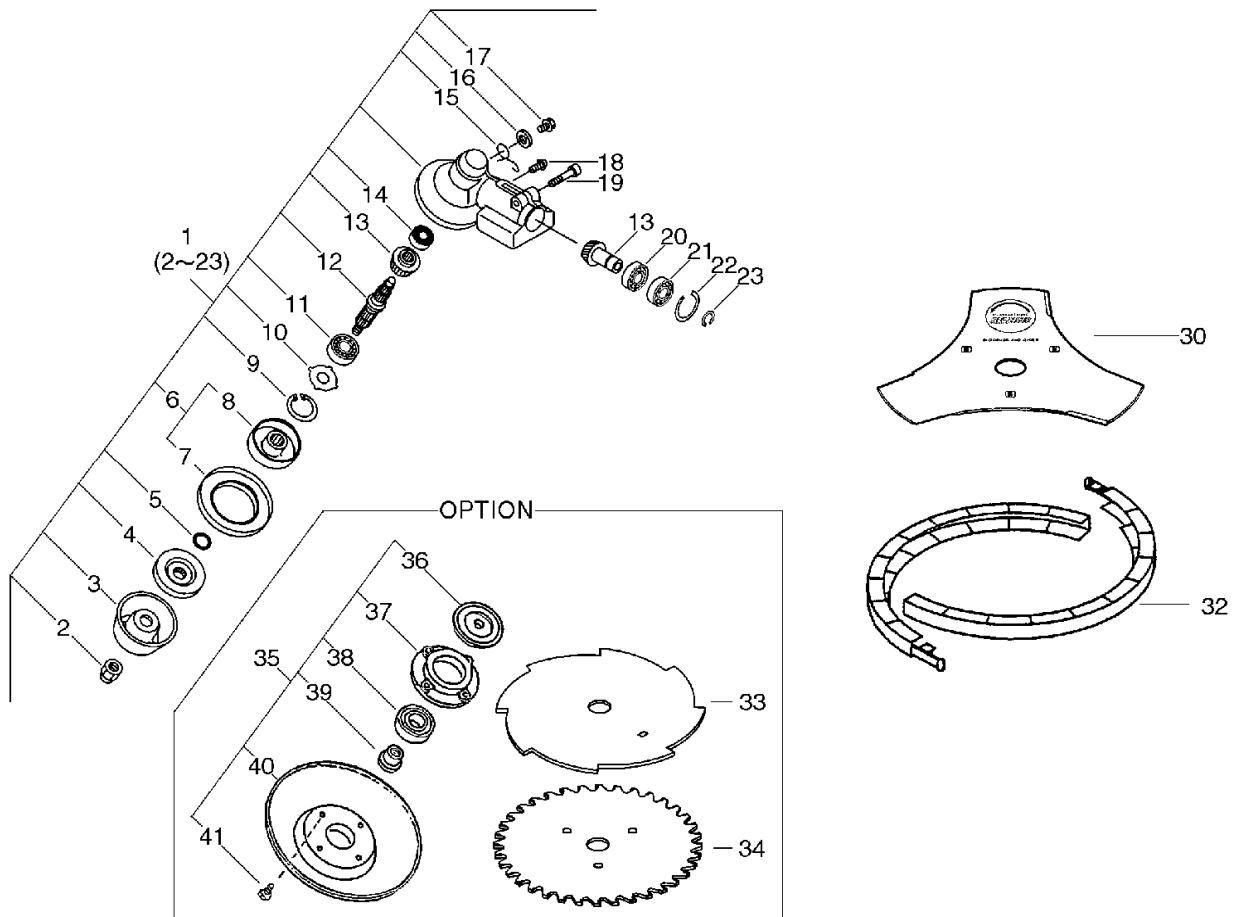
| KEY | LV | PART NUMBER | Q'TY | DESCRIPTION | REMARKS | NOTE1 | NOTE2 |
|-----|----|--------------|------|----------------------|-----------|----------------------|-------|
| 36 | + | 900242-05035 | 4 | SCREW 5*35 | 5*35 | | |
| 37 | + | 900500-00005 | 4 | NUT 5 | 5 | | |
| 40 | | P021-008000 | 2 | FIXTURE,ASY HANDLE | | Sus. by P021-012640 | |
| 41 | + | 900162-05025 | 4 | BOLT, H.S. 5*25 | 5*25 W,SW | Sus. by 91118-05025 | |
| 42 | | V420-001060 | 2 | CUSHION | | Sus. by V420-001061 | |
| 42 | | V420-001061 | 2 | CUSHION | | | |
| 50 | | 301000-55230 | 1 | HARNESS ASSY | | Sus. by 301000-55231 | |
| 50 | | 301000-55231 | 1 | HARNESS ASY,SHOULDER | | | |
| 51 | + | 301305-24330 | 1 | LINK | | | |
| 52 | | C624-000020 | 1 | HANGER,HARNESS | | | |

10. Gear Case, Blade



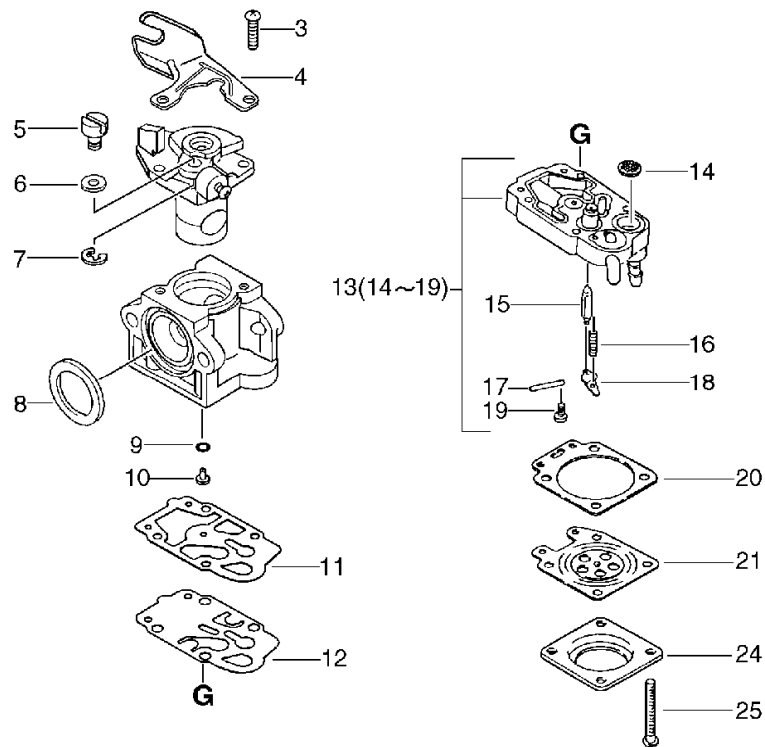
| KEY | LV | PART NUMBER | Q'TY | DESCRIPTION | REMARKS | NOTE1 | NOTE2 |
|-----|----|--------------|------|--------------------|-----------------|---------------------|-------|
| 1 | | 610400-56932 | 1 | CASE ASY, GEAR | | | |
| 2 | + | 610320-52130 | 1 | NUT 10 | | | |
| 3 | + | 699229-56830 | 1 | PLATE, COVER | | | |
| 4 | + | 610314-52130 | 1 | PLATE, ADAPTER (L) | | | |
| 5 | + | 900720-00012 | 1 | O-RING 12 | P-12 | | |
| 6 | + | C535-000001 | 1 | FIXTURE, BLADE | | | |
| 7 | ++ | 610352-56830 | 1 | PLATE, CUP | | | |
| 8 | ++ | C535-000011 | 1 | FIXTURE, BLADE | | | |
| 9 | + | 900702-00032 | 1 | CIRCLIP 32 | CR-32 | | |
| 10 | + | 610444-56830 | 1 | WASHER | | | |
| 11 | + | 900812-06201 | 1 | BEARING, BALL 6201 | 6201DDU(LLU) | | |
| 12 | + | 610310-56930 | 1 | SHAFT, P.T.O. | | | |
| 13 | + | 610300-56930 | 1 | GEAR SET | | | |
| 14 | + | 900810-00629 | 1 | BEARING, BALL 629 | 629 | | |
| 15 | + | 610473-52131 | 1 | SPRING | | | |
| 16 | + | 900603-50008 | 1 | WASHER | 8.5*18*0.8T | | |
| 17 | + | 610434-50031 | 1 | BOLT 8*8 | M8*8 | | |
| 18 | + | 900242-05010 | 1 | SCREW 5*10 | 5*10 | | |
| 19 | + | 900162-06030 | 1 | BOLT, H.S. 6*30 | 6*30W, SW | Sus. by 91118-06030 | |
| 20 | + | 900800-06001 | 1 | BEARING, BALL 6001 | 6001 | | |
| 21 | + | 900803-06001 | 1 | BEARING, BALL 6001 | 6001Z | | |
| 22 | + | 900702-00028 | 1 | CIRCLIP 28 | CR-28 | | |
| 23 | + | 900701-00012 | 1 | CIRCLIP 12 | CS-12 | | |
| 30 | | X405-000001 | 1 | SAW, BUSH CUTTER | 3*255*25.4*T2.0 | | |

10. Gear Case, Blade



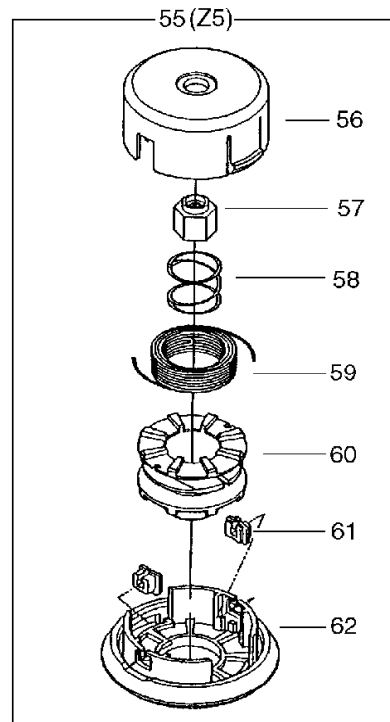
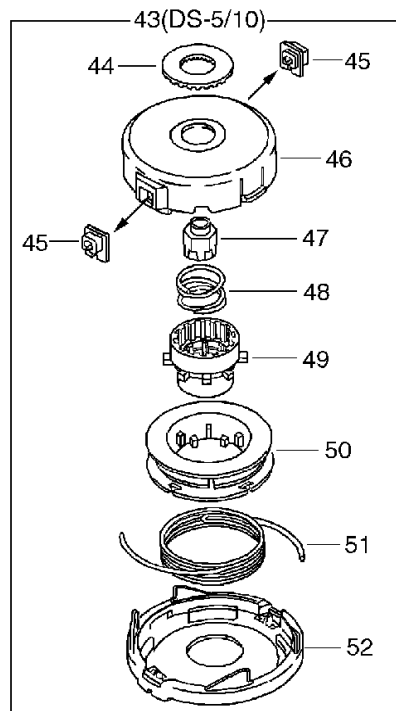
| KEY | LV | PART NUMBER | Q'TY | DESCRIPTION | REMARKS | NOTE1 | NOTE2 |
|-----|----|--------------|------|----------------------|------------------|--------|-------|
| 32 | | P021-007470 | 1 | SCABBARD, BLADE | | | |
| 33 | | 696001-55631 | 1 | BLADE, 8-CUTTER 10IN | 255*8T*1.4 PD25 | OPTION | |
| 34 | | 695001-55631 | 1 | SAW, CIRCULAR 10*80T | 255*80T*1.4 PD25 | OPTION | |
| 35 | | 699200-56830 | 1 | CAP ASSY, FREE | | OPTION | |
| 36 | + | 610313-56830 | 1 | PLATE, ADAPTER (U) | | OPTION | |
| 37 | + | 699226-05430 | 1 | HOLDER, BEARING | | OPTION | |
| 38 | + | 900814-06202 | 1 | BEARING, BALL 6202 | 6202ZZ | OPTION | |
| 39 | + | 699227-04630 | 1 | NUT | | OPTION | |
| 40 | + | 699228-08930 | 1 | PLATE, COVER | | OPTION | |
| 41 | + | 900141-05012 | 4 | BOLT 5*12 | 5*12 | OPTION | |

11. Carburetor



| KEY | LV | PART NUMBER | Q'TY | DESCRIPTION | REMARKS | NOTE1 | NOTE2 |
|-----|----|--------------|------|----------------------|----------|-------|-------|
| | | A021-000421 | 1 | CARBURETOR,DIAPHRAGM | WYJ-312A | | |
| 3 | + | 123114-40630 | 2 | SCREW | | | |
| 4 | + | P003-000180 | 1 | BRACKET CABLE | | | |
| 5 | + | 123172-45130 | 1 | SWIVEL | | | |
| 6 | + | 123149-54230 | 1 | WASHER | | | |
| 7 | + | 123173-07930 | 1 | CLIP | | | |
| 8 | + | 123143-12110 | 1 | RING, PACKING | | | |
| 9 | + | 123183-40630 | 1 | O-RING | | | |
| 10 | + | P003-000740 | 1 | JET | | | |
| 11 | + | P003-000100 | 1 | GASKET, PUMP | | | |
| 12 | + | 123112-40630 | 1 | DIAPHRAGM, PUMP | | | |
| 13 | + | P003-000720 | 1 | BODY ASSEMBLY, PUMP | | | |
| 14 | ++ | 123126-10631 | 1 | SCREEN, INLET | | | |
| 15 | ++ | 123137-19830 | 1 | VALVE, INLET NEEDLE | | | |
| 16 | ++ | 123122-05560 | 1 | SPRING, METER. LEVER | | | |
| 17 | ++ | 123138-03930 | 1 | PIN, METERING LEVER | | | |
| 18 | ++ | 123123-03930 | 1 | LEVER, METERING | | | |
| 19 | ++ | 123139-05560 | 1 | SCREW, M. LEVER PIN | | | |
| 20 | + | 123140-27230 | 1 | GASKET, M. DIAPHRAGM | | | |
| 21 | + | P003-000090 | 1 | METERING, DIAPHRAGM | | | |
| 24 | + | 123142-03930 | 1 | COVER, M. DIAPHRAGM | | | |
| 25 | + | 123144-44330 | 4 | SCREW | | | |

12. Nylon Line Cutting Head



| KEY | LV | PART NUMBER | Q'TY | DESCRIPTION | REMARKS | NOTE1 | NOTE2 |
|-----|----|-------------|------|--------------------|-----------|---------------------|-------|
| 43 | | X047-000220 | 1 | CUTTER,ASM LINE | DS-5 M10L | Sus. by X047-000330 | |
| 44 | + | V332-000000 | 1 | WASHER,CIRCULAR 24 | | | |
| 45 | + | P022-000710 | 2 | EYELET | T4 | | |
| 46 | + | P022-005040 | 1 | HOUSING | | | |
| 47 | + | P022-001160 | 1 | NUT | | | |
| 48 | + | P022-001200 | 1 | SPRING | DS-5/10 | | |
| 49 | + | P022-001310 | 1 | TAP KNOB | DS-5/10 | | |
| 50 | + | P022-001180 | 1 | BOBBIN | DS-5/10 | | |
| 51 | + | P022-006200 | 1 | NYLON CODE | 3.0*3M | | |
| 52 | + | P022-005030 | 1 | COVER | | | |
| 55 | | X047-000330 | 1 | CUTTER,ASM LINE | Z-5 M10 L | | |
| 56 | + | P022-010420 | 1 | HOUSING | | | |
| 57 | + | P022-010390 | 1 | NUT | | | |
| 58 | + | P022-010370 | 1 | SPRING | | | |
| 59 | + | P022-010380 | 1 | NYLON CODE | | | |
| 60 | + | P022-010400 | 1 | BOBBIN | | | |
| 61 | + | P022-000710 | 2 | EYELET | T4 | | |
| 62 | + | P022-010410 | 1 | COVER | | | |

Index

| Patrs Number | Key No. | Patrs Number | Key No. | Patrs Number | Key No. |
|---------------------|----------------|---------------------|----------------|---------------------|----------------|
| 100012-16131 | 1 - 23 | 177234-40630 | 2 - 27 | 898510-39130 | 6 - 6 |
| 100013-27430 | 1 - 21 | 177236-61830 | 2 - 30 | 900105-05012 | 7 - 17 |
| 100014-53630 | 1 - 24 | 177246-11120 | 2 - 33 | 900105-05018 | 9 - 13 |
| 100015-03931 | 1 - 22 | 178013-52630 | 9 - 26 | 900105-05060 | 3 - 15 |
| 100100-55430 | 1 - 26 | 178081-55931 | 3 - 2 | 900105-05060 | 3 - 30 |
| 100142-12330 | 2 - 24 | 178090-52631 | 9 - 25 | 900106-05012 | 1 - 10 |
| 100204-55430 | 1 - 30 | 178090-52632 | 9 - 25 | 900106-05012 | 3 - 23 |
| 100213-05530 | 1 - 31 | 178121-43230 | 1 - 36 | 900106-05012 | 3 - 32 |
| 100215-03930 | 1 - 32 | 224924-52930 | 7 - 14 | 900106-05016 | 2 - 41 |
| 100242-55430 | 1 - 34 | 301000-55230 | 9 - 50 | 900106-05016 | 4 - 23 |
| 101010-55430 | 1 - 18 | 301000-55231 | 9 - 50 | 900141-05012 | 10 - 41 |
| 123112-40630 | 11 - 12 | 301015-05330 | 7 - 16 | 900162-05012 | 1 - 51 |
| 123114-40630 | 11 - 3 | 301200-052300 | 7 - 15 | 900162-05012 | 3 - 28 |
| 123122-05560 | 11 - 16 | 301205-04630 | 7 - 18 | 900162-05020 | 1 - 2 |
| 123123-03930 | 11 - 18 | 301207-07530 | 9 - 12 | 900162-05020 | 1 - 46 |
| 123126-10631 | 11 - 14 | 301305-24330 | 9 - 51 | 900162-05020 | 2 - 12 |
| 123137-19830 | 11 - 15 | 302013-10910 | 1 - 38 | 900162-05025 | 3 - 5 |
| 123138-03930 | 11 - 17 | 351201-55630 | 9 - 35 | 900162-05025 | 5 - 23 |
| 123139-05560 | 11 - 19 | 437412-16430 | 2 - 9 | 900162-05025 | 9 - 41 |
| 123140-27230 | 11 - 20 | 605014-54230 | 7 - 23 | 900162-05028 | 1 - 50 |
| 123142-03930 | 11 - 24 | 610011-49930 | 7 - 29 | 900162-05030 | 1 - 35 |
| 123143-12110 | 11 - 8 | 610011-49930 | 9 - 10 | 900162-05030 | 7 - 21 |
| 123144-44330 | 11 - 25 | 610281-42230 | 9 - 5 | 900162-06030 | 10 - 19 |
| 123149-54230 | 11 - 6 | 610300-56930 | 10 - 13 | 900220-05030 | 7 - 3 |
| 123172-45130 | 11 - 5 | 610310-56930 | 10 - 12 | 900238-05010 | 2 - 21 |
| 123173-07930 | 11 - 7 | 610313-56830 | 10 - 36 | 900242-05010 | 10 - 18 |
| 123181-39130 | 4 - 13 | 610314-52130 | 10 - 4 | 900242-05018 | 5 - 17 |
| 123183-40630 | 11 - 9 | 610320-52130 | 10 - 2 | 900242-05018 | 6 - 17 |
| 131016-55830 | 4 - 20 | 610352-56830 | 10 - 7 | 900242-05025 | 9 - 19 |
| 131205-14930 | 4 - 10 | 610400-56932 | 10 - 1 | 900242-05035 | 9 - 18 |
| 131300-56430 | 4 - 5 | 610434-50031 | 10 - 17 | 900242-05035 | 9 - 36 |
| 131920-55430 | 4 - 17 | 610444-56830 | 10 - 10 | 900252-05012 | 5 - 13 |
| 132010-22130 | 4 - 11 | 610473-52131 | 10 - 15 | 900252-05012 | 6 - 13 |
| 132010-53630 | 4 - 12 | 695001-55631 | 10 - 34 | 900253-04016 | 7 - 2 |
| 132013-26630 | 4 - 6 | 696001-55631 | 10 - 33 | 900253-04025 | 9 - 6 |
| 132115-55930 | 4 - 8 | 699013-56830 | 5 - 22 | 900500-00005 | 7 - 4 |
| 145610-55230 | 3 - 27 | 699013-56830 | 6 - 22 | 900500-00005 | 9 - 20 |
| 152626-55730 | 2 - 11 | 699200-56830 | 10 - 35 | 900500-00005 | 9 - 37 |
| 152801-55430 | 2 - 20 | 699226-05430 | 10 - 37 | 900502-00006 | 3 - 11 |
| 159010-10230 | 2 - 3 | 699227-04630 | 10 - 39 | 900502-00008 | 2 - 17 |
| 159112-09960 | 7 - 13 | 699228-08930 | 10 - 40 | 900565-00005 | 5 - 16 |
| 159112-09961 | 7 - 13 | 699229-56830 | 10 - 3 | 900565-00005 | 6 - 16 |
| 175005-49930 | 1 - 40 | 890617-43130 | 7 - 27 | 900565-50008 | 7 - 20 |
| 175018-49931 | 2 - 14 | 890617-43130 | 9 - 1 | 900600-00005 | 3 - 29 |
| 175018-49932 | 2 - 14 | 895610-00130 | 5 - 1 | 900600-00008 | 2 - 19 |
| 175046-46430 | 2 - 13 | 895610-00130 | 6 - 1 | 900603-50008 | 10 - 16 |
| 175048-05530 | 2 - 16 | 897518-01131 | 5 - 4 | 900605-00008 | 2 - 18 |
| 177220-40630 | 2 - 37 | 897518-01131 | 6 - 4 | 900701-00012 | 10 - 23 |
| 177228-27030 | 2 - 34 | 898510-39130 | 5 - 6 | 900701-00012 | 1 - 44 |

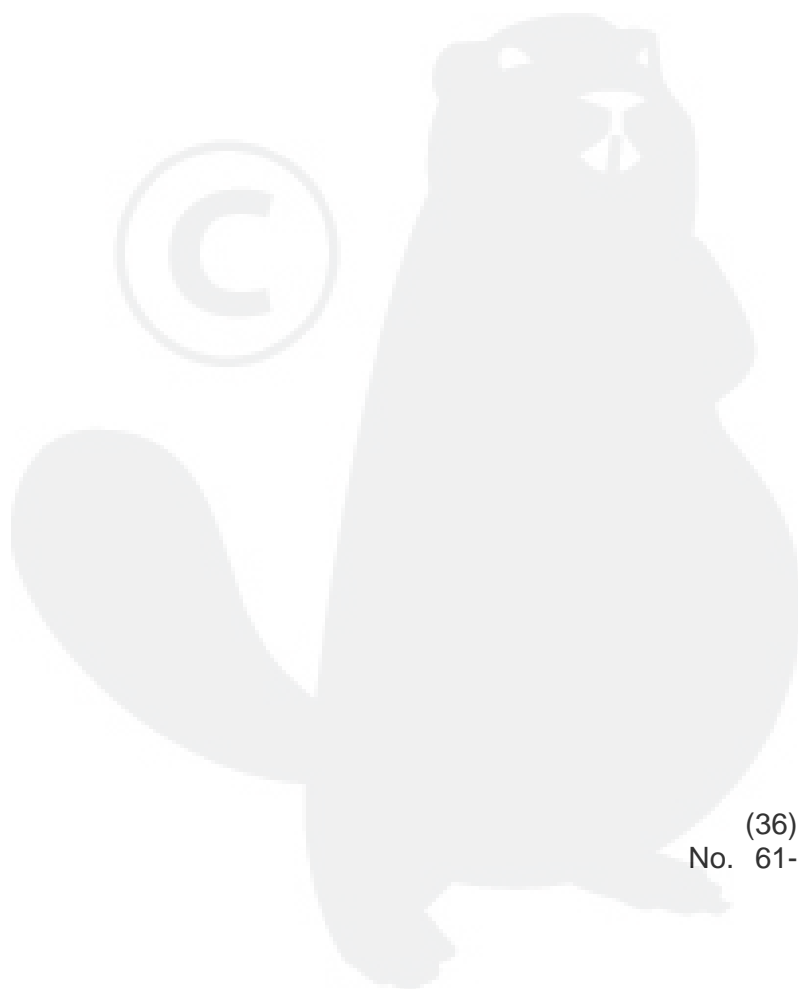
Index

| Patrs Number | Key No. | Patrs Number | Key No. | Patrs Number | Key No. |
|---------------------|----------------|---------------------|----------------|---------------------|----------------|
| 900702-00028 | 10 - 22 | C450-000110 | 9 - 21 | P022-008540 | 2 - 38 |
| 900702-00028 | 1 - 41 | C460-000011 | 7 - 5 | P022-010370 | 12 - 58 |
| 900702-00032 | 10 - 9 | C461-000000 | 9 - 24 | P022-010380 | 12 - 59 |
| 900702-00045 | 1 - 49 | C461-000010 | 9 - 32 | P022-010390 | 12 - 57 |
| 900720-00012 | 10 - 5 | C463-000000 | 7 - 10 | P022-010400 | 12 - 60 |
| 900800-06001 | 10 - 20 | C535-000001 | 10 - 6 | P022-010410 | 12 - 62 |
| 900803-06001 | 10 - 21 | C535-000011 | 10 - 8 | P022-010420 | 12 - 56 |
| 900807-06001 | 1 - 42 | C550-000080 | 5 - 11 | V103-000150 | 3 - 3 |
| 900810-00629 | 10 - 14 | C550-000080 | 6 - 11 | V103-000160 | 3 - 7 |
| 900812-06201 | 10 - 11 | C550-000090 | 5 - 21 | V104-000330 | 3 - 22 |
| 900814-06202 | 10 - 38 | C550-000090 | 6 - 21 | V299-000110 | 7 - 24 |
| 91118-05025 | 6 - 23 | C550-000100 | 5 - 15 | V306-000121 | 1 - 25 |
| 94035-36201 | 1 - 33 | C550-000100 | 6 - 15 | V332-000000 | 12 - 44 |
| A021-000421 | 11 - | C554-000000 | 5 - 12 | V353-000090 | 9 - 14 |
| A021-000421 | 3 - 8 | C554-000030 | 6 - 12 | V420-000420 | 1 - 48 |
| A051-000760 | 2 - 29 | C624-000020 | 9 - 52 | V420-000640 | 3 - 21 |
| A052-000190 | 2 - 25 | J485-000030 | 3 - 19 | V420-001060 | 9 - 42 |
| A101-000080 | 1 - 20 | P003-000090 | 11 - 21 | V420-001061 | 9 - 42 |
| A130-000630 | 1 - 3 | P003-000100 | 11 - 11 | V430-000540 | 3 - 12 |
| A160-000390 | 1 - 9 | P003-000180 | 11 - 4 | V430-000561 | 7 - 11 |
| A160-000391 | 1 - 9 | P003-000720 | 11 - 13 | V430-000930 | 9 - 8 |
| A172-000260 | 1 - 45 | P003-000740 | 11 - 10 | V452-000060 | 7 - 8 |
| A172-000540 | 1 - 45 | P021-002612 | 7 - 1 | V452-000120 | 9 - 31 |
| A175-000010 | 4 - 22 | P021-002620 | 5 - 10 | V452-000130 | 7 - 6 |
| A175-000011 | 4 - 22 | P021-002761 | 7 - 19 | V452-000200 | 9 - 22 |
| A200-000090 | 3 - 6 | P021-002861 | 6 - 5 | V471-000640 | 4 - 14 |
| A200-000100 | 3 - 9 | P021-004280 | 3 - 10 | V471-001180 | 4 - 7 |
| A226-000140 | 3 - 16 | P021-004290 | 4 - 19 | V475-002210 | 3 - 13 |
| A232-000151 | 3 - 18 | P021-006802 | 1 - 19 | V475-002210 | 9 - 9 |
| A235-000100 | 3 - 20 | P021-007470 | 10 - 32 | V475-002220 | 7 - 12 |
| A244-000010 | 3 - 14 | P021-007990 | 9 - 17 | V475-002240 | 4 - 9 |
| A320-000130 | 3 - 31 | P021-008000 | 9 - 40 | V485-000230 | 2 - 22 |
| A350-000200 | 4 - 18 | P021-008870 | 3 - 27 | V485-000240 | 2 - 23 |
| A365-000020 | 4 - 21 | P021-013770 | 6 - 10 | V491-000130 | 1 - 39 |
| A393-000060 | 4 - 16 | P022-000710 | 12 - 45 | V491-000160 | 1 - 39 |
| A426-000000 | 2 - 2 | P022-000710 | 12 - 61 | V495-000760 | 1 - 37 |
| A427-000000 | 2 - 1 | P022-001160 | 12 - 47 | X047-000220 | 12 - 43 |
| A440-000400 | 7 - 9 | P022-001180 | 12 - 50 | X047-000330 | 12 - 55 |
| A440-000530 | 9 - 23 | P022-001200 | 12 - 48 | X405-000001 | 10 - 30 |
| A553-000000 | 2 - 15 | P022-001310 | 12 - 49 | X502-000070 | 2 - 42 |
| C050-000410 | 7 - 28 | P022-002100 | 2 - 26 | X502-000170 | 2 - 42 |
| C050-000410 | 9 - 30 | P022-005030 | 12 - 52 | X503-005890 | 1 - 1 |
| C062-000170 | 7 - 30 | P022-005040 | 12 - 46 | X547-000130 | 1 - 1 |
| C062-000180 | 7 - 30 | P022-006200 | 12 - 51 | X602-000020 | 5 - 3 |
| C062-000181 | 7 - 30 | P022-006850 | 2 - 28 | X602-000020 | 6 - 3 |
| C400-000211 | 7 - 25 | P022-008440 | 2 - 35 | X690-000030 | 5 - 5 |
| C403-000031 | 7 - 26 | P022-008450 | 2 - 32 | | |
| C423-000041 | 7 - 22 | P022-008460 | 2 - 31 | | |
| C450-000022 | 7 - 7 | P022-008470 | 2 - 36 | | |

YAMABIKO CORPORATION

7-2 SUEHIROCHO 1-CHOME, OHME, TOKYO 198-8760, JAPAN
PHONE: 81-428-32-6118. FAX: 81-428-32-6145.

ECHO®



(36)
No. 61-021