



**PARTS CATALOGUE
CATALOGUE DE PIECE
ERSATZEIL-KATALOG
CATALOGO PARTI**

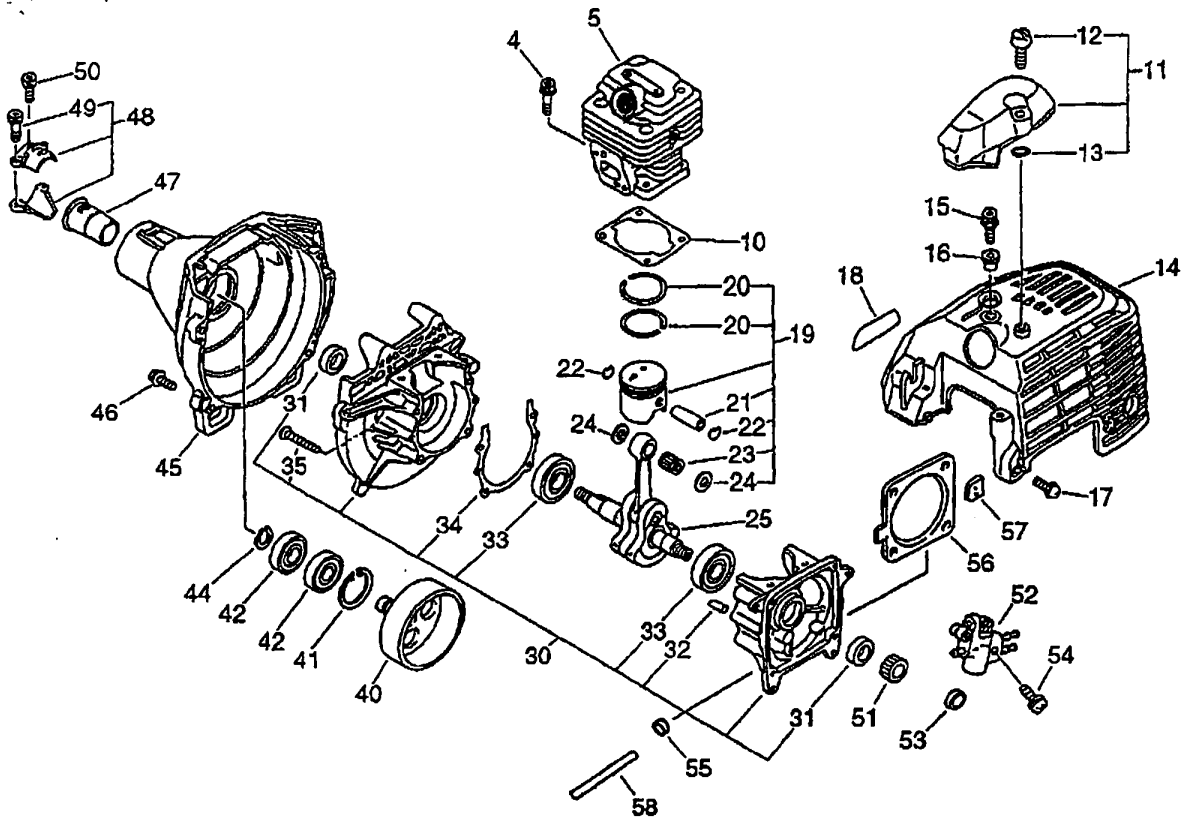
**ECHO
SRM-315SL
SRM-360SL**

0800 512 2007



SRM-315SL
SRM-360SL

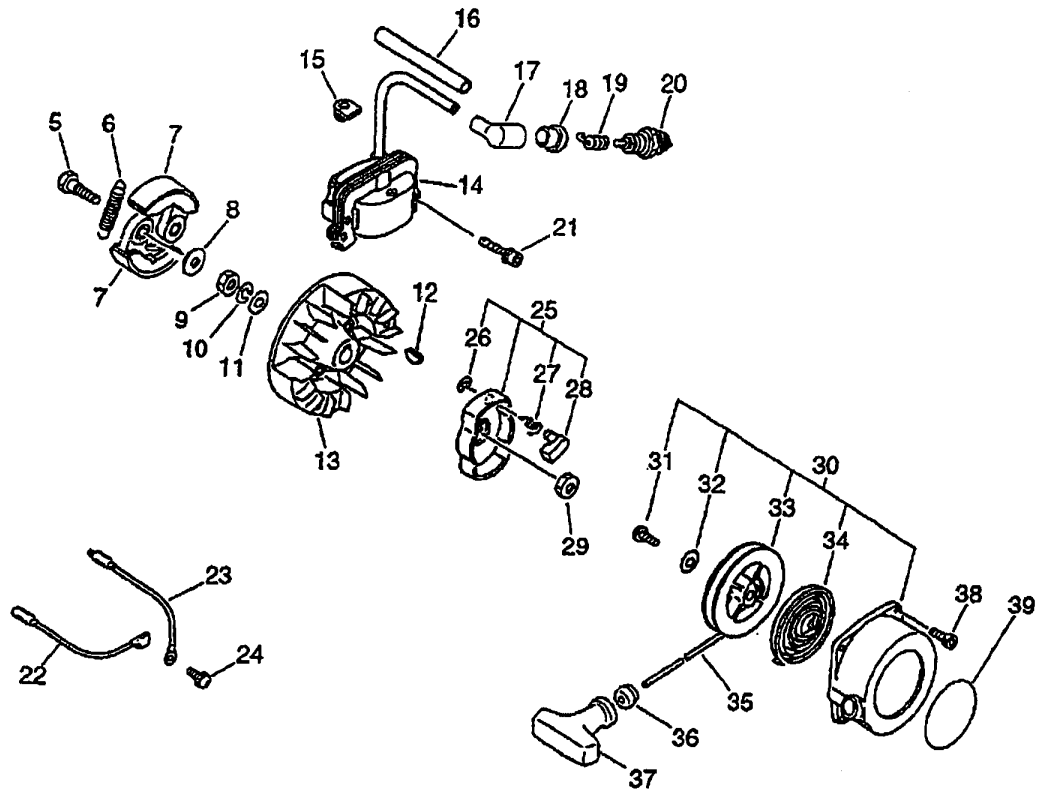
1 (Cylinder, Crankcase, Piston)



Key	Lv	Part Number	Q'ty	Key	Lv	Part Number	Q'ty
Clé		Nr. de Pièce	Q'té	Clé		Nr. de Pièce	Q'té
Tafel		Teil	Anz	Tafel		Teil	Anz
N°rif		N° ricambio	Q.tá	N°rif		N° ricambio	Q.tá
4		900162-05020	4	45		101511-55430	1
10		101010-55430	1	46		900162-05020	4
11		159902-55230	1	47		610910-55630	1
12	+	352325-55230	1	48		610903-55430	1
13	+	900720-00004	1	49	+	900162-05025	2
14		101514-55630	1	50		900162-05012	1
15		900162-05020	1	51		437063-50430	1
16		101531-55230	1	52		437002-49930	1
17		900162-05012	2	53		100127-50430	1
21	+	100013-27430	1	54		900240-04016	2
22	+	100015-03930	2	55		178810-03930	1
23	+	100012-16131	1	56		101586-56930	1
24	+	100014-53630	2	57		437243-56930	1
25		100100-56930	1	58		132717-34330	1
30		100204-56930	1				
31	+	100213-05530	2				
32	+	100215-03930	4				
33	+	900810-36201	2				
34	+	100242-55430	1				
35	+	900162-05030	4				
40		175005-49930	1				
41		900702-00028	1				
42		900807-06001	2				
44		900701-00012	1				

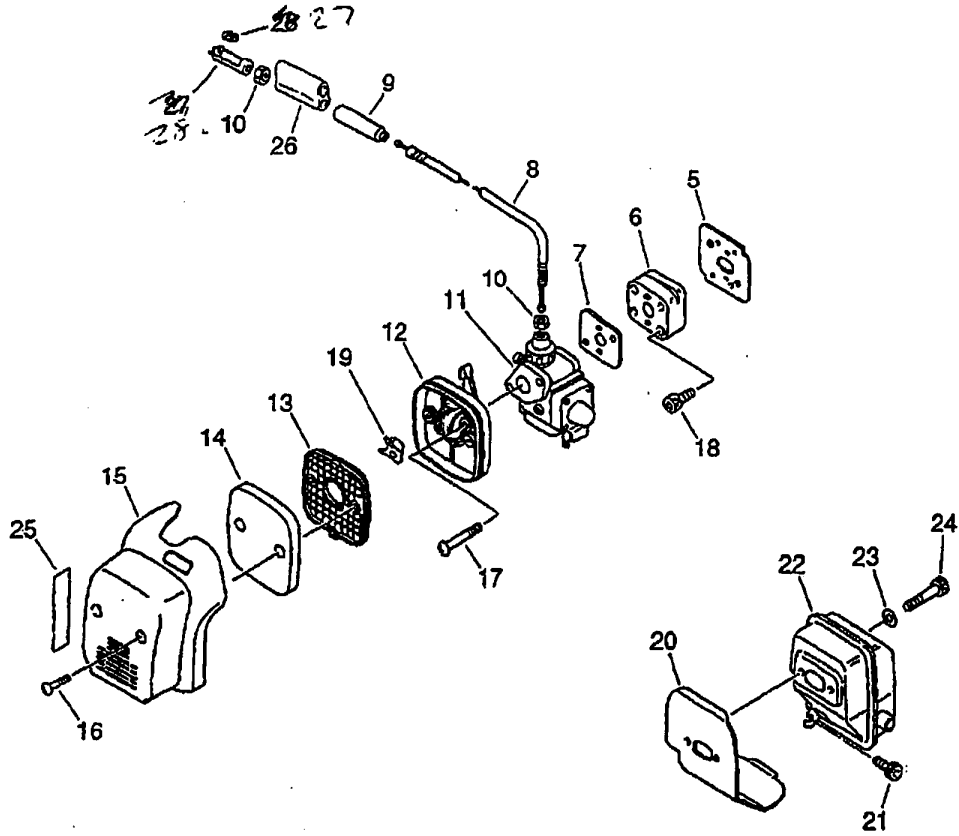
SRM-315SL				SRM-360SL			
Key	Lv	Part Number	Q'ty	Key	Lv	Part Number	Q'ty
Clé		Nr. de Pièce	Q'té	Clé		Nr. de Pièce	Q'té
Tafel		Teil	Anz	Tafel		Teil	Anz
N°rif		N° ricambio	Q.tá	N°rif		N° ricambio	Q.tá
5		101034-55630	1	5		101034-55830	1
18		890115-62530	1	18		890112-64730	1
19		100000-55430	1	19		100000-55830	1
20	+	100011-16131	2	20	+	100011-42230	2

SRM-315SL 2 (Starter, Magneto)
SRM-360SL



Key	Lv	Part Number	Q'ty	Key	Lv	Part Number	Q'ty
Clé		Nr. de Pièce	Q'té	Clé		Nr. de Pièce	Q'té
Tafel		Teil	Anz	Tafel		Teil	Anz
N°rif		N° ricambio	Q.tá	N°rif		N° ricambio	Q.tá
5		175046-46430	2	29		900502-00008	1
6		175018-49931	1	30		177200-55631	1
7		175009-49930	2	31	+	177236-40630	1
8		175048-05530	2	32	+	177214-41030	1
9		900502-00008	1	33	+	177215-43130	1
10		900605-00008	1	34	+	177220-40630	1
11		900600-00008	1	35	+	177226-01110	1
12		100142-12330	1	36	+	177227-42030	1
13		152801-55430	1	37	+	177228-27030	1
14		152626-55430	1	38		900162-04030	4
15		150112-44330	1	39		890118-49330	1
16		150611-14530	1				
17		159012-01620	1				
18		159015-55230	1				
19		159011-03432	1				
20		159010-10230	1				
21		900162-05020	2				
22		162010-50330	1				
23		162014-50330	1				
24		900238-05010	1				
25		177202-41030	1				
26	+	900700-00004	1				
27	+	177234-40630	1				
28	+	177218-40630	1				

SRM-315SL (All cleaner, mumer)
SRM-360SL



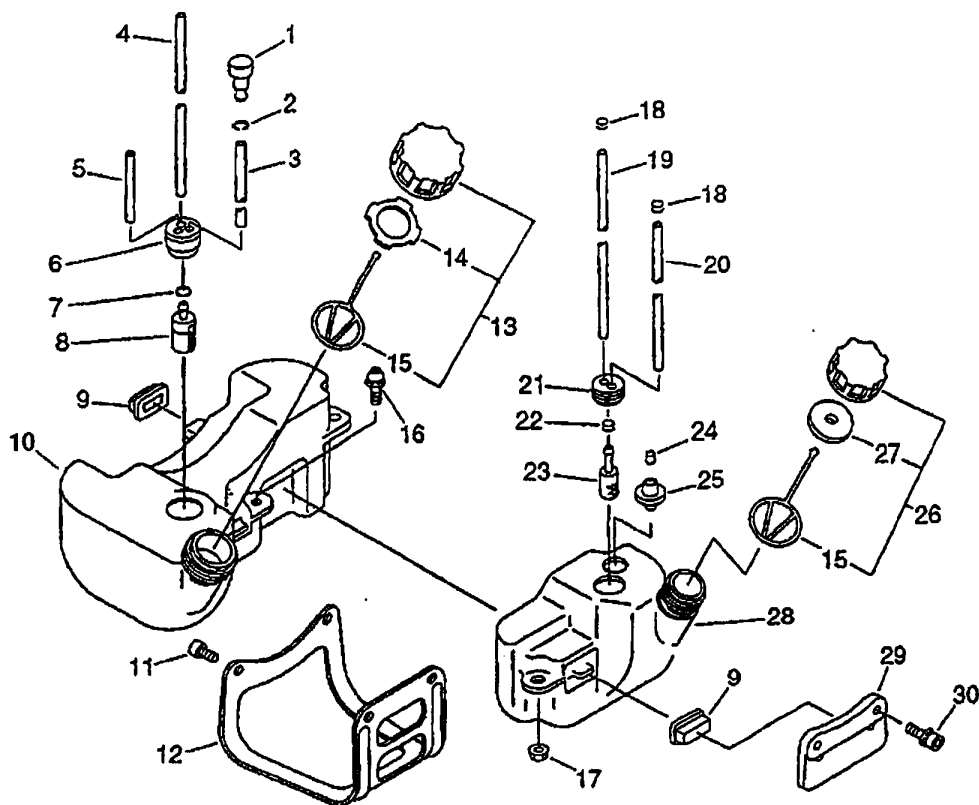
Key	Lv	Part Number	Q'ty	Key	Lv	Part Number	Q'ty
Clé		Nr. de Pièce	Q'té	Clé		Nr. de Pièce	Q'té
Tafel		Teil	Anz	Tafel		Teil	Anz
N°rif		N° ricambio	Q.tà	N°rif		N° ricambio	Q.tà
5		130016-55430	1				
6		130007-56930	1				
7		130010-52830	1				
8		178001-50330	1				
9		178127-50330	1				
10		178021-05530	2				
12		130307-53930	1				
13		130311-52830	1				
14		130310-52830	1				
15		130308-52831	1				
16		900242-04020	2				
17		900242-05050	2				
18		900162-05025	2				
19		178523-55130	1				
20		145510-55430	1				
21		900162-05012	1				
22		145610-55230	1				
23		900600-00005	2				
24		900105-05060	2				
25		890012-62530	1				
26		178128-22130	1				
27		178049-06630	1				
28		178114-05630	1				

Key	Lv	Part Number	Q'ty
Clé		Nr. de Pièce	Q'té
Tafel		Teil	Anz
N°rif		N° ricambio	Q.tà
11		124200-57331	1

Key	Lv	Part Number	Q'ty
Clé		Nr. de Pièce	Q'té
Tafel		Teil	Anz
N°rif		N° ricambio	Q.tà
11		124200-64730	1

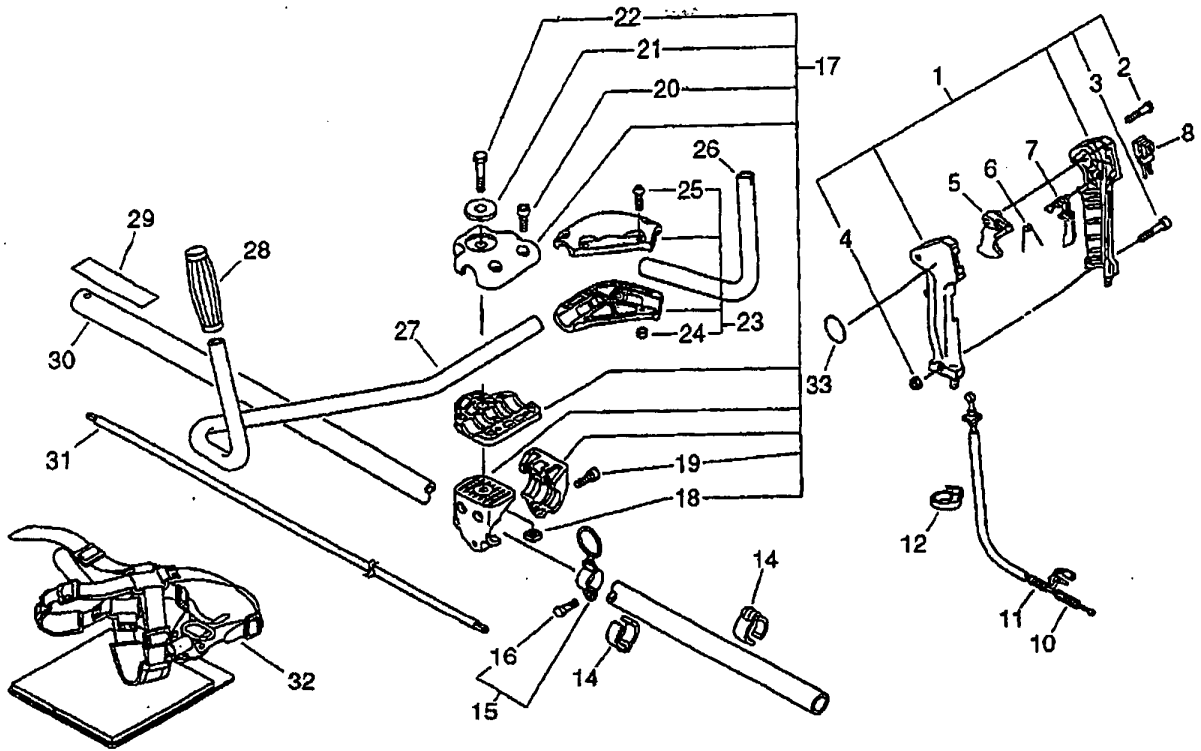
SRM-315SL
SRM-360SL

4 (FUEL TANK, OIL TANK)



Key	Lv	Part Number	Qty	Key	Lv	Part Number	Qty
Clé		Nr. de Pièce	Qté	Clé		Nr. de Pièce	Qté
Tafel		Teil	Anz	Tafel		Teil	Anz
N°rif		N° ricambio	Q.tà	N°rif		N° ricambio	Q.tà
1		131300-56430	1	25		131314-06320	1
2		130111-00530	1	26		436001-56530	1
3		437210-11131	1	15	+	131051-52430	1
4		132010-52030	1	27	+	436012-37830	1
5		437215-20760	1	28		436010-56930	1
6		132115-55930	1	29		131910-55430	1
7		132013-26630	1	30		900162-05020	2
8		131205-14930	1				
9		131920-55430	4				
10		131005-56930	1				
11		900162-05012	2				
12		305110-55630	1				
13		131004-54930	1				
14	+	131016-55830	1				
15	+	131051-52430	1				
16		900239-05018	2				
17		900518-00005	2				
18		437221-54930	4				
19		132717-36030	1				
20		132717-34630	1				
21		132115-50430	1				
22		132013-50430	1				
23		436205-50430	1				
24		131315-05020	1				

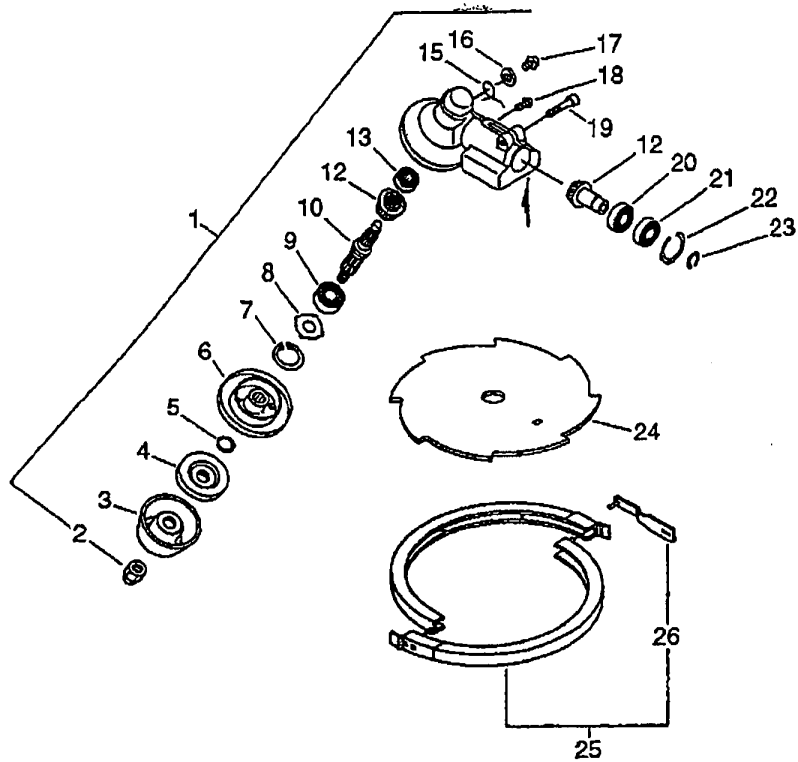
SRM-315SL 5 (U-Handle)
SRM-360SL



Key	Lv	Part Number	Q'ty	Key	Lv	Part Number	Q'ty
Clé		Nr. de Pièce	Q'té	Clé		Nr. de Pièce	Q'té
Tafel		Teil	Anz	Tafel		Teil	Anz
N°rif		N° ricambio	Q.tà	N°rif		N° ricambio	Q.tà
1		351102-47530	1	26		351214-52931	1
2	+	900246-03025	4	27		351010-52931	1
3	+	900220-05030	1	28		351311-22430	1
4	+	900500-00005	1	29		890617-46830	1
5		178010-05960	1	30		610206-56930	1
6		178013-35631	1	31		610011-06230	1
7		178012-05960	1	32		301001-56831	1
8		163400-50330	1	33		890157-39130	1
10		178001-27230	1				
11		162110-27230	1				
12		159112-09960	1				
14		224924-52930	1				
15		301200-05230	1				
16	+	900105-05012	1				
17		351301-52930	1				
18	+	900565-50008	1				
19	+	900162-05030	3				
20	+	900162-05020	2				
21	+	605014-54230	1				
22	+	351421-52130	1				
23		351202-51430	1				
24	+	900500-00005	4				
25	+	900162-05020	4				

SRM-315SL
SRM-360SL

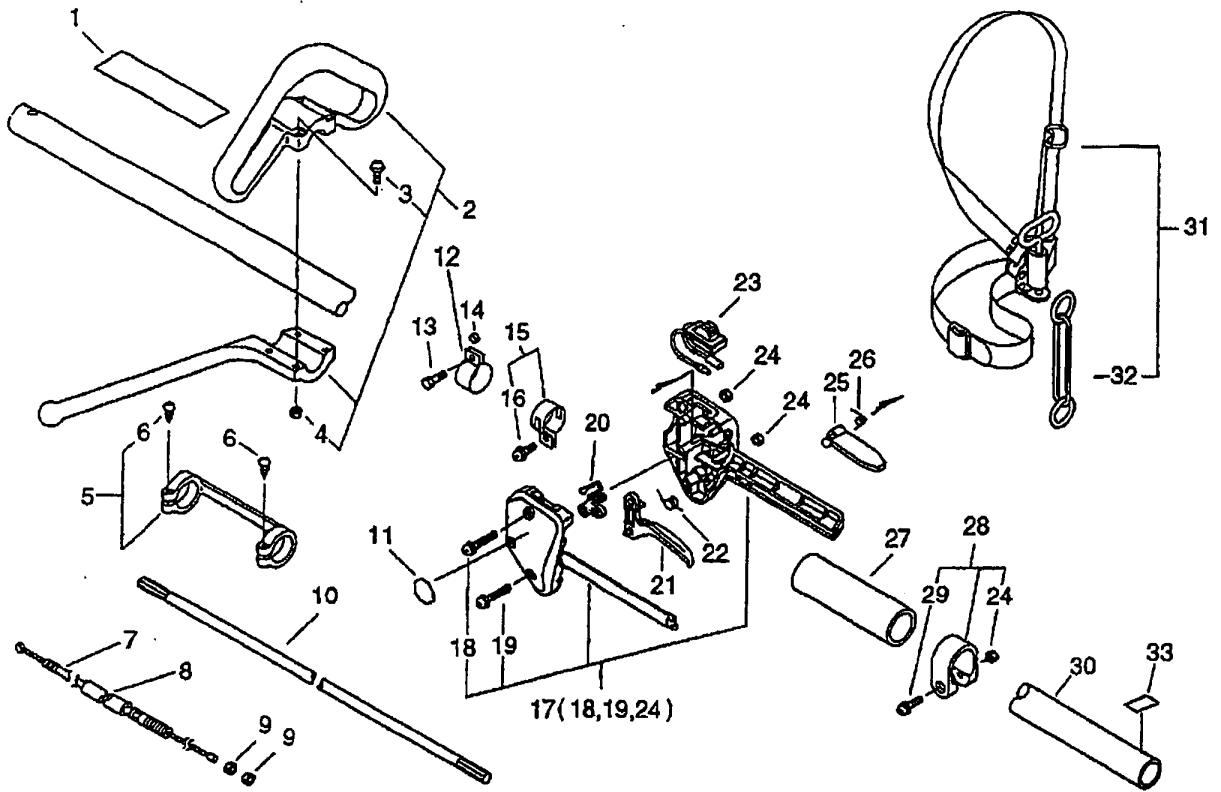
6 (Gear Case, Blade 8-Cutter) U-Handle type



Key	Lv	Part Number	Q'ty	Key	Lv	Part Number	Q'ty
Clé		Nr. de Pièce	Q'té	Clé		Nr. de Pièce	Q'té
Tafel		Teil	Anz	Tafel		Teil	Anz
N°rif		N° ricambio	Q.tá	N°rif		N° ricambio	Q.tá
1		610400-56930	1				
2	+	610320-52130	1				
3	+	699229-56830	1				
4	+	610314-52130	1				
5	+	900720-00012	1				
6	+	610313-52930	1				
7	+	900702-00032	1				
8	+	610444-56830	1				
9	+	900812-06201	1				
10	+	610310-56930	1				
12	+	610300-56930	1				
13	+	900810-00629	1				
15	+	610473-52130	1				
16	+	900603-50008	1				
17	+	610434-50030	1				
18	+	900242-05010	1				
19	+	900162-06030	1				
20	+	900800-06001	1				
21	+	900807-06001	1				
22	+	900702-00028	1				
23	+	900701-00012	1				
24		696001-55630	1				
25		898503-50030	1				
26	+	898562-43230	1				

02103031

SRM-315SL 7 (Loop Handle)
SRM-360SL

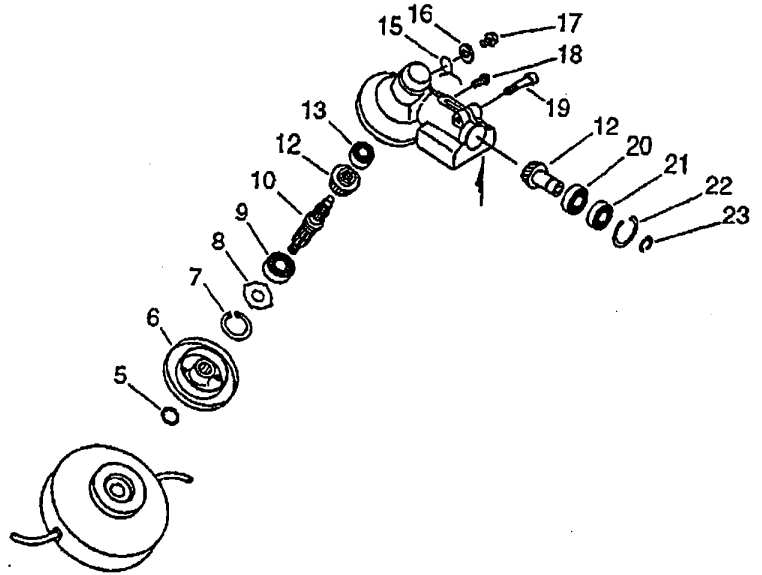
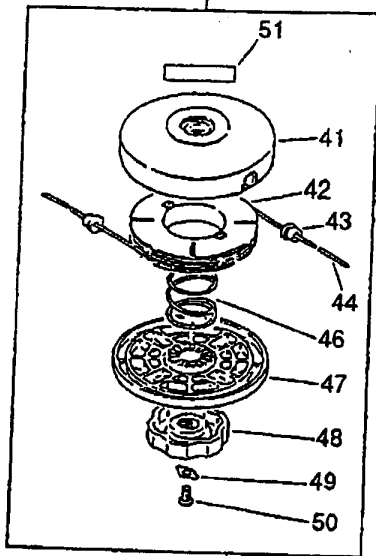


Key	Lv	Part Number	Q'ty	Key	Lv	Part Number	Q'ty
Clé		Nr. de Pièce	Q'té	Clé		Nr. de Pièce	Q'té
Tafel		Teil	Anz	Tafel		Teil	Anz
N°rif		N° ricambio	Q.tà	N°rif		N° ricambio	Q.tà
1		890177-46730	1	25		178090-52630	1
2		351201-55630	2	26		178013-52630	1
3	+	900242-05035	4	27		351213-51830	1
4	+	900500-00005	4	28		610272-51830	1
5		610281-42230	1	24	+	900500-00005	1
6	+	900253-04025	2	29	+	900242-05028	1
7		178002-64730	1	30		610206-56930	1
8		178127-55931	1	31		301000-55230	1
9		900502-00006	2	32	+	301305-24330	1
10		610011-06230	1	33		890152-04930	1
11		890157-39130	1				
12		301207-07530	1				
13		900100-05018	1				
14		699012-03330	1				
15		301200-42230	1				
16	+	900242-05014	1				
17		178003-51830	1				
18	+	900242-05035	1				
19	+	900242-05025	1				
24	+	900500-00005	2				
20		178012-52630	1				
21		178010-52130	1				
22		178043-42230	1				
23		163400-49930	1				

SAM-315SL
SAM-360SL

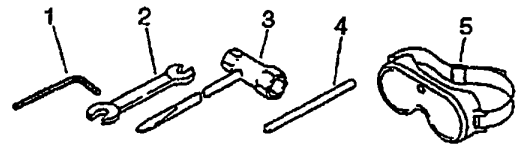
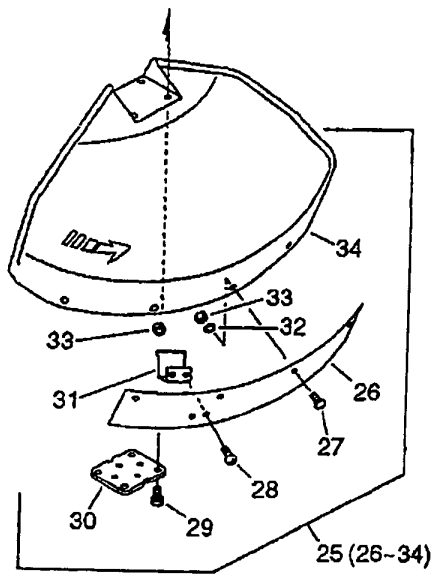
(Nylon Line Head SRAH-205) Loop Handle Type

SRAH-205



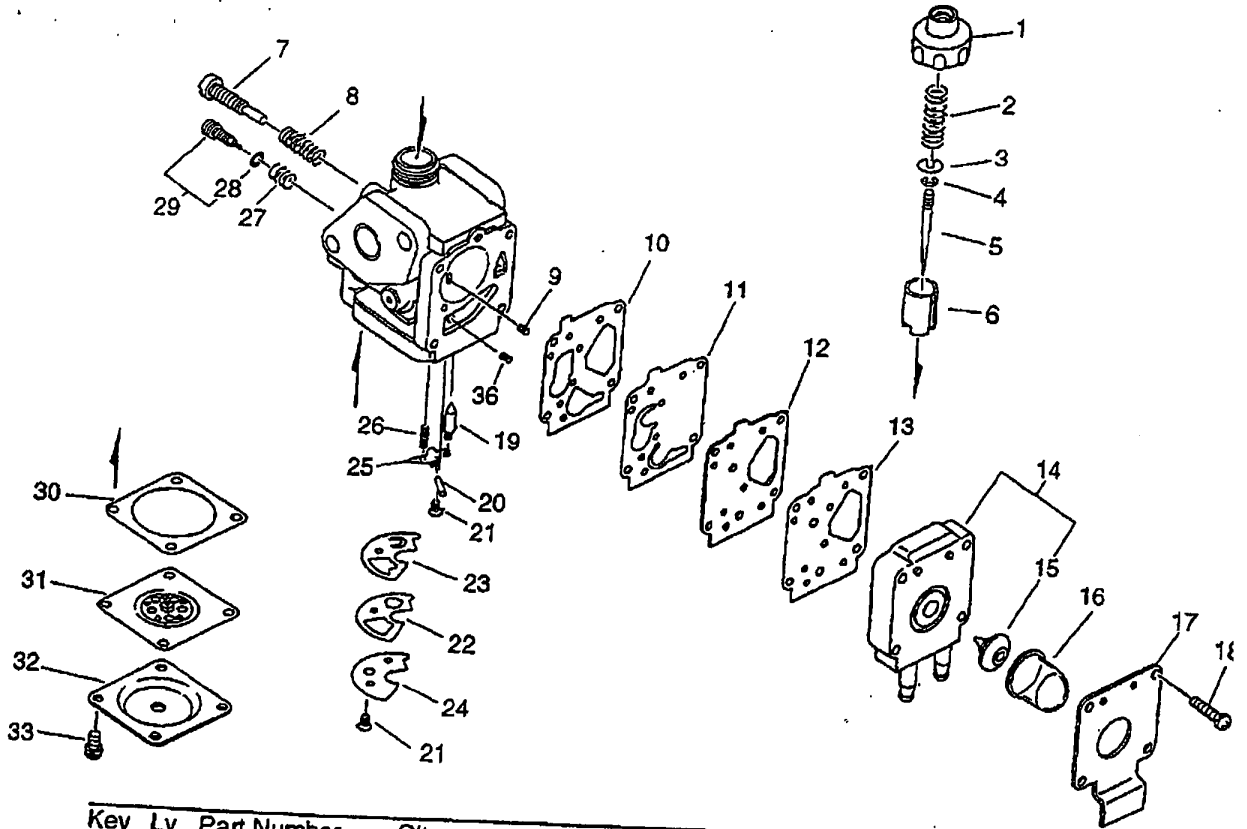
Key	Lv	Part Number	Q'ty	Key	Lv	Part Number	Q'ty
Clé		Nr. de Pièce	Q'té	Clé		Nr. de Pièce	Q'té
Tafel		Teil	Anz	Tafel		Teil	Anz
N°rif		N° ricambio	Q.tà	N°rif		N° ricambio	Q.tà
5		900720-00012	1				
6		610313-52930	1				
7		900702-00032	1				
8		610444-56830	1				
9		900812-06201	1				
10		610310-56930	1				
12		610300-56930	1				
13		900810-00629	1				
15		610473-52130	1				
16		900603-50008	1				
17		610434-50030	1				
18		900242-05010	1				
19		900162-06030	1				
20		900800-06001	1				
21		900807-06001	1				
22		900702-00028	1				
23		900701-00012	1				
41		696210-56930	1				
42		696214-06830	1				
43		696212-06032	2				
44		696215-22830	2				
46		696216-06030	1				
47		696206-28232	1				
48		696219-28231	1				
49		696220-06030	1				
50		900220-06010	1				
51		890617-46730	1				

SRM-360SL (blade shield)



Key	Lv	Part Number	Q'ty	Key	Lv	Part Number	Q'ty
Clé		Nr. de Pièce	Q'té	Clé		Nr. de Pièce	Q'té
Tafel		Teil	Anz	Tafel		Teil	Anz
N°rif		N° ricambio	Q.tá	N°rif		N° ricambio	Q.tá
1		895610-00130	1				
2		895112-00330	1				
3		895410-08030	1				
4		897518-01131	1				
5		899580-40930	1				
25		699000-52931	1				
26	+	699013-52130	1				
27	+	900162-05018	4				
28	+	900162-05014	2				
29	+	900162-05025	4				
30	+	699013-56830	1				
31	+	699016-54530	1				
32	+	900603-00005	4				
33	+	900500-00005	6				
34	+	699010-52931	1				

SRM-3155L 10 (Carburetor)
SRM-360SL



Key	Lv	Part Number	Q'ty	Key	Lv	Part Number	Q'ty
Clé		Nr. de Pièce	Q'té	Clé		Nr. de Pièce	Q'té
Tafel		Teil	Anz	Tafel		Teil	Anz
N°rif		N° ricambio	Q.tà	N°rif		N° ricambio	Q.tà
1	+	124113-05530	1	29	+	124354-12710	1
2	+	124114-50330	1	30	+	124358-21330	1
3	+	124115-05530	1	31	+	124341-55430	1
4	+	124116-05530	1	32	+	124324-21330	1
6	+	124318-55430	1	33	+	900241-03008	4
7	+	124159-05530	1	36	+	124367-55430	1
8	+	124160-11120	1				
9	+	124367-53630	1				
10	+	124361-12710	1				
11	+	124364-12710	1				
12	+	124362-12710	1				
13	+	124363-12710	1				
14	+	124379-55430	1				
15	+	124374-55430	1				
16	+	124380-55430	1				
17	+	124342-55430	1				
18	+	900241-04014	1				
19	+	124320-52830	1				
20	+	124332-21330	1				
21	+	900273-03008	2				
22	+	124374-53630	1				
23	+	124375-12710	1				
24	+	124345-54930	1				
25	+	124321-50430	1				
26	+	124331-21330	1				
27	+	124355-21330	1				
28	+	124356-21330	1				

SRM-3155L			
Key	Lv	Part Number	Q'ty
Clé		Nr. de Pièce	Q'té
Tafel		Teil	Anz
N°rif		N° ricambio	Q.tà
		124200-57331	1
5	+	124317-58230	1

SRM-360SL			
Key	Lv	Part Number	Q'ty
Clé		Nr. de Pièce	Q'té
Tafel		Teil	Anz
N°rif		N° ricambio	Q.tà
		124200-64730	1
5	+	124317-64730	1

TECHNICAL INFORMATION

SUBJECT: Changes
on **SRM-3605, SRM-360SL, SRM-3805,**
SRM-4605, RM-385, RM-465

Number: 2001-051 (1/2)
Issued: April 27, 2001
Revised: Nov. 30, 2001

SRM-3605	D.S.Serial Number 007910* to 023799	D.S.Serial Number 023800 and after
SRM-360SL	D.S.Serial Number 003679 and before	D.S.Serial Number 003680 and after
SRM-3805 SRM-4605	D.S.Serial Number 018301* to 049468	D.S.Serial Number 049469 and after
RM-385 RM-465	D.S.Serial Number 006412* to 013981	D.S.Serial Number 013982 and after
		Introduced new blade shields and handle grip
Screw	Nil	900242-05018
Nut	Nil	900565-00005
Nut	900500-00005 (4pcs)	Nil
Washer	900603-00005 (4pcs)	Nil
Blade shield	699010-52931	C550-000100
Blade shield	Nil	C550-000090
Shield plate	699013-52130	C550-000080
Nut	900500-00005 (2pcs)	Nil
Cord knife	699016-54530	C554-000000
Bolt	900162-05014 (2pcs)	Nil
Bolt	900162-05018 (4pcs)	Nil
Screw	Nil	900252-05012
Blade shield with knife	Nil	P021-002620
Handle grip	351311-22430 Applicable : SRM-3605 (U) SRM-360SL (U) SRM-3805 (U) SRM-4605 (U)	C403-000030 Applicable : SRM-3605 (U) SRM-360SL (U) SRM-3805 (U) SRM-4605 (U)
A set of all the new parts can be used on the units before this change.		

* Refer to Technical Information Number 98-642 for the units before these Serial Numbers.
D.S. Serial Number : Serial Number for drive shaft assembly printed on label stuck on drive shaft housing.

571039 H12M H13D H12M H12M
580006 H12M H13D H12M H12M



KIORITZ CORPORATION

TOKYO, JAPAN
Printed in Japan

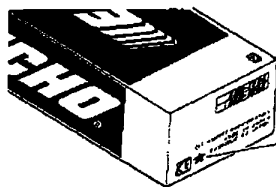
TECHNICAL INFORMATION Number: 2001-051 (2/2)

	Serial Number 024044 and before	Serial Number 024045 and after
	Serial Number 003680 and before	Serial Number 003681 and after
	Serial Number 015300 and before	Serial Number 015301 and after
	Serial Number 035529 and before	Serial Number 035530 and after
Screw	900246-03025 (4pcs)	900246-04016 (3pcs)
Nut	900500-00005	900500-00005 (Unchanged)
Screw	900220-05030	900220-05030 (Unchanged)
F-handle grip assembly	351102-47530	P021-00261
Switch label	890157-39130	Nil
Torsion spring	Nil	V452-000060
Throttle trigger	178010-05960	C450-000020
Torsion spring	178013-35631	V452-000050
Throttle lockout	178012-05960	C460-000010
Throttle wire	178001-47530 : SRM-3605 178001-27230 : SRM-360SL 178001-43230 : SRM-3805 SRM-4605	V430-000410 : SRM-3605 V430-000381 : SRM-360SL SRM-3805 V430-000400 : SRM-4605

(Not supplied separately)

(Not supplied separately)

A set of all the new parts can be used on the units before this change.



Identity mark "★" for new configuration unit (with new blade shields and cushioned handle grips) is added on the carton box as shown.

571039 H12M H13F H12M H12M
571096 H12M H13F H12M H12M
580324
580385 H13F.....