



**PARTS CATALOGUE  
 CATALOGUE DE PIECE  
 ERSATZTEIL-KATALOG  
 CATALOGO PARTI**

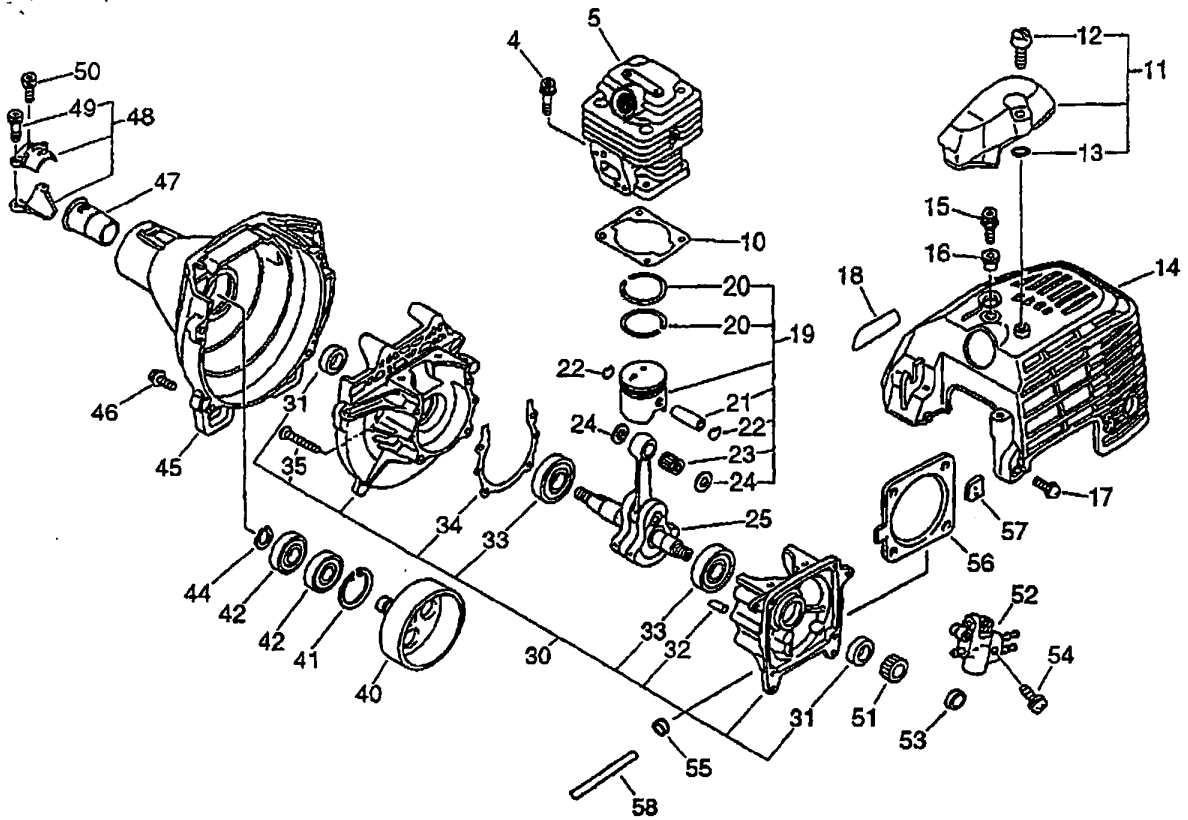
**ECHO  
 SRM-315SL  
 SRM-360SL**

0800 512 2007



**SRM-315SL**  
**SRM-360SL**

**1 (Cylinder, Crankcase, Piston)**

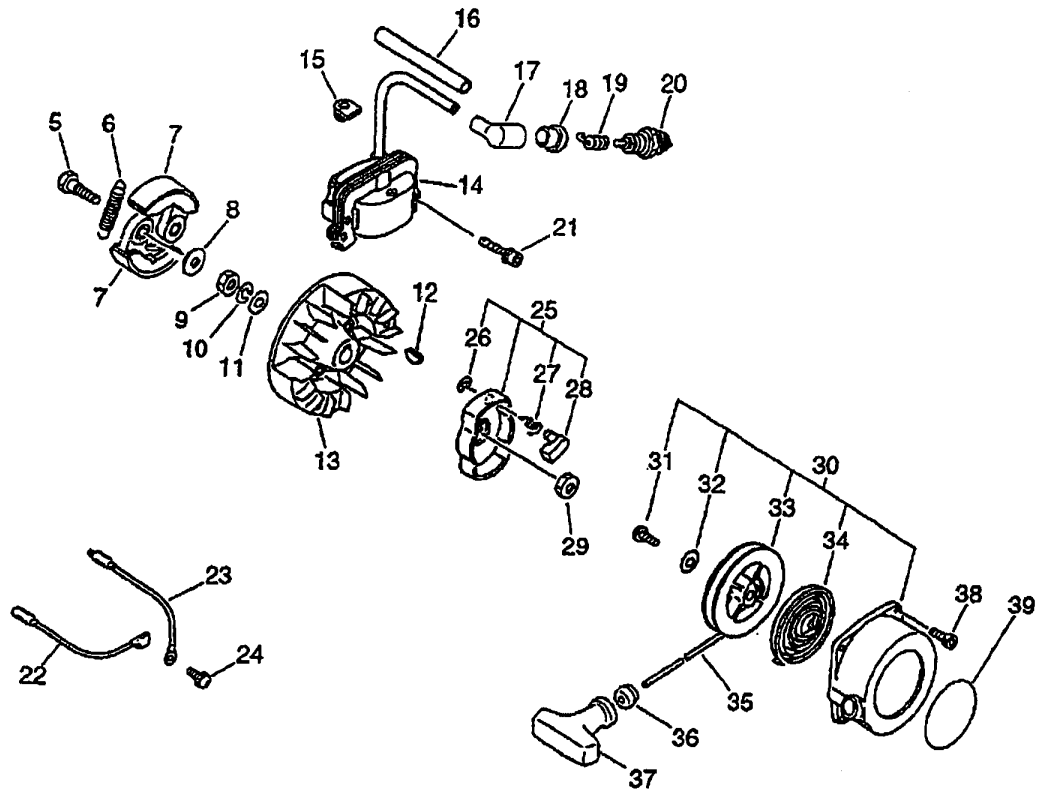


Key	Lv	Part Number	Q'ty	Key	Lv	Part Number	Q'ty
Clé		Nr. de Pièce	Q'té	Clé		Nr. de Pièce	Q'té
Tafel		Teil	Anz	Tafel		Teil	Anz
N°rif		N° ricambio	Q.tá	N°rif		N° ricambio	Q.tá
4		900162-05020	4	45		101511-55430	1
10		101010-55430	1	46		900162-05020	4
11		159902-55230	1	47		610910-55630	1
12	+	352325-55230	1	48		610903-55430	1
13	+	900720-00004	1	49	+	900162-05025	2
14		101514-55630	1	50		900162-05012	1
15		900162-05020	1	51		437063-50430	1
16		101531-55230	1	52		437002-49930	1
17		900162-05012	2	53		100127-50430	1
21	+	100013-27430	1	54		900240-04016	2
22	+	100015-03930	2	55		178810-03930	1
23	+	100012-16131	1	56		101586-56930	1
24	+	100014-53630	2	57		437243-56930	1
25		100100-56930	1	58		132717-34330	1
30		100204-56930	1				
31	+	100213-05530	2				
32	+	100215-03930	4				
33	+	900810-36201	2				
34	+	100242-55430	1				
35	+	900162-05030	4				
40		175005-49930	1				
41		900702-00028	1				
42		900807-06001	2				
44		900701-00012	1				

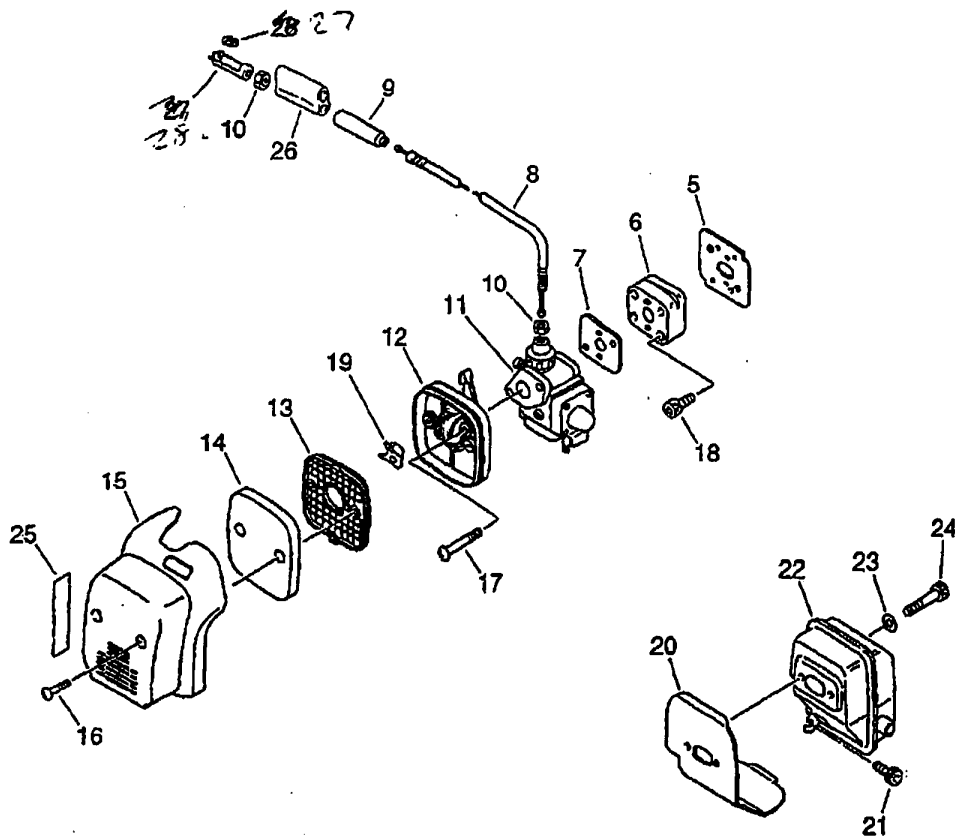
<b>SRM-315SL</b>				<b>SRM-360SL</b>			
Key	Lv	Part Number	Q'ty	Key	Lv	Part Number	Q'ty
Clé		Nr. de Pièce	Q'té	Clé		Nr. de Pièce	Q'té
Tafel		Teil	Anz	Tafel		Teil	Anz
N°rif		N° ricambio	Q.tá	N°rif		N° ricambio	Q.tá
5		101034-55630	1	5		101034-55830	1
18		890115-62530	1	18		890112-64730	1
19		100000-55430	1	19		100000-55830	1
20	+	100011-16131	2	20	+	100011-42230	2

**SRM-315SL 2 (Starter, Magneto)**  
**SRM-360SL**



Key	Lv	Part Number	Q'ty	Key	Lv	Part Number	Q'ty
Clé		Nr. de Pièce	Q'té	Clé		Nr. de Pièce	Q'té
Tafel		Teil	Anz	Tafel		Teil	Anz
N°rif		N° ricambio	Q.tá	N°rif		N° ricambio	Q.tá
5		175046-46430	2	29		900502-00008	1
6		175018-49931	1	30		177200-55631	1
7		175009-49930	2	31	+	177236-40630	1
8		175048-05530	2	32	+	177214-41030	1
9		900502-00008	1	33	+	177215-43130	1
10		900605-00008	1	34	+	177220-40630	1
11		900600-00008	1	35	+	177226-01110	1
12		100142-12330	1	36	+	177227-42030	1
13		152801-55430	1	37	+	177228-27030	1
14		152626-55430	1	38		900162-04030	4
15		150112-44330	1	39		890118-49330	1
16		150611-14530	1				
17		159012-01620	1				
18		159015-55230	1				
19		159011-03432	1				
20		159010-10230	1				
21		900162-05020	2				
22		162010-50330	1				
23		162014-50330	1				
24		900238-05010	1				
25		177202-41030	1				
26	+	900700-00004	1				
27	+	177234-40630	1				
28	+	177218-40630	1				

**SRM-315SL** (All cleaner, mumer)  
**SRM-360SL**



Key	Lv	Part Number	Q'ty	Key	Lv	Part Number	Q'ty
Clé		Nr. de Pièce	Q'té	Clé		Nr. de Pièce	Q'té
Tafel		Teil	Anz	Tafel		Teil	Anz
N°rif		N° ricambio	Q.tà	N°rif		N° ricambio	Q.tà
5		130016-55430	1				
6		130007-56930	1				
7		130010-52830	1				
8		178001-50330	1				
9		178127-50330	1				
10		178021-05530	2				
12		130307-53930	1				
13		130311-52830	1				
14		130310-52830	1				
15		130308-52831	1				
16		900242-04020	2				
17		900242-05050	2				
18		900162-05025	2				
19		178523-55130	1				
20		145510-55430	1				
21		900162-05012	1				
22		145610-55230	1				
23		900600-00005	2				
24		900105-05060	2				
25		890012-62530	1				
26		178128-22130	1				
27		178049-06630	1				
28		178114-05630	1				

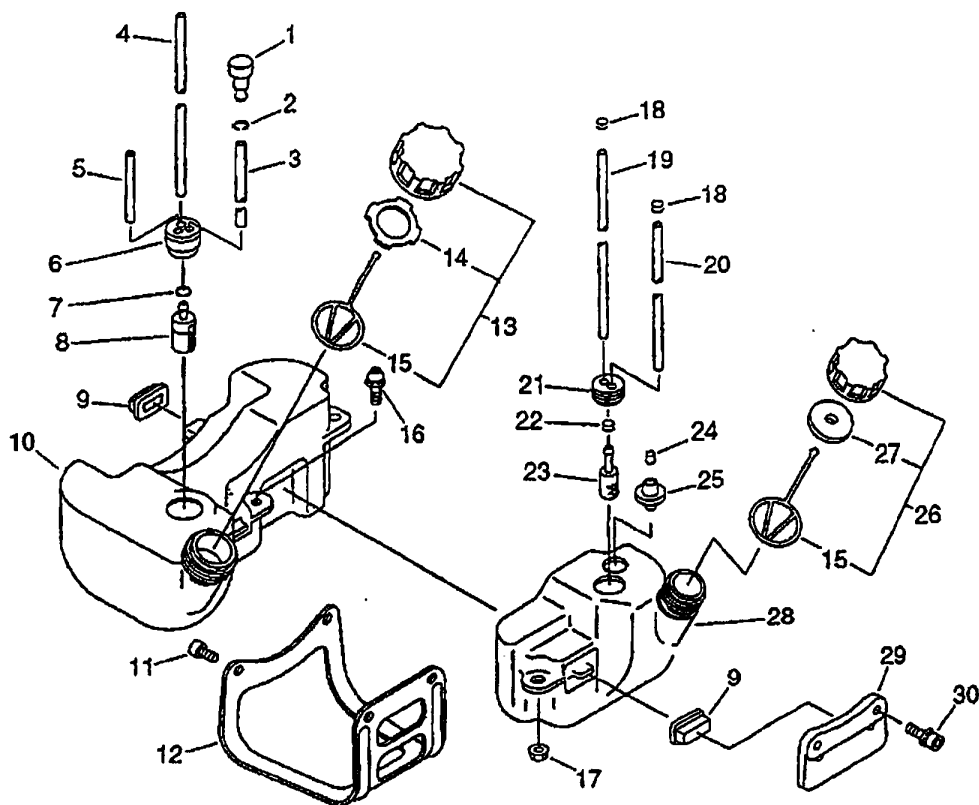
Key	Lv	Part Number	Q'ty
Clé		Nr. de Pièce	Q'té
Tafel		Teil	Anz
N°rif		N° ricambio	Q.tà
11		124200-57331	1

Key	Lv	Part Number	Q'ty
Clé		Nr. de Pièce	Q'té
Tafel		Teil	Anz
N°rif		N° ricambio	Q.tà
11		124200-64730	1

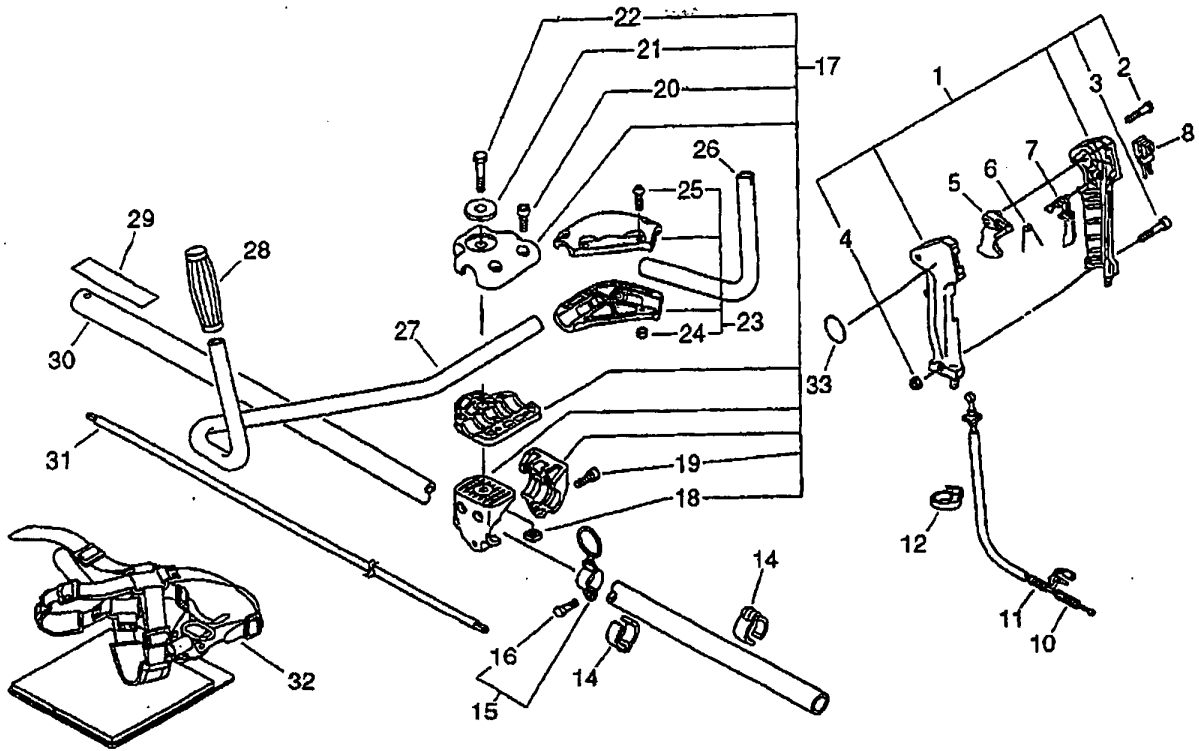
**SRM-315SL**  
**SRM-360SL**

**4 (FUEL TANK, OIL TANK)**



Key	Lv	Part Number	Qty	Key	Lv	Part Number	Qty
Clé		Nr. de Pièce	Qté	Clé		Nr. de Pièce	Qté
Tafel		Teil	Anz	Tafel		Teil	Anz
N°rif		N° ricambio	Q.tà	N°rif		N° ricambio	Q.tà
1		131300-56430	1	25		131314-06320	1
2		130111-00530	1	26		436001-56530	1
3		437210-11131	1	15	+	131051-52430	1
4		132010-52030	1	27	+	436012-37830	1
5		437215-20760	1	28		436010-56930	1
6		132115-55930	1	29		131910-55430	1
7		132013-26630	1	30		900162-05020	2
8		131205-14930	1				
9		131920-55430	4				
10		131005-56930	1				
11		900162-05012	2				
12		305110-55630	1				
13		131004-54930	1				
14	+	131016-55830	1				
15	+	131051-52430	1				
16		900239-05018	2				
17		900518-00005	2				
18		437221-54930	4				
19		132717-36030	1				
20		132717-34630	1				
21		132115-50430	1				
22		132013-50430	1				
23		436205-50430	1				
24		131315-05020	1				

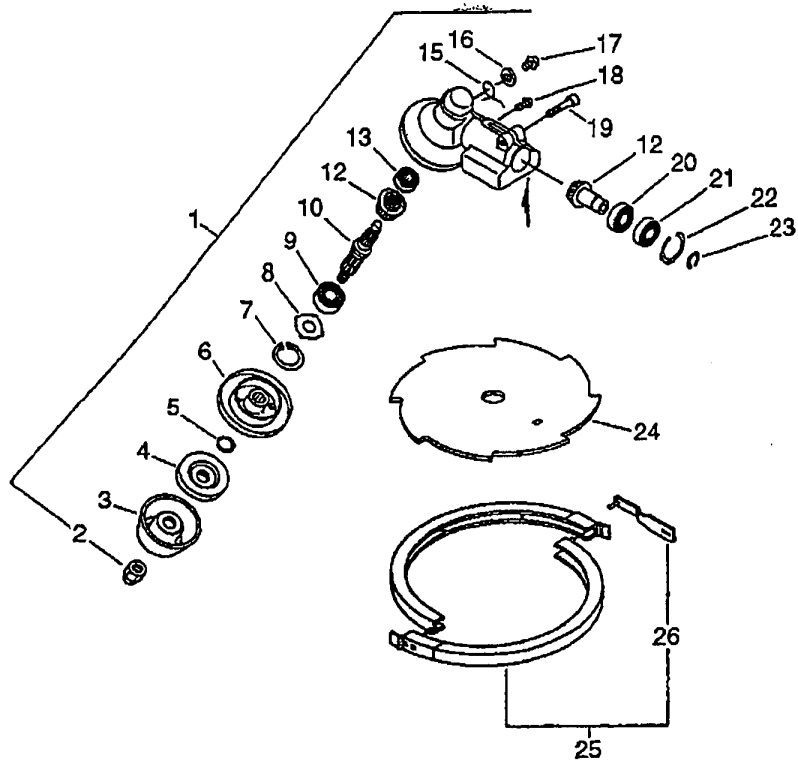
**SRM-315SL 5 (U-Handle)**  
**SRM-360SL**



Key	Lv	Part Number	Q'ty	Key	Lv	Part Number	Q'ty
Clé		Nr. de Pièce	Q'té	Clé		Nr. de Pièce	Q'té
Tafel		Teil	Anz	Tafel		Teil	Anz
N°rif		N° ricambio	Q.tà	N°rif		N° ricambio	Q.tà
1		351102-47530	1	26		351214-52931	1
2	+	900246-03025	4	27		351010-52931	1
3	+	900220-05030	1	28		351311-22430	1
4	+	900500-00005	1	29		890617-46830	1
5		178010-05960	1	30		610206-56930	1
6		178013-35631	1	31		610011-06230	1
7		178012-05960	1	32		301001-56831	1
8		163400-50330	1	33		890157-39130	1
10		178001-27230	1				
11		162110-27230	1				
12		159112-09960	1				
14		224924-52930	1				
15		301200-05230	1				
16	+	900105-05012	1				
17		351301-52930	1				
18	+	900565-50008	1				
19	+	900162-05030	3				
20	+	900162-05020	2				
21	+	605014-54230	1				
22	+	351421-52130	1				
23		351202-51430	1				
24	+	900500-00005	4				
25	+	900162-05020	4				

**SRM-315SL**  
**SRM-360SL**

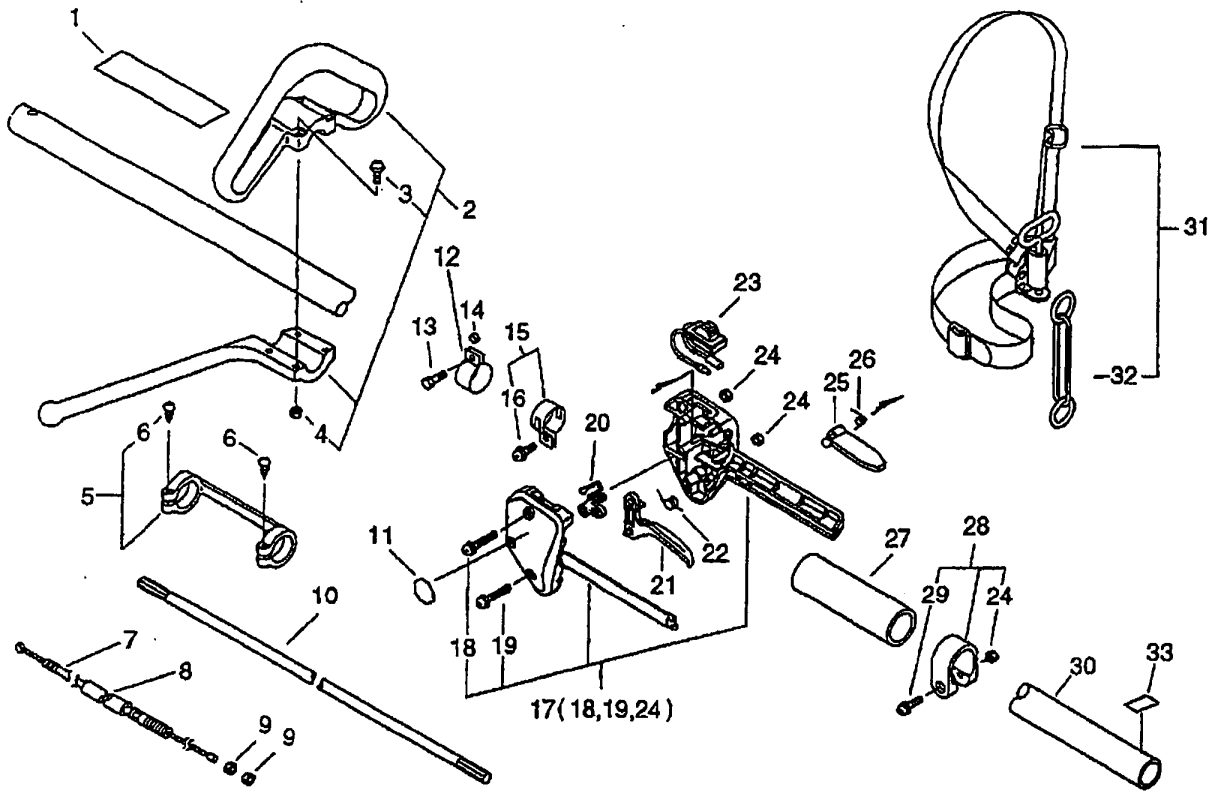
**6 (Gear Case, Blade 8-Cutter) U-Handle type**



Key	Lv	Part Number	Q'ty	Key	Lv	Part Number	Q'ty
Clé		Nr. de Pièce	Q'té	Clé		Nr. de Pièce	Q'té
Tafel		Teil	Anz	Tafel		Teil	Anz
N°rif		N° ricambio	Q.tá	N°rif		N° ricambio	Q.tá
1		610400-56930	1				
2	+	610320-52130	1				
3	+	699229-56830	1				
4	+	610314-52130	1				
5	+	900720-00012	1				
6	+	610313-52930	1				
7	+	900702-00032	1				
8	+	610444-56830	1				
9	+	900812-06201	1				
10	+	610310-56930	1				
12	+	610300-56930	1				
13	+	900810-00629	1				
15	+	610473-52130	1				
16	+	900603-50008	1				
17	+	610434-50030	1				
18	+	900242-05010	1				
19	+	900162-06030	1				
20	+	900800-06001	1				
21	+	900807-06001	1				
22	+	900702-00028	1				
23	+	900701-00012	1				
24		696001-55630	1				
25		898503-50030	1				
26	+	898562-43230	1				

02103031

**SRM-315SL 7 (Loop Handle)**  
**SRM-360SL**



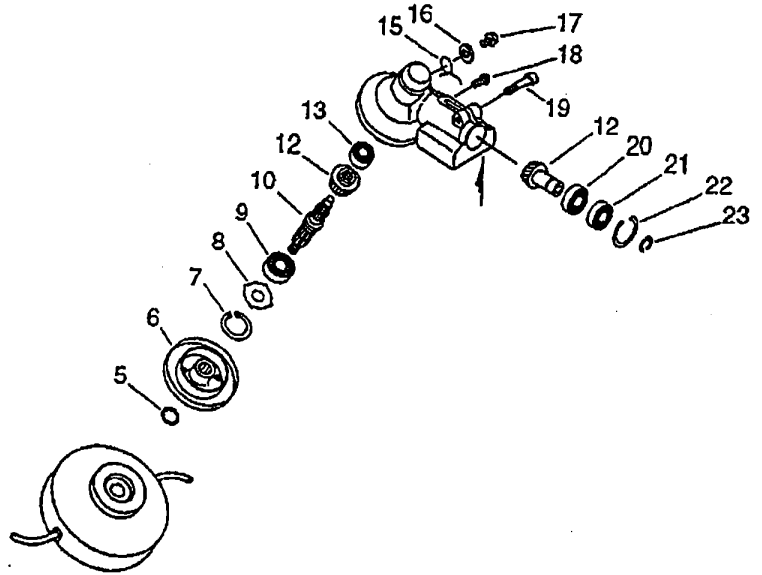
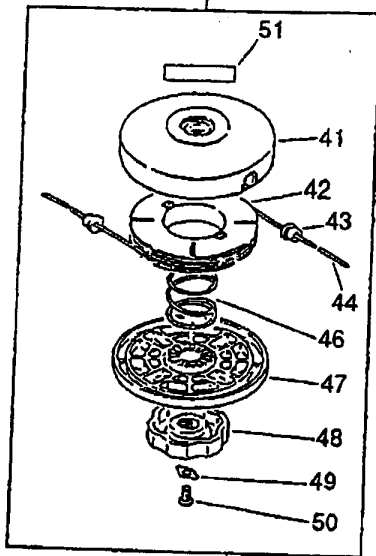
Key	Lv	Part Number	Q'ty	Key	Lv	Part Number	Q'ty
Clé		Nr. de Pièce	Q'té	Clé		Nr. de Pièce	Q'té
Tafel		Teil	Anz	Tafel		Teil	Anz
N°rif		N° ricambio	Q.tà	N°rif		N° ricambio	Q.tà
1		890177-46730	1	25		178090-52630	1
2		351201-55630	2	26		178013-52630	1
3	+	900242-05035	4	27		351213-51830	1
4	+	900500-00005	4	28		610272-51830	1
5		610281-42230	1	24	+	900500-00005	1
6	+	900253-04025	2	29	+	900242-05028	1
7		178002-64730	1	30		610206-56930	1
8		178127-55931	1	31		301000-55230	1
9		900502-00006	2	32	+	301305-24330	1
10		610011-06230	1	33		890152-04930	1
11		890157-39130	1				
12		301207-07530	1				
13		900100-05018	1				
14		699012-03330	1				
15		301200-42230	1				
16	+	900242-05014	1				
17		178003-51830	1				
18	+	900242-05035	1				
19	+	900242-05025	1				
24	+	900500-00005	2				
20		178012-52630	1				
21		178010-52130	1				
22		178043-42230	1				
23		163400-49930	1				



**SAM-315SL**  
**SAM-360SL**

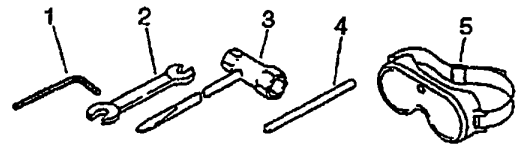
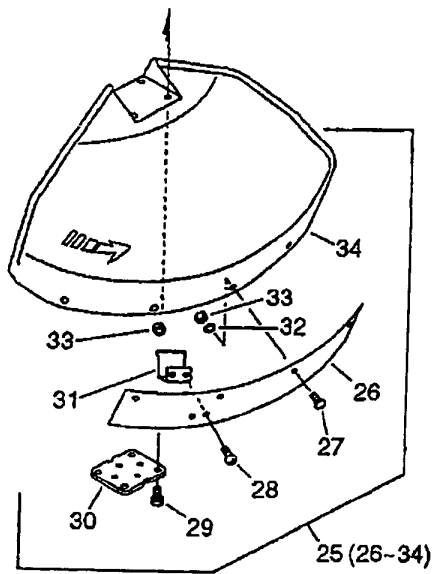
**(Nylon Line Head SRAH-205) Loop Handle Type**

**SRAH-205**



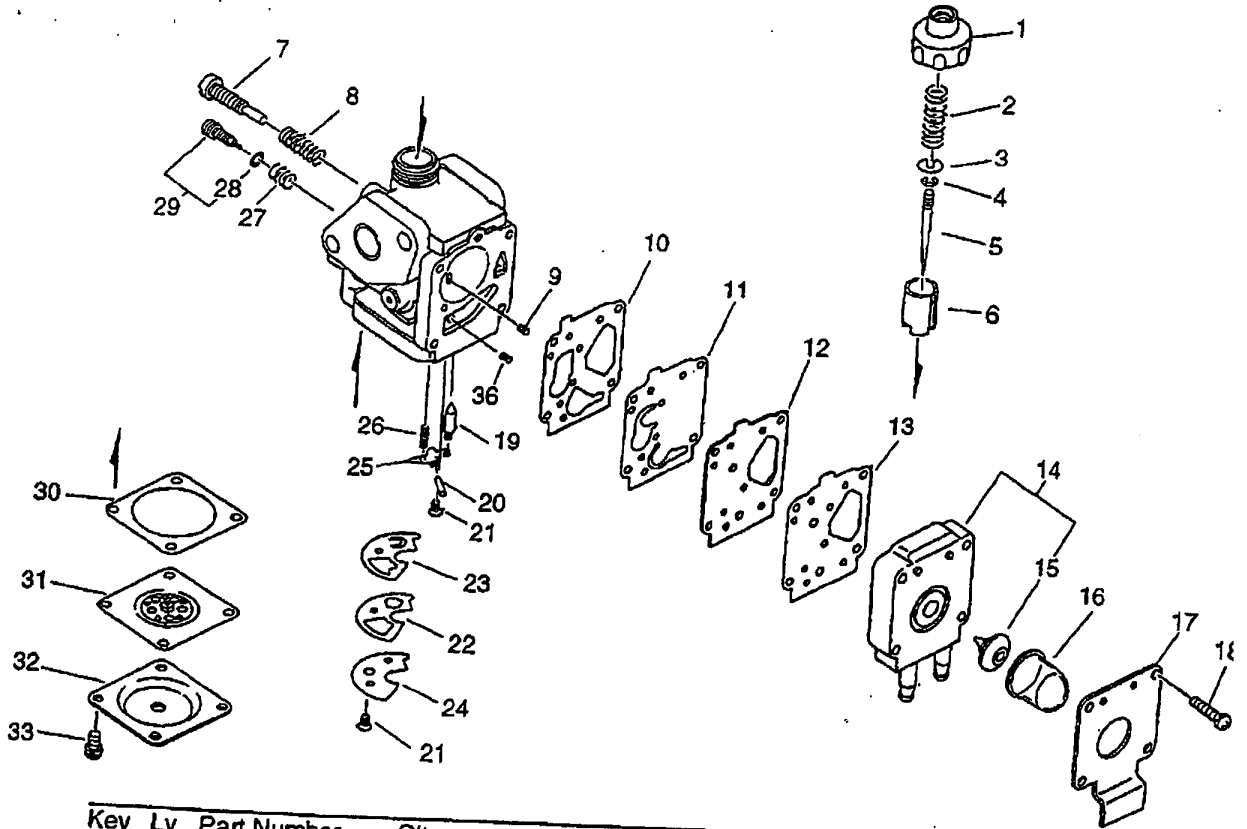
Key	Lv	Part Number	Q'ty	Key	Lv	Part Number	Q'ty
Clé		Nr. de Pièce	Q'té	Clé		Nr. de Pièce	Q'té
Tafel		Teil	Anz	Tafel		Teil	Anz
N°rif		N° ricambio	Q.tá	N°rif		N° ricambio	Q.tá
5		900720-00012	1				
6		610313-52930	1				
7		900702-00032	1				
8		610444-56830	1				
9		900812-06201	1				
10		610310-56930	1				
12		610300-56930	1				
13		900810-00629	1				
15		610473-52130	1				
16		900603-50008	1				
17		610434-50030	1				
18		900242-05010	1				
19		900162-06030	1				
20		900800-06001	1				
21		900807-06001	1				
22		900702-00028	1				
23		900701-00012	1				
41		696210-56930	1				
42		696214-06830	1				
43		696212-06032	2				
44		696215-22830	2				
46		696216-06030	1				
47		696206-28232	1				
48		696219-28231	1				
49		696220-06030	1				
50		900220-06010	1				
51		890617-46730	1				

SRM-360SL (blade shield)



Key	Lv	Part Number	Q'ty	Key	Lv	Part Number	Q'ty
Clé		Nr. de Pièce	Q'té	Clé		Nr. de Pièce	Q'té
Tafel		Teil	Anz	Tafel		Teil	Anz
N°rif		N° ricambio	Q.tá	N°rif		N° ricambio	Q.tá
1		895610-00130	1				
2		895112-00330	1				
3		895410-08030	1				
4		897518-01131	1				
5		899580-40930	1				
25		699000-52931	1				
26	+	699013-52130	1				
27	+	900162-05018	4				
28	+	900162-05014	2				
29	+	900162-05025	4				
30	+	699013-56830	1				
31	+	699016-54530	1				
32	+	900603-00005	4				
33	+	900500-00005	6				
34	+	699010-52931	1				

**SRM-3155L 10 (Carburetor)**  
**SRM-360SL**



Key	Lv	Part Number	Q'ty
Clé		Nr. de Pièce	Q'té
Tafel		Teil	Anz
N°rif		N° ricambio	Q.tá
1	+	124113-05530	1
2	+	124114-50330	1
3	+	124115-05530	1
4	+	124116-05530	1
6	+	124318-55430	1
7	+	124159-05530	1
8	+	124160-11120	1
9	+	124367-53630	1
10	+	124361-12710	1
11	+	124364-12710	1
12	+	124362-12710	1
13	+	124363-12710	1
14	+	124379-55430	1
15	+	124374-55430	1
16	+	124380-55430	1
17	+	124342-55430	1
18	+	900241-04014	1
19	+	124320-52830	1
20	+	124332-21330	1
21	+	900273-03008	2
22	+	124374-53630	1
23	+	124375-12710	1
24	+	124345-54930	1
25	+	124321-50430	1
26	+	124331-21330	1
27	+	124355-21330	1
28	+	124356-21330	1

Key	Lv	Part Number	Q'ty
Clé		Nr. de Pièce	Q'té
Tafel		Teil	Anz
N°rif		N° ricambio	Q.tá
29	+	124354-12710	1
30	+	124358-21330	1
31	+	124341-55430	1
32	+	124324-21330	1
33	+	900241-03008	4
36	+	124367-55430	1

**SRM-3155L**

Key	Lv	Part Number	Q'ty
Clé		Nr. de Pièce	Q'té
Tafel		Teil	Anz
N°rif		N° ricambio	Q.tá
		124200-57331	1
5	+	124317-58230	1

**SRM-360SL**

Key	Lv	Part Number	Q'ty
Clé		Nr. de Pièce	Q'té
Tafel		Teil	Anz
N°rif		N° ricambio	Q.tá
		124200-64730	1
5	+	124317-64730	1

# TECHNICAL INFORMATION

**SUBJECT:** Changes  
on **SRM-3605, SRM-360SL, SRM-3805,**  
**SRM-4605, RM-385, RM-465**

**Number:** 2001-051 (1/2)  
**Issued:** April 27, 2001  
**Revised:** Nov. 30, 2001

<b>SRM-3605</b>	D.S. Serial Number 007910* to 023799	D.S. Serial Number 023800 and after
<b>SRM-360SL</b>	D.S. Serial Number 003679 and before	D.S. Serial Number 003680 and after
<b>SRM-3805</b> <b>SRM-4605</b>	D.S. Serial Number 018301* to 049468	D.S. Serial Number 049469 and after
<b>RM-385</b> <b>RM-465</b>	D.S. Serial Number 006412* to 013981	D.S. Serial Number 013982 and after
		Introduced new blade shields and <b>handle grip</b>
Screw	Nil	900242-05018
Nut	Nil	900565-00005
Nut	900500-00005 (4pcs)	Nil
Washer	900603-00005 (4pcs)	Nil
Blade shield	699010-52931	C550-000100
Blade shield	Nil	C550-000090
Shield plate	699013-52130	C550-000080
Nut	900500-00005 (2pcs)	Nil
Cord knife	699016-54530	Nil
Bolt	900162-05014 (2pcs)	Nil
Bolt	900162-05018 (4pcs)	Nil
Screw	Nil	C554-000000
Blade shield with knife	Nil	900252-05012
<b>Handle grip</b>	351311-22430 <b>Applicable : SRM-3605 (U)</b> <b>SRM-360SL (U)</b> <b>SRM-3805 (U)</b> <b>SRM-4605 (U)</b>	C403-000030 <b>Applicable : SRM-3605 (U)</b> <b>SRM-360SL (U)</b> <b>SRM-3805 (U)</b> <b>SRM-4605 (U)</b>
	A set of all the new parts can be used on the units before this change.	

\* Refer to Technical Information Number 98-642 for the units before these Serial Numbers.  
D.S. Serial Number : Serial Number for drive shaft assembly printed on label stuck on drive shaft housing.

571039 H12M H13D H12M H12M  
580006 H12M H13D H12M H12M



**KIORITZ CORPORATION**

TOKYO, JAPAN  
Printed in Japan

**TECHNICAL INFORMATION Number: 2001-051 (2/2)**

	Serial Number 024044 and before	Serial Number 024045 and after
	Serial Number 003680 and before	Serial Number 003681 and after
	Serial Number 015300 and before	Serial Number 015301 and after
	Serial Number 035529 and before	Serial Number 035530 and after
Screw	900246-03025 (4pcs)	900246-04016 (3pcs)
Nut	900500-00005	900500-00005 (Unchanged)
Screw	900220-05030	900220-05030 (Unchanged)
F-handle grip assembly	351102-47530	P021-00261
Switch label	890157-39130	Nil
Torsion spring	Nil	V452-000060
Throttle trigger	178010-05960	Rubber tip C450-000020
Torsion spring	178013-35631	V452-000050
Throttle lockout	178012-05960	C460-000010
Throttle wire	178001-47530 : <b>SRM-3605</b> 178001-27230 : <b>SRM-360SL</b> 178001-43230 : <b>SRM-3805</b> <b>SRM-4605</b>	V430-000410 : <b>SRM-3605</b> V430-000381 : <b>SRM-360SL</b> <b>SRM-3805</b> V430-000400 : <b>SRM-4605</b>

(Not supplied separately)

(Not supplied separately)

A set of all the new parts can be used on the units before this change.



Identity mark "★" for new configuration unit (with new blade shields and cushioned handle grips) is added on the carton box as shown.

571039	H12M H13F H12M H12M
571096	H12M H13F H12M H12M
580324	... ..
580385	... H13F ...