

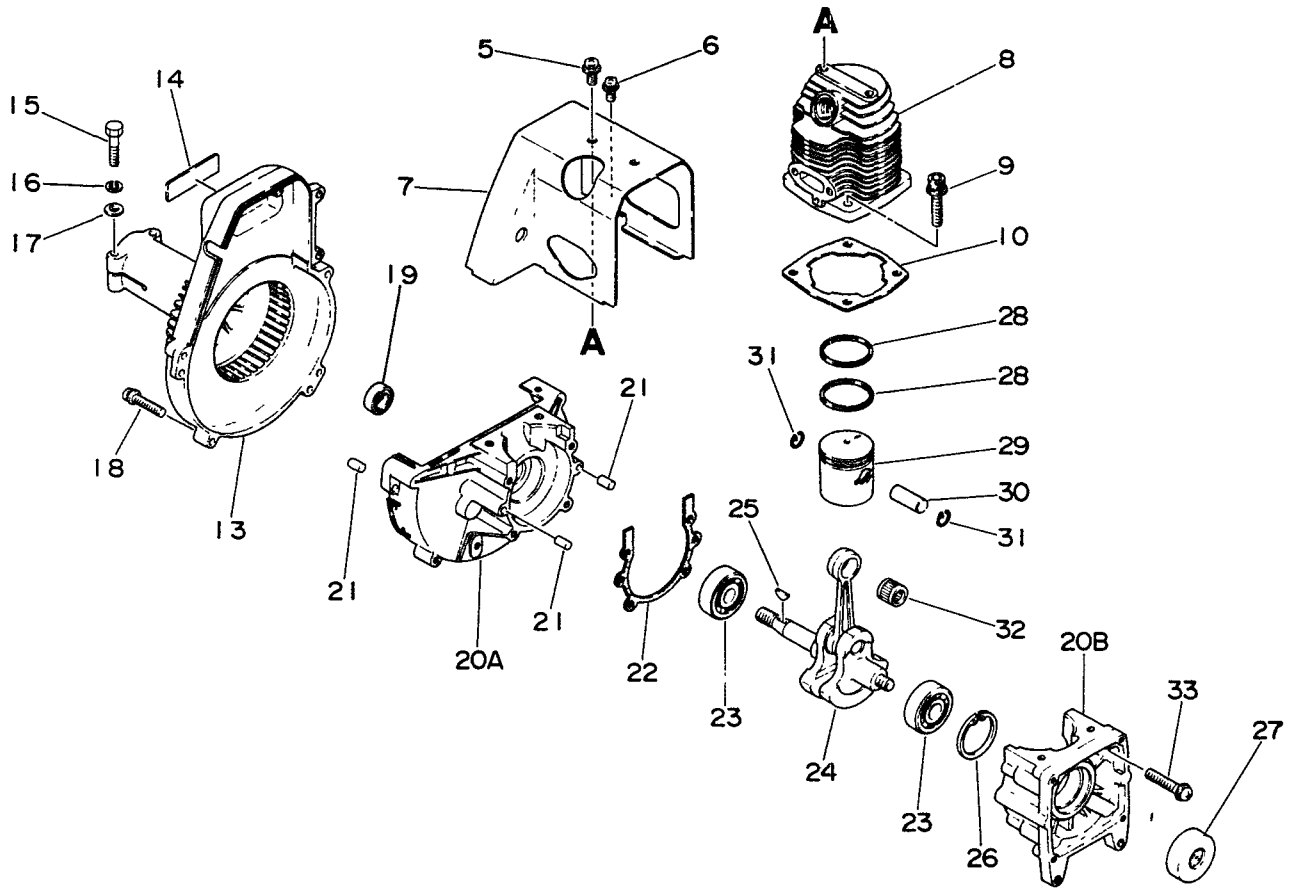


**BRUSH CUTTER
PARTS CATALOG
SRM-300AE
SRM-300AE/1**

**ECHO, INCORPORATED
400 OAKWOOD ROAD
LAKE ZURICH, IL 60047**

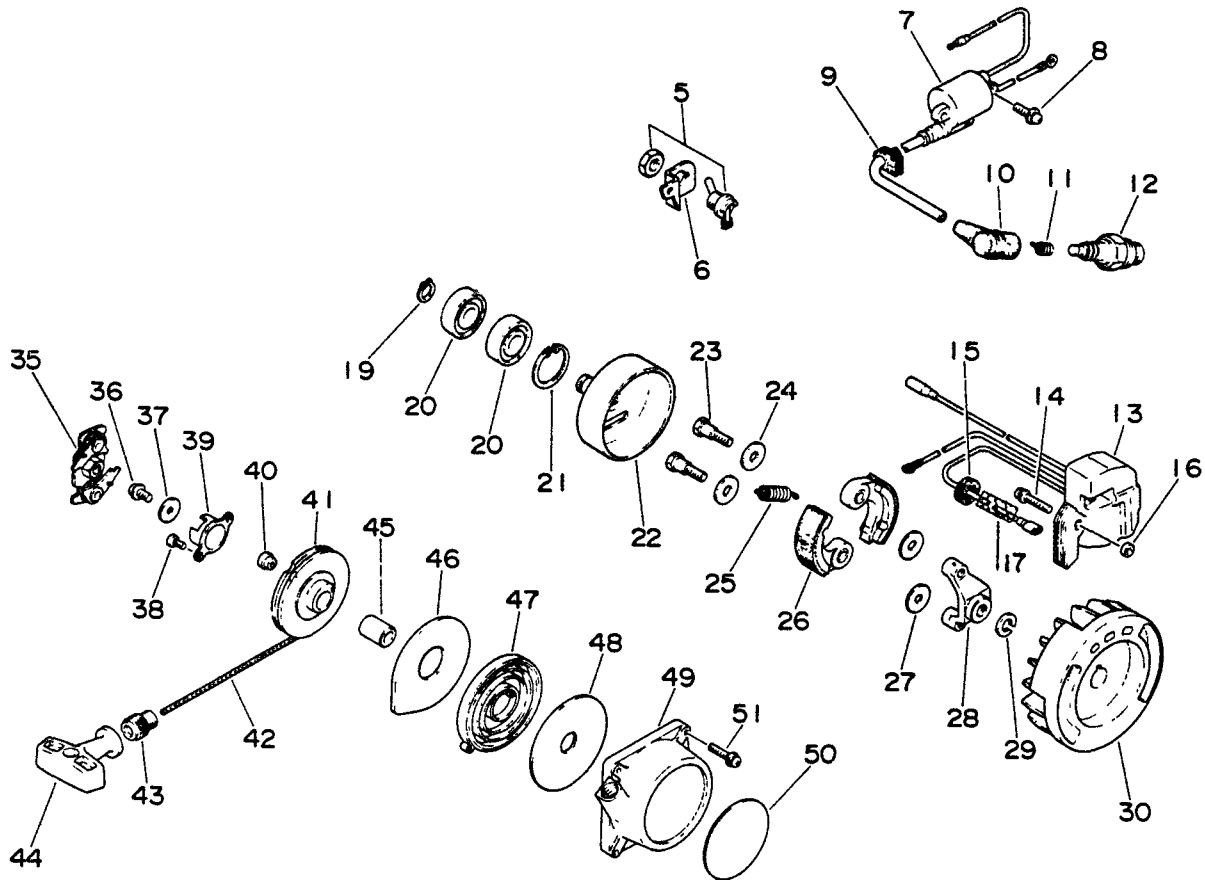
**898 56124430
01/85**

SRM-300AE SRM-300AE/1 1

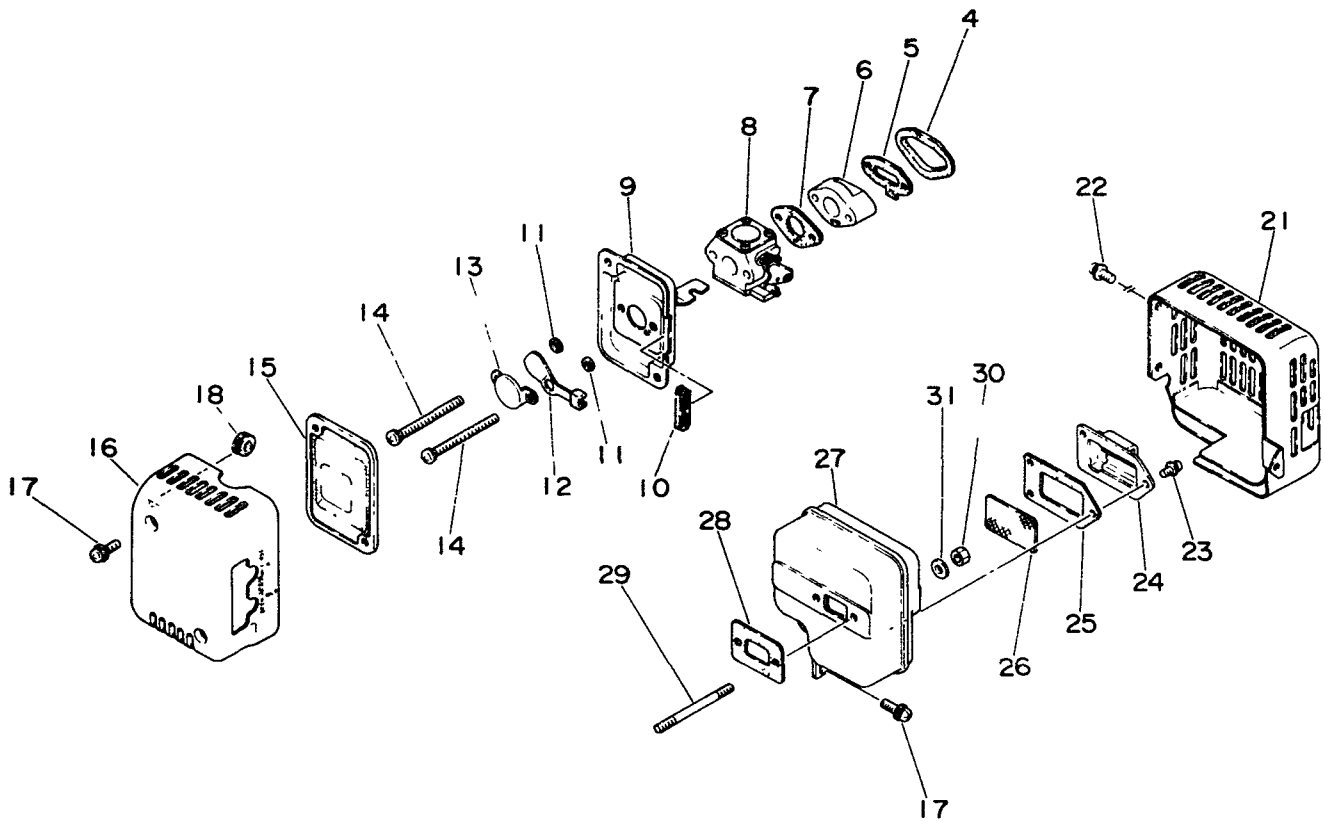


Key No.	Part Number	Q'ty	Description	Key No.	Part Number	Q'ty	Description		
1-	5	900 242-0501 0	2	Screw 5x10	1-	22	100 242-0672 0	1	Gasket, crankcase
	6	900 242-0401 0	1	Screw 4x10	23	900 810-3620 2	2	Ball bearing	
	7	101 514-2483 0	1	Cover, cylinder	24	100 100-0672 0	1	Crankshaft ass'y	
	8	101 011-0672 0	1	Cylinder	25	100 131-0162 0	1	Key, woodruff	
	9	900 162-0502 0	4	H.S. bolt 5x20	26	900 702-0003 5	1	Circlip 35	
	10	101 010-0672 0	1	Gasket, cyl. base	27	100 213-0283 0	1	Oilseal	
	13	101 511-0672 0	1	Fan cover	28	100 011-0573 1	2	Piston ring	
	14	890 112-2443 0	1	Decal	29	100 010-0573 1	1	Piston	
	15	900 100-0502 5	2	Bolt 5x25	30	100 013-0573 1	1	Piston pin	
	16	900 605-0000 5	2	Spring washer 5	31	100 015-0012 0	2	Circlip, piston pin	
	17	900 600-0000 5	2	Washer 5	32	100 012-1233 0	1	Bearing, needle	
	18	900 242-0502 5	4	Screw 5x25	33	900 242-0503 0	4	Screw 5x30	
	19	100 212-1123 0	1	Oilseal					
	20	100 200-0672 1	1	Crankcase set					
	21	-100 215-0283 0	4	Pin, knock					

Remark: 20 Includes 21.



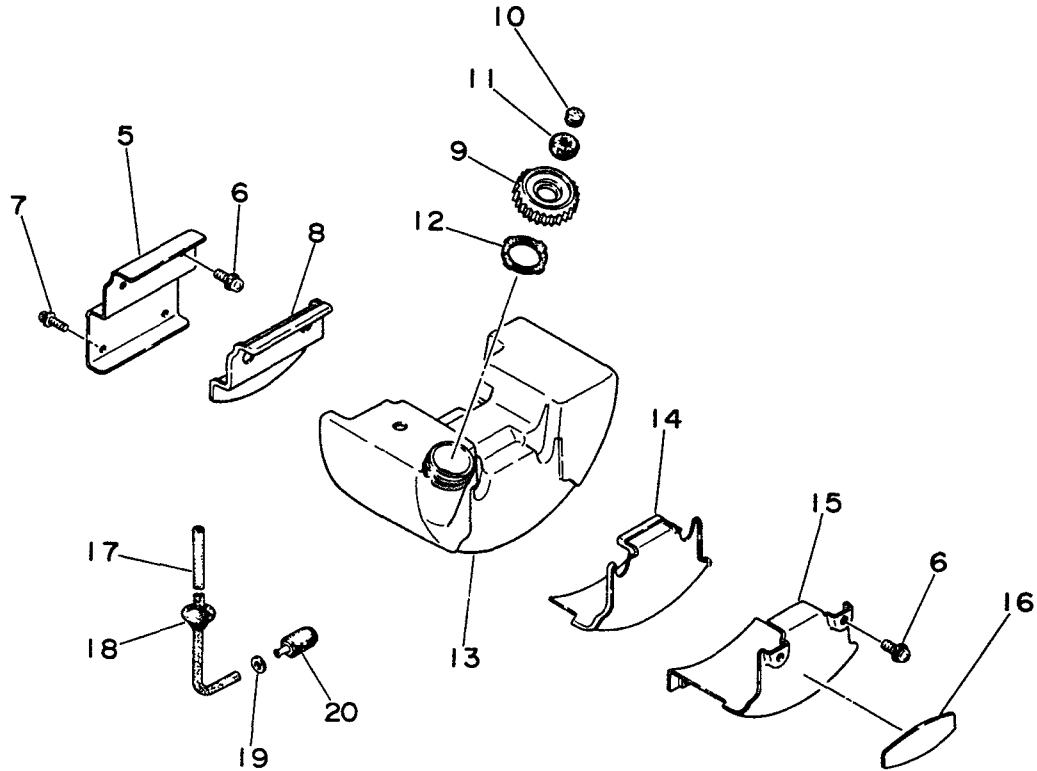
Key No.	Part Number	Q'ty	Description	Key No.	Part Number	Q'ty	Description
2-	5	1	On-Off switch	2-	29	1	Spring washer 8
	6	1	Bracket, switch		30	1	Flywheel
	7	1	Coil, ignition		35	1	Ratchet ass'y
	8	2	Screw 4x14		*	1	Starter ass'y
	9	1	Grommet		36	1	Screw 5x10
	10	1	Cap, spark plug		37	1	Washer
	11	1	Coil, plug cap		38	2	Screw 4x8
	12	1	Spark plug BM-6A		39	1	Pawl catcher
	13	1	Module CDI		40	1	Clip, rope
	14	2	Screw 4x22		41	1	Drum, starter
	15	1	Grommet		42	1	Rope, starter
	16	2	Spacer		43	1	Guide, rope
	17	1	Tube		44	1	Grip, starter
	19	1	Circlip 12		45	1	Bushing
	20	2	Ball bearing		46	1	Side plate
	21	1	Circlip 32		47	1	Rewind spring
	22	1	Drum, clutch		48	1	Side plate
	23	2	Bolt, clutch		49	1	Case, starter
	24	2	Washer		50	1	Decal, ECHO
	25	1	Spring, clutch		51	4	Screw 4x20
	26	2	Shoe, clutch				
	27	2	Washer	Remark: * Consists of 36 thru 49.			
	28	1	Boss, clutch	17	156611-24830	1	Cover tube



Key No.	Part Number	Q'ty	Description	Key No.	Part Number	Q'ty	Description
3-	4	1	Grommet	3-	* 145 803-2453 1	1	Muffler kit
	5	1	Gasket	17	-900 242-0501 4	1	Screw 5x14
	6	1	Insulator	21	-145 621-2483 1	1	Cover, muffler
	7	1	Gasket, carburetor	22	-900 242-0501 0	2	Screw 5x10
	8	1	Carburetor WA-141	23	-900 242-0400 8	3	Screw 4x8
	9	1	Case, air cleaner	24	-145 809-2273 0	1	Screen holder
	10	1	Grommet	25	-145 866-0672 0	1	Gasket, muffler lid
	11	2	Spacer	26	-145 862-0672 0	1	Screen
	12	1	Shutter, choke	27	-145 806-2453 0	1	Muffler
	13	1	Plate	28	-145 510-2483 0	1	Gasket, muffler
	14	2	Screw 5x60	29	101 014-0493 0	2	Stud, muffler
	15	1	Filter, air	30	433 020-0083 0	2	Lock nut 5
	16	1	Cover, air cleaner	31	900 603-0000 5	2	Washer 5
	17	2	Screw 5x14				
	18	1	Grommet				

Remarks: 9 Includes 10.

* Consists of 17 and 21 thru 28.

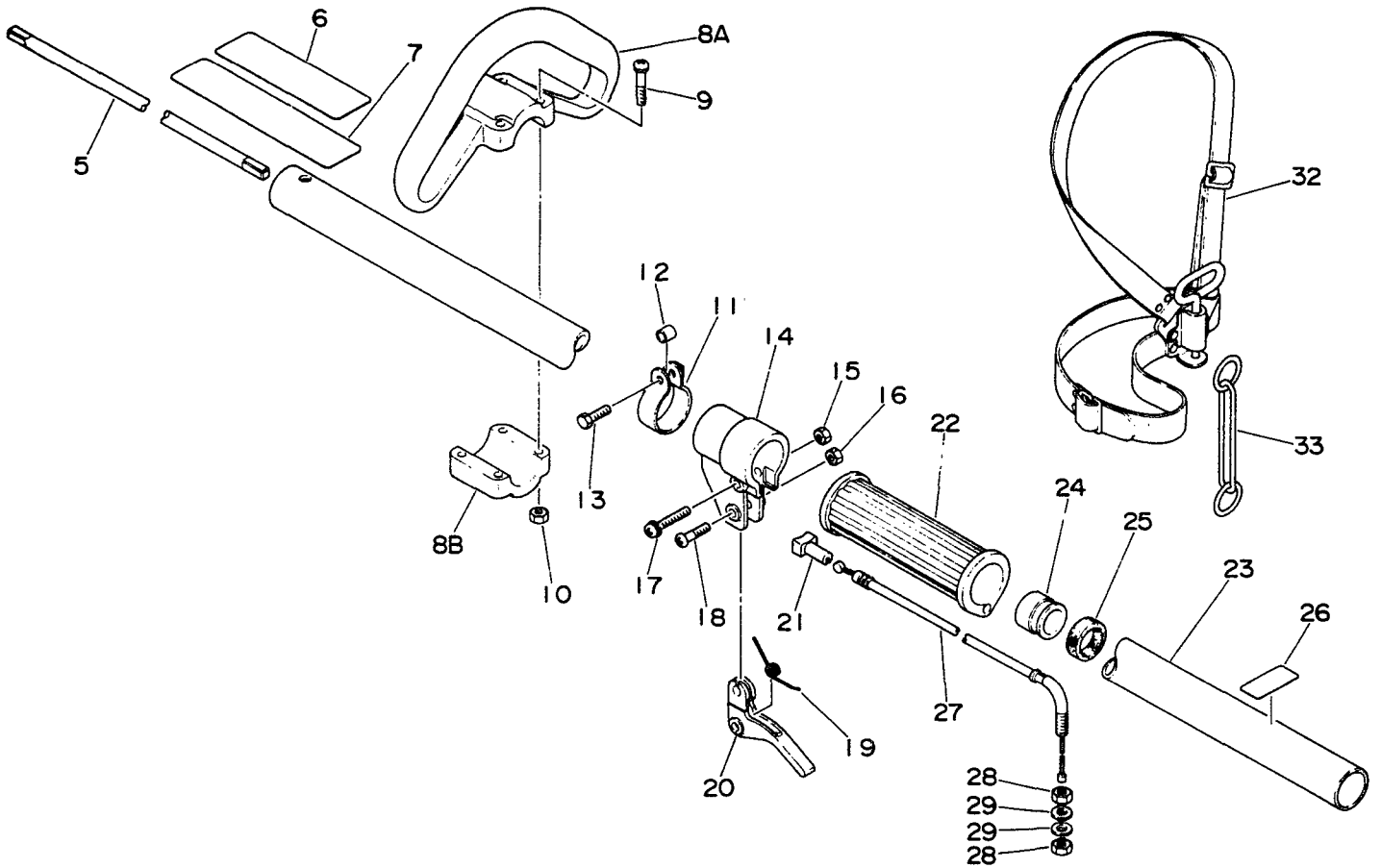


Key No.	Part Number	Q'ty	Description	Key No.	Part Number	Q'ty	Description
4- 5	131 910-2483 0	1	Bracket	4- 15	131 918-2483 0	1	Bracket
6	900 242-0501 4	4	Screw 5x14	16	890 118-2403 0	1	Decal, ECHO
7	900 242-0401 4	2	Screw 4x14	17	132 010-2483 0	1	Pipe, fuel
8	131 920-2483 0	1	Cushion	18	-132 115-0492 0	1	Grommet
9	131 004-0632 0	1	Cap ass'y	19	900 603-0000 5	1	Washer 5
10	-131 315-0502 0	1	Filter	20	131 200-2133 0	1	Fuel strainer
11	-131 314-0632 0	1	Check valve				
12	-131 016-0492 0	1	Gasket				
13	131 010-2483 1	1	Fuel tank				
14	131 924-2483 0	1	Cushion				

Remark: 9 Includes 10.

SRM-300AE

5

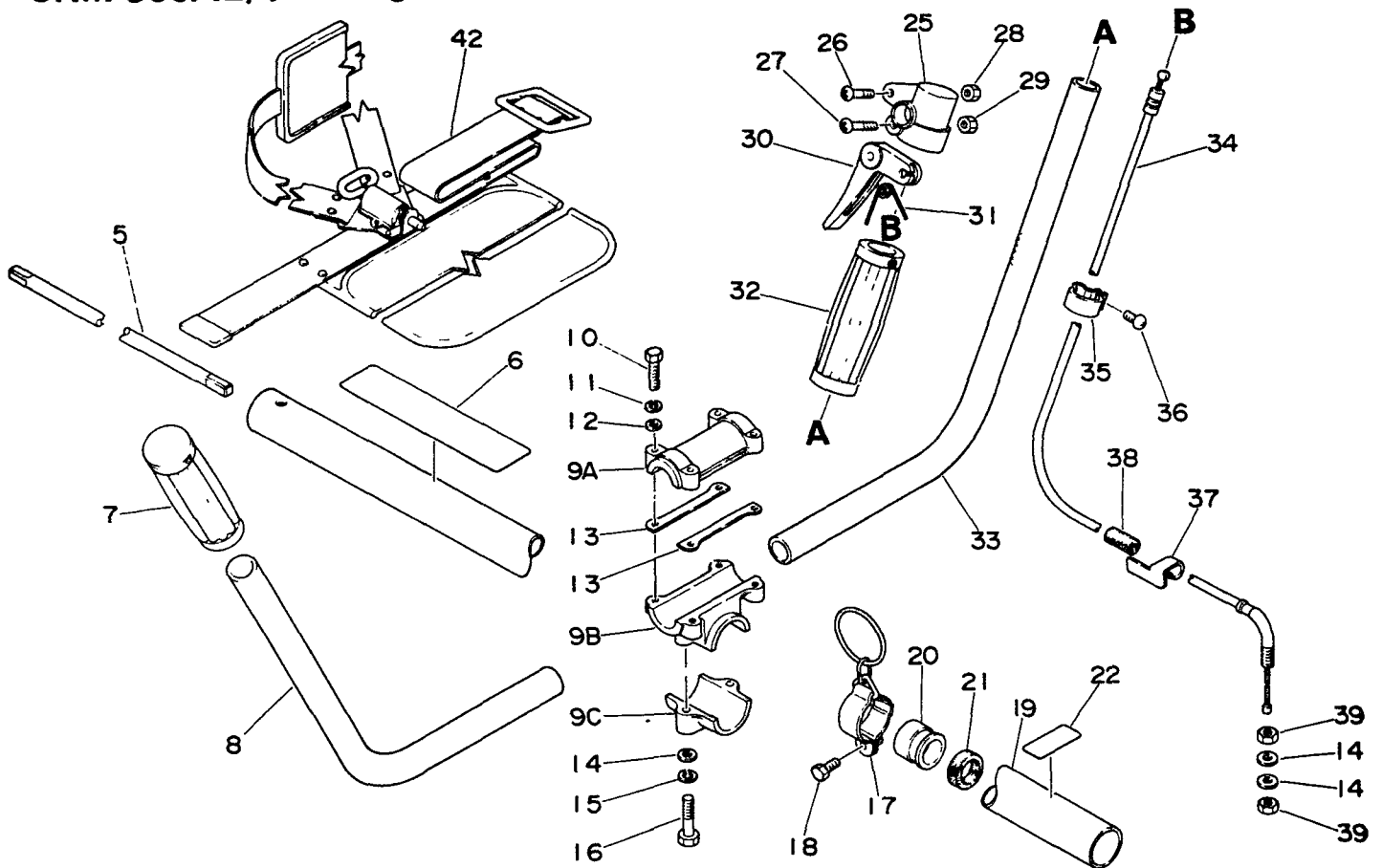


Key No.	Part Number	Q'ty	Description	Key No.	Part Number	Q'ty	Description
5-	5	1	Shaft, drive	5-	20	1	Throttle lever
	6	1	Decal	21	178 048-0563 0	1	Holder
	7	1	Decal, caution	22	351 012-0563 0	1	Grip
	8	1	Loop handle ass'y	23	610 206-0913 0	1	Housing ass'y
	9	4	Screw 5x35	24	-610 105-0493 0	5	Bush
	10	4	Nut 5	25	-610 112-0493 0	5	Ring
	11	1	Hook	26	890 152-0493 0	1	Decal, guide
	12	1	Spacer	27	178 001-2443 1	1	Cable, throttle
	13	1	Bolt 5x18	28	900 502-0000 6	2	Nut 3N 6
	14	1	Bracket, throttle	29	900 600-0000 6	2	Washer 6
	15	1	Nut 5	32	301 000-2433 0	1	Harness
	16	1	Lock nut 5	33	-301 305-2433 0	1	Link
	17	1	Screw 5x30				
	18	1	Screw				
	19	1	Spring, return				

Remarks: 8 Includes 9 and 10.
 23 Includes 24 and 25.
 32 Includes 33.

SRM-300AE/1

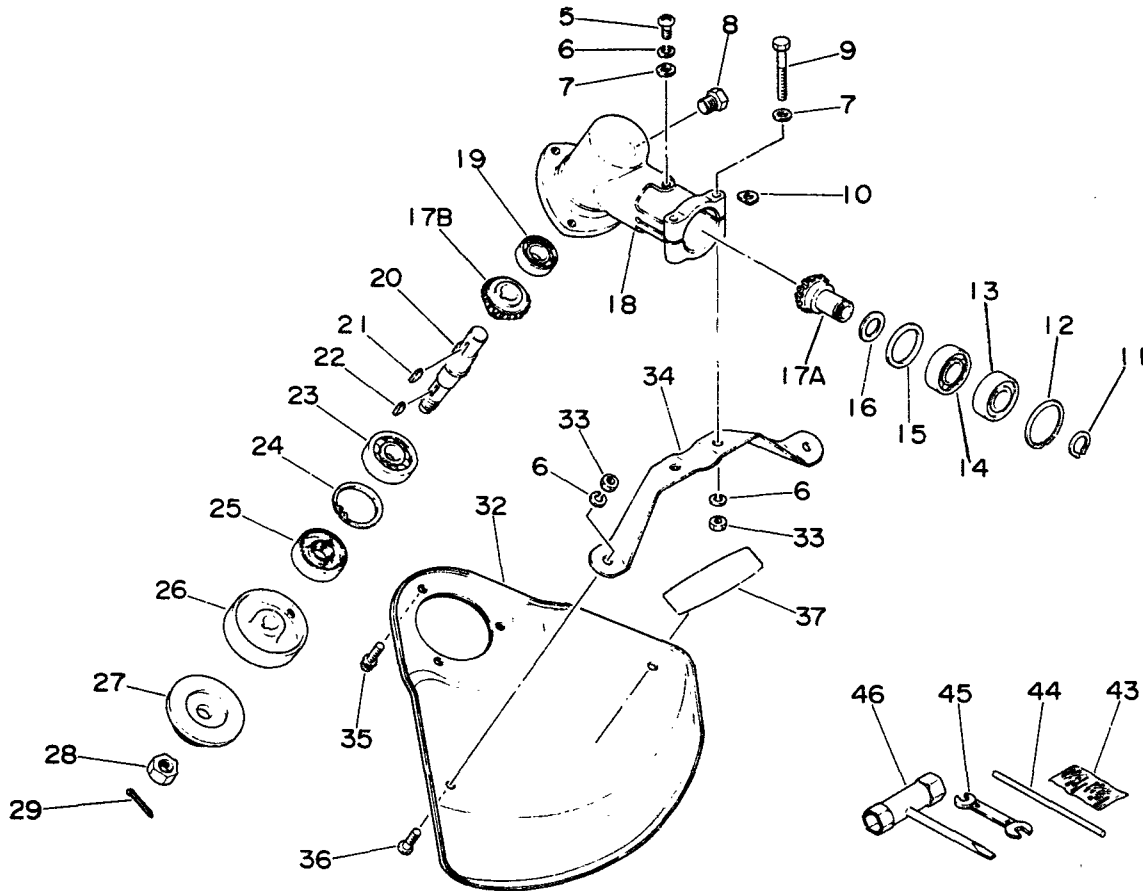
6



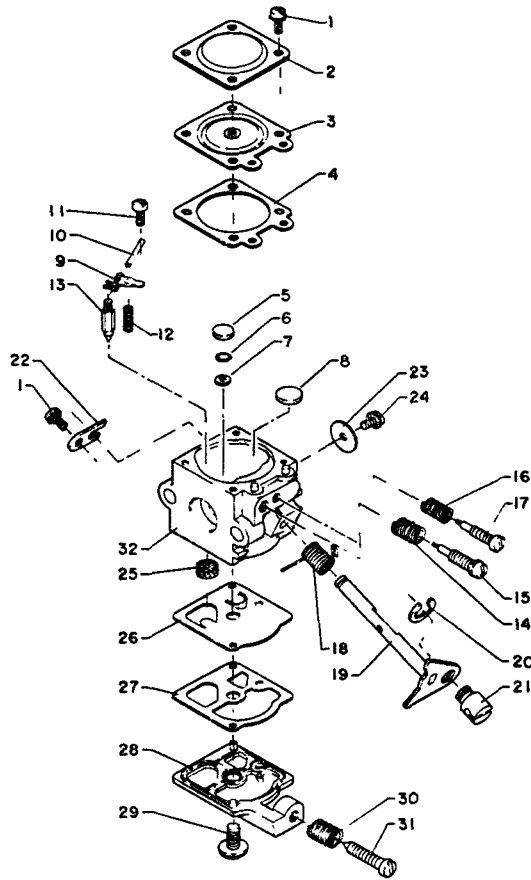
Key No.	Part Number	Q'ty	Description	Key No.	Part Number	Q'ty	Description
6-	5	1	Shaft, drive	6-	26	1	Screw
	6	1	Decal, caution	27	900 220-0502 5	1	Screw 5x25
	7	1	Handle grip	28	433 020-0083 0	1	Lock nut 5
	8	1	Handle, left	29	900 500-0000 5	1	Nut 5
	9	1	Bracket ass'y	30	178 010-0533 0	1	Throttle lever
	10	4	Bolt 5x25	31	178 043-0523 0	1	Spring, return
	11	4	Spring washer 5	32	351 315-0423 0	1	Grip, handle
	12	4	Washer 5	33	351 010-0553 0	1	Handle, rear
	13	2	Spacer	34	178 002-0913 1	1	Cable, throttle
	14	2	Washer 6	35	178 106-0533 0	1	Band
	15	2	Spring washer 6	36	900 220-0501 0	1	Screw 5x10
	16	2	Bolt 6x30	37	178 111-0493 0	1	Clip
	14	2	Washer 6	38	178 127-0493 0	1	Tube
	17	1	Hanger holder	39	900 502-0000 6	2	Nut 3N 6
	18	1	Bolt 5x12	42	301 001-0533 0	1	Strap ass'y
	19	1	Housing ass'y				
	20	5	Bush				
	21	5	Ring				
	22	1	Decal, guide				
	25	1	Bracket, throttle				

Remarks: 9 Includes 10 thru 16.

19 Includes 20 thru 21.



Key No.	Part Number	Q'ty	Description	Key No.	Part Number	Q'ty	Description
7- *	610 400-0753 0	1	Housing ass'y	7- 27	-610 314-0413 1	1	Plate, blade fixing
5	-900 220-0501 0	1	Screw 5x10	28	-900 511-0001 0	1	Nut 10 L-h
6	-900 605-0000 5	3	Spring washer 5	29	-900 300-2002 2	1	Split pin
7	-900 600-0000 5	3	Washer 5	33	-900 500-0000 5	2	Nut 5
8	-900 100-0800 8	1	Bolt 8x8	32	699 000-0753 1	1	Shield ass'y
9	-900 100-0504 0	2	Bolt 5x40	6	-900 605-0000 5	2	Spring washer 5
10	-610 239-0413 0	2	Shim washer	33	-900 500-0000 5	2	Nut 5
11	-900 701-0001 2	1	Circlip 12	34	-699 015-0753 0	1	Bracket, shield
12	-900 702-0002 8	1	Circlip 28	35	-900 242-0501 0	3	Screw 5x10
13	-900 801-0600 1	1	Ball bearing	36	-900 220-0500 8	2	Screw 5x8
14	-900 800-0600 1	1	Ball bearing	37	890 138-2403 0	1	Decal, ECHO
15	-610 316-0413 0	0-1	Spacer	43	898 502-0113 0	1	Split pin, 10 pcs
16	-610 317-0533 0	0-1	Spacer	44	897 518-0113 1	1	Fitting tool
17	-610 300-0533 1	1	Gear set	45	895 112-0033 0	1	Spanner 8x10
18	-610 410-0753 0	1	Housing, gear	46	895 410-0793 0	1	Box wrench
19	-900 800-0600 0	1	Ball bearing	OPTION	695 001-2143 0	1	Circular saw
20	-610 310-0533 0	1	Shaft, P.T.O.		696 001-2143 0	1	8-cutter blade
21	-100 131-0162 0	1	Key, woodruff				
22	-610 325-0273 0	1	Key				
23	-900 810-0620 1	1	Ball bearing				
24	-900 702-0003 2	1	Circlip 32				
25	-610 413-0533 0	1	Oil seal				
26	-610 313-0413 0	1	Plate, blade fixing				
				Remarks: * Consist of 5 thru 29 and 33.			
				32 Includes 6 and 33 thru 36.			



Key No.	Part Number	Q'ty	Description	Key No.	Part Number	Q'ty	Description
8- *	123 000-2443 0	1	Carburetor WA-141	8- 20	-123 127-1063 0	1	Retaining, spring
1	-123 130-0296 0	5	Screw	21	-123 172-0432 0	1	Swivel
2	-123 142-0393 0	1	Cover, M. diaphragm	22	-123 127-0393 0	1	Clip, throttle shaft
3	-123 141-0393 0	1	Diaphragm, metering	23	-123 116-1053 0	1	Valve, throttle
4	-123 140-0653 0	1	Gasket, M. diaphragm	24	-123 114-0393 0	1	Screw, thrt. valve
5	-123 145-1633 0	1	Plug, welch	25	-123 126-1063 1	1	Screen, inlet
6	-123 169-1063 0	1	Ring, retaining	26	-123 112-1503 0	1	Pump diaphragm
7	-123 168-1063 1	1	Screen	27	-123 125-1503 0	1	Gasket, pump
8	-123 146-1063 0	1	Plug, welch	28	-123 124-2443 0	1	Cover, fuel pump
9	-123 123-0393 0	1	Lever, metering	29	-123 110-0393 0	1	Screw, pump cover
10	-123 138-0393 0	1	Pin, metering lever	30	-123 133-0632 0	1	Spring, idle adjust
11	-123 139-0393 0	1	Screw, M. lever pin	31	-123 134-0632 0	1	Screw, idle adjust
12	-123 122-1113 0	1	Spring, meter. lever	32	-Un available	1	Body
13	-123 137-0393 0	1	Valve, inlet needle				
14	-123 119-0393 0	1	Spring, needle				
15	-123 120-0076 0	1	Needle, high speed				
16	-123 121-0393 0	1	Spring, needle				
17	-123 118-2443 0	1	Needle, idle				
18	-123 113-1503 0	1	Spring, thrt. return				
19	-123 117-0502 0	1	Shaft, throttle				
				Part Number	Description		Key Number
				123 103-1503 0	Kit. gasket/diaphragm		3, 4, 26, 27
				123 102-1633 0	Kit. kwik repair		3, 4, 9~13 25~27

Remark: * Consist of 1 thru 32.