



---

**PARTS CATALOG**

**SOUTH AMERICA  
CLEARING SAW**

**CLS-5800**

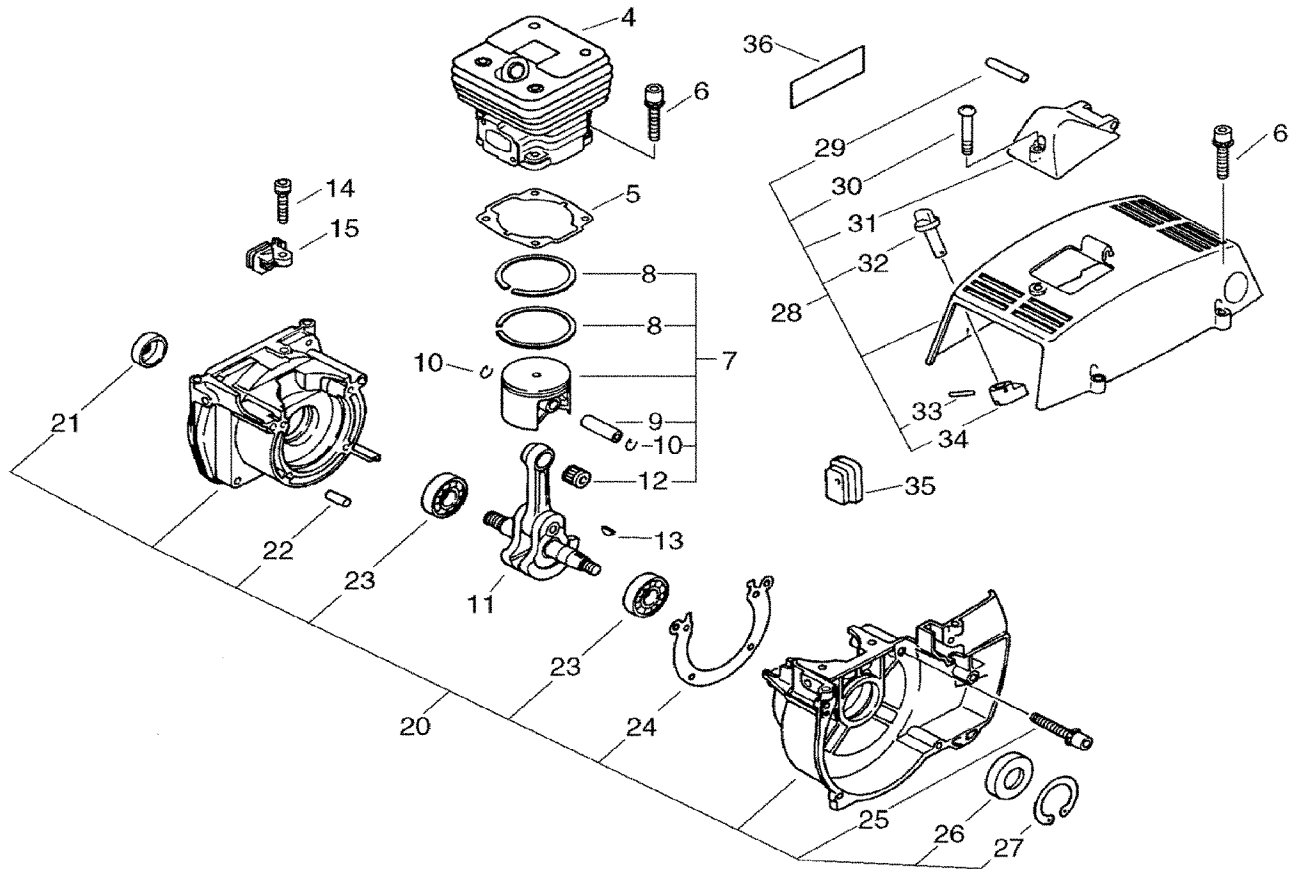
**CLS-5810**

**ECHO, INCORPORATED**

400 OAKWOOD ROAD  
LAKE ZURICH, ILLINOIS 60047  
[WWW.ECHO-USA.COM](http://WWW.ECHO-USA.COM)

**CLS-5800  
CLS-5810**

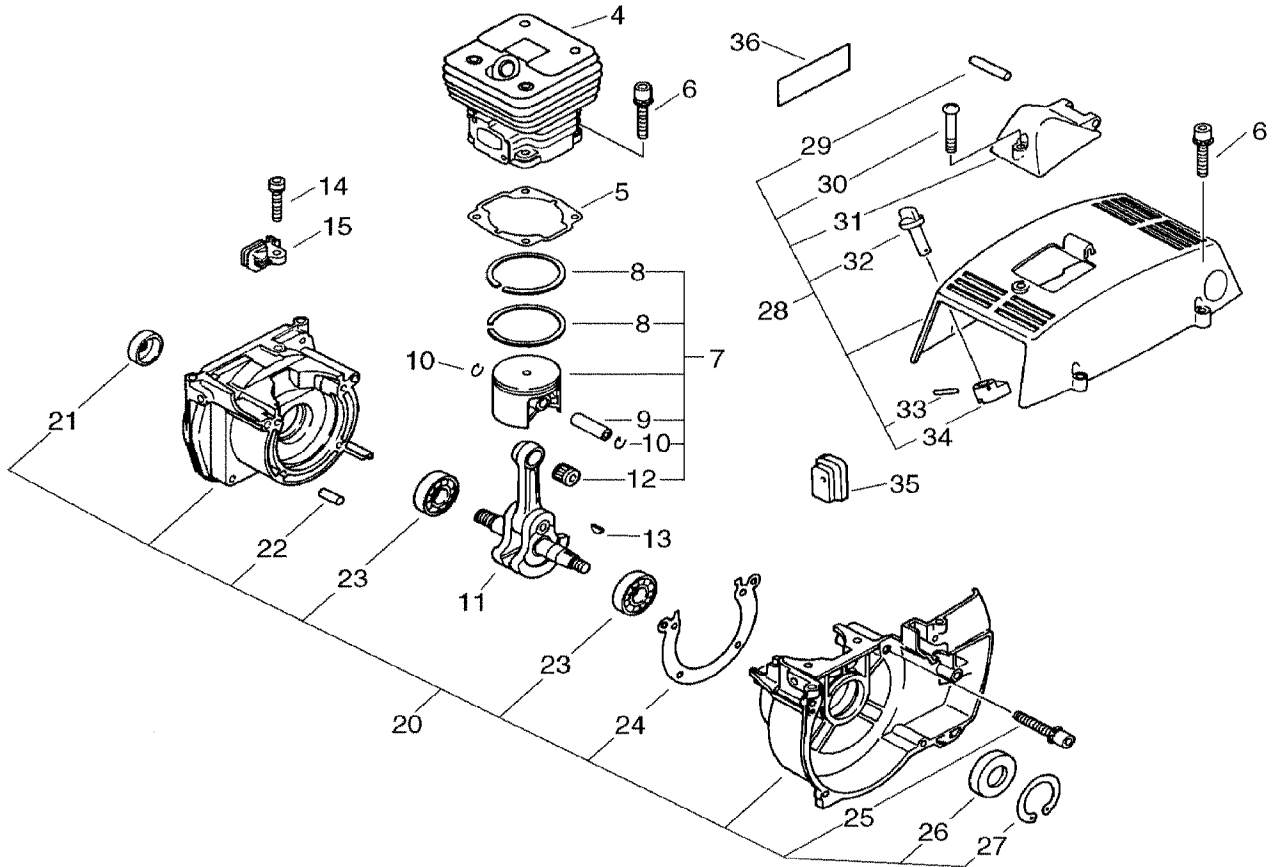
**1 Cylinder, Crankcase, Piston**



| KEY | LV | PART NUMBER  | Q'TY | DESCRIPTION           | REMARKS |
|-----|----|--------------|------|-----------------------|---------|
| 4   |    | 101011-54430 | 1    | CYLINDER              |         |
| 5   |    | 101010-54430 | 1    | GASKET, CYL. BASE     |         |
| 6   |    | 900162-05022 | 8    | BOLT, H.S. 5*22       |         |
| 7   |    | 100000-54430 | 1    | PISTON KIT            |         |
| 8   | +  | 100011-32330 | 2    | RING, PISTON          |         |
| 9   | +  | 100013-54430 | 1    | PIN, PISTON           |         |
| 10  | +  | 100015-00120 | 2    | CIRCLIP, PISTON PIN   |         |
| 12  | +  | 100012-12331 | 1    | BEARING, NEEDLE       |         |
| 11  |    | 100100-54432 | 1    | CRANKSHAFT            |         |
| 13  |    | 900323-03014 | 1    | KEY WOODRUFF          |         |
| 14  |    | 900105-05016 | 1    | BOLT, H.S. 5*16       |         |
| 15  |    | 178112-54430 | 1    | HOLDER, THROTTLE WIRE |         |
| 20  |    | 100204-54430 | 1    | CRANKCASE KIT         |         |
| 21  | +  | 100212-19830 | 1    | OILSEAL               |         |
| 22  | +  | 100215-03930 | 2    | PIN, DOWEL            |         |
| 23  | +  | 900810-36202 | 2    | BEARING, BALL 6202    |         |
| 24  | +  | 100242-54430 | 1    | GASKET, CRANKCASE     |         |
| 25  | +  | 900162-05035 | 4    | BOLT, H.S. 5*35       |         |
| 26  | +  | 100213-02830 | 1    | OILSEAL               |         |
| 27  | +  | 900702-00035 | 1    | CIRCLIP 35            |         |
| 28  |    | 101501-54531 | 1    | COVER, CYLINDER       |         |
| 29  | +  | 900330-40298 | 1    | PIN 4*29.8            |         |
| 30  | +  | 163890-38330 | 1    | BOLT, 5               |         |
| 31  | +  | 159015-54430 | 1    | COVER, PLUG CAP       |         |

**CLS-5800**  
**CLS-5810**

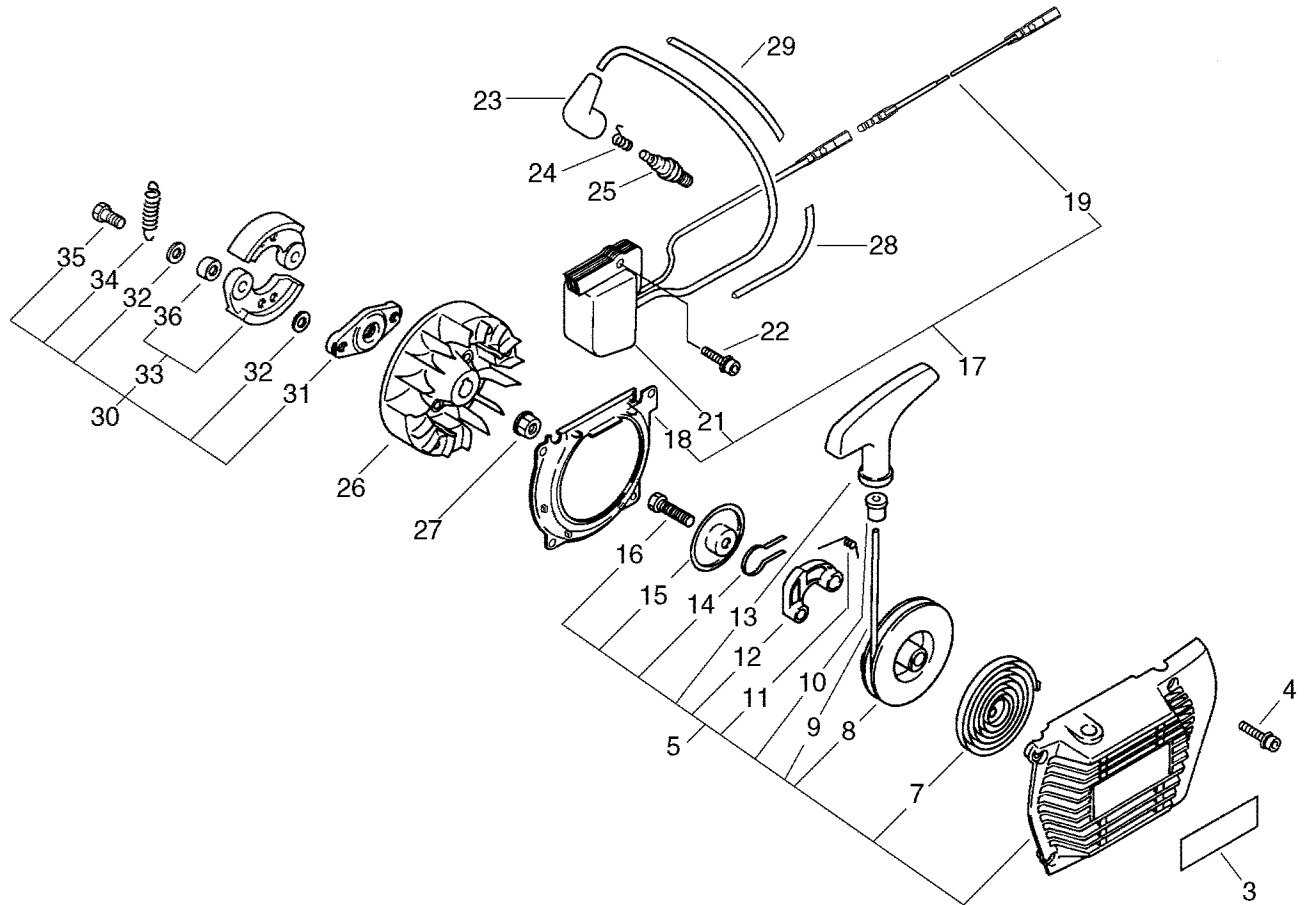
**1 Cylinder, Crankcase, Piston**



| KEY | LV | PART NUMBER  | Q'TY | DESCRIPTION      | REMARKS |
|-----|----|--------------|------|------------------|---------|
| 32  | +  | 178510-54430 | 1    | ROD, CHOKE       |         |
| 33  | +  | 900342-20010 | 1    | PIN, SPRING 2*10 |         |
| 34  | +  | 178522-54430 | 1    | END, LEVER       |         |
| 35  |    | 178215-54430 | 1    | GROMMET          |         |
| 36  |    | 890112-54430 | 1    | LABEL, MODEL     |         |

**CLS-5800**  
**CLS-5810**

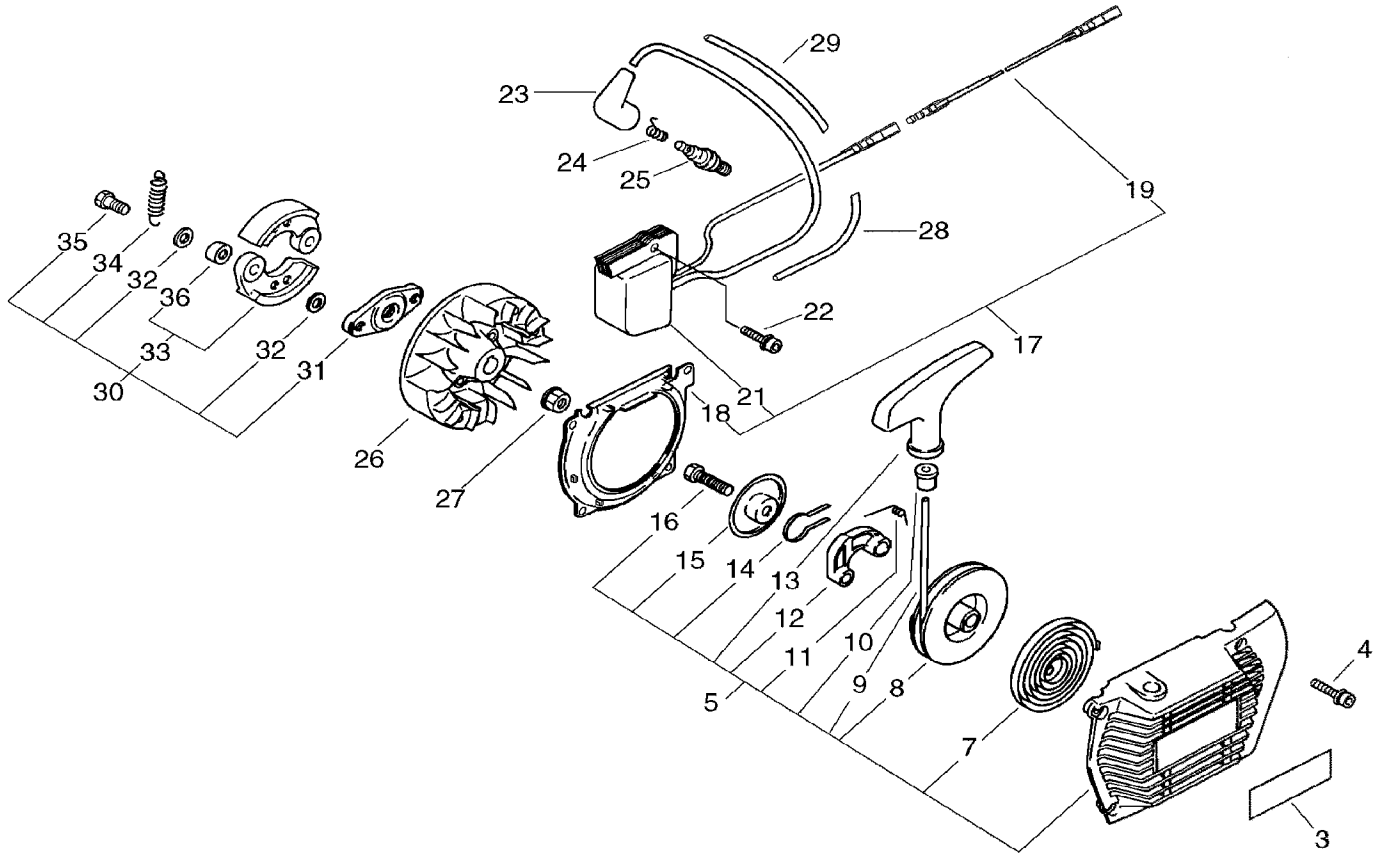
**2 Starter, Magneto**



| KEY | LV | PART NUMBER  | Q'TY | DESCRIPTION          | REMARKS |
|-----|----|--------------|------|----------------------|---------|
| 3   |    | 890118-54430 | 1    | LABEL, ECHO          |         |
| 4   |    | 900162-05022 | 4    | BOLT, H.S. 5*22      |         |
| 5   |    | 177200-54431 | 1    | STARTER ASY          |         |
| 7   | +  | 177220-00220 | 1    | SPRING, REWIND       |         |
| 8   | +  | 177215-06230 | 1    | DRUM, STARTER        |         |
| 9   | +  | 177226-06230 | 1    | ROPE, STARTER        |         |
| 10  | +  | 177227-05530 | 1    | GUIDE, ROPE          |         |
| 11  | +  | 177234-54430 | 1    | SPRING, RETURN       |         |
| 12  | +  | 177218-54430 | 1    | PAWL, STARTER        |         |
| 13  | +  | 177228-11120 | 1    | GRIP, STARTER        |         |
| 14  | +  | 177233-54430 | 1    | SPRING, FRICTION     |         |
| 15  | +  | 177211-06230 | 1    | PLATE, FRICTION      |         |
| 16  | +  | 900100-06012 | 1    | BOLT 6*12            |         |
| 17  |    | P021-002590  | 1    | IGNITION/F.COVER KIT |         |
| 18  | +  | 101511-54431 | 1    | COVER, FAN           |         |
| 19  | +  | V485-000160  | 1    | LEAD                 |         |
| 21  | +  | A411-000060  | 1    | COIL,IGNITION        |         |
| 22  |    | 900162-05022 | 2    | BOLT, H.S. 5*22      |         |
| 23  |    | 159012-01620 | 1    | CAP, SPARK PLUG      |         |
| 24  |    | 159011-03432 | 1    | COIL, SPARK PLUG CAP |         |
| 25  |    | 159010-10230 | 1    | PLUG, SPARK (BPMR-7A |         |
| 26  |    | 156801-54430 | 1    | FLYWHEEL             |         |
| 27  |    | 900517-00010 | 1    | NUT                  |         |
| 28  |    | 156111-54431 | 1    | TUBE                 |         |

**CLS-5800**  
**CLS-5810**

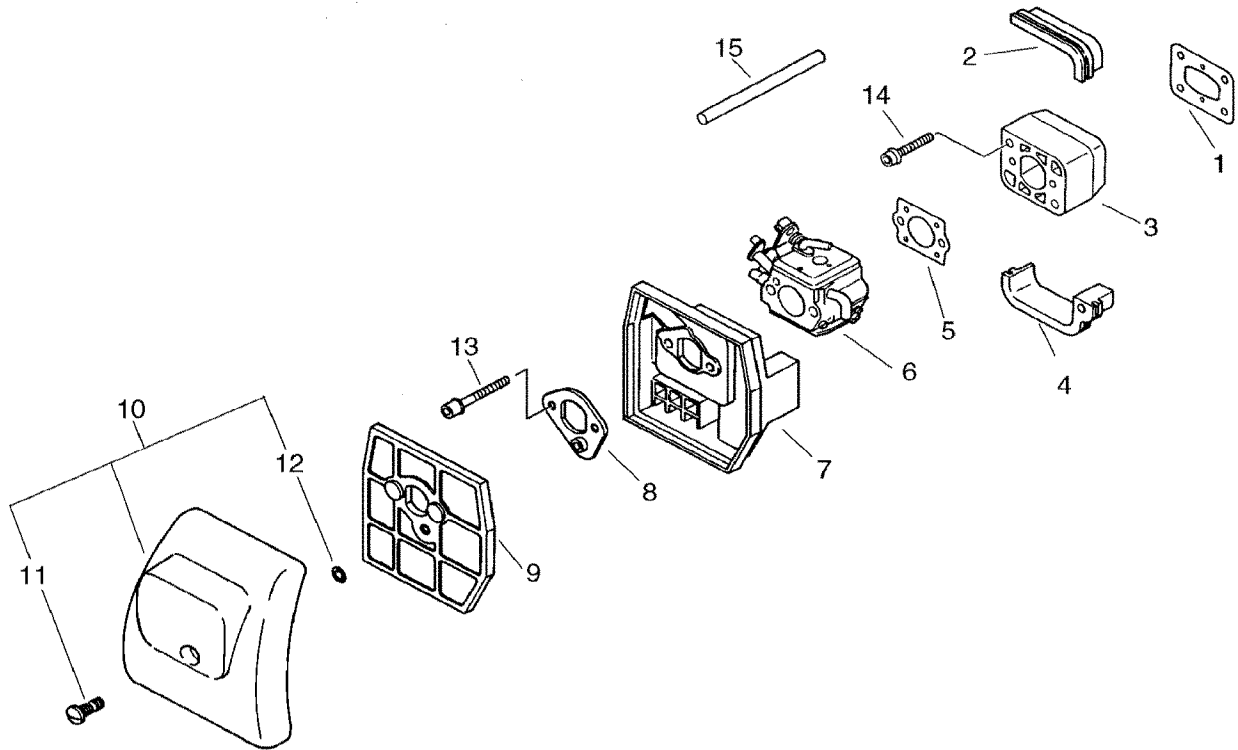
**2 Starter, Magneto**



| KEY | LV | PART NUMBER  | Q'TY | DESCRIPTION    | REMARKS |
|-----|----|--------------|------|----------------|---------|
| 29  |    | 150623-16130 | 1    | TUBE           |         |
| 30  |    | 175000-54431 | 1    | CLUTCH ASY     |         |
| 31  | +  | 175016-54430 | 1    | HUB, CLUTCH    |         |
| 32  | +  | 175014-11231 | 4    | WASHER, CLUTCH |         |
| 33  | +  | 175009-54430 | 2    | SHOE, CLUTCH   |         |
| 36  | ++ | 175030-54430 | 2    | METAL          |         |
| 34  | +  | 175018-54430 | 1    | SPRING, CLUTCH |         |
| 35  | +  | 175046-54430 | 2    | SHAFT, CLUTCH  |         |

**CLS-5800**  
**CLS-5810**

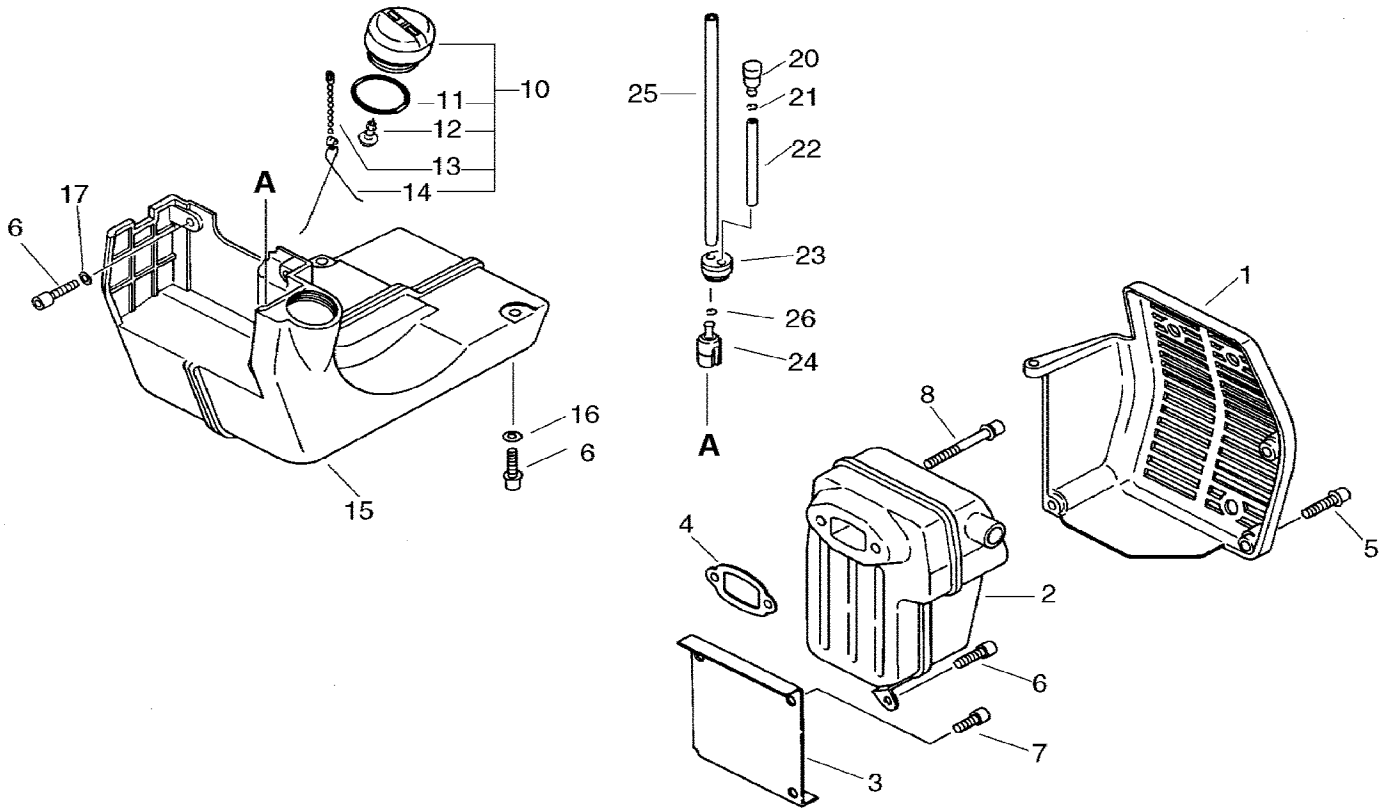
**3 Air Cleaner, Carburettor**



| KEY | LV | PART NUMBER  | Q'TY | DESCRIPTION          | REMARKS |
|-----|----|--------------|------|----------------------|---------|
| 1   |    | 130010-54430 | 1    | GASKET, INTAKE       |         |
| 2   |    | 130038-54430 | 1    | SEAL                 |         |
| 3   |    | 130007-54430 | 1    | INSULATOR            |         |
| 4   |    | 130012-54430 | 1    | SEAL                 |         |
| 5   |    | 130016-54430 | 1    | GASKET, INTAKE       |         |
| 6   |    | 125200-54432 | 1    | CARBURETOR           |         |
| 7   |    | 130314-54430 | 1    | CASE, CLEANER        |         |
| 8   |    | 130420-54430 | 1    | BRACKET, AIR CLEANER |         |
| 9   |    | 130310-54430 | 1    | FILTER, AIR          |         |
| 10  |    | 130302-54430 | 1    | COVER ASY, AIR CLN.  |         |
| 11  | +  | 130415-40630 | 1    | SCREW                |         |
| 12  | +  | 900720-00004 | 1    | O-RING (P-4)         |         |
| 13  |    | 900105-05055 | 2    | BOLT, H.S. 5*55      |         |
| 14  |    | 900162-05030 | 2    | BOLT, H.S. 5*30      |         |
| 15  |    | 130110-54430 | 1    | PIPE, IMPULSE        |         |

**CLS-5800  
CLS-5810**

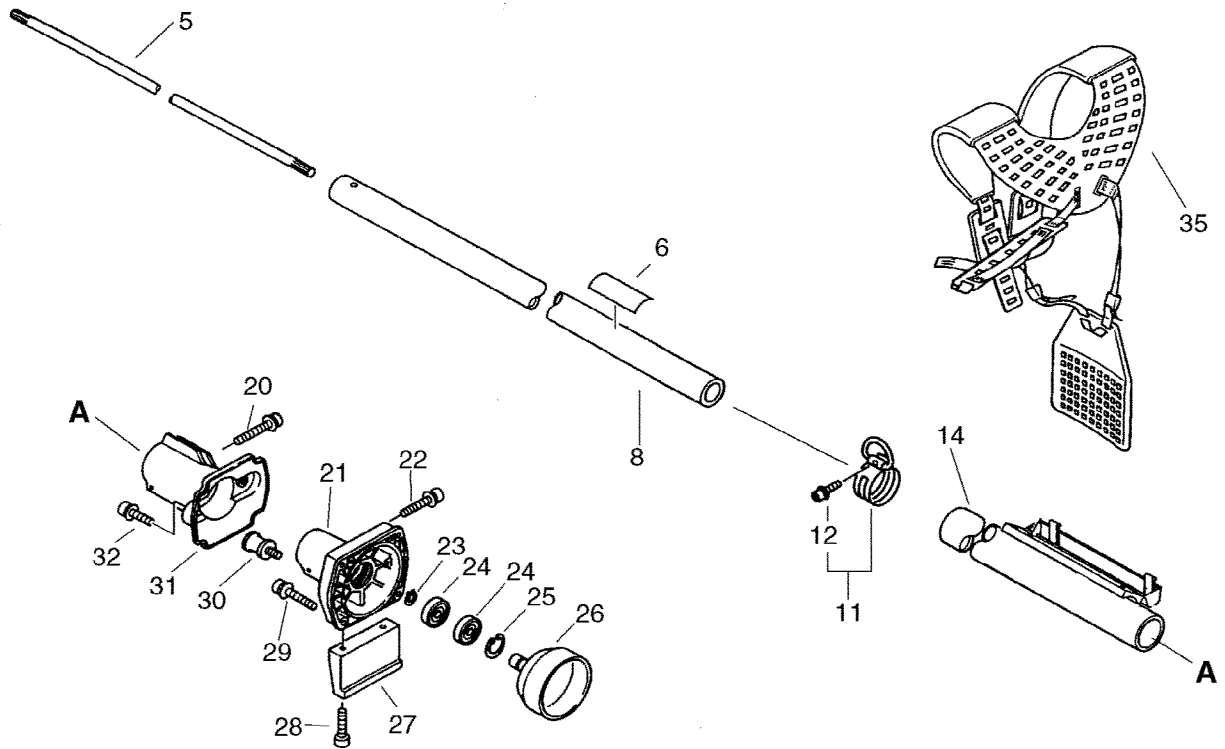
**4 Muffler, Fuel Tank**



| KEY | LV | PART NUMBER  | Q'TY | DESCRIPTION        | REMARKS |
|-----|----|--------------|------|--------------------|---------|
| 1   |    | 145906-54430 | 1    | COVER, MUFFLER     |         |
| 2   |    | 145610-54430 | 1    | MUFFLER            |         |
| 3   |    | 145910-54430 | 1    | INSULATOR, MUFFLER |         |
| 4   |    | 145510-54430 | 1    | GASKET, MUFFLER    |         |
| 5   |    | 900162-05018 | 3    | BOLT, H.S. 5*18    |         |
| 6   |    | 900105-05016 | 7    | BOLT, H.S. 5*16    |         |
| 7   |    | 900105-05010 | 2    | BOLT, H.S. 5*10    |         |
| 8   |    | 900162-05075 | 2    | BOLT, H.S. 5*75    |         |
| 10  |    | 131004-16432 | 1    | CAP ASY, FUEL      |         |
| 11  | +  | 900720-00032 | 1    | O-RING 32          |         |
| 12  | +  | 900246-03008 | 1    | SCREW 3*8          |         |
| 13  | +  | 131023-14730 | 1    | CHAIN, BALL        |         |
| 14  | +  | 131042-14730 | 1    | SPRING, CLOSS      |         |
| 15  |    | 131005-54430 | 1    | TANK, FUEL         |         |
| 16  |    | 130031-10230 | 2    | WASHER             |         |
| 17  |    | 900600-00005 | 4    | WASHER 5           |         |
| 20  |    | 131300-56430 | 1    | VALVE, CHECK       |         |
| 21  |    | 132013-09820 | 1    | CLIP               |         |
| 22  |    | 132010-02960 | 1    | PIPE, FUEL         |         |
| 23  |    | 132115-44330 | 1    | GROMMET            |         |
| 24  |    | 131205-19830 | 1    | STRAINER, FUEL     |         |
| 25  |    | 132010-54430 | 1    | PIPE               |         |
| 26  |    | 132013-26630 | 1    | CLIP               |         |

**CLS-5800**  
**CLS-5810**

**5 Pipe, Harness**

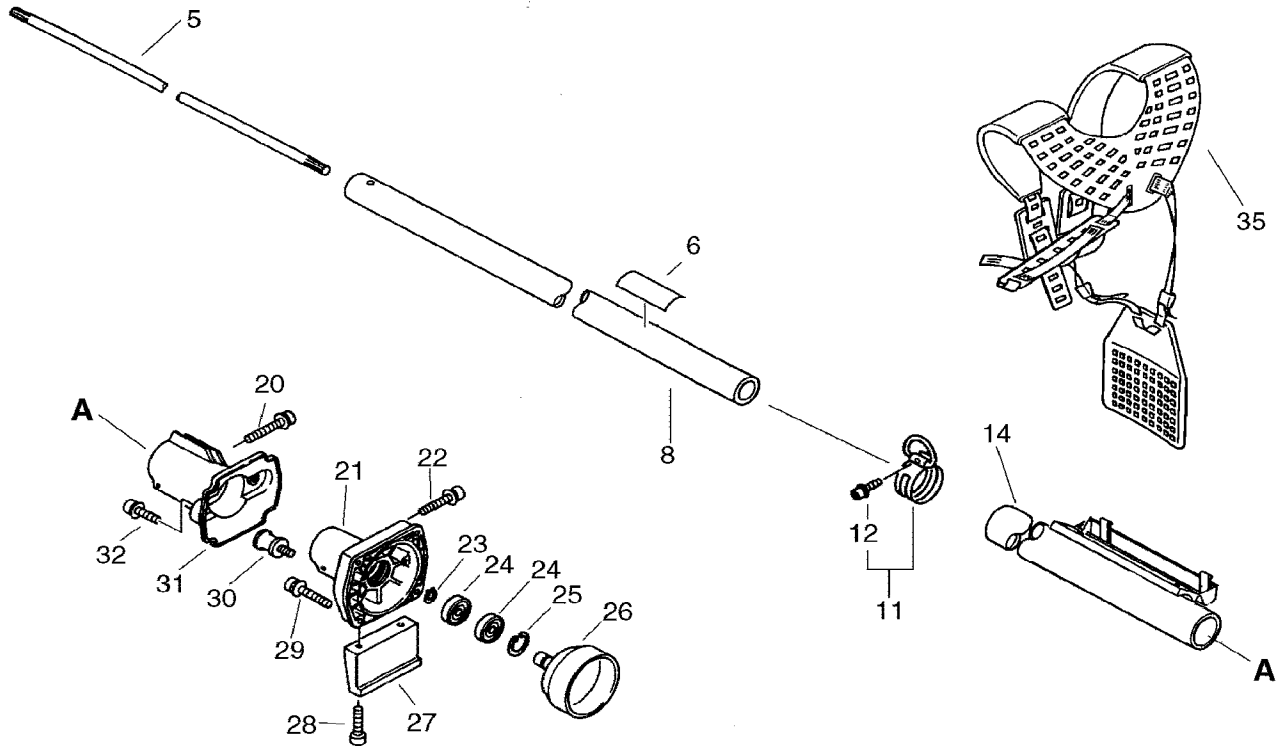


| KEY | LV | PART NUMBER  | Q'TY | DESCRIPTION          | REMARKS |
|-----|----|--------------|------|----------------------|---------|
| 6   |    | 890617-43130 | 1    | LABEL, CAUTION       |         |
| 11  |    | 301205-47531 | 1    | H00K                 |         |
| 12  | +  | 900162-05020 | 1    | BOLT, H.S. 5*20      |         |
| 20  |    | 900162-05035 | 2    | BOLT, H.S. 5*35      |         |
| 21  |    | 610223-54430 | 1    | FLANGE, D.S. HOUSING |         |
| 22  |    | 900162-05030 | 2    | BOLT, H.S. 5*30      |         |
| 23  |    | 900701-00015 | 1    | CIRCLIP 15           |         |
| 24  |    | 900819-06202 | 2    | BEARING, BALL 6202   |         |
| 25  |    | 900702-00035 | 1    | CIRCLIP 35           |         |
| 26  |    | 175005-54430 | 1    | DRUM, CLUTCH         |         |
| 27  |    | 305110-54430 | 1    | STAND                |         |
| 28  |    | 900162-05020 | 2    | BOLT, H.S. 5*20      |         |
| 29  |    | 900162-05025 | 4    | BOLT, H.S. 5*25      |         |
| 30  |    | 100905-51530 | 2    | CUSHION              |         |
| 31  |    | 610922-54430 | 1    | HOLDER               |         |
| 32  |    | 900162-05014 | 2    | BOLT, H.S. 5*14      |         |
| 35  |    | 301000-51530 | 1    | HARNESS, SHOULDER    |         |



**CLS-5800**  
**CLS-5810**

**5 Pipe, Harness**



| KEY | LV | PART NUMBER | Q'TY | DESCRIPTION | REMARKS |
|-----|----|-------------|------|-------------|---------|
|-----|----|-------------|------|-------------|---------|

**CLS-5800**

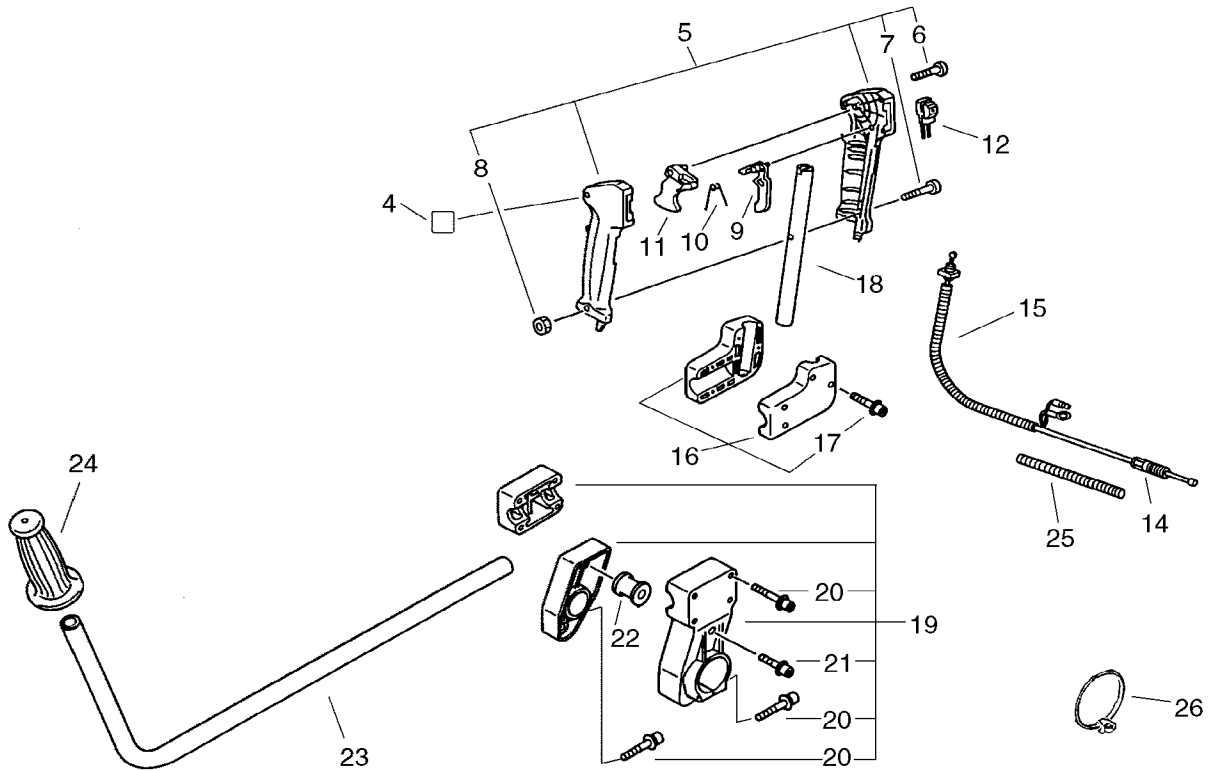
|    |  |              |   |                     |  |
|----|--|--------------|---|---------------------|--|
| 5  |  | 610011-47530 | 1 | SHAFT, DRIVE        |  |
| 8  |  | 610206-47531 | 1 | HOUSING ASY, D.SHFT |  |
| 14 |  | 610603-54530 | 1 | PIPE W/CABLE GUIDE  |  |

**CLS-5810**

|    |  |              |   |                     |  |
|----|--|--------------|---|---------------------|--|
| 5  |  | 610011-51530 | 1 | SHAFT, DRIVE        |  |
| 8  |  | 610206-51531 | 1 | HOUSING ASY, D.SHFT |  |
| 14 |  | 610603-54430 | 1 | PIPE W/CABLE GUIDE  |  |

**CLS-5800  
CLS-5810**

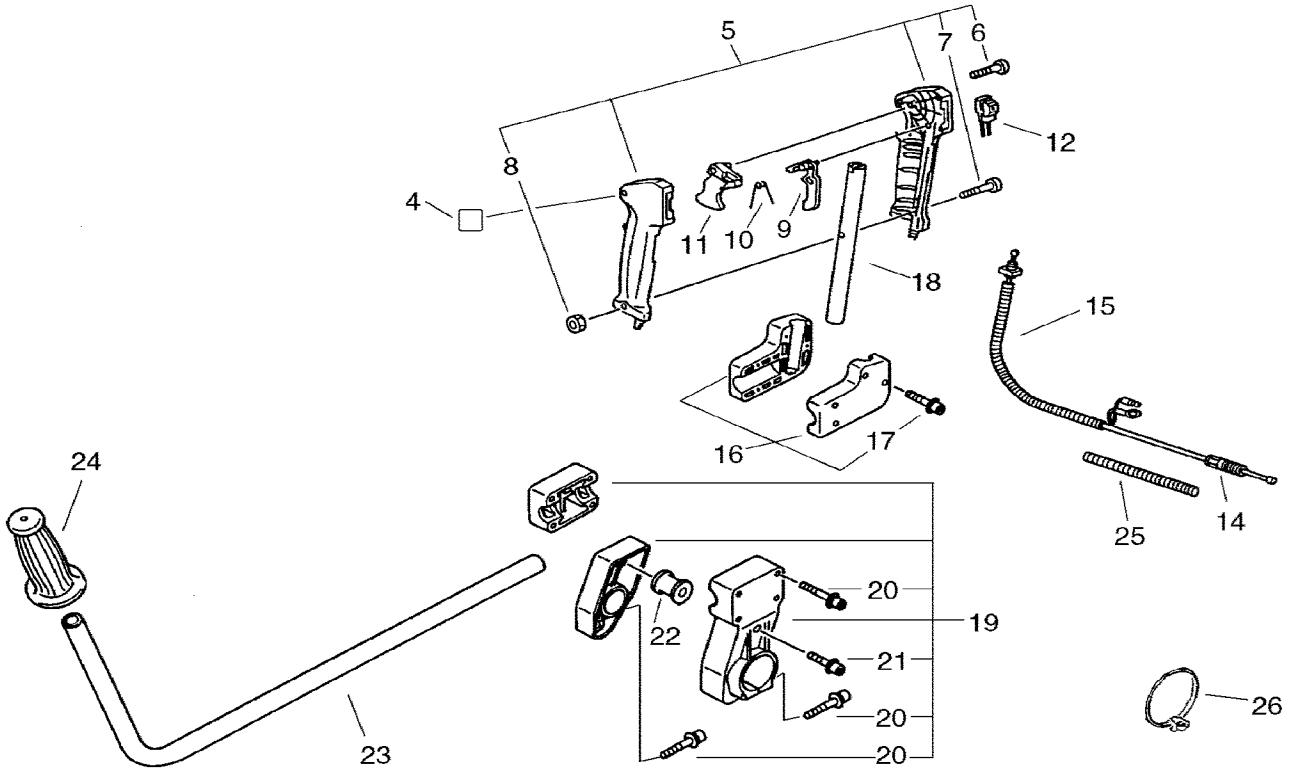
**6 Handle**



| KEY | LV | PART NUMBER  | Q'TY | DESCRIPTION        | REMARKS |
|-----|----|--------------|------|--------------------|---------|
| 4   |    | 890157-39130 | 1    | LABEL, SWITCH      |         |
| 5   |    | 351102-47530 | 1    | GRIP ASY, F-HANDLE |         |
| 6   | +  | 900246-03025 | 4    | SCREW 3*25         |         |
| 7   | +  | 900220-05030 | 1    | SCREW 5*30         |         |
| 8   | +  | 900500-00005 | 1    | NUT 5              |         |
| 9   |    | 178012-05960 | 1    | LOCKOUT, THROTTLE  |         |
| 10  |    | 178013-35631 | 1    | SPRING, THR. LOCK  |         |
| 11  |    | 178010-05960 | 1    | CONTROL, THROTTLE  |         |
| 12  |    | 163401-54530 | 1    | SWITCH, IGNITION   |         |
| 14  |    | 178001-54531 | 1    | WIRE, THROTTLE     |         |
| 15  |    | 178127-54530 | 1    | TUBE 7*10*130      |         |
| 16  |    | 351302-47530 | 1    | BRACKET, HANDLE    |         |
| 17  | +  | 900162-05025 | 4    | BOLT, H.S. 5*25    |         |
| 18  |    | 351210-47530 | 1    | HANDLE, REAR       |         |
| 19  |    | 351301-47531 | 1    | BRACKET, HANDLE    |         |
| 20  | +  | 900162-05035 | 6    | BOLT, H.S. 5*35    |         |
| 21  | +  | 900162-05014 | 2    | BOLT, H.S. 5*14    |         |
| 22  |    | 100905-51530 | 2    | CUSHION            |         |
| 24  |    | 351213-47530 | 1    | GRIP               |         |
| 25  |    | 178127-54430 | 1    | TUBE               |         |
| 26  |    | V495-000000  | 2    | BAND               |         |

**CLS-5800**  
**CLS-5810**

**6 Handle**



| KEY | LV | PART NUMBER | Q'TY | DESCRIPTION | REMARKS |
|-----|----|-------------|------|-------------|---------|
|-----|----|-------------|------|-------------|---------|

**CLS-5800**

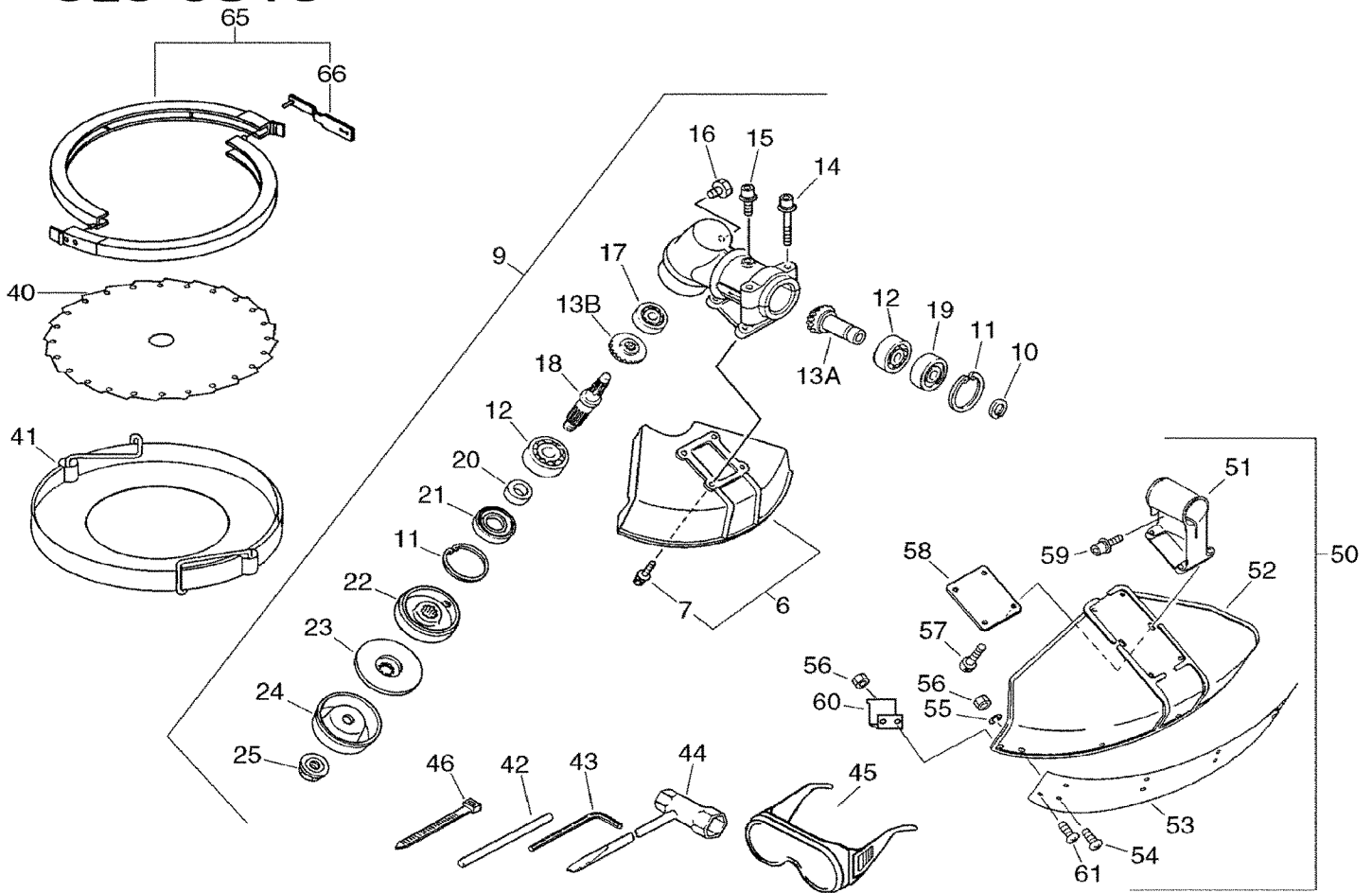
23 351110-47530 1 HANDLE, FRONT

**CLS-5810**

23 351110-54430 1 HANDLE, FRONT

**CLS-5800**  
**CLS-5810**

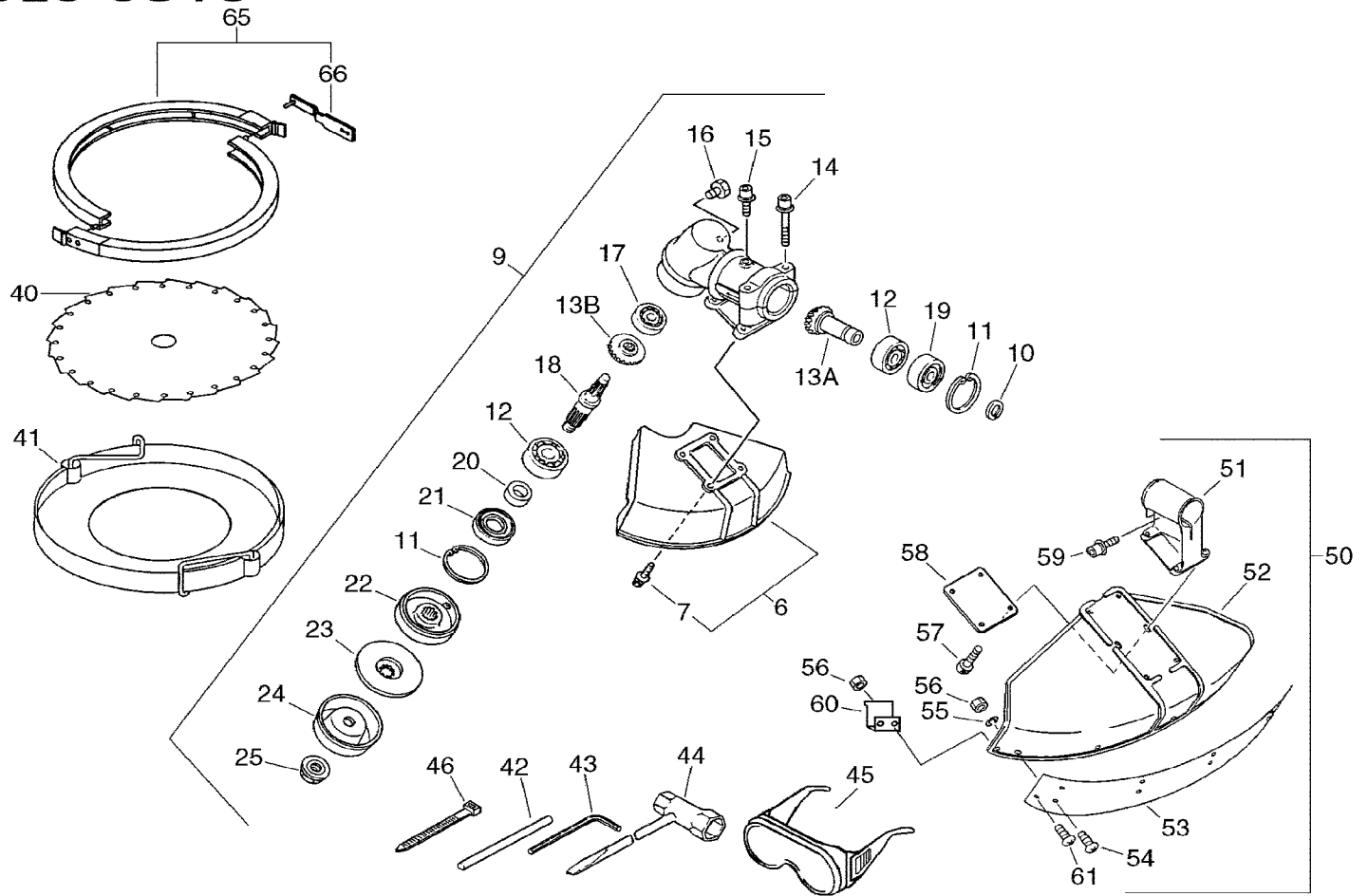
**7 Gear Case, Blade Shield, Tools**



| KEY | LV | PART NUMBER  | Q'TY | DESCRIPTION         | REMARKS |
|-----|----|--------------|------|---------------------|---------|
| 9   |    | 610400-51530 | 1    | HOUSING ASY, GEAR   |         |
| 10  | +  | 900701-00015 | 1    | CIRCLIP 15          |         |
| 11  | +  | 900702-00035 | 2    | CIRCLIP 35          |         |
| 12  | +  | 900810-06202 | 2    | BEARING, BALL 6202  |         |
| 13  | +  | 610300-47530 | 1    | GEAR SET            |         |
| 14  | +  | 900162-05035 | 2    | BOLT, H.S. 5*35     |         |
| 15  | +  | 900162-05014 | 1    | BOLT, H.S. 5*14     |         |
| 16  | +  | 610434-50030 | 1    | BOLT 8* 6           |         |
| 17  | +  | 900800-06001 | 1    | BEARING, BALL 6001  |         |
| 18  | +  | 610310-51530 | 1    | SHAFT, P.T.O.       |         |
| 19  | +  | 900813-06202 | 1    | BEARING, BALL 6202Z |         |
| 20  | +  | 610334-06230 | 1    | SPACER, OILSEAL     |         |
| 21  | +  | 610413-47530 | 1    | OILSEAL IS 20 35 7  |         |
| 22  | +  | 610313-47530 | 1    | PLATE, ADAPTER PD20 |         |
| 23  | +  | 610314-51530 | 1    | PLATE, ADAPTER      |         |
| 24  | +  | 610352-47530 | 1    | PLATE, CUP          |         |
| 25  | +  | 610320-47530 | 1    | NUT, LOCK           |         |
| 42  |    | 897518-01131 | 1    | LOCKING TOOL        |         |
| 43  |    | 895610-00130 | 1    | L-WRENCH (4MM)      |         |
| 44  |    | 895410-08030 | 1    | WRENCH, W/S. DRIVER |         |
| 45  |    | 899580-68730 | 1    | SAFETY GLASSES      |         |
| 46  |    | 178121-43230 | 1    | BAND                |         |

**CLS-5800**  
**CLS-5810**

**7 Gear Case, Blade Shield, Tools**



| KEY | LV | PART NUMBER | Q'TY | DESCRIPTION | REMARKS |
|-----|----|-------------|------|-------------|---------|
|-----|----|-------------|------|-------------|---------|

**CLS-5800**

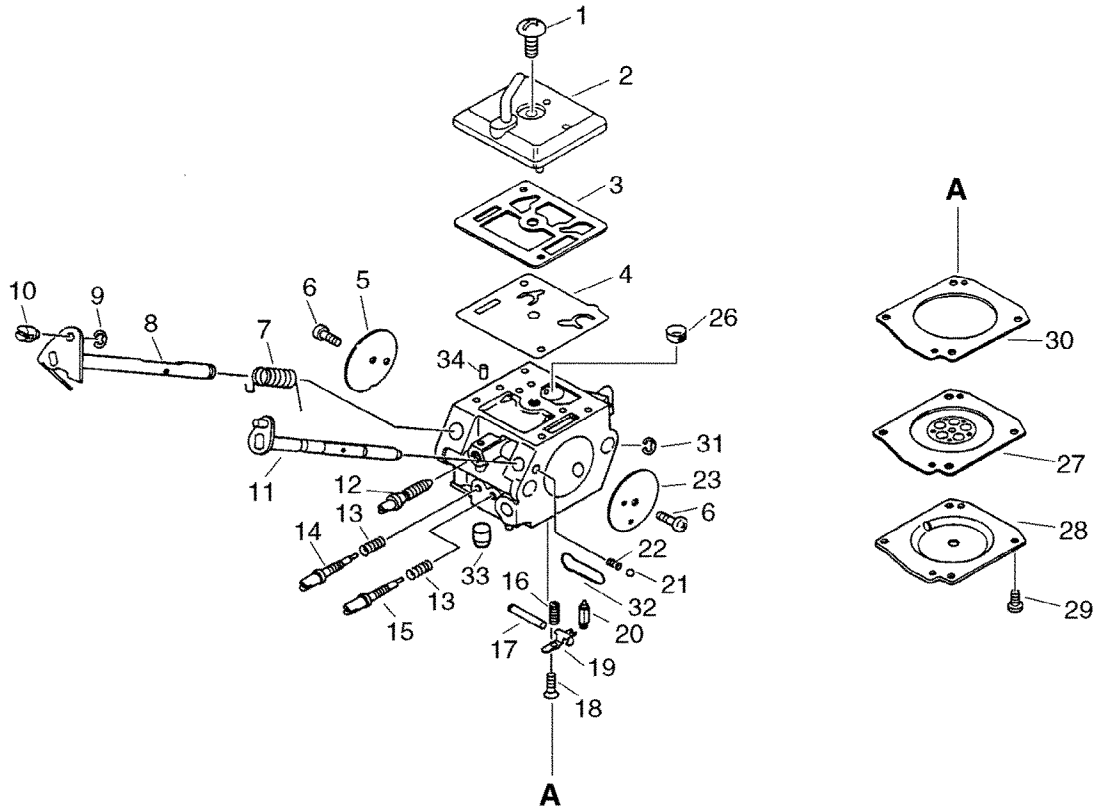
|    |   |              |   |                   |  |
|----|---|--------------|---|-------------------|--|
| 6  |   | 699000-47530 | 1 | SHIELD ASY        |  |
| 7  | + | 900162-05020 | 4 | BOLT, H.S. 5*20   |  |
| 40 |   | 695001-51530 | 1 | SAW, EIA200-20    |  |
| 41 |   | 898503-08030 | 1 | COVER SET, CUTTER |  |

**CLS-5810**

|    |   |              |   |                     |  |
|----|---|--------------|---|---------------------|--|
| 50 |   | 699000-54530 | 1 | SHIELD ASY          |  |
| 51 | + | 699011-51530 | 1 | BRACKET, SHIELD     |  |
| 52 | + | 699010-54430 | 1 | SHIELD, BLADE       |  |
| 53 | + | 699013-52130 | 1 | PLATE, SHIELD       |  |
| 54 | + | 900162-05018 | 4 | BOLT, H.S. 5*18     |  |
| 55 | + | 900603-00005 | 4 | WASHER 5            |  |
| 56 | + | 900500-00005 | 6 | NUT 5               |  |
| 57 | + | 900162-05014 | 4 | BOLT, H.S. 5*14     |  |
| 58 | + | 699015-52130 | 1 | PLATE, SHIELD       |  |
| 59 | + | 900162-05025 | 2 | BOLT, H.S. 5*25     |  |
| 60 | + | 699016-54530 | 1 | KNIFE               |  |
| 61 | + | 900162-05012 | 2 | BOLT, H.S. 5*12     |  |
| 65 |   | 898503-50030 | 1 | SCABBARD KIT, BLADE |  |
| 66 | + | 898562-43230 | 1 | FIXTURE, SCABBARD   |  |

**CLS-5800**  
**CLS-5810**

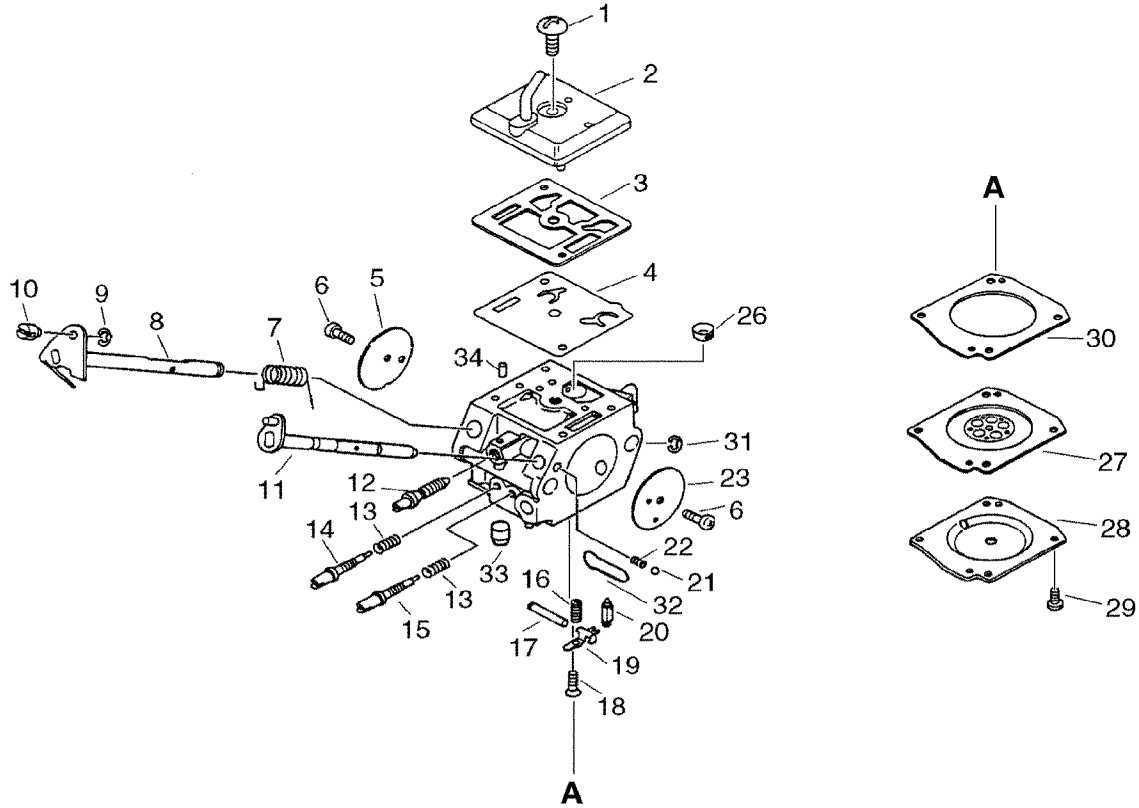
**8 Carburettor**



| KEY | LV | PART NUMBER  | Q'TY | DESCRIPTION          | REMARKS |
|-----|----|--------------|------|----------------------|---------|
|     |    | 125200-54432 | 1    | CARBURETOR           |         |
| 1   | +  | 125310-13930 | 1    | SCREW                |         |
| 2   | +  | 125324-54430 | 1    | COVER, PUMP          |         |
| 3   | +  | 125325-54430 | 1    | GASKET, PUMP         |         |
| 4   | +  | 125312-54530 | 1    | DIAPHRAGM, FUEL PUMP |         |
| 5   | +  | 125316-54430 | 1    | VALVE, THROTTLE      |         |
| 6   | +  | 125314-51230 | 2    | SCREW                |         |
| 7   | +  | 125313-54430 | 1    | SPRING, THRT. RETURN |         |
| 8   | +  | 125317-54430 | 1    | SHAFT, THROTTLE      |         |
| 9   | +  | 125327-13930 | 1    | CLIP                 |         |
| 10  | +  | 125372-54430 | 1    | SWIVEL               |         |
| 11  | +  | 125331-54430 | 1    | SHAFT, CHOKE         |         |
| 12  | +  | 125334-54430 | 1    | SCREW, IDLE ADJUST   |         |
| 13  | +  | 125319-13930 | 2    | SPRING, COIL         |         |
| 14  | +  | 125318-54430 | 1    | NEEDLE, IDLE         |         |
| 15  | +  | 125320-54430 | 1    | NEEDLE, HIGH SPEED   |         |
| 16  | +  | 125322-12620 | 1    | SPRING, COIL         |         |
| 17  | +  | 125338-13930 | 1    | PIN, METERING ARM    |         |
| 18  | +  | 125339-13930 | 1    | SCREW                |         |
| 19  | +  | 125323-08260 | 1    | ARM, VALVE           |         |
| 20  | +  | 125337-08260 | 1    | VALVE, INLET NEEDLE  |         |
| 21  | +  | 125336-33330 | 1    | BALL, STEEL          |         |
| 22  | +  | 125335-33330 | 1    | SPRINGT, FRICTION    |         |
| 23  | +  | 125332-33330 | 1    | VALVE, CHOKE         |         |

**CLS-5800**  
**CLS-5810**

**8 Carburettor**



| KEY | LV | PART NUMBER  | Q'TY | DESCRIPTION         | REMARKS |
|-----|----|--------------|------|---------------------|---------|
| 26  | +  | 125326-08360 | 1    | STRAINER            |         |
| 27  | +  | 125341-54430 | 1    | DIAPHRAGM           |         |
| 28  | +  | 125342-33330 | 1    | COVER, DIAPHRAGM    |         |
| 29  | +  | 125344-52130 | 4    | SCREW               |         |
| 30  | +  | 125340-54430 | 1    | GASKET, DIAPHRAGM   |         |
| 31  | +  | 125327-15130 | 1    | CLIP                |         |
| 32  | +  | 125345-08360 | 1    | PLUG, WELCH         |         |
| 33  | +  | P005-000000  | 1    | NOZZLE, CHECK VALVE |         |
| 34  | +  | 125378-13930 | 1    | PIECE, FRICTION     |         |