

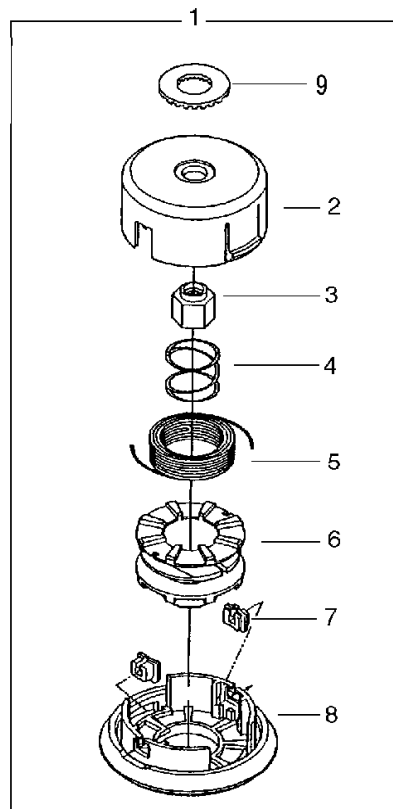


PARTS CATALOG

TRIMMER / BRUSHCUTTER ACCESSORY

Z-5(X047-000331)

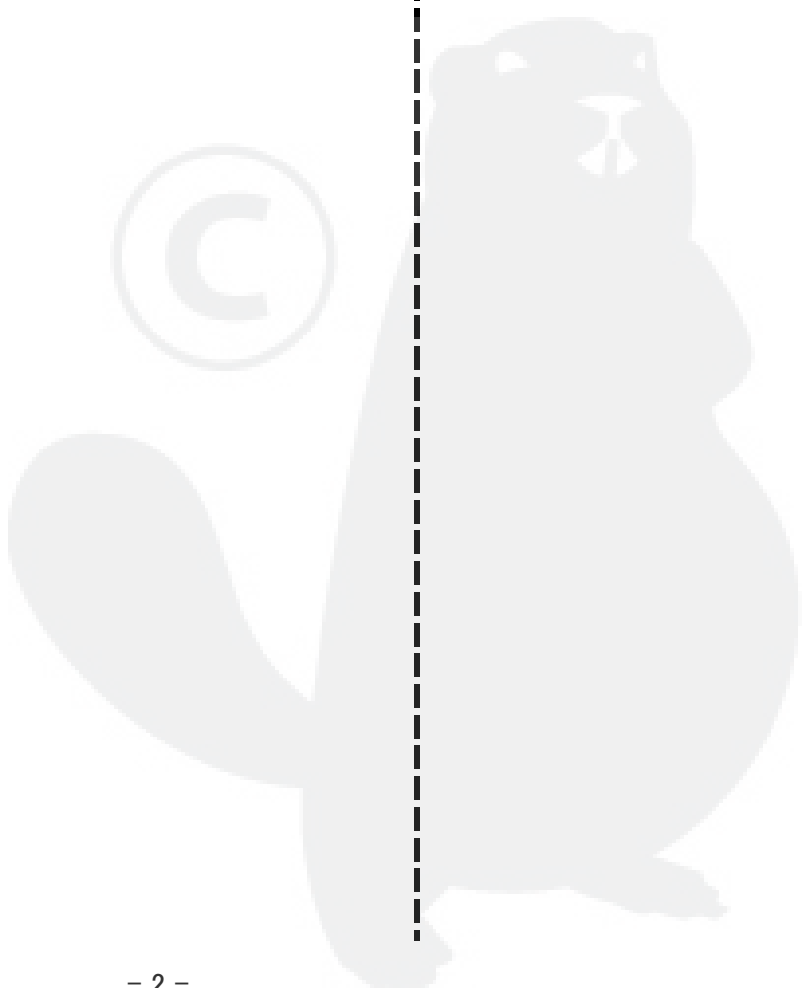
1. BODY



KEY	LV	PART NUMBER	Q'TY	DESCRIPTION	REMARKS	NOTE1	NOTE2
1		X047-000331	1	CUTTER,ASM LINE	Z-5 M10		
2	+	P022-010420	1	HOUSING			
3	+	P022-023180	1	NUT			
4	+	P022-010370	1	SPRING			
5	+	P022-010380	1	NYLON CODE			
6	+	P022-010400	1	BOBBIN			
7	+	P022-000710	2	EYELET			
8	+	P022-010410	1	COVER			
9	+	V332-000000	1	WASHER,CIRCULAR 24			

Index

Patrs Number	Key No.	Patrs Number	Key No.	Patrs Number	Key No.
P022-000710	1 - 7				
P022-010370	1 - 4				
P022-010380	1 - 5				
P022-010400	1 - 6				
P022-010410	1 - 8				
P022-010420	1 - 2				
P022-023180	1 - 3				
V332-000000	1 - 9				
X047-000331	1 - 1				



YAMABIKO CORPORATION

7-2 SUEHIROCHO 1-CHOME, OHME, TOKYO 198-8760, JAPAN
PHONE: 81-428-32-6118. FAX: 81-428-32-6145.

ECHO®



12Db
No. 61-224