



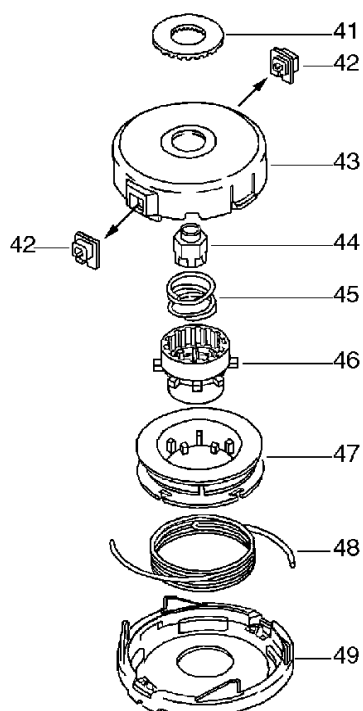
PARTS CATALOG

TRIMMER / BRUSHCUTTER ACCESSORY

DS-5 10

1. Nylon Line Cutting Head

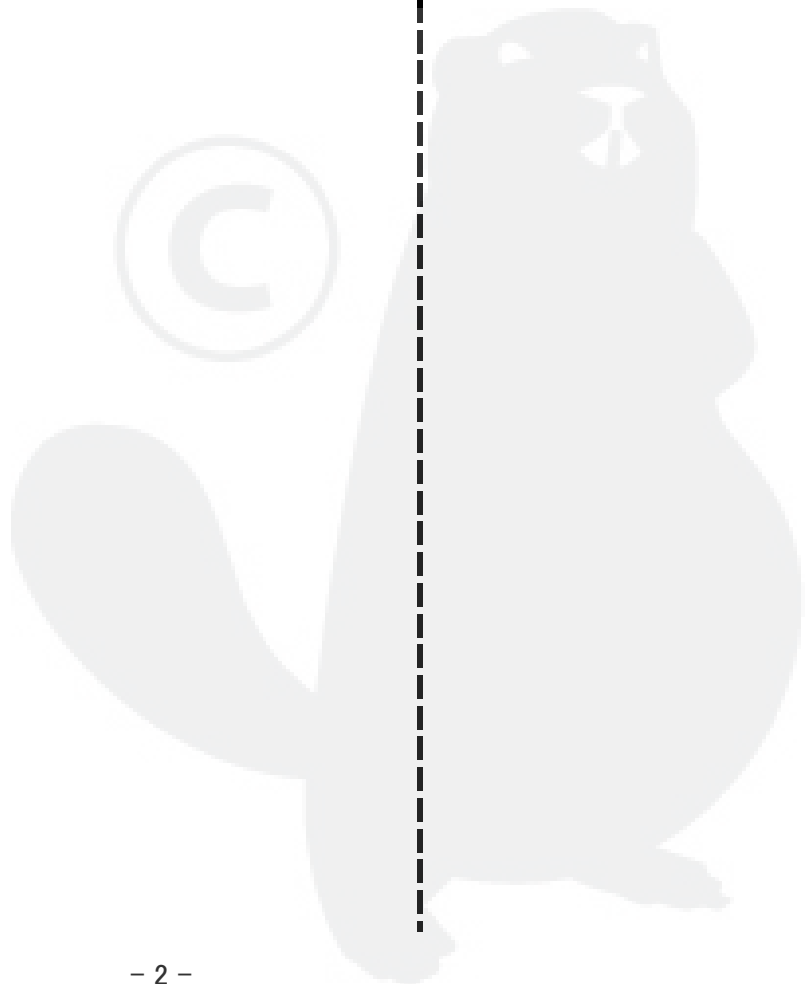
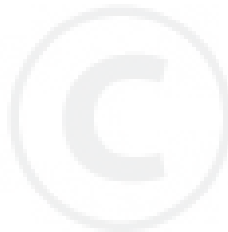
No.1



KEY	LV	PART NUMBER	Q'TY	DESCRIPTION	REMARKS	NOTE1	NOTE2
40		X047-000070	1	CUTTER,ASM LINE	DS-5/10	Sus. by X047-000220	
40		X047-000220	1	CUTTER,ASM LINE	DS-5 M10L	DS-5/10	
41	+	V332-000000	1	WASHER,CIRCULAR 24			
42	+	P022-000710	2	EYELET	T4		
43	+	X470-000000	1	DRUM,REEL		Sus. by P022-005040	
43	+	P022-005040	1	HOUSING			
44	+	P022-001160	1	NUT			
45	+	P022-001200	1	SPRING	DS-5/10		
46	+	P022-001310	1	TAP KNOB	DS-5/10		
47	+	P022-001180	1	BOBBIN	DS-5/10		
48	+	P022-000730	1	NYLON CODE	2.4*3M B4-K	Sus. by P022-006200	
48	+	P022-006200	1	NYLON CODE	3.0*3M		
49	+	P022-001190	1	COVER	DS-5/10	Sus. by P022-005030	
49	+	P022-005030	1	COVER			

Index

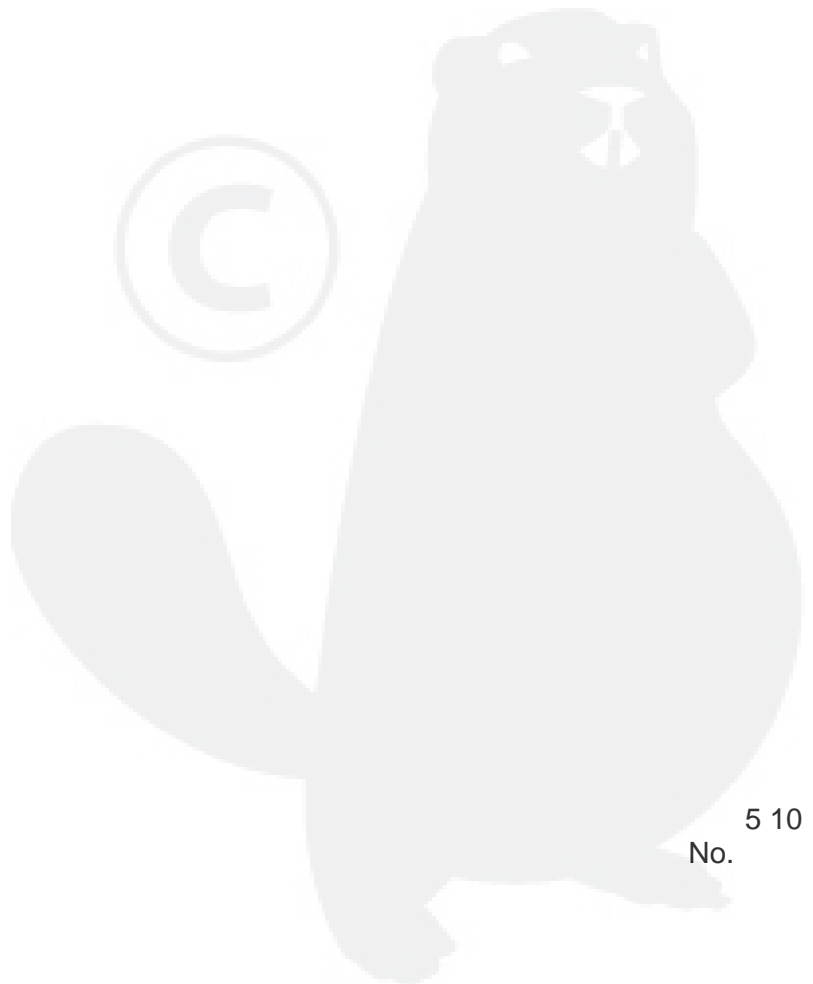
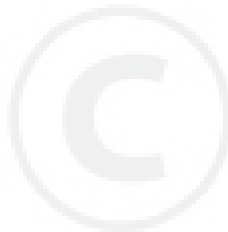
Patrs Number	Key No.	Patrs Number	Key No.	Patrs Number	Key No.
P022-000710	1 - 42				
P022-000730	1 - 48				
P022-001160	1 - 44				
P022-001180	1 - 47				
P022-001190	1 - 49				
P022-001200	1 - 45				
P022-001310	1 - 46				
P022-005030	1 - 49				
P022-005040	1 - 43				
P022-006200	1 - 48				
V332-000000	1 - 41				
X047-000070	1 - 40				
X047-000220	1 - 40				
X470-000000	1 - 43				



YAMABIKO CORPORATION

7-2 SUEHIROCHO 1-CHOME, OHME, TOKYO 198-8760, JAPAN
PHONE: 81-428-32-6118. FAX: 81-428-32-6145.

ECHO®



5 10
No.