



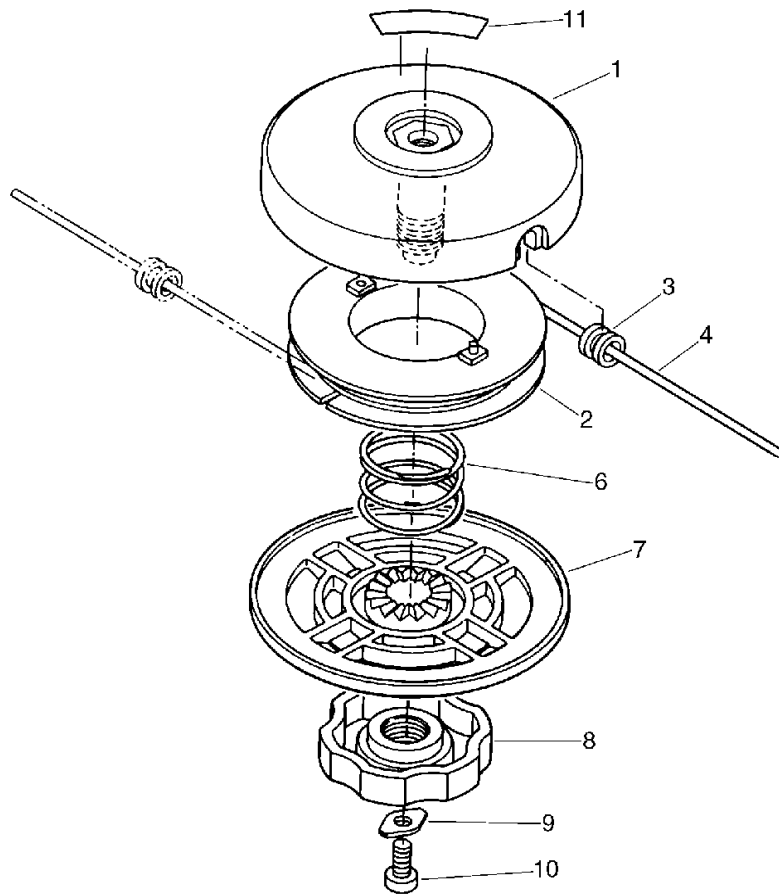
# **PARTS CATALOG**

## **TRIMMER / BRUSHCUTTER ACCESSORY**

**SRAH-200\_205**

SRAH-200\_205

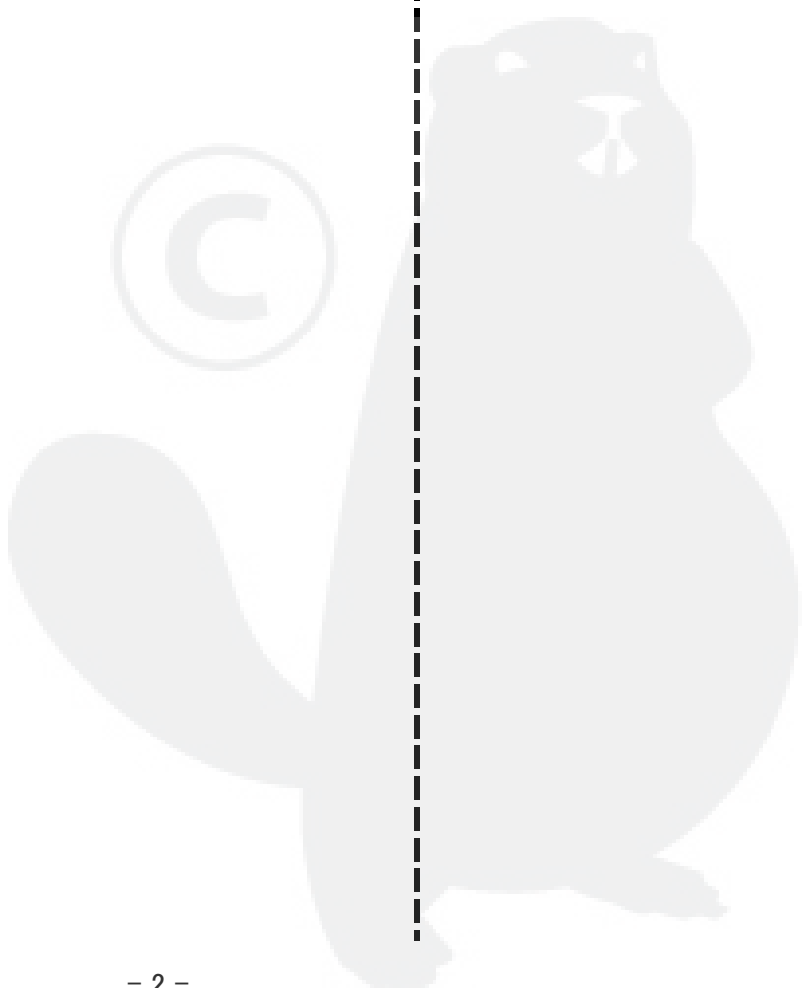
# 1. Nylon Line Cutting Head



KEY	LV	PART NUMBER	Q'TY	DESCRIPTION	REMARKS	NOTE1	NOTE2
1		696210-56930	1	DRUM, REEL		SRAH-205	
1		696205-06033	1	DRUM, CORD REEL		SRAH-200	
2		696214-06830	1	REEL, CORD			
3		696212-06032	2	EYELET			
4		696215-22830	2	CORD, NYLON(2.4*2.5)			
6		696216-06030	1	SPRING			
7		696206-28232	1	COVER, DRUM (BL)		SRAH-205	
7		696206-06032	1	COVER, DRUM (JY)		SRAH-200	
8		696219-28231	1	NUT (BL)		Sus.by V299-000260	
8		V299-000260	1	KNOB,FASTENER	M16X2	SRAH-205	
8		696219-06031	1	NUT (JY)		Sus.by V299-000260	
8		V299-000260	1	KNOB,FASTENER	M16X2	SRAH-200	
9		696220-06030	1	STOPPER, NUT			
10		900220-06010	1	SCREW 6*10	6*10		
11		890617-46730	1	LABEL, CAUTION		SRAH-205	

**Index**

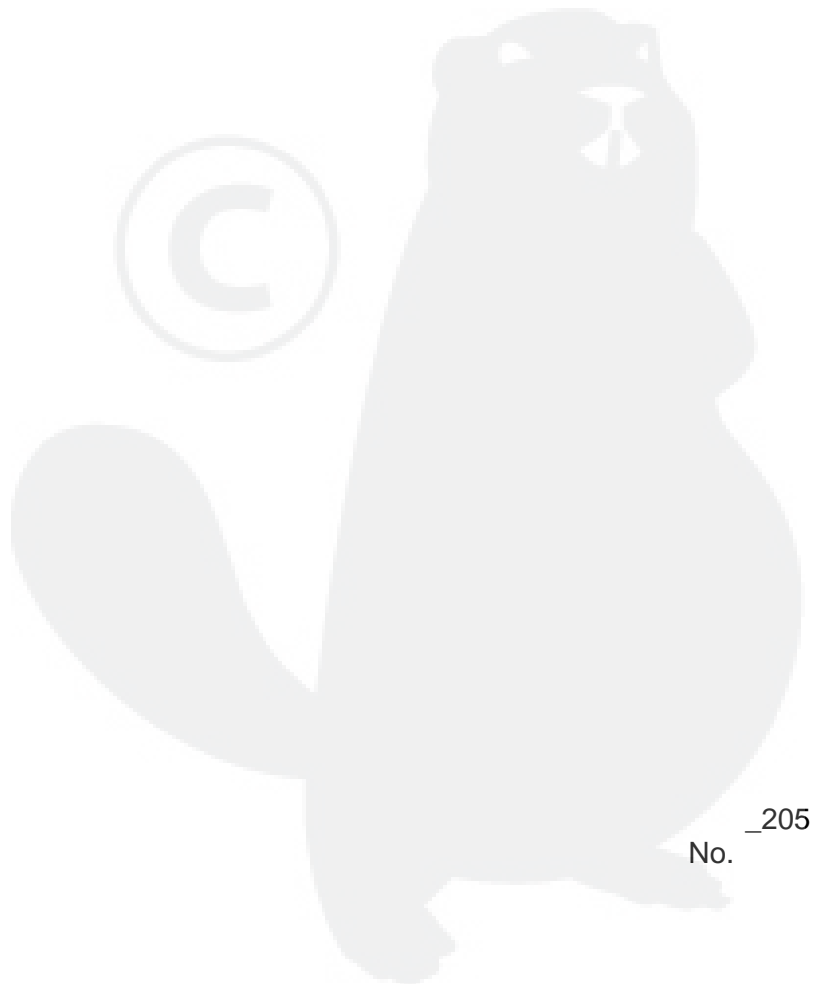
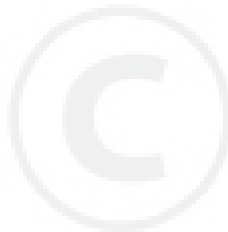
<b>Patrs Number</b>	<b>Key No.</b>	<b>Patrs Number</b>	<b>Key No.</b>	<b>Patrs Number</b>	<b>Key No.</b>
696205-06033	1 - 1				
696206-06032	1 - 7				
696206-28232	1 - 7				
696210-56930	1 - 1				
696212-06032	1 - 3				
696214-06830	1 - 2				
696215-22830	1 - 4				
696216-06030	1 - 6				
696219-06031	1 - 8				
696219-28231	1 - 8				
696220-06030	1 - 9				
890617-46730	1 - 11				
900220-06010	1 - 10				
V299-000260	1 - 8				
V299-000260	1 - 8				



# YAMABIKO CORPORATION

7-2 SUEHIROCHO 1-CHOME, OHME, TOKYO 198-8760, JAPAN  
PHONE: 81-428-32-6118. FAX: 81-428-32-6145.

**ECHO**<sup>®</sup>



No. 205