

# SF400/E

Serial number: 00000000–99999999

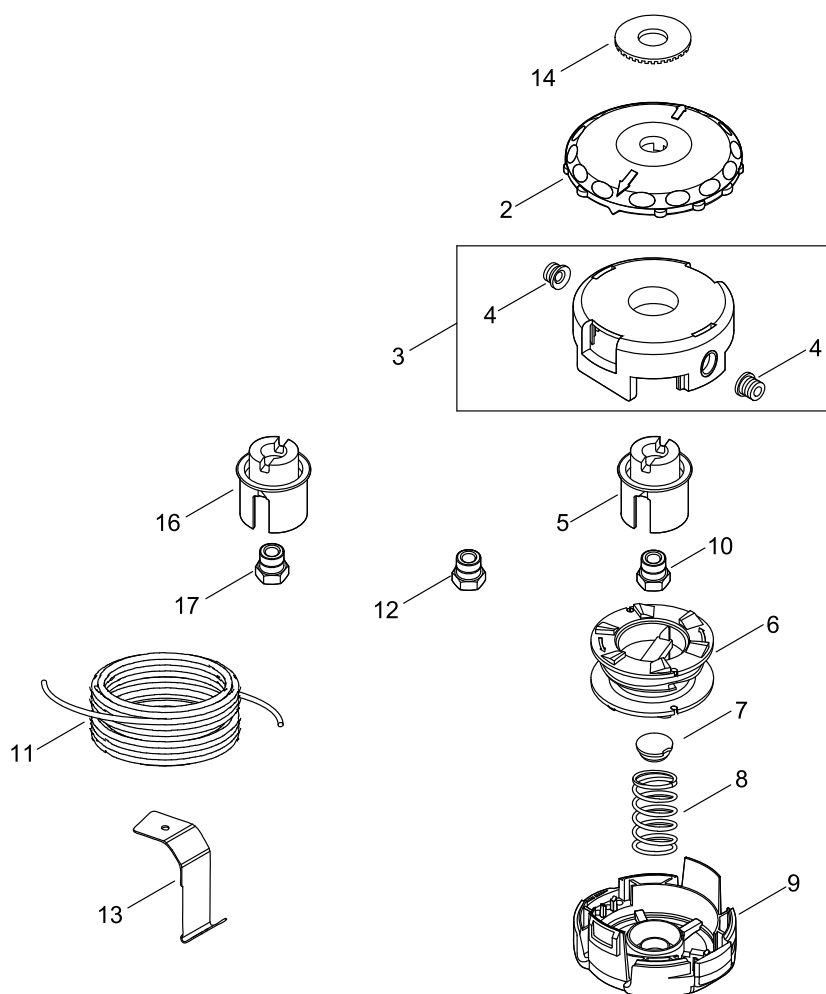
Last update date: 01/28/2020

# TABLE OF CONTENTS

---

NYLON LINE CUTTER.....	1
------------------------	---

# NYLON LINE CUTTER



## NYLON LINE CUTTER

Key No.	LV (+)	Part No	Description	Qty	Standard
2		E415-000180	KNOB,REGULATOR	1	
3		X470-000330	DRUM,REEL	1	
4	+	X475-000110	GUIDE,CORD	2	
5		X476-000040	HUB,REEL	1	LH BLACK
6		X473-000130	REEL,CORD	1	
7		V494-000840	SPRING CAP	1	
8		V450-001880	SPRING,COMPRESSION	1	
9		X472-000070	LID,DRUM	1	
10		V160-000210	FILLER	1	M10X1.25LH BLUE
11		X474-000210	CORD	1	
12		V160-000150	FILLER	1	M10X1.25LH GOLD
13		C554-000030	KNIFE, CORD	1	17INCH
14		V332-000090	WASHER,CIRCULAR 24	1	25.4*45*T4
16		X476-000050	HUB,REEL	1	RH WHITE
17		V160-000050	FILLER	1	3/8-24RH BLACK

# NUMERICAL PARTS INDEX

Part No	Part description	Page
C554-000030	KNIFE, CORD	2
E415-000180	KNOB,REGULATOR	2
V160-000050	FILLER	2
V160-000150	FILLER	2
V160-000210	FILLER	2
V332-000090	WASHER,CIRCULAR 24	2
V450-001880	SPRING,COMPRESSION	2
V494-000840	SPRING CAP	2
X470-000330	DRUM,REEL	2
X472-000070	LID,DRUM	2
X473-000130	REEL,CORD	2
X474-000210	CORD	2
X475-000110	GUIDE,CORD	2
X476-000040	HUB,REEL	2
X476-000050	HUB,REEL	2