



# PARTS CATALOG

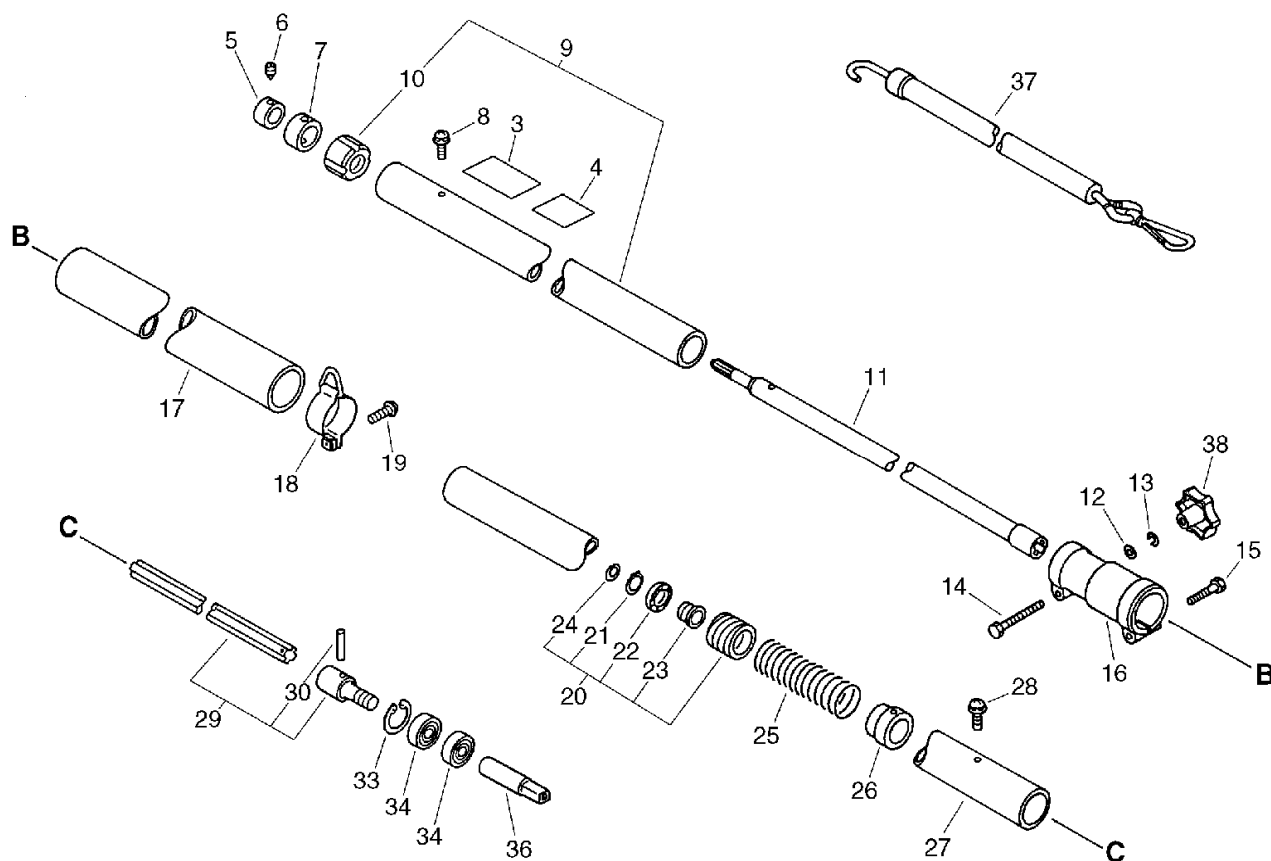
## TRIMMER / BRUSHCUTTER ACCESSORY

**EHV-3**

EHV-3

# 1. Main Pipe

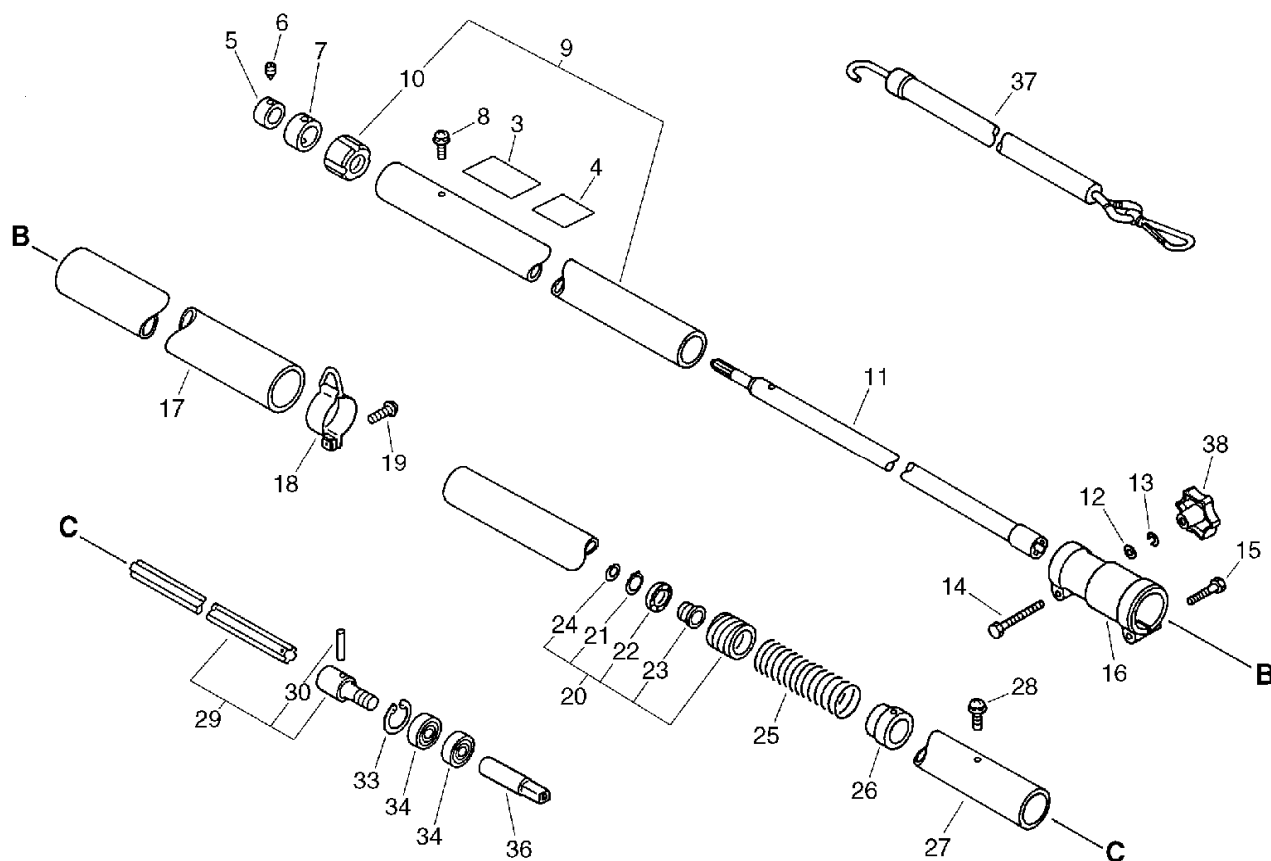
No.1



KEY	LV	PART NUMBER	Q'TY	DESCRIPTION	REMARKS	NOTE1	NOTE2
3		890617-07660	1	LABEL, CAUTION			
4		890160-42230	1	LABEL, CAUTION			
5		610026-27630	1	STOPPER (B)			
6		900170-05014	1	BOLT, H.S. 5*14	5*14		
7		610225-27630	1	STOPPER (A)			
8		900242-05008	2	SCREW 5*8	5*8		
9		610206-29930	1	HOUSING ASSY D.SFT			
10	+	610105-27630	3	COLLAR			
11		610007-27630	1	SHAFT, OPERATION		Sus. by 610007-27631	
11		610007-27631	1	SHAFT, DRIVE			
12		130031-10230	1	WASHER			
13		900605-00005	1	WASHER, SPRING 5	5		
14		900105-05040	1	BOLT, H.S. 5*40	5*40		
15		900162-05025	1	BOLT, H.S. 5*25	5*25 W,SW		
16		610269-27630	1	SPACER			
17		610271-27630	1	GRIP			
18		301200-27630	1	HOOK ASSY			
19		900242-05014	1	SCREW 5*14	5*14		
20		610106-27630	1	HOUSING ASSY, OPE			
21	+	900707-00021	1	CIRCLIP BR-21	BR-21		
22	+	900904-06801	1	BEARING, BALL 6801ZZ	6801ZZ		
23	+	610117-27630	1	SPACER			
24	+	900706-00012	1	CIRCLIP 12	WR-12		
25		610120-27630	1	SPRING			
26		610115-27630	1	SPACER			

# 1. Main Pipe

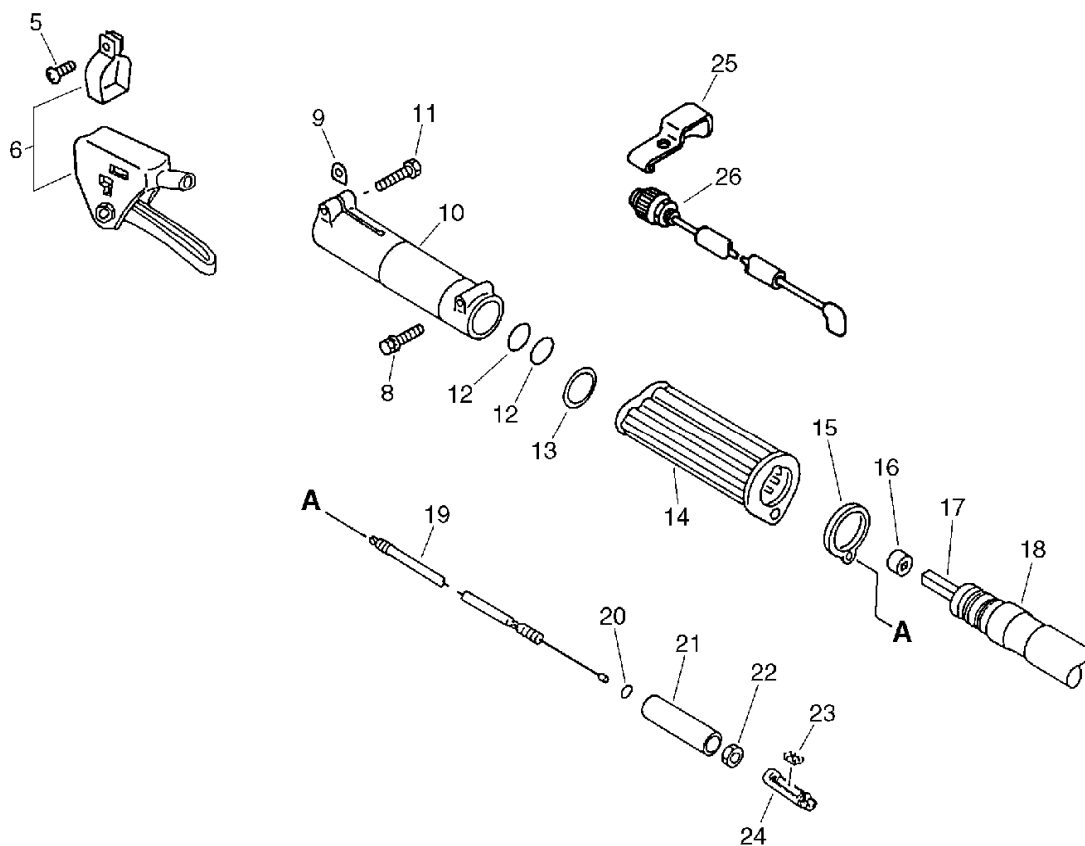
No.1



KEY	LV	PART NUMBER	Q'TY	DESCRIPTION	REMARKS	NOTE1	NOTE2
27		610258-27630	1	SWIVEL, D.S.HOUS.(SL			
28		900242-04008	1	SCREW	4*8		
29		610006-27630	1	SHAFT, DRIVING			
30	+	900342-30016	1	PIN, SPRING 3*16	3*16		
33		900702-00022	1	CIRCLIP 22	CR-22		
34		900814-00627	2	BEARING, BALL 627	627ZZ		
36		610012-07132	1	CONNECTOR, D. SHAFT			
37		300500-07131	1	ROPE, ELASTIC			
38		352325-27630	1	KNOB		Sus. by V299-000100	
38		V299-000100	1	KNOB,FASTENER			

## 2. Throttle

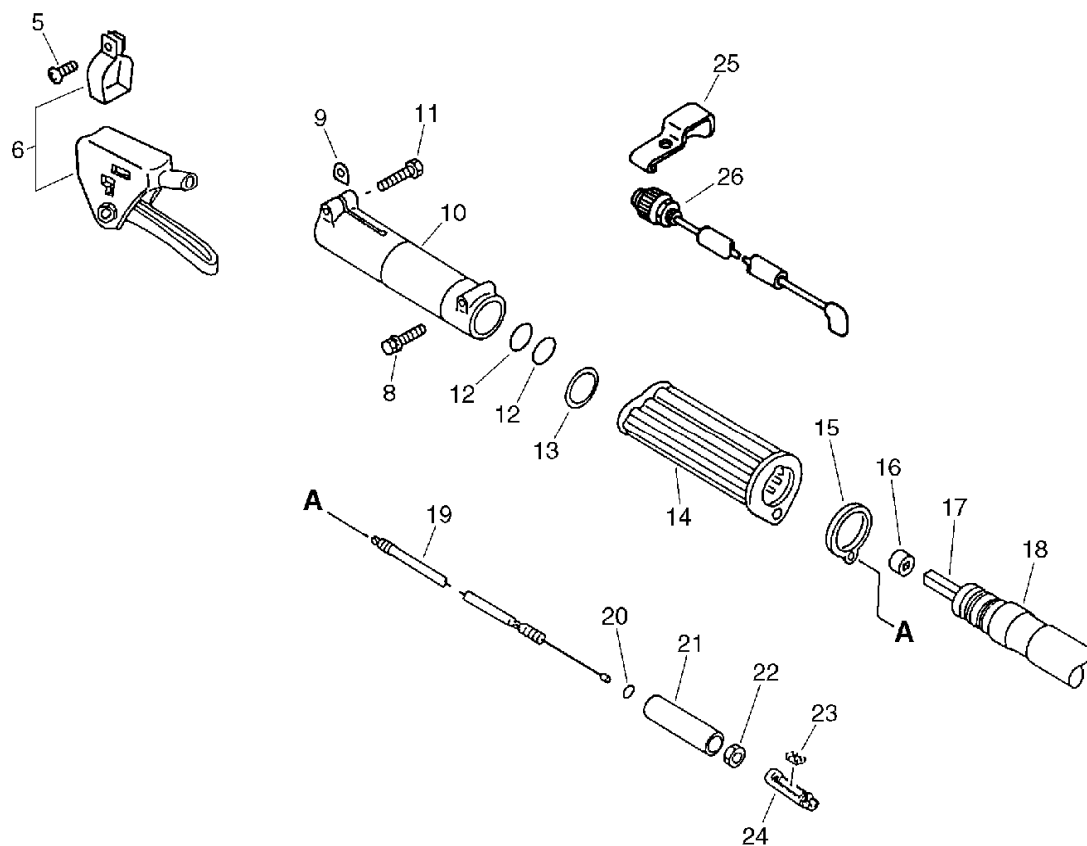
No.2



KEY	LV	PART NUMBER	Q'TY	DESCRIPTION	REMARKS	NOTE1	NOTE2
38		V299-000100	1	KNOB,FASTENER			

### 3. Gear Case

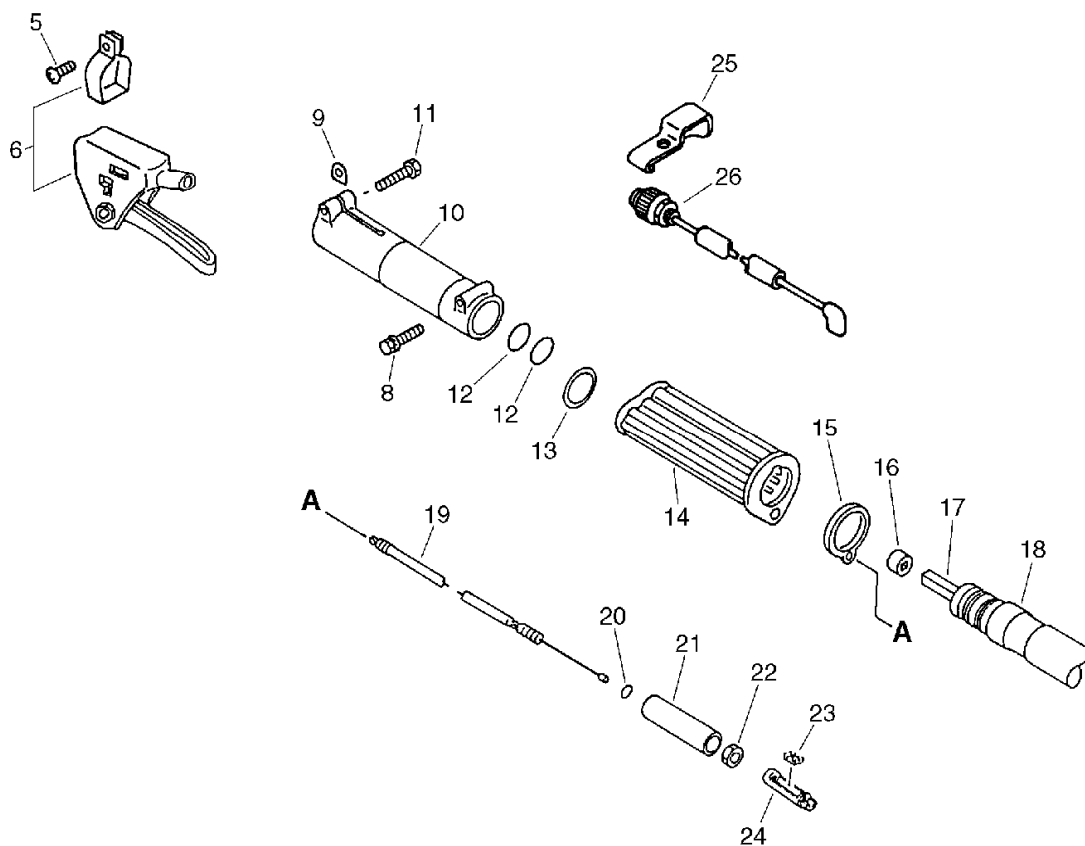
No.2



KEY	LV	PART NUMBER	Q'TY	DESCRIPTION	REMARKS	NOTE1	NOTE2
38		V299-000100	1	KNOB,FASTENER			

# 4. Hook, Tools

No.2



KEY	LV	PART NUMBER	Q'TY	DESCRIPTION	REMARKS	NOTE1	NOTE2
38		V299-000100	1	KNOB,FASTENER			

**Index**

<b>Patrs Number</b>	<b>Key No.</b>	<b>Patrs Number</b>	<b>Key No.</b>	<b>Patrs Number</b>	<b>Key No.</b>
130031-10230	1 - 12	610257-28630	2 - 11	V299-000100	1 - 38
163810-27630	2 - 25	610257-28630	3 - 11	V420-000150	4 - 19
163810-27630	3 - 25	610258-27630	1 - 27	X685-000020	4 - 18
166101-06630	2 - 26	610269-27630	1 - 16		
166101-06630	3 - 26	610271-27630	1 - 17		
177214-02830	4 - 5	610300-59930	4 - 12		
178000-27630	2 - 6	610315-27630	4 - 7		
178000-27630	3 - 6	610511-27630	2 - 13		
178001-28630	2 - 19	610511-27630	3 - 13		
178001-28630	3 - 19	890160-42230	1 - 4		
178021-05530	2 - 22	890617-07660	1 - 3		
178021-05530	3 - 22	895112-00330	4 - 23		
178049-06630	2 - 23	895410-02830	4 - 24		
178049-06630	3 - 23	895610-00130	4 - 20		
178112-07130	2 - 15	895710-00430	4 - 22		
178112-07130	3 - 15	899513-42930	4 - 18		
178114-05630	2 - 24	900100-05016	4 - 3		
178114-05630	3 - 24	900105-05040	1 - 14		
178128-05630	2 - 21	900142-05028	2 - 8		
178128-05630	3 - 21	900142-05028	3 - 8		
178133-22330	2 - 20	900162-05018	4 - 17		
178133-22330	3 - 20	900162-05025	1 - 15		
300500-07131	1 - 37	900170-05014	1 - 6		
301200-27630	1 - 18	900212-04008	3 - 21		
352325-27630	1 - 38	900242-04008	1 - 28		
610006-27630	1 - 29	900242-05008	1 - 8		
610007-27630	1 - 11	900242-05014	1 - 19		
610007-27631	1 - 11	900242-05025	3 - 5		
610012-07132	1 - 36	900342-30016	1 - 30		
610013-28630	2 - 17	900605-00005	1 - 13		
610013-28630	3 - 17	900605-00005	4 - 4		
610020-07131	2 - 16	900701-00007	4 - 14		
610020-07131	3 - 16	900702-00022	1 - 33		
610026-27630	1 - 5	900702-00024	4 - 8		
610105-27630	1 - 10	900702-00026	4 - 2		
610106-27630	1 - 20	900706-00012	1 - 24		
610115-27630	1 - 26	900706-00012	4 - 9		
610117-27630	1 - 23	900707-00021	1 - 21		
610120-27630	1 - 25	900720-00018	2 - 12		
610206-29930	1 - 9	900720-00018	3 - 12		
610209-28631	2 - 18	900803-06000	4 - 6		
610209-28631	3 - 18	900814-00627	1 - 34		
610225-27630	1 - 7	900855-06901	4 - 11		
610239-04130	2 - 9	900858-06901	4 - 10		
610239-04130	3 - 9	900904-06801	1 - 22		
610248-29931	2 - 10	C532-000010	4 - 15		
610248-29931	3 - 10	C538-000030	3 - 20		
610249-27630	2 - 14	C570-000000	4 - 16		
610249-27630	3 - 14	P021-001130	4 - 13		

# YAMABIKO CORPORATION

7-2 SUEHIROCHO 1-CHOME, OHME, TOKYO 198-8760, JAPAN  
PHONE: 81-428-32-6118. FAX: 81-428-32-6145.

**ECHO**®



HV-3  
No.