

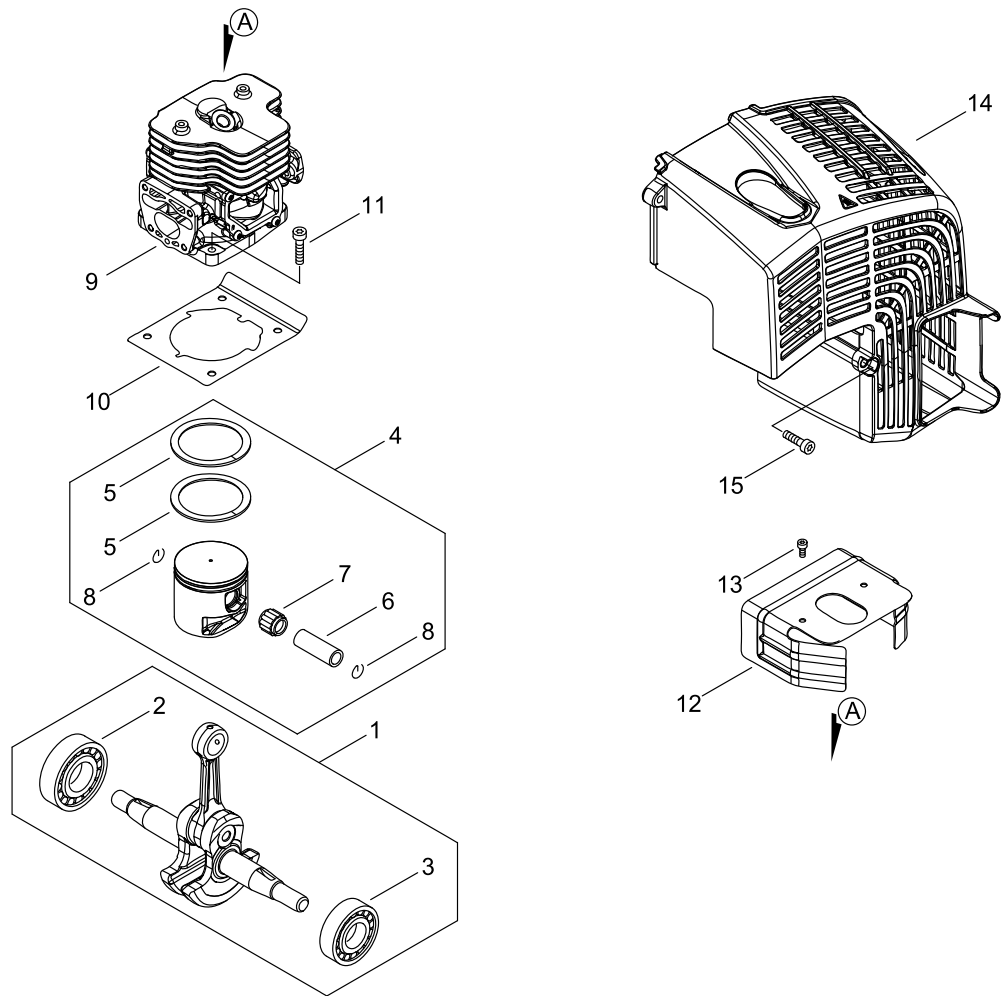
PB-8010

Published:09/06/2019

TABLE OF CONTENTS

CYLINDER, PISTON, CRANKSHAFT.....	1
CRANKCASE	3
MAGNETO.....	5
AIR CLEANER, CARBURETOR.....	7
CARBURETOR.....	9
FUEL TANK.....	11
MUFFLER	13
RECOIL STARTER.....	15
FAN CASE	17
BACKPACK HARNESS	19
THROTTLE	21
PIPE.....	23
ACCESSORIES	25

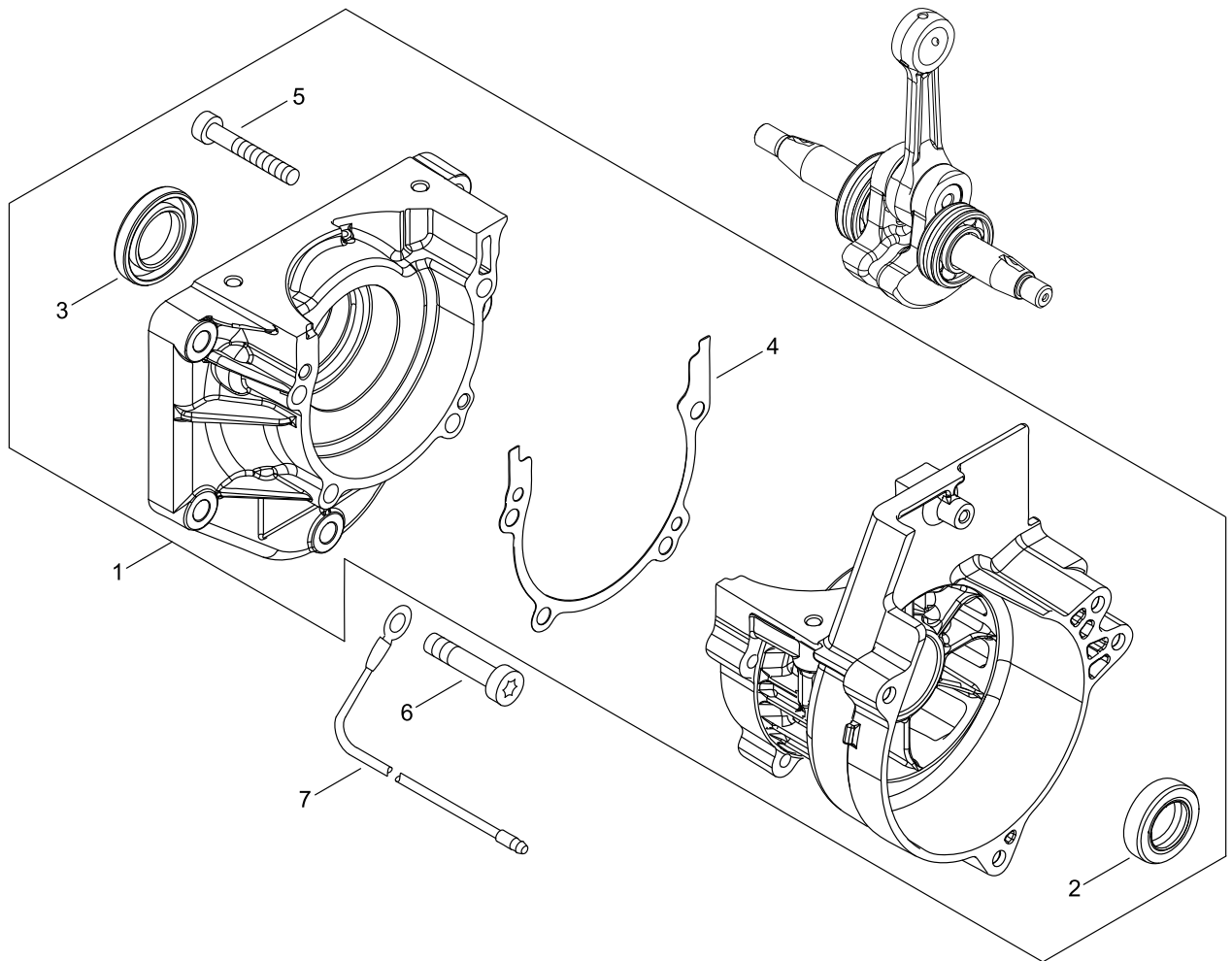
CYLINDER, PISTON, CRANKSHAFT



CYLINDER, PISTON, CRANKSHAFT

KEY NO	LV(+)	Part No	Description	Qty	Standard	Comment
1		P200-001000	CRANKSHAFT ASY	1		
2	+	V592-000490	BEARING, BALL	1	EC1/6203/C3	
3	+	V592-000510	BEARING, BALL	1		
4		P100-008020	PISTON KIT	1		
5	+	A101-000750	RING, PISTON	2	Φ53*1.2*2.1	
6	+	V611-000020	PIN,ENG 13	1		
7	+	V558-000020	BEARING,NEEDLE 13	1	13*16*16.8/15	
8	+	100015-30830	CIRCLIP, PISTON PIN	2		
9		P100-008280	CYLINDER ASY	1		
10		V100-000880	GASKET,CYL	1	T=0.8	
11		V855-000010	BOLT, TORX 5	4	TB-5*25 12.9	
12		A160-003600	COVER,CYLINDER	1		
13		V804-000030	BOLT, TORX 4	2	TB-4*8 10.9	
14		A190-001651	COVER,ENGINE	1		
15		V805-000010	BOLT, TORX 5	4	TT-5*20 DG 10.9	

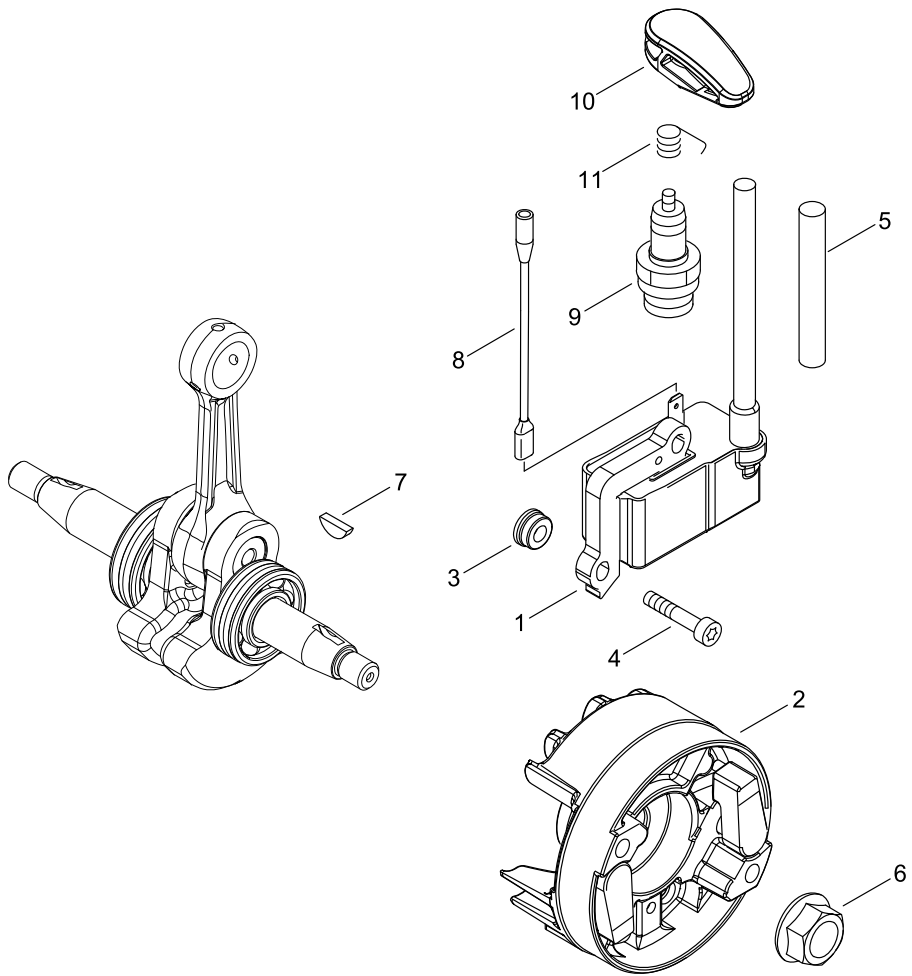
CRANKCASE



CRANKCASE

KEY NO	LV(+)	Part No	Description	Qty	Standard	Comment
1		P100-006310	CRANKCASE SET	1		
2	+	V508-000100	SEAL,OIL 15	1	ISCD 15*25*7	
3	+	V510-000030	OIL SEAL	1		
4	+	V102-000320	GASKET,CRANKCASE	1	T=0.3	
5	+	V805-000290	BOLT, TORX 5	4	TB-5*35 12.9	
6		V204-001830	BOLT,6	5	TB2458(MEC) 10MM	
7		V485-003170	LEAD	1	アース側	

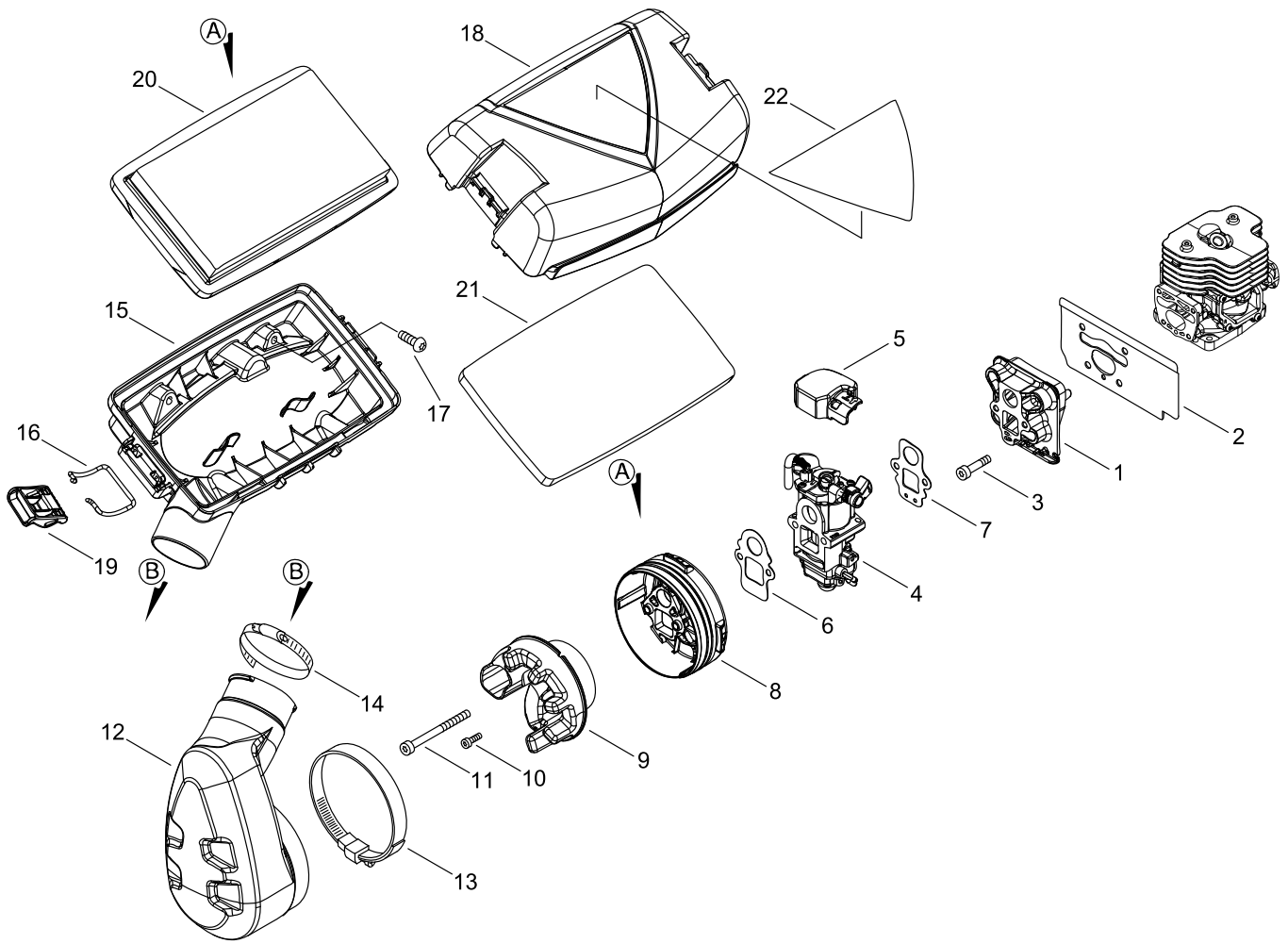
MAGNETO



MAGNETO

KEY NO	LV(+)	Part No	Description	Qty	Standard	Comment
1		A411-001870	COIL, IGNITION	1	ID#A10084[1]	
2		A409-001370	ROTOR, MAGNETO	1		
3		V352-000300	COLLAR,4	2	4.5*8.3*4.6L	
4		V202-000750	BOLT,4	2	TB2458(MEC) 6MM	
5		V475-007540	TUBE	1		
6		900519-00010	NUT, FLANGE	1	10	
7		900323-03014	KEY, WOODRUFF	1	3*14	
8		V485-003180	LEAD	1		
9		A425-000060	SPARKPLUG	1	CMR7H	
10		A427-000230	CAP,SPARK PLUG	1		
11		159011-03432	COIL, SPARK PLUG	1		

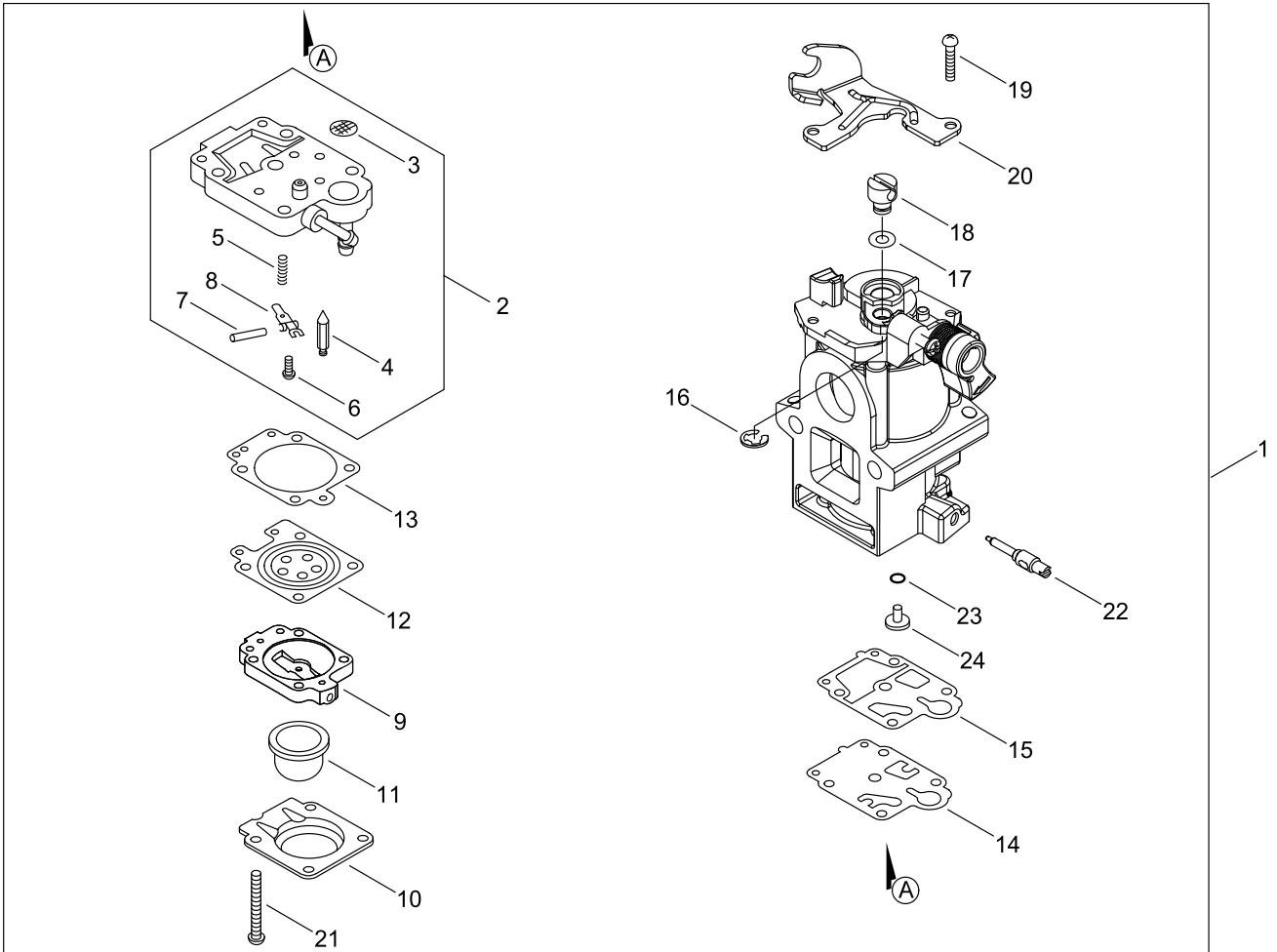
AIR CLEANER, CARBURETOR



AIR CLEANER, CARBURETOR

KEY NO	LV(+)	Part No	Description	Qty	Standard	Comment
1		A200-001210	INSULATOR, INTAKE	1		
2		V103-002150	GASKET,INTAKE	1		
3		V203-002430	BOLT,5	4	TB2468(MEC) 10MM	
4		A021-004920	CARBURETOR, DIAPHRAGM	1	WYA EX6069	
5		A246-000050	CAP,CARBURETOR	1		
6		V103-002050	GASKET,INTAKE	1	PS8525,T=0.85	
7		V103-002060	GASKET,INTAKE	1	PS8525,T=0.85	
8		A221-000040	FIXTURE, CLEANER	1		
9		A161-000400	DUCT, AIR	1		
10		V804-000000	BOLT, TORX 4	1	TT-4*12 DG 10.9	
11		V805-000100	BOLT, TORX 5	2	TB-5*65 10.9	
12		A239-000120	PIPE, INTAKE	1		
13		V495-000440	BAND	1	77.8MM /101.6MM	
14		V495-000590	BAND	1	33MM /57MM	
15		A225-000740	CASE,CLEANER	1		
16		V582-000300	RING,SNAP	2	2.6	
17		V805-000010	BOLT, TORX 5	4	TT-5*20 DG 10.9	
18		A232-002000	LID,CLEANER	1		
19		A235-000460	KNOB,CLEANER LID	2		
20		A226-002070	ELEMENT, AIR FILTER	1	PB-79SX	
21		A226-002250	ELEMENT, AIR FILTER	1	ID #2640	
22		X503-015360	LABEL,MODEL	1	PB-8010	

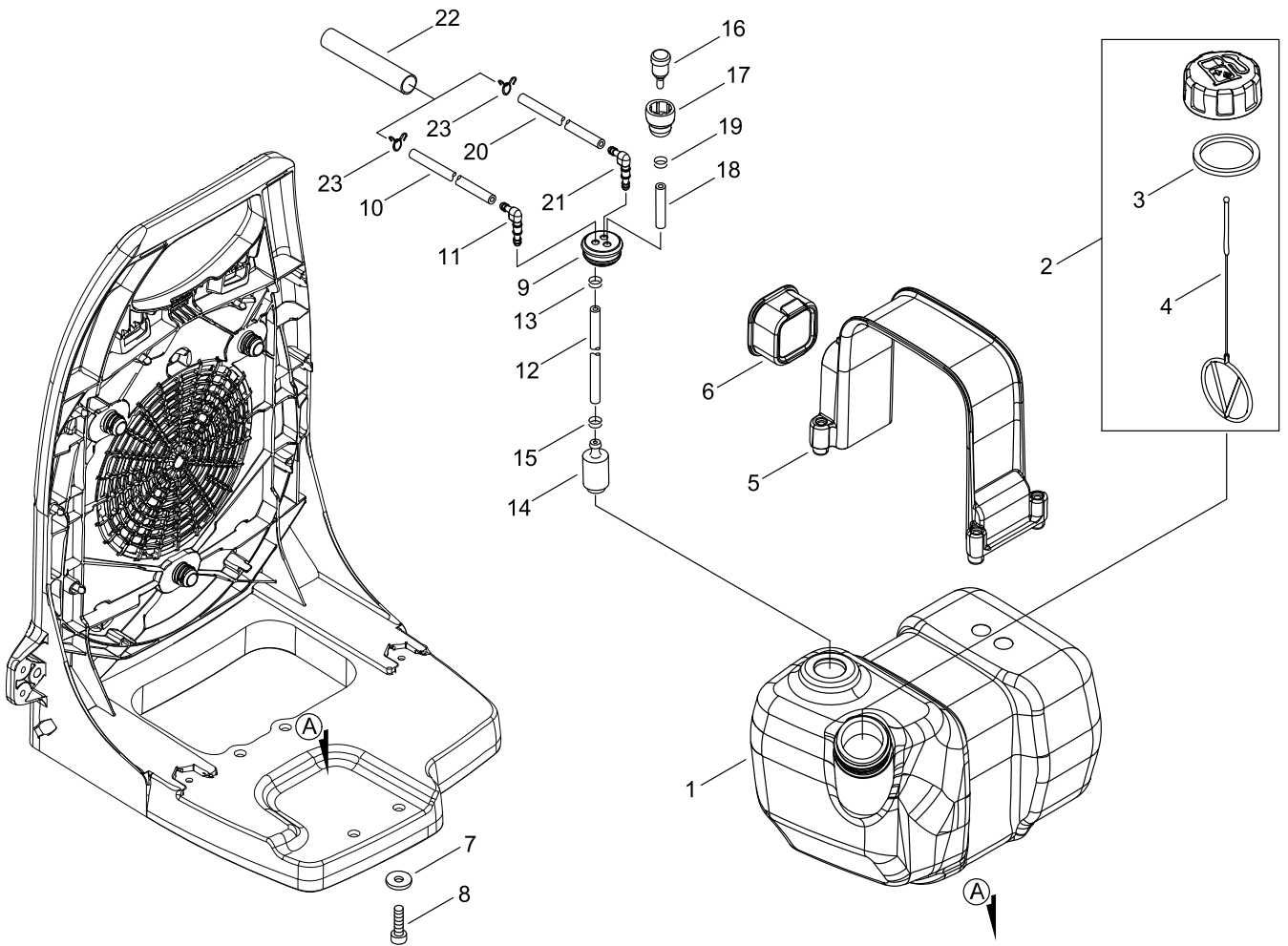
CARBURETOR



CARBURETOR

KEY NO	LV(+)	Part No	Description	Qty	Standard	Comment
1		A021-004920	CARBURETOR, DIAPHRAGM	1	WYA EX6069	
2	+	P003-006180	BODY ASSEMBLY, PUMP	1		
3	++	123126-10631	SCREEN, INLET	1		
4	++	123137-19830	VALVE, INLET NEEDLE	1		
5	++	123122-05560	SPRING, METER. LEVER	1		
6	++	P003-005510	SCREW	1		
7	++	123138-03930	PIN, METERING LEVER	1		
8	++	123123-03930	LEVER, METERING	1		
9	+	P003-003980	BODY, AIR PURGE	1		
10	+	123142-05560	COVER, PRIMER PUMP	1		
11	+	123181-40630	PUMP, PRIMER	1		
12	+	P003-001850	DIAPHRAGM, METERING	1		
13	+	123140-05560	GASKET, M. DIAPHRAGM	1		
14	+	P003-005650	DIAPHRAGM, FUEL PUMP	1		
15	+	P003-004100	GASKET, PUMP	1		
16	+	123173-07930	CLIP	1		
17	+	123149-54230	WASHER	1		
18	+	123172-45130	SWIVEL	1		
19	+	123114-40630	SCREW	2		
20	+	P003-006190	BRACKET CABLE	1		
21	+	123110-05560	SCREW, PUMP COVER	4		
22	+	P003-005880	NEEDLE	1		
23	+	123183-40630	O-RING	1		
24	+	P003-006200	JET	1		

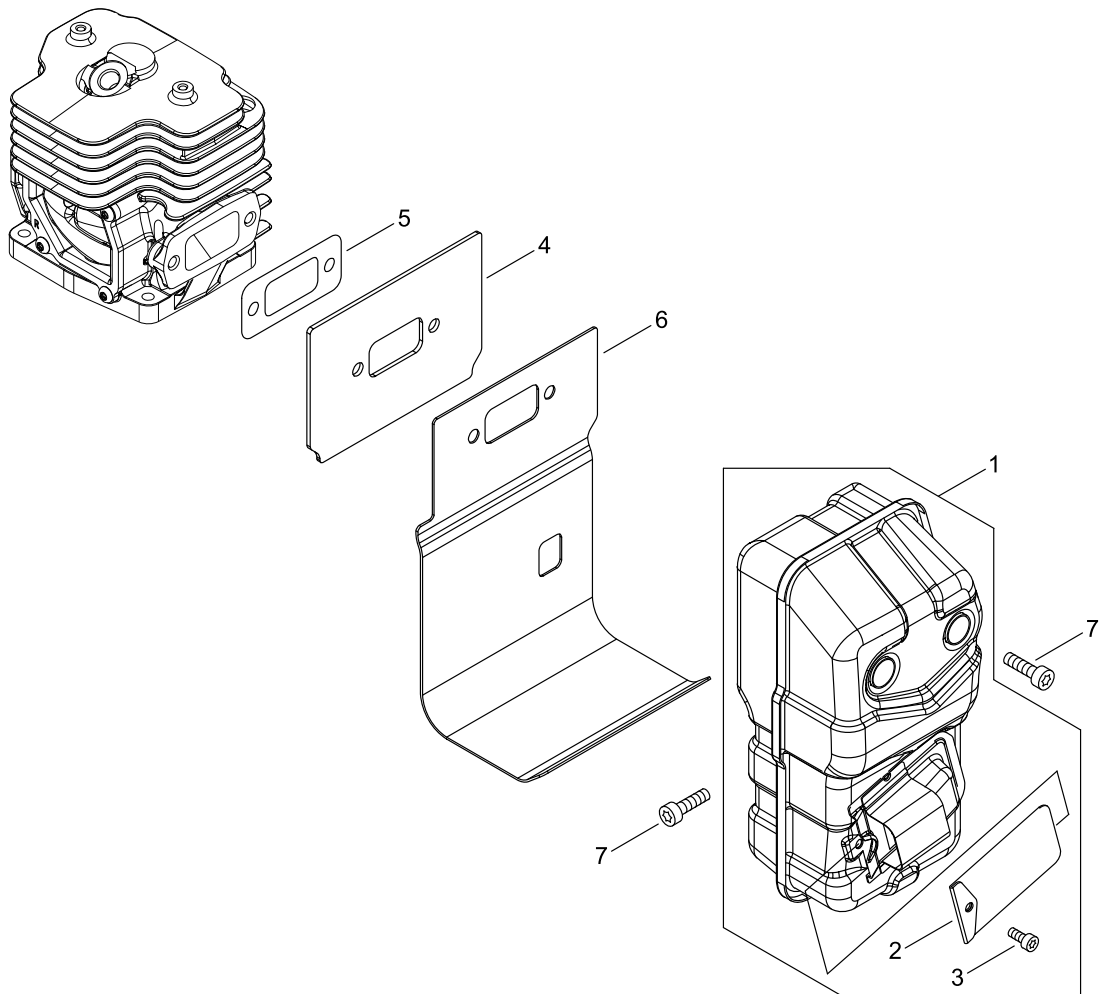
FUEL TANK



FUEL TANK

KEY NO	LV(+)	Part No	Description	Qty	Standard	Comment
1		A350-002690	TANK, FUEL	1		
2		P021-012211	CAP,FUEL ASY	1		
3	+	V107-000190	GASKET,FUEL CAP	1	37.9*T2.2	
4	+	A365-000060	CONNECTOR,CAP	1	L=123	
5		A392-000460	BAND, FUEL TANK	1		
6		V420-005400	CUSHION	1		
7		131911-03460	WASHER	4		
8		V253-000990	SCREW,5	4	TB2403 12MM	
9		132115-55931	GROMMET, FUEL	1	3 ϕ 5	
10		V471-005410	PIPE	1	3.5*6*160	
11		V186-000500	JOINT,PIPE	1		
12		V471-001231	PIPE	1	3*5*210	
13		V490-001240	CLIP	1		
14		A369-000460	STRAINER, FUEL	1		
15		V490-001240	CLIP	1		
16		A356-000031	VALVE,CHECK	1		
17		131328-40630	COVER, VENT	1		
18		V471-005421	PIPE	1	3*6*30	
19		V490-001230	CLIP	1		
20		V471-005430	PIPE	1	3*6*170	
21		V186-000500	JOINT,PIPE	1		
22		V475-009460	TUBE	1	16*18*90	
23		V490-000510	CLIP	2		

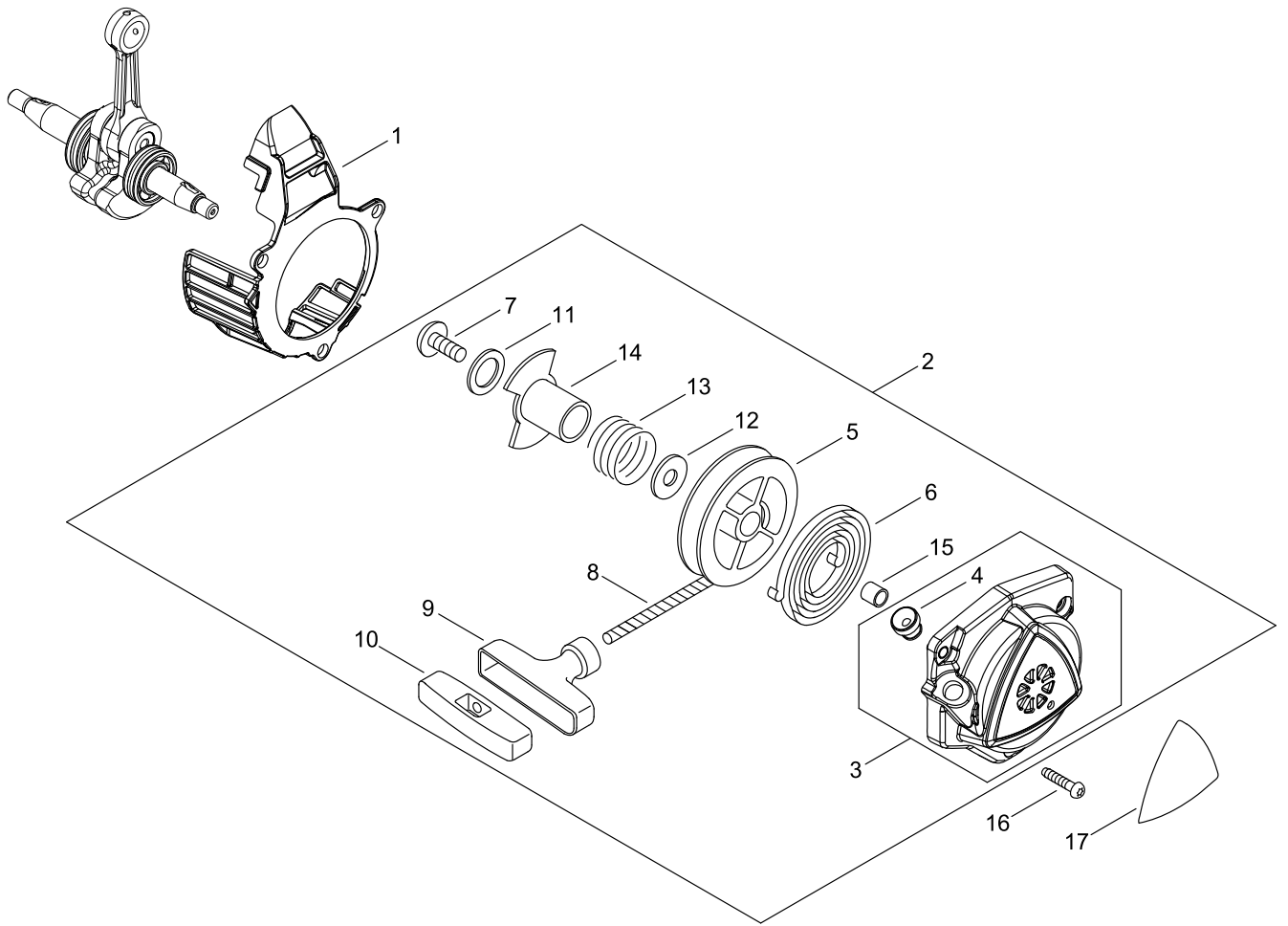
MUFFLER



MUFFLER

KEY NO	LV(+)	Part No	Description	Qty	Standard	Comment
1		P100-006321	MUFFLER ASY	1		
2	+	A310-000540	SCREEN, ARRESTOR	1		
3	+	V804-000030	BOLT, TORX 4	1	TB-4*8 10.9	
4		A312-000140	PLATE, EXHUST	1	T2.0	
5		V104-002440	GASKET,EXHAUST	1	T0.5	
6		V104-002430	GASKET,EXHAUST	1	T=1.0	
7		V806-000010	BOLT, TORX 6	3	TB-6*20 10.9	

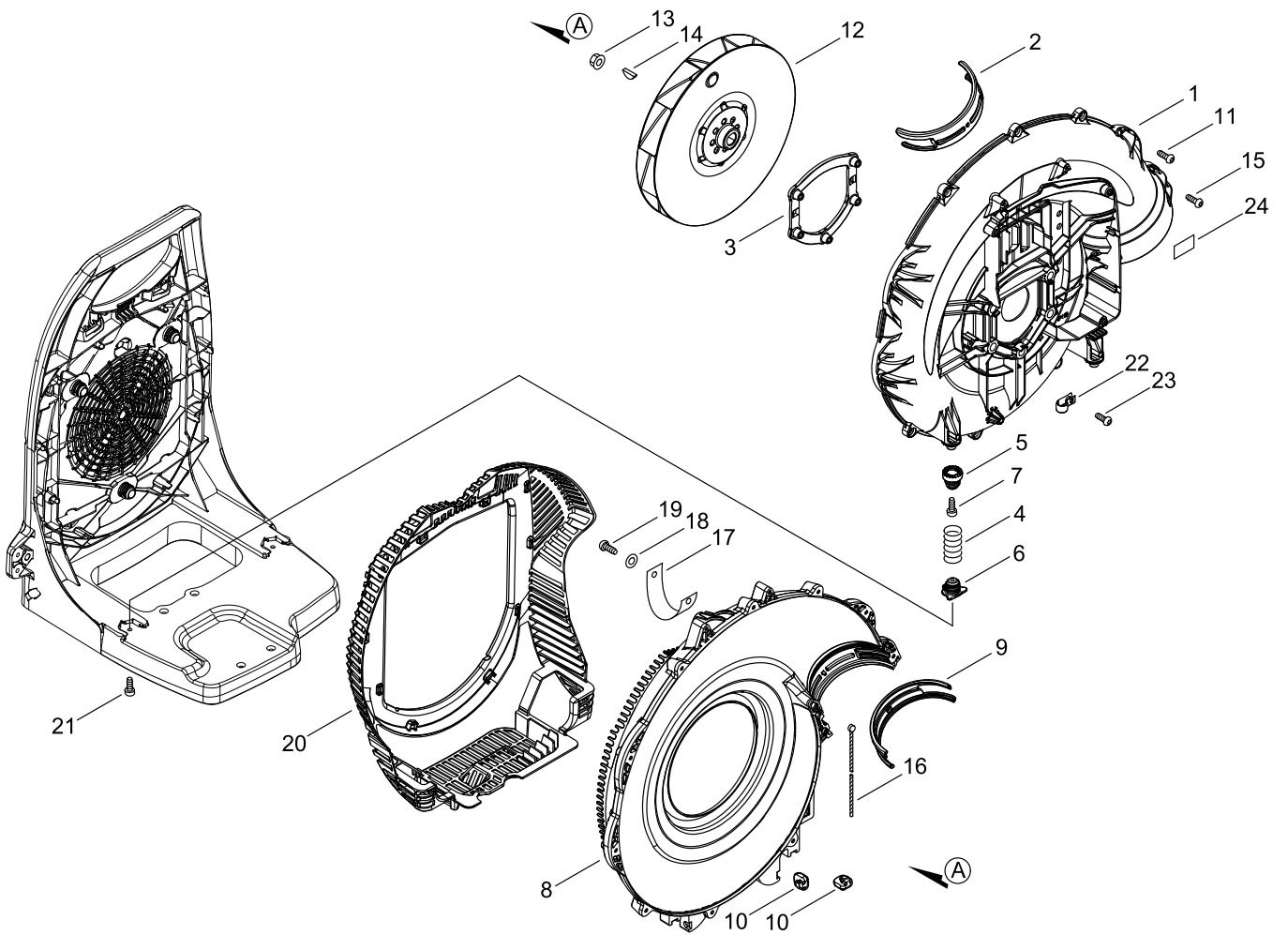
RECOIL STARTER



RECOIL STARTER

KEY NO	LV(+)	Part No	Description	Qty	Standard	Comment
1		V376-002611	SPACER	1		
2		A051-003410	STARTER,RECOIL ASY	1	ASSY	
3	+	P022-052810	CASE, STARTER	1		
4	++	P022-045770	GUIDE, ROPE	1		
5	+	P022-052820	DRUM, STARTER	1		
6	+	P022-052830	SPRING, SPIRAL	1		
7	+	177236-61830	SCREW	1		
8	+	P022-052840	ROPE, STARTER	1		
9	+	177228-11620	GRIP, STARTER	1		
10	+	P022-010260	CAP, GRIP	1		
11	+	P022-052850	WASHER, THRUST	1		
12	+	P022-052860	WASHER	1		
13	+	P022-052870	SPRING, FRICTION	1		
14	+	P022-052880	PLATE, FRICTION	1		
15	+	P022-052890	COLLAR	1		
16		V805-000010	BOLT, TORX 5	3	TT-5*20 DG 10.9	
17		X502-001160	LABEL,ECHO	1	ECHO	

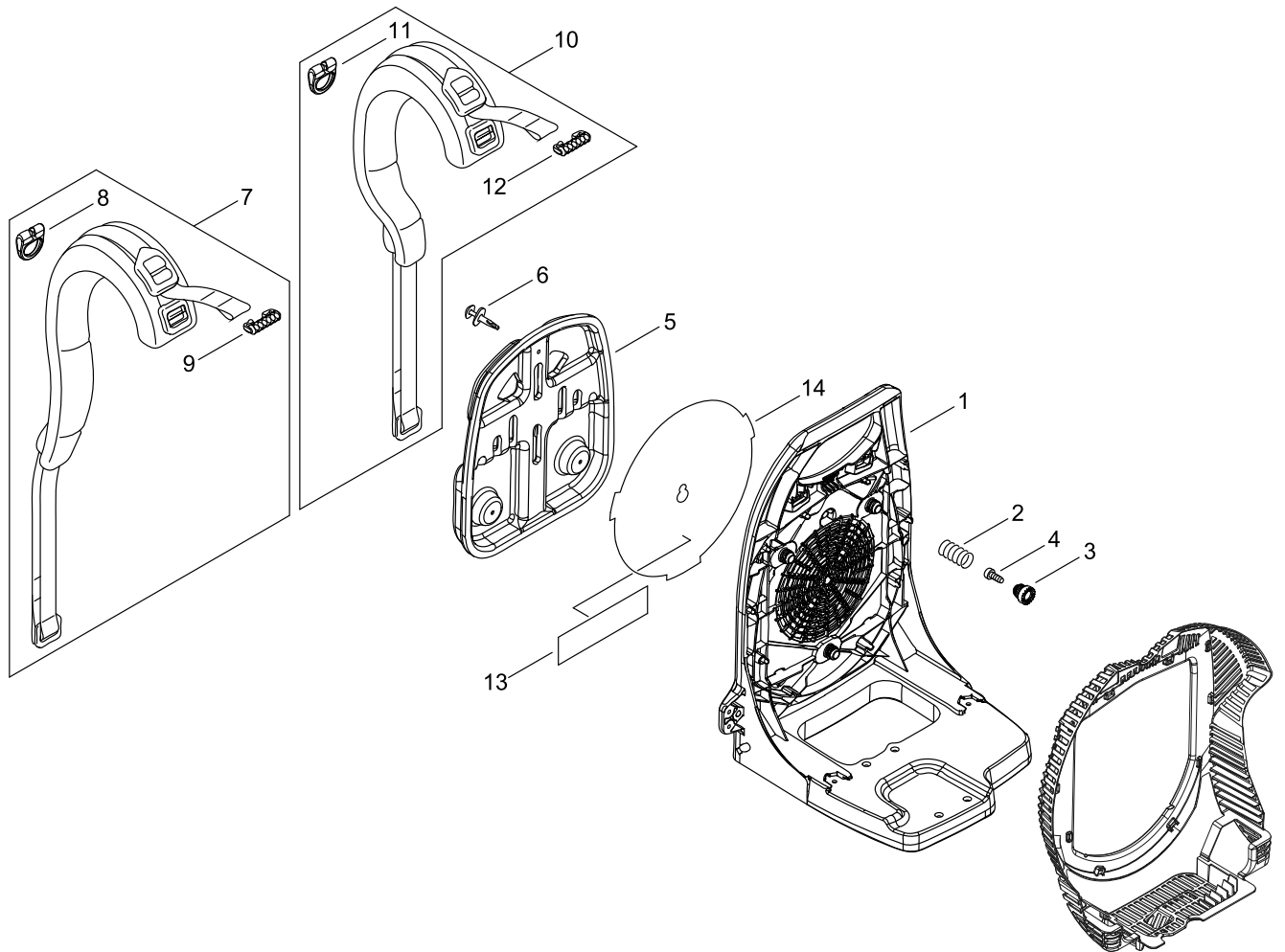
FAN CASE



FAN CASE

KEY NO	LV(+)	Part No	Description	Qty	Standard	Comment
1		E103-001581	CASE,FAN	1	E SIDE	
2		V376-002620	SPACER	1		
3		C632-000270	PLATE, ENG	1		
4		V450-000780	SPRING,COMPRESSION	2	2.6-19.4-46.2	
5		V456-000331	HOLDER,SPRING	2		
6		V456-000380	HOLDER,SPRING	2		
7		V805-000010	BOLT, TORX 5	2	TT-5*20 DG 10.9	
8		E103-001620	CASE,FAN	1	G SIDE	
9		V376-002620	SPACER	1		
10		V420-005410	CUSHION	4		
11		V805-000010	BOLT, TORX 5	9	TT-5*20 DG 10.9	
12		E100-000300	FAN,BLOWER	1		
13		900519-00010	NUT, FLANGE	1	10	
14		900323-03014	KEY, WOODRUFF	1	3*14	
15		V805-000010	BOLT, TORX 5	2	TT-5*20 DG 10.9	
16		V485-003160	LEAD	1		
17		C651-000120	BELT, HARNESS	1	T1.2*20*170	
18		131911-03460	WASHER	1		
19		V805-000010	BOLT, TORX 5	1	TT-5*20 DG 10.9	
20		E104-000290	GRID, BLOWER	1		
21		V805-000010	BOLT, TORX 5	2	TT-5*20 DG 10.9	
22		132112-22031	CLIP, FUEL PIPE	1		
23		V805-000010	BOLT, TORX 5	1	TT-5*20 DG 10.9	
24		X505-010760	LABEL,CAUTION	1	ISO SYMBOL PB	

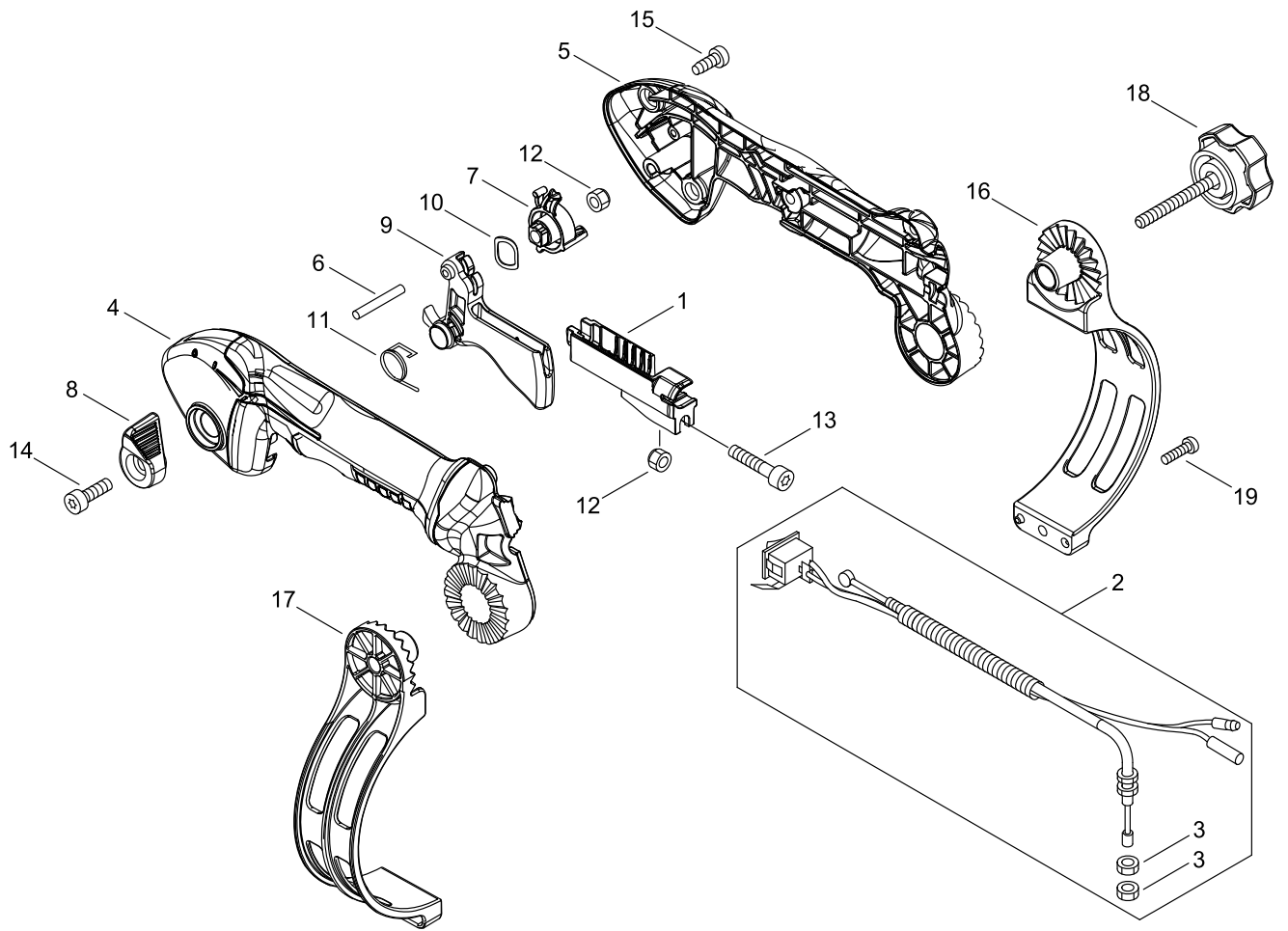
BACKPACK HARNESS



BACKPACK HARNESS

KEY NO	LV(+)	Part No	Description	Qty	Standard	Comment
1		C620-000530	FRAME, BACKPACK	1		
2		V450-000780	SPRING, COMPRESSION	3	2.6-19.4-46.2	
3		V456-000331	HOLDER, SPRING	3		
4		V805-000010	BOLT, TORX 5	3	TT-5*20 DG 10.9	
5		C630-000280	SEAT, BACKPACK	1		
6		V491-000540	CLIP	3	PUSH FASTENER	
7		P100-008031	HARNESS KIT	1		
8	+	C645-000080	BUCKLE, HARNESS	2		
9	+	V491-000480	CLIP	1		
10		P100-008041	HARNESS KIT	1		
11	+	C645-000080	BUCKLE, HARNESS	2		
12	+	V491-000480	CLIP	1		
13		X505-009090	LABEL, CAUTION	1		
14		C635-000010	LID, SEAT	1		

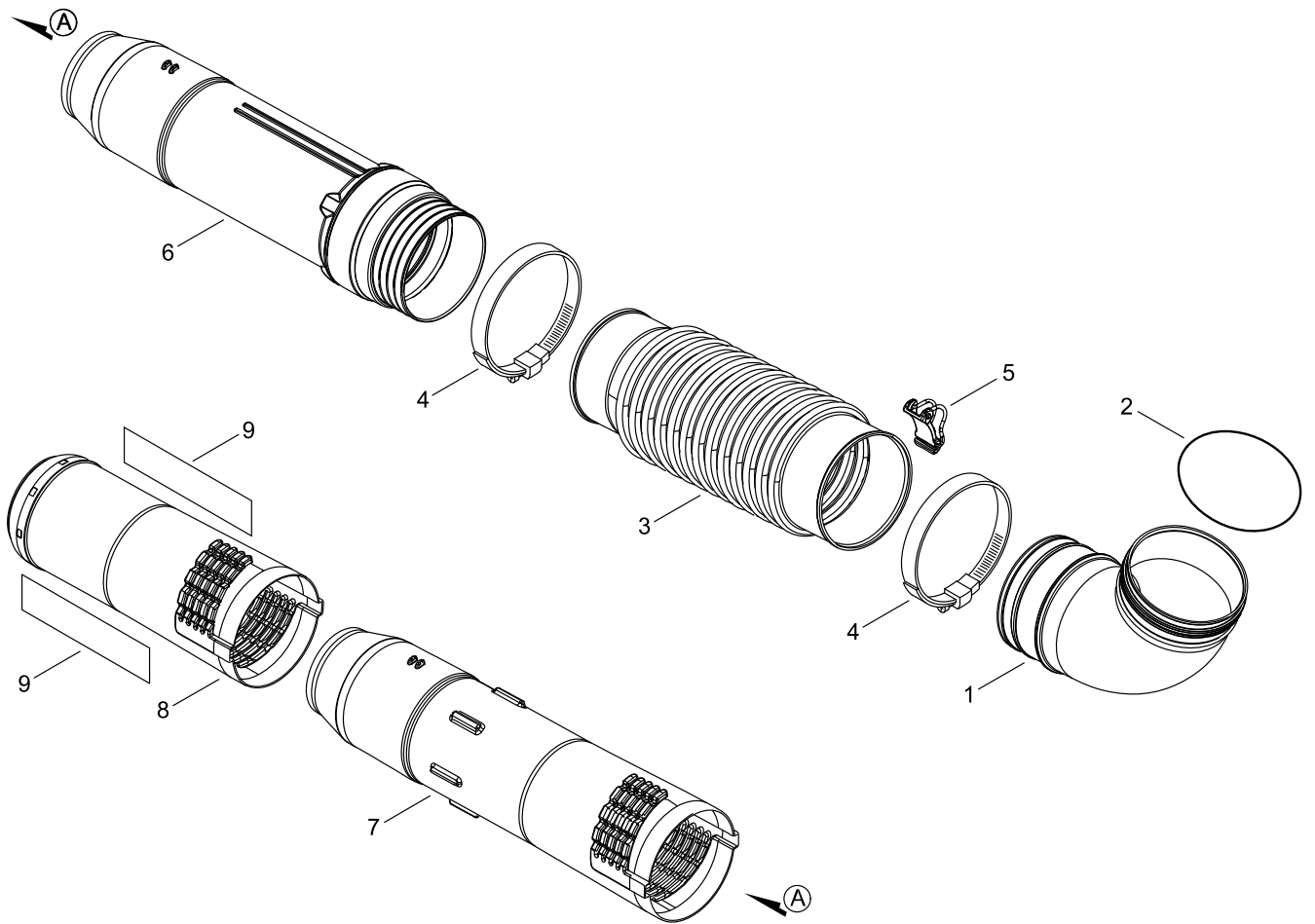
THROTTLE



THROTTLE

KEY NO	LV(+)	Part No	Description	Qty	Standard	Comment
1		C482-000101	CONNECTOR, CABLE	1		
2		V043-001210	CABLE ASY, CONTROL	1		
3	+	900502-00006	NUT	2	6	
4		C400-001532	HANDLE,FRONT	1	LEFT GRIP 2SHOT	
5		C400-001541	HANDLE,FRONT	1	RIGHT GRIP 2SHOT	
6		V621-000040	PIN,STRAIGHT 3	1	3*32	
7		C453-000580	LEVER, THROTTLE	1		
8		C453-000560	LEVER, THROTTLE	1		
9		C450-000941	CONTROL, THROTTLE	1		
10		429752-01850	WASHER, WAVE 12	1		
11		V452-001630	SPRING,TORSION	1	SPRING	
12		900562-50005	NUT, LOCK	2	5	
13		V805-000050	BOLT, TORX 5	1	TB-5*30 10.9	
14		V805-000160	BOLT, TORX 5	1	TB-5*20 10.9	
15		V805-000000	BOLT, TORX 5	4	TT-5*16 DG 10.9	
16		C405-000620	BRACKET,HANDLE	1		
17		C405-000630	BRACKET,HANDLE	1		
18		V299-000630	KNOB,FASTENER	1	BOLT/ V299520010X	
19		V805-000010	BOLT, TORX 5	1	TT-5*20 DG 10.9	

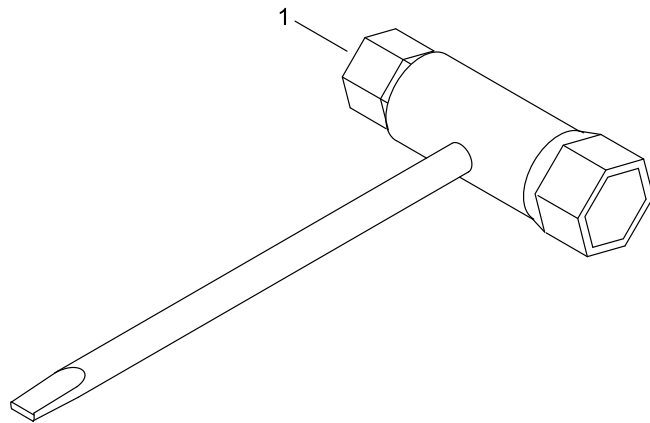
PIPE



PIPE

KEY NO	LV(+)	Part No	Description	Qty	Standard	Comment
1		E160-000200	PIPE,MAIN	1		
2		92501-12000	O-RING	1	G120	
3		E164-000150	PIPE,FLEXIBLE	1		
4		V495-003850	BAND	2	SET TO 110MM MIN	
5		C487-000420	HOLDER, CABLE	1	CABLE HOLDER ASM	
6		E165-001090	PIPE,BLOWER	1	VERSION 2 "T	
7		E165-001070	PIPE,BLOWER	1	VERSION 2	
8		E165-001000	PIPE,BLOWER	1		
9		890118-04262	LABEL, ECHO	2	194*44	

ACCESSORIES



ACCESSORIES

KEY NO	LV(+)	Part No	Description	Qty	Standard	Comment
1		X602-000160	PLUG WRENCH	1		

NUMERICAL PARTS INDEX

Part No	Part description	Page	Part No	Part description	Page	Part No	Part description	Page
100015-3-0830	CIRCLIP, PISTON PIN	2	890118-0-4262	LABEL, ECHO	24	A310-00-0540	SCREEN, ARRESTOR	14
123110-0-5560	SCREW, PUMP COVER	10	900323-0-3014	KEY, WOODRUFF	6	A312-00-0140	PLATE, EXHUST	14
123114-4-0630	SCREW	10	900323-0-3014	KEY, WOODRUFF	18	A350-00-2690	TANK, FUEL	12
123122-0-5560	SPRING, METER. LEVER	10	900502-0-0006	NUT	22	A356-00-0031	VALVE,CHECK	12
123123-0-3930	LEVER, METERING	10	900519-0-0010	NUT, FLANGE	6	A365-00-0060	CONNECTOR,CAP	12
123126-1-0631	SCREEN, INLET	10	900519-0-0010	NUT, FLANGE	18	A369-00-0460	STRAINER, FUEL	12
123137-1-9830	VALVE, INLET NEEDLE	10	900562-5-0005	NUT, LOCK	22	A392-00-0460	BAND, FUEL TANK	12
123138-0-3930	PIN, METERING LEVER	10	92501-12-000	O-RING	24	A409-00-1370	ROTOR, MAGNETO	6
123140-0-5560	GASKET, M. DIAPHRAGM	10	A021-00-4920	CARBURETOR, DIAPHRAGM	8	A411-00-1870	COIL, IGNITION	6
123142-0-5560	COVER, PRIMER PUMP	10	A021-00-4920	CARBURETOR, DIAPHRAGM	10	A425-00-0060	SPARKPLUG	6
123149-5-4230	WASHER	10	A051-00-3410	STARTER,RECOIL ASY	16	A427-00-0230	CAP,SPARK PLUG	6
123172-4-5130	SWIVEL	10	A101-00-0750	RING, PISTON	2	C400-00-1532	HANDLE,FRONT	22
123173-0-7930	CLIP	10	A160-00-3600	COVER,CYLINDER	2	C400-00-1541	HANDLE,FRONT	22
123181-4-0630	PUMP, PRIMER	10	A161-00-0400	DUCT, AIR	8	C405-00-0620	BRACKET,HANDLE	22
123183-4-0630	O-RING	10	A190-00-1651	COVER,ENGINE	2	C405-00-0630	BRACKET,HANDLE	22
131328-4-0630	COVER, VENT	12	A200-00-1210	INSULATOR, INTAKE	8	C450-00-0941	CONTROL, THROTTLE	22
131911-0-3460	WASHER	12	A221-00-0040	FIXTURE, CLEANER	8	C453-00-0560	LEVER, THROTTLE	22
131911-0-3460	WASHER	18	A225-00-0740	CASE,CLEANER	8	C453-00-0580	LEVER, THROTTLE	22
132112-2-2031	CLIP, FUEL PIPE	18	A226-00-2070	ELEMENT, AIR FILTER	8	C482-00-0101	CONNECTOR, CABLE	22
132115-5-5931	GROMMET, FUEL	12	A226-00-2250	ELEMENT, AIR FILTER	8	C487-00-0420	HOLDER, CABLE	24
159011-0-3432	COIL, SPARK PLUG	6	A232-00-2000	LID,CLEANER	8	C620-00-0530	FRAME, BACKPACK	20
177228-1-1620	GRIP, STARTER	16	A235-00-0460	KNOB,CLEANER LID	8	C630-00-0280	SEAT, BACKPACK	20
177236-6-1830	SCREW	16	A239-00-0120	PIPE, INTAKE	8	C632-00-0270	PLATE, ENG	18
429752-0-1850	WASHER, WAVE 12	22	A246-00-0050	CAP,CARBURETOR	8	C635-00-0010	LID,SEAT	20

NUMERICAL PARTS INDEX

Part No	Part description	Page	Part No	Part description	Page	Part No	Part description	Page
C645-00-0080	BUCKLE, HARNESS	20	P022-05-2820	DRUM, STARTER	16	V186-00-0500	JOINT,PIPE	12
C651-00-0120	BELT, HARNESS	18	P022-05-2830	SPRING, SPIRAL	16	V202-00-0750	BOLT,4	6
E100-00-0300	FAN,BLOWER	18	P022-05-2840	ROPE, STARTER	16	V203-00-2430	BOLT,5	8
E103-00-1581	CASE,FAN	18	P022-05-2850	WASHER, THRUST	16	V204-00-1830	BOLT,6	4
E103-00-1620	CASE,FAN	18	P022-05-2860	WASHER	16	V253-00-0990	SCREW,5	12
E104-00-0290	GRID, BLOWER	18	P022-05-2870	SPRING, FRICTION	16	V299-00-0630	KNOB,FASTENER	22
E160-00-0200	PIPE,MAIN	24	P022-05-2880	PLATE, FRICTION	16	V352-00-0300	COLLAR,4	6
E164-00-0150	PIPE,FLEXIBLE	24	P022-05-2890	COLLAR	16	V376-00-2611	SPACER	16
E165-00-1000	PIPE,BLOWER	24	P100-00-6310	CRANKCASE SET	4	V376-00-2620	SPACER	18
E165-00-1070	PIPE,BLOWER	24	P100-00-6321	MUFFLER ASY	14	V420-00-5400	CUSHION	12
E165-00-1090	PIPE,BLOWER	24	P100-00-8020	PISTON KIT	2	V420-00-5410	CUSHION	18
P003-00-1850	DIAPHRAGM, METERING	10	P100-00-8031	HARNESS KIT	20	V450-00-0780	SPRING, COMPRESSION	18
P003-00-3980	BODY, AIR PURGE	10	P100-00-8041	HARNESS KIT	20	V450-00-0780	SPRING, COMPRESSION	20
P003-00-4100	GASKET, PUMP	10	P100-00-8280	CYLINDER ASY	2	V452-00-1630	SPRING,TORSION	22
P003-00-5510	SCREW	10	P200-00-1000	CRANKSHAFT ASY	2	V456-00-0331	HOLDER,SPRING	18
P003-00-5650	DIAPHRAGM, FUEL PUMP	10	V043-00-1210	CABLE ASY, CONTROL	22	V456-00-0331	HOLDER,SPRING	20
P003-00-5880	NEEDLE	10	V100-00-0880	GASKET,CYL	2	V456-00-0380	HOLDER,SPRING	18
P003-00-6180	BODY ASSEMBLY, PUMP	10	V102-00-0320	GASKET, CRANKCASE	4	V471-00-1231	PIPE	12
P003-00-6190	BRACKET CABLE	10	V103-00-2050	GASKET,INTAKE	8	V471-00-5410	PIPE	12
P003-00-6200	JET	10	V103-00-2060	GASKET,INTAKE	8	V471-00-5421	PIPE	12
P021-01-2211	CAP,FUEL ASY	12	V103-00-2150	GASKET,INTAKE	8	V471-00-5430	PIPE	12
P022-01-0260	CAP, GRIP	16	V104-00-2430	GASKET,EXHAUST	14	V475-00-7540	TUBE	6
P022-04-5770	GUIDE, ROPE	16	V104-00-2440	GASKET,EXHAUST	14	V475-00-9460	TUBE	12
P022-05-2810	CASE, STARTER	16	V107-00-0190	GASKET,FUEL CAP	12	V485-00-3160	LEAD	18

NUMERICAL PARTS INDEX

Part No	Part description	Page	Part No	Part description	Page
V485-00-3170	LEAD	4	V805-00-0010	BOLT, TORX 5	16
V485-00-3180	LEAD	6	V805-00-0010	BOLT, TORX 5	18
V490-00-0510	CLIP	12	V805-00-0010	BOLT, TORX 5	20
V490-00-1230	CLIP	12	V805-00-0010	BOLT, TORX 5	22
V490-00-1240	CLIP	12	V805-00-0050	BOLT, TORX 5	22
V491-00-0480	CLIP	20	V805-00-0100	BOLT, TORX 5	8
V491-00-0540	CLIP	20	V805-00-0160	BOLT, TORX 5	22
V495-00-0440	BAND	8	V805-00-0290	BOLT, TORX 5	4
V495-00-0590	BAND	8	V806-00-0010	BOLT, TORX 6	14
V495-00-3850	BAND	24	V855-00-0010	BOLT, TORX 5	2
V508-00-0100	SEAL,OIL 15	4	X502-00-1160	LABEL,ECHO	16
V510-00-0030	OIL SEAL	4	X503-01-5360	LABEL,MODEL	8
V558-00-0020	BEARING,NEEDLE 13	2	X505-00-9090	LABEL,CAUTION	20
V582-00-0300	RING,SNAP	8	X505-01-0760	LABEL,CAUTION	18
V592-00-0490	BEARING, BALL	2	X602-00-0160	PLUG WRENCH	26
V592-00-0510	BEARING, BALL	2			
V611-00-0020	PIN,ENG 13	2			
V621-00-0040	PIN,STRAIGHT 3	22			
V804-00-0000	BOLT, TORX 4	8			
V804-00-0030	BOLT, TORX 4	2			
V804-00-0030	BOLT, TORX 4	14			
V805-00-0000	BOLT, TORX 5	22			
V805-00-0010	BOLT, TORX 5	2			
V805-00-0010	BOLT, TORX 5	8			