

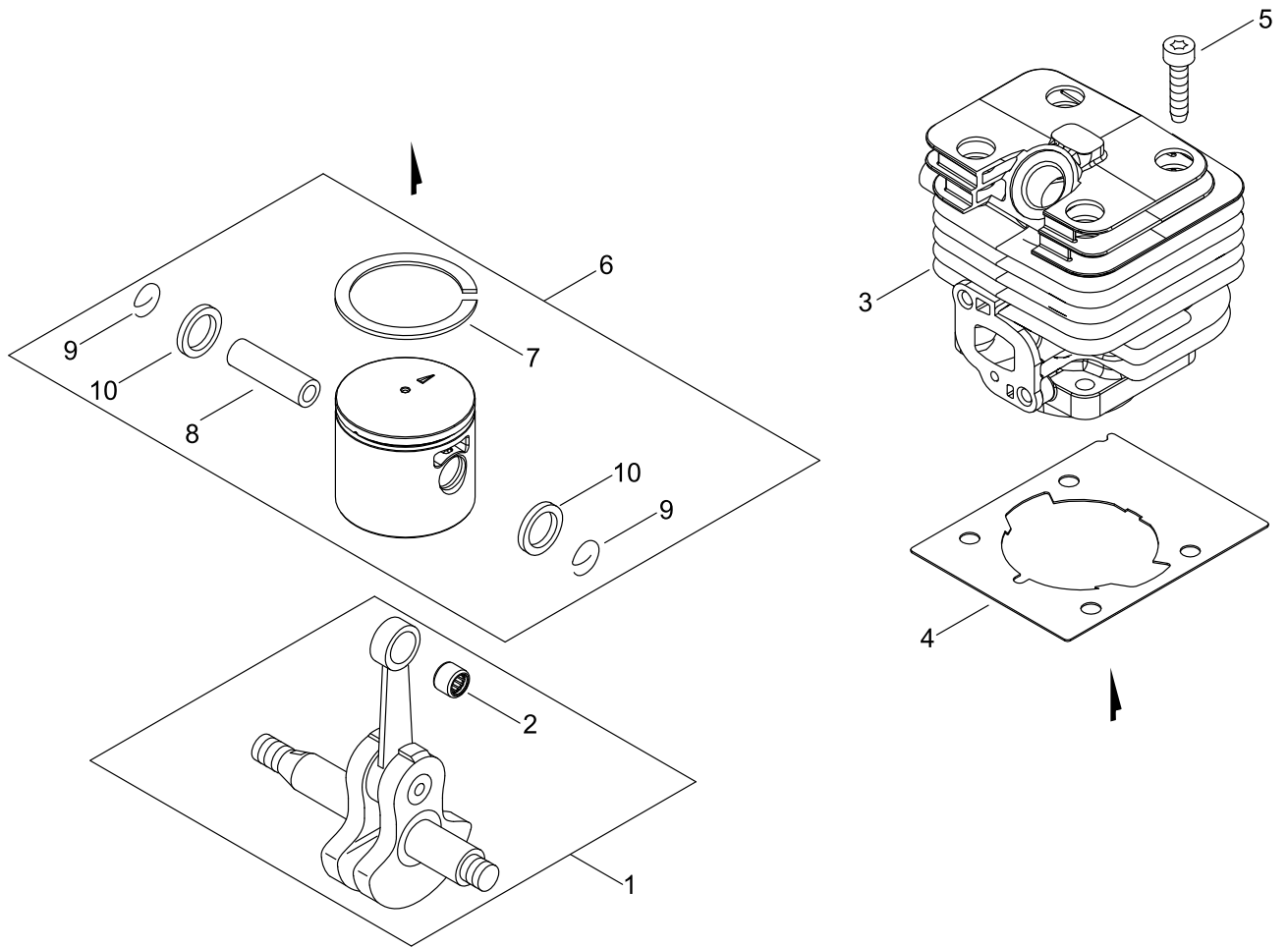
PB-2520

Published:11/24/2017

TABLE OF CONTENTS

| | |
|-----------------------------------|----|
| CYLINDER, PISTON, CRANKSHAFT..... | 1 |
| CRANKCASE | 3 |
| MAGNETO..... | 5 |
| AIR CLEANER, CARBURETOR..... | 7 |
| CARBURETOR..... | 9 |
| FUEL TANK..... | 11 |
| MUFFLER | 13 |
| RECOIL STARTER, PULLY | 15 |
| FAN CASE | 17 |
| THROTTLE | 19 |
| PIPE..... | 21 |
| ACCESSORIES | 23 |

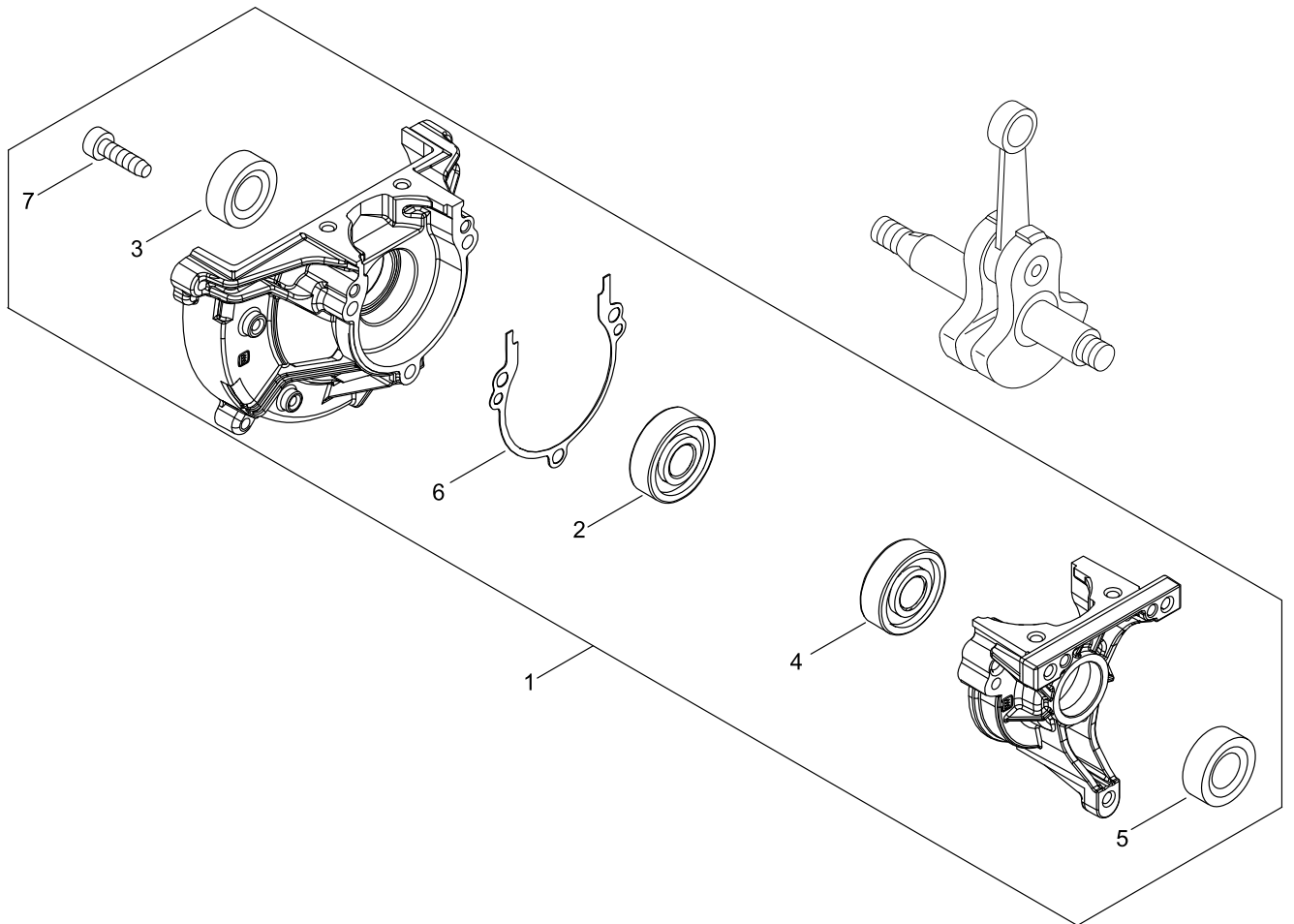
CYLINDER, PISTON, CRANKSHAFT



CYLINDER, PISTON, CRANKSHAFT

| KEY NO | LV(+) | Part No | Description | Qty | Standard | Comment |
|--------|-------|--------------|---------------------|-----|--------------|---------|
| 1 | | A011-001510 | CRANKSHAFT,ASY | 1 | | |
| 2 | + | V554-000030 | BEARING,NEEDLE 9 | 1 | HK0910MPX1V2 | |
| 3 | | A130-002340 | CYLINDER | 1 | | |
| 4 | | V100-000860 | GASKET,CYL | 1 | T0.5 | |
| 5 | | V805-000210 | BOLT, TORX 5 | 4 | TB-5*20 12.9 | |
| 6 | | P100-003800 | PISTON KIT | 1 | | |
| 7 | + | A101-000720 | RING, PISTON | 1 | 34*1.5*1.5 | |
| 8 | + | 100013-35430 | PIN, PISTON | 1 | 6*9*27.8 | |
| 9 | + | 100015-03931 | CIRCLIP, PISTON PIN | 2 | | |
| 10 | + | V306-000520 | WASHER,CIRCULAR 8 | 2 | 9.2*14*T0.8 | |

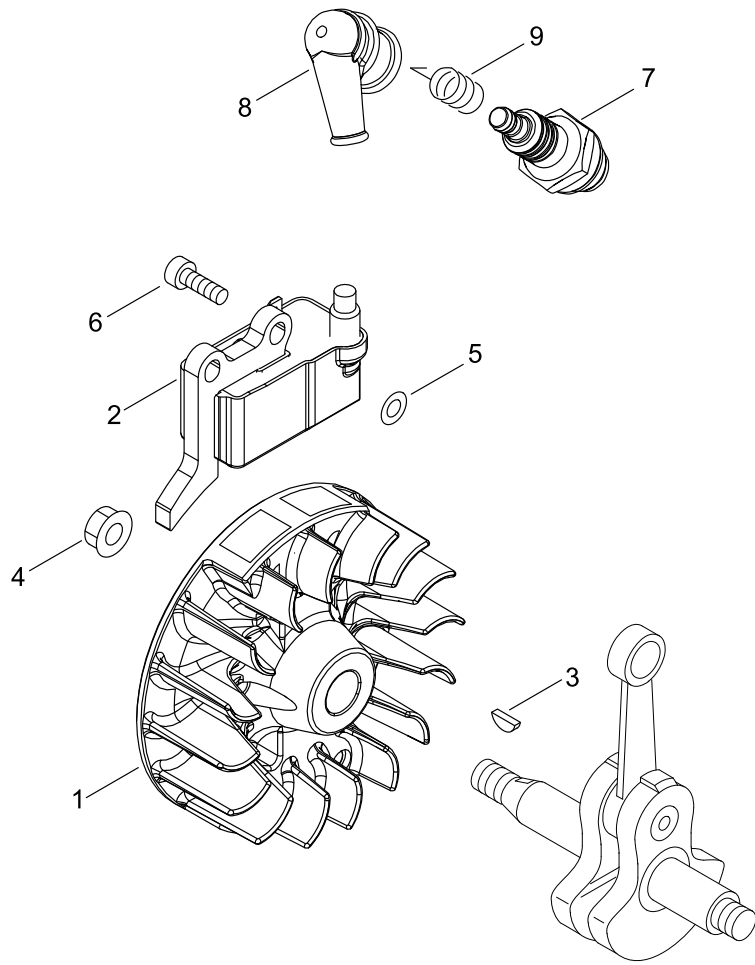
CRANKCASE



CRANKCASE

| KEY NO | LV(+) | Part No | Description | Qty | Standard | Comment |
|--------|-------|--------------|--------------------|-----|----------------|---------|
| 1 | | P100-003810 | CRANK CASE SET | 1 | | |
| 2 | + | 900800-36001 | BEARING, BALL 6001 | 1 | 6001/C3 | |
| 3 | + | 100212-42031 | OILSEAL | 1 | ISCD 12*22*4.5 | |
| 4 | + | 900810-36000 | BEARING, BALL | 1 | | |
| 5 | + | 100212-61830 | OILSEAL | 1 | ISCD 10*20*5 | |
| 6 | + | V102-000300 | GASKET,CRANKCASE | 1 | | |
| 7 | + | V805-000220 | BOLT, TORX 5 | 3 | TB-5*25 12.9 | |

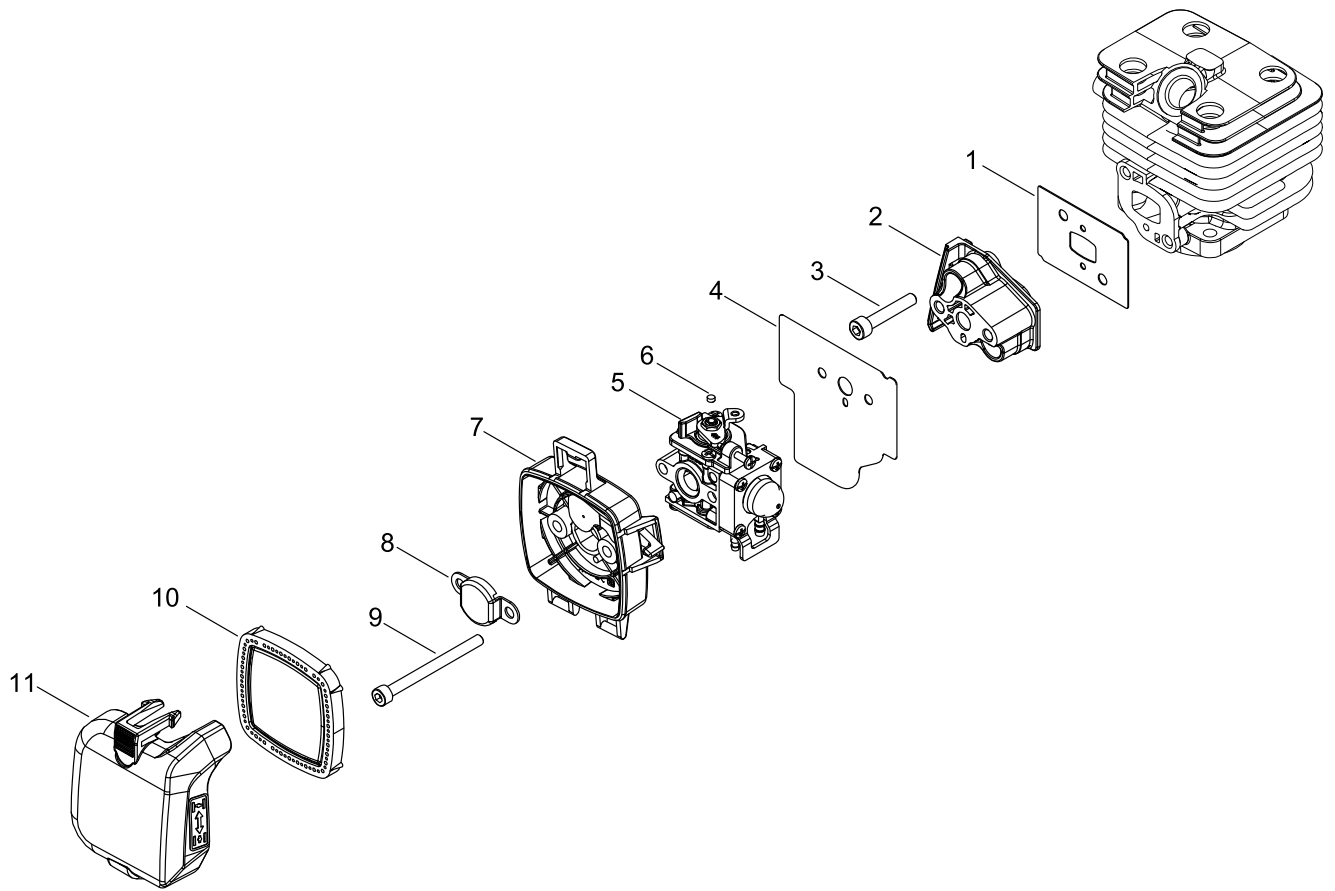
MAGNETO



MAGNETO

| KEY NO | LV(+) | Part No | Description | Qty | Standard | Comment |
|--------|-------|--------------|--------------------|-----|--------------|---------|
| 1 | | A409-001320 | ROTOR, MAGNETO | 1 | | |
| 2 | | A411-001750 | COIL, IGNITION | 1 | ID#A10083 | |
| 3 | | 100142-12330 | KEY, WOODRUFF | 1 | | |
| 4 | | 900515-00008 | NUT, FLANGE 8 | 1 | 8 | |
| 5 | | V323-000070 | WASHER,CIRCULAR 5 | 2 | 5.2*10*3 | |
| 6 | | V805-000210 | BOLT, TORX 5 | 2 | TB-5*20 12.9 | |
| 7 | | A425-000000 | SPARKPLUG | 1 | BPMR8Y | |
| 8 | | A427-000013 | CAP,SPARK PLUG | 1 | | |
| 9 | | A426-000010 | TERMINAL,SPARKPLUG | 1 | | |

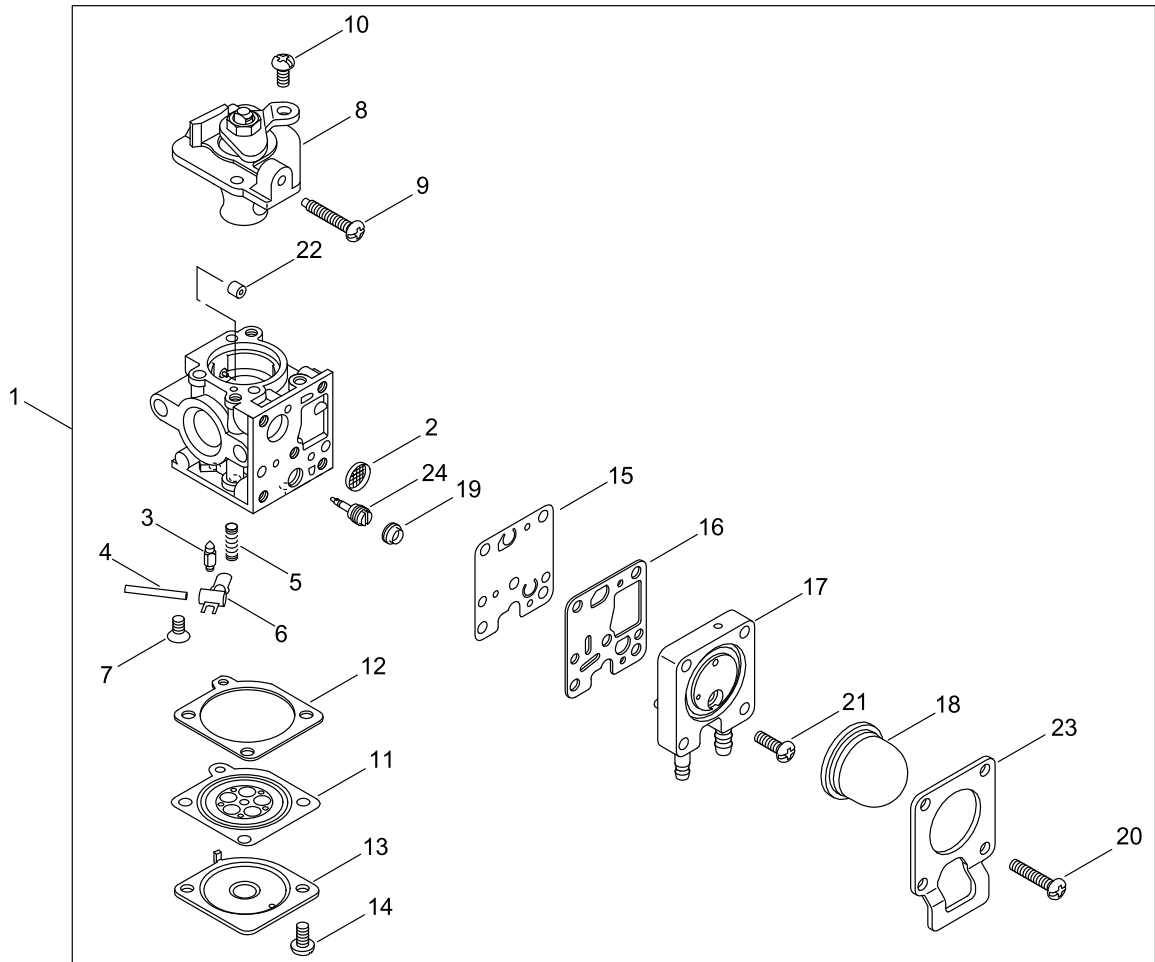
AIR CLEANER, CARBURETOR



AIR CLEANER, CARBURETOR

| KEY NO | LV(+) | Part No | Description | Qty | Standard | Comment |
|--------|-------|-------------|--------------------------|-----|-------------------|---------|
| 1 | | V103-001950 | GASKET,INTAKE | 1 | AF74 T0.5 | |
| 2 | | A200-001130 | INSULATOR, INTAKE | 1 | | |
| 3 | | V805-000210 | BOLT, TORX 5 | 2 | TB-5*20 12.9 | |
| 4 | | V103-001960 | GASKET,INTAKE | 1 | AF5400 T0.5 | |
| 5 | | A021-004700 | CARBURETOR, DIAPHRAGM | 1 | ZAMA RE110147A | |
| 6 | | A259-000010 | CAP,LIMITER | 1 | | |
| 7 | | P100-003820 | CASE,CLEANER | 1 | | |
| 8 | | A244-000330 | PLATE, PREVENT | 1 | | |
| 9 | | V805-000100 | BOLT, TORX 5 | 2 | TB-5*65 10.9 | |
| 10 | | A226-002160 | ELEMENT, AIR FILTER | 1 | ID 2520 | |
| 11 | | A232-001920 | LID,CLEANER | 1 | | |

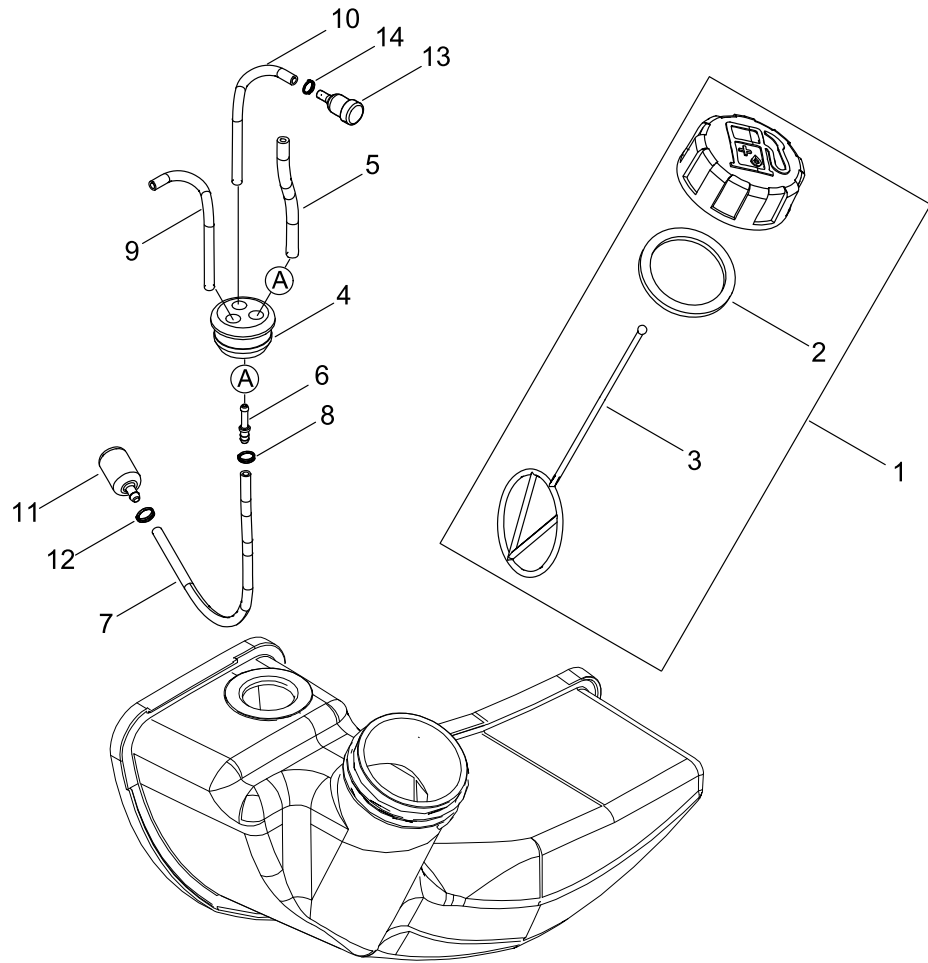
CARBURETOR



CARBURETOR

| KEY NO | LV(+) | Part No | Description | Qty | Standard | Comment |
|--------|-------|--------------|--------------------------|-----|-------------------|---------|
| 1 | | A021-004700 | CARBURETOR, DIAPHRAGM | 1 | ZAMA RE110147A | |
| 2 | + | P005-000010 | STRAINER | 1 | | |
| 3 | + | P005-004030 | VALVE, INLET NEEDLE | 1 | | |
| 4 | + | 125338-13930 | PIN, METERING ARM | 1 | | |
| 5 | + | P005-000940 | SPRING, METER. LEVER | 1 | | |
| 6 | + | 125323-08260 | ARM, VALVE | 1 | | |
| 7 | + | 125339-42030 | SCREW | 1 | | |
| 8 | + | P005-004040 | COVER ASY, ROTOR | 1 | | |
| 9 | + | P005-000100 | SCREW, THROTTLEADJUST | 1 | | |
| 10 | + | 125344-13931 | SCREW | 2 | | |
| 11 | + | P005-003760 | DIAPHRAGM ,METERING | 1 | | |
| 12 | + | P005-000200 | GASKET, METERING | 1 | | |
| 13 | + | 125342-52130 | COVER, DIAPHRAGM | 1 | | |
| 14 | + | 125344-52130 | SCREW | 2 | | |
| 15 | + | P005-000510 | DIAPHRAGM, PUMP | 1 | | |
| 16 | + | P005-000520 | GASKET, PUMP | 1 | | |
| 17 | + | P005-004020 | BASE, ASY PRIMER | 1 | | |
| 18 | + | P005-003110 | PUMP, PRIMER | 1 | | |
| 19 | + | P005-001250 | RETAINER,PLUG BALL | 1 | | |
| 20 | + | P005-001900 | SCREW | 4 | | |
| 21 | + | P005-000270 | SCREW | 1 | | |
| 22 | + | P005-001000 | ROLLER, GUIDE | 1 | | |
| 23 | + | P005-000250 | RETAINER | 1 | | |
| 24 | + | P005-004050 | SCREW,MAIN MIXTURE | 1 | | |

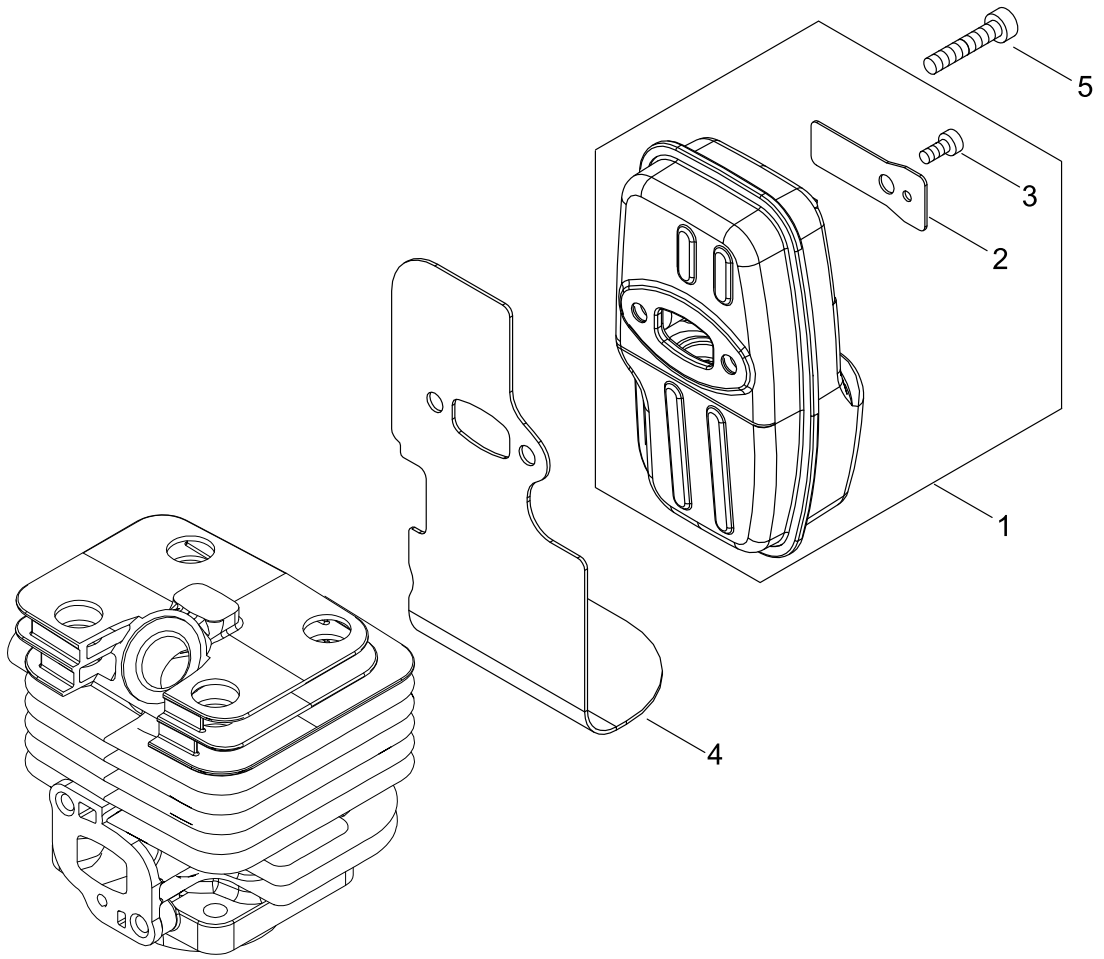
FUEL TANK



FUEL TANK

| KEY NO | LV(+) | Part No | Description | Qty | Standard | Comment |
|--------|-------|--------------|------------------|-----|-----------|---------|
| 1 | | P100-001880 | CAP ASY,TANK | 1 | | |
| 2 | + | 131016-55830 | GASKET, FUEL CAP | 1 | | |
| 3 | + | 131051-56030 | CLIP, FUEL CAP | 1 | 100L | |
| 4 | | 132115-46730 | GROMMET, FUEL | 1 | | |
| 5 | | V471-005240 | PIPE | 1 | 3*5*80 | |
| 6 | | V186-000520 | JOINT,PIPE | 1 | | |
| 7 | | V471-003730 | PIPE | 1 | | |
| 8 | | V490-001240 | CLIP | 1 | | |
| 9 | | 132010-49730 | PIPE 3*6*85 | 1 | 3*6*85 YL | |
| 10 | | V471-005250 | PIPE | 1 | 3*5*60 | |
| 11 | | A369-000470 | STRAINER, FUEL | 1 | | |
| 12 | | V490-001240 | CLIP | 1 | | |
| 13 | | A356-000031 | VALVE,CHECK | 1 | | |
| 14 | | V490-001240 | CLIP | 1 | | |

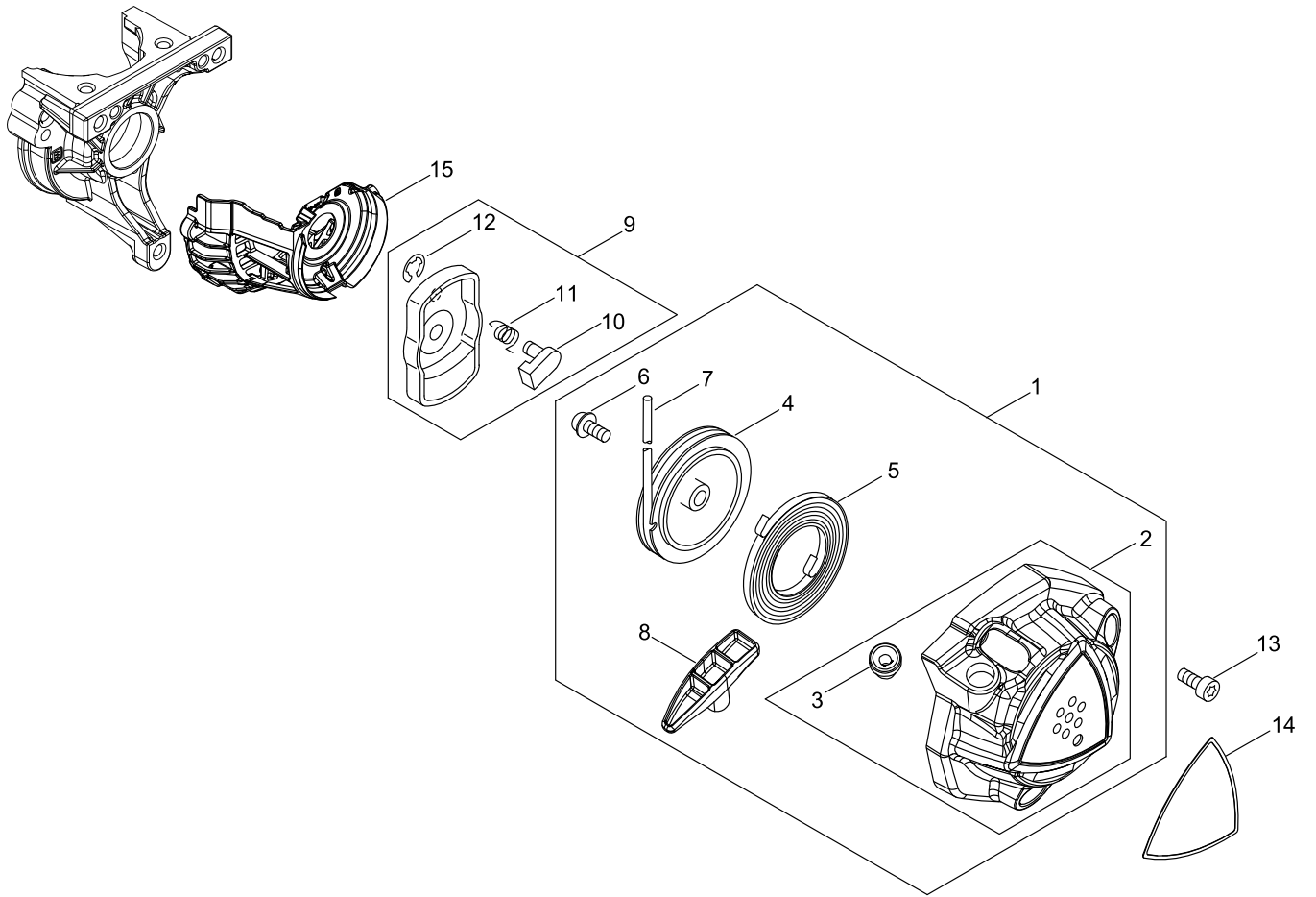
MUFFLER



MUFFLER

| KEY NO | LV(+) | Part No | Description | Qty | Standard | Comment |
|--------|-------|-------------|------------------|-----|--------------|---------|
| 1 | | P100-003840 | MUFFLER ASY | 1 | | |
| 2 | + | A310-000510 | SCREEN, ARRESTOR | 1 | 17*41.5 | |
| 3 | + | V804-000030 | BOLT, TORX 4 | 1 | TB-4*8 10.9 | |
| 4 | | V104-002350 | GASKET,EXHAUST | 1 | T1.0 | |
| 5 | | V805-000210 | BOLT, TORX 5 | 2 | TB-5*20 12.9 | |

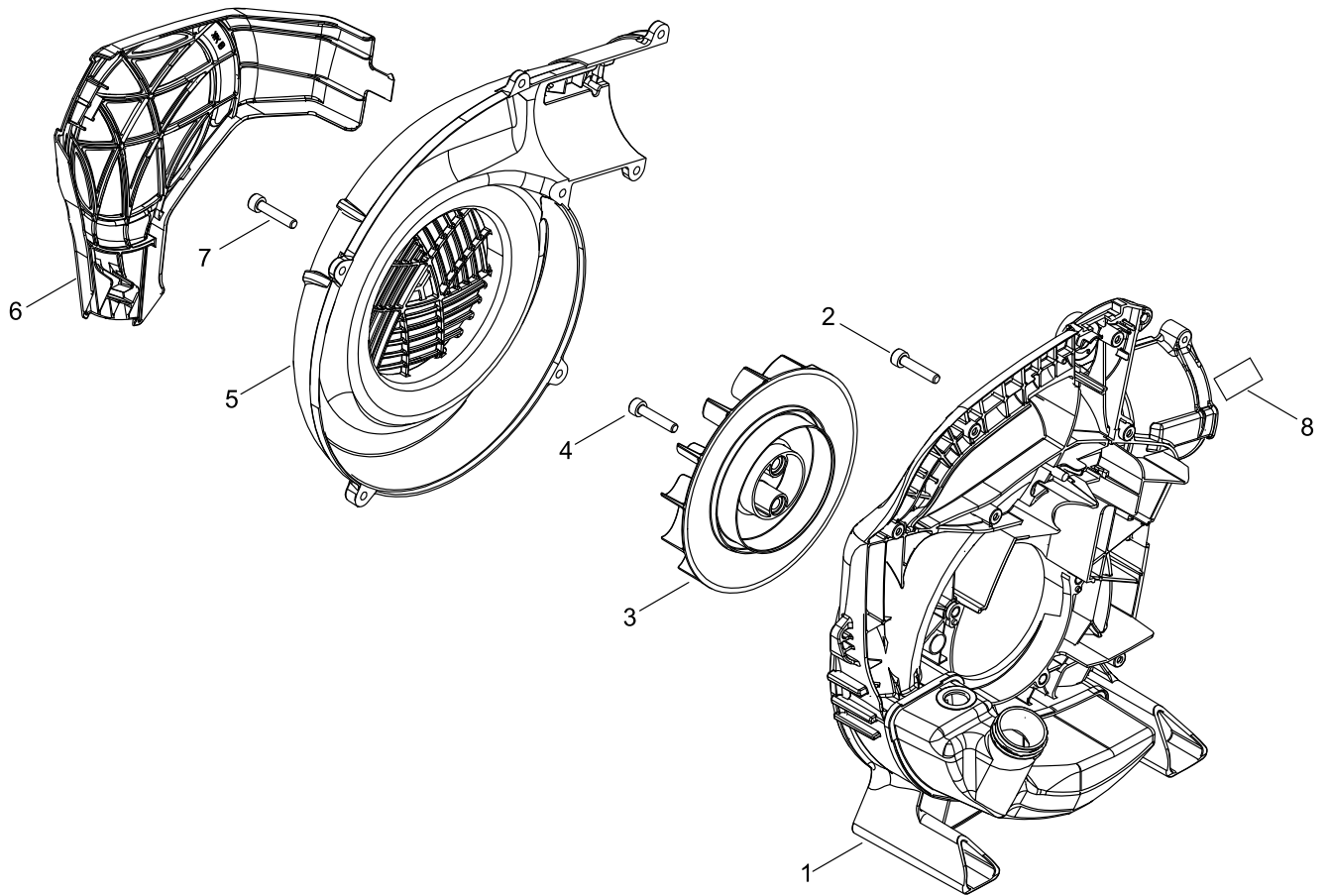
RECOIL STARTER, PULLY



RECOIL STARTER, PULLY

| KEY NO | LV(+) | Part No | Description | Qty | Standard | Comment |
|--------|-------|--------------|--------------------|-----|--------------|---------|
| 1 | | A051-003310 | STARTER,RECOIL ASY | 1 | | |
| 2 | + | P022-048990 | STATER CASE | 1 | | |
| 3 | ++ | P022-045770 | GUIDE, ROPE | 1 | | |
| 4 | + | P022-049000 | REEL | 1 | | |
| 5 | + | P022-019680 | SPRING, SPIRAL | 1 | | |
| 6 | + | 177236-44330 | SCREW | 1 | | |
| 7 | + | P022-049010 | ROPE,STARTER | 1 | | |
| 8 | + | P022-036700 | GRIP, STARTER | 1 | | |
| 9 | | 177202-40630 | PAWL ASSY, STARTER | 1 | | |
| 10 | + | A514-000120 | RACHET | 1 | | |
| 11 | + | 177234-40630 | SPRING, RETURN | 1 | | |
| 12 | + | P022-002100 | E-RING | 1 | 4 | |
| 13 | | V805-000150 | BOLT, TORX 5 | 3 | TB-5*16 10.9 | |
| 14 | | X547-003230 | LABEL,ECHO | 1 | ECHO+PB-2520 | |
| 15 | | A127-000510 | COVER,DUST | 1 | | |

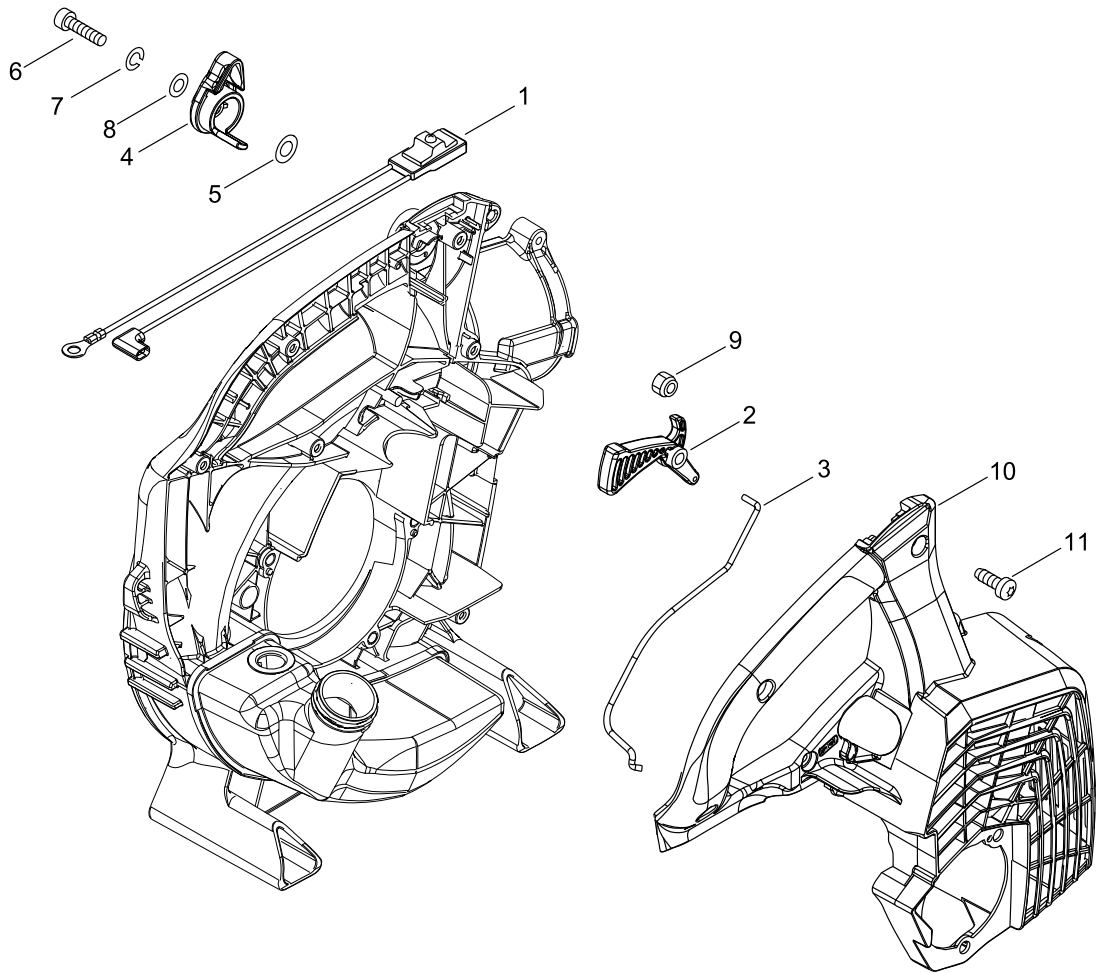
FAN CASE



FAN CASE

| KEY NO | LV(+) | Part No | Description | Qty | Standard | Comment |
|--------|-------|-------------|---------------|-----|--------------------|---------|
| 1 | | E103-001461 | CASE,FAN | 1 | E-SIDE W/TANK | |
| 2 | | V805-000150 | BOLT, TORX 5 | 4 | TB-5*16 10.9 | |
| 3 | | E100-000290 | FAN,BLOWER | 1 | | |
| 4 | | V806-000010 | BOLT, TORX 6 | 2 | TB-6*20 10.9 | |
| 5 | | E103-001470 | CASE,FAN | 1 | | |
| 6 | | E104-000270 | GRID, BLOWER | 1 | | |
| 7 | | V805-000010 | BOLT, TORX 5 | 7 | TT-5*20 DG 10.9 | |
| 8 | | X505-009970 | LABEL,CAUTION | 1 | ISO SYMBOL PB | |

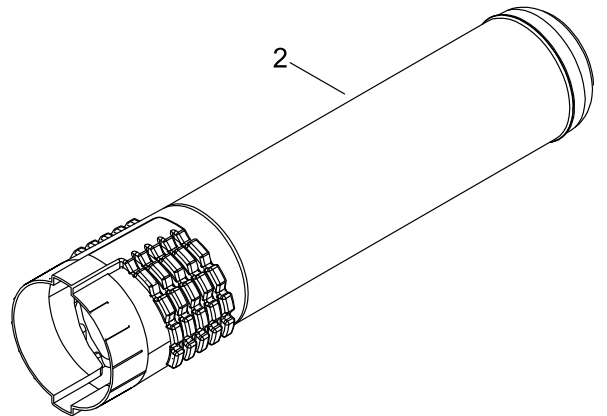
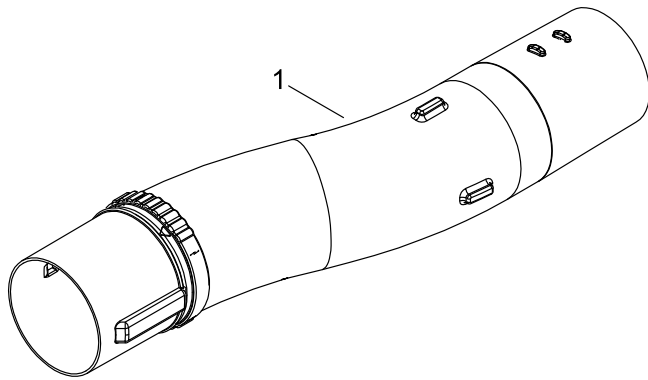
THROTTLE



THROTTLE

| KEY NO | LV(+) | Part No | Description | Qty | Standard | Comment |
|--------|-------|--------------|-------------------|-----|--------------------|---------|
| 1 | | P100-003830 | SWITCH,ON OFF | 1 | | |
| 2 | | C450-000721 | CONTROL, THROTTLE | 1 | | |
| 3 | | C454-000580 | ROD, THROTTLE | 1 | | |
| 4 | | C453-000300 | LEVER,THROTTLE | 1 | | |
| 5 | | 900603-00005 | WASHER 5 | 1 | 5.5*12*0.8 | |
| 6 | | V805-000220 | BOLT, TORX 5 | 1 | TB-5*25 12.9 | |
| 7 | | 900605-00005 | WASHER, SPRING 5 | 1 | 5 | |
| 8 | | 900602-00005 | WASHER 5 | 1 | 5.3*10*1 | |
| 9 | | 900562-50005 | LOCKNUT 5 | 1 | 5 | |
| 10 | | A190-001621 | COVER,ENGINE | 1 | | |
| 11 | | V805-000010 | BOLT, TORX 5 | 6 | TT-5*20 DG 10.9 | |

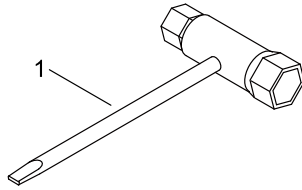
PIPE



PIPE

| KEY NO | LV(+) | Part No | Description | Qty | Standard | Comment |
|--------|-------|-------------|-------------|-----|---------------------|---------|
| 1 | | E165-000951 | PIPE,BLOWER | 1 | S-SHAPE W/ GUARD | |
| 2 | | E165-000880 | PIPE,BLOWER | 1 | | |

ACCESSORIES



ACCESSORIES

| KEY NO | LV(+) | Part No | Description | Qty | Standard | Comment |
|--------|-------|--------------|--------------------|-----|------------|---------|
| 1 | | 895410-06961 | WRENCH, W/S-DRIVER | 1 | 13X19 L135 | |

NUMERICAL PARTS INDEX

| Part No | Part description | Page | Part No | Part description | Page | Part No | Part description | Page |
|--------------|-----------------------|------|-------------|-----------------------|------|-------------|-------------------|------|
| 100013-35430 | PIN, PISTON | 2 | A425-000000 | SPARKPLUG | 6 | V102-000300 | GASKET,CRANKCASE | 4 |
| 100015-03931 | CIRCLIP, PISTON PIN | 2 | A426-000010 | TERMINAL,SPARKPLUG | 6 | V103-001950 | GASKET,INTAKE | 8 |
| 100142-12330 | KEY, WOODRUFF | 6 | A427-000013 | CAP,SPARK PLUG | 6 | V103-001960 | GASKET,INTAKE | 8 |
| 100212-42031 | OILSEAL | 4 | A514-000120 | RACHET | 16 | V104-002350 | GASKET,EXHAUST | 14 |
| 100212-61830 | OILSEAL | 4 | C450-000721 | CONTROL, THROTTLE | 20 | V186-000520 | JOINT,PIPE | 12 |
| 125323-08260 | ARM, VALVE | 10 | C453-000300 | LEVER,THROTTLE | 20 | V306-000520 | WASHER,CIRCULAR 8 | 2 |
| 125338-13930 | PIN, METERING ARM | 10 | C454-000580 | ROD, THROTTLE | 20 | V323-000070 | WASHER,CIRCULAR 5 | 6 |
| 125339-42030 | SCREW | 10 | E100-000290 | FAN,BLOWER | 18 | V471-003730 | PIPE | 12 |
| 125342-52130 | COVER, DIAPHRAGM | 10 | E103-001461 | CASE,FAN | 18 | V471-005240 | PIPE | 12 |
| 125344-13931 | SCREW | 10 | E103-001470 | CASE,FAN | 18 | V471-005250 | PIPE | 12 |
| 125344-52130 | SCREW | 10 | E104-000270 | GRID, BLOWER | 18 | V490-001240 | CLIP | 12 |
| 131016-55830 | GASKET, FUEL CAP | 12 | E165-000880 | PIPE,BLOWER | 22 | V554-000030 | BEARING,NEEDLE 9 | 2 |
| 131051-56030 | CLIP, FUEL CAP | 12 | E165-000951 | PIPE,BLOWER | 22 | V804-000030 | BOLT, TORX 4 | 14 |
| 132010-49730 | PIPE 3*6*85 | 12 | P005-000010 | STRAINER | 10 | V805-000010 | BOLT, TORX 5 | 18 |
| 132115-46730 | GROMMET, FUEL | 12 | P005-000100 | SCREW, THROTTLEADJUST | 10 | V805-000010 | BOLT, TORX 5 | 20 |
| 177202-40630 | PAWL ASSY, STARTER | 16 | P005-000200 | GASKET, METERING | 10 | V805-000100 | BOLT, TORX 5 | 8 |
| 177234-40630 | SPRING, RETURN | 16 | P005-000250 | RETAINER | 10 | V805-000150 | BOLT, TORX 5 | 16 |
| 177236-44330 | SCREW | 16 | P005-000270 | SCREW | 10 | V805-000150 | BOLT, TORX 5 | 18 |
| 895410-06961 | WRENCH, W/S-DRIVER | 24 | P005-000510 | DIAPHRAGM, PUMP | 10 | V805-000210 | BOLT, TORX 5 | 2 |
| 900515-00008 | NUT, FLANGE 8 | 6 | P005-000520 | GASKET, PUMP | 10 | V805-000210 | BOLT, TORX 5 | 6 |
| 900562-50005 | LOCKNUT 5 | 20 | P005-000940 | SPRING, METER. LEVER | 10 | V805-000210 | BOLT, TORX 5 | 8 |
| 900602-00005 | WASHER 5 | 20 | P005-001000 | ROLLER, GUIDE | 10 | V805-000210 | BOLT, TORX 5 | 14 |
| 900603-00005 | WASHER 5 | 20 | P005-001250 | RETAINER,PLUG BALL | 10 | V805-000220 | BOLT, TORX 5 | 4 |
| 900605-00005 | WASHER, SPRING 5 | 20 | P005-001900 | SCREW | 10 | V805-000220 | BOLT, TORX 5 | 20 |
| 900800-36001 | BEARING, BALL 6001 | 4 | P005-003110 | PUMP, PRIMER | 10 | V806-000010 | BOLT, TORX 6 | 18 |
| 900810-36000 | BEARING, BALL | 4 | P005-003760 | DIAPHRAGM ,METERING | 10 | X505-009970 | LABEL,CAUTION | 18 |
| A011-001510 | CRANKSHAFT,ASY | 2 | P005-004020 | BASE, ASY PRIMER | 10 | X547-003230 | LABEL,ECHO | 16 |
| A021-004700 | CARBURETOR, DIAPHRAGM | 8 | P005-004030 | VALVE, INLET NEEDLE | 10 | | | |
| A021-004700 | CARBURETOR, DIAPHRAGM | 10 | P005-004040 | COVER ASY, ROTOR | 10 | | | |
| A051-003310 | STARTER,RECOIL ASY | 16 | P005-004050 | SCREW,MAIN MIXTURE | 10 | | | |
| A101-000720 | RING, PISTON | 2 | P022-002100 | E-RING | 16 | | | |
| A127-000510 | COVER,DUST | 16 | P022-019680 | SPRING, SPIRAL | 16 | | | |
| A130-002340 | CYLINDER | 2 | P022-036700 | GRIP, STARTER | 16 | | | |
| A190-001621 | COVER,ENGINE | 20 | P022-045770 | GUIDE, ROPE | 16 | | | |
| A200-001130 | INSULATOR, INTAKE | 8 | P022-048990 | STATER CASE | 16 | | | |
| A226-002160 | ELEMENT, AIR FILTER | 8 | P022-049000 | REEL | 16 | | | |
| A232-001920 | LID,CLEANER | 8 | P022-049010 | ROPE,STARTER | 16 | | | |
| A244-000330 | PLATE, PREVENT | 8 | P100-001880 | CAP ASY,TANK | 12 | | | |
| A259-000010 | CAP,LIMITER | 8 | P100-003800 | PISTON KIT | 2 | | | |
| A310-000510 | SCREEN, ARRESTOR | 14 | P100-003810 | CRANK CASE SET | 4 | | | |
| A356-000031 | VALVE,CHECK | 12 | P100-003820 | CASE,CLEANER | 8 | | | |
| A369-000470 | STRAINER, FUEL | 12 | P100-003830 | SWITCH,ON OFF | 20 | | | |
| A409-001320 | ROTOR, MAGNETO | 6 | P100-003840 | MUFFLER ASY | 14 | | | |
| A411-001750 | COIL, IGNITION | 6 | V100-000860 | GASKET,CYL | 2 | | | |