



PARTS CATALOG

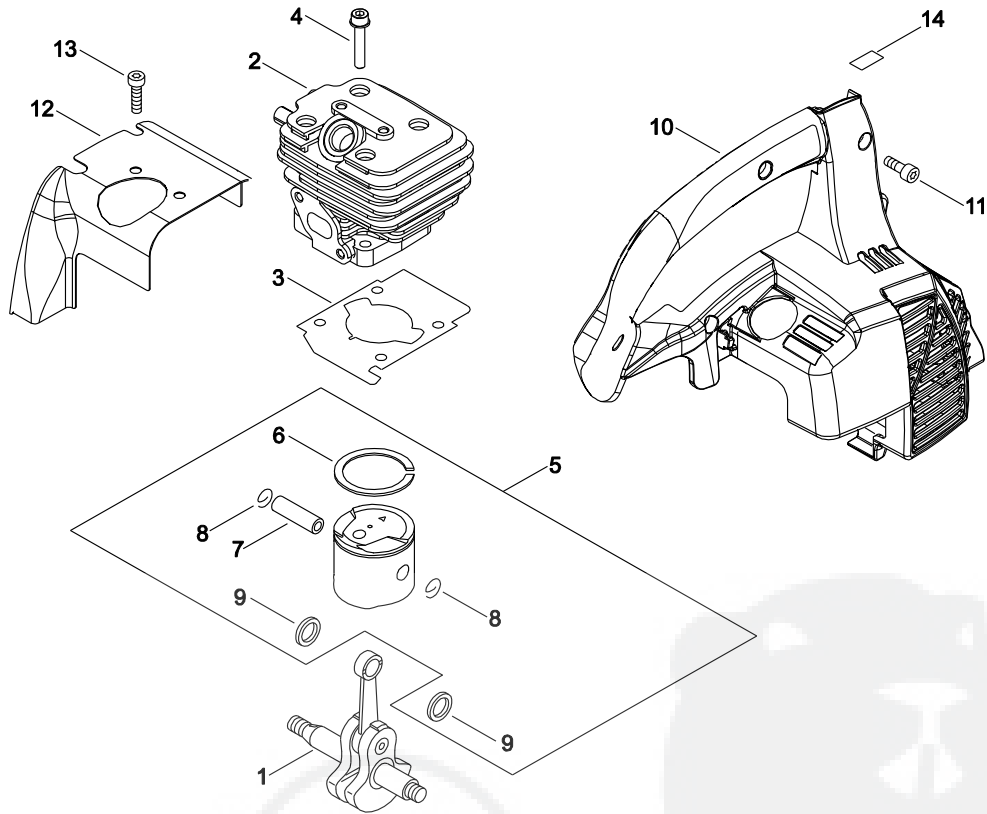
SHRED 'N' VAC ES-250ES(37)

P32837047616 -

CE

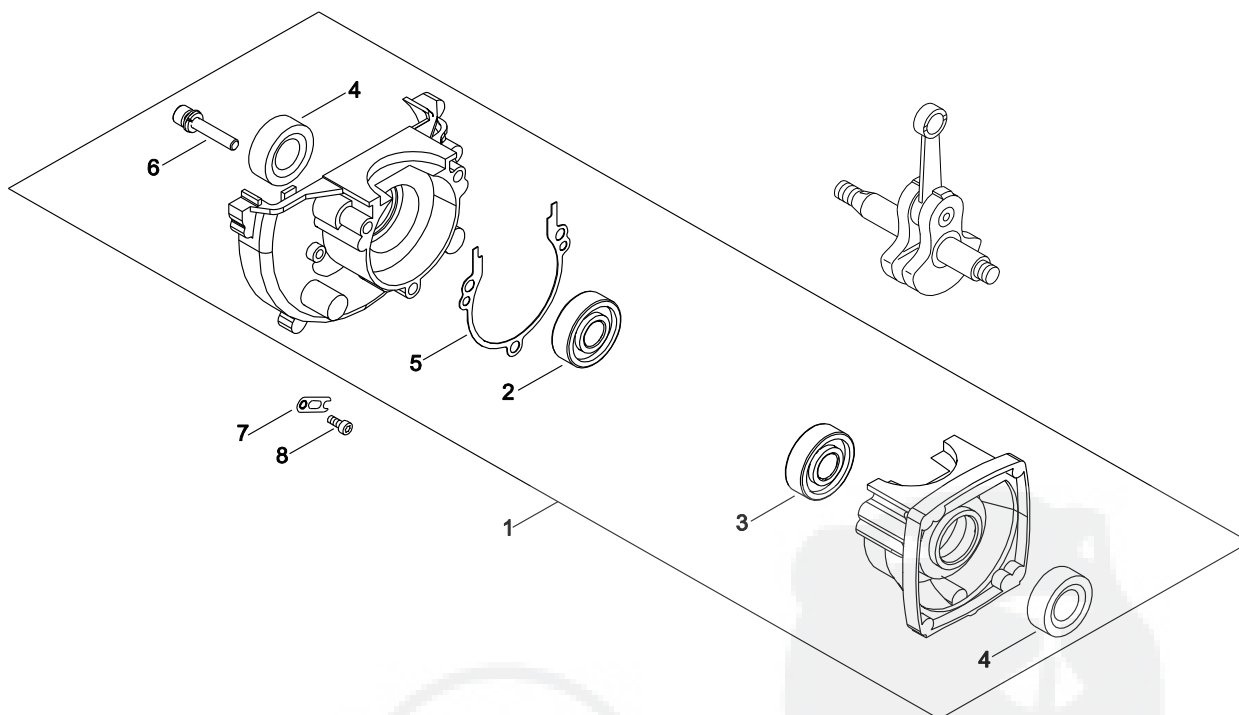
P014-001761-15B

1. CYLINDER, PISTON, CRANKSHAFT



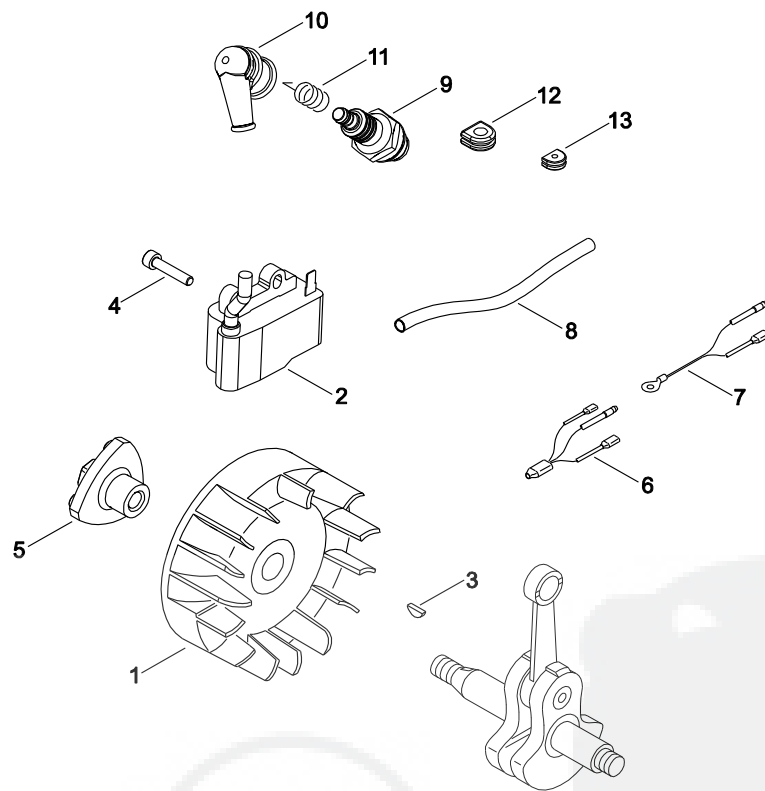
KEY	LV	PART NUMBER	Q'TY	DESCRIPTION	REMARKS	NOTE1	NOTE2
1		A011-000590	1	CRANKSHAFT,ASY			
2		A130-001020	1	CYLINDER			
3		V100-000190	1	GASKET,CYL			
4		900162-05025	4	BOLT, H.S. 5*25	5*25 W,SW		
5		P021-017410	1	PISTON KIT			
6	+	A101-000140	1	RING, PISTON	B1.2 T1.5		
7	+	V606-000000	1	PIN,ENG 8	5*8*28		
8	+	100015-04630	2	CIRCLIP, PISTON PIN			
9	+	100014-11520	2	SPACER, PISTON PIN			
10		P021-049230	1	ENGINE COVER ASY			
11		V805-000010	6	BOLT, TORX 5	TT-5*20 DG 10.9		
12		A160-001260	1	COVER,CYLINDER			
13		V805-000120	2	BOLT, TORX 5	TB-5*8 10.9		
14		X505-002310	1	LABEL,CAUTION	HOT CAUTION		

2. CRANKCASE



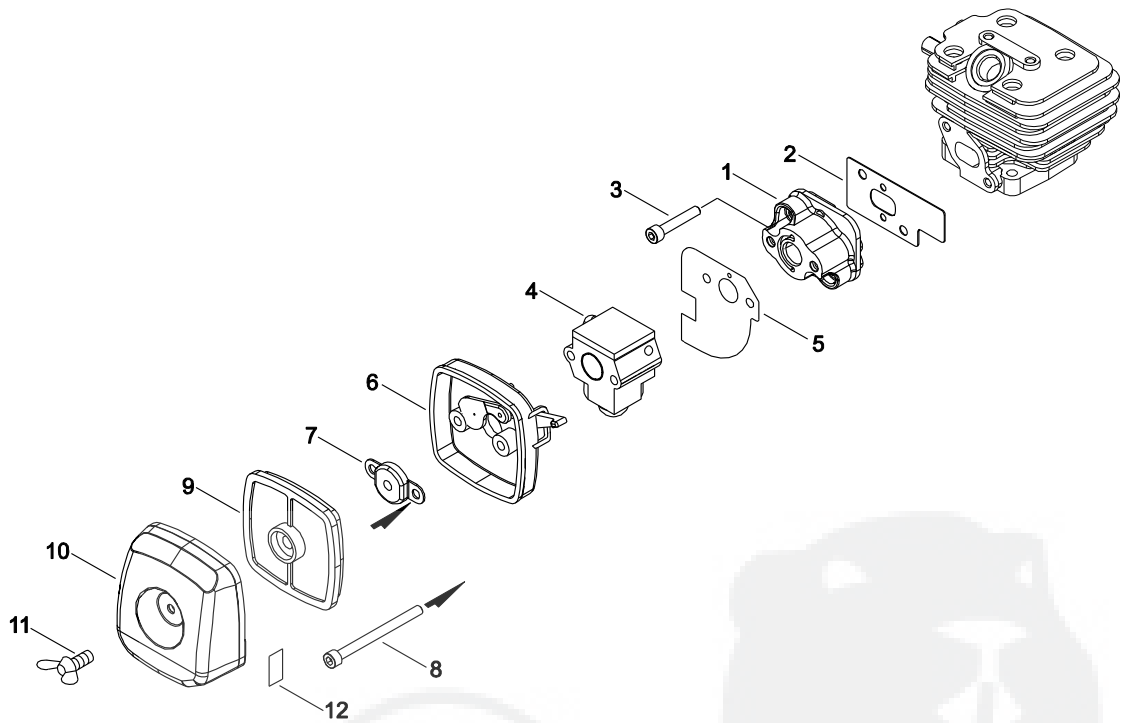
KEY	LV	PART NUMBER	Q'TY	DESCRIPTION	REMARKS	NOTE1	NOTE2
1		P021-008231	1	CRANKCASE KIT			
2	+	94035-36201	1	BEARING BALL	6201X3JR2C3		
3	+	94035-36201	1	BEARING BALL	6201X3JR2C3		
4	+	100212-42031	2	OILSEAL	ISCD 12*22*4.5		
5	+	100242-42030	1	GASKET, CRANKCASE			
6	+	900162-05028	3	BOLT, H.S. 5*28	5*28 W,SW		
7		V150-002400	1	PLATE,EYE			
8		V805-000120	1	BOLT, TORX 5	TB-5*8 10.9		

3. MAGNETO



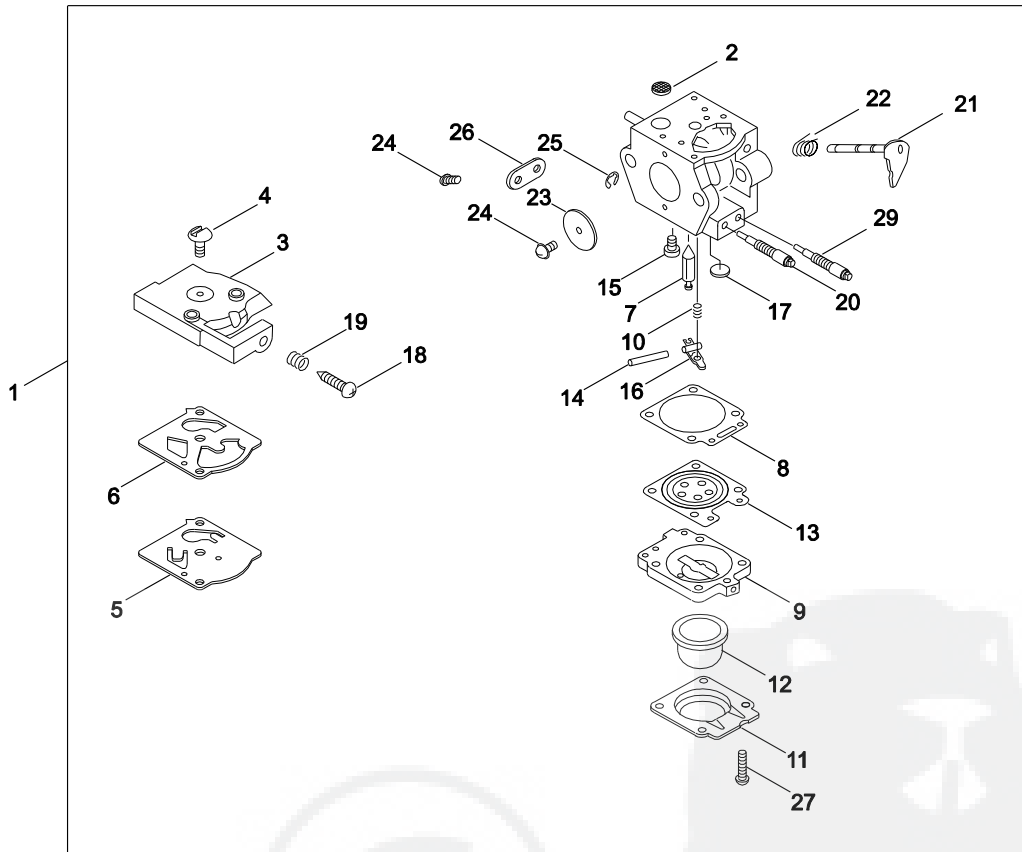
KEY	LV	PART NUMBER	Q'TY	DESCRIPTION	REMARKS	NOTE1	NOTE2
1		A409-001250	1	ROTOR, MAGNETO	ID:R10024(C1330)		
2		A411-000500	1	COIL, IGNITION			
3		100142-12330	1	KEY, WOODRUFF			
4		V804-000070	2	BOLT, TORX 4	TB-4*20 12.9		
5		E101-000122	1	HUB, FAN			
6		V485-002210	1	LEAD			
7		V485-002220	1	LEAD			
8		V475-006820	1	TUBE	L120		
9		A425-000000	1	SPARKPLUG	BPMR8Y		
10		159012-03433	1	CAP, SPARK PLUG			
11		159011-03432	1	COIL, SPARK PLUG			
12		156110-04920	1	BUSHING			
13		152115-05530	1	BUSHING			

4. AIR CLEANER, CARBURETOR



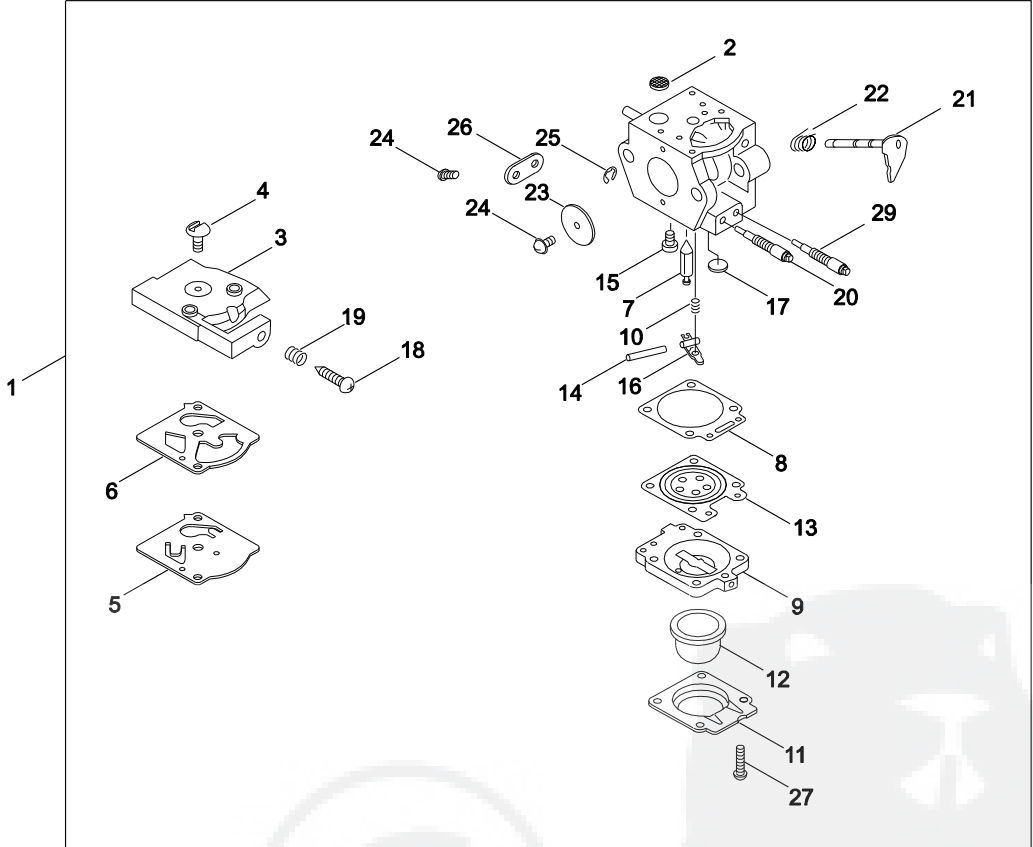
KEY	LV	PART NUMBER	Q'TY	DESCRIPTION	REMARKS	NOTE1	NOTE2
1		A200-000370	1	INSULATOR, INTAKE			
2		V103-000540	1	GASKET,INTAKE			
3		V805-000220	2	BOLT, TORX 5	TB-5*25 12.9		
4		A021-001882	1	CARBURETOR,DIAPHRAGM	WTA-33		
5		V103-000550	1	GASKET,INTAKE			
6		P021-004480	1	CASE, AIR CLEANER			
7		129011-52730	1	PLATE, PREVENT			
8		V805-000100	2	BOLT, TORX 5	TB-5*65 10.9		
9		A226-001410	1	ELEMENT,AIR FILTER			
10		130313-05863	1	LID, AIR CLEANER			
11		210417-52730	1	BOLT, WING	5*20		
12		890332-52730	1	LABEL, CHOKE			

5. CARBURETOR



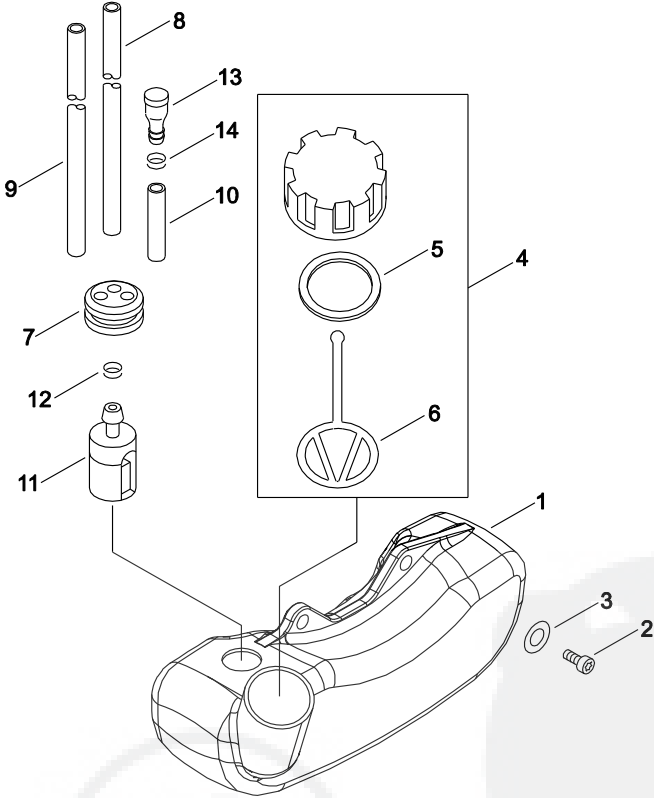
KEY	LV	PART NUMBER	Q'TY	DESCRIPTION	REMARKS	NOTE1	NOTE2
1		A021-001882	1	CARBURETOR,DIAPHRAGM	WTA-33		
2	+	123126-10631	1	SCREEN, INLET			
3	+	P003-004880	1	COVER, FUEL PUMP			
4	+	123110-03930	1	SCREW, PUMP COVER			
5	+	123112-15030	1	DIAPHRAGM, FUEL PUMP			
6	+	123125-15030	1	GASKET, FUEL PUMP			
7	+	123137-19830	1	VALVE, INLET NEEDLE			
8	+	P003-003840	1	GASKET, M. DIAPHRAGM			
9	+	P003-003850	1	BODY, AIR PURGE			
10	+	P003-003860	1	SPRING			
11	+	123142-05560	1	COVER, PRIMER PUMP			
12	+	123181-40630	1	PUMP, PRIMER			
13	+	P003-001850	1	DIAPHRAGM, METERING			
14	+	123138-03930	1	PIN, METERING LEVER			
15	+	123139-03930	1	SCREW, M. LEVER PIN			
16	+	123123-03930	1	LEVER, METERING			
17	+	123146-10631	1	PLUG, WELCH			
18	+	P003-001400	1	SCREW, IDLE ADJUST			
19	+	123133-04260	1	SPRING, IDLE ADJUST			
20	+	P003-004010	1	NEEDLE			
21	+	P003-003880	1	SHAFT ASY, THROTTLE			
22	+	P003-003890	1	SPRING			
23	+	P003-003900	1	VALVE, THROTTLE			
24	+	123114-38830	2	SCREW			
25	+	123127-15030	1	RING			

5. CARBURETOR



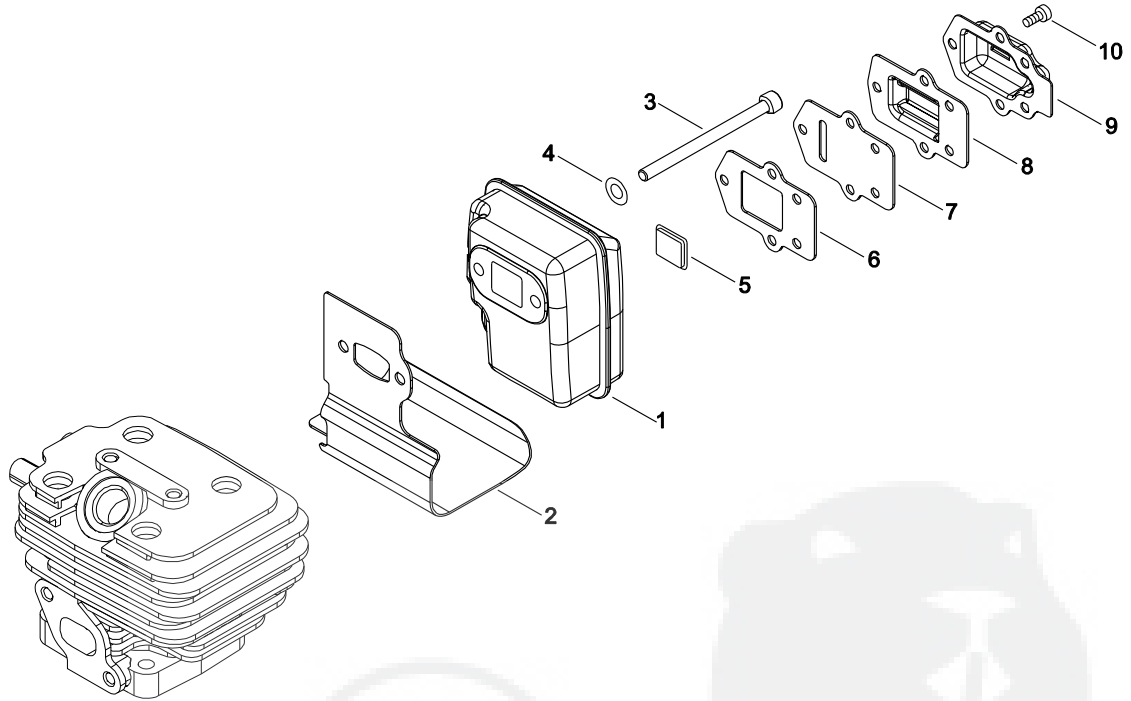
KEY	LV	PART NUMBER	Q'TY	DESCRIPTION	REMARKS	NOTE1	NOTE2
26	+	P003-003910	1	THROTTLE, LEVER			
27	+	123144-02960	4	SCREW			
29	+	P003-004020	1	NEEDLE			

6. FUEL TANK



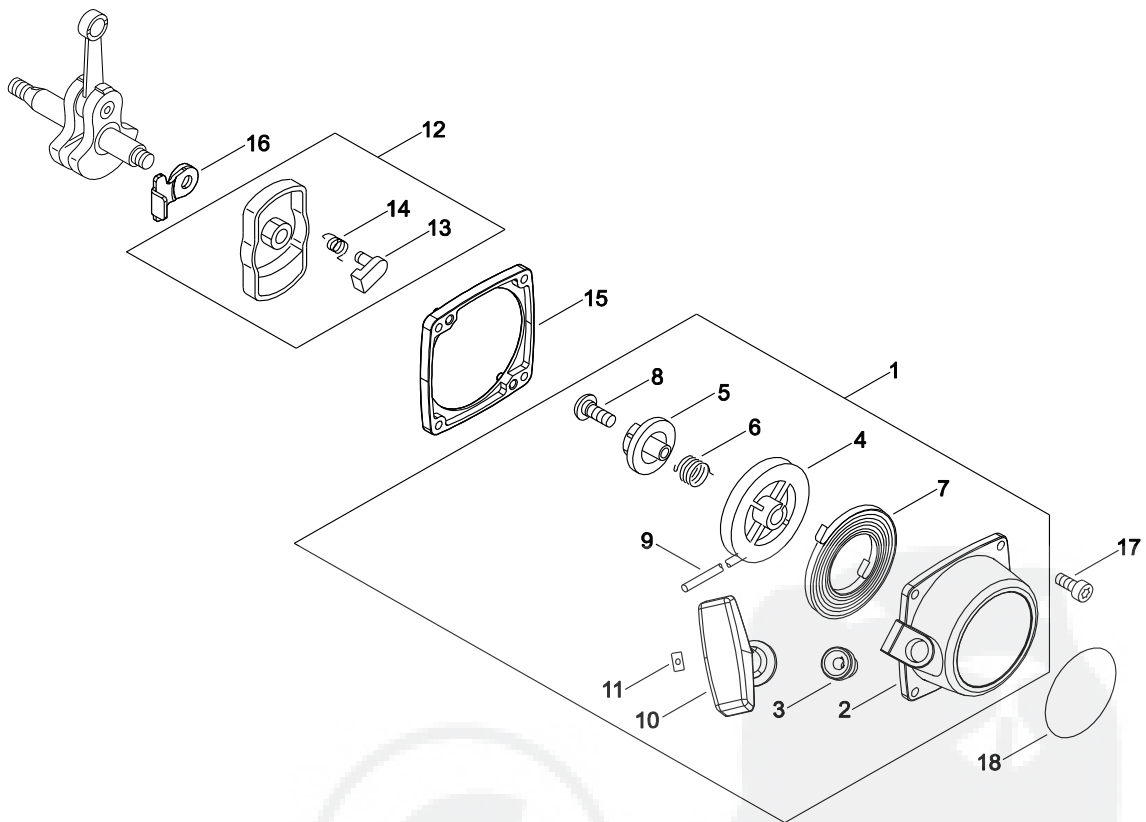
KEY	LV	PART NUMBER	Q'TY	DESCRIPTION	REMARKS	NOTE1	NOTE2
1		131005-20561	1	TANK, FUEL			
2		V805-000150	2	BOLT, TORX 5	TB-5*16 10.9		
3		900603-00005	2	WASHER 5	5.5*12*0.8		
4		131004-55530	1	CAP ASSY, FUEL TANK			
5	+	131016-55830	1	GASKET, FUEL CAP			
6	+	131051-56030	1	CLIP, FUEL CAP	100L		
7		132115-46730	1	GROMMET, FUEL			
8		V471-002170	1	PIPE	3*5*230		
9		132010-49730	1	PIPE 3*6*85	3*6*85 YL		
10		132012-04631	1	PIPE	3*5*80 NBR		
11		131205-07321	1	STRAINER, FUEL			
12		V490-001240	1	CLIP			
13		A356-000031	1	VALVE,CHECK			
14		V490-001240	1	CLIP			

7. MUFFLER



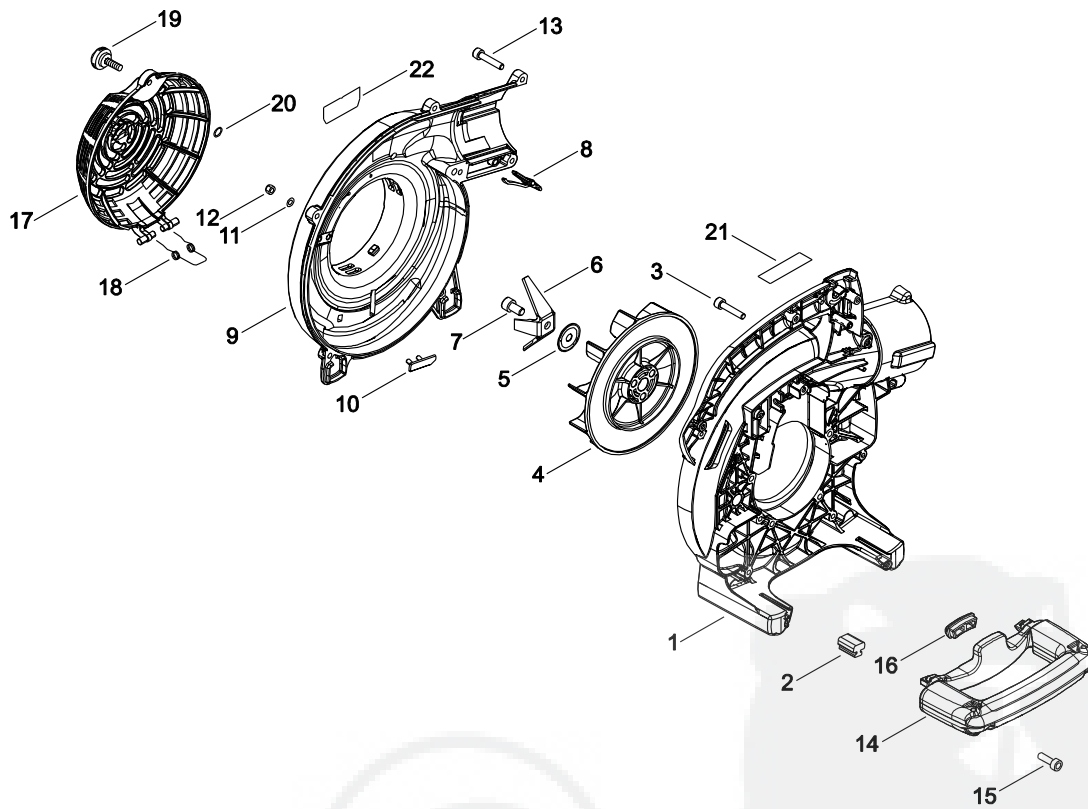
KEY	LV	PART NUMBER	Q'TY	DESCRIPTION	REMARKS	NOTE1	NOTE2
1		A300-001630	1	MUFFLER, EXHAUST			
2		V104-000960	1	GASKET, EXHAUST			
3		V203-000190	2	BOLT, 5	AN A2-70		
4		900603-00005	2	WASHER 5	5.5*12*0.8		
5		A310-000070	1	SCREEN, ARRESTOR	22*28*3		
6		V104-000941	1	GASKET, EXHAUST			
7		A313-001070	1	GUIDE, EXHAUST			
8		A313-000840	1	GUIDE, EXHAUST	20.5*3		
9		A313-001790	1	GUIDE, EXHAUST			
10		V804-000030	5	BOLT, TORX 4	TB-4*8 10.9		

8. RECOIL STARTER, PULLEY



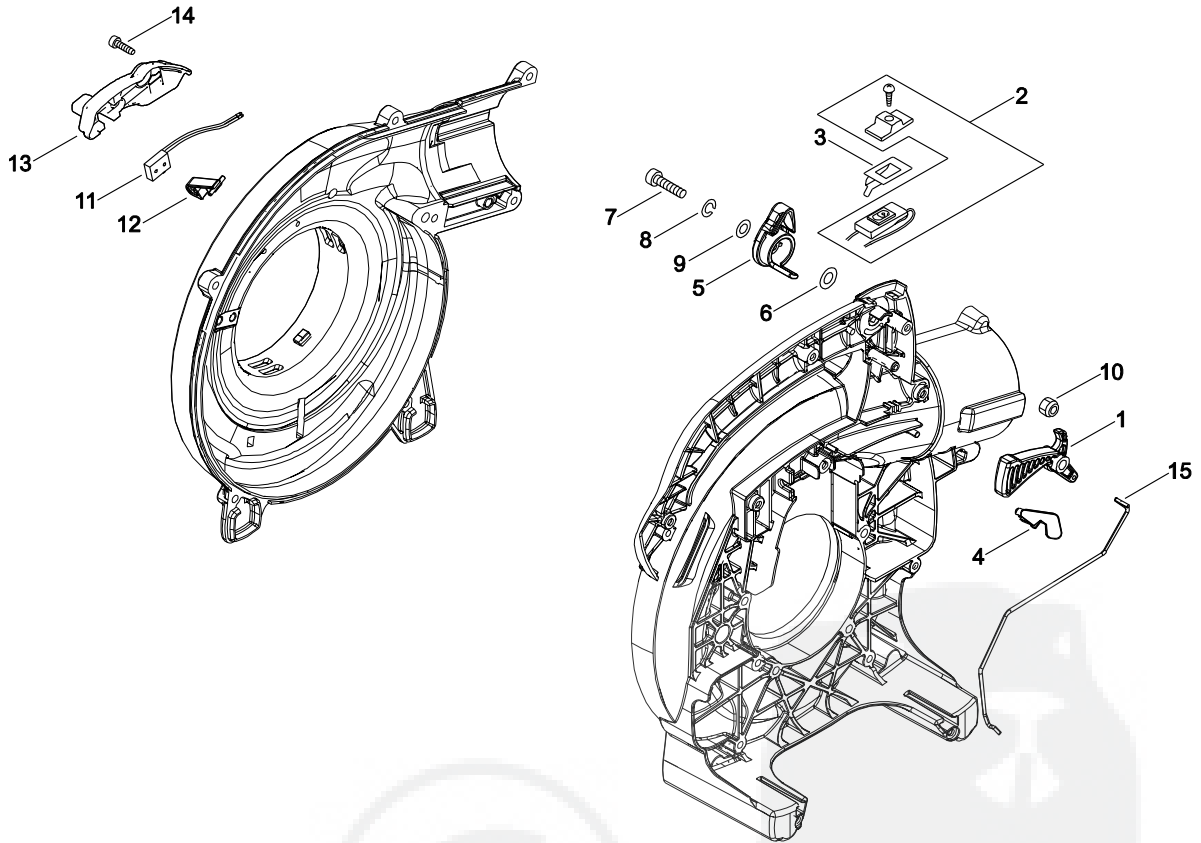
KEY	LV	PART NUMBER	Q'TY	DESCRIPTION	REMARKS	NOTE1	NOTE2
1		A051-000741	1	STARTER,RECOIL			
2	+	P022-037720	1	STATER CASE			
3	+	177227-42030	1	GUIDE, ROPE			
4	+	P022-027980	1	DRUM, STARTER			
5	+	P022-028000	1	PLATE, CAM			
6	+	P022-008270	1	SPRING,DAMPER			
7	+	177220-42030	1	SPRING, REWIND			
8	+	177236-61830	1	SCREW			
9	+	P022-008260	1	ROPE	3M/M		
10	+	177228-27030	1	GRIP, STARTER			
11	+	P022-037670	1	STOPPER, ROPE			
12		A052-000440	1	PULLEY,ASM STARTER			
13	+	P022-020030	2	PAWL, STARTER			
14	+	P022-006510	2	SPRING, RETURN			
15		V376-001750	1	SPACER			
16		A115-000000	1	WEIGHT,BALANCE			
17		V804-000060	4	BOLT, TORX 4	TB-4*16 10.9		
18		X502-000330	1	LABEL,ECHO	ECHO		

9. FAN CASE



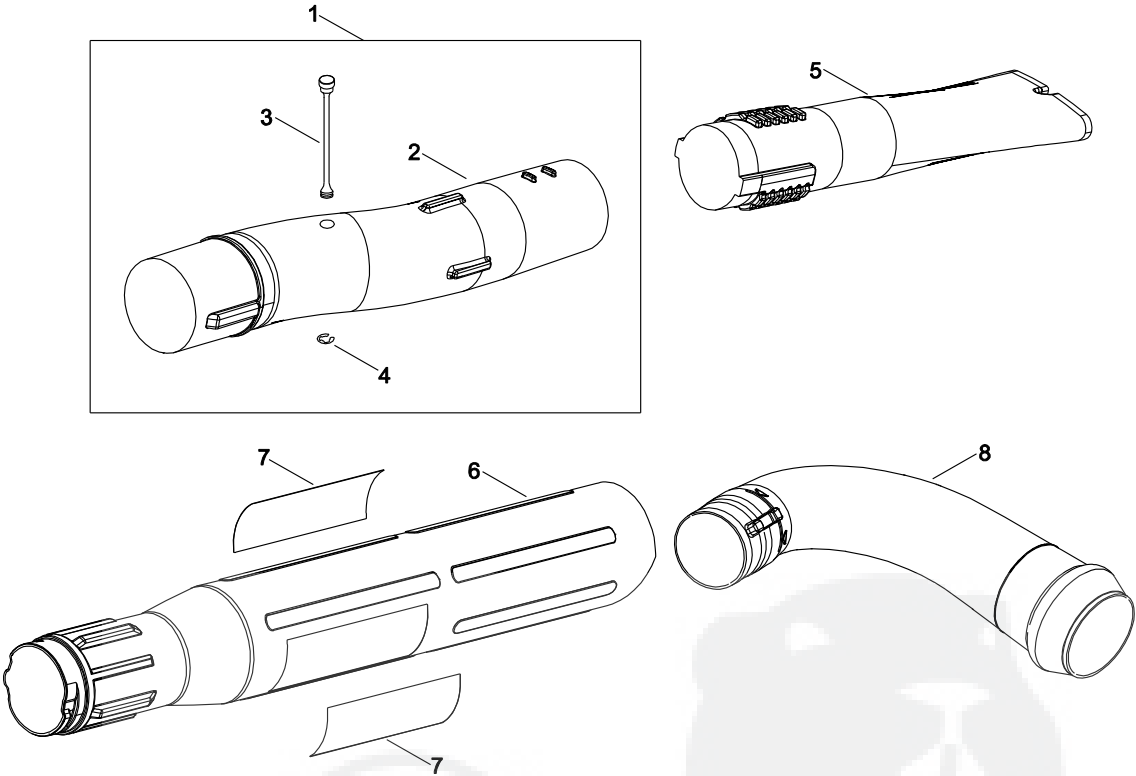
KEY	LV	PART NUMBER	Q'TY	DESCRIPTION	REMARKS	NOTE1	NOTE2
1		E103-000691	1	CASE,FAN			
2		351335-20560	2	CUSHION			
3		V804-000070	4	BOLT, TORX 4	TB-4*20 12.9		
4		E100-000220	1	FAN,BLOWER			
5		100143-19830	1	WASHER	8.2*31*0.8		
6		X413-000010	1	CUTTER,SHREDDER			
7		900105-08015	1	BOLT, H.S. 8*15	8*15		
8		C662-000050	1	PIECE,LEVER	PB-250		
9		E103-000980	1	CASE,FAN			
10		X413-000020	1	CUTTER,SHREDDER			
11		900603-00005	2	WASHER 5	5.5*12*0.8		
12		900562-50005	2	LOCKNUT 5	5		
13		V805-000010	7	BOLT, TORX 5	TT-5*20 DG 10.9		
14		C041-000640	1	HANDLE,ASM REAR			
15		V805-000230	2	BOLT, TORX 5	TT-5*25 DG 10.9		
16		V420-001440	1	CUSHION			
17		E104-000090	1	GRID, BLOWER			
18		V452-000370	1	SPRING,TORSION			
19		V299-000290	1	KNOB,FASTENER	1 KNOB M5X0.8		
20		900720-00003	1	O-RING P-3	P-3		
21		X505-002080	1	LABEL,CAUTION			
22		X547-001830	1	LABEL,ECHO			

10. THROTTLE



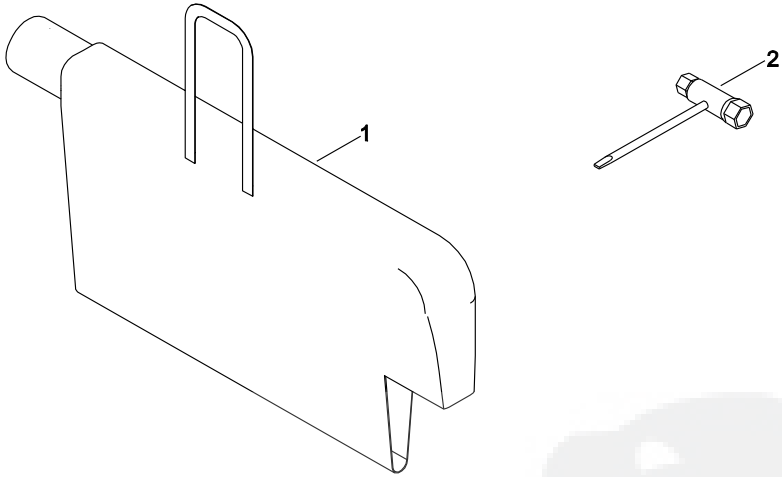
KEY	LV	PART NUMBER	Q'TY	DESCRIPTION	REMARKS	NOTE1	NOTE2
1		C450-000411	1	CONTROL, THROTTLE			
2		P021-045250	1	SWITCH, ON OFF			
3		V486-000150	1	TERMINAL LEAD			
4		V162-000640	1	PLUG			
5		C453-000300	1	LEVER, THROTTLE			
6		900603-00005	1	WASHER 5	5.5*12*0.8		
7		V805-000220	1	BOLT, TORX 5	TB-5*25 12.9		
8		900605-00005	1	WASHER, SPRING 5	5		
9		900602-00005	1	WASHER 5	5.3*10*1		
10		900562-50005	1	LOCKNUT 5	5		
11		A045-000590	1	SWITCH, ON OFF			
12		A446-000000	1	LEVER, ACTUATOR			
13		A473-000050	1	LID, SWITCH CASE			
14		V804-000010	2	BOLT, TORX 4	TT-4*16 DG 10.9		
15		C454-000190	1	ROD, THROTTLE			

11. PIPE



KEY	LV	PART NUMBER	Q'TY	DESCRIPTION	REMARKS	NOTE1	NOTE2
1		E165-000381	1	PIPE,BLOWER			
2	+	E165-000391	1	PIPE,BLOWER			
3	+	E178-000050	1	GUARD,PIPE			
4	+	V583-000080	1	RING	CE-5		
5		E165-000191	1	PIPE,BLOWER			
6		E180-000011	1	PIPE,SUCTION			
7		X503-008950	2	LABEL,MODEL			
8		E160-000171	1	PIPE,MAIN			

12. ACCESSORIES



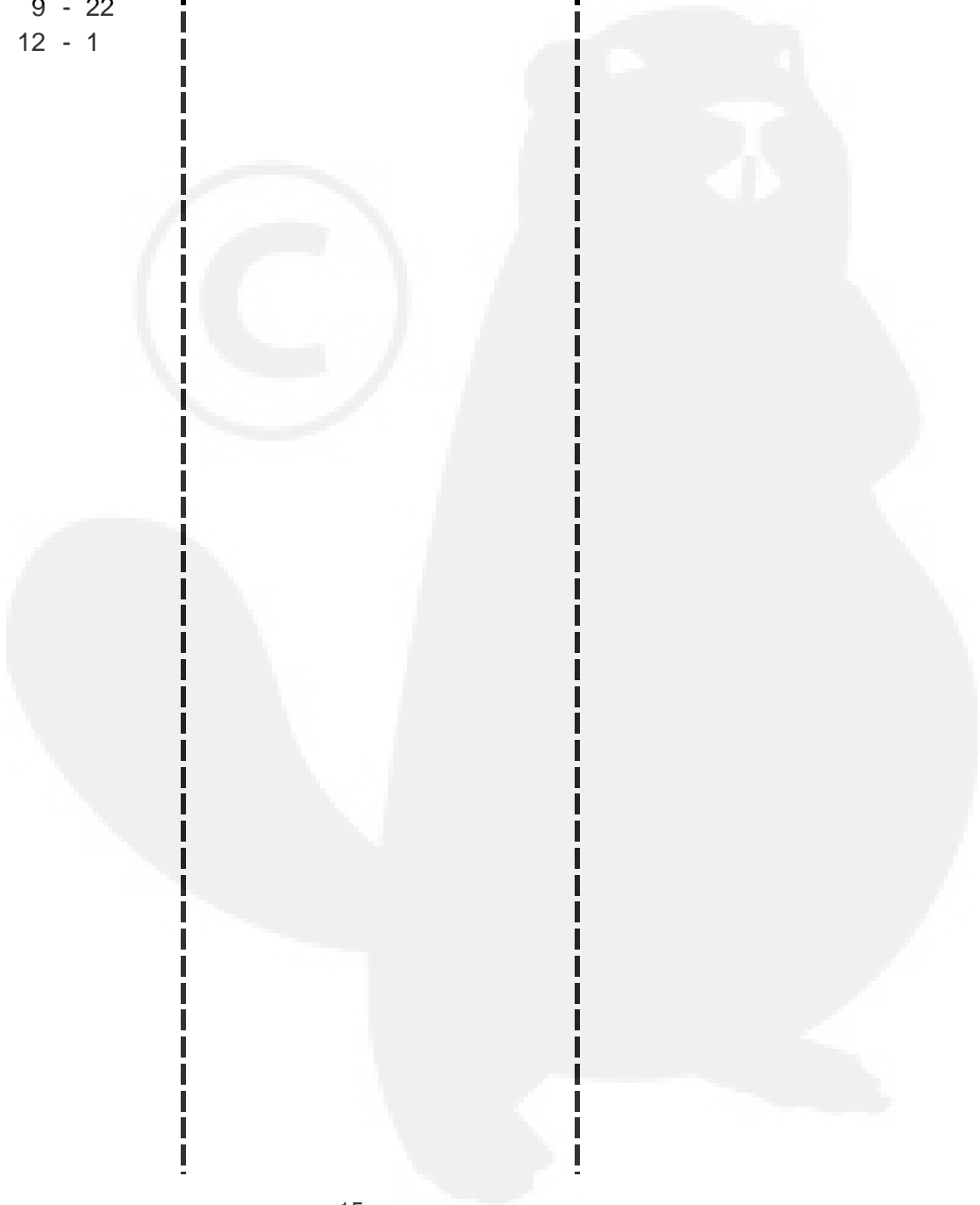
KEY	LV	PART NUMBER	Q'TY	DESCRIPTION	REMARKS	NOTE1	NOTE2
1		X692-000022	1	BAG,DUST	ECHO BAG - BLACK		
2		895410-06961	1	WRENCH, W/S-DRIVER	13X19 L135		

Index

Patrs Number	Key No.	Patrs Number	Key No.	Patrs Number	Key No.
100014-11520	1 - 9	900603-00005	6 - 3	P003-003840	5 - 8
100015-04630	1 - 8	900603-00005	7 - 4	P003-003850	5 - 9
100142-12330	3 - 3	900603-00005	9 - 11	P003-003860	5 - 10
100143-19830	9 - 5	900603-00005	10 - 6	P003-003880	5 - 21
100212-42031	2 - 4	900605-00005	10 - 8	P003-003890	5 - 22
100242-42030	2 - 5	900720-00003	9 - 20	P003-003900	5 - 23
123110-03930	5 - 4	94035-36201	2 - 2	P003-003910	5 - 26
123112-15030	5 - 5	94035-36201	2 - 3	P003-004010	5 - 20
123114-38830	5 - 24	A011-000590	1 - 1	P003-004020	5 - 29
123123-03930	5 - 16	A021-001882	4 - 4	P003-004880	5 - 3
123125-15030	5 - 6	A021-001882	5 - 1	P021-004480	4 - 6
123126-10631	5 - 2	A045-000590	10 - 11	P021-008231	2 - 1
123127-15030	5 - 25	A051-000741	8 - 1	P021-017410	1 - 5
123133-04260	5 - 19	A052-000440	8 - 12	P021-045250	10 - 2
123137-19830	5 - 7	A101-000140	1 - 6	P021-049230	1 - 10
123138-03930	5 - 14	A115-000000	8 - 16	P022-006510	8 - 14
123139-03930	5 - 15	A130-001020	1 - 2	P022-008260	8 - 9
123142-05560	5 - 11	A160-001260	1 - 12	P022-008270	8 - 6
123144-02960	5 - 27	A200-000370	4 - 1	P022-020030	8 - 13
123146-10631	5 - 17	A226-001410	4 - 9	P022-027980	8 - 4
123181-40630	5 - 12	A300-001630	7 - 1	P022-028000	8 - 5
129011-52730	4 - 7	A310-000070	7 - 5	P022-037670	8 - 11
130313-05863	4 - 10	A313-000840	7 - 8	P022-037720	8 - 2
131004-55530	6 - 4	A313-001070	7 - 7	V100-000190	1 - 3
131005-20561	6 - 1	A313-001790	7 - 9	V103-000540	4 - 2
131016-55830	6 - 5	A356-000031	6 - 13	V103-000550	4 - 5
131051-56030	6 - 6	A409-001250	3 - 1	V104-000941	7 - 6
131205-07321	6 - 11	A411-000500	3 - 2	V104-000960	7 - 2
132010-49730	6 - 9	A425-000000	3 - 9	V150-002400	2 - 7
132012-04631	6 - 10	A446-000000	10 - 12	V162-000640	10 - 4
132115-46730	6 - 7	A473-000050	10 - 13	V203-000190	7 - 3
152115-05530	3 - 13	C041-000640	9 - 14	V299-000290	9 - 19
156110-04920	3 - 12	C450-000411	10 - 1	V376-001750	8 - 15
159011-03432	3 - 11	C453-000300	10 - 5	V420-001440	9 - 16
159012-03433	3 - 10	C454-000190	10 - 15	V452-000370	9 - 18
177220-42030	8 - 7	C662-000050	9 - 8	V471-002170	6 - 8
177227-42030	8 - 3	E100-000220	9 - 4	V475-006820	3 - 8
177228-27030	8 - 10	E101-000122	3 - 5	V485-002210	3 - 6
177236-61830	8 - 8	E103-000691	9 - 1	V485-002220	3 - 7
210417-52730	4 - 11	E103-000980	9 - 9	V486-000150	10 - 3
351335-20560	9 - 2	E104-000090	9 - 17	V490-001240	6 - 12
890332-52730	4 - 12	E160-000171	11 - 8	V490-001240	6 - 14
895410-06961	12 - 2	E165-000191	11 - 5	V583-000080	11 - 4
900105-08015	9 - 7	E165-000381	11 - 1	V606-000000	1 - 7
900162-05025	1 - 4	E165-000391	11 - 2	V804-000010	10 - 14
900162-05028	2 - 6	E178-000050	11 - 3	V804-000030	7 - 10
900562-50005	9 - 12	E180-000011	11 - 6	V804-000060	8 - 17
900562-50005	10 - 10	P003-001400	5 - 18	V804-000070	3 - 4
900602-00005	10 - 9	P003-001850	5 - 13	V804-000070	9 - 3

Index

Patrs Number	Key No.	Patrs Number	Key No.	Patrs Number	Key No.
V805-000010	1 - 11				
V805-000010	9 - 13				
V805-000100	4 - 8				
V805-000120	1 - 13				
V805-000120	2 - 8				
V805-000150	6 - 2				
V805-000220	4 - 3				
V805-000220	10 - 7				
V805-000230	9 - 15				
X413-000010	9 - 6				
X413-000020	9 - 10				
X502-000330	8 - 18				
X503-008950	11 - 7				
X505-002080	9 - 21				
X505-002310	1 - 14				
X547-001830	9 - 22				
X692-000022	12 - 1				



YAMABIKO CORPORATION

7-2 SUEHIROCHO 1-CHOME, OHME, TOKYO 198-8760, JAPAN
PHONE: 81-428-32-6118. FAX: 81-428-32-6145.



ECHO®

-15B
No. 03-018