



PARTS CATALOG

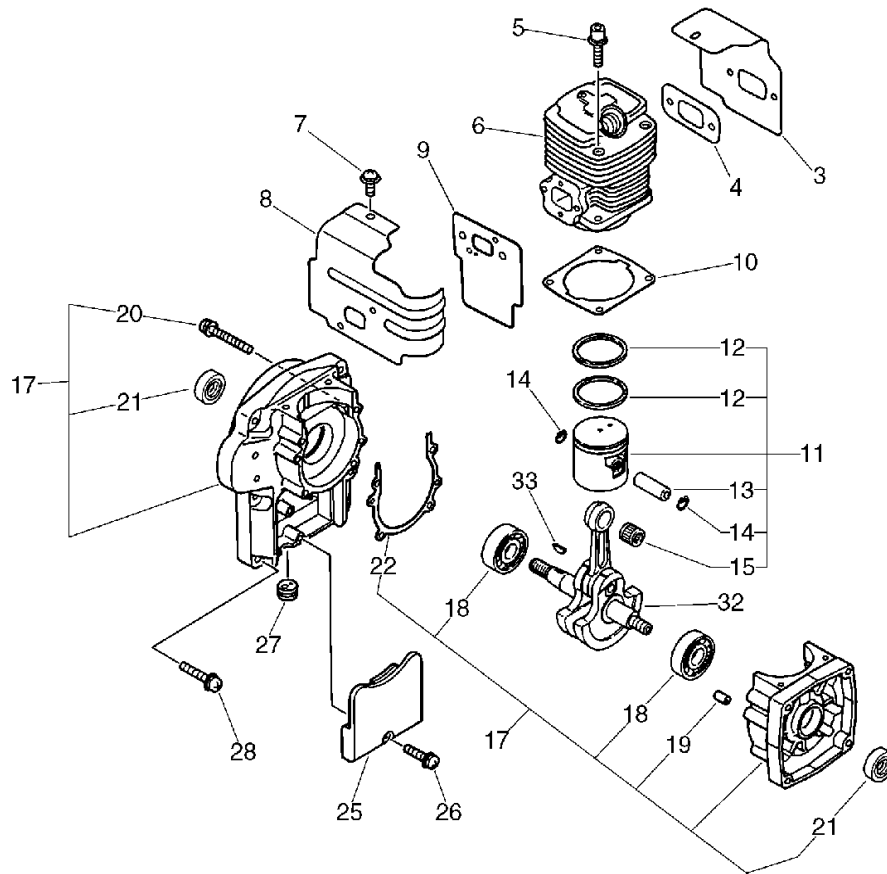
BACKPACK BLOWER

PB-46LN(36)

36004501 -

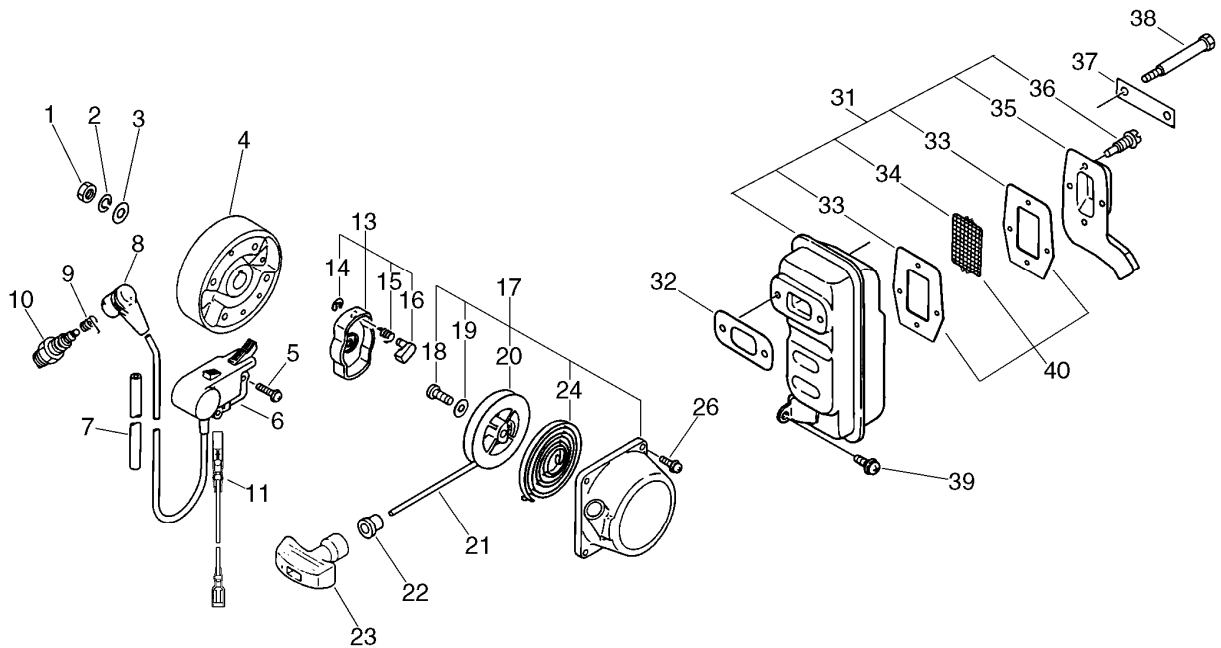
P014-000550-10Hb

1. CYLINDER, CRANKCASE, PISTON



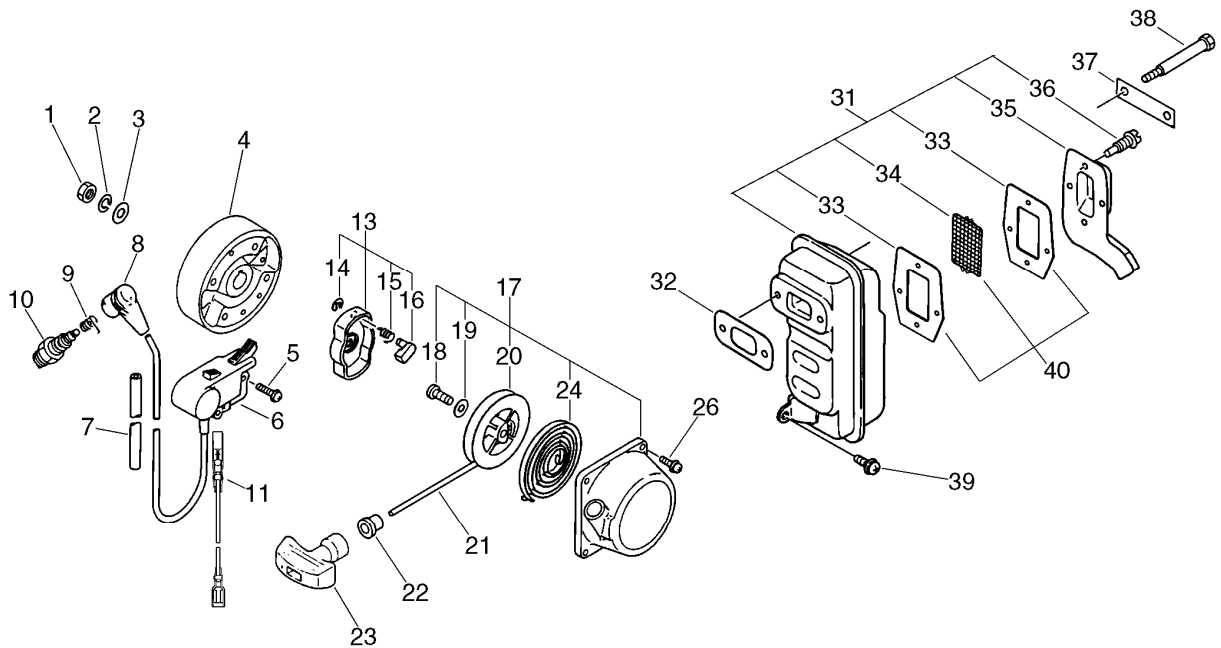
KEY	LV	PART NUMBER	Q'TY	DESCRIPTION	REMARKS	NOTE1	NOTE2
3		101514-21260	1	COVER, CYLINDER			
4		145510-06211	2	GASKET, MUFFLER			
5		900162-05022	4	BOLT, H.S. 5*22	5*22 W,SW		
6		A130-000210	1	CYLINDER			
7		900238-05010	1	SCREW 5*10	5*10		
8		101514-08260	1	COVER, CYLINDER			
9		130016-06211	1	GASKET, INTAKE			
10		101010-10722	1	GASKET, CYL. BASE			
11		P021-002540	1	PISTON KIT			
17		100204-08261	1	CRANKCASE KIT			
18	+	900810-36202	2	BEARING, BALL 6202	6202/C3		
19	+	100215-03930	2	PIN, DOWEL			
20	+	900162-05040	4	BOLT, H.S. 5*40	5*40 W,SW		
21	+	100213-00310	2	OILSEAL	ISCD 15 25 7		
22	+	100242-10721	1	GASKET, CRANKCASE			
25		159129-08261	1	COVER, DUST			
26		900238-05018	1	SCREW 5*18	5*18		
27		151112-04630	1	BUSHING			
28		900162-05032	6	BOLT, H.S. 5*32	5*32 W,SW		
32		100100-06210	1	CRANKSHAFT ASSY			
33		900323-03014	1	KEY WOODRUFF	3*14		

2. STARTER, MAGNETO, MUFFLER



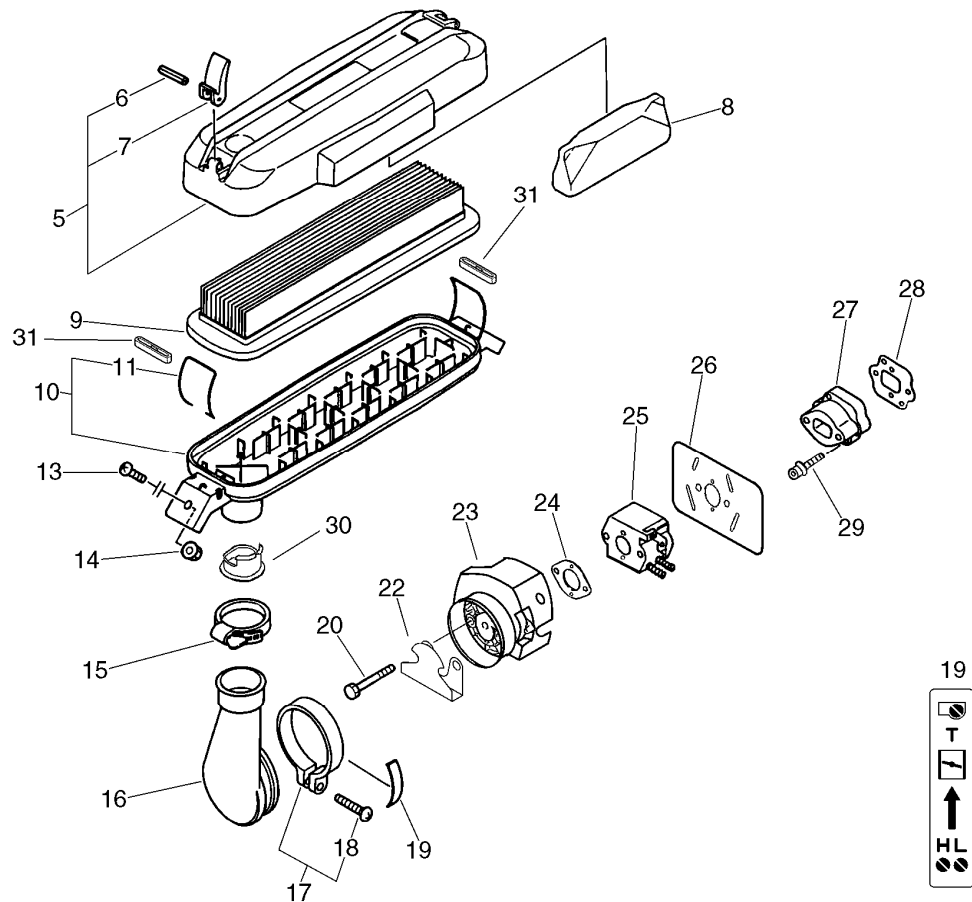
KEY	LV	PART NUMBER	Q'TY	DESCRIPTION	REMARKS	NOTE1	NOTE2
1		900501-00010	1	NUT 10*1.25	10*P1.25		
2		900605-00010	1	WASHER, SPRING 10	10		
3		900602-00010	1	WASHER 10(10.5*21*2)	10.5*21*2		
4		156800-06161	1	ROTOR, MAGNETO			
5		900238-05018	2	SCREW 5*18	5*18		
6		156601-08360	1	C.D. IGNITION MODULE			
11	+	V485-000190	1	LEAD			
7		156111-06160	1	TUBE 6.3*8*380	6.3*8*380		
8		159012-01620	1	CAP, SPARK PLUG			
9		159011-03432	1	COIL, SPARK PLUG			
10		159010-10230	1	PLUG, SPARK (BPMR-7A)	BPMR-7A		
13		177202-06210	1	PAWL ASSY, STARTER			
14	+	900700-00004	1	E-RING 4	CE-4		
15	+	177234-40630	1	SPRING, RETURN			
16	+	177218-40630	1	PAWL, STARTER	WHITE		
17		177200-21260	1	STARTER ASSY			
18	+	177236-40630	1	SCREW			
19	+	177214-40630	1	WASHER			
20	+	177215-11120	1	DRUM, STARTER			
21	+	177226-11120	1	ROPE, STARTER	3.8*1400		
22	+	177227-42030	1	GUIDE, ROPE			
23	+	177228-01110	1	GRIP, STARTER			
24	+	177220-11120	1	REWIND SPRING			
26		900163-04018	4	BOLT HSH			
31		145800-21261	1	MUFFLER ASSY			
33	+	145866-21360	2	GASKET, SCREEN HOLDER			

2. STARTER, MAGNETO, MUFFLER



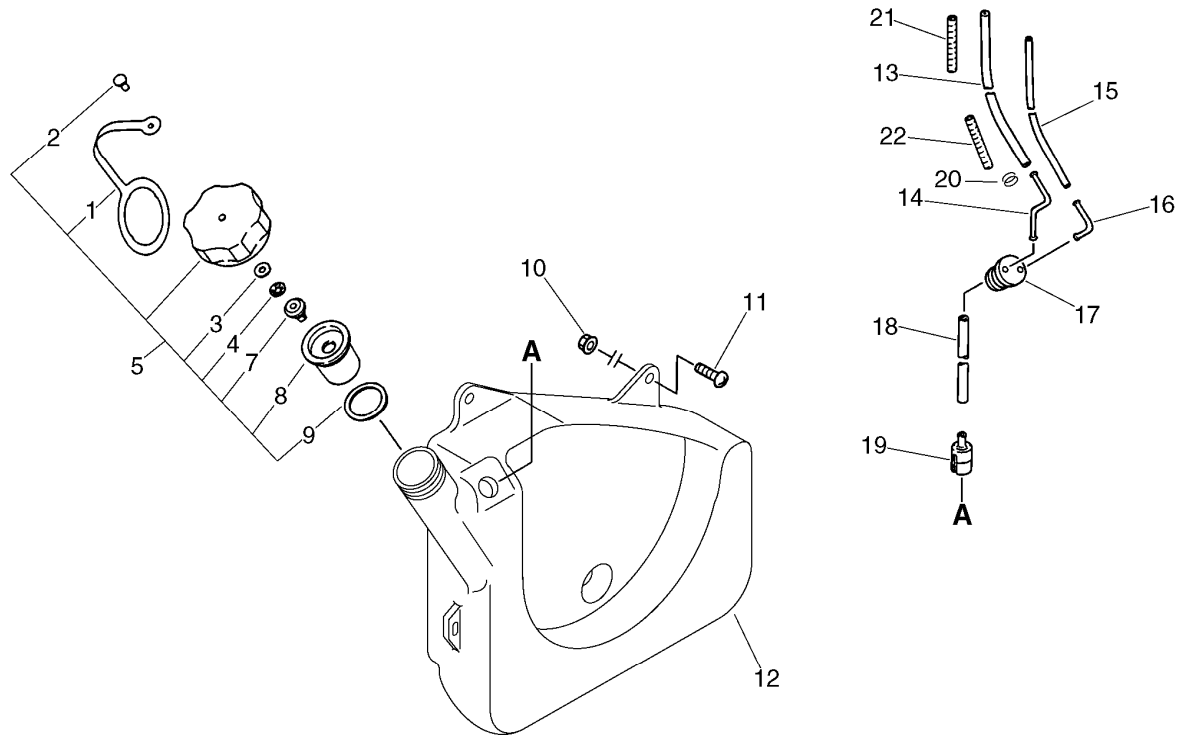
KEY	LV	PART NUMBER	Q'TY	DESCRIPTION	REMARKS	NOTE1	NOTE2
34	+	145862-21260	1	SCREEN			
35	+	145809-21261	1	LID, MUFFLER			
36	+	900080-00400	4	SCREW	4*0.7*10)		
37		145515-21061	1	PLATE, EYE			
38		145887-21060	2	BOLT 6			
39		900162-05020	1	BOLT, H.S. 5*20	5*20 W,SW		
40		P021-000300	1	SCREEN/GASKET KIT			

3. AIR CLEANER, CARBURETOR



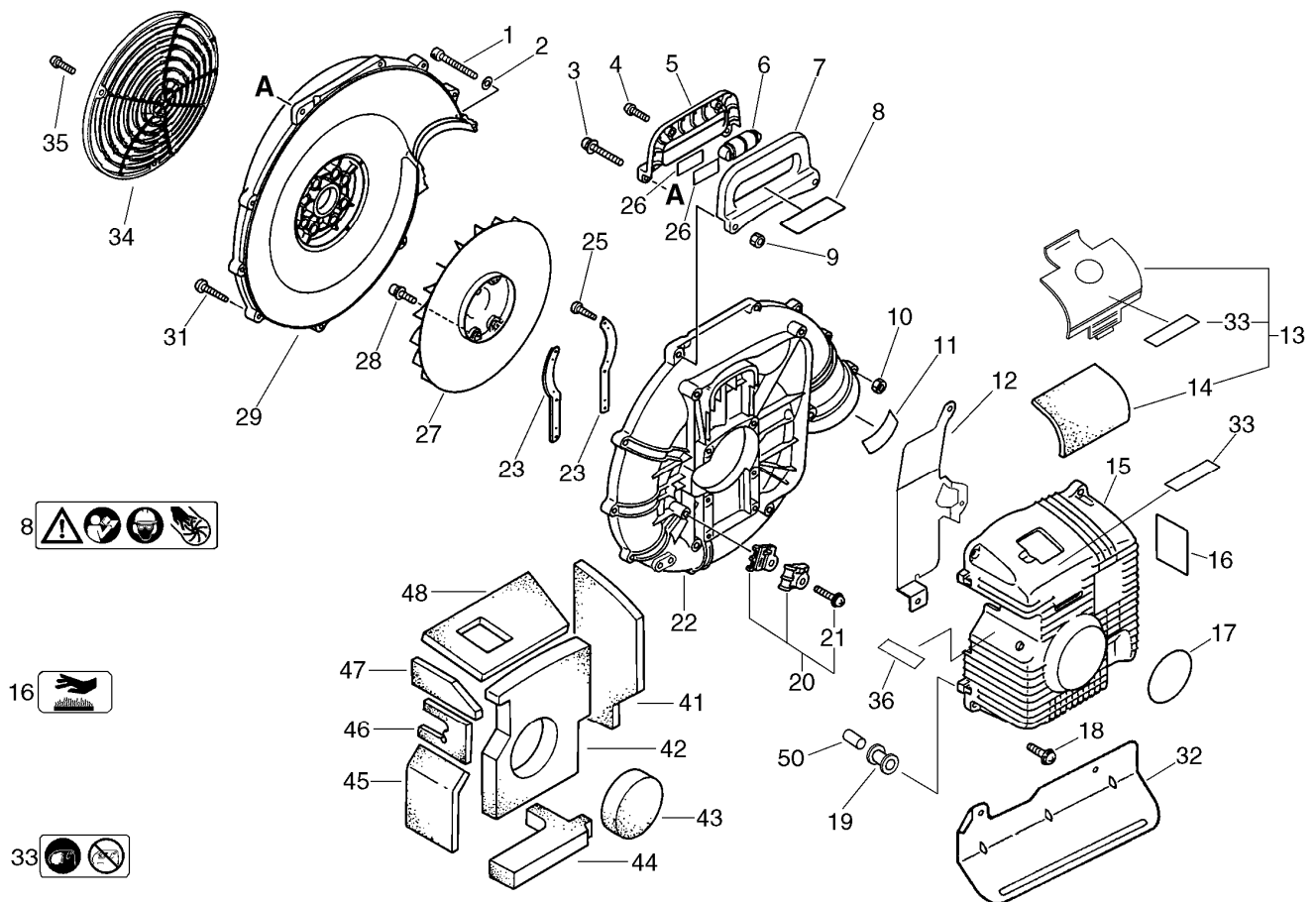
KEY	LV	PART NUMBER	Q'TY	DESCRIPTION	REMARKS	NOTE1	NOTE2
5		130308-08360	1	COVER, AIR CLEANER			
6	+	900345-30025	2	PIN, SPRING 3*25	3*25		
7	+	130341-08260	2	KNOB			
8		145637-21260	1	SILENSER			
9		130305-08361	1	FILTER, AIR			
10		130307-08360	1	CASE, AIR CLEANER			
11	+	131032-08360	2	CLIP			
31	+	V491-000220	2	CLIP	AIR FILTER CLIP		
13		91540-05014	2	SCREW, TRUSS			
14		900516-00005	2	NUT, FRANGE 5	5		
15		130715-08260	1	BAND			
16		130711-08260	1	ADAPTER, INTAKE			
17		P021-043140	1	CLAMP W/SCREW			
18	+	900238-05025	1	SCREW 5*25	5*25		
19		890158-08261	1	LABEL, CHOKE			
20		900242-05057	2	SCREW 5*57	5*57		
22		A244-000020	1	PLATE, PREVENT			
23		A221-000000	1	FIXTURE, CLEANER			
24		130016-03731	1	GASKET, CARBURETOR			
25		125200-08564	1	CARBURETOR	C1M-K37D		
26		130010-21262	1	GASKET, INTAKE			
27		130007-08261	1	INSULATOR			
28		V103-000000	1	GASKET, INTAKE			
29		900162-05025	2	BOLT, H.S. 5*25	5*25 W, SW		
30		178076-08360	1	COLLAR			

4. FUEL TANK



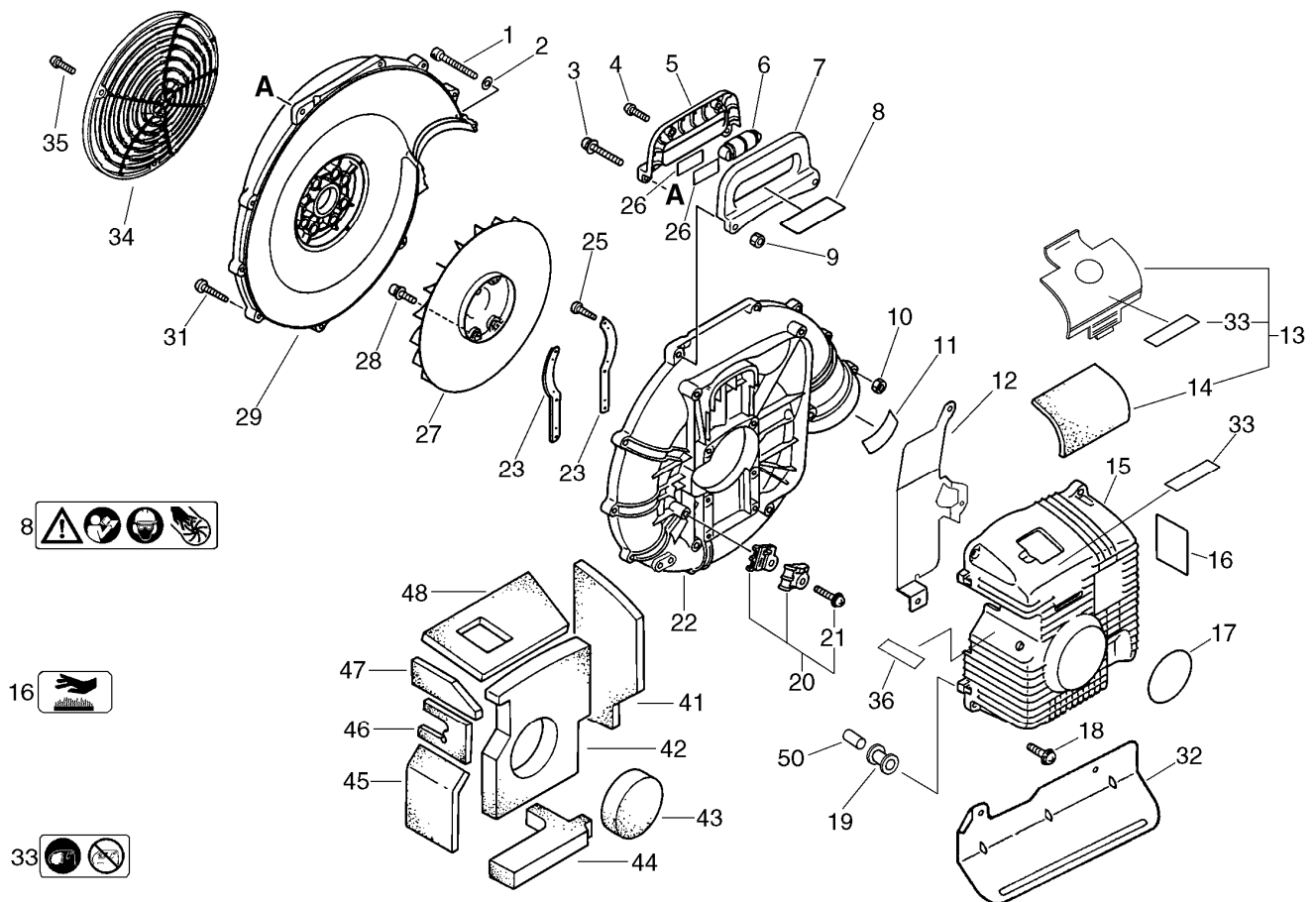
KEY	LV	PART NUMBER	Q'TY	DESCRIPTION	REMARKS	NOTE1	NOTE2
5		131600-09861	1	CAP ASY, FUEL			
1	+	131051-27230	1	LINK			
3	+	900600-00003	1	WASHER 3	3		
2	+	900319-30070	1	RIVET 3*7	3*7		
4	+	131053-03060	1	NUT			
7	+	131314-06320	1	VALVE, CHECK			
8	+	A358-000000	1	HOLDER,CHECK VALVE			
9	+	131016-21060	1	GASKET, FUEL CAP			
10		900516-00005	3	NUT, FRANGE 5	5		
11		900209-05020	3	SCREW, 5*20	5*20		
12		131010-08266	1	TANK, FUEL			
13		132010-08260	1	PIPE, FUEL	3*7*520 NBR		
14		132011-08260	1	CONNECTOR, FUEL PIPE			
15		132016-08260	1	PIPE, FUEL	2*4*480		
16		132021-08260	1	CONNECTOR, PIPE			
17		132115-02960	1	GROMMET			
18		V471-000770	1	PIPE			
19		131205-19831	1	STRAINER, FUEL			
20		132013-26630	2	CLIP	6.5MM		
21		132015-08260	1	COVER, PROTECTIVE			
22		178127-03460	1	TUBE			

5. FAN CASE



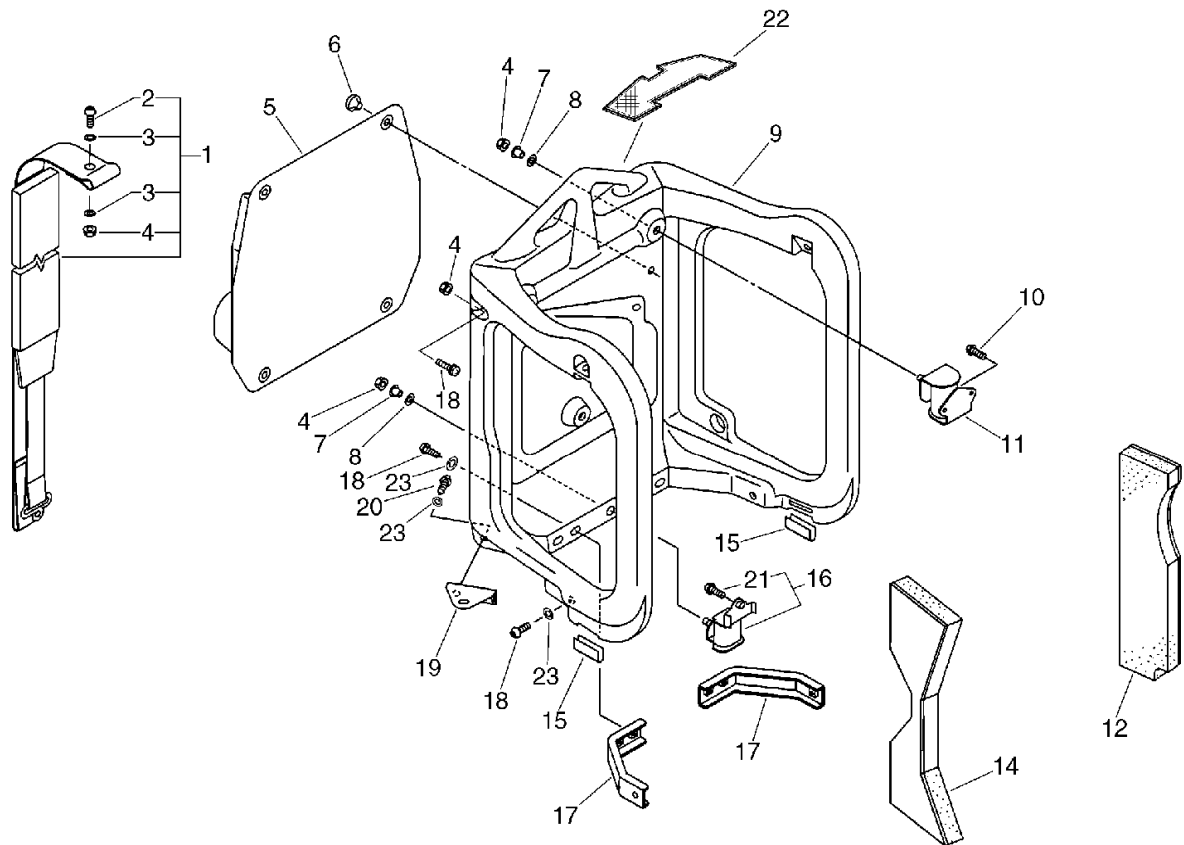
KEY	LV	PART NUMBER	Q'TY	DESCRIPTION	REMARKS	NOTE1	NOTE2
1		900105-05060	2	BOLT, H.S. 5*60	5*60		
2		900600-00005	2	WASHER 5	5		
3		900238-05045	2	SCREW 5*45	5*45		
4		900253-05016	3	SCREW	5*16		
5		351110-08260	1	HANDLE			
6		351337-08260	1	WEIGHT, HANDLE			
7		351010-08260	1	HANDLE			
8		890160-09461	1	LABEL, CAUTION			
9		900516-00005	2	NUT, FRANGE 5	5		
10		900516-00005	2	NUT, FRANGE 5	5		
11		890611-21262	1	LABEL, MODEL	PB-46LN EU		
12		A322-000060	1	INSULATOR, MUFFLER			
13		P021-016330	1	COVER KIT			
14	+	880826-21260	1	PAD, FOAM	120*124*438		
33	+	890617-21260	2	LABEL, CAUTION			
15		P021-013090	1	COVER, ENGINE			
16	+	X505-002310	1	LABEL, CAUTION	HOT CAUTION		
17	+	X502-000500	1	LABEL, ECHO	ECHO 81		
19	+	104910-09860	5	CUSHION			
41	+	104292-21160	1	PAD, FOAM	236*118*12.7		
42	+	104295-21160	1	PAD, FOAM	169*191*25.4		
43	+	104293-21160	1	PAD, FOAM			
44	+	104293-21260	1	PAD, FOAM	156*90*25.4		
45	+	104292-21260	1	PAD, FOAM	85*125*12.7		
46	+	104294-21160	1	PAD, FOAM	65*90*4.8		
47	+	104294-21260	1	PAD, FOAM	37*118*12.7		

5. FAN CASE



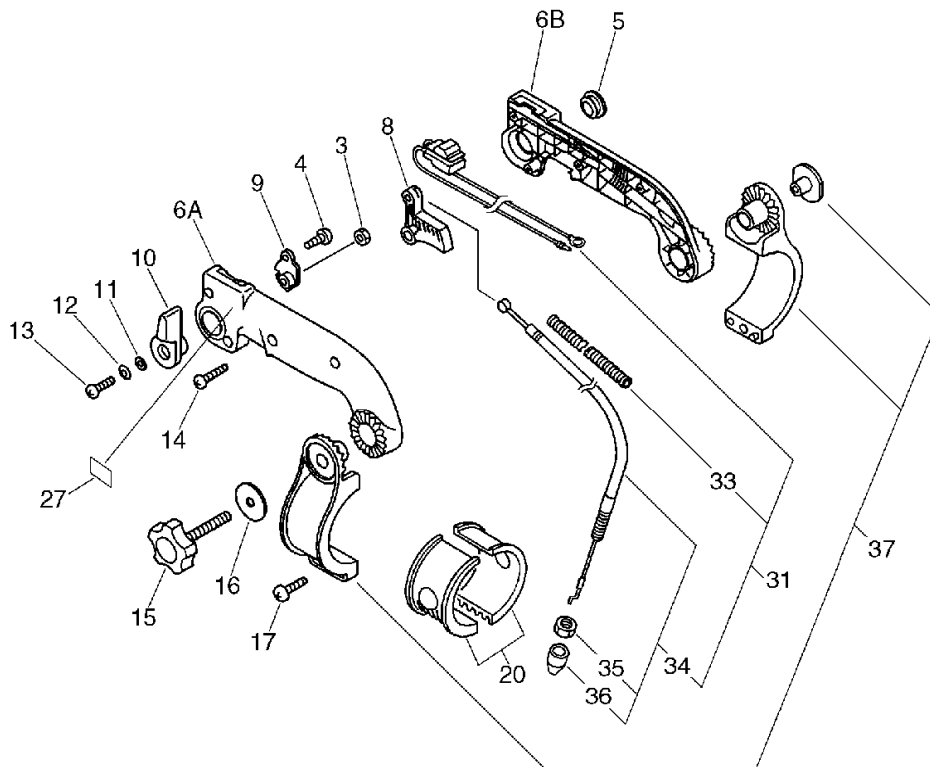
KEY	LV	PART NUMBER	Q'TY	DESCRIPTION	REMARKS	NOTE1	NOTE2
48	+	104295-21260	1	PAD, FOAM	192*118*12.7		
18		900239-05025	5	SCREW 5*25	5*25		
20		178101-08260	1	HOLDER KIT, CABLE			
21	+	900238-05025	1	SCREW 5*25	5*25		
22		E103-000104	1	CASE, FAN			
22		E103-000105	1	CASE, FAN	EI#000616		
22		E103-000106	1	CASE, FAN			
23		104913-08360	2	BRACKET, ENGINE			
25		900246-03012	4	SCREW 3*12	3*12		
26		351335-08260	2	CUSHION			
27		200010-09861	1	FAN			
28		900162-05020	4	BOLT, H.S. 5*20	5*20 W,SW		
29		200111-08266	1	CASE, FAN	GRID SIDE		
29		200111-08267	1	CASE, FAN			
31		900253-05030	7	SCREW 5*30	5*30		
32		C606-000010	1	PLATE, VENT			
34		200124-09860	1	GRID, FAN CASE			
35		900253-05016	2	SCREW	5*16		
36		890560-90660	1	LABEL, PRIMING			
50		104921-21260	5	SPACER	6.2*7.9*13.5L		

6. BACKPACK HARNESS



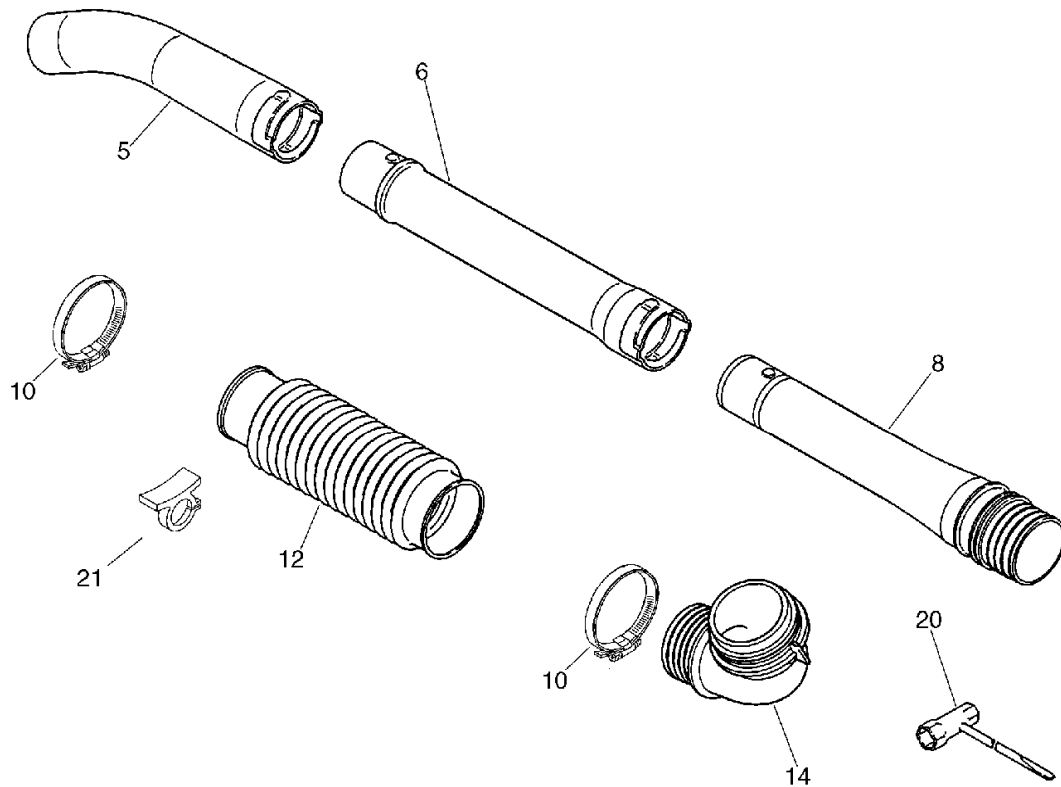
KEY	LV	PART NUMBER	Q'TY	DESCRIPTION	REMARKS	NOTE1	NOTE2
1		C061-000111	2	HARNESS,ASM BACKPACK	ECHO SCREEN PRNT		
2		V491-000040	2	CLIP			
4		900516-00005	4	NUT, FRANGE 5	5		
5		300105-08261	1	CUSHION, KNAPSACK			
6		V491-000120	4	CLIP			
8		300217-00610	10	WASHER			
9		300010-08362	1	FRAME, BACKPACK			
10		900253-05016	4	SCREW	5*16		
11		91145-05016	6	BOLT HS TAPPING	5*16		
12		701161-21260	1	PANEL (R)			
14		701160-21260	1	PANEL (L)			
15		C622-000030	1	CONNECTOR,FRAME	(L)		
16		V401-000100	2	CUSHION,5			
17		C622-000040	1	CONNECTOR,FRAME			
18		900209-05014	2	SCREW, 5*14	5*14		
19		300614-08260	2	BRACKET, HANGER			
20		900209-05020	4	SCREW, 5*20	5*20		
21		A127-000080	1	COVER,DUST			
25		91147-05020	2	BOLT HS FL TAPP			
26		900162-05020	4	BOLT, H.S. 5*20	5*20 W,SW		
27		V150-001350	2	PLATE,EYE			
28		V456-000010	2	HOLDER,SPRING			
29		V450-000390	2	SPRING,COMPRESSION			
30		V263-000050	2	NUT,5			
31		613019-07350	2	WASHER 5.5*16*2T	5.5*16*2T		

7. THROTTLE



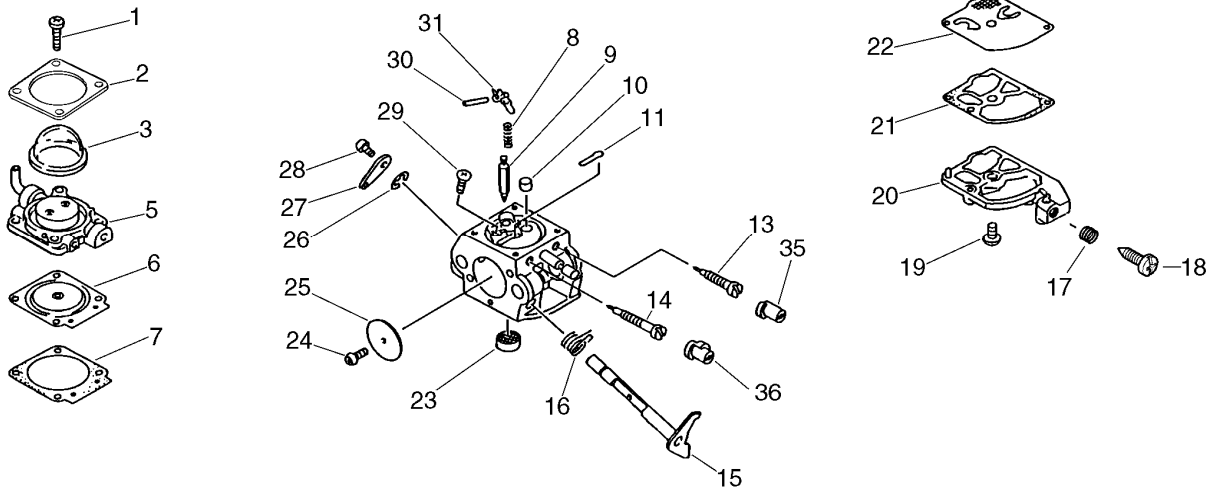
KEY	LV	PART NUMBER	Q'TY	DESCRIPTION	REMARKS	NOTE1	NOTE2
3		900500-00006	1	NUT 6	6		
4		900245-04010	1	SCREW 4*10	4*10		
5		351146-07560	1	PLUG			
6A		351315-07560	1	HANDLE, FRONT			
6B		351311-07560	1	HANDLE, FRONT			
8		178010-07561	1	CONTROL, THROTTLE			
9		178123-07561	1	BRACKET, THROTTLE			
10		178054-07560	1	CONTRTOL, THROTTLE			
11		900603-00006	1	WASHER 6	6.5*13*1		
12		900605-00006	1	WASHER, SPRING 6	6		
13		900235-06020	1	SCREW 6*20	6*20		
14		900256-04022	4	SCREW 4*22	4*22		
15		305812-08260	1	KNOB, FASTENER			
16		178516-07560	1	WASHER 6			
17		900253-05020	1	SCREW 5*20	5*20		
27		890157-06560	1	LABEL, SWITCH			
31		V043-000021	1	CABLE,ASM CONTROL			
33	+	V475-003210	1	TUBE	7*10*860		
34	+	V430-001240	1	CABLE,BOWDEN			
35	++	900500-00006	1	NUT 6	6		
36	++	178082-08260	1	CAP			
37		P021-014110	1	BRACKET ASSY, HANDLE			

8. PIPE



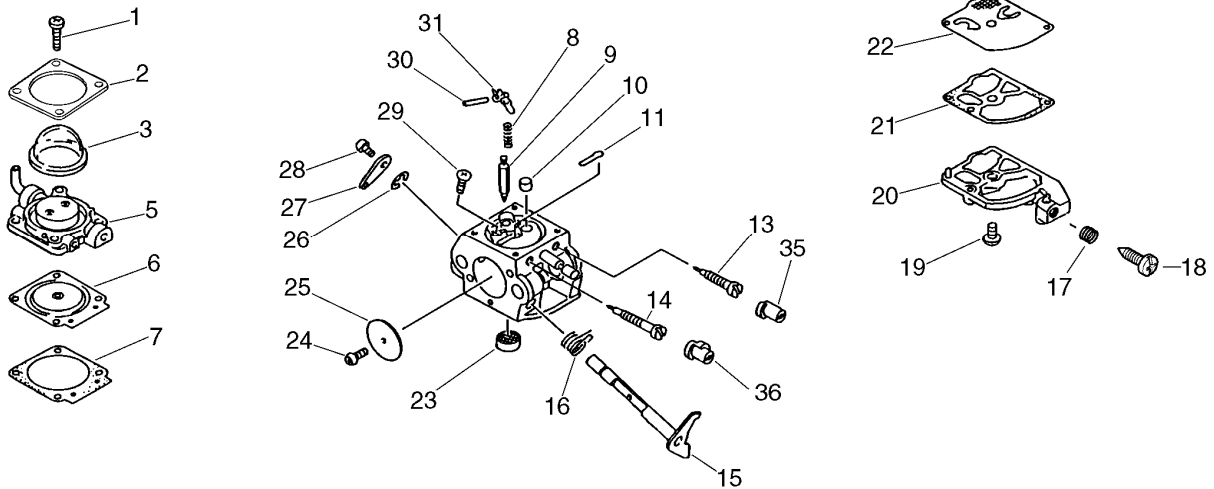
KEY	LV	PART NUMBER	Q'TY	DESCRIPTION	REMARKS	NOTE1	NOTE2
5		210023-03460	1	PIPE, CURVED (BL)			
6		210015-03460	1	PIPE, STRAIGHT (BL)			
8		212005-07560	1	PIPE, BLOWER			
10		V495-000430	2	BAND	58.7MM / 82.5MM		
12		210013-08360	1	PIPE, FLEXIBLE			
14		210011-08260	1	ELBOW, BLOWING			
20		895410-39131	1	WRENCH, W/S-DRIVER			
21		V491-000191	1	CLIP			

9. CARBURETOR



KEY	LV	PART NUMBER	Q'TY	DESCRIPTION	REMARKS	NOTE1	NOTE2
		125200-08564	1	CARBURETOR	C1M-K37D		
1	+	125344-05360	4	SCREW			
2	+	P005-000620	1	RETAINER			
3	+	125381-08660	1	PUMP, PRIMING			
4	+	125310-05360	2	SCREW			
5	+	P005-000610	1	BASE, PRIMER			
6	+	125341-08360	1	DIAPHRAGM			
7	+	125340-34530	1	GASKET, DIAPHRAGM			
8	+	125322-07260	1	SPRING, COIL			
9	+	125337-08260	1	VALVE, INLET NEEDLE			
10	+	P005-001040	1	NOZZLE, CHECK VALVE			
11	+	125345-15130	1	PLUG, WELCH			
12	+	125319-42030	2	SPRING, COIL			
13	+	P005-000420	1	SCREW, MAIN MIXTURE			
14	+	P005-000430	1	SCREW ASY IDLE MIX.			
15	+	125317-08360	1	SHAFT, THROTTLE			
16	+	125313-08360	1	SPRING, THRT. RETURN			
17	+	125333-08560	1	SPRING, ADJUST SCREW			
18	+	125344-08560	1	SCREW			
19	+	P005-000980	1	SCREW			
20	+	125324-08360	1	COVER, PUMP			
21	+	125325-08360	1	GASKET, PUMP			
22	+	125312-08360	1	DIAPHRAGM, FUEL PUMP			
23	+	125326-08360	1	STRAINER			
24	+	125314-51230	1	SCREW	3*4.5		
25	+	125316-08560	1	VALVE, THROTTLE			

9. CARBURETOR



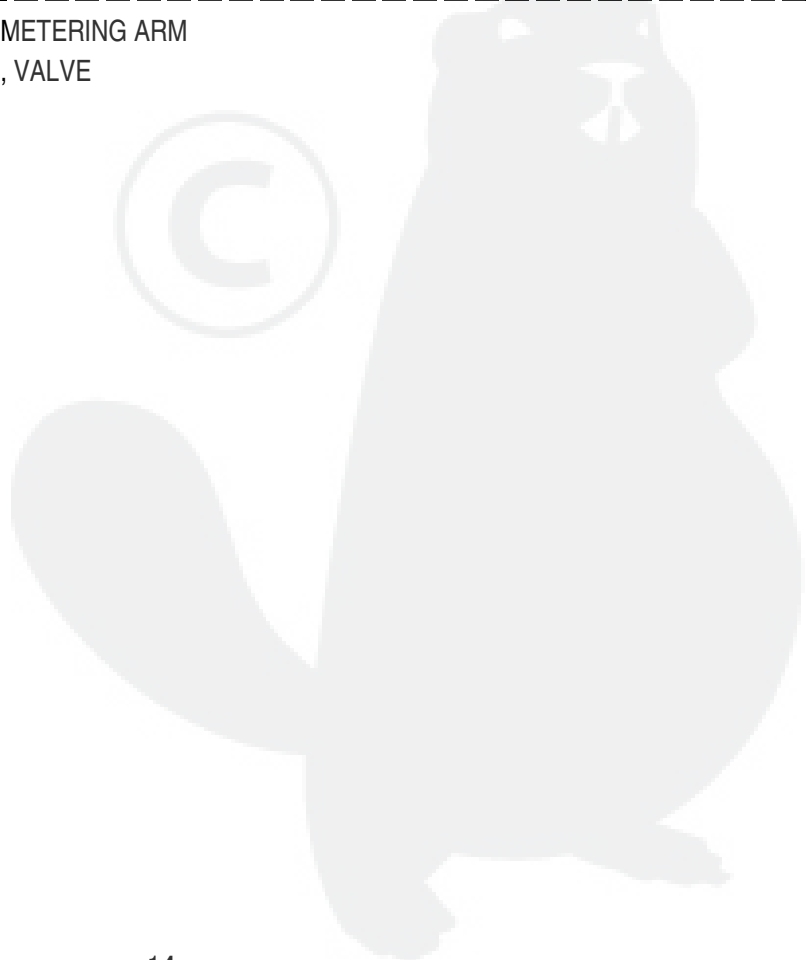
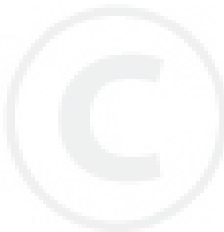
KEY	LV	PART NUMBER	Q'TY	DESCRIPTION	REMARKS	NOTE1	NOTE2
26	+	125327-13930	1	CLIP			
27	+	125350-08360	1	LEVER, THROTTLE			
28	+	125348-13930	1	SCREW			
29	+	125339-42030	1	SCREW			
29	+	125339-13930	1	SCREW			
30	+	125338-13930	1	PIN, METERING ARM			
31	+	125323-08260	1	ARM, VALVE			
34	+	125353-20560	2	WASHER			
35		125329-08560	1	LIMITER, MIXTURE			
36		125329-09860	1	LIMITER, MIXTURE			

10. REPAIR KIT

KEY	LV	PART NUMBER	Q'TY	DESCRIPTION	REMARKS	NOTE1	NOTE2
		889000-08263	1	GASKET KIT			
1-9	+	130016-06211	1	GASKET, INTAKE			
1-10	+	101010-10722	1	GASKET, CYL. BASE			
1-22	+	100242-10721	1	GASKET, CRANKCASE			
3-24	+	130016-03731	1	GASKET, CARBURETOR			
3-28	+	130010-10323	1	GASKET			
3-28	+	V103-000000	1	GASKET, INTAKE			
2-32	+	145510-06210	2	GASKET, MUFFLER			
2-32	+	145510-06211	2	GASKET, MUFFLER			
	+	101010-06211	1	GASKET, CYL. BASE			
	+	130016-06434	1	GASKET			
	+	145866-04261	1	GASKET			
		125303-08360	1	GASKET/DIAPHRAGM KIT			
9-6	+	125341-08360	1	DIAPHRAGM			
9-7	+	125340-34530	1	GASKET, DIAPHRAGM			
9-21	+	125325-08360	1	GASKET, PUMP			
9-22	+	125312-08360	1	DIAPHRAGM, FUEL PUMP			
		125300-08560	1	REBUILD KIT			
9-6	+	125341-08360	1	DIAPHRAGM			
9-7	+	125340-34530	1	GASKET, DIAPHRAGM			
9-8	+	125322-07260	1	SPRING, COIL			
9-9	+	125337-08260	1	VALVE, INLET NEEDLE			
9-11	+	125345-15130	1	PLUG, WELCH			
9-22	+	125312-08360	1	DIAPHRAGM, FUEL PUMP			
9-23	+	125326-08360	1	STRAINER			
9-21	+	125325-08360	1	GASKET, PUMP			

10. REPAIR KIT

KEY	LV	PART NUMBER	Q'TY	DESCRIPTION	REMARKS	NOTE1	NOTE2
9-30	+	125338-13930	1	PIN, METERING ARM			
9-31	+	125323-08260	1	ARM, VALVE			



Index

Patrs Number	Key No.	Patrs Number	Key No.	Patrs Number	Key No.
100100-06210	1 - 32	125337-08260	9 - 9	145510-06210	10 - 2-32
100204-08261	1 - 17	125337-08260	10 - 9-9	145510-06211	1 - 4
100213-00310	1 - 21	125338-13930	9 - 30	145510-06211	10 - 2-32
100215-03930	1 - 19	125338-13930	10 - 9-30	145515-21061	2 - 37
100242-10721	1 - 22	125339-13930	9 - 29	145637-21260	3 - 8
100242-10721	10 - 1-22	125339-42030	9 - 29	145800-21261	2 - 31
101010-06211	10 -	125340-34530	9 - 7	145809-21261	2 - 35
101010-10722	1 - 10	125340-34530	10 - 9-7	145862-21260	2 - 34
101010-10722	10 - 1-10	125340-34530	10 - 9-7	145866-04261	10 -
101514-08260	1 - 8	125341-08360	9 - 6	145866-21360	2 - 33
101514-21260	1 - 3	125341-08360	10 - 9-6	145887-21060	2 - 38
104292-21160	5 - 41	125341-08360	10 - 9-6	151112-04630	1 - 27
104292-21260	5 - 45	125344-05360	9 - 1	156111-06160	2 - 7
104293-21160	5 - 43	125344-08560	9 - 18	156601-08360	2 - 6
104293-21260	5 - 44	125345-15130	9 - 11	156800-06161	2 - 4
104294-21160	5 - 46	125345-15130	10 - 9-11	159010-10230	2 - 10
104294-21260	5 - 47	125348-13930	9 - 28	159011-03432	2 - 9
104295-21160	5 - 42	125350-08360	9 - 27	159012-01620	2 - 8
104295-21260	5 - 48	125353-20560	9 - 34	159129-08261	1 - 25
104910-09860	5 - 19	125381-08660	9 - 3	177200-21260	2 - 17
104913-08360	5 - 23	130007-08261	3 - 27	177202-06210	2 - 13
104921-21260	5 - 50	130010-10323	10 - 3-28	177214-40630	2 - 19
125200-08564	3 - 25	130010-21262	3 - 26	177215-11120	2 - 20
125200-08564	9 -	130016-03731	3 - 24	177218-40630	2 - 16
125300-08560	10 -	130016-03731	10 - 3-24	177220-11120	2 - 24
125303-08360	10 -	130016-06211	1 - 9	177226-11120	2 - 21
125310-05360	9 - 4	130016-06211	10 - 1-9	177227-42030	2 - 22
125312-08360	9 - 22	130016-06434	10 -	177228-01110	2 - 23
125312-08360	10 - 9-22	130305-08361	3 - 9	177234-40630	2 - 15
125312-08360	10 - 9-22	130307-08360	3 - 10	177236-40630	2 - 18
125313-08360	9 - 16	130308-08360	3 - 5	178010-07561	7 - 8
125314-51230	9 - 24	130341-08260	3 - 7	178054-07560	7 - 10
125316-08560	9 - 25	130711-08260	3 - 16	178076-08360	3 - 30
125317-08360	9 - 15	130715-08260	3 - 15	178082-08260	7 - 36
125319-42030	9 - 12	131010-08266	4 - 12	178101-08260	5 - 20
125322-07260	9 - 8	131016-21060	4 - 9	178123-07561	7 - 9
125322-07260	10 - 9-8	131032-08360	3 - 11	178127-03460	4 - 22
125323-08260	9 - 31	131051-27230	4 - 1	178516-07560	7 - 16
125323-08260	10 - 9-31	131053-03060	4 - 4	200010-09861	5 - 27
125324-08360	9 - 20	131205-19831	4 - 19	200111-08266	5 - 29
125325-08360	9 - 21	131314-06320	4 - 7	200111-08267	5 - 29
125325-08360	10 - 9-21	131600-09861	4 - 5	200124-09860	5 - 34
125325-08360	10 - 9-21	132010-08260	4 - 13	210011-08260	8 - 14
125326-08360	9 - 23	132011-08260	4 - 14	210013-08360	8 - 12
125326-08360	10 - 9-23	132013-26630	4 - 20	210015-03460	8 - 6
125327-13930	9 - 26	132015-08260	4 - 21	210023-03460	8 - 5
125329-08560	9 - 35	132016-08260	4 - 15	212005-07560	8 - 8
125329-09860	9 - 36	132021-08260	4 - 16	300010-08362	6 - 9
125333-08560	9 - 17	132115-02960	4 - 17	300105-08261	6 - 5

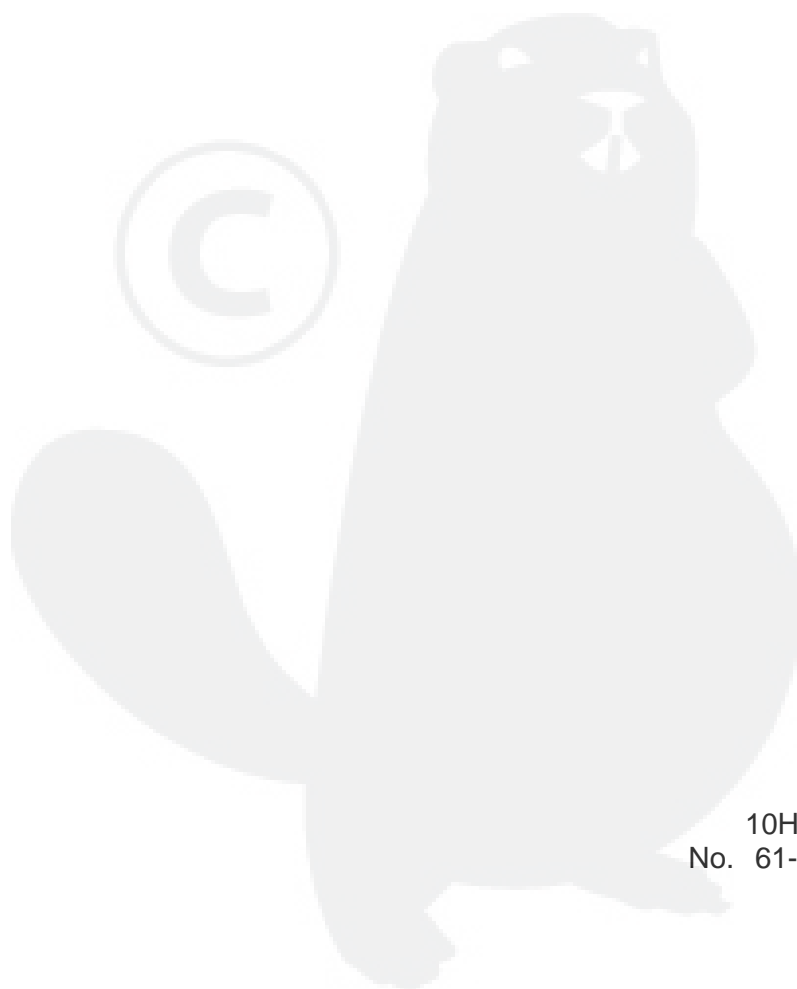
Index

Patrs Number	Key No.	Patrs Number	Key No.	Patrs Number	Key No.
300217-00610	6 - 8	900253-05020	7 - 17	P021-043140	3 - 17
300614-08260	6 - 19	900253-05030	5 - 31	V043-000021	7 - 31
305812-08260	7 - 15	900256-04022	7 - 14	V103-000000	3 - 28
351010-08260	5 - 7	900319-30070	4 - 2	V103-000000	10 - 3-28
351110-08260	5 - 5	900323-03014	1 - 33	V150-001350	6 - 27
351146-07560	7 - 5	900345-30025	3 - 6	V263-000050	6 - 30
351311-07560	7 - 6B	900500-00006	7 - 3	V401-000100	6 - 16
351315-07560	7 - 6A	900500-00006	7 - 35	V430-001240	7 - 34
351335-08260	5 - 26	900501-00010	2 - 1	V450-000390	6 - 29
351337-08260	5 - 6	900516-00005	3 - 14	V456-000010	6 - 28
613019-07350	6 - 31	900516-00005	4 - 10	V471-000770	4 - 18
701160-21260	6 - 14	900516-00005	5 - 9	V475-003210	7 - 33
701161-21260	6 - 12	900516-00005	5 - 10	V485-000190	2 - 11
880826-21260	5 - 14	900516-00005	6 - 4	V491-000040	6 - 2
889000-08263	10 -	900600-00003	4 - 3	V491-000120	6 - 6
890157-06560	7 - 27	900600-00005	5 - 2	V491-000191	8 - 21
890158-08261	3 - 19	900602-00010	2 - 3	V491-000220	3 - 31
890160-09461	5 - 8	900603-00006	7 - 11	V495-000430	8 - 10
890560-90660	5 - 36	900605-00006	7 - 12	X502-000500	5 - 17
890611-21262	5 - 11	900605-00010	2 - 2	X505-002310	5 - 16
890617-21260	5 - 33	900700-00004	2 - 14		
895410-39131	8 - 20	900810-36202	1 - 18		
900080-00400	2 - 36	91145-05016	6 - 11		
900105-05060	5 - 1	91147-05020	6 - 25		
900162-05020	2 - 39	91540-05014	3 - 13		
900162-05020	5 - 28	A127-000080	6 - 21		
900162-05020	6 - 26	A130-000210	1 - 6		
900162-05022	1 - 5	A221-000000	3 - 23		
900162-05025	3 - 29	A244-000020	3 - 22		
900162-05032	1 - 28	A322-000060	5 - 12		
900162-05040	1 - 20	A358-000000	4 - 8		
900163-04018	2 - 26	C061-000111	6 - 1		
900209-05014	6 - 18	C606-000010	5 - 32		
900209-05020	4 - 11	C622-000030	6 - 15		
900209-05020	6 - 20	C622-000040	6 - 17		
900235-06020	7 - 13	E103-000104	5 - 22		
900238-05010	1 - 7	E103-000105	5 - 22		
900238-05018	1 - 26	E103-000106	5 - 22		
900238-05018	2 - 5	P005-000420	9 - 13		
900238-05025	3 - 18	P005-000430	9 - 14		
900238-05025	5 - 21	P005-000610	9 - 5		
900238-05045	5 - 3	P005-000620	9 - 2		
900239-05025	5 - 18	P005-000980	9 - 19		
900242-05057	3 - 20	P005-001040	9 - 10		
900245-04010	7 - 4	P021-000300	2 - 40		
900246-03012	5 - 25	P021-002540	1 - 11		
900253-05016	5 - 4	P021-013090	5 - 15		
900253-05016	5 - 35	P021-014110	7 - 37		
900253-05016	6 - 10	P021-016330	5 - 13		

YAMABIKO CORPORATION

7-2 SUEHIROCHO 1-CHOME, OHME, TOKYO 198-8760, JAPAN
PHONE: 81-428-32-6118. FAX: 81-428-32-6145.

ECHO®



10Hb
No. 61-095