



PARTS CATALOG

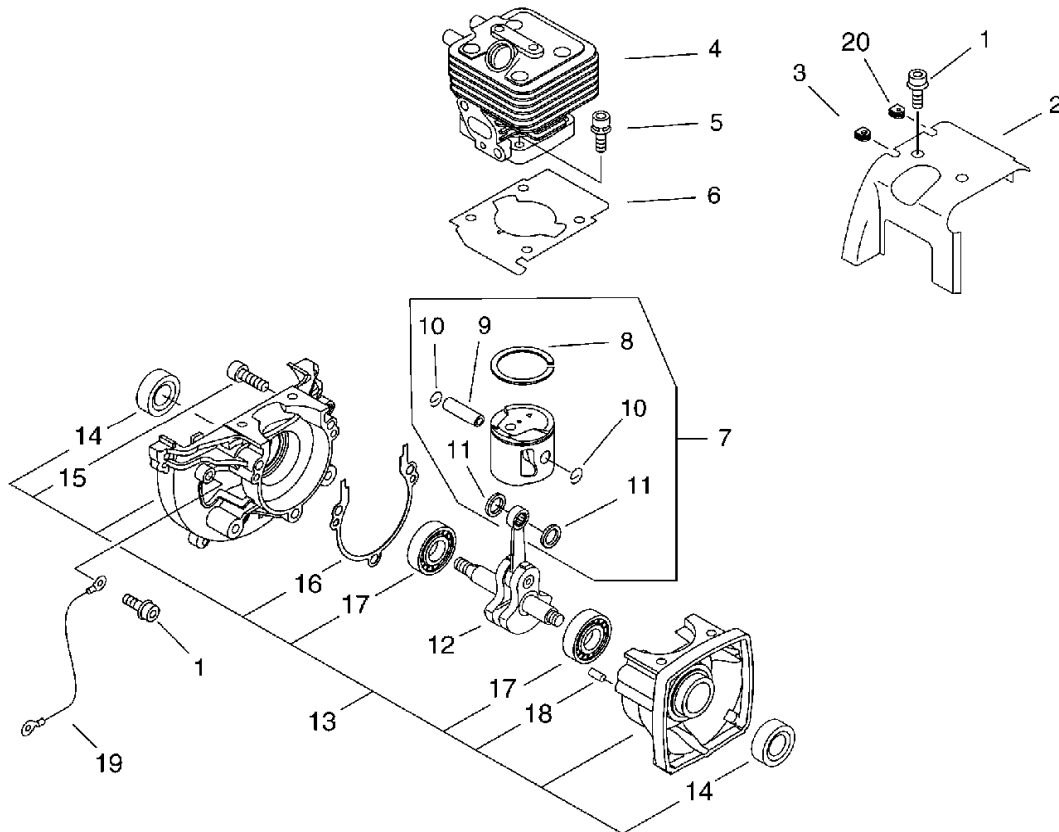
BACKPACK BLOWER

PB-265ESL(37)

37004053 -

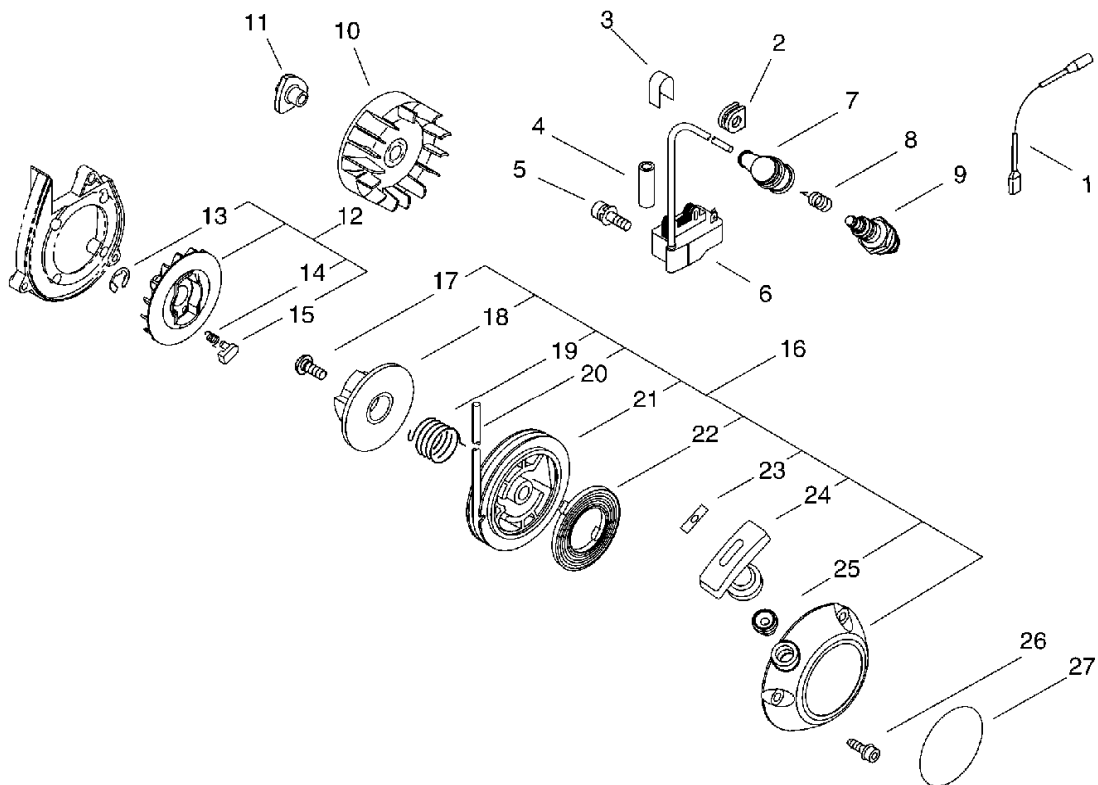
P014-000160-10Hb

1. CYLINDER, CRANKCASE, PISTON



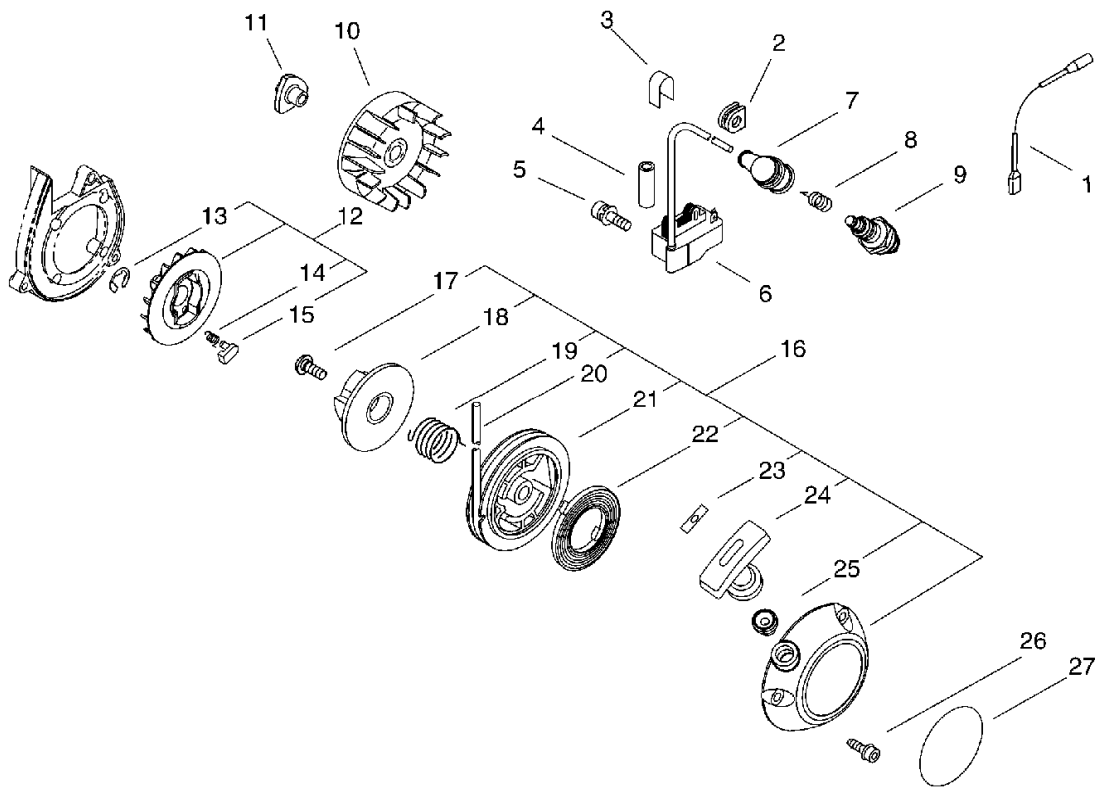
KEY	LV	PART NUMBER	Q'TY	DESCRIPTION	REMARKS	NOTE1	NOTE2
1		900106-05008	3	BOLT, H.S. 5* 8	5*8		
2		A160-000771	1	COVER,CYLINDER			
3		156110-04920	1	BUSHING			
4		A130-000780	1	CYLINDER			
5		900162-05025	4	BOLT, H.S. 5*25	5*25 W,SW		
6		V100-000190	1	GASKET,CYL			
7		P021-010260	1	PISTON KIT			
8	+	A101-000140	1	RING, PISTON	B1.2 T1.5		
9	+	V606-000000	1	PIN,ENG 8	5*8*28		
10	+	100015-04630	2	CIRCLIP, PISTON PIN			
11	+	100014-11520	2	SPACER, PISTON PIN			
12		A011-000371	1	CRANKSHAFT,ASM			
13		P021-008231	1	CRANKCASE KIT			
14	+	100212-42031	2	OILSEAL	ISCD 12*22*4.5		
15	+	900162-05028	3	BOLT, H.S. 5*28	5*28 W,SW		
16	+	100242-42030	1	GASKET, CRANKCASE			
17	+	94035-36201	2	BEARING BALL	6201X3JR2C3		
18	+	100215-03930	2	PIN, DOWEL			
19		V485-000800	1	LEAD	L:90		
20		152115-05530	1	BUSHING			

2. STARTER, MAGNETO



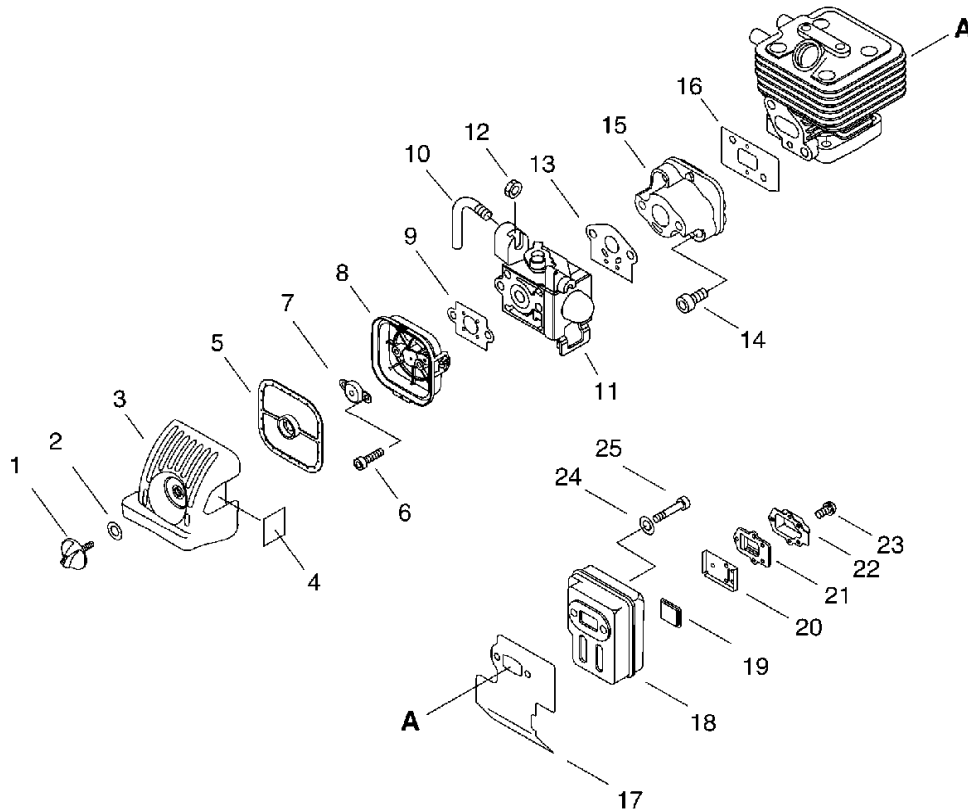
KEY	LV	PART NUMBER	Q'TY	DESCRIPTION	REMARKS	NOTE1	NOTE2
1		V485-000740	1	LEAD			
2		156110-04920	1	BUSHING			
3		X532-000720	1	LABEL, OPERATION	SPARKPLUG BPMR8Y		
4		V475-003380	1	TUBE			
5		91113-04020	2	BOLT	CM-4*20 SW,W		
6		A411-000290	1	COIL, IGNITION	EMG-60 ID#C10146		
7		A427-000013	1	CAP, SPARK PLUG			
8		A426-000010	1	TERMINAL, SPARKPLUG			
9		A425-000000	1	SPARKPLUG	BPMR8Y		
10		A409-000210	1	ROTOR, MAGNETO			
11		E101-000071	1	HUB, FAN	M8*1.25		
12		A052-000250	1	PULLEY, ASM STARTER			
13	+	900700-00004	2	E-RING 4	CE-4		
14	+	V452-000280	2	SPRING, TORSION			
15	+	A514-000070	2	PAWL			
16		A050-000110	1	STARTER, RECOIL			
17	+	177236-61830	1	SCREW			
18	+	P022-008280	1	PLATE, CAM			
19	+	P022-008270	1	SPRING, DAMPER			
20	+	P022-008260	1	ROPE	3M/M		
21	+	P022-006830	1	DRUM			
22	+	177220-42030	1	SPRING, REWIND			
23	+	177246-11120	1	CLIP, STARTER ROPE			
24	+	177228-27030	1	GRIP, STARTER			

2. STARTER, MAGNETO



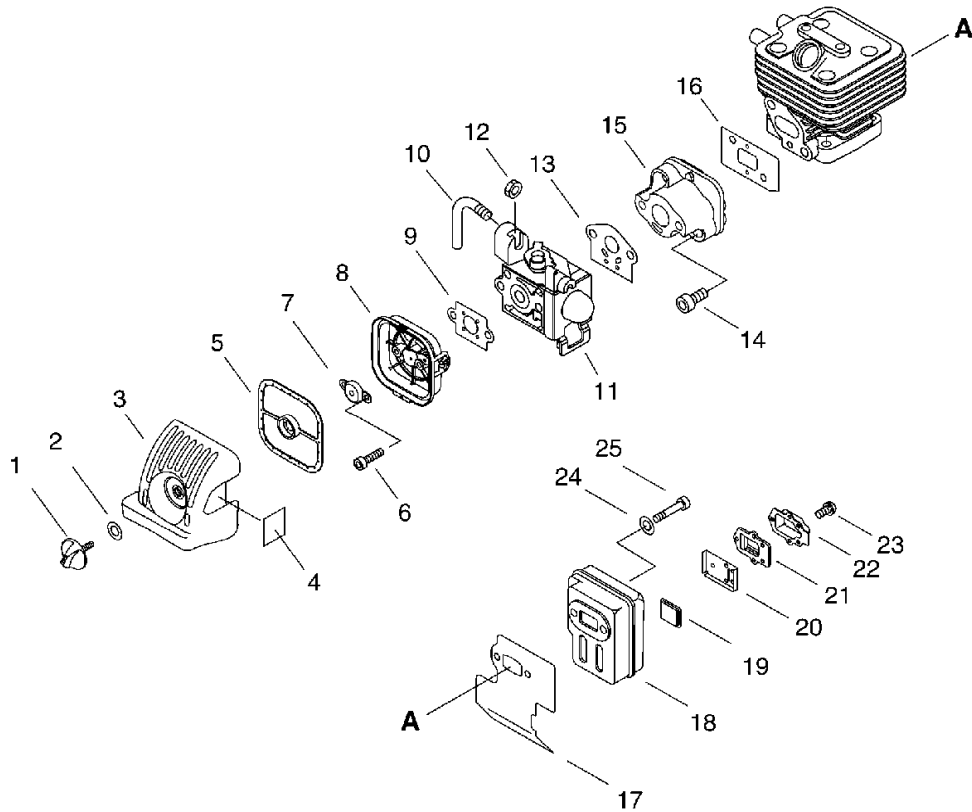
KEY	LV	PART NUMBER	Q'TY	DESCRIPTION	REMARKS	NOTE1	NOTE2
25	+	177227-42030	1	GUIDE, ROPE			
26		91145-05016	10	BOLT HS TAPPING	5*16		
27		X502-000330	1	LABEL,ECHO	ECHO		

3. AIR CLEANER, CARBURETOR, MUFFLER



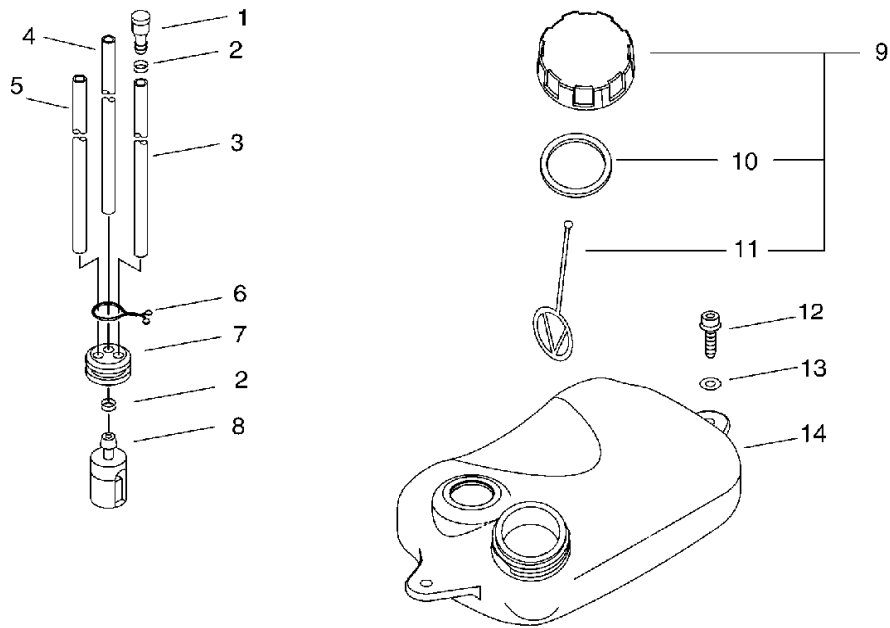
KEY	LV	PART NUMBER	Q'TY	DESCRIPTION	REMARKS	NOTE1	NOTE2
1		V299-000250	1	KNOB,FASTENER			
2		131911-03460	1	WASHER			
3		A232-000340	1	LID,CLEANER	ID#1220		
4		X506-000090	1	LABEL,CHOKE			
5		A226-000350	1	ELEMENT, AIR FILTER			
5		A226-000470	1	ELEMENT, AIR FILTER			
5		A226-000471	1	ELEMENT, AIR FILTER			
6		900105-05060	2	BOLT, H.S. 5*60	5*60		
7		A244-000070	1	PLATE,PREVENT			
8		P021-010980	1	CLEANER CASE ASY			
9		130016-42031	1	GASKET, INTAKE			
10		C482-000040	1	CONNECTOR, CABLE			
11		A021-001350	1	CARBURETOR,DIAPHRAGM	RB-X1567B		
12		92003-07000	1	NUT	3N-7*0.75		
13		130010-13410	1	GASKET, INTAKE			
14		900162-05025	2	BOLT, H.S. 5*25	5*25 W,SW		
15		A200-000280	1	INSULATOR, INTAKE			
16		V103-000300	1	GASKET,INTAKE	T:0.5		
17		V104-000750	1	GASKET,EXHAUST	NP7003		
18		A300-000141	1	MUFFLER,EXHAUST			
18		A300-000790	1	MUFFLER, EXHAUST			
18		A300-000810	1	MUFFLER, EXHAUST			
19		A310-000070	1	SCREEN, ARRESTOR	22*28*3		
20		V104-000840	1	GASKET,EXHAUST			
21		A313-000840	1	GUIDE, EXHAUST	20.5*3		
22		A313-000821	1	GUIDE, EXHAUST			

3. AIR CLEANER, CARBURETOR, MUFFLER



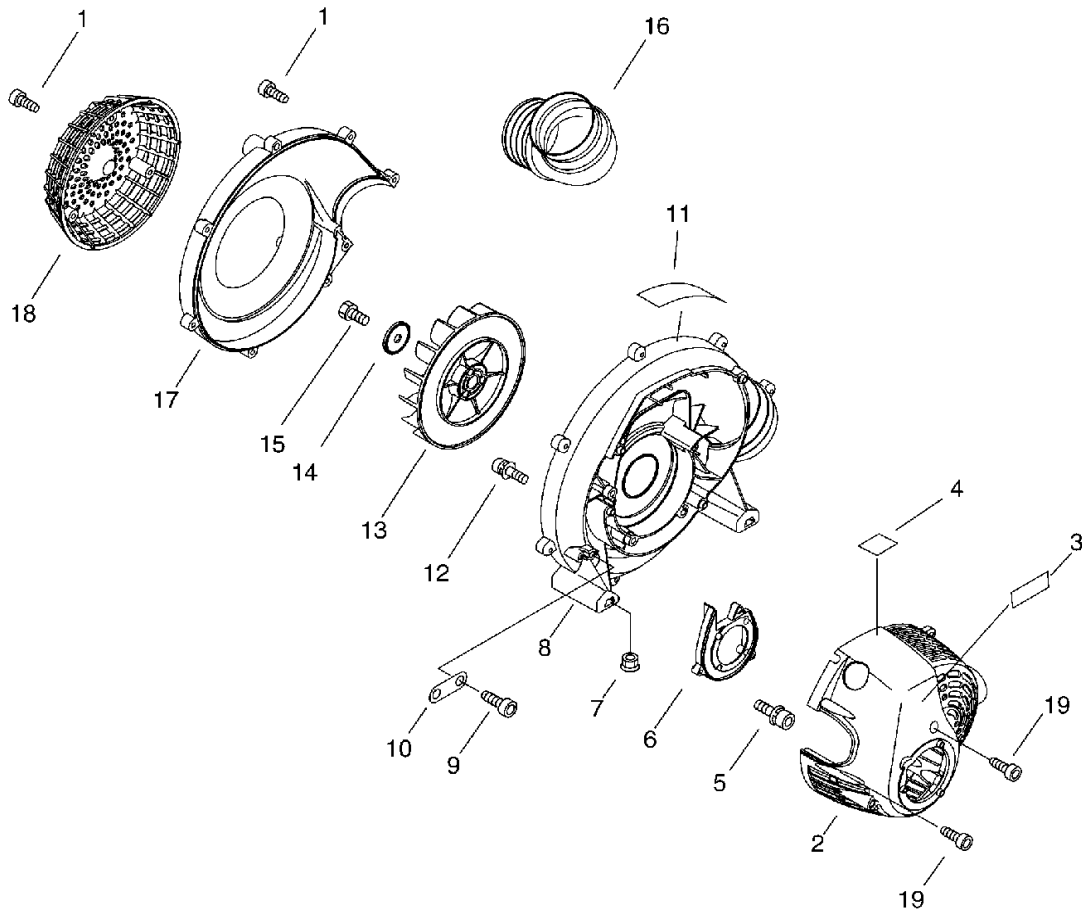
KEY	LV	PART NUMBER	Q'TY	DESCRIPTION	REMARKS	NOTE1	NOTE2
23		91367-04010	5	SCREW	4*10/SW(SUS)		
24		900603-00005	2	WASHER 5	5.5*12*0.8		
25		V203-000190	2	BOLT,5	AN A2-70		

4. FUEL TANK



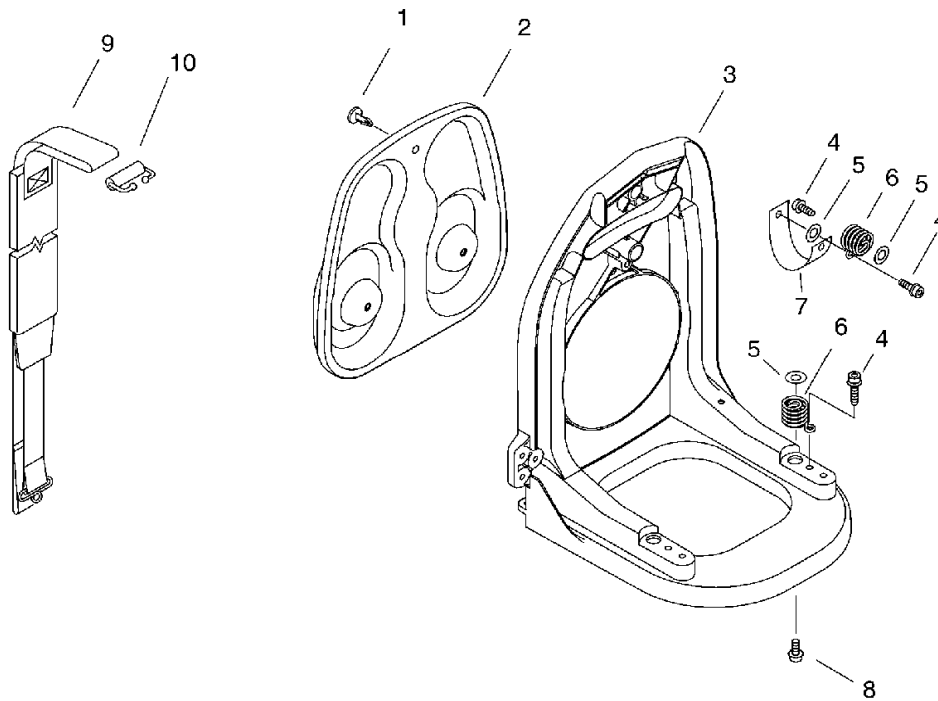
KEY	LV	PART NUMBER	Q'TY	DESCRIPTION	REMARKS	NOTE1	NOTE2
1		A356-000030	1	VALVE,CHECK			
2		132013-09820	2	CLIP	6MM		
3		V471-001200	1	PIPE	3*5*70 NBR		
4		V471-001230	1	PIPE	3*5*210 NBR		
5		V471-000630	1	PIPE			
5		V471-003000	1	PIPE	3*6*125		
6		132013-05060	1	CLIP, PIPE			
7		132115-55930	1	GROMMET, FUEL			
8		131205-07320	1	STRAINER, FUEL			
9		131004-55530	1	CAP ASSY, FUEL TANK			
10	+	131016-55830	1	GASKET, FUEL CAP			
11	+	131051-56030	1	CLIP, FUEL CAP	100L		
12		91147-05020	2	BOLT HS FL TAPP			
13		613019-07350	2	WASHER 5.5*16*2T	5.5*16*2T		
14		A350-000560	1	TANK, FUEL			

5. FAN CASE



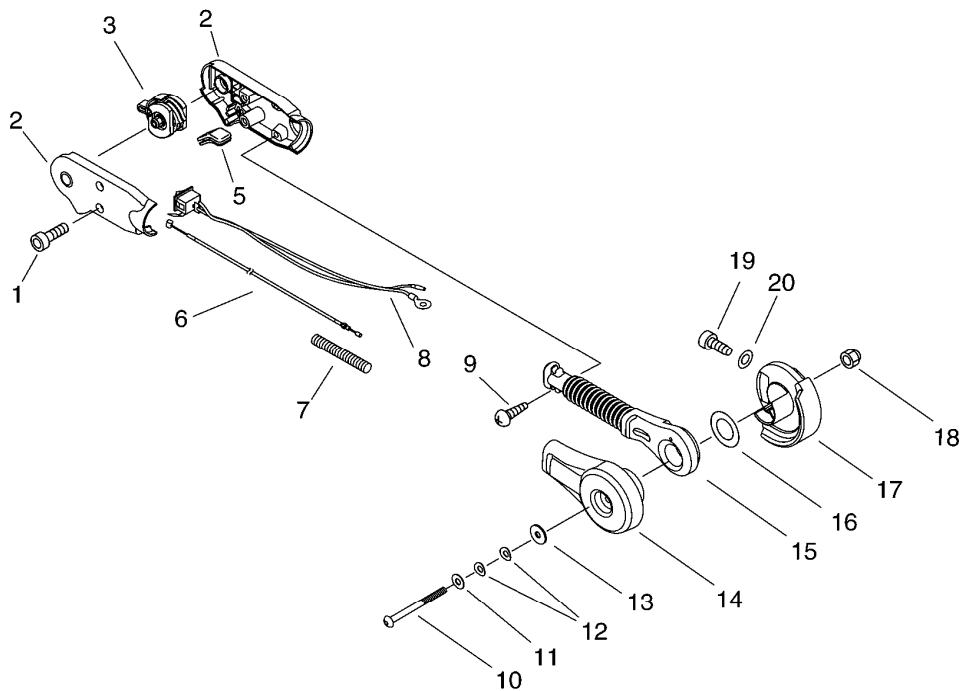
KEY	LV	PART NUMBER	Q'TY	DESCRIPTION	REMARKS	NOTE1	NOTE2
1		91145-05020	11	BOLT HS TAPPING	5*20		
2		A190-000581	1	COVER,ENGINE			
3		X503-008170	1	LABEL,MODEL	PB-265ESL		
4		X505-002310	1	LABEL,CAUTION	HOT CAUTION		
5		900163-04016	4	BOLT HSH			
6		V376-000830	1	SPACER			
7		V263-000070	2	NUT,5			
8		E103-000380	1	CASE,FAN			
9		91145-05016	1	BOLT HS TAPPING	5*16		
10		V150-001350	1	PLATE,EYE			
11		X505-002080	1	LABEL,CAUTION			
12		900162-04020	4	BOLT, H.S. 4*20	4*20 W,SW		
13		E100-000064	1	FAN,BLOWER	PA6,U141		
14		100143-19830	1	WASHER	8.2*31*0.8		
15		900100-08014	1	BOLT 8*14	8*14		
16		E160-000111	1	PIPE,MAIN			
17		E103-000390	1	CASE,FAN			
18		E104-000071	1	GRID, BLOWER			
19		91145-05016	7	BOLT HS TAPPING	5*16		

6. BACKPACK HARNESS



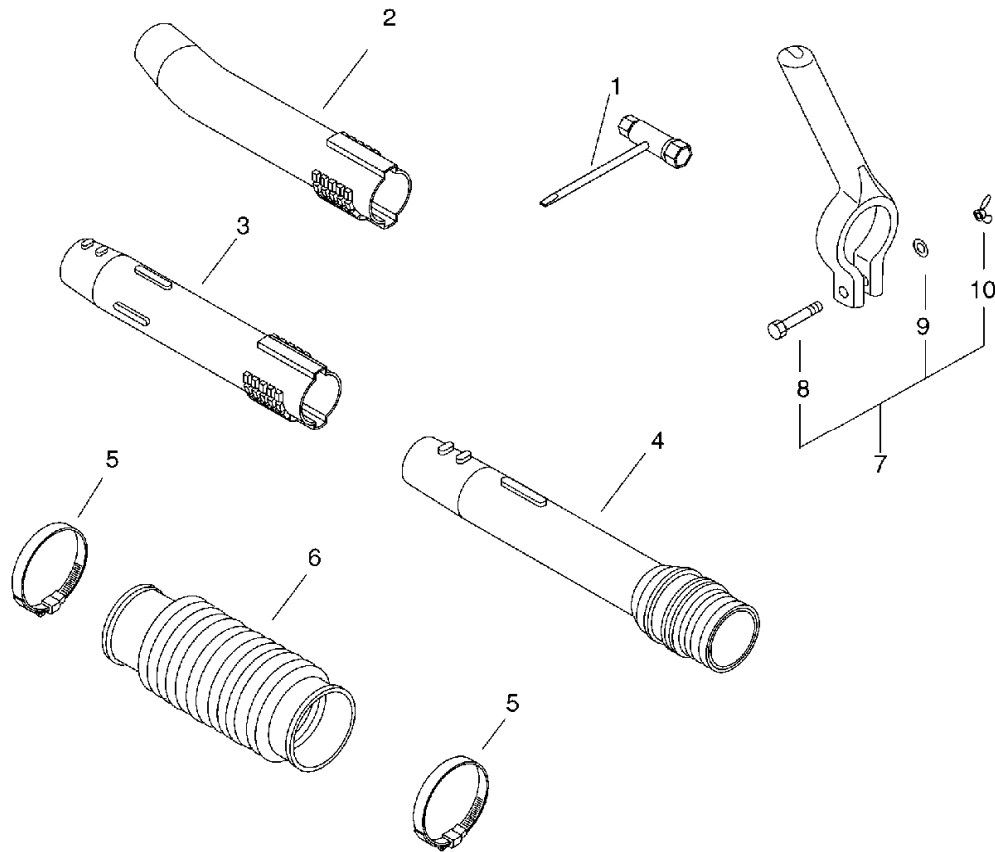
KEY	LV	PART NUMBER	Q'TY	DESCRIPTION	REMARKS	NOTE1	NOTE2
1		300333-06160	3	CLIP			
2		C630-000040	1	SEAT, BACKPACK			
3		C620-000290	1	FRAME, BACKPACK			
4		91147-05020	4	BOLT HS FL TAPP			
5		613019-07350	4	WASHER 5.5*16*2T	5.5*16*2T		
6		V450-000551	3	SPRING, COMPRESSION			
7		C617-000290	1	STOPPER	T:1.2*20		
8		900106-05014	2	BOLT, H.S. 5*14	5*14		
9		C061-000190	2	HARNESS, ASM BACKPACK			
10		V491-000040	2	CLIP			

7. THROTTLE



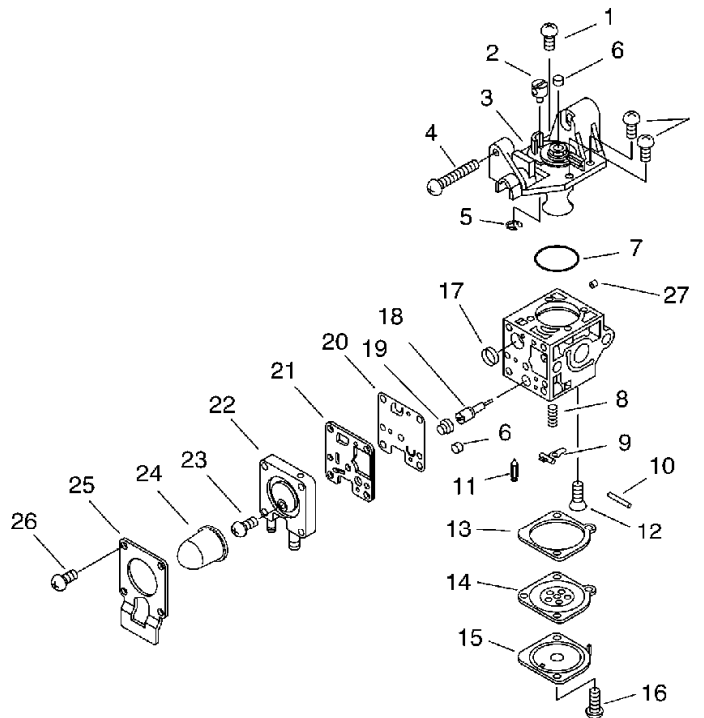
KEY	LV	PART NUMBER	Q'TY	DESCRIPTION	REMARKS	NOTE1	NOTE2
1		900105-05014	2	BOLT, H.S. 5*14	5*14		
2		P021-014670	1	GRIP ASY, HANDLE			
2		P021-014671	1	GRIP ASY, HANDLE			
3		C470-000161	1	HOLDER, TRIGGER	ASS'Y HEX POCKET		
5		V144-000181	1	GROMMET			
6		V430-001760	1	CABLE,BOWDEN	L640		
7		V475-003820	1	TUBE	13*80		
8		A045-000141	1	SWITCH, ON OFF	ROCKER SWITCH		
9		889950-21060	2	SCREW 5			
10		V204-000150	1	BOLT,6	M6*75		
11		699118-04560	1	WASHER			
12		178160-21060	2	WASHER, FRICTION	6.6*14.3		
13		V304-000040	1	WASHER,CIRCULAR 6	6.6*20*1.6		
14		C472-000050	1	FIXTURE,TRIGGER BRKT			
15		C456-000050	1	ARM, TRIGGER	ACT050324-A 7B		
16		V336-000000	1	WASHER,CIRCULAR 45			
17		C472-000041	1	FIXTURE,TRIGGER BRKT			
18		900562-50006	1	LOCKNUT 6	6		
19		91145-05025	3	BOLT, TAPPING	5*25 HS		
20		613019-07350	3	WASHER 5.5*16*2T	5.5*16*2T		

8. PIPE



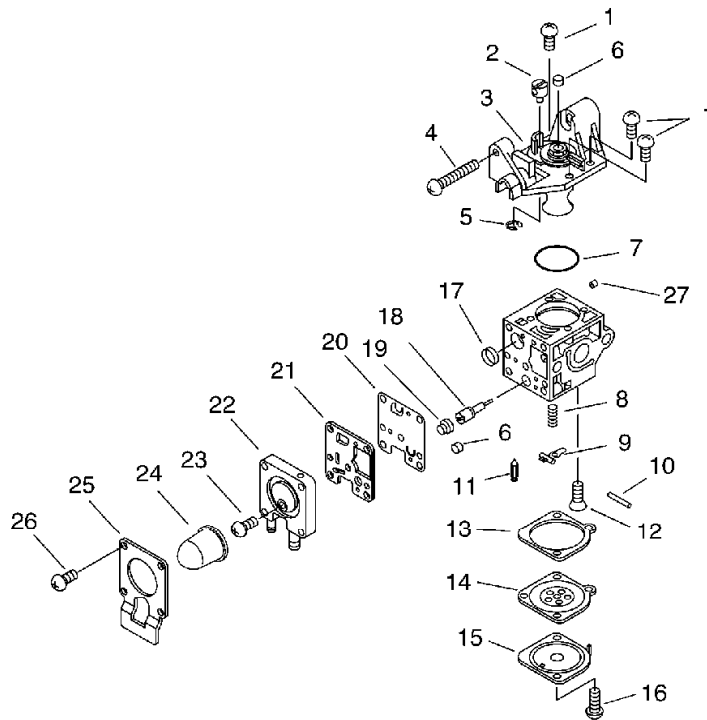
KEY	LV	PART NUMBER	Q'TY	DESCRIPTION	REMARKS	NOTE1	NOTE2
1		895410-06960	1	WRENCH, W/S-DRIVER			
2		E165-000160	1	PIPE,BLOWER	418MM*65/79MM		
3		E165-000141	1	PIPE,BLOWER	418MM * 73/79MM		
4		E165-000130	1	PIPE,BLOWER	362MM*73/84MM		
5		V495-000430	2	BAND	58.7MM / 82.5MM		
6		E164-000000	1	PIPE,FLEXIBLE			
7		C040-000000	1	HANDLE,FRONT			
8	+	900100-06045	1	BOLT 6*45	6*45		
9	+	900600-00006	1	WASHER 6	6		
10	+	900525-00006	1	NUT, WING 6	BN6		

9. CARBURETOR



KEY	LV	PART NUMBER	Q'TY	DESCRIPTION	REMARKS	NOTE1	NOTE2
		A021-001350	1	CARBURETOR,DIAPHRAGM	RB-X1567B		
1	+	125344-13931	3	SCREW			
2	+	P005-001240	1	POST			
3	+	P005-002000	1	COVER ASY, ROTOR			
4	+	P005-000100	1	SCREW,THROTTLEADJUST			
5	+	P005-000190	1	E-RING			
6	++	P005-001270	1	PLUG, H AJUST SCREW			
7	+	P005-000280	1	O-RING			
8	+	P005-000940	1	SPRING, METER. LEVER			
9	+	125323-08260	1	ARM, VALVE			
10	+	125338-13930	1	PIN, METERING ARM			
11	+	125337-08260	1	VALVE, INLET NEEDLE			
12	+	125339-42030	1	SCREW			
13	+	P005-000200	1	GASKET, METERING			
14	+	P005-001780	1	DIAPHRAGM			
15	+	125342-52130	1	COVER, DIAPHRAGM			
16	+	125344-52130	2	SCREW			
17	+	P005-000010	1	STRAINER			
18	+	P005-001260	1	SCREW,MAINN MIXTURE			
19	+	P005-001250	1	RETAINER,PLUG BALL			
20	+	P005-000510	1	DIAPHRAGM, PUMP			
21	+	P005-000520	1	GASKET, PUMP			
22	+	P005-001890	1	BASE, ASY PRIMER			
23	+	P005-000270	1	SCREW			
24	+	125381-08660	1	PUMP, PRIMING			
25	+	P005-000250	1	RETAINER			

9. CARBURETOR



KEY	LV	PART NUMBER	Q'TY	DESCRIPTION	REMARKS	NOTE1	NOTE2
26	+	P005-001900	4	SCREW			
27	+	P005-001000	1	ROLLER, GUIDE			

10. REPAIR KIT

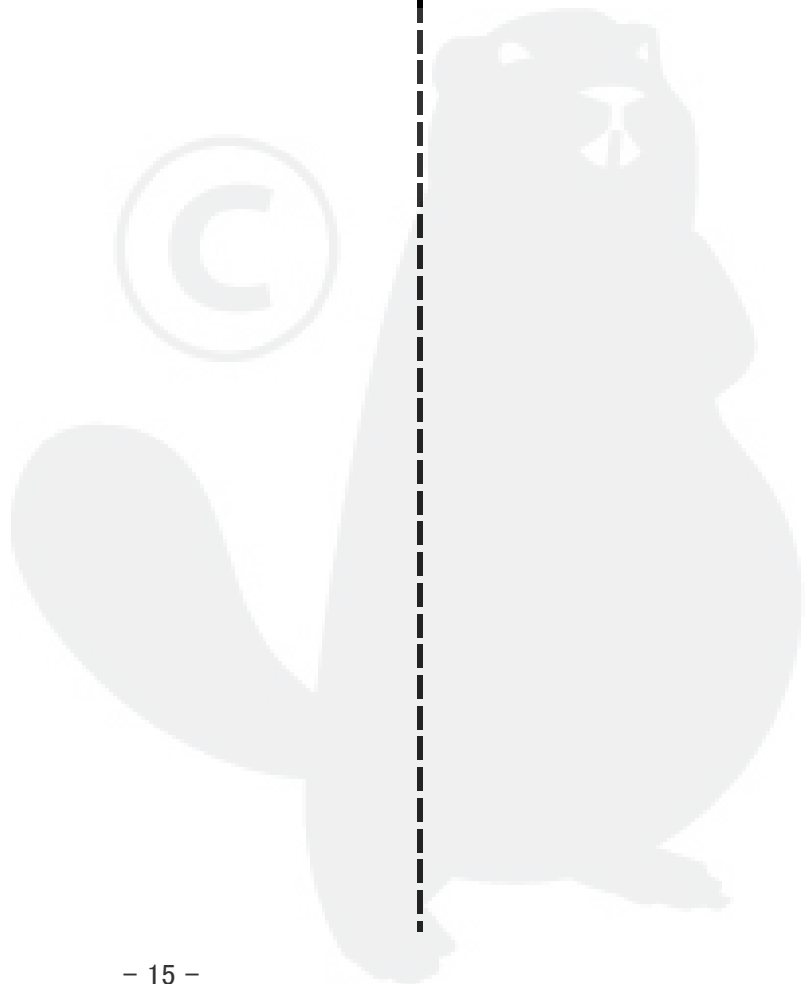
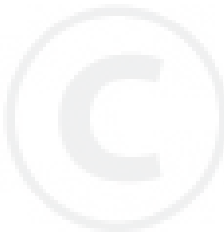
KEY	LV	PART NUMBER	Q'TY	DESCRIPTION	REMARKS	NOTE1	NOTE2
1		P021-012380	1	GASKET KIT			
2	+	V100-000190	1	GASKET,CYL			
3	+	100242-42030	1	GASKET, CRANKCASE			
4	+	130010-13410	1	GASKET, INTAKE			
5	+	V103-000300	1	GASKET,INTAKE	T:0.5		
6	+	130016-42031	1	GASKET, INTAKE			
7	+	V104-000750	1	GASKET,EXHAUST	NP7003		
8	+	V104-000840	1	GASKET,EXHAUST			

Index

Patrs Number	Key No.	Patrs Number	Key No.	Patrs Number	Key No.
100014-11520	1 - 11	900162-04020	5 - 12	A427-000013	2 - 7
100015-04630	1 - 10	900162-05025	1 - 5	A514-000070	2 - 15
100143-19830	5 - 14	900162-05025	3 - 14	C040-000000	8 - 7
100212-42031	1 - 14	900162-05028	1 - 15	C061-000190	6 - 9
100215-03930	1 - 18	900163-04016	5 - 5	C456-000050	7 - 15
100242-42030	1 - 16	900525-00006	8 - 10	C470-000161	7 - 3
100242-42030	10 - 3	900562-50006	7 - 18	C472-000041	7 - 17
125323-08260	9 - 9	900600-00006	8 - 9	C472-000050	7 - 14
125337-08260	9 - 11	900603-00005	3 - 24	C482-000040	3 - 10
125338-13930	9 - 10	900700-00004	2 - 13	C617-000290	6 - 7
125339-42030	9 - 12	91113-04020	2 - 5	C620-000290	6 - 3
125342-52130	9 - 15	91145-05016	2 - 26	C630-000040	6 - 2
125344-13931	9 - 1	91145-05016	5 - 9	E100-000064	5 - 13
125344-52130	9 - 16	91145-05016	5 - 19	E101-000071	2 - 11
125381-08660	9 - 24	91145-05020	5 - 1	E103-000380	5 - 8
130010-13410	3 - 13	91145-05025	7 - 19	E103-000390	5 - 17
130010-13410	10 - 4	91147-05020	4 - 12	E104-000071	5 - 18
130016-42031	3 - 9	91147-05020	6 - 4	E160-000111	5 - 16
130016-42031	10 - 6	91367-04010	3 - 23	E164-000000	8 - 6
131004-55530	4 - 9	92003-07000	3 - 12	E165-000130	8 - 4
131016-55830	4 - 10	94035-36201	1 - 17	E165-000141	8 - 3
131051-56030	4 - 11	A011-000371	1 - 12	E165-000160	8 - 2
131205-07320	4 - 8	A021-001350	3 - 11	P005-000010	9 - 17
131911-03460	3 - 2	A021-001350	9 -	P005-000100	9 - 4
132013-05060	4 - 6	A045-000141	7 - 8	P005-000190	9 - 5
132013-09820	4 - 2	A050-000110	2 - 16	P005-000200	9 - 13
132115-55930	4 - 7	A052-000250	2 - 12	P005-000250	9 - 25
152115-05530	1 - 20	A101-000140	1 - 8	P005-000270	9 - 23
156110-04920	1 - 3	A130-000780	1 - 4	P005-000280	9 - 7
156110-04920	2 - 2	A160-000771	1 - 2	P005-000510	9 - 20
177220-42030	2 - 22	A190-000581	5 - 2	P005-000520	9 - 21
177227-42030	2 - 25	A200-000280	3 - 15	P005-000940	9 - 8
177228-27030	2 - 24	A226-000350	3 - 5	P005-001000	9 - 27
177236-61830	2 - 17	A226-000470	3 - 5	P005-001240	9 - 2
177246-11120	2 - 23	A226-000471	3 - 5	P005-001250	9 - 19
178160-21060	7 - 12	A232-000340	3 - 3	P005-001260	9 - 18
300333-06160	6 - 1	A244-000070	3 - 7	P005-001270	9 - 6
613019-07350	4 - 13	A300-000141	3 - 18	P005-001780	9 - 14
613019-07350	6 - 5	A300-000790	3 - 18	P005-001890	9 - 22
613019-07350	7 - 20	A300-000810	3 - 18	P005-001900	9 - 26
699118-04560	7 - 11	A310-000070	3 - 19	P005-002000	9 - 3
889950-21060	7 - 9	A313-000821	3 - 22	P021-008231	1 - 13
895410-06960	8 - 1	A313-000840	3 - 21	P021-010260	1 - 7
900100-06045	8 - 8	A350-000560	4 - 14	P021-010980	3 - 8
900100-08014	5 - 15	A356-000030	4 - 1	P021-012380	10 - 1
900105-05014	7 - 1	A409-000210	2 - 10	P021-014670	7 - 2
900105-05060	3 - 6	A411-000290	2 - 6	P021-014671	7 - 2
900106-05008	1 - 1	A425-000000	2 - 9	P022-006830	2 - 21
900106-05014	6 - 8	A426-000010	2 - 8	P022-008260	2 - 20

Index

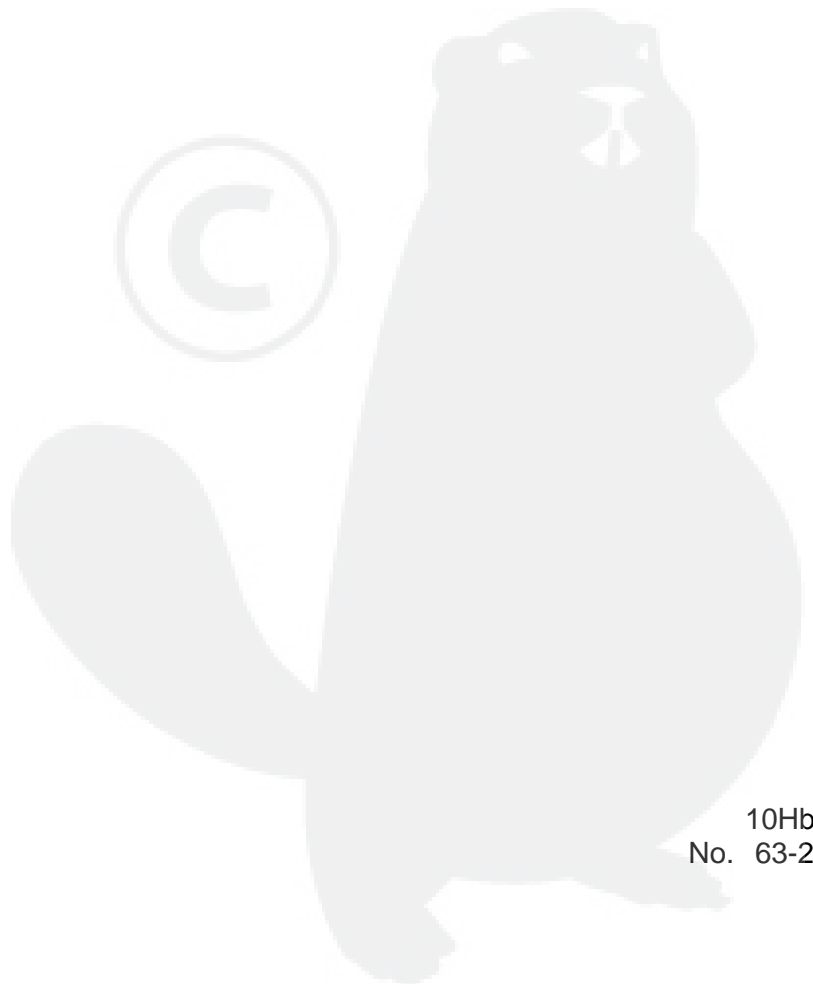
Patrs Number	Key No.	Patrs Number	Key No.	Patrs Number	Key No.
P022-008270	2 - 19				
P022-008280	2 - 18				
V100-000190	1 - 6				
V100-000190	10 - 2				
V103-000300	3 - 16				
V103-000300	10 - 5				
V104-000750	3 - 17				
V104-000750	10 - 7				
V104-000840	3 - 20				
V104-000840	10 - 8				
V144-000181	7 - 5				
V150-001350	5 - 10				
V203-000190	3 - 25				
V204-000150	7 - 10				
V263-000070	5 - 7				
V299-000250	3 - 1				
V304-000040	7 - 13				
V336-000000	7 - 16				
V376-000830	5 - 6				
V430-001760	7 - 6				
V450-000551	6 - 6				
V452-000280	2 - 14				
V471-000630	4 - 5				
V471-001200	4 - 3				
V471-001230	4 - 4				
V471-003000	4 - 5				
V475-003380	2 - 4				
V475-003820	7 - 7				
V485-000740	2 - 1				
V485-000800	1 - 19				
V491-000040	6 - 10				
V495-000430	8 - 5				
V606-000000	1 - 9				
X502-000330	2 - 27				
X503-008170	5 - 3				
X505-002080	5 - 11				
X505-002310	5 - 4				
X506-000090	3 - 4				
X532-000720	2 - 3				



YAMABIKO CORPORATION

7-2 SUEHIROCHO 1-CHOME, OHME, TOKYO 198-8760, JAPAN
PHONE: 81-428-32-6118. FAX: 81-428-32-6145.

ECHO®



10Hb
No. 63-229