



PARTS CATALOG

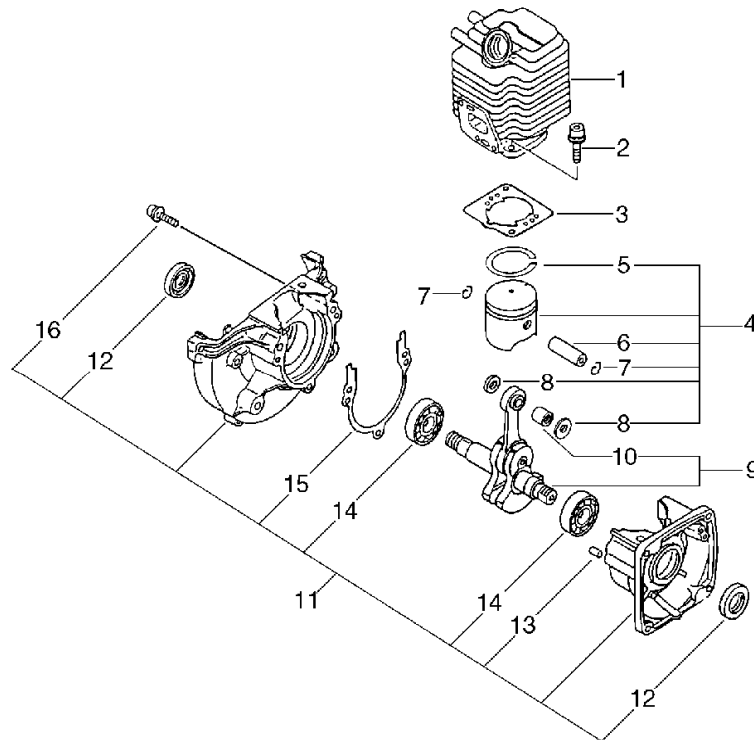
BACKPACK BLOWER

PB-2350(37)

37005541 -

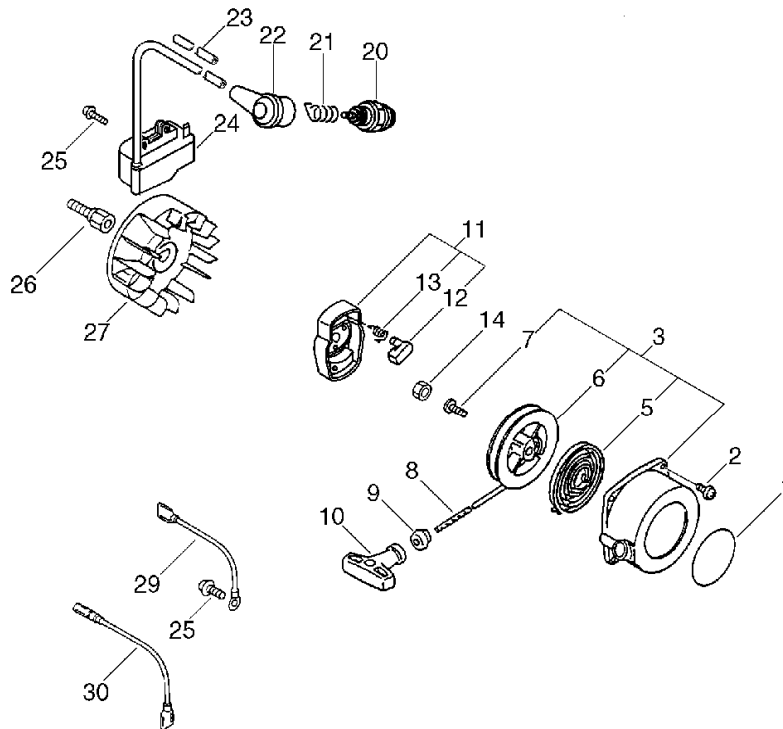
P014-000560-10Hc

1. CYLINDER, CRANKCASE, PISTON



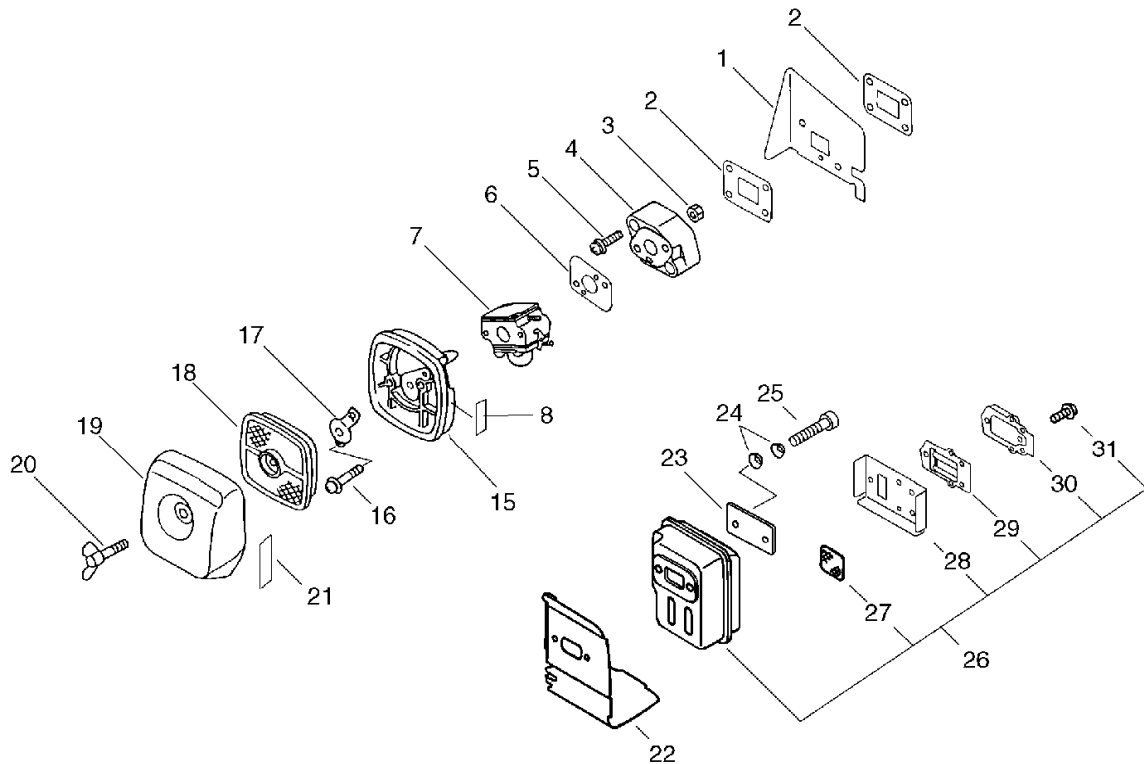
KEY	LV	PART NUMBER	Q'TY	DESCRIPTION	REMARKS	NOTE1	NOTE2
1		A130-000550	1	CYLINDER			
2		900162-05022	2	BOLT, H.S. 5*22	5*22 W,SW		
3		V100-000160	1	GASKET, CYL			
4		P021-007712	1	PISTON KIT			
5	+	A101-000090	1	RING, PISTON			
6	+	100013-11520	1	PIN, PISTON			
7	+	100015-04630	2	CIRCLIP, PISTON PIN			
8	+	100014-11520	2	SPACER, PISTON PIN			
9		A011-000150	1	CRANKSHAFT, ASM			
10	+	V553-000060	1	BEARING, NEEDLE 8	HK0810FMV4		
11		100204-52132	1	CRANKCASE KIT			
12	+	100212-42031	2	OILSEAL	ISCD 12*22*4.5		
13	+	100215-03930	2	PIN, DOWEL			
14	+	94035-36201	2	BEARING BALL	6201X3JR2C3		
15	+	100242-42030	1	GASKET, CRANKCASE			
16	+	900162-05028	3	BOLT, H.S. 5*28	5*28 W,SW		

2. STARTER, MAGNETO



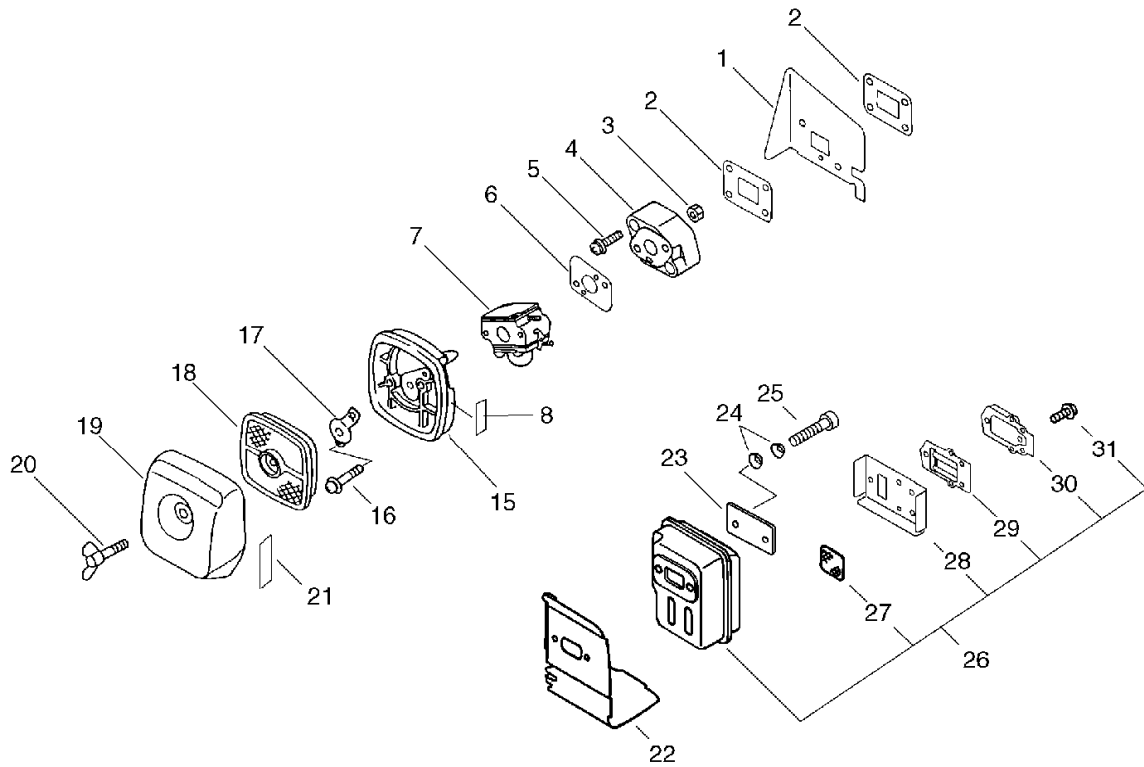
KEY	LV	PART NUMBER	Q'TY	DESCRIPTION	REMARKS	NOTE1	NOTE2
1		X502-000330	1	LABEL,ECHO	ECHO		
2		900163-04016	4	BOLT HSH			
3		177200-42033	1	STARTER ASSY			
11		A052-000061	1	PULLEY,ASM STARTER			
14		900595-00008	1	NUT	8		
20		A425-000000	1	SPARKPLUG	BPMR8Y		
21		159011-03432	1	COIL, SPARK PLUG			
22		159012-01620	1	CAP, SPARK PLUG			
23		V471-000660	1	PIPE	6*8*70		
24		A411-000130	1	COIL,IGNITION			
25		900162-04020	2	BOLT, H.S. 4*20	4*20 W,SW		
26		200011-05661	1	HUB, FAN			
27		A409-000210	1	ROTOR,MAGNETO			
29		162021-20560	1	LEAD	130L		
30		V485-000040	1	LEAD			

3. AIR CLEANER, CARBURETOR, MUFFLER



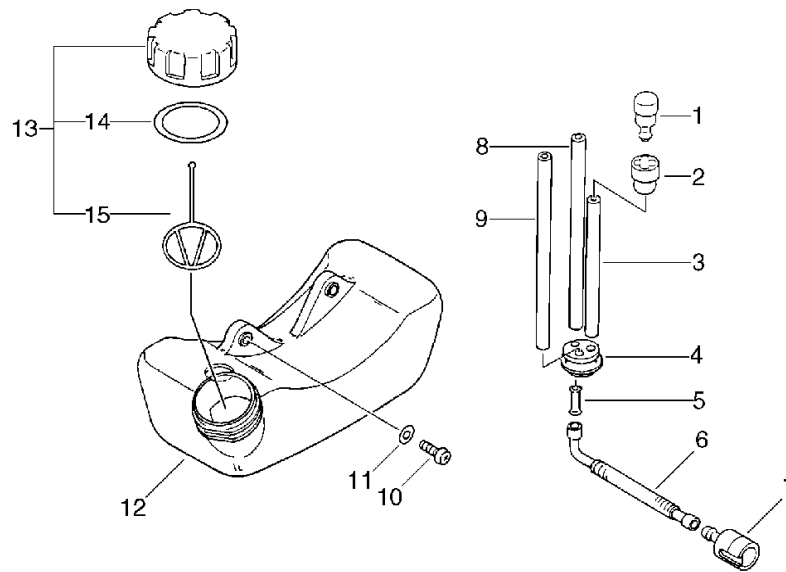
KEY	LV	PART NUMBER	Q'TY	DESCRIPTION	REMARKS	NOTE1	NOTE2
1		101514-20560	1	COVER, CYLINDER			
2		130010-09561	2	GASKET, INTAKE			
3		900500-00005	2	NUT 5	5		
4		130017-05062	1	INSULATOR, INTAKE			
5		900238-05022	2	SCREW 5*22	5*22		
6		130010-20560	1	GASKET, INTAKE			
7		A021-000940	1	CARBURETOR, DIAPHRAGM	C1U-K78		
8		890560-90660	1	LABEL, PRIMING			
15		130307-06960	1	CASE, AIR CLEANER			
16		900242-05065	2	SCREW 5*65	5*65		
17		129011-52730	1	PLATE, PREVENT			
18		130310-54130	1	FILTER, AIR			
18		A226-001410	1	ELEMENT, AIR FILTER			
19		130313-05863	1	LID, AIR CLEANER			
19		130313-05863	1	LID, AIR CLEANER			
20		210417-52730	1	BOLT, WING	5*20		
21		890121-05360	1	LABEL, METERING			
22		V104-000631	1	GASKET, EXHAUST			
23		V150-000371	1	PLATE, EYE			
24		V347-000000	4	WASHER, CONICAL			
25		900105-05055	2	BOLT, H.S. 5*55	5*55		
26		P021-036080	1	MUFFLER ASY			
26		P021-036081	1	MUFFLER ASY			
27	+	145862-40630	1	SCREEN, MUFFLER			
28	+	V104-001760	1	GASKET, EXHAUST			
28	+	V104-000360	1	GASKET, EXHAUST			

3. AIR CLEANER, CARBURETOR, MUFFLER



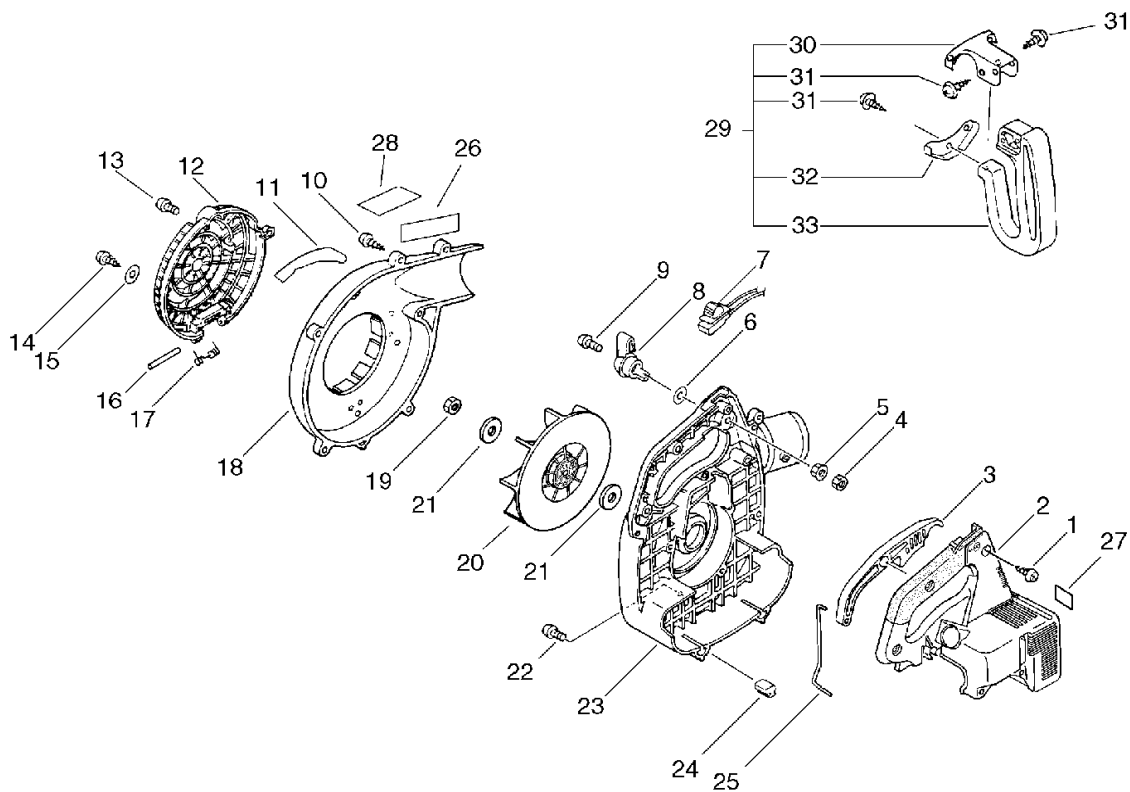
KEY	LV	PART NUMBER	Q'TY	DESCRIPTION	REMARKS	NOTE1	NOTE2
29	+	A313-000590	1	GUIDE,EXH			
30	+	A313-000630	1	GUIDE,EXH			
31	+	91367-04010	5	SCREW	4*10/SW(SUS)		

4. FUEL TANK



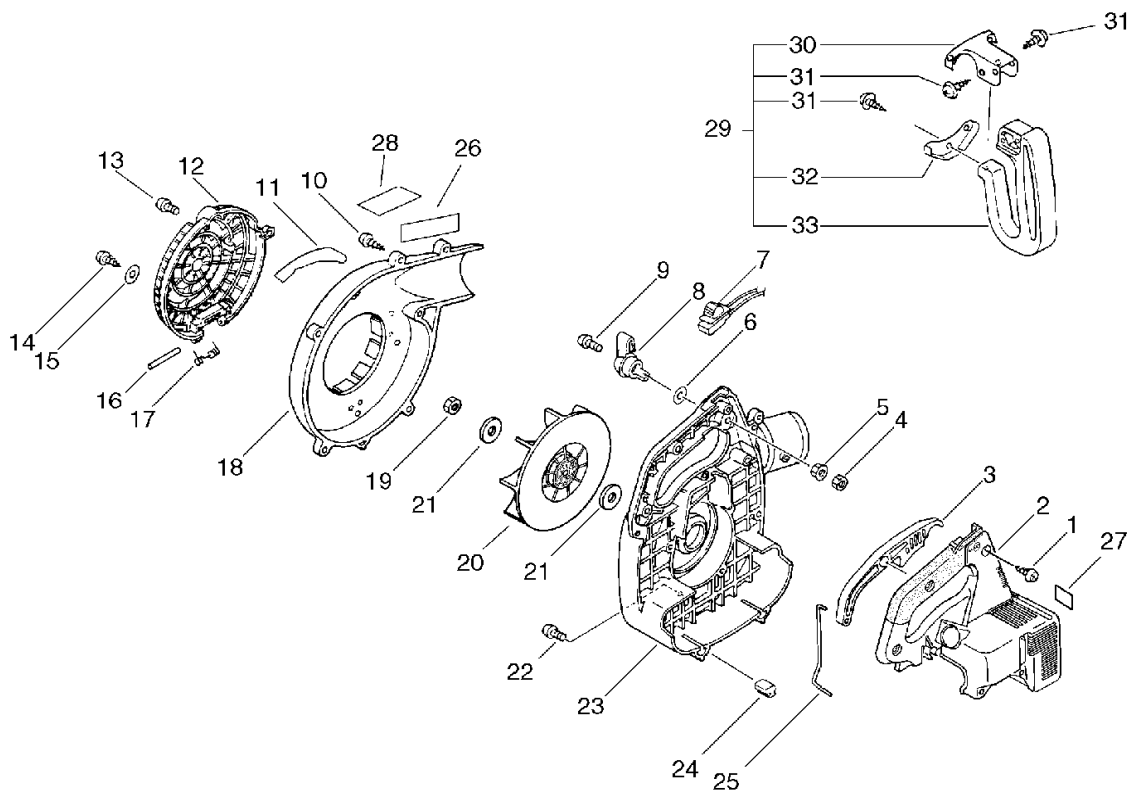
KEY	LV	PART NUMBER	Q'TY	DESCRIPTION	REMARKS	NOTE1	NOTE2
1		A356-000030	1	VALVE,CHECK			
2		131328-40630	1	COVER, VENT			
3		V471-001200	1	PIPE	3*5*70 NBR		
4		V137-000030	1	GROMMET,FUEL			
5		132011-03360	1	CONNECTOR, FUEL PIPE			
6		132012-12361	1	PIPE			
7		131205-07320	1	STRAINER, FUEL			
8		V471-001210	1	PIPE	3*5*90 NBR		
9		132010-56330	1	PIPE 3*6*90	3*6*90 YL		
10		900162-05016	2	BOLT, H.S. 5*16	5*16 W,SW		
11		900603-00005	2	WASHER 5	5.5*12*0.8		
12		131005-20561	1	TANK, FUEL			
13		131004-55530	1	CAP ASSY, FUEL TANK			
14	+	131016-55830	1	GASKET, FUEL CAP			
15	+	131051-56030	1	CLIP, FUEL CAP	100L		

5. FAN CASE



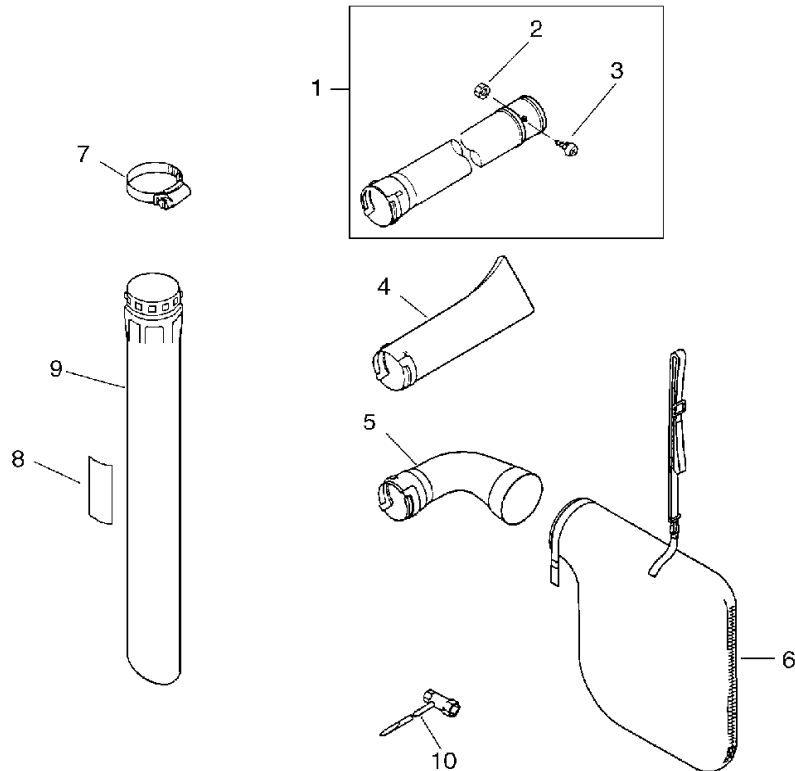
KEY	LV	PART NUMBER	Q'TY	DESCRIPTION	REMARKS	NOTE1	NOTE2
1		900253-05020	5	SCREW 5*20	5*20		
2		A190-000740	1	COVER,ENGINE			
3		178010-21760	1	CONTROL, THROTTLE			
4		900502-00005	1	NUT 5 (3N)	3N5		
5		900516-00005	1	NUT, FRANGE 5	5		
6		900603-00005	1	WASHER 5	5.5*12*0.8		
7		163401-20561	1	SWITCH, IGNITION			
8		178054-21760	1	CONTROL, THROTTLE			
9		900238-05025	1	SCREW 5*25	5*25		
10		900253-05020	6	SCREW 5*20	5*20		
11		X503-009150	1	LABEL,MODEL	PB-2350		
12		200124-20661	1	GRID, FAN CASE			
13		V203-000060	1	BOLT,5			
14		900253-05014	1	SCREW 5*14	5*14		
15		900603-00005	1	WASHER 5	5.5*12*0.8		
16		200150-05060	1	SHAFT, GRID			
17		200152-05060	1	SPRING, GRID			
18		E103-000570	1	CASE,FAN	FAN SIDE		
19		900500-00008	1	NUT 8	8*P1.25		
20		200010-06363	1	FAN			
21		100132-05660	2	WASHER	8.2*30*3.0		
22		900162-04022	4	BOLT, H.S. 4*22	4*22 W,SW		
23		E103-000580	1	CASE,FAN	ES ENGINE SIDE		
24		351335-20560	2	CUSHION			
25		178011-20561	1	ROD, THROTTLE			

5. FAN CASE



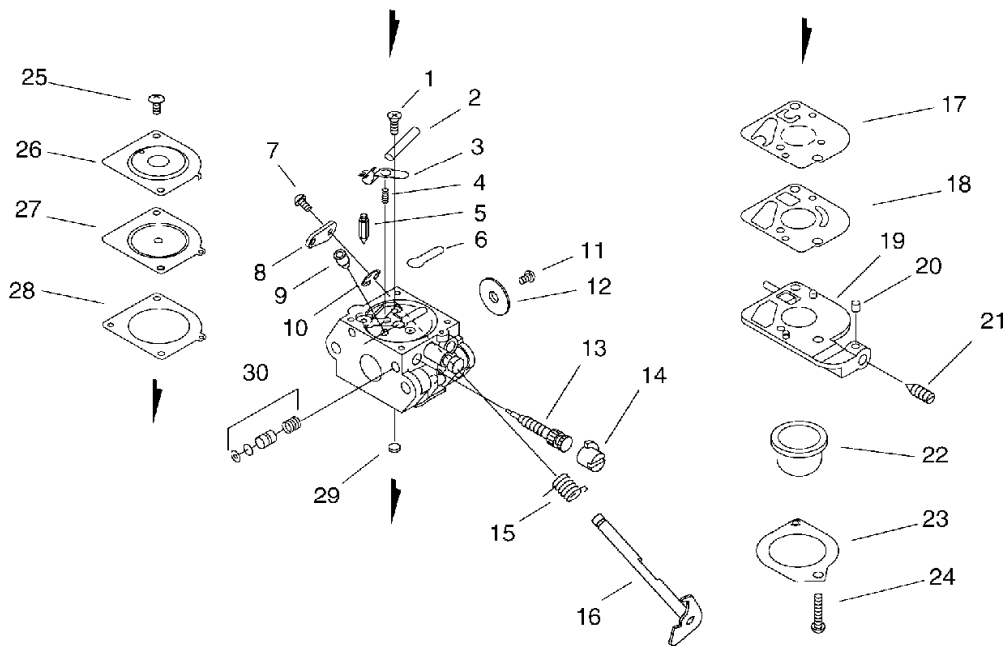
KEY	LV	PART NUMBER	Q'TY	DESCRIPTION	REMARKS	NOTE1	NOTE2
26		890160-09461	1	LABEL, CAUTION			
27		X505-002310	1	LABEL, CAUTION	HOT CAUTION		
28		X505-001010	1	LABEL, CAUTION			
30	+	351011-05060	1	SUPPORTER HANDLE			
31	+	900253-05016	3	SCREW	5*16		
32	+	351028-05060	1	SUPPORTER, HANDLE			
33	+	351010-05060	1	HANDLE (BL)			

6. PIPE



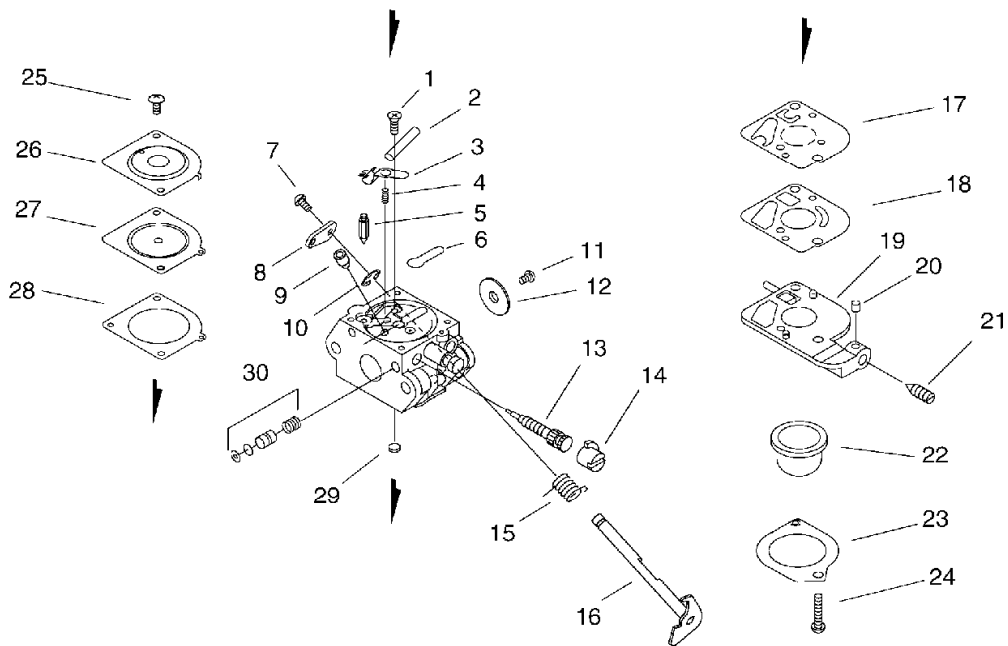
KEY	LV	PART NUMBER	Q'TY	DESCRIPTION	REMARKS	NOTE1	NOTE2
1		210007-20660	1	PIPE,BLOWER			
2	+	900500-00005	1	NUT 5	5		
3	+	900238-05010	1	SCREW 5*10	5*10		
4		210014-20661	1	PIPE, STRAIGHT			
5		215012-20110	1	PIPE,MAIN			
6		X692-000022	1	BAG,DUST	ECHO BAG - BLACK		
7		210413-05060	1	CLAMP, FLEXIBLE PIPE			
8		890118-04262	2	LABEL, ECHO	194*44		
9		E180-000000	1	PIPE,SUCTION	115MM D. X 888MM		
10		895410-06960	1	WRENCH, W/S-DRIVER			

7. CARBURETOR



KEY	LV	PART NUMBER	Q'TY	DESCRIPTION	REMARKS	NOTE1	NOTE2
		A021-000940	1	CARBURETOR,DIAPHRAGM	C1U-K78		
1	+	125339-42030	1	SCREW			
2	+	125338-13930	1	PIN, METERING ARM			
3	+	125323-42030	1	LEVER, METERING			
4	+	P005-000940	1	SPRING, METER. LEVER			
5	+	125337-06960	1	VALVE, INLET NEEDLE			
6	+	125345-15130	1	PLUG, WELCH			
7	+	125348-13930	1	SCREW			
8	+	125350-20560	1	LEVER, THROTTLE			
9	+	125376-13120	1	NOZZLE, CHECK VALVE			
10	+	125327-13930	1	CLIP			
11	+	125314-13930	1	SCREW	3*4		
12	+	125316-49030	1	VALVE, THROTTLE			
13	+	P005-000400	1	NEEDLE, HIGH SPEED			
14	+	125329-08560	1	LIMITER, MIXTURE			
15	+	125313-42030	1	SPRING, THRT. RETURN			
16	+	P005-001770	1	SHAFT ASY, THROTTLE			
17	+	125312-12820	1	DIAPHRAGM, FUEL PUMP			
18	+	125325-13310	1	GASKET, PUMP			
19	+	P005-000990	1	BASE, PRIMER			
20	+	125378-13930	1	PIECE, FRICTION			
21	+	125334-06860	1	SCREW, IDLE ADJUST			
22	+	125381-08660	1	PUMP, PRIMING			
23	+	125363-11610	1	RING			
24	+	125310-11610	2	SCREW			
25	+	125344-52130	2	SCREW			

7. CARBURETOR



KEY	LV	PART NUMBER	Q'TY	DESCRIPTION	REMARKS	NOTE1	NOTE2
26	+	125342-13210	1	COVER, DIAPHRAGM			
27	+	P005-001780	1	DIAPHRAGM			
28	+	P005-000200	1	GASKET, METERING			
29	+	125326-42030	1	STRAINER			
30	+	P005-002020	1	PUMP KIT, ACC			

8. REPAIR KIT

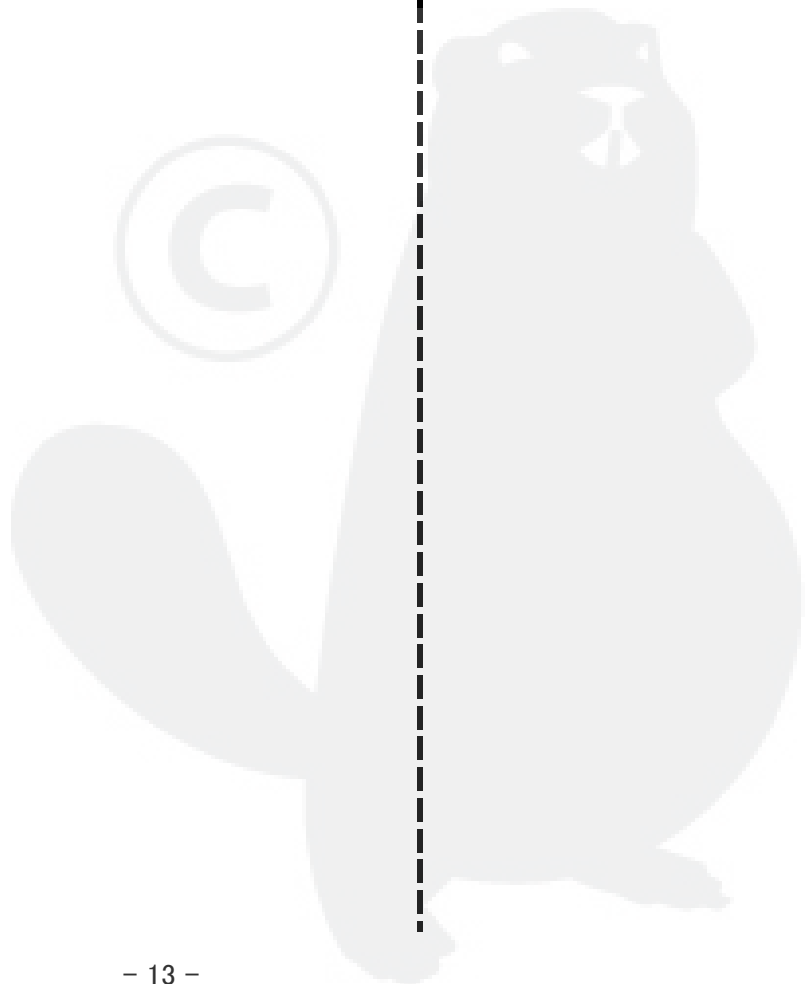
KEY	LV	PART NUMBER	Q'TY	DESCRIPTION	REMARKS	NOTE1	NOTE2
		P005-001790	1	DIAPHRAGM/GASKET KIT			
7-17	+	125312-12820	1	DIAPHRAGM, FUEL PUMP			
7-18	+	125325-13310	1	GASKET, PUMP			
7-27	+	P005-001780	1	DIAPHRAGM			
7-28	+	P005-000200	1	GASKET, METERING			
		P005-001800	1	REBUILD KIT			
7-5	+	125337-06960	1	VALVE, INLET NEEDLE			
7-4	+	P005-000940	1	SPRING, METER. LEVER			
7-3	+	125323-42030	1	LEVER, METERING			
7-2	+	125338-13930	1	PIN, METERING ARM			
7-29	+	125326-42030	1	STRAINER			
7-6	+	125345-15130	1	PLUG, WELCH			
	+	P005-001790	1	DIAPHRAGM/GASKET KIT			

Index

Patrs Number	Key No.	Patrs Number	Key No.	Patrs Number	Key No.
100013-11520	1 - 6	131016-55830	4 - 14	900253-05020	5 - 10
100014-11520	1 - 8	131051-56030	4 - 15	900500-00005	3 - 3
100015-04630	1 - 7	131205-07320	4 - 7	900500-00005	6 - 2
100132-05660	5 - 21	131328-40630	4 - 2	900500-00008	5 - 19
100204-52132	1 - 11	132010-56330	4 - 9	900502-00005	5 - 4
100212-42031	1 - 12	132011-03360	4 - 5	900516-00005	5 - 5
100215-03930	1 - 13	132012-12361	4 - 6	900595-00008	2 - 14
100242-42030	1 - 15	145862-40630	3 - 27	900603-00005	4 - 11
101514-20560	3 - 1	159011-03432	2 - 21	900603-00005	5 - 6
125310-11610	7 - 24	159012-01620	2 - 22	900603-00005	5 - 15
125312-12820	7 - 17	162021-20560	2 - 29	91367-04010	3 - 31
125312-12820	8 - 7-17	163401-20561	5 - 7	94035-36201	1 - 14
125313-42030	7 - 15	177200-42033	2 - 3	A011-000150	1 - 9
125314-13930	7 - 11	178010-21760	5 - 3	A021-000940	3 - 7
125316-49030	7 - 12	178011-20561	5 - 25	A021-000940	7 -
125323-42030	7 - 3	178054-21760	5 - 8	A052-000061	2 - 11
125323-42030	8 - 7-3	200010-06363	5 - 20	A101-000090	1 - 5
125325-13310	7 - 18	200011-05661	2 - 26	A130-000550	1 - 1
125325-13310	8 - 7-18	200124-20661	5 - 12	A190-000740	5 - 2
125326-42030	7 - 29	200150-05060	5 - 16	A226-001410	3 - 18
125326-42030	8 - 7-29	200152-05060	5 - 17	A313-000590	3 - 29
125327-13930	7 - 10	210007-20660	6 - 1	A313-000630	3 - 30
125329-08560	7 - 14	210014-20661	6 - 4	A356-000030	4 - 1
125334-06860	7 - 21	210413-05060	6 - 7	A409-000210	2 - 27
125337-06960	7 - 5	210417-52730	3 - 20	A411-000130	2 - 24
125337-06960	8 - 7-5	215012-20110	6 - 5	A425-000000	2 - 20
125338-13930	7 - 2	351010-05060	5 - 33	E103-000570	5 - 18
125338-13930	8 - 7-2	351011-05060	5 - 30	E103-000580	5 - 23
125339-42030	7 - 1	351028-05060	5 - 32	E180-000000	6 - 9
125342-13210	7 - 26	351335-20560	5 - 24	P005-000200	7 - 28
125344-52130	7 - 25	890118-04262	6 - 8	P005-000200	8 - 7-28
125345-15130	7 - 6	890121-05360	3 - 21	P005-000400	7 - 13
125345-15130	8 - 7-6	890160-09461	5 - 26	P005-000940	7 - 4
125348-13930	7 - 7	890560-90660	3 - 8	P005-000940	8 - 7-4
125350-20560	7 - 8	895410-06960	6 - 10	P005-000990	7 - 19
125363-11610	7 - 23	900105-05055	3 - 25	P005-001770	7 - 16
125376-13120	7 - 9	900162-04020	2 - 25	P005-001780	7 - 27
125378-13930	7 - 20	900162-04022	5 - 22	P005-001780	8 - 7-27
125381-08660	7 - 22	900162-05016	4 - 10	P005-001790	8 -
129011-52730	3 - 17	900162-05022	1 - 2	P005-001790	8 -
130010-09561	3 - 2	900162-05028	1 - 16	P005-001800	8 -
130010-20560	3 - 6	900163-04016	2 - 2	P005-002020	7 - 30
130017-05062	3 - 4	900238-05010	6 - 3	P021-007712	1 - 4
130307-06960	3 - 15	900238-05022	3 - 5	P021-036080	3 - 26
130310-54130	3 - 18	900238-05025	5 - 9	P021-036081	3 - 26
130313-05863	3 - 19	900242-05065	3 - 16	V100-000160	1 - 3
130313-05863	3 - 19	900253-05014	5 - 14	V104-000360	3 - 28
131004-55530	4 - 13	900253-05016	5 - 31	V104-000631	3 - 22
131005-20561	4 - 12	900253-05020	5 - 1	V104-001760	3 - 28

Index

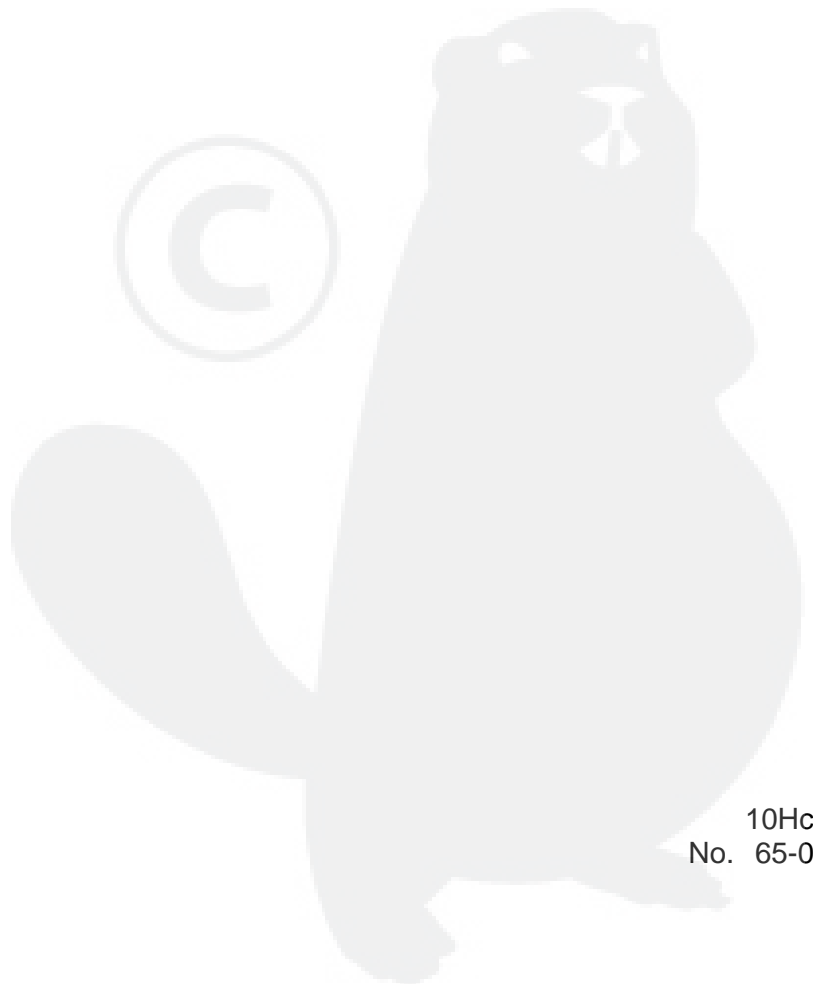
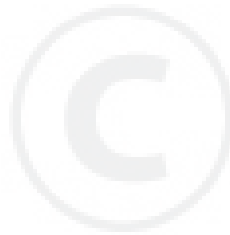
Patrs Number	Key No.	Patrs Number	Key No.	Patrs Number	Key No.
V137-000030	4 - 4				
V150-000371	3 - 23				
V203-000060	5 - 13				
V347-000000	3 - 24				
V471-000660	2 - 23				
V471-001200	4 - 3				
V471-001210	4 - 8				
V485-000040	2 - 30				
V553-000060	1 - 10				
X502-000330	2 - 1				
X503-009150	5 - 11				
X505-001010	5 - 28				
X505-002310	5 - 27				
X692-000022	6 - 6				



YAMABIKO CORPORATION

7-2 SUEHIROCHO 1-CHOME, OHME, TOKYO 198-8760, JAPAN
PHONE: 81-428-32-6118. FAX: 81-428-32-6145.

ECHO[®]



10Hc
No. 65-008