



PARTS CATALOG

BACKPACK BLOWER

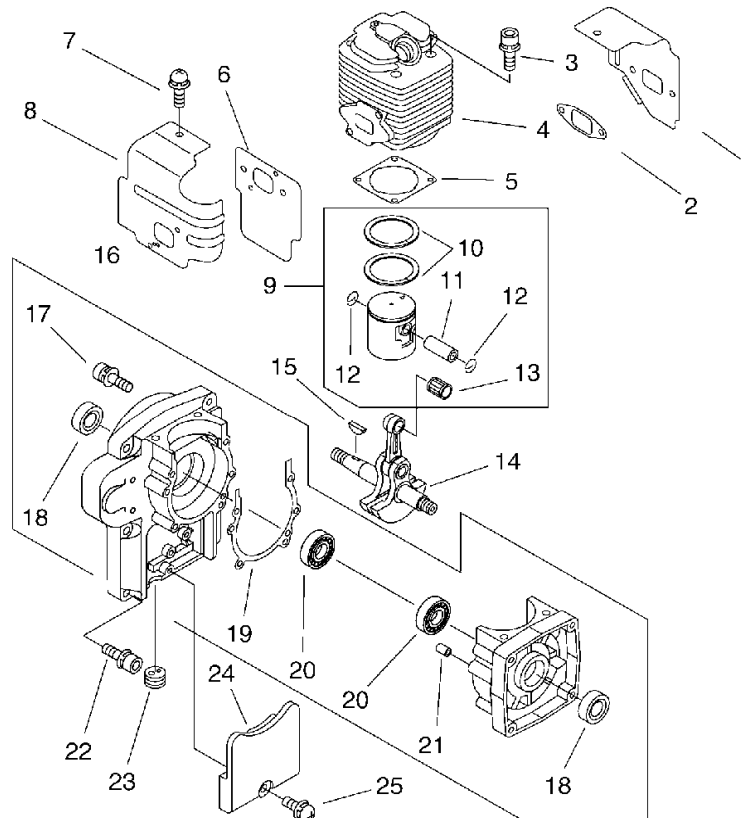
PB-620(36)



- 36009422

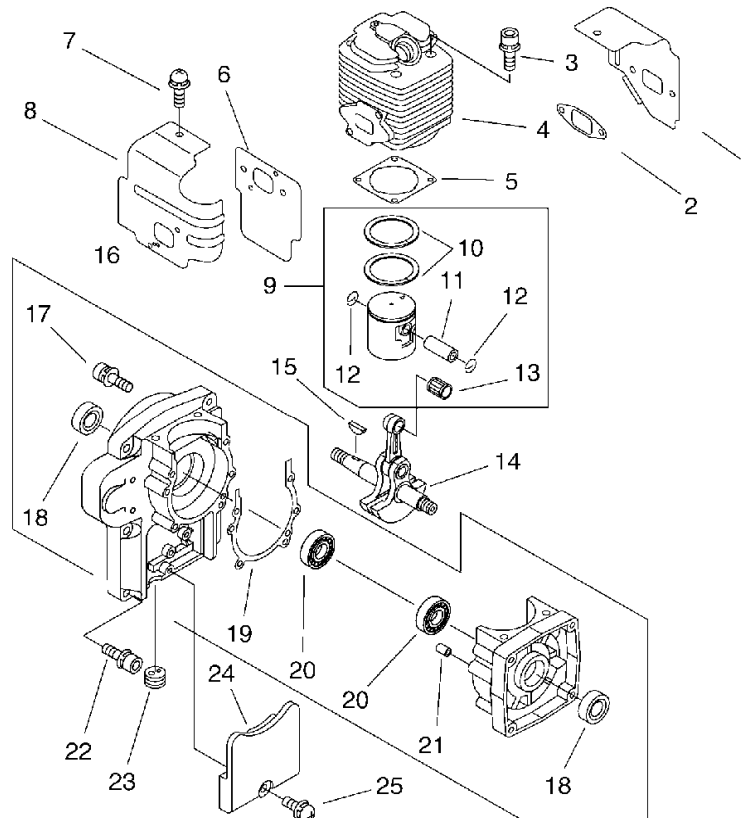
PB-620(36)

1. Cylinder, Crankcase, Piston(Sr/Nr 36004850 and before)



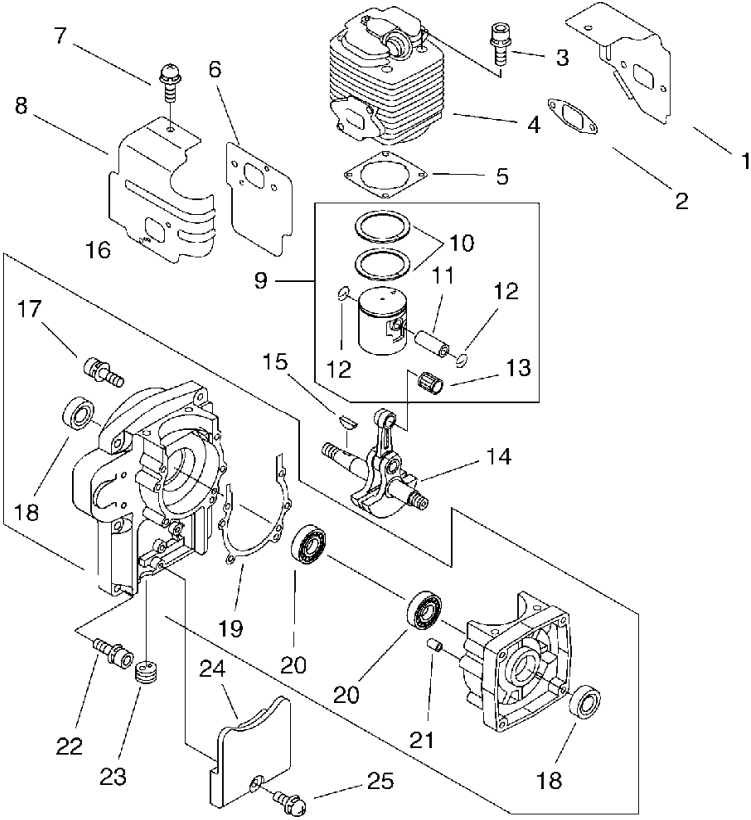
KEY	LV	PART NUMBER	Q'TY	DESCRIPTION	REMARKS	NOTE1	NOTE2
1		A160-000450	1	COVER,CYLINDER			
2		145510-06211	1	GASKET, MUFFLER			
3		900162-05022	4	BOLT, H.S. 5*22	5*22 W,SW		
4		A130-000570	1	CYLINDER			
5		101010-06211	1	GASKET, CYL. BASE			
6		130016-06211	1	GASKET, INTAKE			
7		900238-05010	1	SCREW 5*10	5*10		
8		101514-08260	1	COVER, CYLINDER			
9		P021-007450	1	PISTON KIT			
10	+	100011-08360	2	RING, PISTON			
11	+	100013-06210	1	PIN, PISTON			
12	+	100015-00120	2	CIRCLIP, PISTON PIN			
13	+	100012-12331	1	BEARING, NEEDLE			
14		A011-000340	1	CRANKSHAFT,ASM			
15		900323-03014	1	KEY WOODRUFF	3*14		
16		100204-08261	1	CRANKCASE KIT			
17	+	900162-05040	4	BOLT, H.S. 5*40	5*40 W,SW		
18	+	100213-00310	2	OILSEAL	ISCD 15 25 7		
19	+	100242-10721	1	GASKET, CRANKCASE			
20	+	900810-36202	2	BEARING, BALL 6202	6202/C3	Sus. by 94036-46202	
21	+	100215-03930	2	PIN, DOWEL			
22		900162-05032	6	BOLT, H.S. 5*32	5*32 W,SW		
23		151112-04630	1	BUSHING			
24		159129-08260	1	COVER, DUST			
25		900238-05018	1	SCREW 5*18	5*18		

2. Cylinder, Crankcase, Piston(Sr/Nr 36004851 and after)



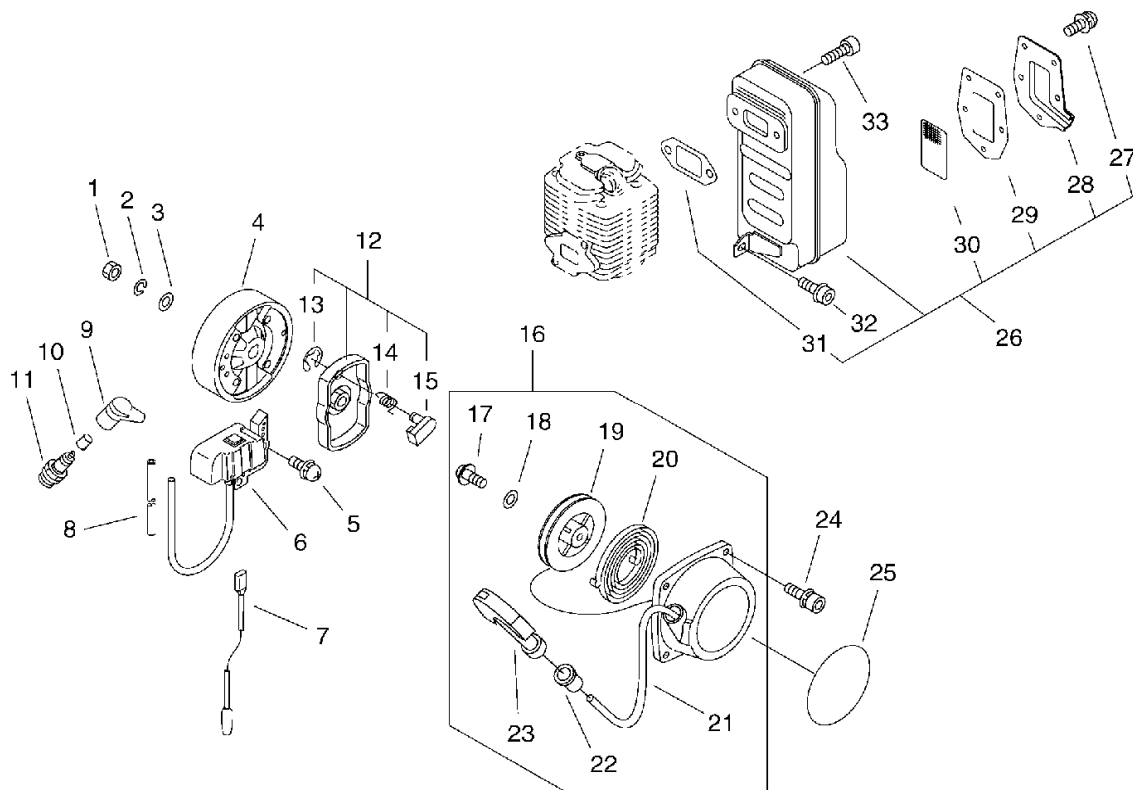
KEY	LV	PART NUMBER	Q'TY	DESCRIPTION	REMARKS	NOTE1	NOTE2
1		A160-000450	1	COVER,CYLINDER			
2		145510-06211	1	GASKET, MUFFLER			
3		900162-05022	4	BOLT, H.S. 5*22	5*22 W,SW		
4		A130-000570	1	CYLINDER			
5		101010-06211	1	GASKET, CYL. BASE			
6		130016-06211	1	GASKET, INTAKE			
7		900238-05010	1	SCREW 5*10	5*10		
8		101514-08260	1	COVER, CYLINDER			
9		P021-007450	1	PISTON KIT			
10	+	100011-08360	2	RING, PISTON			
11	+	100013-06210	1	PIN, PISTON			
12	+	100015-00120	2	CIRCLIP, PISTON PIN			
13	+	100012-12331	1	BEARING, NEEDLE			
14		A011-000340	1	CRANKSHAFT,ASM			
15		900323-03014	1	KEY WOODRUFF	3*14		
16		100204-08261	1	CRANKCASE KIT			
17	+	900162-05040	4	BOLT, H.S. 5*40	5*40 W,SW		
18	+	100213-00310	2	OILSEAL	ISCD 15 25 7		
19	+	100242-10721	1	GASKET, CRANKCASE			
20	+	900810-36202	2	BEARING, BALL 6202	6202/C3	Sus. by 94036-46202	
20	+	94036-46202	2	BEARING BALL			
21	+	100215-03930	2	PIN, DOWEL			
22		900162-05032	6	BOLT, H.S. 5*32	5*32 W,SW		
23		151112-04630	1	BUSHING			
24		159129-08260	1	COVER, DUST			

2. Cylinder, Crankcase, Piston(Sr/Nr 36004851 and after)



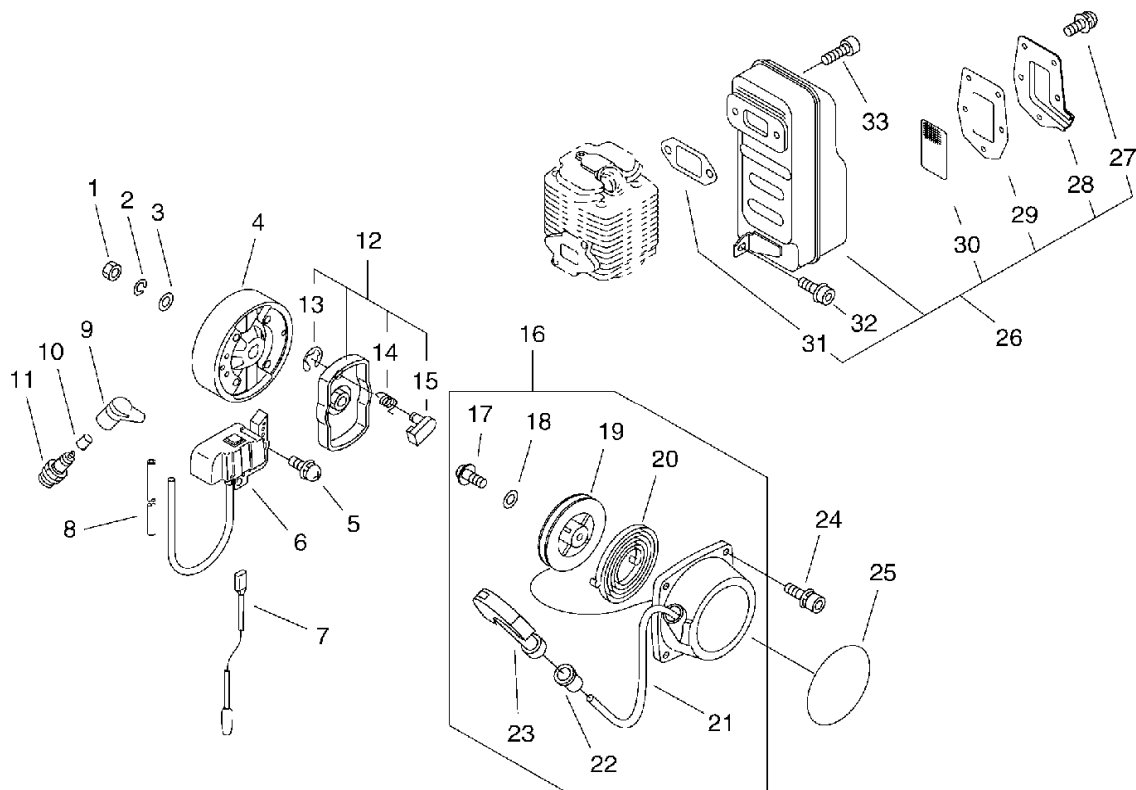
KEY	LV	PART NUMBER	Q'TY	DESCRIPTION	REMARKS	NOTE1	NOTE2
25		900238-05018	1	SCREW 5*18	5*18		

3. Starter, Magneto, Muffler(Sr/Nr 36004850 and before)



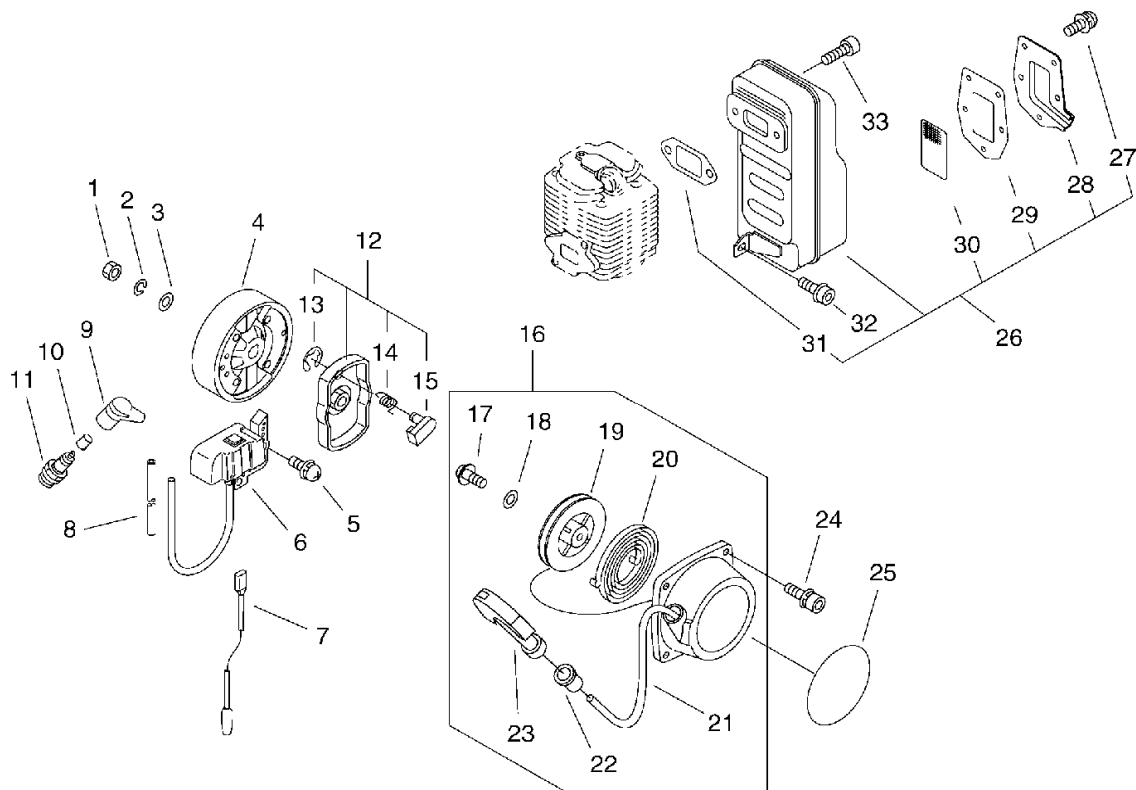
KEY	LV	PART NUMBER	Q'TY	DESCRIPTION	REMARKS	NOTE1	NOTE2
1		900501-00010	1	NUT 10*1.25	10*P1.25		
2		900605-00010	1	WASHER, SPRING 10	10		
3		900602-00010	1	WASHER 10(10.5*21*2)	10.5*21*2		
4		156800-06161	1	ROTOR, MAGNETO			
5		900238-05018	2	SCREW 5*18	5*18		
6		156601-09861	1	C.D.I. MODULE W/LEAD			
7		V485-000190	1	LEAD			
8		156111-06160	1	TUBE 6.3*8*380	6.3*8*380		
9		159012-10230	1	CAP, SPARK PLUG			
10		159016-05330	1	ADAPTER, PLUG CAP			
11		159010-10230	1	PLUG, SPARK (BPMR-7A	BPMR-7A		
12		A052-000042	1	PULLEY,ASM STARTER			
13	+	P022-002100	2	E-RING	4		
14	+	P022-003130	2	SPRING, RETURN			
15	+	P022-003120	2	PAWL, STARTER			
16		A051-000930	1	STARTER,RECOIL			
17	+	177236-06910	1	SCREW			
18	+	177214-40630	1	WASHER			
19	+	P022-005910	1	DRUM, STARTER			
20	+	P022-004680	1	SPRING, SPIRAL			
21	+	P022-010580	1	ROPE, STARTER			
22	+	177227-42030	1	GUIDE, ROPE			
23	+	177228-01110	1	GRIP, STARTER			
24		900163-04018	4	BOLT HSH			
25		890118-17930	1	LABEL, ECHO		Sus. by X502-000460	

3. Starter, Magneto, Muffler(Sr/Nr 36004850 and before)



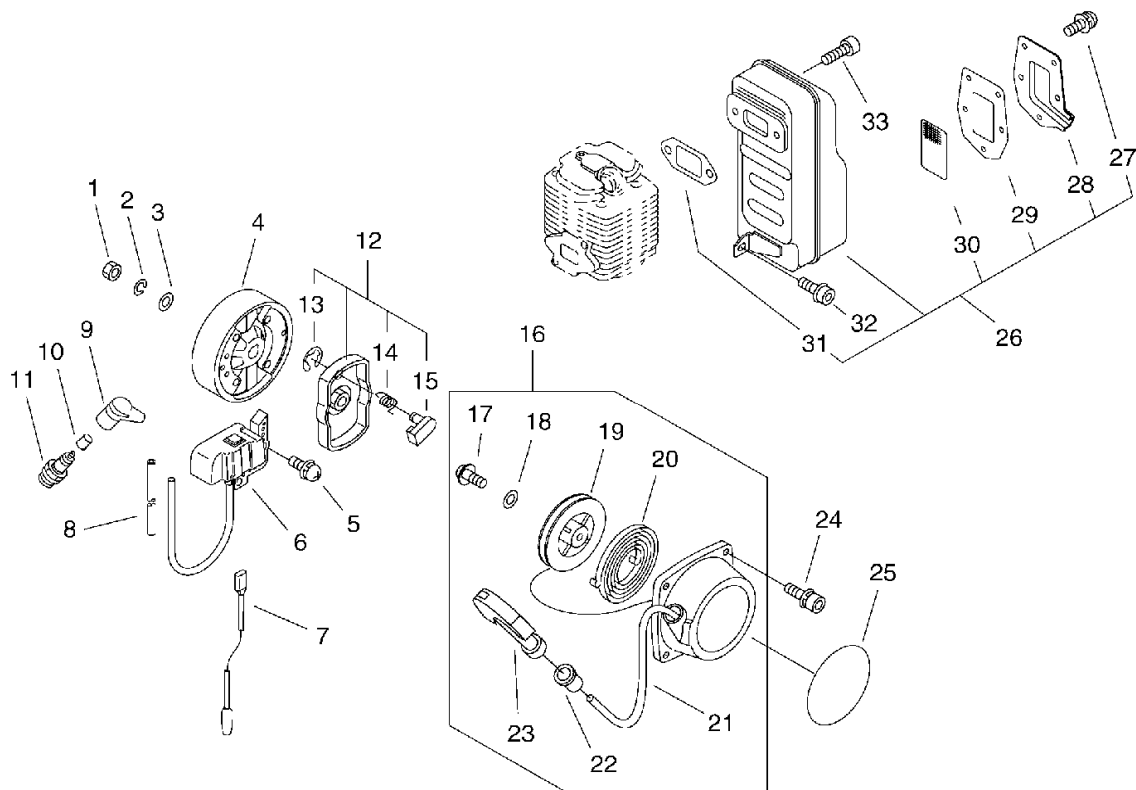
KEY	LV	PART NUMBER	Q'TY	DESCRIPTION	REMARKS	NOTE1	NOTE2
26		P021-001833	1	MUFFLER ASY			
27	+	900238-04010	5	SCREW 4*10	4*10		
28	+	A313-000240	1	GUIDE_EXH	ID.NO.5100		
29	+	145866-04261	1	GASKET			
30	+	145862-06720	1	SCREEN, MUFFLER			
31	+	145510-06211	1	GASKET, MUFFLER			
32		900106-05020	1	BOLT, H.S. 5*20	5*20		
33		900105-06020	2	BOLT, H.S. 6*20	6*20		

4. Starter, Magneto, Muffler(Sr/Nr 36004851 and after)



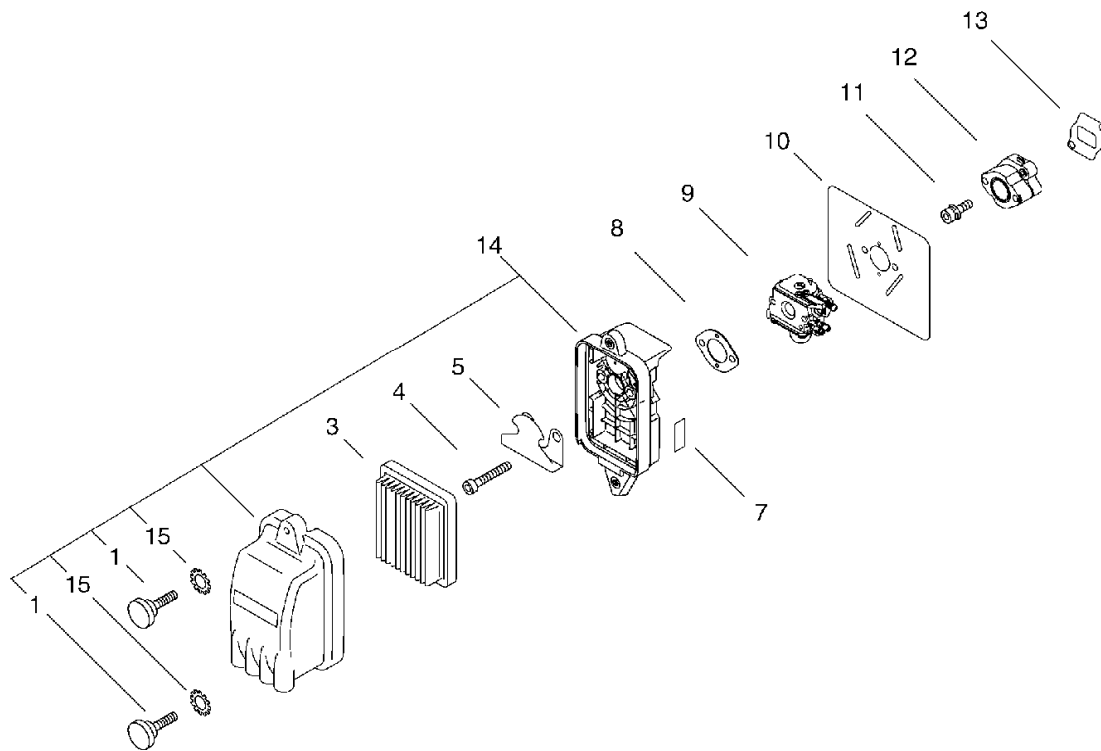
KEY	LV	PART NUMBER	Q'TY	DESCRIPTION	REMARKS	NOTE1	NOTE2
1		900501-00010	1	NUT 10*1.25	10*P1.25		
2		900605-00010	1	WASHER, SPRING 10	10		
3		900602-00010	1	WASHER 10(10.5*21*2)	10.5*21*2		
4		156800-06161	1	ROTOR, MAGNETO			
5		900238-05018	2	SCREW 5*18	5*18		
6		156601-09861	1	C.D.I. MODULE W/LEAD			
7		V485-000190	1	LEAD			
8		156111-06160	1	TUBE 6.3*8*380	6.3*8*380		
9		159012-10230	1	CAP, SPARK PLUG			
10		159016-05330	1	ADAPTER, PLUG CAP			
11		159010-10230	1	PLUG, SPARK (BPMR-7A	BPMR-7A		
12		A052-000042	1	PULLEY,ASM STARTER			
13	+	P022-002100	2	E-RING	4		
14	+	P022-003130	2	SPRING, RETURN			
15	+	P022-003120	2	PAWL, STARTER			
16		A051-000930	1	STARTER,RECOIL			
17	+	177236-06910	1	SCREW			
18	+	177214-40630	1	WASHER			
19	+	P022-005910	1	DRUM, STARTER			
20	+	P022-004680	1	SPRING, SPIRAL			
21	+	P022-010580	1	ROPE, STARTER			
22	+	177227-42030	1	GUIDE, ROPE			
23	+	177228-01110	1	GRIP, STARTER			
24		900163-04018	4	BOLT HSH			
25		890118-17930	1	LABEL, ECHO		Sus. by X502-000460	

4. Starter, Magneto, Muffler(Sr/Nr 36004851 and after)



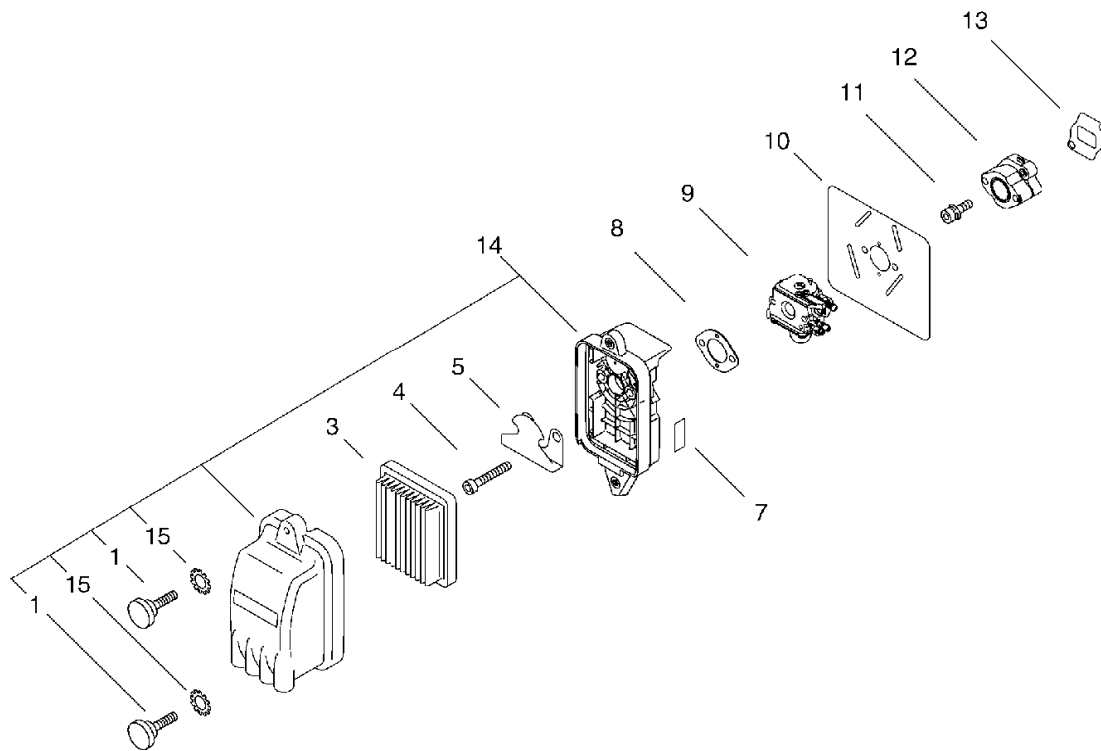
KEY	LV	PART NUMBER	Q'TY	DESCRIPTION	REMARKS	NOTE1	NOTE2
25		X502-000460	1	LABEL,ECHO			
26		P021-001833	1	MUFFLER ASY			
27	+	900238-04010	5	SCREW 4*10	4*10		
28	+	A313-000240	1	GUIDE,EXH	ID.NO.5100		
29	+	145866-04261	1	GASKET			
30	+	145862-06720	1	SCREEN, MUFFLER			
31	+	145510-06211	1	GASKET, MUFFLER			
32		900106-05020	1	BOLT, H.S. 5*20	5*20		
33		900105-06020	2	BOLT, H.S. 6*20	6*20		

5. Air Cleaner(Sr/Nr 36006202 and befor)



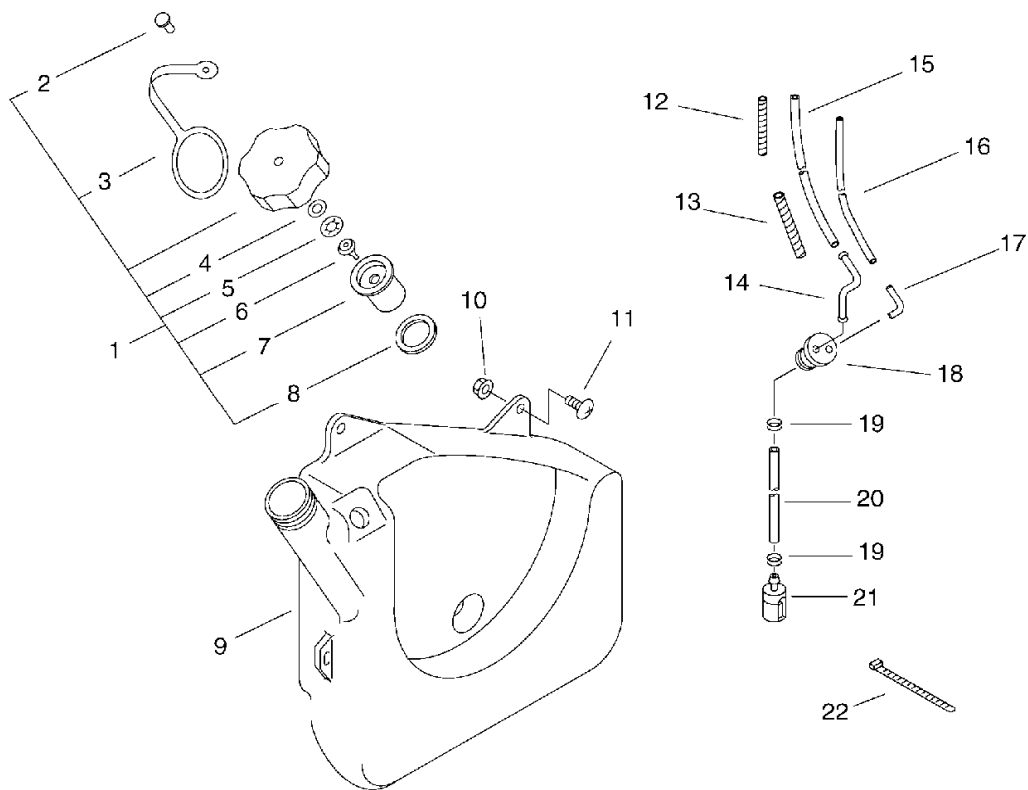
KEY	LV	PART NUMBER	Q'TY	DESCRIPTION	REMARKS	NOTE1	NOTE2
1		V299-000290	1	NOB,FASTENER	1 NOB M5X0.8	Qty 1-> 2	
2		A232-000080	1	LID,CLEANER		Sr/Nr 36002602 and before, Sus. by P021-014431	
3		A226-000032	1	ELEMENT,AIR FILTER			
4		900105-05060	2	BOLT, H.S. 5*60	5*60		
5		A244-000020	1	PLATE,PREVENT			
6		P021-002521	1	CLEANER CASE ASY		Sr/Nr 36002602 and before, Sus. by P021-014431	
7		890158-08261	1	LABEL, CHOKE			
8		130016-03731	1	GASKET, CARBURETOR			
9		A021-000770	1	CARBURETOR,DIAPHRAGM	C1M-K76		
10		130010-21262	1	GASKET, INTAKE			
11		900162-05025	2	BOLT, H.S. 5*25	5*25 W,SW		
12		130007-08261	1	INSULATOR			
13		V103-000000	1	GASKET,INTAKE			

6. Air Cleaner(Sr/Nr 36006203 and after)



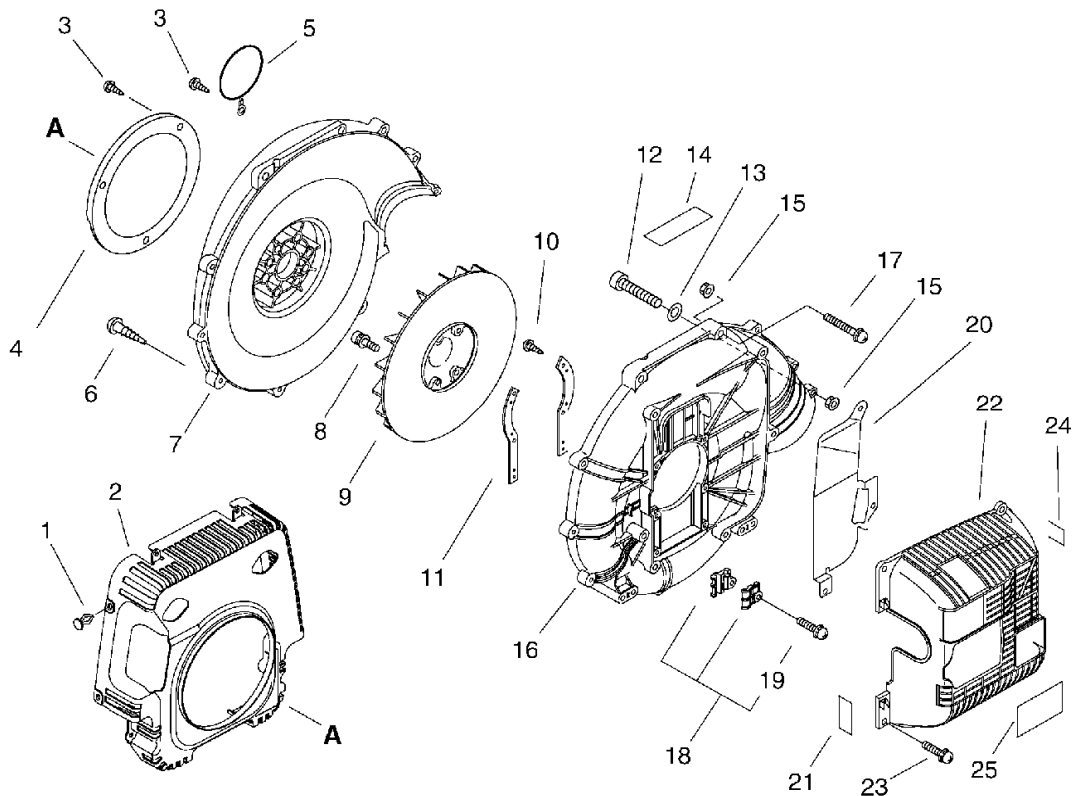
KEY	LV	PART NUMBER	Q'TY	DESCRIPTION	REMARKS	NOTE1	NOTE2
3		A226-000032	1	ELEMENT,AIR FILTER			
4		900105-05060	2	BOLT, H.S. 5*60	5*60		
5		A244-000020	1	PLATE,PREVENT			
7		890158-08261	1	LABEL, CHOKE			
8		130016-03731	1	GASKET, CARBURETOR			
9		A021-000771	1	CARBURETOR,DIAPHRAGM	C1M-K76		
10		130010-21262	1	GASKET, INTAKE			
11		900162-05025	2	BOLT, H.S. 5*25	5*25 W,SW		
12		130007-08261	1	INSULATOR			
13		V103-000000	1	GASKET,INTAKE			
14		P021-014431	1	CLEANER KIT, AIR		Sr/Nr 36006203 and after	
1	+	V299-000290	2	KNOB,FASTENER	1 KNOB M5X0.8		
15	+	V340-000210	2	WASHER	5.6*11.3		

7. Fuel Tank



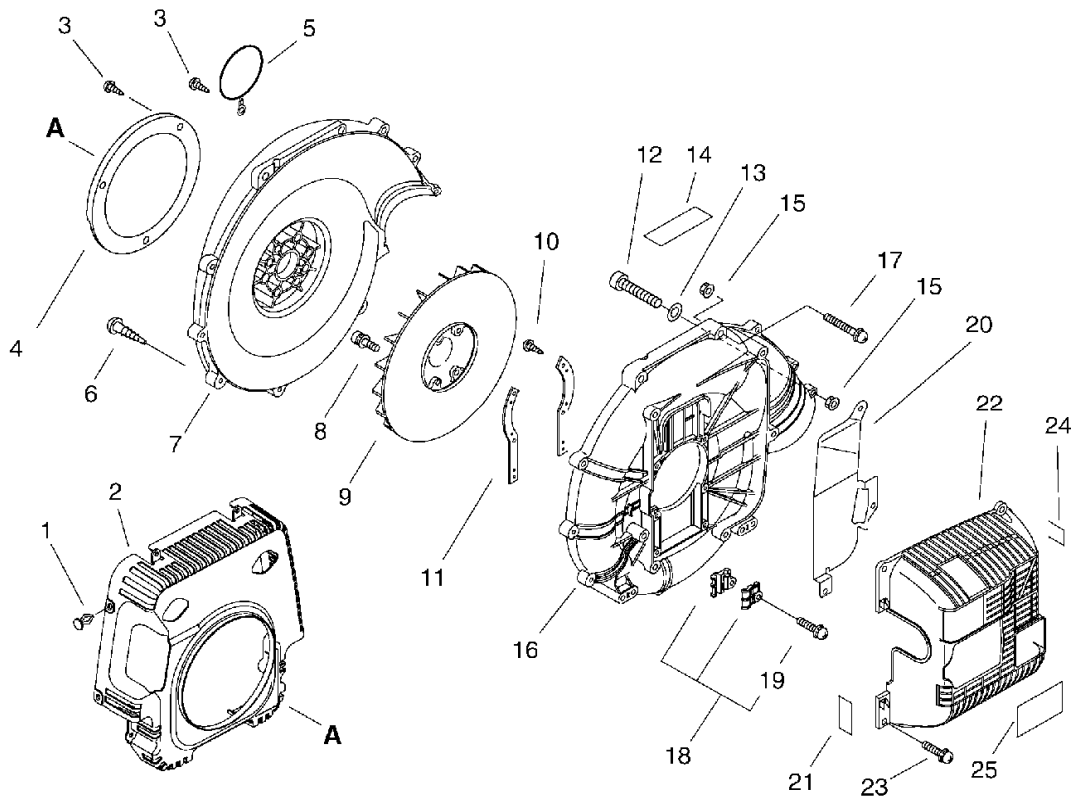
KEY	LV	PART NUMBER	Q'TY	DESCRIPTION	REMARKS	NOTE1	NOTE2
1		131600-09861	1	CAP ASY, FUEL			
2	+	900319-30070	1	RIVET 3*7	3*7		
3	+	131051-27230	1	LINK			
4	+	900600-00003	1	WASHER 3	3		
5	+	131053-03060	1	NUT			
6	+	131314-06320	1	VALVE, CHECK			
7	+	A358-000000	1	HOLDER,CHECK VALVE			
8	+	131016-21060	1	GASKET, FUEL CAP			
9		131010-08266	1	TANK, FUEL			
10		900516-00005	3	NUT, FRANGE 5	5		
11		900209-05020	3	SCREW, 5*20	5*20		
12		178127-03460	1	TUBE			
13		132015-08260	1	COVER, PROTECTIVE			
14		132011-08260	1	CONNECTOR, FUEL PIPE			
15		132010-08260	1	PIPE, FUEL	3*7*520 NBR		
16		132016-08260	1	PIPE, FUEL	2*4*480		
17		132021-08260	1	CONNECTOR, PIPE			
18		132115-02960	1	GROMMET			
19		132013-26630	2	CLIP	6.5MM		
20		V471-000770	1	PIPE			
21		131205-19830	1	STRAINER, FUEL		Sus. by 131205-19831	
22		178121-43230	3	BAND	CV-150 BL		

8. Fan Case(Sr/Nr 36004850 and before)



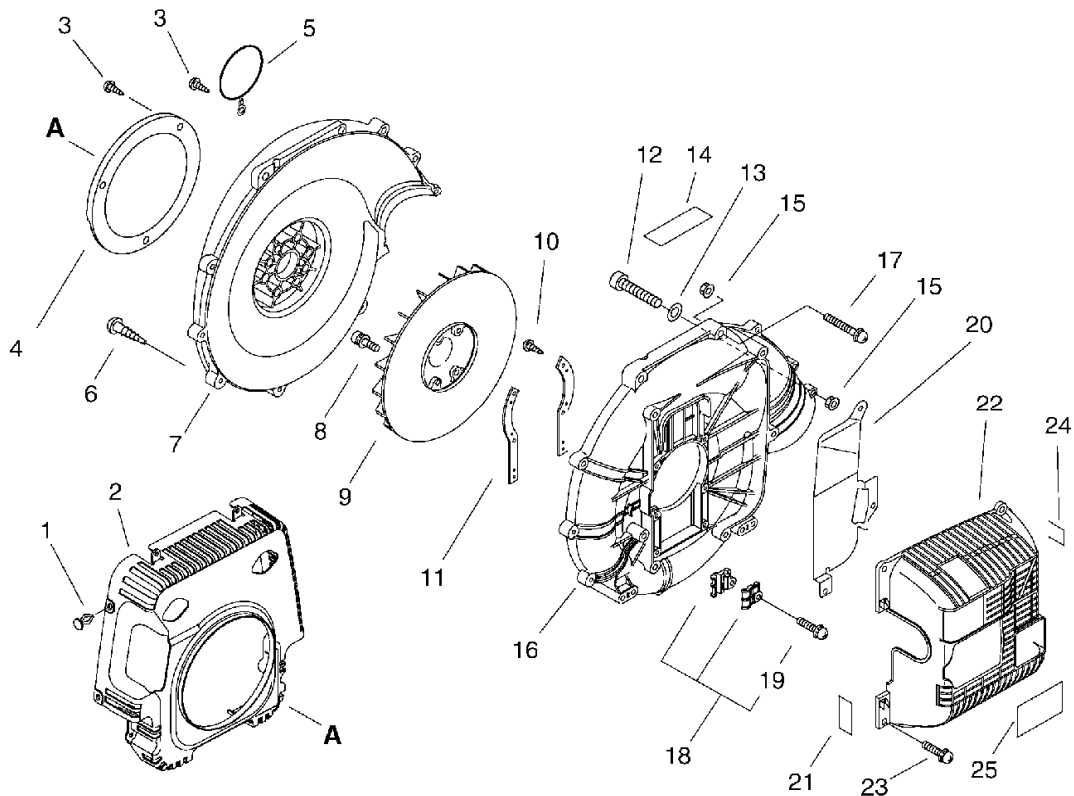
KEY	LV	PART NUMBER	Q'TY	DESCRIPTION	REMARKS	NOTE1	NOTE2
1		V491-000120	8	CLIP			
2		E104-000061	1	GRID,BLOWER			
3		900253-05016	4	SCREW	5*16		
4		A161-000070	1	DUCT, AIR		Sus. by A161-000071	
5		C617-000230	1	STOPPER			
6		900253-05030	7	SCREW 5*30	5*30		
7		200111-08265	1	CASE, FAN			
8		900162-05020	4	BOLT, H.S. 5*20	5*20 W,SW		
9		200005-08261	1	FAN			
10		900246-03012	4	SCREW 3*12	3*12		
11		104913-08360	2	BRACKET, ENGINE			
12		900105-05060	2	BOLT, H.S. 5*60	5*60		
13		900600-00005	2	WASHER 5	5		
14		890160-09461	1	LABEL, CAUTION			
15		900516-00005	4	NUT, FRANGE 5	5		
16		E103-000103	1	CASE,FAN			
17		900238-05040	2	SCREW 5*40	5*40		
18		178101-08260	1	HOLDER KIT, CABLE			
19	+	900238-05025	1	SCREW 5*25	5*25		
20		A322-000000	1	INSULATOR,MUFFLER		Sus. by A322-000060	
21		890560-90660	1	LABEL, PRIMING			
22		A190-000102	1	COVER,ENGINE			
23		900238-05018	5	SCREW 5*18	5*18		

8. Fan Case(Sr/Nr 36004850 and before)



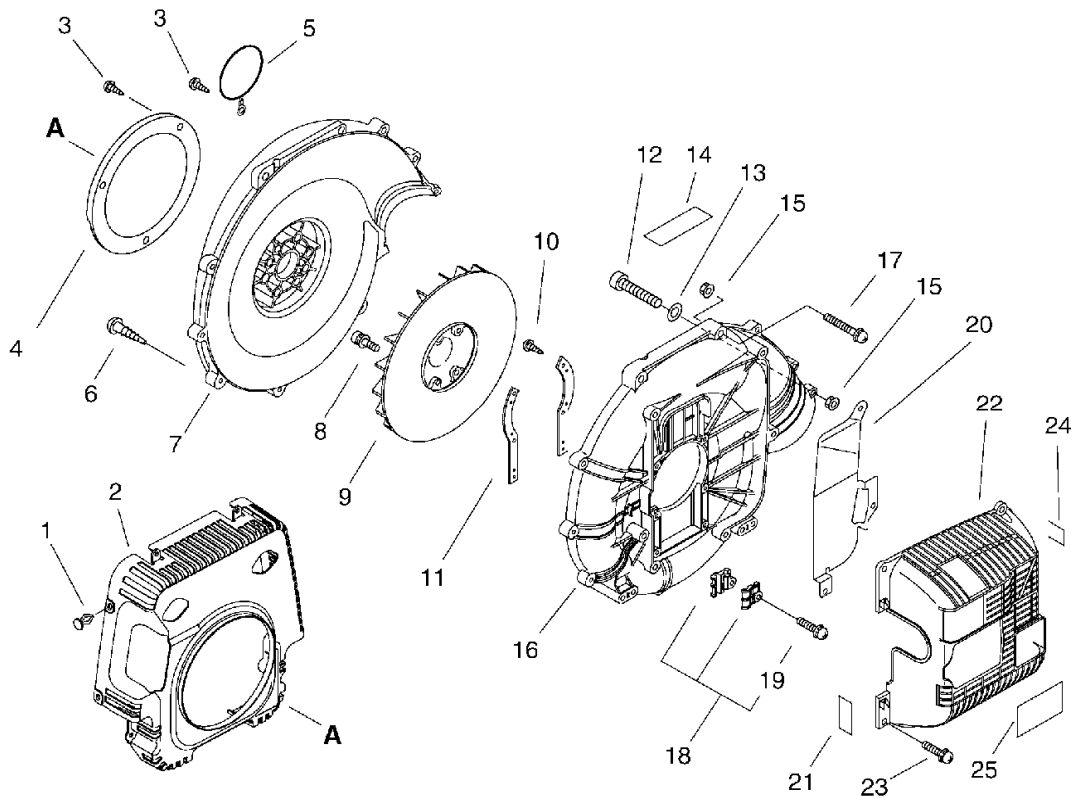
KEY	LV	PART NUMBER	Q'TY	DESCRIPTION	REMARKS	NOTE1	NOTE2
24		890160-06361	1	LABEL, CAUTION		Sus. by X505-002310	
25		X503-007370	1	LABEL,MODEL	PB-620 EU	Sus. by X503-007371	

9. Fan Case(Sr/Nr 36004851 and after)



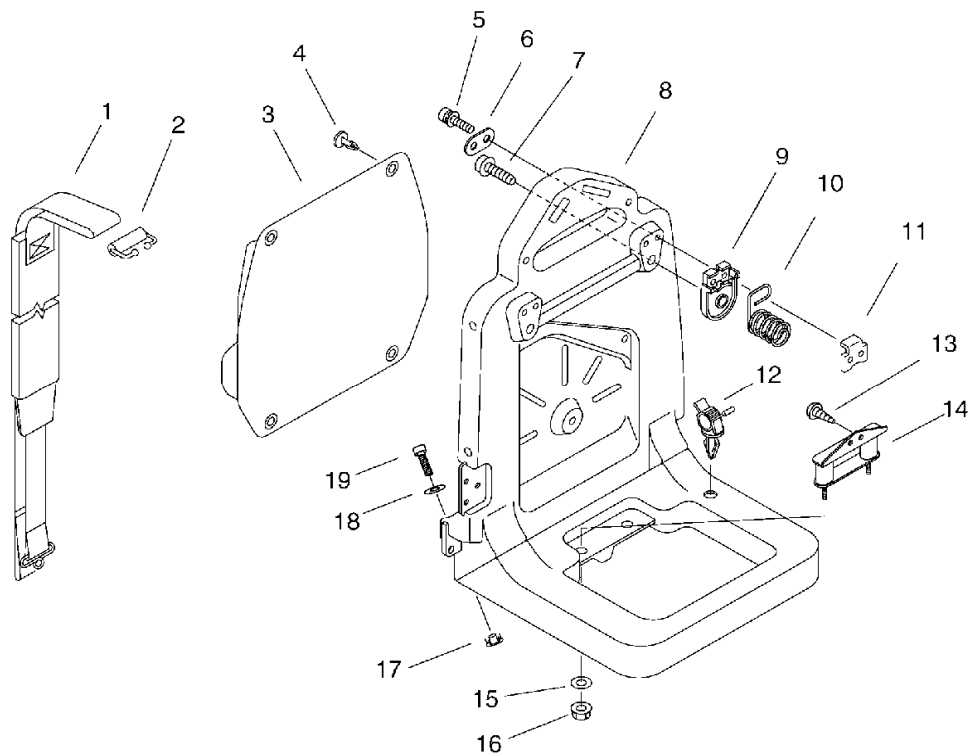
KEY	LV	PART NUMBER	Q'TY	DESCRIPTION	REMARKS	NOTE1	NOTE2
1		V491-000120	8	CLIP			
2		E104-000061	1	GRID,BLOWER			
3		900253-05016	4	SCREW	5*16		
4		A161-000070	1	DUCT, AIR		Sus. by A161-000071	
5		C617-000230	1	STOPPER			
6		900253-05030	7	SCREW 5*30	5*30		
7		200111-08265	1	CASE, FAN			
8		900162-05020	4	BOLT, H.S. 5*20	5*20 W,SW		
9		200005-08261	1	FAN			
10		900246-03012	4	SCREW 3*12	3*12		
11		104913-08360	2	BRACKET, ENGINE			
12		900105-05060	2	BOLT, H.S. 5*60	5*60		
13		900600-00005	2	WASHER 5	5		
14		890160-09461	1	LABEL, CAUTION			
15		900516-00005	4	NUT, FRANGE 5	5		
16		E103-000103	1	CASE,FAN			
17		900238-05040	2	SCREW 5*40	5*40		
18		178101-08260	1	HOLDER KIT, CABLE			
19	+	900238-05025	1	SCREW 5*25	5*25		
20		A322-000000	1	INSULATOR,MUFFLER		Sus. by A322-000060	
21		890560-90660	1	LABEL, PRIMING			
22		A190-000102	1	COVER,ENGINE			
23		900238-05018	5	SCREW 5*18	5*18		

9. Fan Case(Sr/Nr 36004851 and after)



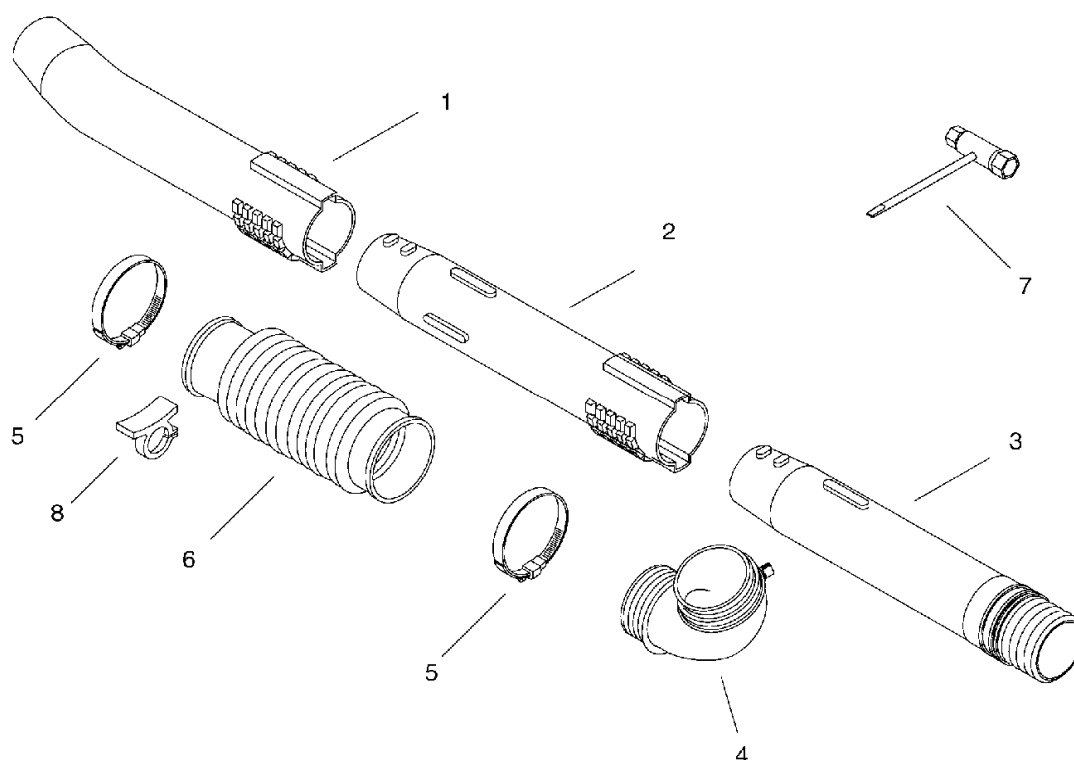
KEY	LV	PART NUMBER	Q'TY	DESCRIPTION	REMARKS	NOTE1	NOTE2
24		890160-06361	1	LABEL, CAUTION		Sus. by X505-002310	
24		X505-002310	1	LABEL, CAUTION	HOT CAUTION		
25		X503-007370	1	LABEL, MODEL	PB-620 EU	Sus. by X503-007371	
25		X503-007371	1	LABEL, MODEL	PB-620 EU	Sus. by X503-007372	
25		X503-007372	1	LABEL, MODEL	PB-620		

10. Harness



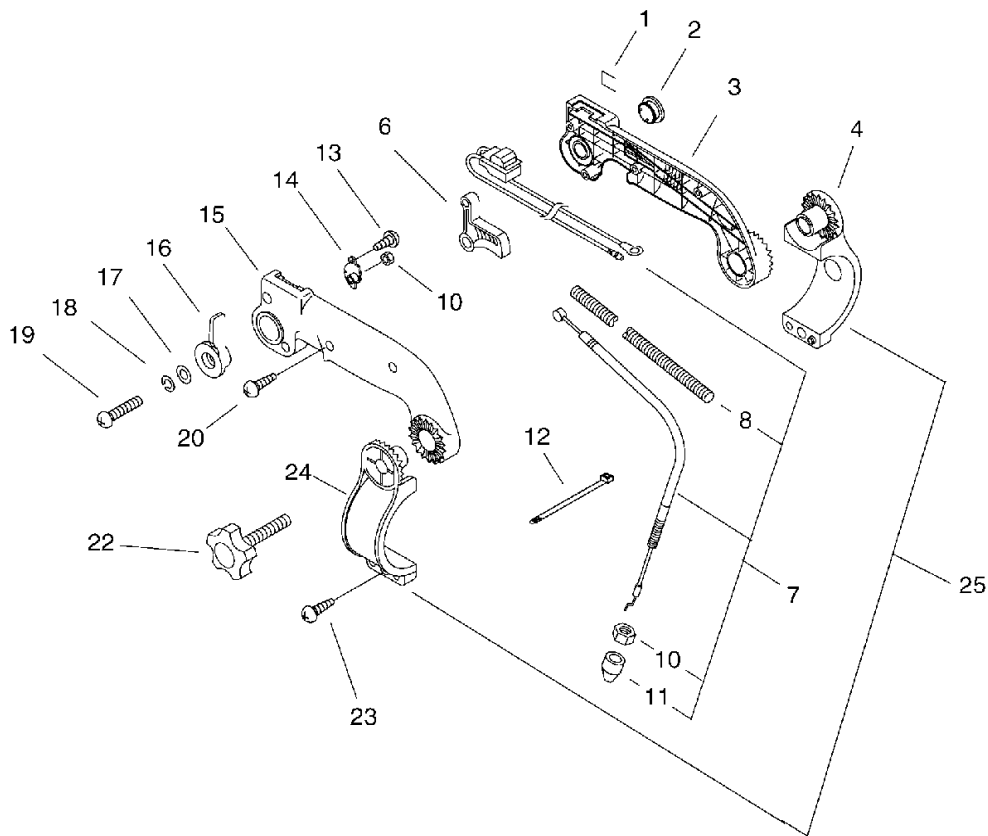
KEY	LV	PART NUMBER	Q'TY	DESCRIPTION	REMARKS	NOTE1	NOTE2
1		C061-000110	2	HARNESS,ASM BACKPACK		Sus. by C061-000111	
2		V491-000040	2	CLIP			
3		300105-08261	1	CUSHION, KNAPSACK			
4		V491-000120	4	CLIP			
5		900162-05020	4	BOLT, H.S. 5*20	5*20 W,SW		
6		V150-001350	2	PLATE,EYE			
7		91147-05020	2	BOLT HS FL TAPP			
8		C620-000212	1	FRAME,BACKPACK			
9		V456-000010	2	HOLDER,SPRING			
10		V450-000390	2	SPRING,COMPRESSION			
11		V263-000050	2	NUT,5			
12		V491-000110	1	CLIP	.308/.433 CABLE		
13		900253-05016	2	SCREW	5*16		
14		V401-000110	1	CUSHION,5			
15		613019-07350	2	WASHER 5.5*16*2T	5.5*16*2T		
16		900516-00005	2	NUT, FRANGE 5	5		
17		C622-000000	4	CONNECTOR,FRAME			
18		V304-000040	4	WASHER,CIRCULAR 6	6.6*20*1.6		
19		900105-06025	4	BOLT, H.S. 6*25	6*25		

11. Pipe, Tool



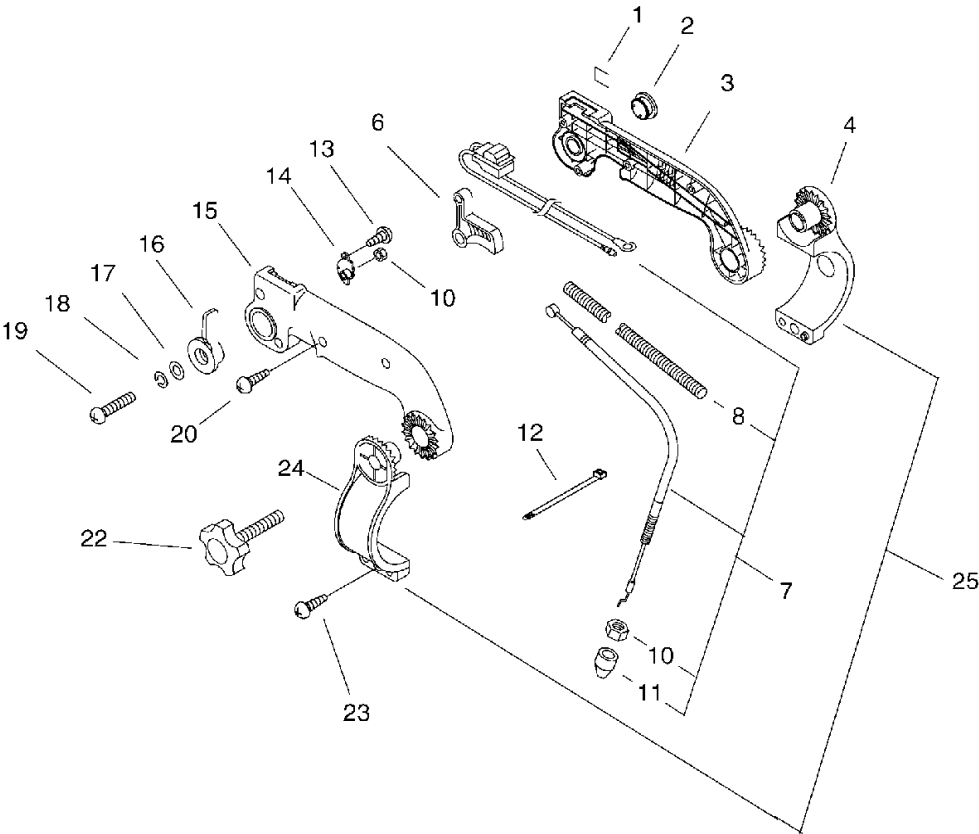
KEY	LV	PART NUMBER	Q'TY	DESCRIPTION	REMARKS	NOTE1	NOTE2
1		E165-000160	1	PIPE,BLOWER	418MM*65/79MM		
2		E165-000140	1	PIPE,BLOWER	418MM*73/79MM	Sus. by E165-000141	
3		E165-000130	1	PIPE,BLOWER	362MM*73/84MM		
4		E160-000061	1	PIPE,MAIN			
5		V495-000430	2	BAND	58.7MM / 82.5MM		
6		E164-000000	1	PIPE,FLEXIBLE			
7		895410-39131	1	WRENCH, W/S-DRIVER			
8		V491-000191	1	CLIP		Sr/Nr 36008771 and after	

12. Throttle(Sr/Nr 36004850 and before)



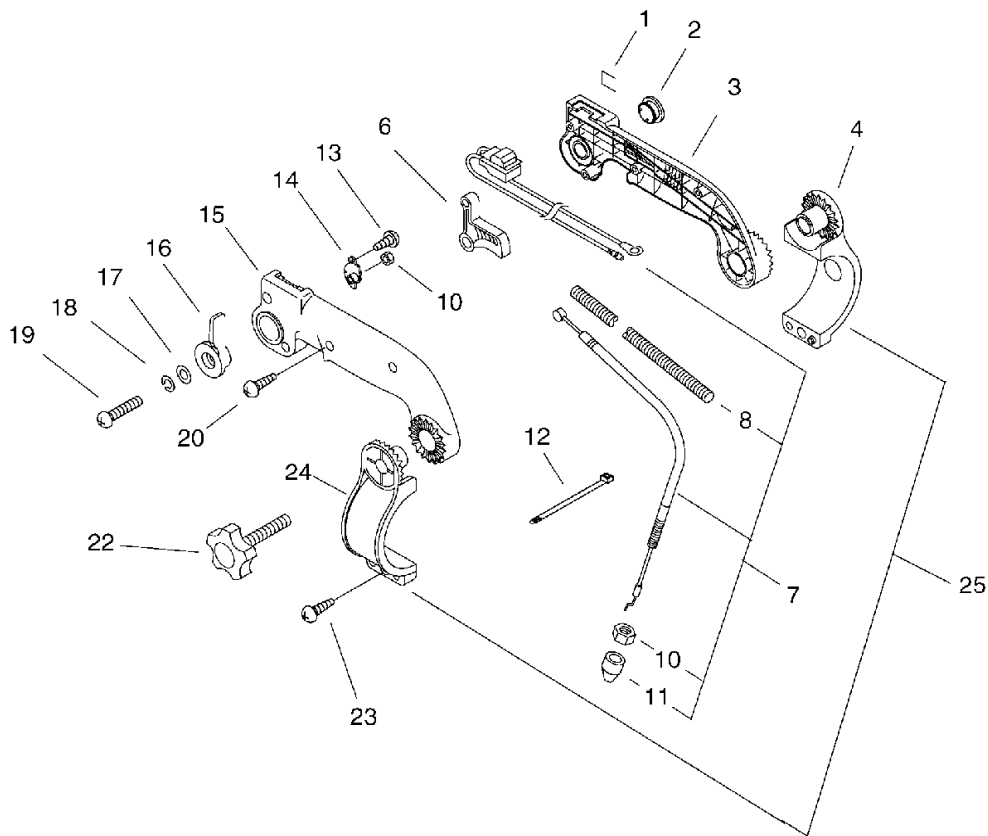
KEY	LV	PART NUMBER	Q'TY	DESCRIPTION	REMARKS	NOTE1	NOTE2
2		351146-07560	1	PLUG			
3		351311-07560	1	HANDLE, FRONT			
4		C405-000030	1	BRACKET,HANDLE			Sr/Nr 36004850 and before
5		178021-08260	1	NUT, THROTTLE ROD			Sr/Nr 36004850 and before
6		178010-07561	1	CONTROL, THROTTLE			
7		V043-000021	1	CABLE,ASM CONTROL			
8	+	V475-003210	1	TUBE	7*10*860		
10	+	900500-00006	1	NUT 6	6		
11	+	178082-08260	1	CAP			
10		900500-00006	1	NUT 6	6		
12		178121-09860	2	BAND			
13		900245-04010	1	SCREW 4*10	4*10		
14		178123-07561	1	BRACKET, THROTTLE			
15		351315-07560	1	HANDLE, FRONT			
16		178054-07560	1	CONTRTOL, THROTTLE			
17		900603-00006	1	WASHER 6	6.5*13*1		
18		900605-00006	1	WASHER, SPRING 6	6		
19		900235-06020	1	SCREW 6*20	6*20		
20		900256-04022	4	SCREW 4*22	4*22		
21		178516-07560	1	WASHER 6			Sr/Nr 36004850 and before
22		305812-08260	1	KNOB, FASTENER			
23		900253-05020	1	SCREW 5*20	5*20		

12. Throttle(Sr/Nr 36004850 and before)



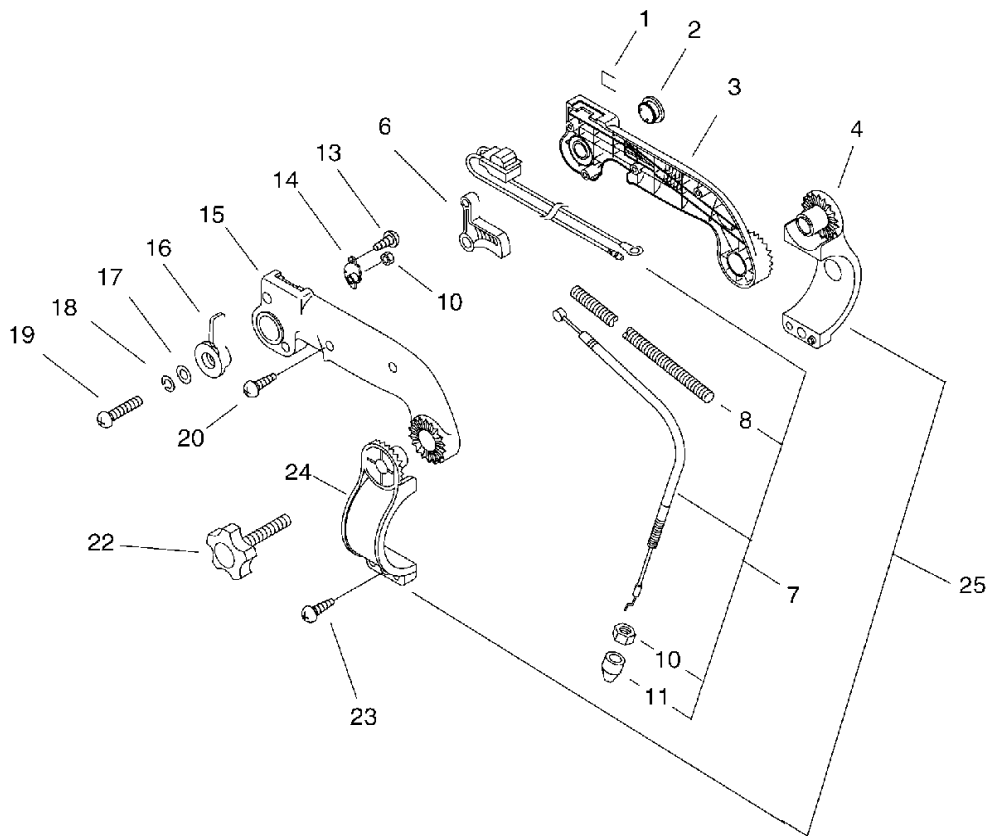
KEY	LV	PART NUMBER	Q'TY	DESCRIPTION	REMARKS	NOTE1	NOTE2
24		C405-000020	1	BRACKET,HANDLE		Sr/Nr 36004850 and before	

13. Throttle(Sr/Nr 36004851 to 36008770)



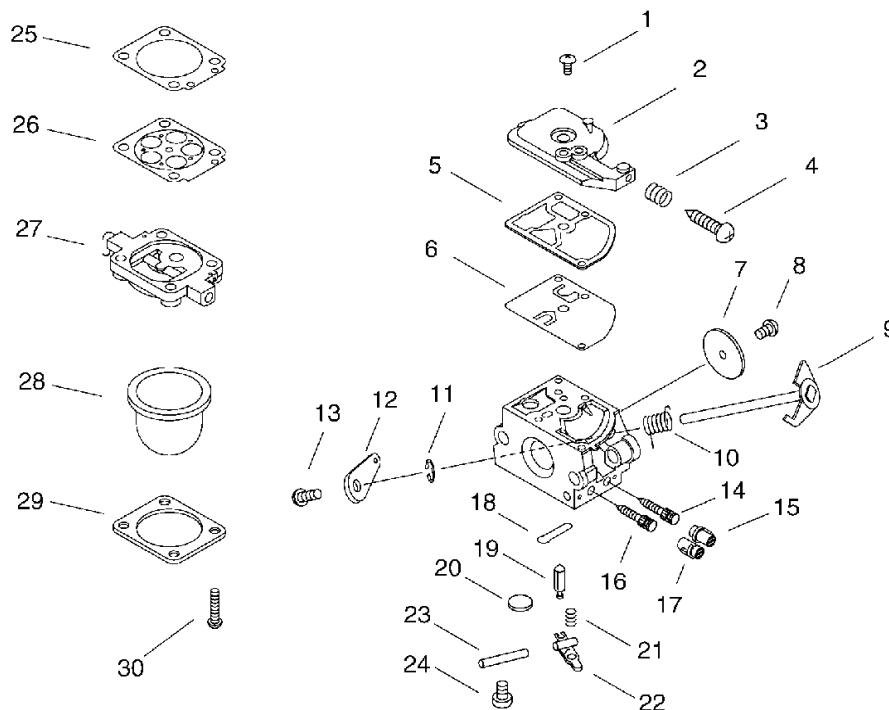
KEY	LV	PART NUMBER	Q'TY	DESCRIPTION	REMARKS	NOTE1	NOTE2
1		890157-06560	1	LABEL, SWITCH			
2		351146-07560	1	PLUG			
3		351311-07560	1	HANDLE, FRONT			
6		178010-07561	1	CONTROL, THROTTLE			
7		V043-000021	1	CABLE,ASM CONTROL			
8	+	V475-003210	1	TUBE	7*10*860		
10	+	900500-00006	1	NUT 6	6		
11	+	178082-08260	1	CAP			
10		900500-00006	1	NUT 6	6		
12		178121-09860	2	BAND		Sr/Nr 36008770 and before	
13		900245-04010	1	SCREW 4*10	4*10		
14		178123-07561	1	BRACKET, THROTTLE			
15		351315-07560	1	HANDLE, FRONT			
16		178054-07560	1	CONTRTOL, THROTTLE			
17		900603-00006	1	WASHER 6	6.5*13*1		
18		900605-00006	1	WASHER, SPRING 6	6		
19		900235-06020	1	SCREW 6*20	6*20		
20		900256-04022	4	SCREW 4*22	4*22		
22		305812-08260	1	KNOB, FASTENER			
23		900253-05020	1	SCREW 5*20	5*20		
25		P021-013320	1	BRACKET KIT, HANDLE			
4	+	C405-000240	1	BRACKET, HANDLE	RIGHT SIDE		
24	+	C405-000230	1	BRACKET, HANDLE	LEFT SIDE		

14. Throttle(Sr/Nr 36008771 and after)



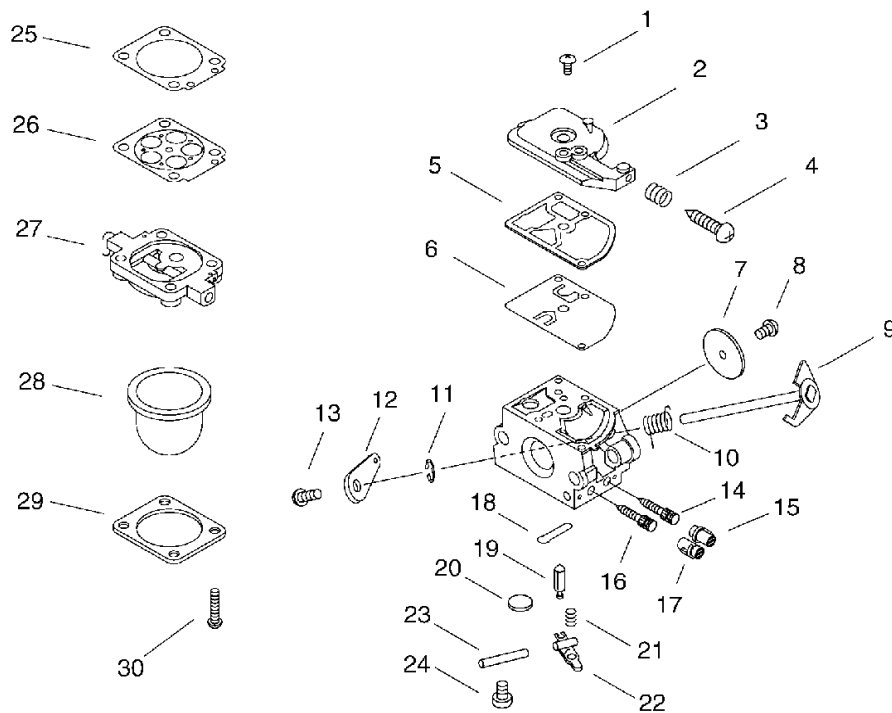
KEY	LV	PART NUMBER	Q'TY	DESCRIPTION	REMARKS	NOTE1	NOTE2
1		890157-06560	1	LABEL, SWITCH			
2		351146-07560	1	PLUG			
3		351311-07560	1	HANDLE, FRONT			
6		178010-07561	1	CONTROL, THROTTLE			
7		V043-000021	1	CABLE,ASM CONTROL			
8	+	V475-003210	1	TUBE	7*10*860		
10	+	900500-00006	1	NUT 6	6		
11	+	178082-08260	1	CAP			
10		900500-00006	1	NUT 6	6		
13		900245-04010	1	SCREW 4*10	4*10		
14		178123-07561	1	BRACKET, THROTTLE			
15		351315-07560	1	HANDLE, FRONT			
16		178054-07560	1	CONTRTOL, THROTTLE			
17		900603-00006	1	WASHER 6	6.5*13*1		
18		900605-00006	1	WASHER, SPRING 6	6		
19		900235-06020	1	SCREW 6*20	6*20		
20		900256-04022	4	SCREW 4*22	4*22		
22		305812-08260	1	KNOB, FASTENER			
23		900253-05020	1	SCREW 5*20	5*20		
25		P021-013320	1	BRACKET KIT,HANDLE			
4	+	C405-000240	1	BRACKET,HANDLE	RIGHT SIDE		
24	+	C405-000230	1	BRACKET,HANDLE	LEFT SIDE		

15. Carburetor(Sr/Nr 36004850 and before)



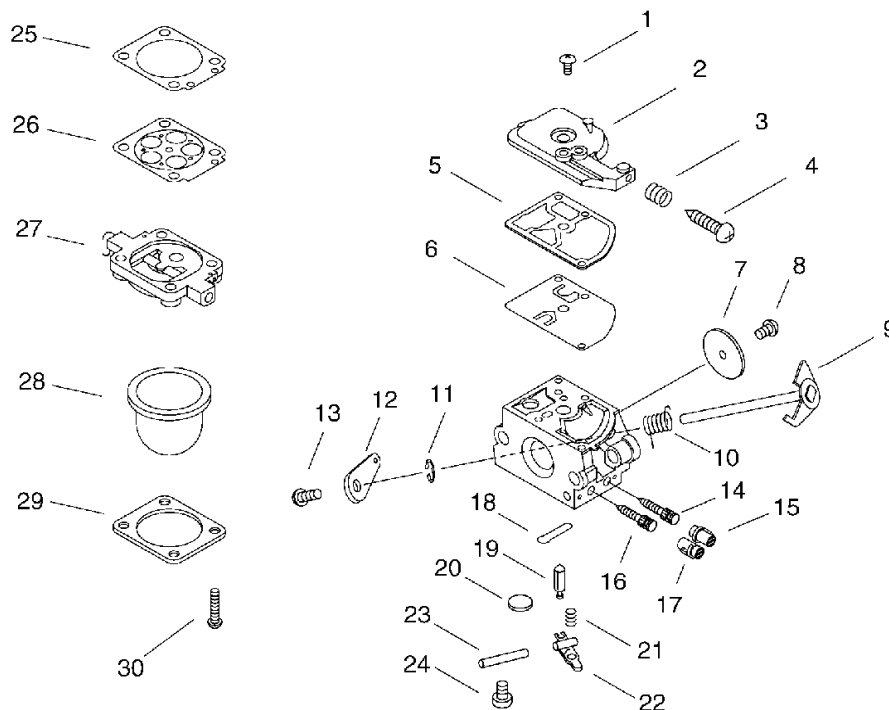
KEY	LV	PART NUMBER	Q'TY	DESCRIPTION	REMARKS	NOTE1	NOTE2
		A021-000770	1	CARBURETOR,DIAPHRAGM	C1M-K76		
1	+	125310-13930	1	SCREW			
2	+	125324-08360	1	COVER, PUMP			
3	+	125333-08560	1	SPRING,ADJUST SCREW			
4	+	125344-08560	1	SCREW			
5	+	125325-08360	1	GASKET, PUMP			
6	+	125312-08660	1	DIAPHRAGM, FUEL PUMP			
7	+	125316-13930	1	VALVE, THROTTLE			
8	+	125314-13930	1	SCREW	3*4		
9	+	125317-08360	1	SHAFT, THROTTLE		Sus. by P005-002040	
10	+	125313-08360	1	SPRING, THRT. RETURN			
11	+	125327-13930	1	CLIP			
12	+	125350-08360	1	LEVER, THROTTLE			
13	+	125348-13930	1	SCREW			
14	+	P005-001600	1	SCREW, IDLE MIXTURE			
15	+	125329-09860	1	LIMITER, MIXTURE			
16	+	P005-001590	1	SCREW,MAINN MIXTURE			
17	+	125329-39030	1	LIMITER, MIXTURE			
18	+	125345-08360	1	PLUG, WELCH			
19	+	125337-08260	1	VALVE, INLET NEEDLE			
20	+	125326-08360	1	STRAINER			
21	+	125322-13930	1	SPRING, COIL			
22	+	125323-08260	1	ARM, VALVE			
23	+	125338-13930	1	PIN, METERING ARM			
24	+	125339-13930	1	SCREW			

15. Carburetor(Sr/Nr 36004850 and before)



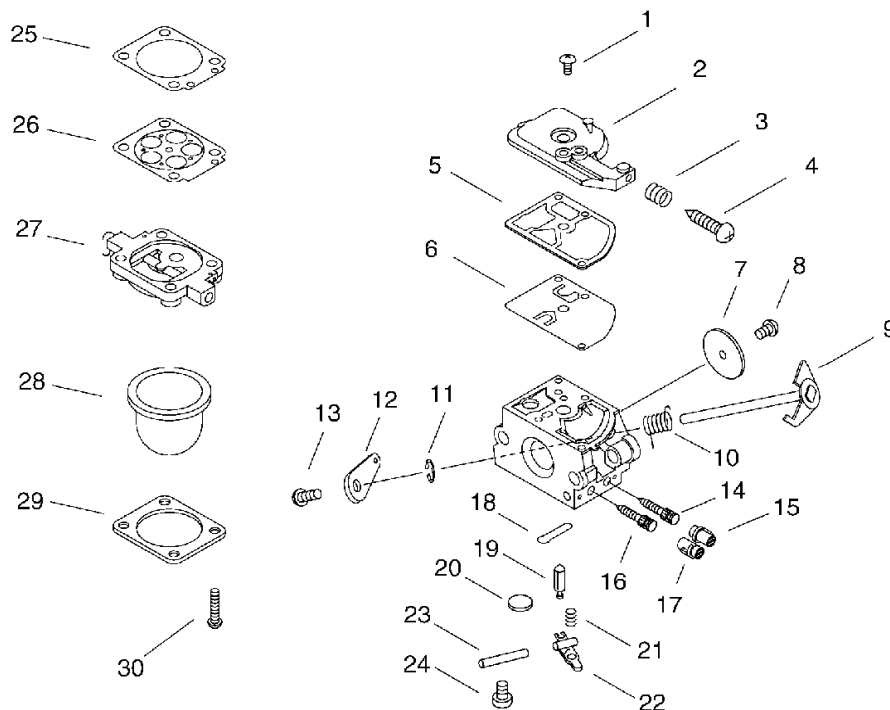
KEY	LV	PART NUMBER	Q'TY	DESCRIPTION	REMARKS	NOTE1	NOTE2
25	+	125340-34530	1	GASKET, DIAPHRAGM			
26	+	125341-08360	1	DIAPHRAGM			
27	+	P005-000610	1	BASE, PRIMER			
28	+	125381-08660	1	PUMP, PRIMING			
29	+	P005-000620	1	RETAINER			
30	+	P005-000980	4	SCREW			

16. Carburetor(Sr/Nr 36004851 and after)



KEY	LV	PART NUMBER	Q'TY	DESCRIPTION	REMARKS	NOTE1	NOTE2
		A021-000770	1	CARBURETOR,DIAPHRAGM	C1M-K76	Sus. by A021-000771	
		A021-000771	1	CARBURETOR,DIAPHRAGM	C1M-K76		
1	+	125310-13930	1	SCREW			
2	+	125324-08360	1	COVER, PUMP			
3	+	125333-08560	1	SPRING,ADJUST SCREW			
4	+	125344-08560	1	SCREW			
5	+	125325-08360	1	GASKET, PUMP			
6	+	125312-08660	1	DIAPHRAGM, FUEL PUMP			
7	+	125316-13930	1	VALVE, THROTTLE			
8	+	125314-13930	1	SCREW	3*4		
9	+	125317-08360	1	SHAFT, THROTTLE		Sus. by P005-002040	
9	+	P005-002040	1	SHAFT ASY,THROTTLE			
10	+	125313-08360	1	SPRING, THRT. RETURN			
11	+	125327-13930	1	CLIP			
12	+	125350-08360	1	LEVER, THROTTLE			
13	+	125348-13930	1	SCREW			
14	+	P005-001600	1	SCREW, IDLE MIXTURE			
15	+	125329-09860	1	LIMITER, MIXTURE			
16	+	P005-001590	1	SCREW,MAINN MIXTURE			
17	+	125329-39030	1	LIMITER, MIXTURE			
18	+	125345-08360	1	PLUG, WELCH			
19	+	125337-08260	1	VALVE, INLET NEEDLE			
20	+	125326-08360	1	STRAINER			
21	+	125322-13930	1	SPRING, COIL			

16. Carburetor(Sr/Nr 36004851 and after)



KEY	LV	PART NUMBER	Q'TY	DESCRIPTION	REMARKS	NOTE1	NOTE2
22	+	125323-08260	1	ARM, VALVE			
23	+	125338-13930	1	PIN, METERING ARM			
24	+	125339-13930	1	SCREW			
25	+	125340-34530	1	GASKET, DIAPHRAGM			
26	+	125341-08360	1	DIAPHRAGM			
27	+	P005-000610	1	BASE, PRIMER			
28	+	125381-08660	1	PUMP, PRIMING			
29	+	P005-000620	1	RETAINER			
30	+	P005-000980	4	SCREW			

17. Repair Kit

KEY	LV	PART NUMBER	Q'TY	DESCRIPTION	REMARKS	NOTE1	NOTE2
		125303-08360	1	GASKET/DIAPHRAGM KIT			
9-5	+	125325-08360	1	GASKET, PUMP			
9-6	+	125312-08660	1	DIAPHRAGM, FUEL PUMP			
9-25	+	125340-34530	1	GASKET, DIAPHRAGM			
9-26	+	125341-08360	1	DIAPHRAGM			
		125300-08360	1	REBUILD KIT			
9-5	+	125325-08360	1	GASKET, PUMP			
9-6	+	125312-08660	1	DIAPHRAGM, FUEL PUMP			
9-18	+	125345-08360	1	PLUG, WELCH			
9-19	+	125337-08260	1	VALVE, INLET NEEDLE			
9-20	+	125326-08360	1	STRAINER			
9-21	+	125322-13930	1	SPRING, COIL			
9-22	+	125323-08260	1	ARM, VALVE			
9-23	+	125338-13930	1	PIN, METERING ARM			
9-25	+	125340-34530	1	GASKET, DIAPHRAGM			
		P021-010630	1	GASKET KIT			
1-2	+	145510-06211	2	GASKET, MUFFLER			
1-5	+	101010-06211	1	GASKET, CYL. BASE			
1-6	+	130016-06211	1	GASKET, INTAKE			
1-19	+	100242-10721	1	GASKET, CRANKCASE			
3-8	+	130016-03731	1	GASKET, CARBURETOR			
3-10	+	130010-21262	1	GASKET, INTAKE			
3-13	+	V103-000000	1	GASKET,INTAKE			

Index

Patrs Number	Key No.	Patrs Number	Key No.	Patrs Number	Key No.
100011-08360	1 - 10	125325-08360	16 - 5	130016-06211	17 - 1-6
100011-08360	2 - 10	125325-08360	17 - 9-5	130016-06211	2 - 6
100012-12331	1 - 13	125325-08360	17 - 9-5	131010-08266	7 - 9
100012-12331	2 - 13	125326-08360	15 - 20	131016-21060	7 - 8
100013-06210	1 - 11	125326-08360	16 - 20	131051-27230	7 - 3
100013-06210	2 - 11	125326-08360	17 - 9-20	131053-03060	7 - 5
100015-00120	1 - 12	125327-13930	15 - 11	131205-19830	7 - 21
100015-00120	2 - 12	125327-13930	16 - 11	131314-06320	7 - 6
100204-08261	1 - 16	125329-09860	15 - 15	131600-09861	7 - 1
100204-08261	2 - 16	125329-09860	16 - 15	132010-08260	7 - 15
100213-00310	1 - 18	125329-39030	15 - 17	132011-08260	7 - 14
100213-00310	2 - 18	125329-39030	16 - 17	132013-26630	7 - 19
100215-03930	1 - 21	125333-08560	15 - 3	132015-08260	7 - 13
100215-03930	2 - 21	125333-08560	16 - 3	132016-08260	7 - 16
100242-10721	1 - 19	125337-08260	15 - 19	132021-08260	7 - 17
100242-10721	17 - 1-19	125337-08260	16 - 19	132115-02960	7 - 18
100242-10721	2 - 19	125337-08260	17 - 9-19	145510-06211	1 - 2
101010-06211	1 - 5	125338-13930	15 - 23	145510-06211	17 - 1-2
101010-06211	17 - 1-5	125338-13930	16 - 23	145510-06211	2 - 2
101010-06211	2 - 5	125338-13930	17 - 9-23	145510-06211	3 - 31
101514-08260	1 - 8	125339-13930	15 - 24	145510-06211	4 - 31
101514-08260	2 - 8	125339-13930	16 - 24	145862-06720	3 - 30
104913-08360	8 - 11	125340-34530	15 - 25	145862-06720	4 - 30
104913-08360	9 - 11	125340-34530	16 - 25	145866-04261	3 - 29
125300-08360	17 -	125340-34530	17 - 9-25	145866-04261	4 - 29
125303-08360	17 -	125340-34530	17 - 9-25	151112-04630	1 - 23
125310-13930	15 - 1	125341-08360	15 - 26	151112-04630	2 - 23
125310-13930	16 - 1	125341-08360	16 - 26	156111-06160	3 - 8
125312-08660	15 - 6	125341-08360	17 - 9-26	156111-06160	4 - 8
125312-08660	16 - 6	125344-08560	15 - 4	156601-09861	3 - 6
125312-08660	17 - 9-6	125344-08560	16 - 4	156601-09861	4 - 6
125312-08660	17 - 9-6	125345-08360	15 - 18	156800-06161	3 - 4
125313-08360	15 - 10	125345-08360	16 - 18	156800-06161	4 - 4
125313-08360	16 - 10	125345-08360	17 - 9-18	159010-10230	3 - 11
125314-13930	15 - 8	125348-13930	15 - 13	159010-10230	4 - 11
125314-13930	16 - 8	125348-13930	16 - 13	159012-10230	3 - 9
125316-13930	15 - 7	125350-08360	15 - 12	159012-10230	4 - 9
125316-13930	16 - 7	125350-08360	16 - 12	159016-05330	3 - 10
125317-08360	15 - 9	125381-08660	15 - 28	159016-05330	4 - 10
125317-08360	16 - 9	125381-08660	16 - 28	159129-08260	1 - 24
125322-13930	15 - 21	130007-08261	5 - 12	159129-08260	2 - 24
125322-13930	16 - 21	130007-08261	6 - 12	177214-40630	3 - 18
125322-13930	17 - 9-21	130010-21262	17 - 3-10	177214-40630	4 - 18
125323-08260	15 - 22	130010-21262	5 - 10	177227-42030	3 - 22
125323-08260	16 - 22	130010-21262	6 - 10	177227-42030	4 - 22
125323-08260	17 - 9-22	130016-03731	17 - 3-8	177228-01110	3 - 23
125324-08360	15 - 2	130016-03731	5 - 8	177228-01110	4 - 23
125324-08360	16 - 2	130016-03731	6 - 8	177236-06910	3 - 17
125325-08360	15 - 5	130016-06211	1 - 6	177236-06910	4 - 17

Index

Patrs Number	Key No.	Patrs Number	Key No.	Patrs Number	Key No.
178010-07561	12 - 6	890560-90660	9 - 21	900253-05016	9 - 3
178010-07561	13 - 6	895410-39131	11 - 7	900253-05020	12 - 23
178010-07561	14 - 6	900105-05060	5 - 4	900253-05020	13 - 23
178021-08260	12 - 5	900105-05060	6 - 4	900253-05020	14 - 23
178054-07560	12 - 16	900105-05060	8 - 12	900253-05030	8 - 6
178054-07560	13 - 16	900105-05060	9 - 12	900253-05030	9 - 6
178054-07560	14 - 16	900105-06020	3 - 33	900256-04022	12 - 20
178082-08260	12 - 11	900105-06020	4 - 33	900256-04022	13 - 20
178082-08260	13 - 11	900105-06025	10 - 19	900256-04022	14 - 20
178082-08260	14 - 11	900106-05020	3 - 32	900319-30070	7 - 2
178101-08260	8 - 18	900106-05020	4 - 32	900323-03014	1 - 15
178101-08260	9 - 18	900162-05020	10 - 5	900323-03014	2 - 15
178121-09860	12 - 12	900162-05020	8 - 8	900500-00006	12 - 10
178121-09860	13 - 12	900162-05020	9 - 8	900500-00006	12 - 10
178121-43230	7 - 22	900162-05022	1 - 3	900500-00006	13 - 10
178123-07561	12 - 14	900162-05022	2 - 3	900500-00006	13 - 10
178123-07561	13 - 14	900162-05025	5 - 11	900500-00006	14 - 10
178123-07561	14 - 14	900162-05025	6 - 11	900500-00006	14 - 10
178127-03460	7 - 12	900162-05032	1 - 22	900501-00010	3 - 1
178516-07560	12 - 21	900162-05032	2 - 22	900501-00010	4 - 1
200005-08261	8 - 9	900162-05040	1 - 17	900516-00005	10 - 16
200005-08261	9 - 9	900162-05040	2 - 17	900516-00005	7 - 10
200111-08265	8 - 7	900163-04018	3 - 24	900516-00005	8 - 15
200111-08265	9 - 7	900163-04018	4 - 24	900516-00005	9 - 15
300105-08261	10 - 3	900209-05020	7 - 11	900600-00003	7 - 4
305812-08260	12 - 22	900235-06020	12 - 19	900600-00005	8 - 13
305812-08260	13 - 22	900235-06020	13 - 19	900600-00005	9 - 13
305812-08260	14 - 22	900235-06020	14 - 19	900602-00010	3 - 3
351146-07560	12 - 2	900238-04010	3 - 27	900602-00010	4 - 3
351146-07560	13 - 2	900238-04010	4 - 27	900603-00006	12 - 17
351146-07560	14 - 2	900238-05010	1 - 7	900603-00006	13 - 17
351311-07560	12 - 3	900238-05010	2 - 7	900603-00006	14 - 17
351311-07560	13 - 3	900238-05018	1 - 25	900605-00006	12 - 18
351311-07560	14 - 3	900238-05018	2 - 25	900605-00006	13 - 18
351315-07560	12 - 15	900238-05018	3 - 5	900605-00006	14 - 18
351315-07560	13 - 15	900238-05018	4 - 5	900605-00010	3 - 2
351315-07560	14 - 15	900238-05018	8 - 23	900605-00010	4 - 2
613019-07350	10 - 15	900238-05018	9 - 23	900810-36202	1 - 20
890118-17930	3 - 25	900238-05025	8 - 19	900810-36202	2 - 20
890118-17930	4 - 25	900238-05025	9 - 19	91147-05020	10 - 7
890157-06560	13 - 1	900238-05040	8 - 17	94036-46202	2 - 20
890157-06560	14 - 1	900238-05040	9 - 17	A011-000340	1 - 14
890158-08261	5 - 7	900245-04010	12 - 13	A011-000340	2 - 14
890158-08261	6 - 7	900245-04010	13 - 13	A021-000770	15 -
890160-06361	8 - 24	900245-04010	14 - 13	A021-000770	16 -
890160-06361	9 - 24	900246-03012	8 - 10	A021-000770	5 - 9
890160-09461	8 - 14	900246-03012	9 - 10	A021-000771	16 -
890160-09461	9 - 14	900253-05016	10 - 13	A021-000771	6 - 9
890560-90660	8 - 21	900253-05016	8 - 3	A051-000930	3 - 16

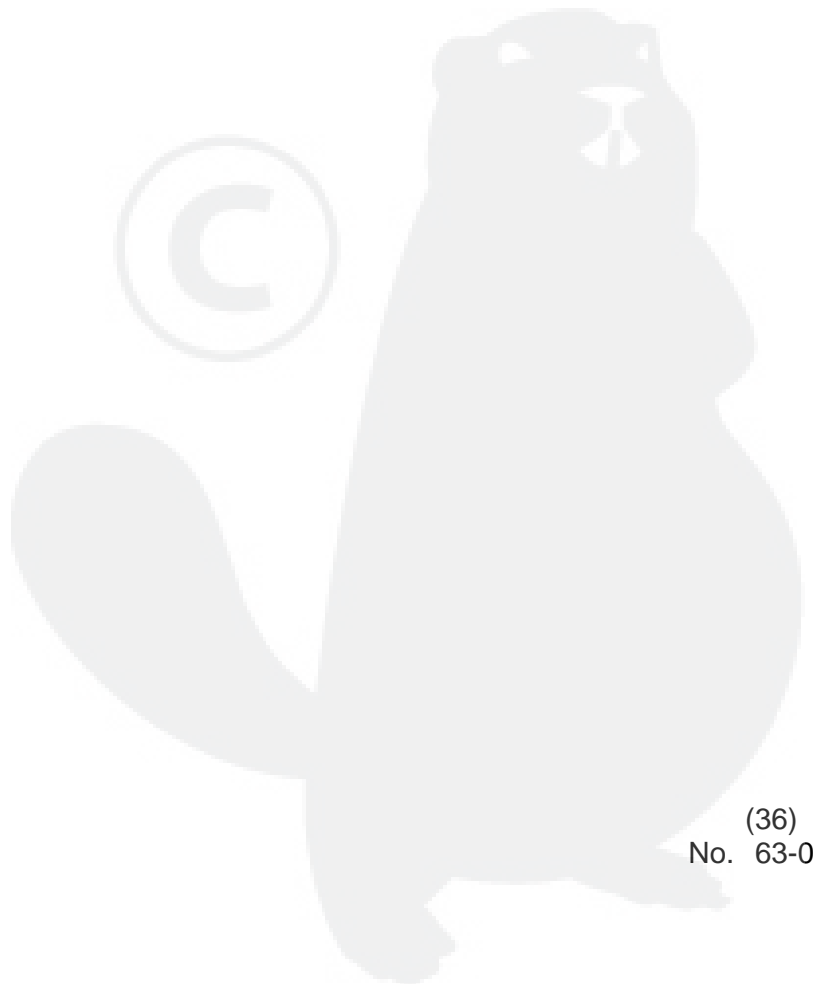
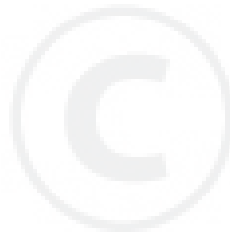
Index

Patrs Number	Key No.	Patrs Number	Key No.	Patrs Number	Key No.
A051-000930	4 - 16	P005-001600	15 - 14	V491-000120	9 - 1
A052-000042	3 - 12	P005-001600	16 - 14	V491-000191	11 - 8
A052-000042	4 - 12	P005-002040	16 - 9	V495-000430	11 - 5
A130-000570	1 - 4	P021-001833	3 - 26	X502-000460	4 - 25
A130-000570	2 - 4	P021-001833	4 - 26	X503-007370	8 - 25
A160-000450	1 - 1	P021-002521	5 - 6	X503-007370	9 - 25
A160-000450	2 - 1	P021-007450	1 - 9	X503-007371	9 - 25
A161-000070	8 - 4	P021-007450	2 - 9	X503-007372	9 - 25
A161-000070	9 - 4	P021-010630	17 -	X505-002310	9 - 24
A190-000102	8 - 22	P021-013320	13 - 25		
A190-000102	9 - 22	P021-013320	14 - 25		
A226-000032	5 - 3	P021-014431	6 - 14		
A226-000032	6 - 3	P022-002100	3 - 13		
A232-000080	5 - 2	P022-002100	4 - 13		
A244-000020	5 - 5	P022-003120	3 - 15		
A244-000020	6 - 5	P022-003120	4 - 15		
A313-000240	3 - 28	P022-003130	3 - 14		
A313-000240	4 - 28	P022-003130	4 - 14		
A322-000000	8 - 20	P022-004680	3 - 20		
A322-000000	9 - 20	P022-004680	4 - 20		
A358-000000	7 - 7	P022-005910	3 - 19		
C061-000110	10 - 1	P022-005910	4 - 19		
C405-000020	12 - 24	P022-010580	3 - 21		
C405-000030	12 - 4	P022-010580	4 - 21		
C405-000230	13 - 24	V043-000021	12 - 7		
C405-000230	14 - 24	V043-000021	13 - 7		
C405-000240	13 - 4	V043-000021	14 - 7		
C405-000240	14 - 4	V103-000000	17 - 3-13		
C617-000230	8 - 5	V103-000000	5 - 13		
C617-000230	9 - 5	V103-000000	6 - 13		
C620-000212	10 - 8	V150-001350	10 - 6		
C622-000000	10 - 17	V263-000050	10 - 11		
E103-000103	8 - 16	V299-000290	5 - 1		
E103-000103	9 - 16	V299-000290	6 - 1		
E104-000061	8 - 2	V304-000040	10 - 18		
E104-000061	9 - 2	V340-000210	6 - 15		
E160-000061	11 - 4	V401-000110	10 - 14		
E164-000000	11 - 6	V450-000390	10 - 10		
E165-000130	11 - 3	V456-000010	10 - 9		
E165-000140	11 - 2	V471-000770	7 - 20		
E165-000160	11 - 1	V475-003210	12 - 8		
P005-000610	15 - 27	V475-003210	13 - 8		
P005-000610	16 - 27	V475-003210	14 - 8		
P005-000620	15 - 29	V485-000190	3 - 7		
P005-000620	16 - 29	V485-000190	4 - 7		
P005-000980	15 - 30	V491-000040	10 - 2		
P005-000980	16 - 30	V491-000110	10 - 12		
P005-001590	15 - 16	V491-000120	10 - 4		
P005-001590	16 - 16	V491-000120	8 - 1		

YAMABIKO CORPORATION

7-2 SUEHIROCHO 1-CHOME, OHME, TOKYO 198-8760, JAPAN
PHONE: 81-428-32-6118. FAX: 81-428-32-6145.

ECHO®



(36)
No. 63-054