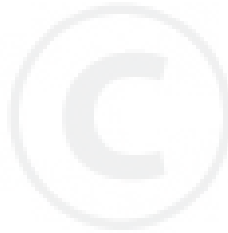




# **PARTS CATALOG**

## **BACKPACK BLOWER**

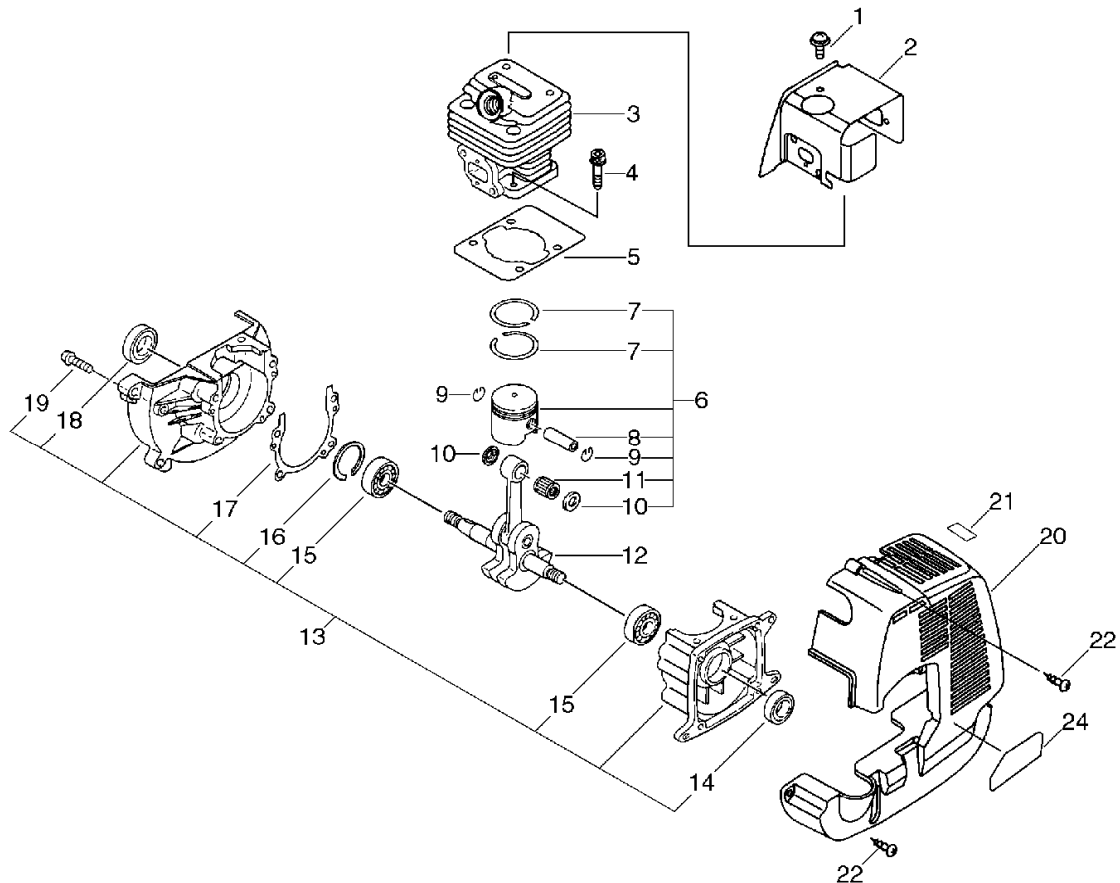
### **PB-260LS**



PB-260LS

# 1. Cylinder, Crankcase, Piston

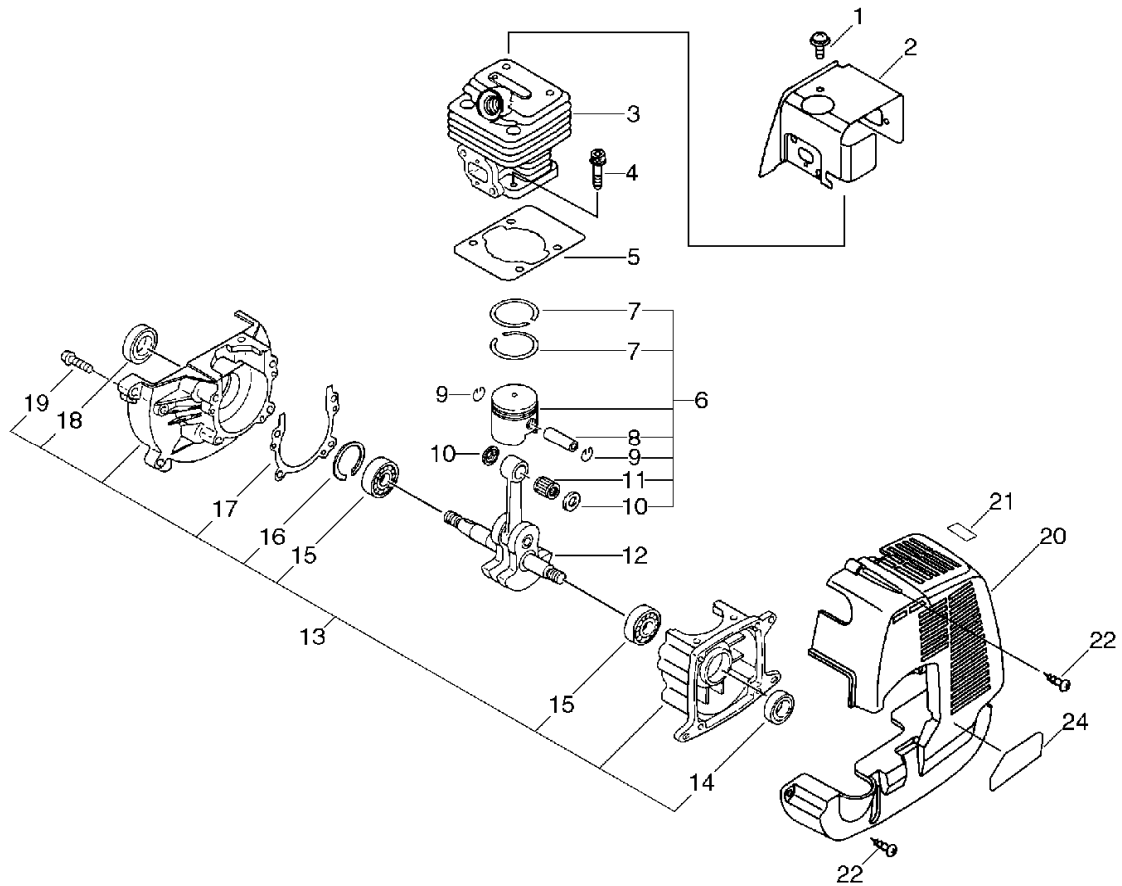
No.1



KEY	LV	PART NUMBER	Q'TY	DESCRIPTION	REMARKS	NOTE1	NOTE2
1		900242-05010	1	SCREW 5*10	5*10		
2		A160-000120	1	COVER,CYLINDER			
3		A130-000122	1	CYLINDER			
4		900162-05022	4	BOLT, H.S. 5*22	5*22 W,SW		
5		V100-000010	1	GASKET,CYL			
6		P021-001680	1	PISTON KIT		Sus. by P021-002360	
6		P021-002360	1	PISTON KIT			
7	+	A101-000010	2	RING,PISTON			
8	+	V606-000000	1	PIN,ENG 8	5*8*28		
9	+	100015-04630	2	CIRCLIP, PISTON PIN			
10	+	100014-55930	2	SPACER, PISTON PIN			
11	+	V553-000000	1	BEARING,NEEDLE 8		Sus. by V553-000020	
11	+	V553-000020	1	BEARING,NEEDLE 8	KBK8X11X8.8X4		
12		A011-000030	1	CRANKSHAFT,ASM		Sus. by A011-000031	
12		A011-000031	1	CRANKSHAFT,ASM			
13		P021-000940	1	CRANKCASE KIT		Sus. by P021-000941	
13		P021-000941	1	CRANKCASE KIT			
14	+	100213-05530	1	OILSEAL	ISCD 12 22 7		
15	+	900800-36001	2	BEARING, BALL 6001	6001/C3		
16	+	900702-00028	1	CIRCLIP 28	CR-28		
17	+	100242-55930	1	GASKET, CRANKCASE			

# 1. Cylinder, Crankcase, Piston

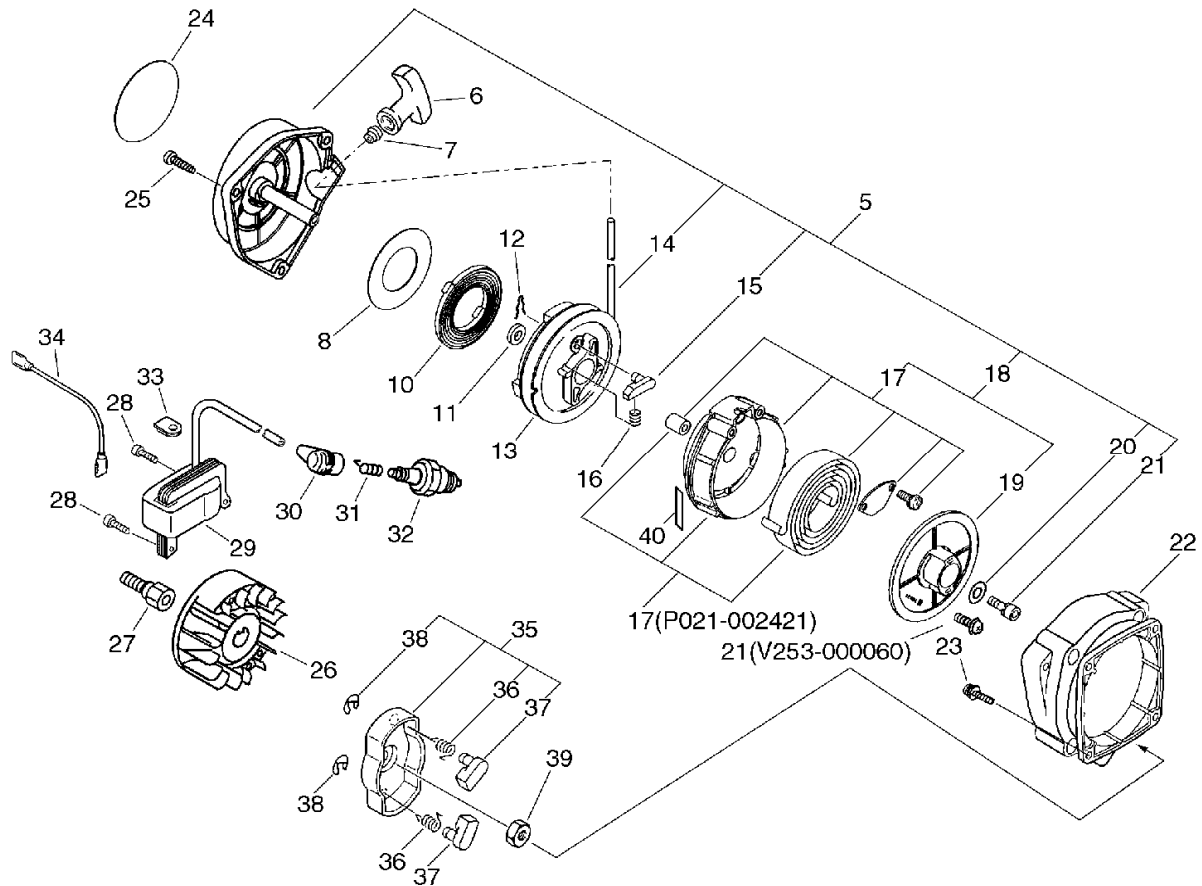
No.1



KEY	LV	PART NUMBER	Q'TY	DESCRIPTION	REMARKS	NOTE1	NOTE2
18	+	100212-28230	1	OILSEAL ISCD 12*28*7	ISCD 12*28*7		
19	+	900162-05025	4	BOLT, H.S. 5*25	5*25 W,SW		
20		A190-000011	1	COVER,ENGINE			
21		890160-06361	1	LABEL, CAUTION			
22		900253-05020	4	SCREW 5*20	5*20		
24		X503-001870	1	LABEL,MODEL	PB-260LE		

## 2. Starter, Magneto

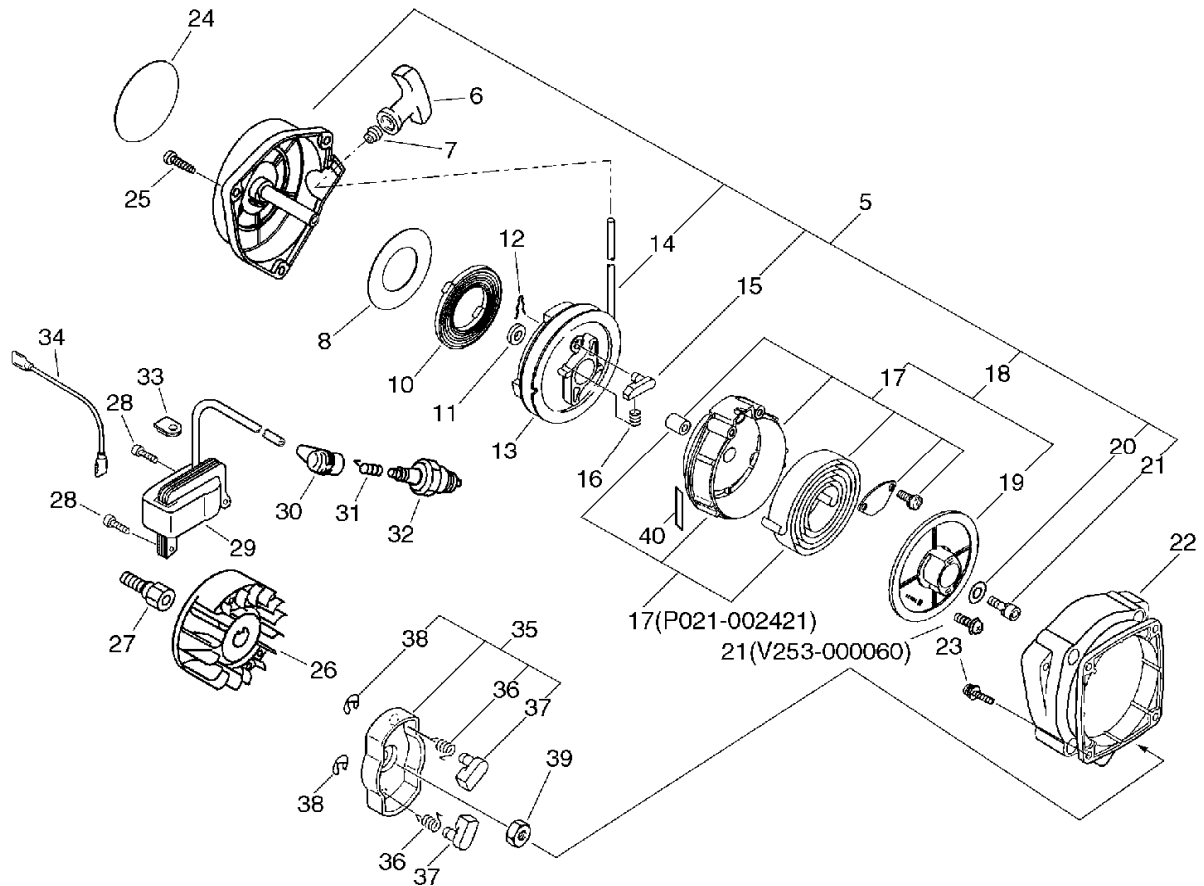
No.2



KEY	LV	PART NUMBER	Q'TY	DESCRIPTION	REMARKS	NOTE1	NOTE2
5		A051-000050	1	STARTER,RECOIL		Sus. by A051-000057	
5		A051-000052	1	STARTER,RECOIL		Sus. by A051-000057	
5		A051-000053	1	STARTER,RECOIL		Sus. by A051-000057	
5		A051-000054	1	STARTER,RECOIL		Sus. by A051-000057	
5		A051-000055	1	STARTER,RECOIL		Sus. by A051-000057	
5		A051-000056	1	STARTER,RECOIL		Sus. by A051-000057	
5		A051-000057	1	STARTER,RECOIL			
6	+	177228-27030	1	GRIP, STARTER			
7	+	177227-42030	1	GUIDE, ROPE			
8	+	A503-000000	1	PLATE,STARTER		Sus. by A503-000010	
8	+	A503-000010	1	PLATE,STARTER			
10	+	A504-000000	1	SPRING,SPIRAL		Sus. by A504-000001	
10	+	A504-000001	1	SPRING,SPIRAL			
11	+	V355-000080	1	COLLAR,8	8.2*16*3		
12	+	900700-00004	2	E-RING 4	CE-4	Sus. by V641-000040	
12	+	V641-000040	2	PIN,SNAP			
13	+	A506-000010	1	REEL,ROPE			

## 2. Starter, Magneto

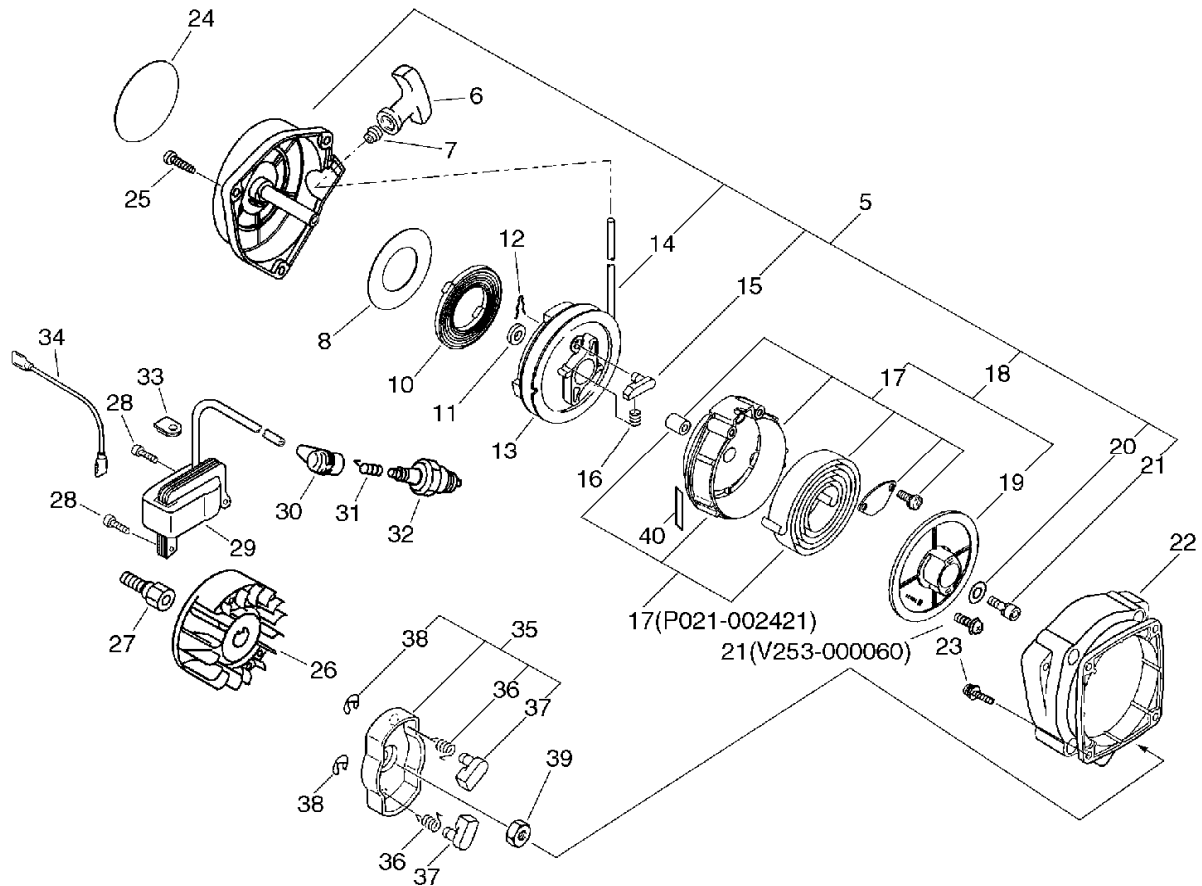
No.2



KEY	LV	PART NUMBER	Q'TY	DESCRIPTION	REMARKS	NOTE1	NOTE2
14	+	177226-10120	1	ROPE, STARTER	3.0*1000		
15	+	A514-000010	2	PAWL			
16	+	V450-000130	2	SPRING, COMPRESSION			
17	+	P021-002420	1	POWER SPRING ASY		Sus. by A053-000031	
17	+	P021-002421	1	POWER SPRING ASY		Sus. by A053-000031	
18	+	A053-000030	1	SPRING, SET POWER			
18	+	A053-000031	1	SPRING, ASM POWER			
17	++	P021-002422	1	POWER SPRING ASY		Sus. by P021-004020	
17	++	P021-004020	1	POWER SPRING ASY			
19	++	A520-000023	1	PULLEY, STARTING		Can be used on the P021-002422,-004020	
19	+	A520-000020	1	PULLEY, STARTING		Sus. by A520-000021	
19	+	A520-000021	1	PULLEY, STARTING		Can be used on the P021-002421 only	
20	+	177214-02830	1	WASHER	5.2*16*1.0T	Sus. by V253-000060	
21	+	900105-05012	1	BOLT, H.S. 5*12	5*12	Sus. by V253-000060	
21	+	V253-000060	1	SCREW, 5			
22		V376-000170	1	SPACER			

## 2. Starter, Magneto

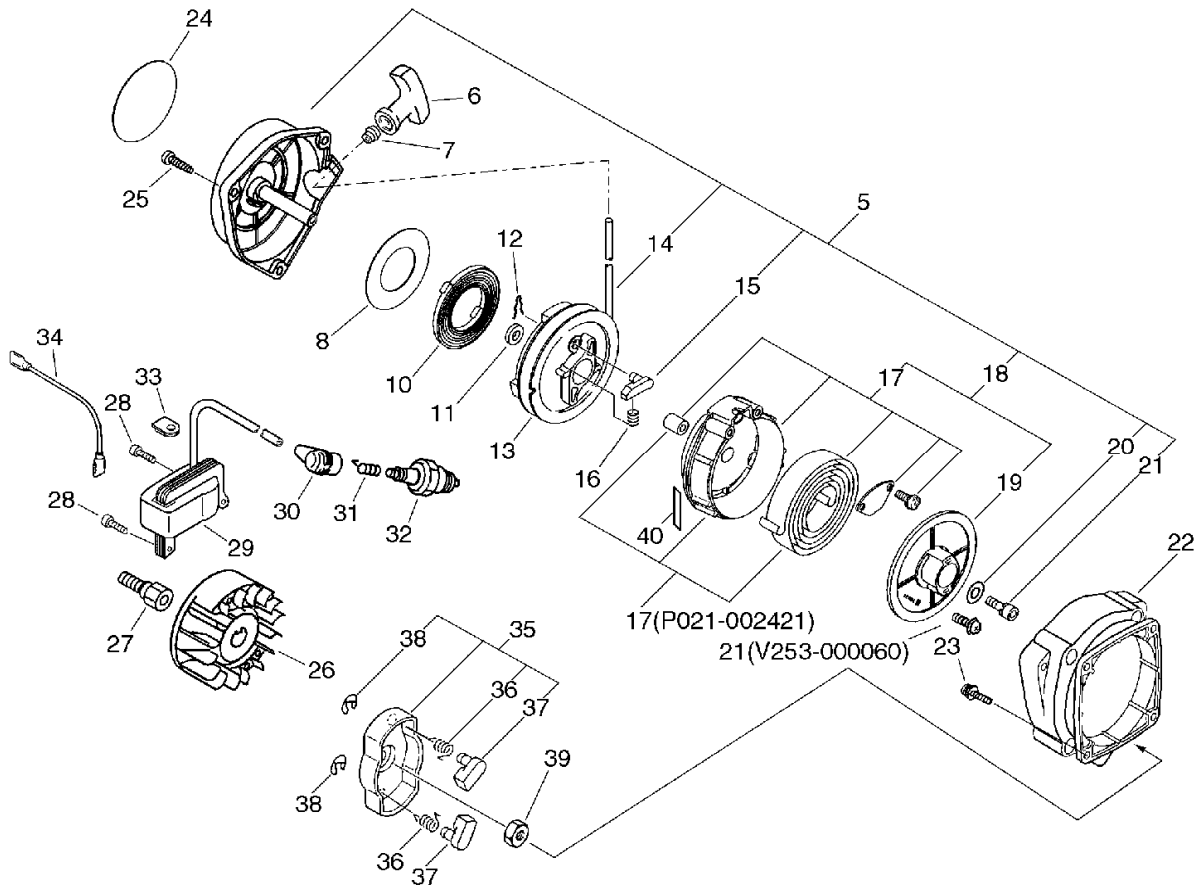
No.2



KEY	LV	PART NUMBER	Q'TY	DESCRIPTION	REMARKS	NOTE1	NOTE2
23		900163-04016	4	BOLT HSH			
24		X502-000030	1	LABEL,ECHO		Sus. by X502-000240	
24		X502-000031	1	LABEL,ECHO		Sus. by X502-000240	
24		X502-000032	1	LABEL,ECHO		Sus. by X502-000240	
24		X502-000240	1	LABEL,ECHO			
25		900253-05020	3	SCREW 5*20	5*20		
26		A409-000020	1	ROTOR,MAGNETO			
27		E101-000000	1	HUB,FAN			
28		900162-05016	2	BOLT, H.S. 5*16	5*16 W,SW		
29		A411-000010	1	COIL,IGNITION			
30		159012-03433	1	CAP, SPARK PLUG			
31		159011-03432	1	COIL, SPARK PLUG			
32		159010-10230	1	PLUG, SPARK (BPMR-7A)	BPMR-7A		
33		156112-40630	1	GROMMET			
34		V485-000040	1	LEAD			
35		177202-40630	1	PAWL ASSY, STARTER		Sus. by A052-000030	
35		A052-000030	1	PULLEY,ASM STARTER			
36	+	177234-40630	1	SPRING, RETURN		Can be used on the 177202-40630	

## 2. Starter, Magneto

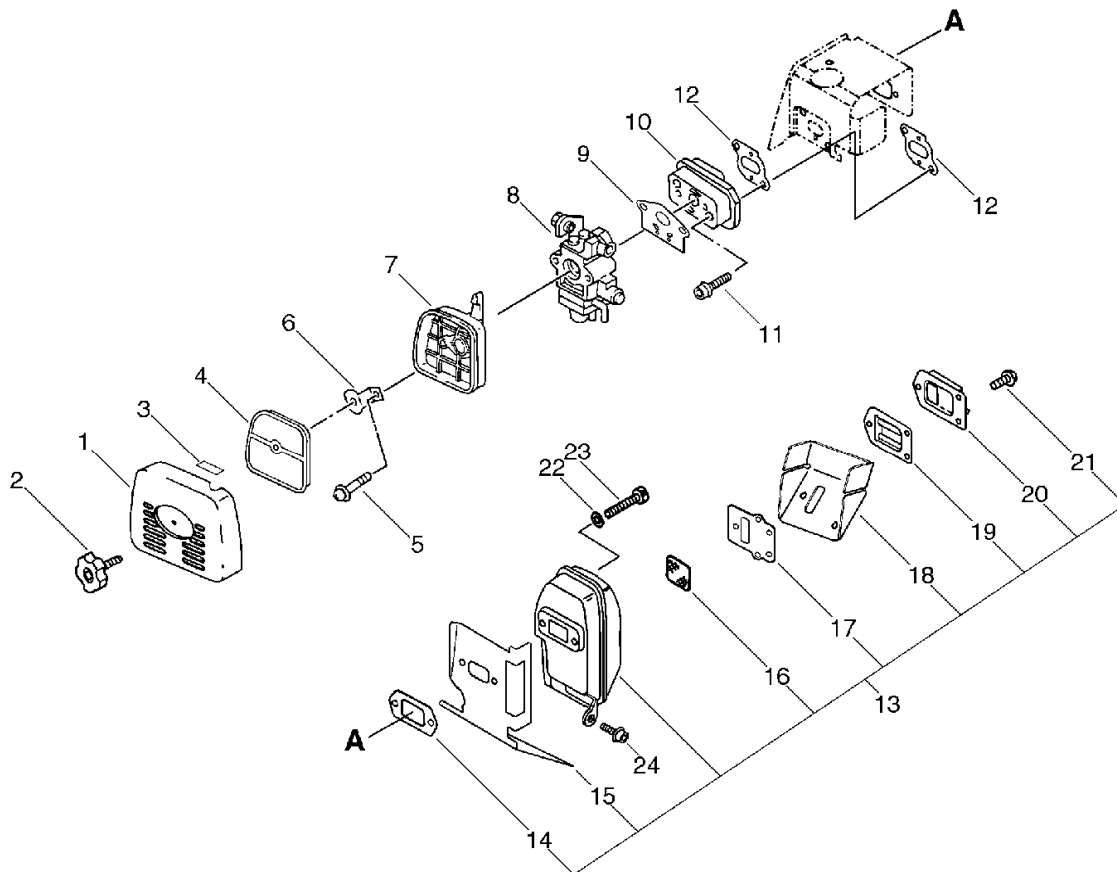
No.2



KEY	LV	PART NUMBER	Q'TY	DESCRIPTION	REMARKS	NOTE1	NOTE2
36	+	177234-40630	2	SPRING, RETURN		Can be used on the A052-000030	
37	+	177218-40630	1	PAWL, STARTER	WHITE	Can be used on the 177202-40630	
37	+	177218-40630	2	PAWL, STARTER	WHITE	Can be used on the A052-000030	
38	+	900700-00004	1	E-RING 4	CE-4	Can be used on the 177202-40630	
38	+	900700-00004	2	E-RING 4	CE-4	Can be used on the A052-000030	
39		900502-00008	1	NUT 8 (3N)	3N8		
40		X505-000620	1	LABEL, CAUTION			

### 3. Air Cleaner, Muffler

No.3

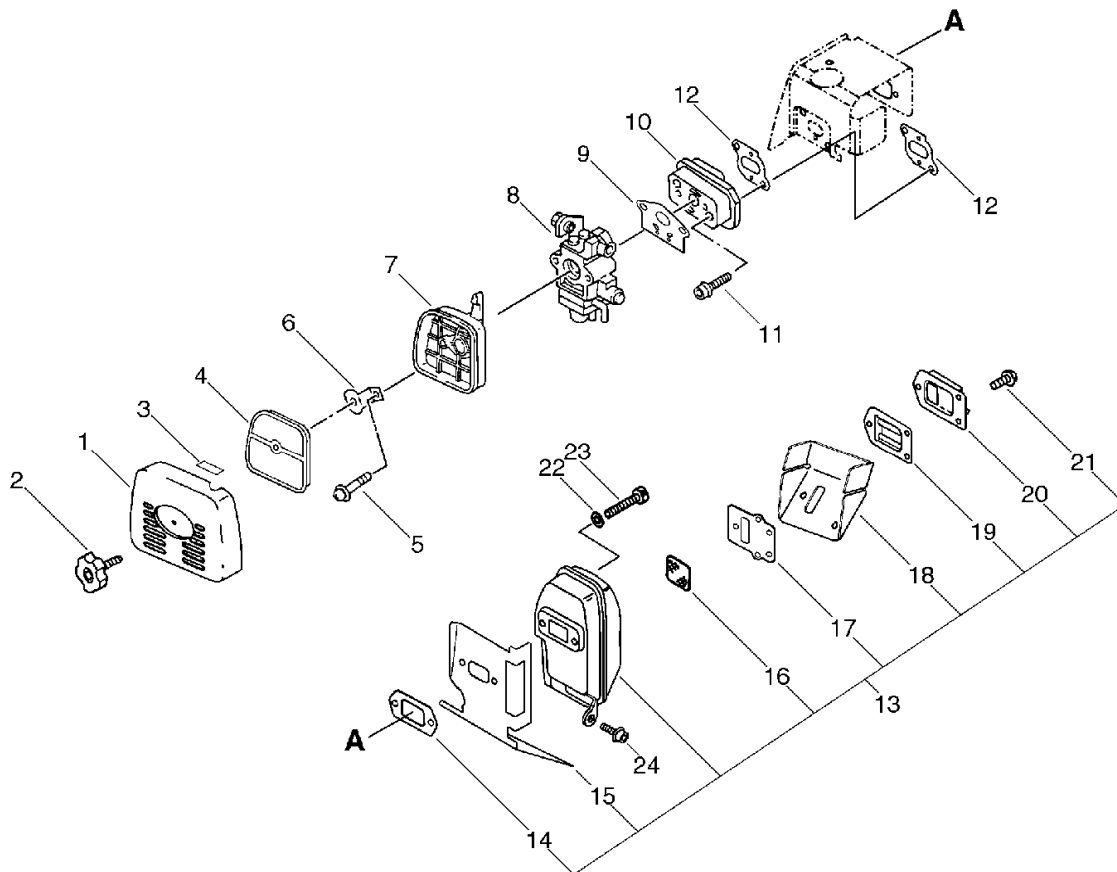


KEY	LV	PART NUMBER	Q'TY	DESCRIPTION	REMARKS	NOTE1	NOTE2
1		A232-000040	1	LID,CLEANER		Sus. by A232-000041	
1		A232-000041	1	LID,CLEANER			
2		130406-52130	1	KNOB, FASTENER		Sus. by 130406-52131	
2		130406-52131	1	KNOB, FASTENER			
3		890332-52730	1	LABEL, CHOKE			
4		130310-51830	1	FILTER, AIR			
5		900242-05060	2	SCREW 5*60	5*60		
6		129011-57730	1	PLATE, PRVENT		Sus. by 129011-57731	
6		129011-57731	1	PLATE, PRVENT			
7		130307-57730	1	CASE,AIR CLEANER			
8		A021-000121	1	CARBURETOR,DIAPHRAGM	WYJ-257	Sus. by A021-000122	
8		A021-000122	1	CARBURETOR,DIAPHRAGM	WYJ-257A		
9		130010-13410	1	GASKET, INTAKE			
10		A200-000021	1	INSULATOR,INTAKE			
11		900106-05025	2	BOLT, H.S. 5*25	5*25		
12		130010-55930	2	GASKET, INTAKE			
13		P021-001481	1	MUFFLER ASY		Sus. by P021-001482	
13		P021-001482	1	MUFFLER ASY			
14	+	145510-42032	1	GASKET, MUFFLER			
15	+	V104-000041	1	GASKET,EXHAUST			
16	+	145862-40630	1	SCREEN, MUFFLER			



## 3. Air Cleaner, Muffler

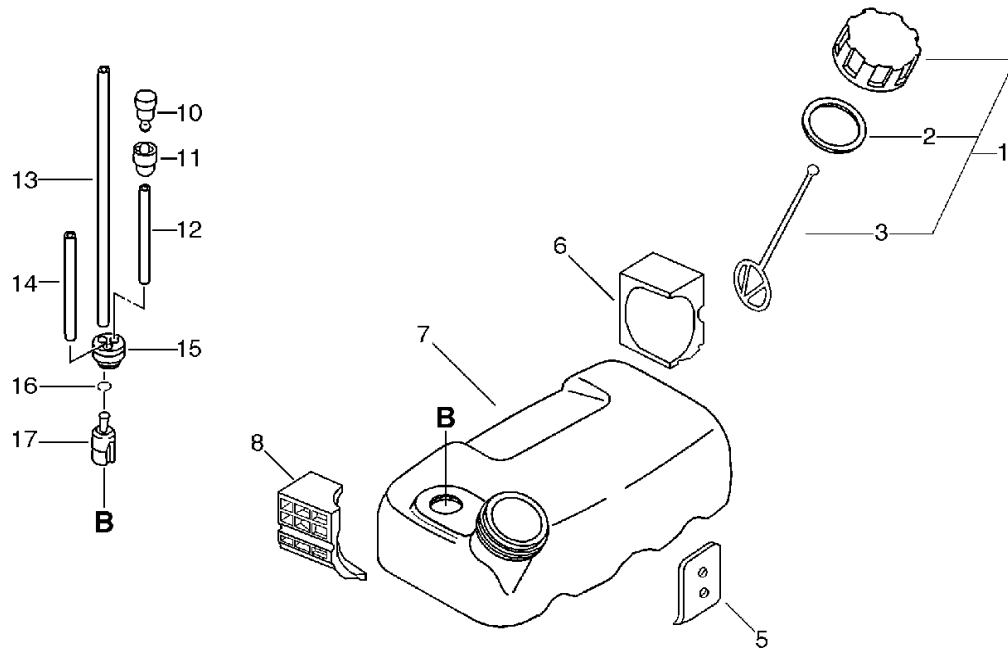
No.3



KEY	LV	PART NUMBER	Q'TY	DESCRIPTION	REMARKS	NOTE1	NOTE2
17	+	V104-000032	1	GASKET,EXHAUST		Sus. by V104-000350	
18	+	V104-000051	1	GASKET,EXHAUST		Sus. by V104-000350	
18	+	V104-000350	1	GASKET,EXHAUST			
19	+	A313-000110	1	GUIDE,EXH			
20	+	A313-000080	1	GUIDE,EXH			
21	+	91367-04010	3	SCREW	4*10/SW(SUS)	Sus. by 900242-04010	
21	+	900242-04010	3	SCREW 4*10	4*10		
22		900600-00005	2	WASHER 5	5		
23		900105-05060	2	BOLT, H.S. 5*60	5*60		
24		900162-05016	1	BOLT, H.S. 5*16	5*16 W,SW		

## 4. Fuel Tank

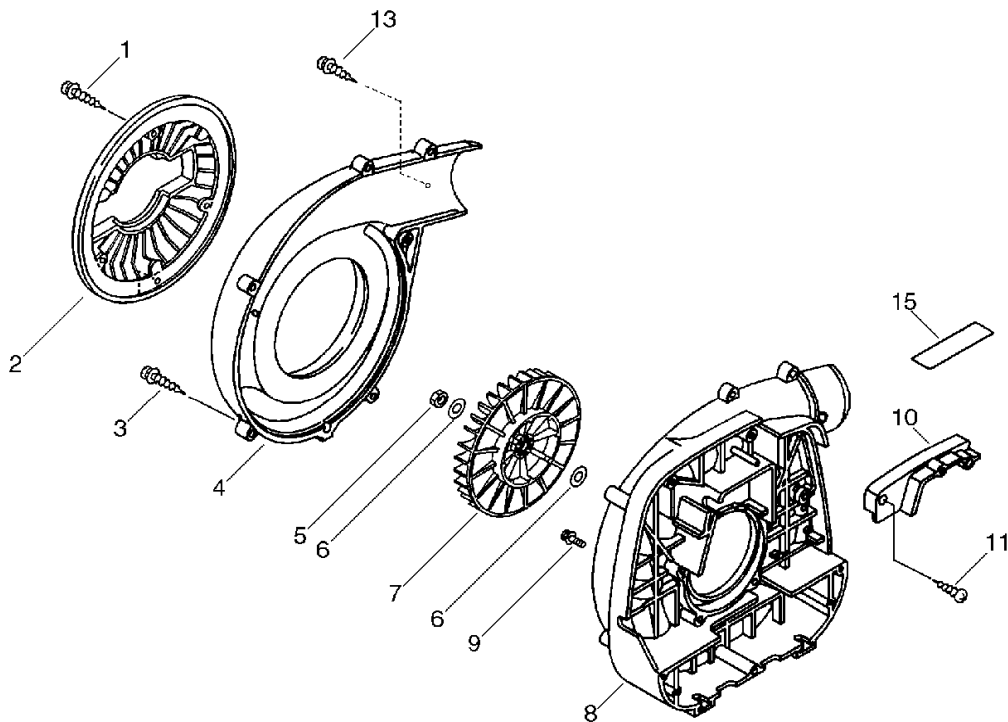
No.4



KEY	LV	PART NUMBER	Q'TY	DESCRIPTION	REMARKS	NOTE1	NOTE2
1		131004-55530	1	CAP ASSY, FUEL TANK			
2	+	131016-55830	1	GASKET, FUEL CAP			
3	+	131051-56030	1	CLIP, FUEL CAP	100L		
5		V420-000390	1	CUSHION	30*42 T8		
6		V420-000280	1	CUSHION			
7		A350-000022	1	TANK,FUEL		Sus. by A350-000023	
7		A350-000023	1	TANK,FUEL			
8		V420-000270	1	CUSHION			
10		131300-56430	1	VALVE, CHECK		Sus. by A356-000030	
10		A356-000030	1	VALVE,CHECK			
11		131328-40630	1	COVER, VENT			
12		437217-20760	1	PIPE 3* 6*100	3*6*100 NBR		
13		437210-15130	1	PIPE, OIL	3*6*200L		
14		132010-14010	1	PIPE 3* 6*100	3*6*100 YL		
15		132115-55930	1	GROMMET, FUEL			
16		132013-26630	1	CLIP	6.5MM		
17		131205-19830	1	STRAINER, FUEL			

## 5. Fan Case

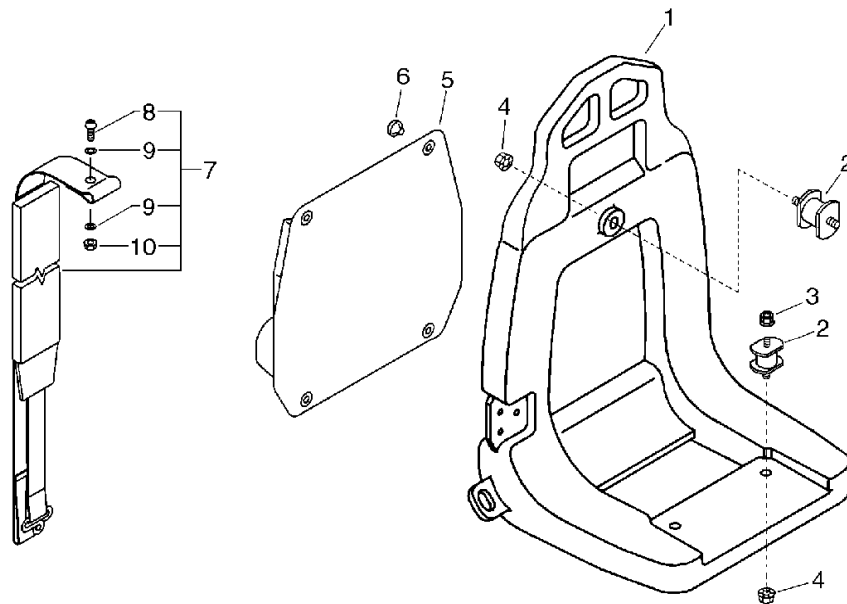
No.5



KEY	LV	PART NUMBER	Q'TY	DESCRIPTION	REMARKS	NOTE1	NOTE2
1		900253-05016	3	SCREW	5*16		
2		200124-09560	1	GRID, FAN CASE			
3		900253-05020	6	SCREW 5*20	5*20		
4		E103-000050	1	CASE,FAN			
5		900500-00008	1	NUT 8	8*P1.25		
6		100132-05660	2	WASHER	8.2*30*3.0		
7		E100-000020	1	FAN,BLOWER			
8		E103-000040	1	CASE,FAN			
9		900242-05020	4	SCREW 5*20	5*20	Sus. by 900162-05020	
9		900162-05020	4	BOLT, H.S. 5*20	5*20 W,SW		
10		E109-000000	1	LID,FANCASE			
11		900253-05016	2	SCREW	5*16		
12		900602-00008	1	WASHER 8	8.4*17*1.6	Disuse	
13		900256-05010	1	SCREW, TAPPING			
15		890160-09461	1	LABEL, CAUTION			
16		X508-000040	1	LABEL,NOISE	65DB(A)	Disuse	

## 6. Harness

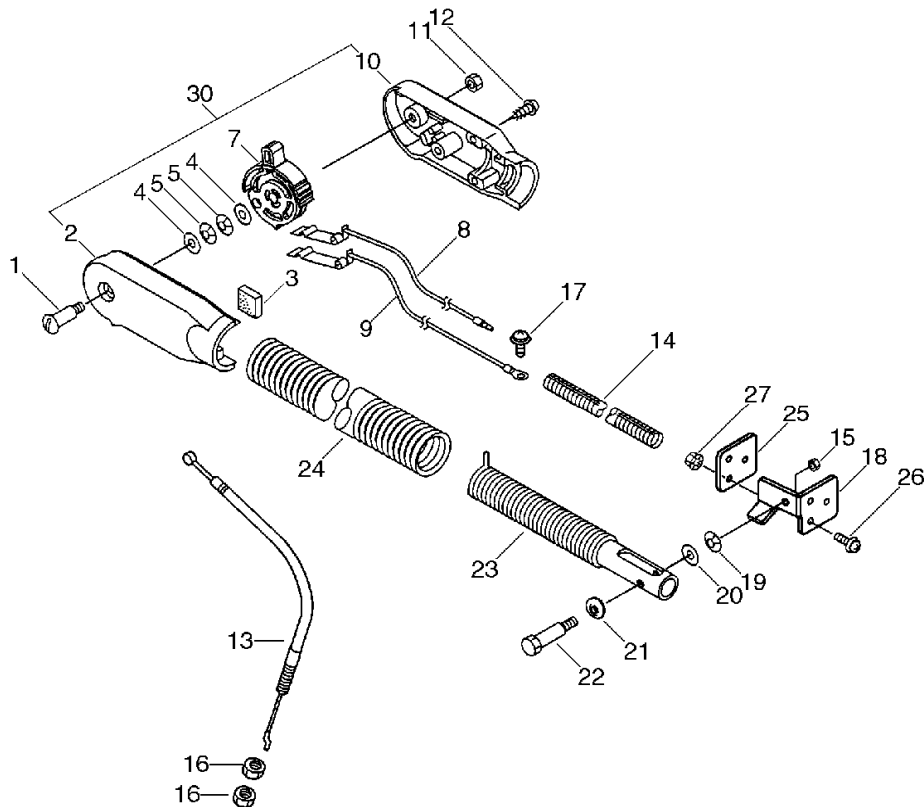
No.6



KEY	LV	PART NUMBER	Q'TY	DESCRIPTION	REMARKS	NOTE1	NOTE2
1		C620-000050	1	FRAME, BACKPACK		Sus. by C620-000051	
1		C620-000051	1	FRAME, BACKPACK			
2		104910-11410	3	CUSHION			
3		900515-00006	2	NUT, FLANGE 6	6		
4		250916-06210	3	NUT			
5		300105-08260	1	CUSHION, KNAPSACK	BL	Sus. by 300105-08261	
5		300105-08261	1	CUSHION, KNAPSACK			
6		300333-06160	4	CLIP		Sus. by V491-000120	
6		V491-000120	4	CLIP			
7		P021-001760	1	HARNESS, KNAPSACK		Sus. by P021-001761	
7		P021-001761	1	HARNESS, KNAPSACK			
8	+	91540-05014	2	SCREW, TRUSS			
9	+	300217-00610	4	WASHER			
10	+	900516-00005	2	NUT, FRANGE 5	5		

## 7. Hip Throttle

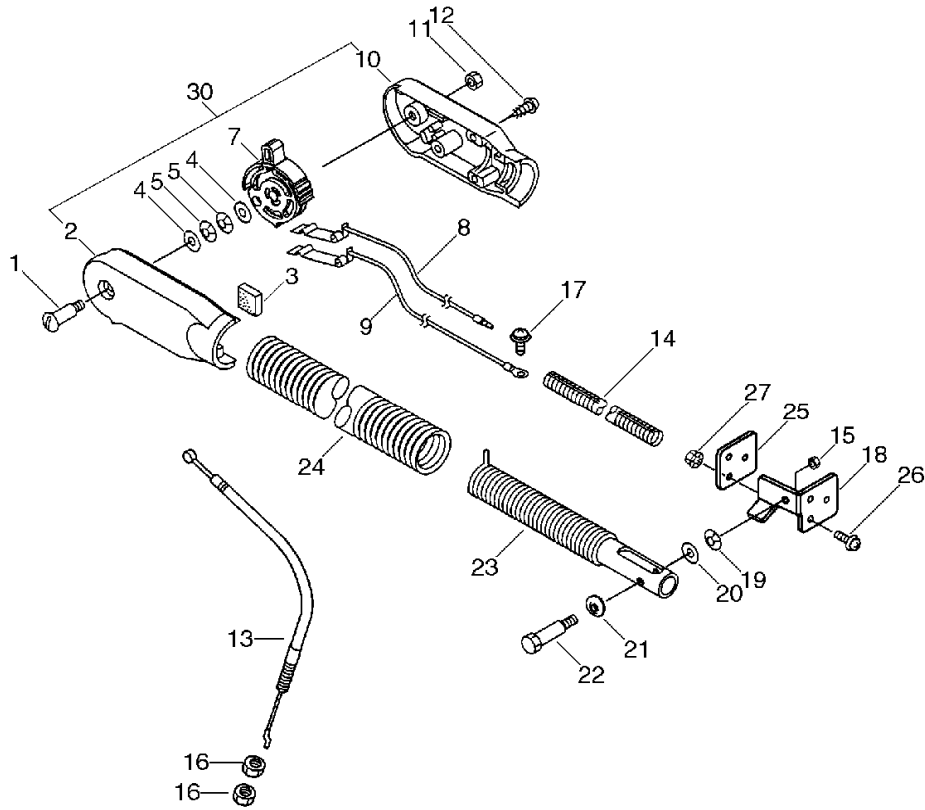
No.7



KEY	LV	PART NUMBER	Q'TY	DESCRIPTION	REMARKS	NOTE1	NOTE2
1		604030-21060	1	SCREW 4			
2		C471-000030	1	FIXTURE,TRIGGER		Sus. by P021-003010	
10		C471-000040	1	FIXTURE,TRIGGER		Sus. by P021-003010	
30		P021-003010	1	FIXTURE,TRIGGER SET			
2	+	C471-000050	1	FIXTURE,TRIGGER			
10	+	C471-000060	1	FIXTURE,TRIGGER			
3		104293-21060	1	PAD, FOAM	16*16*6T		
4		699118-04560	2	WASHER			
5		178160-21060	2	WASHER, FRICTION	6.6*14.3		
7		C453-000020	1	LEVER,THROTTLE		Sus. by C453-000021	
7		C453-000021	1	LEVER,THROTTLE			
8		V485-000060	1	LEAD			
9		V485-000121	1	LEAD	660.00 MM W/TERM		
11		900560-00004	1	LOCKNUT	4		
12		889950-21060	3	SCREW 5			
13		V430-000120	1	CABLE,BOWDEN			
14		162023-21061	1	TUBE			
15		900030-10008	1	NUT 1/4-20	1/4-20		
16		900502-00006	2	NUT 6 (3N)	3N6		
17		900238-05010	1	SCREW 5*10	5*10		
18		C625-000000	1	FIXTURE,B.FRAME			

# 7. Hip Throttle

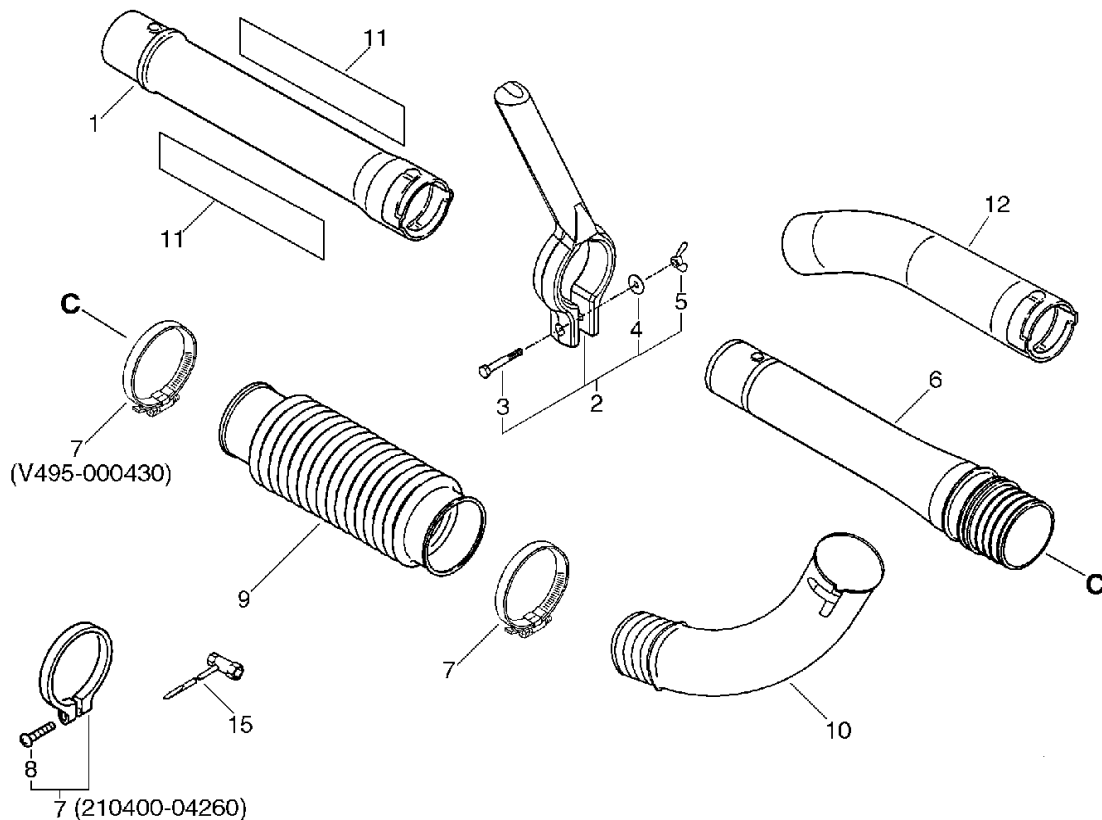
No.7



KEY	LV	PART NUMBER	Q'TY	DESCRIPTION	REMARKS	NOTE1	NOTE2
19		701017-21060	1	WASHER		Sus. by 701017-21061	
19		701017-21061	1	WASHER			
20		694029-21060	1	WASHER			
21		178129-21060	1	WASHER, WAVE			
22		432617-21060	1	BOLT 6			
23		V475-000920	1	TUBE			
24		V475-000910	1	TUBE			
25		C625-000010	1	FIXTURE, B.FRAME			
26		900238-05016	3	SCREW 5*16	5*16		
27		900516-00005	3	NUT, FRANGE 5	5		

## 8. Pipe, Tool

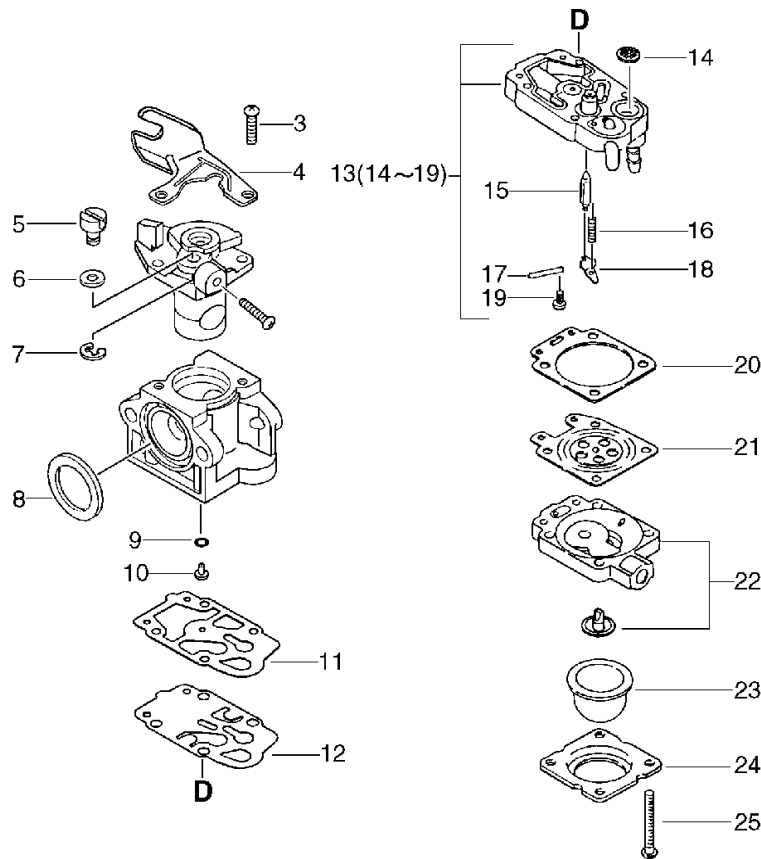
No.8



KEY	LV	PART NUMBER	Q'TY	DESCRIPTION	REMARKS	NOTE1	NOTE2
1		210015-03460	1	PIPE, STRAIGHT (BL)			
2		351300-09860	1	HANDLE ASY(PB-2) BL			
3	+	900100-06045	1	BOLT 6*45	6*45		
4	+	900600-00006	1	WASHER 6	6		
5	+	900525-00006	1	NUT, WING 6	BN6		
6		212005-07560	1	PIPE, BLOWER			
7		210400-04260	2	CLAMP W/SCREW		Sus. by V495-000430	
7		V495-000430	2	BAND	58.7MM / 82.5MM		
8	+	900235-05025	2	SCREW 5*25	5*25	Can be used on 210400-04260 only	
9		E164-000000	1	PIPE,FLEXIBLE			
10		E160-000041	1	PIPE,MAIN			
11		890118-04261	2	LABEL, ECHO		Sus. by 890118-04262	
11		890118-04262	2	LABEL, ECHO	194*44		
12		210023-03460	1	PIPE, CURVED (BL)			
15		895410-00430	1	WRENCH, W/S. DRIVER			

## 9. Carburetor

No.9



KEY	LV	PART NUMBER	Q'TY	DESCRIPTION	REMARKS	NOTE1	NOTE2
1		A021-000121	1	CARBURETOR,DIAPHRAGM	WYJ-257	Sus. by A021-000122	
1		A021-000122	1	CARBURETOR,DIAPHRAGM	WYJ-257A		
3	+	123114-40630	2	SCREW			
4	+	P003-000180	1	BRACKET CABLE			
5	+	123172-45130	1	SWIVEL			
6	+	123149-54230	1	WASHER			
7	+	123173-07930	1	CLIP			
8	+	123143-12110	1	RING, PACKING			
9	+	123183-40630	1	O-RING			
10	+	P003-000460	1	JET			
11	+	P003-000100	1	GASKET, PUMP			
12	+	123112-40630	1	DIAPHRAGM, PUMP			
13	+	P003-000440	1	BODY ASY, PUMP			
14	++	123126-10631	1	SCREEN, INLET			
15	++	123137-19830	1	VALVE, INLET NEEDLE			
16	++	P003-000450	1	SPRING, METER. LEVER			
17	++	123138-03930	1	PIN, METERING LEVER			
18	++	123123-03930	1	LEVER, METERING			
19	++	123139-05560	1	SCREW, M. LEVER PIN			
20	+	123140-05560	1	GASKET, M. DIAPHRAGM			
21	+	P003-000090	1	METERING, DIAPHRAGM			
22	+	123180-05560	1	BODY, AIR PURGE			
23	+	123181-40630	1	PUMP, PRIMER			
24	+	123142-05560	1	COVER, PRIMER PUMP			
25	+	123110-05560	4	SCREW, PUMP COVER			



## 10. Repair Kit

KEY	LV	PART NUMBER	Q'TY	DESCRIPTION	REMARKS	NOTE1	NOTE2
		P003-000190	1	REPAIR KIT	WYJ-250		
9-8	+	123143-12110	1	RING, PACKING			
9-12	+	123112-40630	1	DIAPHRAGM, PUMP			
9-14	+	123126-10631	1	SCREEN, INLET			
9-15	+	123137-19830	1	VALVE, INLET NEEDLE			
9-18	+	123123-03930	1	LEVER, METERING			
9-20	+	123140-05560	1	GASKET, M. DIAPHRAGM			
	+	123125-40630	1	GASKET, PUMP			
	+	123140-02960	1	GASKET, M. DIAPHRAGM			
	+	123141-03930	1	DIAPHRAGM, METERING			
	+	123159-40630	1	GASKET, PLATE			
		P003-000200	1	DIAPHRAGM/GASKET KIT	WYJ-250		
9-8	+	123143-12110	1	RING, PACKING			
9-12	+	123112-40630	1	DIAPHRAGM, PUMP			
9-20	+	123140-05560	1	GASKET, M. DIAPHRAGM			
	+	123125-40630	1	GASKET, PUMP			
	+	123140-02960	1	GASKET, M. DIAPHRAGM			
	+	123141-03930	1	DIAPHRAGM, METERING			
	+	123159-40630	1	GASKET, PLATE			

**Index**

<b>Patrs Number</b>	<b>Key No.</b>	<b>Patrs Number</b>	<b>Key No.</b>	<b>Patrs Number</b>	<b>Key No.</b>
100014-55930	1 - 10	130406-52131	3 - 2	890118-04262	8 - 11
100015-04630	1 - 9	131004-55530	4 - 1	890160-06361	1 - 21
100132-05660	5 - 6	131016-55830	4 - 2	890160-09461	5 - 15
100212-28230	1 - 18	131051-56030	4 - 3	890332-52730	3 - 3
100213-05530	1 - 14	131205-19830	4 - 17	895410-00430	8 - 15
100242-55930	1 - 17	131300-56430	4 - 10	900030-10008	7 - 15
104293-21060	7 - 3	131328-40630	4 - 11	900100-06045	8 - 3
104910-11410	6 - 2	132010-14010	4 - 14	900105-05012	2 - 21
123110-05560	9 - 25	132013-26630	4 - 16	900105-05060	3 - 23
123112-40630	10 - 9-12	132115-55930	4 - 15	900106-05025	3 - 11
123112-40630	10 - 9-12	145510-42032	3 - 14	900162-05016	2 - 28
123112-40630	9 - 12	145862-40630	3 - 16	900162-05016	3 - 24
123114-40630	9 - 3	156112-40630	2 - 33	900162-05020	5 - 9
123123-03930	10 - 9-18	159010-10230	2 - 32	900162-05022	1 - 4
123123-03930	9 - 18	159011-03432	2 - 31	900162-05025	1 - 19
123125-40630	10 -	159012-03433	2 - 30	900163-04016	2 - 23
123125-40630	10 -	162023-21061	7 - 14	900235-05025	8 - 8
123126-10631	10 - 9-14	177202-40630	2 - 35	900238-05010	7 - 17
123126-10631	9 - 14	177214-02830	2 - 20	900238-05016	7 - 26
123137-19830	10 - 9-15	177218-40630	2 - 37	900242-04010	3 - 21
123137-19830	9 - 15	177218-40630	2 - 37	900242-05010	1 - 1
123138-03930	9 - 17	177226-10120	2 - 14	900242-05020	5 - 9
123139-05560	9 - 19	177227-42030	2 - 7	900242-05060	3 - 5
123140-02960	10 -	177228-27030	2 - 6	900253-05016	5 - 1
123140-02960	10 -	177234-40630	2 - 36	900253-05016	5 - 11
123140-05560	10 - 9-20	177234-40630	2 - 36	900253-05020	1 - 22
123140-05560	10 - 9-20	178129-21060	7 - 21	900253-05020	2 - 25
123140-05560	9 - 20	178160-21060	7 - 5	900253-05020	5 - 3
123141-03930	10 -	200124-09560	5 - 2	900256-05010	5 - 13
123141-03930	10 -	210015-03460	8 - 1	900500-00008	5 - 5
123142-05560	9 - 24	210023-03460	8 - 12	900502-00006	7 - 16
123143-12110	10 - 9-8	210400-04260	8 - 7	900502-00008	2 - 39
123143-12110	10 - 9-8	212005-07560	8 - 6	900515-00006	6 - 3
123143-12110	9 - 8	250916-06210	6 - 4	900516-00005	6 - 10
123149-54230	9 - 6	300105-08260	6 - 5	900516-00005	7 - 27
123159-40630	10 -	300105-08261	6 - 5	900525-00006	8 - 5
123159-40630	10 -	300217-00610	6 - 9	900560-00004	7 - 11
123172-45130	9 - 5	300333-06160	6 - 6	900600-00005	3 - 22
123173-07930	9 - 7	351300-09860	8 - 2	900600-00006	8 - 4
123180-05560	9 - 22	432617-21060	7 - 22	900602-00008	5 - 12
123181-40630	9 - 23	437210-15130	4 - 13	900700-00004	2 - 12
123183-40630	9 - 9	437217-20760	4 - 12	900700-00004	2 - 38
129011-57730	3 - 6	604030-21060	7 - 1	900700-00004	2 - 38
129011-57731	3 - 6	694029-21060	7 - 20	900702-00028	1 - 16
130010-13410	3 - 9	699118-04560	7 - 4	900800-36001	1 - 15
130010-55930	3 - 12	701017-21060	7 - 19	91367-04010	3 - 21
130307-57730	3 - 7	701017-21061	7 - 19	91540-05014	6 - 8
130310-51830	3 - 4	889950-21060	7 - 12	A011-000030	1 - 12
130406-52130	3 - 2	890118-04261	8 - 11	A011-000031	1 - 12

**Index**

<b>Patrs Number</b>	<b>Key No.</b>	<b>Patrs Number</b>	<b>Key No.</b>	<b>Patrs Number</b>	<b>Key No.</b>
A021-000121	3 - 8	E103-000040	5 - 8	V641-000040	2 - 12
A021-000121	9 - 1	E103-000050	5 - 4	X502-000030	2 - 24
A021-000122	3 - 8	E109-000000	5 - 10	X502-000031	2 - 24
A021-000122	9 - 1	E160-000041	8 - 10	X502-000032	2 - 24
A051-000050	2 - 5	E164-000000	8 - 9	X502-000240	2 - 24
A051-000052	2 - 5	P003-000090	9 - 21	X503-001870	1 - 24
A051-000053	2 - 5	P003-000100	9 - 11	X505-000620	2 - 40
A051-000054	2 - 5	P003-000180	9 - 4	X508-000040	5 - 16
A051-000055	2 - 5	P003-000190	10 -		
A051-000056	2 - 5	P003-000200	10 -		
A051-000057	2 - 5	P003-000440	9 - 13		
A052-000030	2 - 35	P003-000450	9 - 16		
A053-000030	2 - 18	P003-000460	9 - 10		
A053-000031	2 - 18	P021-000940	1 - 13		
A101-000010	1 - 7	P021-000941	1 - 13		
A130-000122	1 - 3	P021-001481	3 - 13		
A160-000120	1 - 2	P021-001482	3 - 13		
A190-000011	1 - 20	P021-001680	1 - 6		
A200-000021	3 - 10	P021-001760	6 - 7		
A232-000040	3 - 1	P021-001761	6 - 7		
A232-000041	3 - 1	P021-002360	1 - 6		
A313-000080	3 - 20	P021-002420	2 - 17		
A313-000110	3 - 19	P021-002421	2 - 17		
A350-000022	4 - 7	P021-002422	2 - 17		
A350-000023	4 - 7	P021-003010	7 - 30		
A356-000030	4 - 10	P021-004020	2 - 17		
A409-000020	2 - 26	V100-000010	1 - 5		
A411-000010	2 - 29	V104-000032	3 - 17		
A503-000000	2 - 8	V104-000041	3 - 15		
A503-000010	2 - 8	V104-000051	3 - 18		
A504-000000	2 - 10	V104-000350	3 - 18		
A504-000001	2 - 10	V253-000060	2 - 21		
A506-000010	2 - 13	V355-000080	2 - 11		
A514-000010	2 - 15	V376-000170	2 - 22		
A520-000020	2 - 19	V420-000270	4 - 8		
A520-000021	2 - 19	V420-000280	4 - 6		
A520-000023	2 - 19	V420-000390	4 - 5		
C453-000020	7 - 7	V430-000120	7 - 13		
C453-000021	7 - 7	V450-000130	2 - 16		
C471-000030	7 - 2	V475-000910	7 - 24		
C471-000040	7 - 10	V475-000920	7 - 23		
C471-000050	7 - 2	V485-000040	2 - 34		
C471-000060	7 - 10	V485-000060	7 - 8		
C620-000050	6 - 1	V485-000121	7 - 9		
C620-000051	6 - 1	V491-000120	6 - 6		
C625-000000	7 - 18	V495-000430	8 - 7		
C625-000010	7 - 25	V553-000000	1 - 11		
E100-000020	5 - 7	V553-000020	1 - 11		
E101-000000	2 - 27	V606-000000	1 - 8		

# YAMABIKO CORPORATION

7-2 SUEHIROCHO 1-CHOME, OHME, TOKYO 198-8760, JAPAN  
PHONE: 81-428-32-6118. FAX: 81-428-32-6145.

**ECHO**®



60LS  
No.