



---

**OPTIONAL ATTACHMENTS & ACCESSORIES**

**Accessories**

900500 Static Protection Kit

99944100003 Tube Mount Throttle Kit

**PARTS CATALOG**

**PB-650 Power Blower**

**63.3cc**

**SERIAL NUMBERS**

---

S/N: 03001001 - 03999999

---

***ECHO, INCORPORATED***

400 Oakwood Road Lake Zurich, Illinois 60047 USA

WWW.ECHO-USA.COM



# Table of Contents

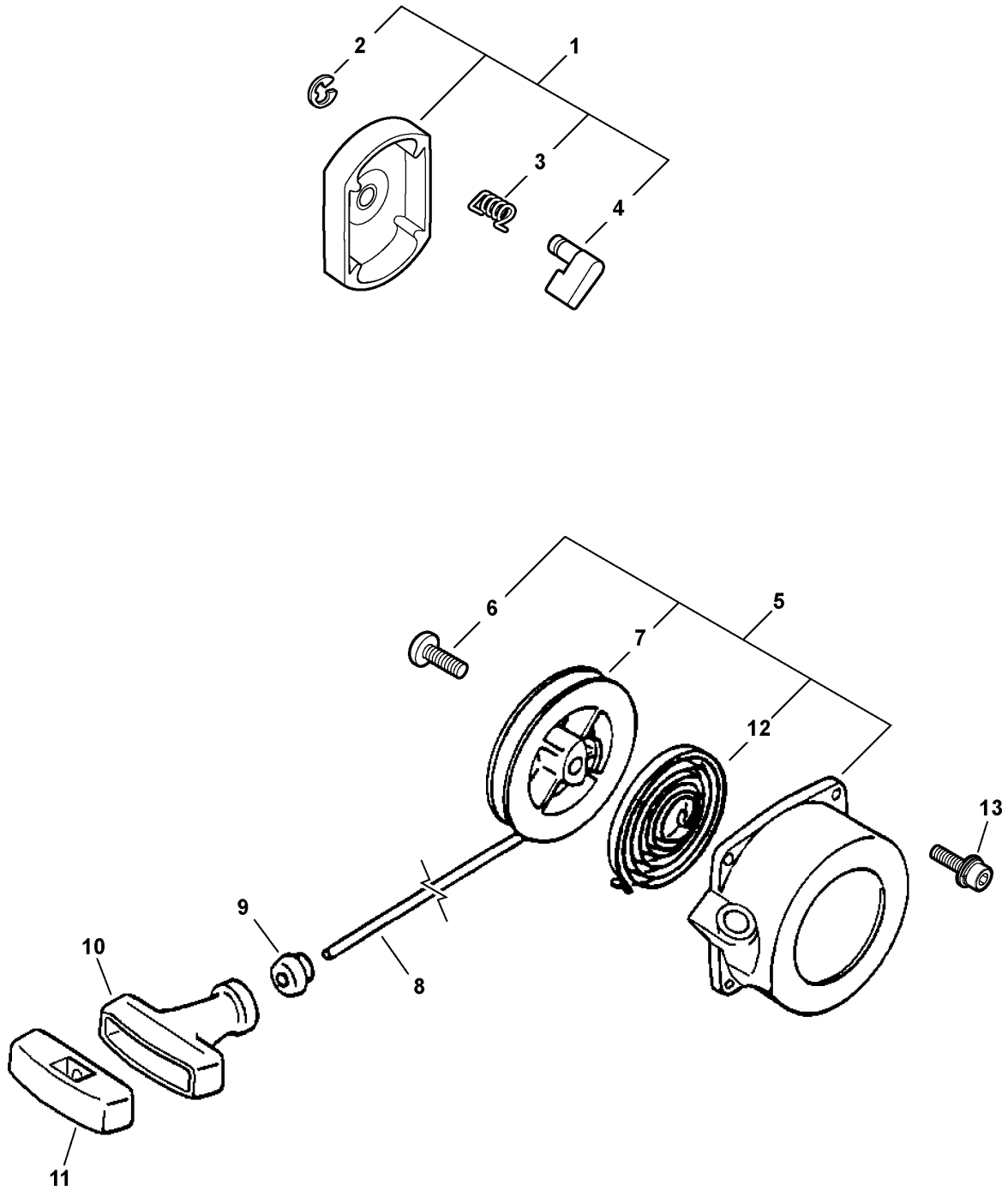
---

Click Any Diagram Description Below To View That Diagram.

## **PB-650 S/N: 03001001 - 03999999**

<b>Starter.....</b>	<b>4</b>
<b>Fuel System.....</b>	<b>6</b>
<b>Intake.....</b>	<b>8</b>
<b>Carburetor -- WYK-150.....</b>	<b>10</b>
<b>Blower Tubes.....</b>	<b>12</b>
<b>Leaf Guard, Fan Case, Engine Cover.....</b>	<b>14</b>
<b>Exhaust.....</b>	<b>16</b>
<b>Ignition, Flywheel, Blower Fan.....</b>	<b>18</b>
<b>Engine, Short Block -- SB1058.....</b>	<b>20</b>
<b>Hip Mount Throttle.....</b>	<b>22</b>
<b>Backpack Frame, Harness.....</b>	<b>24</b>
<b>Labels.....</b>	<b>26</b>
<b>Gasket Kit.....</b>	<b>28</b>
<b>RePower Tune-Up Kit.....</b>	<b>30</b>
<b>Part Number Index.....</b>	<b>32</b>
<b>Part Description Index.....</b>	<b>33</b>

***This Page Intentionally Left Blank***

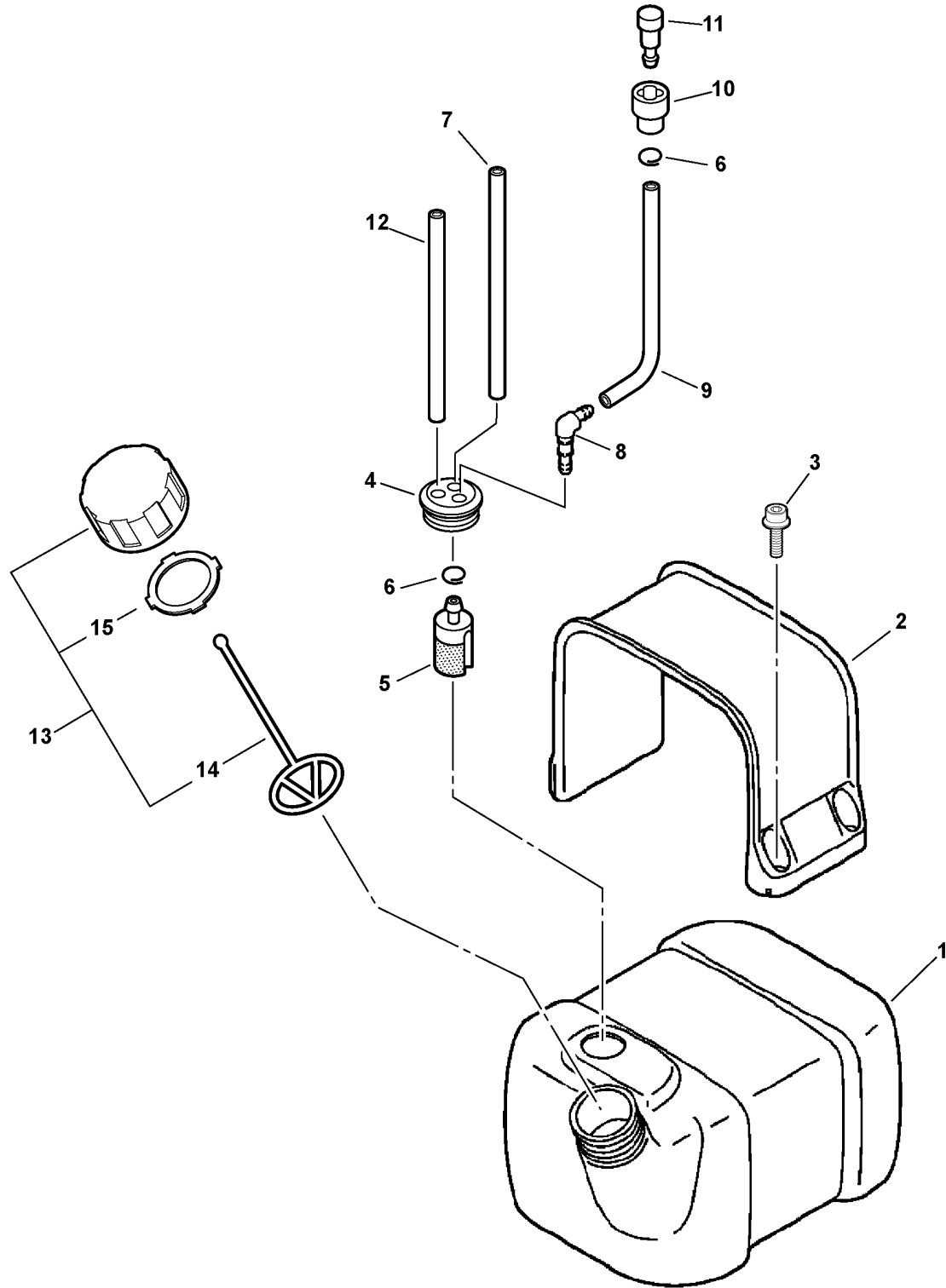


004 0005 000

ITEM	PART NUMBER	QTY	DESCRIPTION	REMARKS
1	A052000041	1	STARTER PAWL ASY	INCLUDES ITEMS 2-4
2	P022002100	2	E-RING	
3	P022003130	2	SPRING, RETURN	
4	P022003120	2	PAWL, STARTER	
5	A051000201	1	STARTER, RECOIL	INCLUDES ITEMS 6-12
6	17723606910	1	SCREW	
7	P022002080	1	DRUM, STARTER	
8	17722606310	1	ROPE, STARTER - 3.5X 1000mm <sup>1</sup>	REPOWER BULK OPTION: 99944445000
9	17722742030	1	GUIDE, ROPE	
10	17722811620	1	GRIP, STARTER	
11	P022010260	1	RETAINER, ROPE	
12	17722006310	1	SPRING, REWIND	
13	90010605014	4	SCREW 5X14	

**Footnotes**

1: BULK OPTION: 99944445000



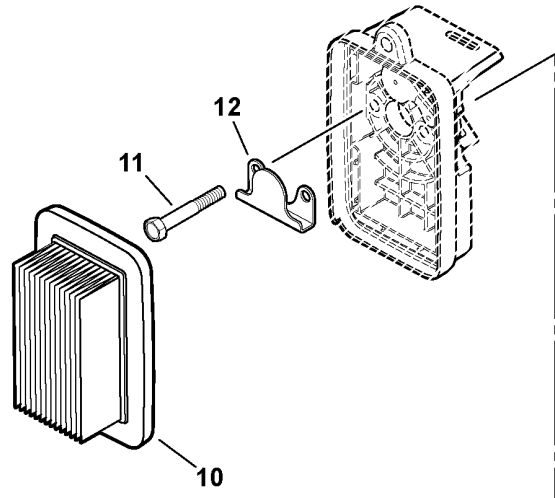
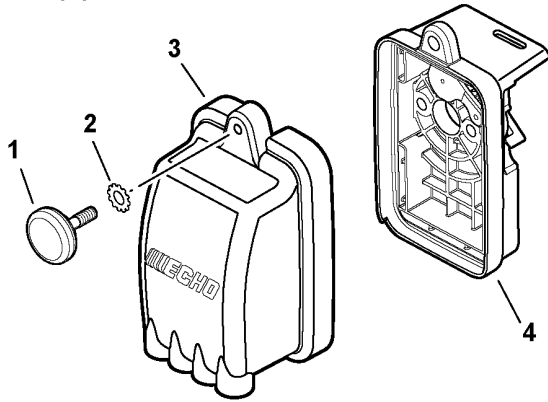
002 0005 000

ITEM	PART NUMBER	QTY	DESCRIPTION	REMARKS
1	A350000151	1	TANK, FUEL	
2	A392000000	1	COVER, FUEL TANK	
3	90010605014	4	SCREW 5X14	
4	13211555930	1	GROMMET	
5	13120519830	1	FILTER, FUEL	
6	13201326630	2	CLIP	
7	13201035430	1	PIPE, FUEL - 3X6X230mm	REPOWER BULK OPTION: 90015
8	V186000080	1	CONNECTOR	
9	V471000610	1	PIPE, VENT - 3X6X145mm	REPOWER BULK OPTION: 90015
10	13132840630	1	COVER, VENT	
11	A356000030	1	VENT ASY	
12	V471000550	1	PIPE, RETURN - 3X6X145mm <sup>1</sup>	
13	13100455530	1	CAP ASY	INCLUDES ITEMS 14-15
14	13105156030	1	CONNECTOR, FUEL CAP	
15	13101655830	1	GASKET, FUEL CAP	

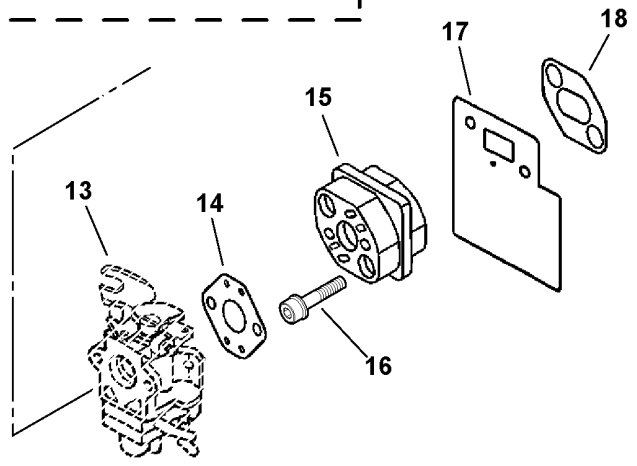
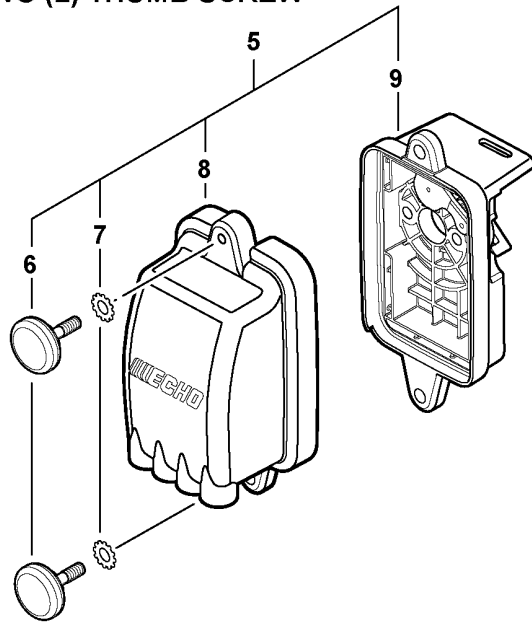
**Footnotes**

1: OPTIONAL BULK LINE 90017

ONE (1) THUMB SCREW



TWO (2) THUMB SCREW



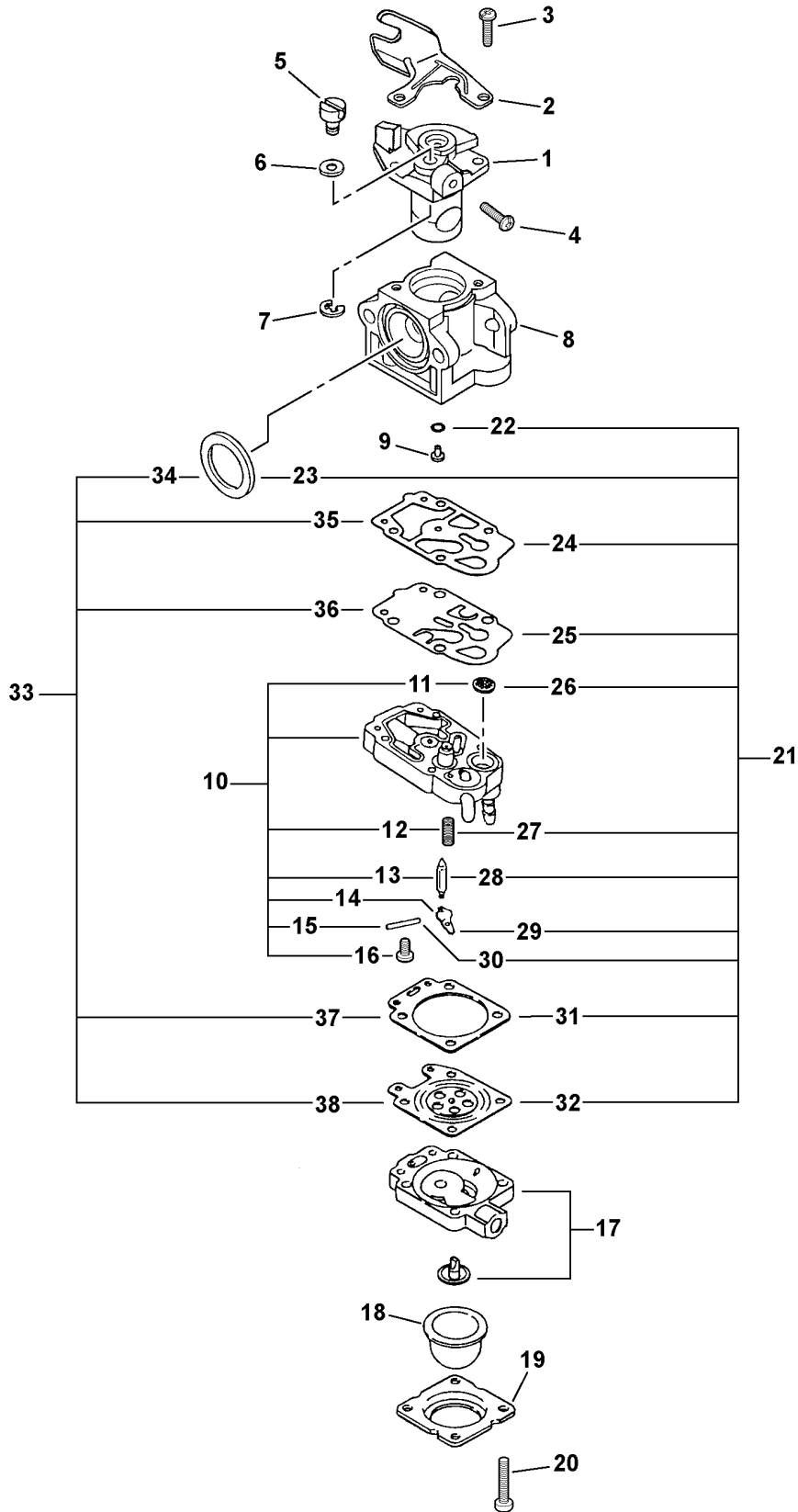
005 0005 00C



ITEM	PART NUMBER	QTY	DESCRIPTION	REMARKS
1	V299000290	1	THUMB SCREW	
2	V340000210	1	LOCK WASHER	
3	-----	1	LID, AIR CLEANER	Item No Longer Available. Use Kit P021014430
4	-----	1	AIR CLEANER CASE ASY	Item No Longer Available. Use Kit P021014430
5	P021014430	1	AIR CLEANER KIT	INCLUDES ITEMS 6-9
6	V299000290	2	THUMB SCREW	
7	V340000210	2	LOCK WASHER	
8	A232000081	1	LID, AIR CLEANER	
9	P021002522	1	AIR CLEANER CASE ASY	
10	A226000032	1	FILTER, AIR <sup>1</sup>	
11	90010505055	2	SCREW 5X55	
12	A244000040	1	PLATE, PREVENT	
13	-----	1	CARBURETOR	See Carburetor Diagram for Additional Information
14	V103000080	1	GASKET, INTAKE <sup>2</sup>	
15	A200000070	1	INSULATOR, INTAKE	
16	90010605025	2	SCREW 5X25	
17	V103000130	1	SHIELD, INTAKE <sup>2</sup>	
18	V103000140	1	GASKET, INTAKE <sup>2</sup>	

**Footnotes**

- 1: Also Included In REPOWER TUNE-UP KIT
- 2: Also Included In GASKET KIT

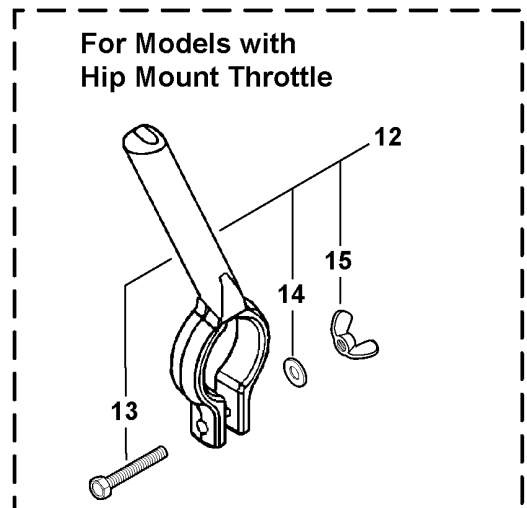
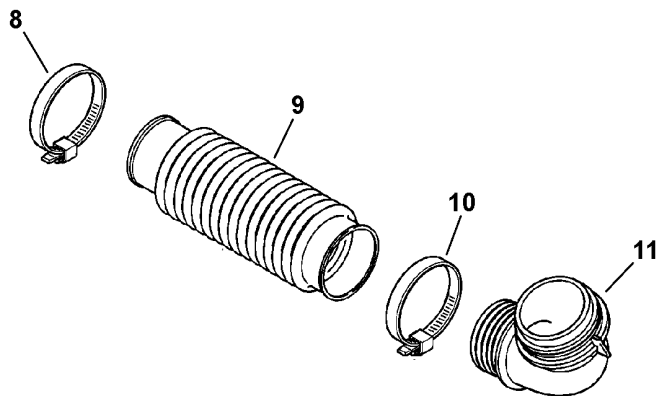
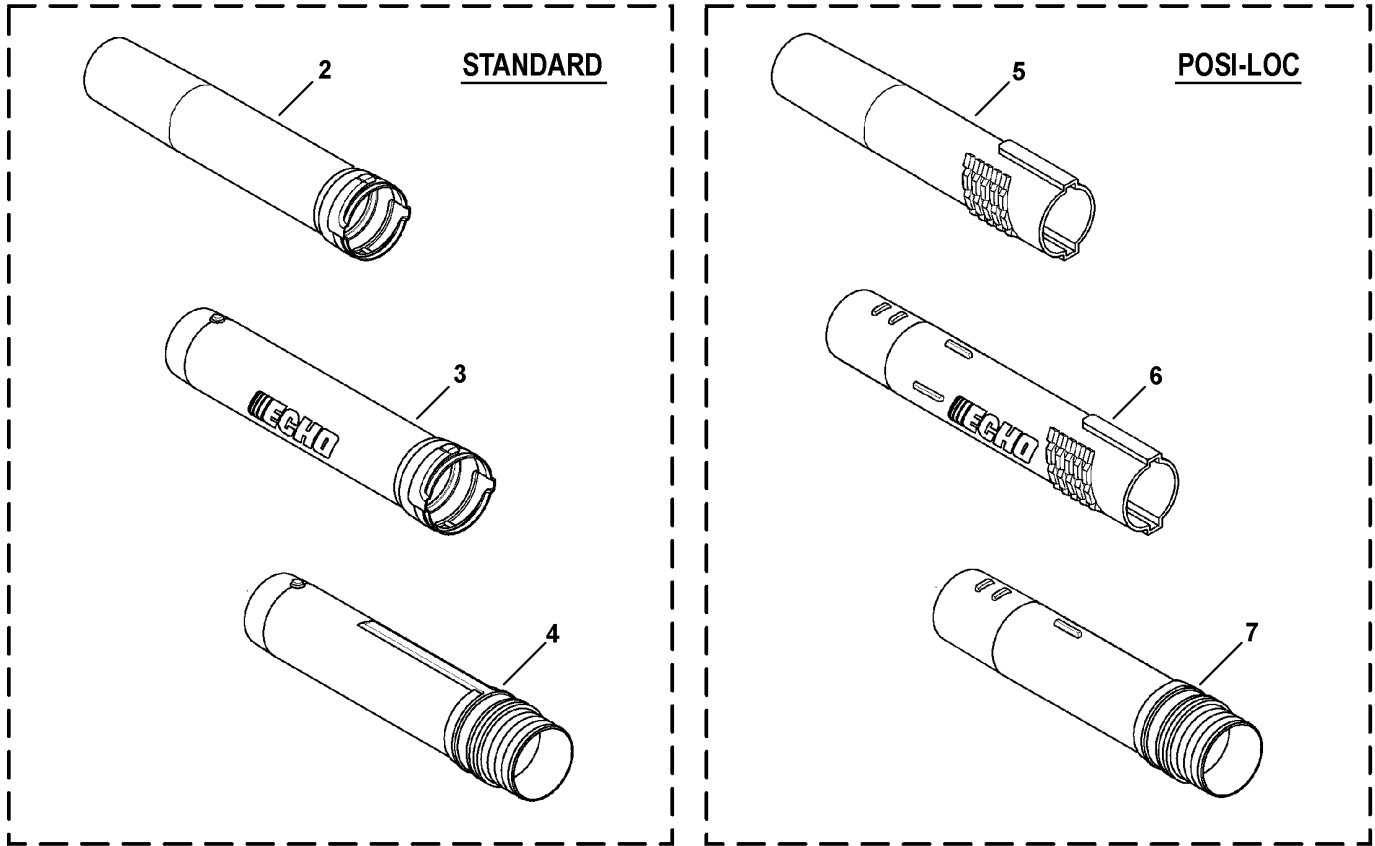
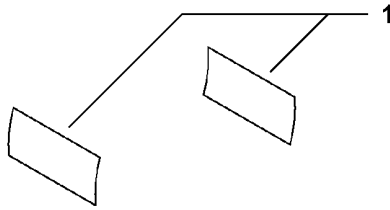


WYK150 0001 000

ITEM	PART NUMBER	QTY	DESCRIPTION	REMARKS
	A021000310	1	CARBURETOR -- WYK-150	
<b>1</b>	-----	1	THROTTLE VALVE ASY <sup>1</sup>	
<b>2</b>	P003000180	1	BRACKET, CABLE	
<b>3</b>	12311440630	2	SCREW, CABLE BRACKET	
<b>4</b>	12313440030	1	SCREW, IDLE ADJUST	
<b>5</b>	12317245130	1	SWIVEL	
<b>6</b>	12314954230	1	WASHER	
<b>7</b>	12317307930	1	CLIP, SWIVEL	
<b>8</b>	-----	1	BODY, CARBURETOR <sup>1</sup>	
<b>9</b>	P003000640	1	JET	
<b>10</b>	P003000630	1	PUMP BODY ASY	INCLUDES ITEMS 11-16
<b>11</b>	-----	1	SCREEN, INLET	
<b>12</b>	-----	1	SPRING, METERING LEVER	
<b>13</b>	-----	1	VALVE, INLET NEEDLE	
<b>14</b>	-----	1	LEVER, METERING	
<b>15</b>	-----	1	PIN, METERING LEVER	
<b>16</b>	12313905560	1	SCREW, METERING LEVER PIN	
<b>17</b>	12318005560	1	BODY, AIR PURGE	
<b>18</b>	12318140630	1	BULB, PURGE	
<b>19</b>	12314205560	1	COVER, PURGE PUMP	
<b>20</b>	12311005560	4	SCREW, PURGE PUMP COVER	
<b>21</b>	P003000660	1	REPAIR KIT	INCLUDES ITEMS 22-32
<b>22</b>	12318305960	1	O-RING	
<b>23</b>	-----	1	RING, PACKING	
<b>24</b>	-----	1	GASKET, PUMP	
<b>25</b>	-----	1	DIAPHRAGM, PUMP	
<b>26</b>	-----	1	SCREEN, INLET	
<b>27</b>	-----	1	SPRING, METERING LEVER	
<b>28</b>	-----	1	VALVE, INLET NEEDLE	
<b>29</b>	-----	1	LEVER, METERING	
<b>30</b>	-----	1	PIN, METERING LEVER	
<b>31</b>	-----	1	GASKET, METERING DIAPHRAGM	
<b>32</b>	-----	1	METERING, DIAPHRAGM	
<b>33</b>	P003000650	1	GASKET/DIAPHRAGM KIT	INCLUDES ITEMS 34-38
<b>34</b>	-----	1	RING, PACKING	
<b>35</b>	-----	1	GASKET, PUMP	
<b>36</b>	-----	1	DIAPHRAGM, PUMP	
<b>37</b>	-----	1	GASKET, METERING DIAPHRAGM	
<b>38</b>	-----	1	METERING, DIAPHRAGM	

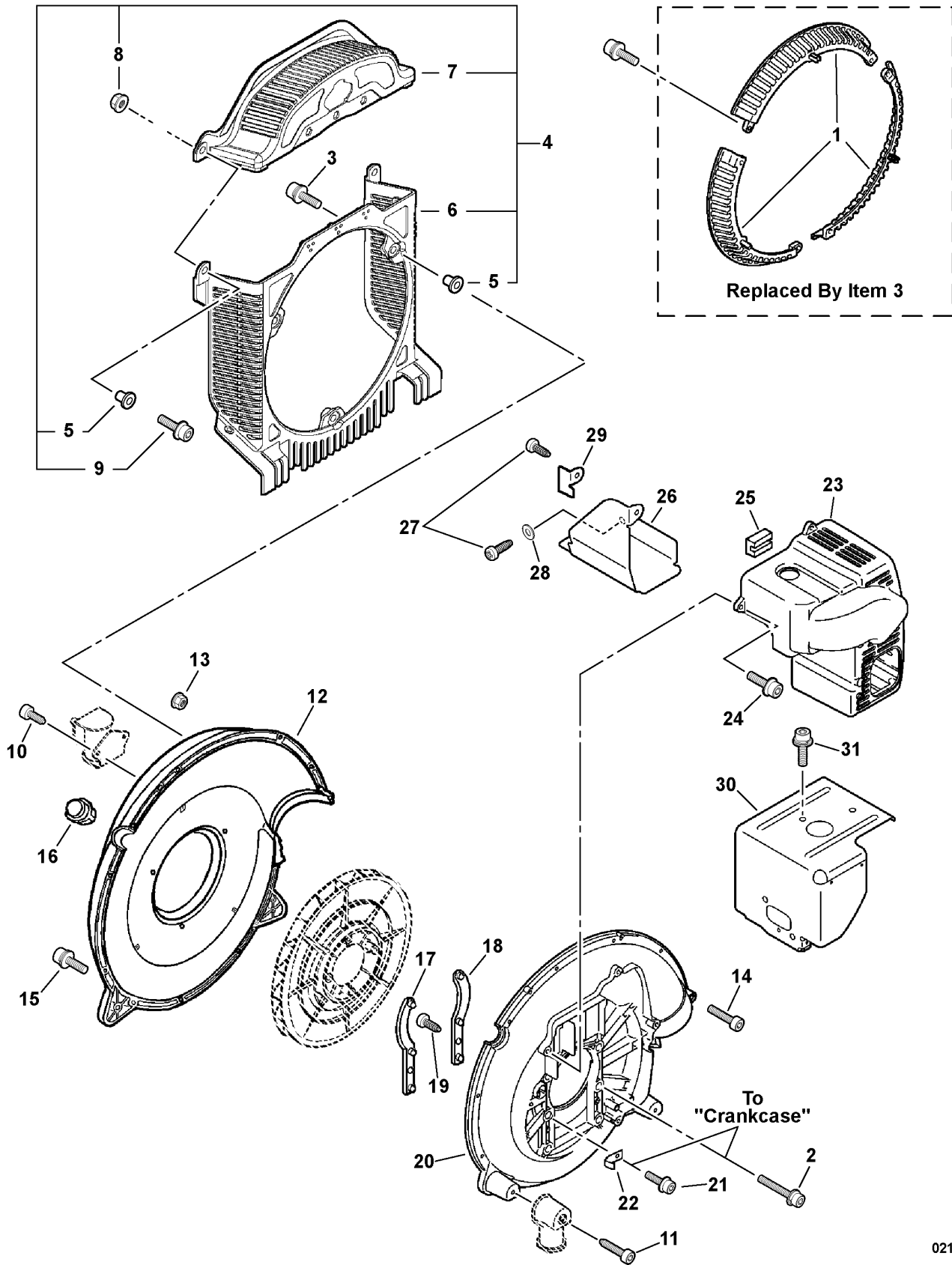
**Footnotes**

1: NOT AVAILABLE SEPARATELY



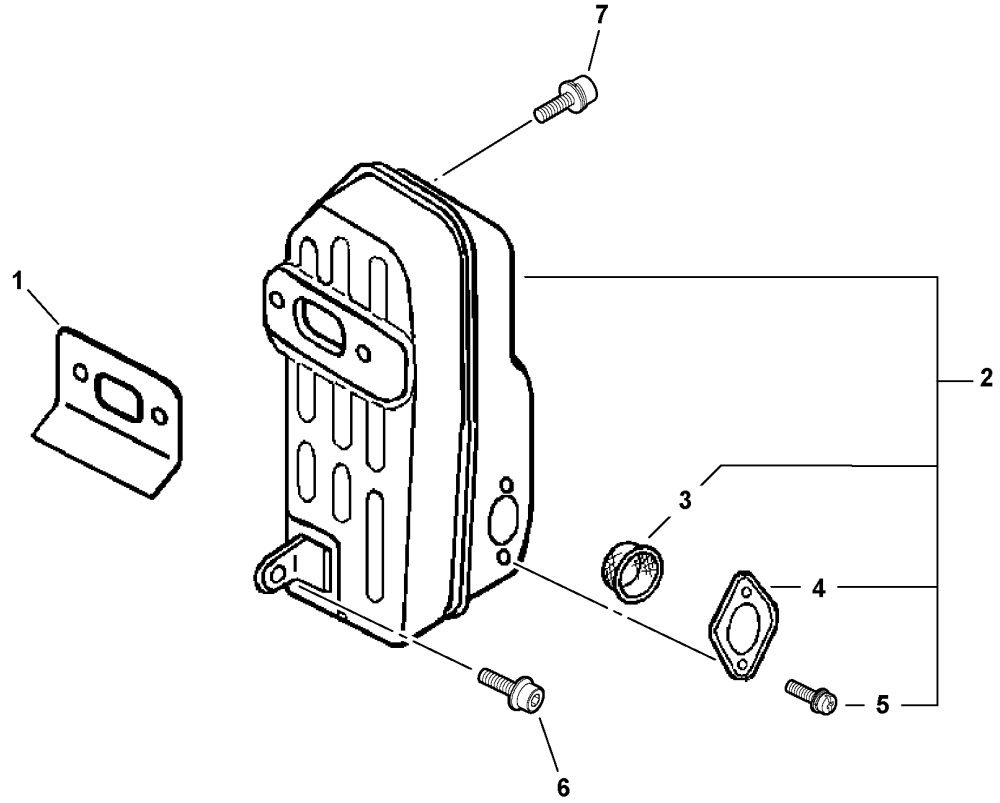
020 0001 000

ITEM	PART NUMBER	QTY	DESCRIPTION	REMARKS
1	X502000060	2	LABEL, ECHO	
2	E165000110	1	TUBE, BLOWER - NOZZEL	
3	E165000020	1	TUBE, BLOWER - STRAIGHT	
4	E165000010	1	TUBE, BLOWER - SWIVEL	
5	E165000150	1	TUBE, BLOWER - NOZZEL	
6	E165000140	1	TUBE, BLOWER - STRAIGHT	
7	E165000130	1	TUBE, BLOWER - SWIVEL	
8	V495000430	1	CLAMP	
9	E164000051	1	TUBE, BLOWER - FLEXIBLE	
10	V495000440	1	CLAMP	
11	E160000091	1	TUBE, BLOWER - ELBOW	
12	001106	1	BLOWER TUBE HELPER HANDLE	INCLUDES ITEMS 13-15
13	90010006045	1	BOLT 6X45	
14	90060000006	1	WASHER 6	
15	90052500006	1	WING NUT 6	



021 0001 000

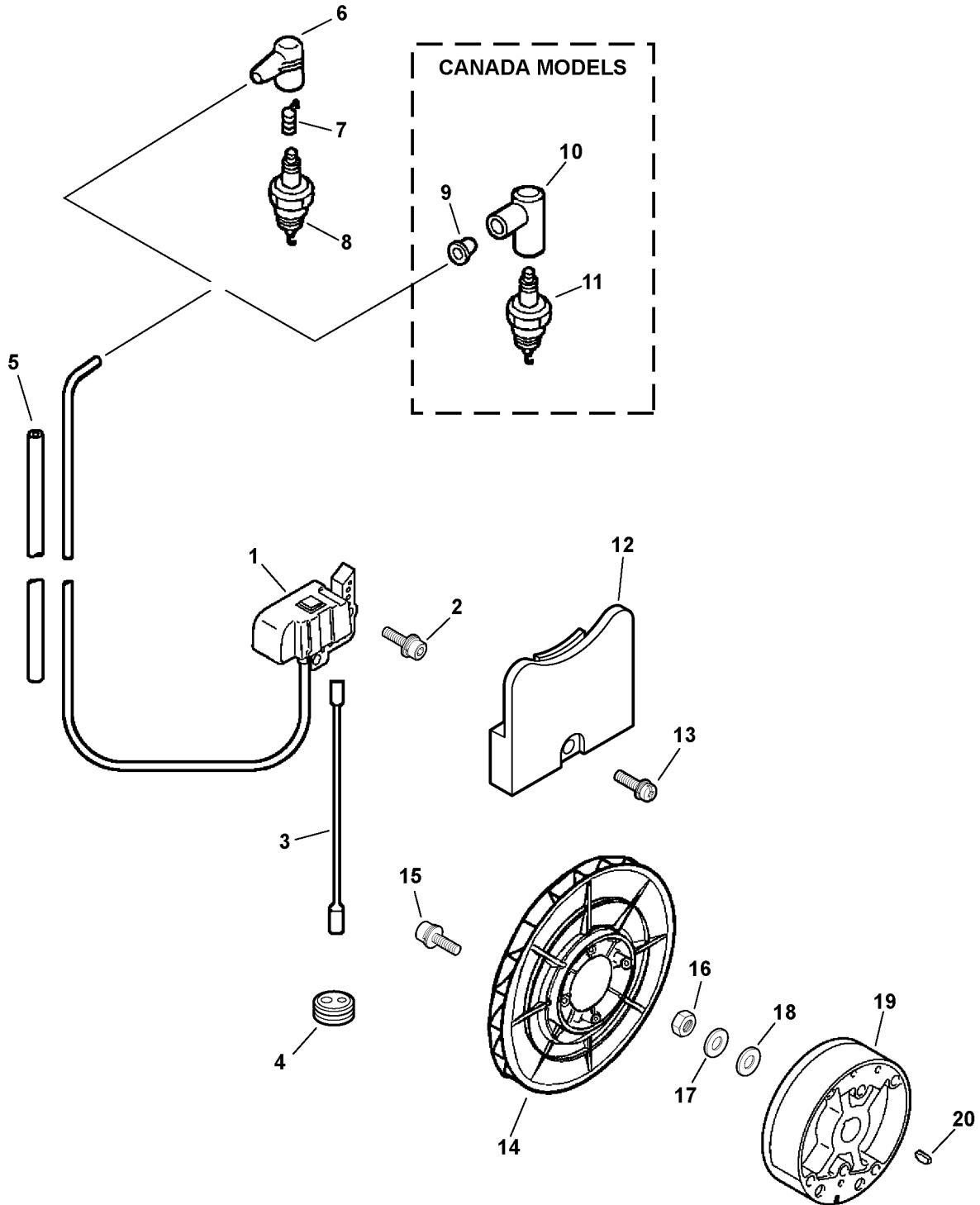
ITEM	PART NUMBER	QTY	DESCRIPTION	REMARKS
1	-----	3	GRID, BLOWER	
2	90016206035	6	SCREW 6X35	
3	9114505020	3	SCREW 5X20	
4	P021005140	1	LEAF GUARD KIT	
5	10491508260	7	COLLAR	
6	E104000050	1	GRID, BLOWER - LOWER	
7	E104000040	1	GRID, BLOWER - UPPER	
8	90056250005	4	FLANGE NUT 5	
9	90010605020	4	SCREW 5X20	
10	9114505016	2	SCREW 5X16	
11	9114505016	2	SCREW 5X16	
12	E103000141	1	CASE, FAN - FRONT	
13	90051600005	2	FLANGE NUT 5	
14	90010505060	2	SCREW 5X60	
15	9114505020	12	SCREW 5X20	
16	E109000010	1	PLUG, FAN CASE	
17	C632000041	1	PLATE, ENGINE	
18	C632000051	1	PLATE, ENGINE	
19	90024605014	2	SCREW 5X14	
20	E103000132	1	CASE, FAN - REAR	
21	9114505016	1	SCREW 5X16	
22	17811122330	1	CLIP	
23	A190000111	1	COVER, ENGINE	
24	9114505020	4	SCREW 5X20	
25	V420000570	1	CUSHION	
26	A322000020	1	INSULATOR, MUFFLER	
27	90025305010	2	SCREW 5X10	
28	90060300005	1	WASHER 5	
29	V152000770	1	PLATE, ANGLE	
30	A160000340	1	COVER, CYLINDER	
31	90010605008	2	SCREW 5X8	



006 0006 000



ITEM	PART NUMBER	QTY	DESCRIPTION	REMARKS
1	V104000250	1	GASKET, EXHAUST	
2	P021003000	1	MUFFLER ASY	INCLUDES ITEMS 3-5
3	A310000000	1	SCREEN	
4	A313000310	1	GUIDE, EXHAUST	
5	9136704010	2	SCREW 4X10	
6	90010605014	1	SCREW 5X14	
7	9110706020	2	SCREW 6X20	

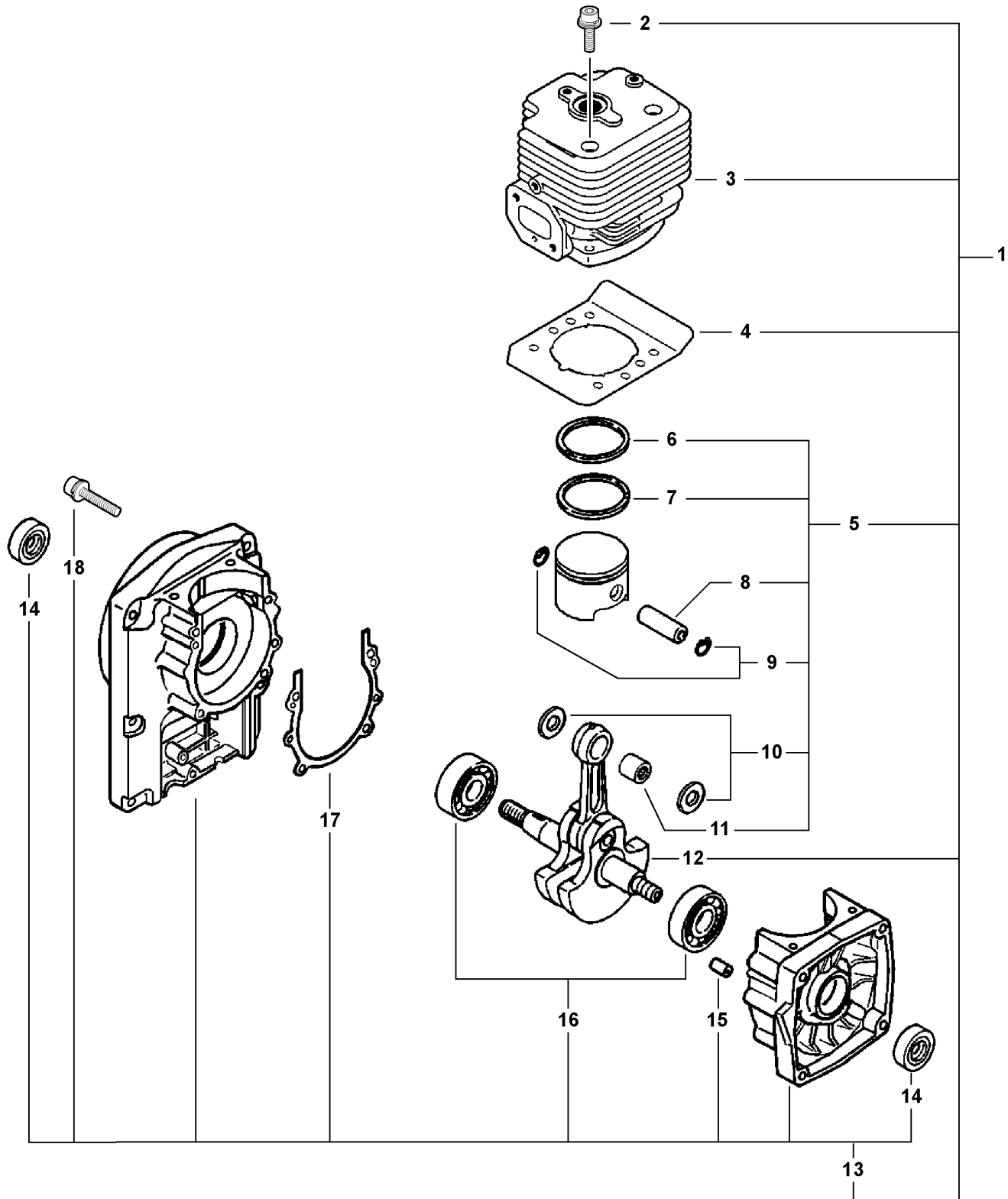


007 0004 000

ITEM	PART NUMBER	QTY	DESCRIPTION	REMARKS
1	A41500000	1	CD IGNITION MODULE	
2	90016205018	2	SCREW 5X18	
3	V485000190	1	LEAD	
4	15111204630	1	GROMMET	
5	15611106160	1	TUBE, VINYL	
6	15901203433	1	CAP, SPARK PLUG	
7	15901103432	1	TERMINAL, SPARK PLUG CAP	
8	15901019830	1	SPARK PLUG -- BPM-8Y	
9	15901605330	1	ADAPTOR, SPARK PLUG CAP <sup>1</sup>	
10	15901210230	1	CAP, SPARK PLUG <sup>1</sup>	
11	A425000000	1	SPARK PLUG -- BPMR-8Y <sup>1</sup>	
12	15912908260	1	COVER, DUST	
13	90016205022	1	SCREW 5X22	
14	E100000040	1	FAN, BLOWER	
15	90010605030	4	SCREW 5X30	
16	90050100010	1	NUT 10	
17	90060500010	1	SPRING WASHER	
18	90060200010	1	WASHER 10	
19	A409000110	1	FLYWHEEL	
20	90032303014	1	WOODRUFF KEY	

**Footnotes**

1: CANADA MODELS

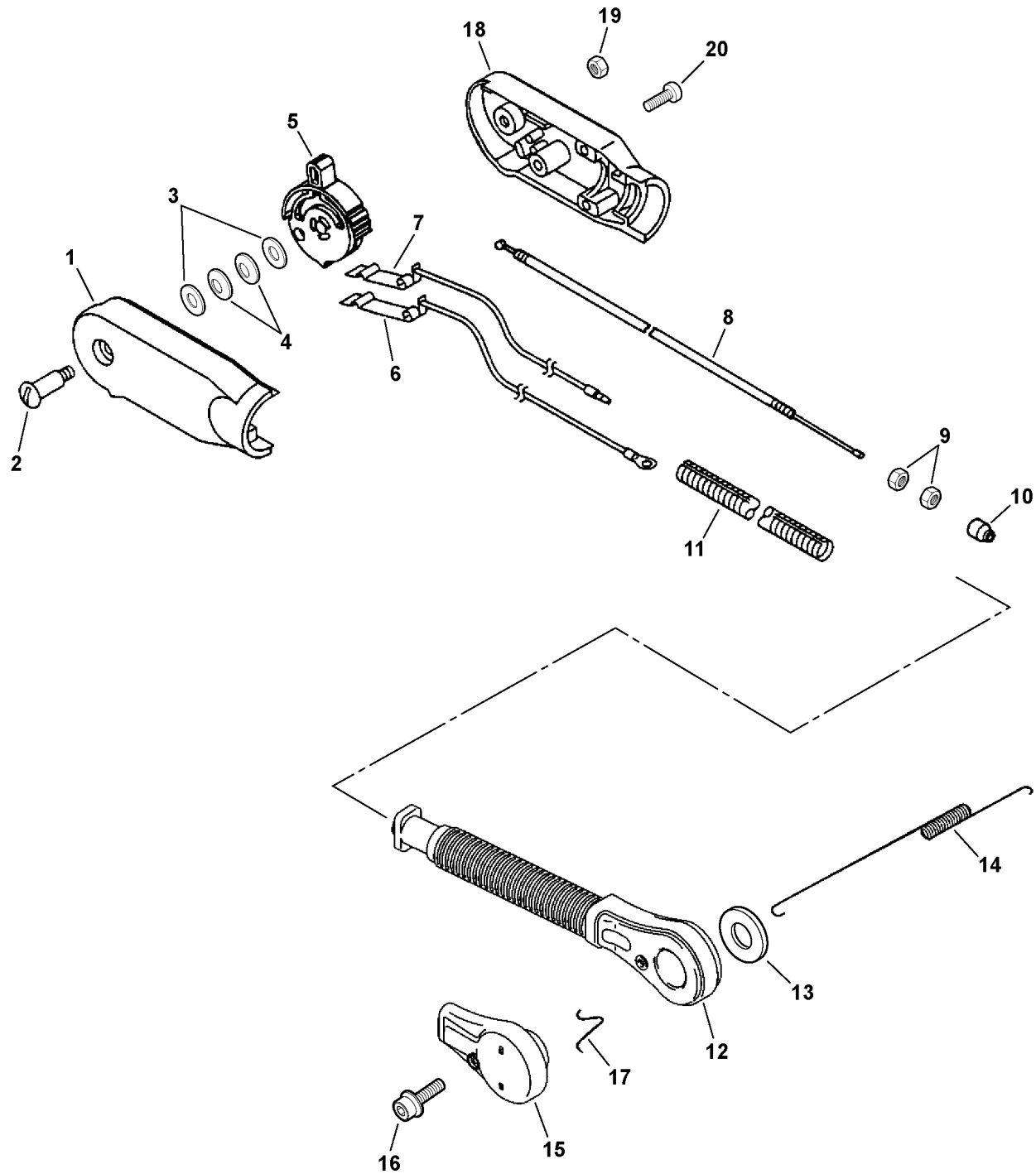


SB1058 0001 000

ITEM	PART NUMBER	QTY	DESCRIPTION	REMARKS
1	SB1058	1	SHORT BLOCK	INCLUDES ITEMS 2-18
2	90016205022	4	SCREW 5X22	
3	A130000250	1	CYLINDER	
4	V100000050	1	GASKET, CYLINDER <sup>1</sup>	
5	P021002982	1	PISTON KIT	INCLUDES ITEMS 6-11
6	A101000030	1	RING, PISTON	
7	A101000020	1	RING, PISTON	
8	V608000010	1	PIN, PISTON	
9	10001500120	2	CIRCLIP, PISTON PIN	
10	V307000060	2	WASHER 10	
11	V555000010	1	BEARING, NEEDLE	
12	A011000140	1	CRANKSHAFT ASY	
13	P021002990	1	CRANKCASE KIT	INCLUDES ITEMS 14-18
14	V508000010	2	OIL SEAL	
15	V622000020	2	DOWEL PIN	
16	9403236302	2	BEARING, BALL	
17	V102000010	1	GASKET, CRANKCASE <sup>1</sup>	
18	90016205035	4	SCREW 5X35	

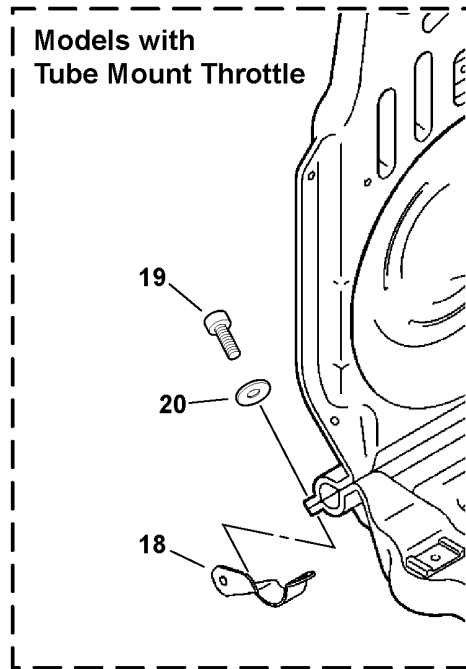
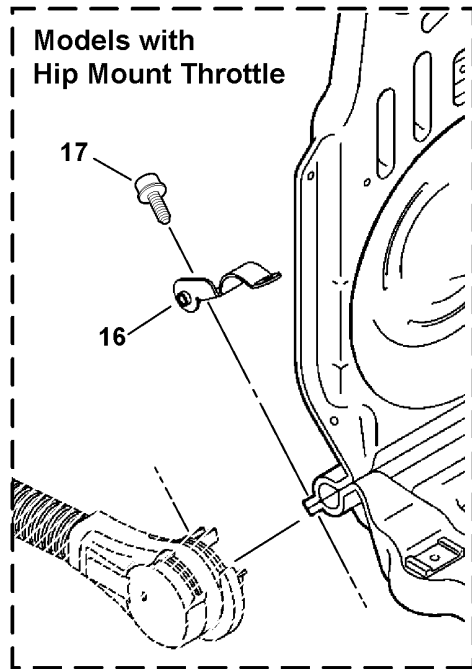
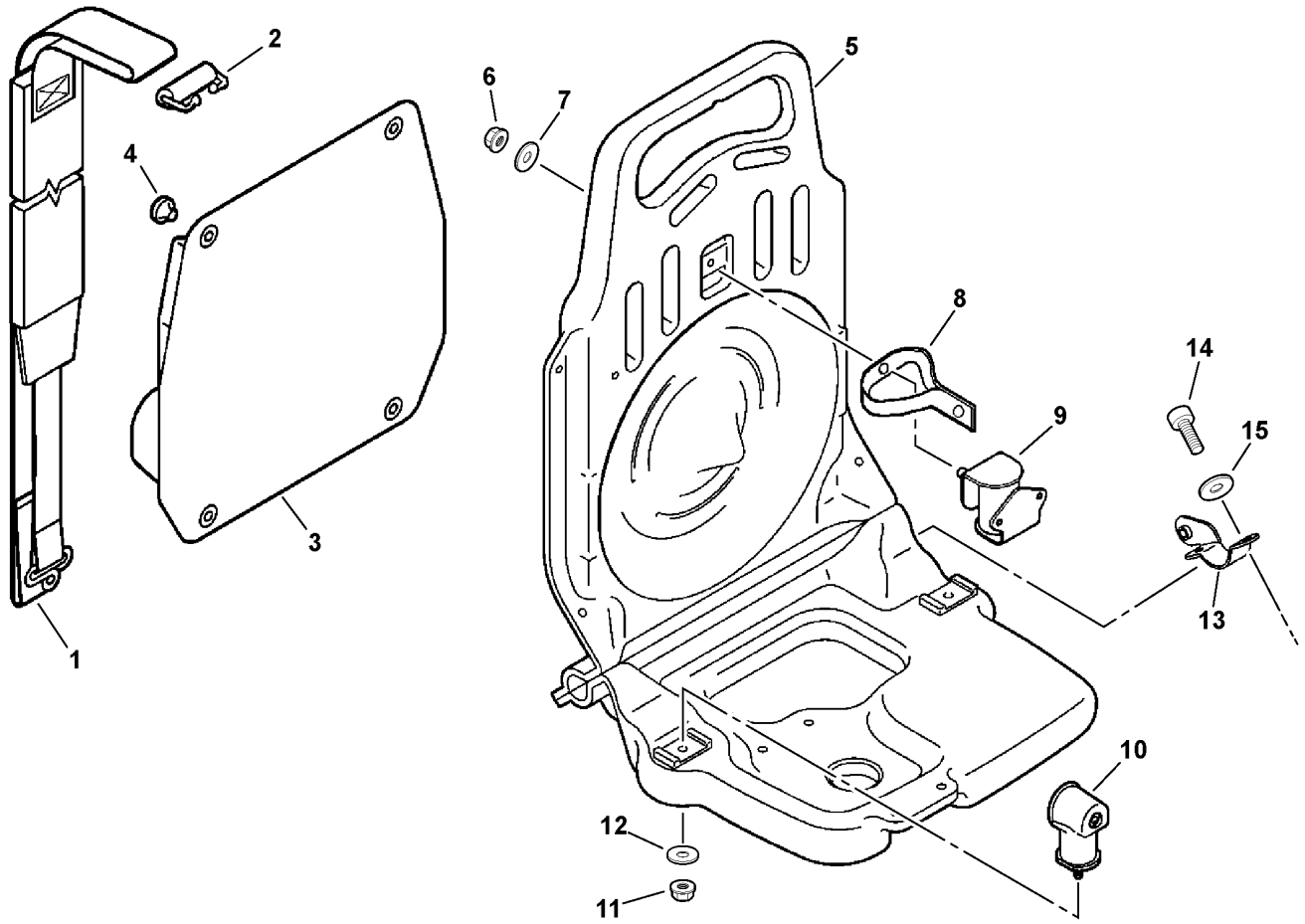
**Footnotes**

**1:** Also Included In GASKET KIT



023 0001 000

ITEM	PART NUMBER	QTY	DESCRIPTION	REMARKS
1	C471000050	1	HOUSING, THROTTLE - LEFT	
2	60403021060	1	SCREW 4	
3	69911804560	2	WASHER	
4	17816021060	2	FRICTION WASHER	
5	C453000020	1	LEVER, THROTTLE	
6	V485000210	1	LEAD	
7	V485000060	1	LEAD	
8	V430000440	1	CABLE, THROTTLE	
9	90050300006	2	NUT	
10	V494000080	1	CAP, DUST	
11	V475001970	1	COVER - CORRUGATED	
12	C456000030	1	ARM, TRIGGER	
13	V336000000	1	WASHER 45	
14	V451000280	1	SPRING, TENSION	
15	C472000010	1	FIXTURE, TRIGGER BRACKET	
16	90010605020	1	SCREW 5X20	
17	V456000000	1	HOLDER, SPRING	
18	C471000060	1	FIXTURE, TRIGGER - RIGHT	
19	90056000004	1	LOCKNUT	
20	88995021060	3	TAPPING SCREW 5	



022 0001 000



ITEM	PART NUMBER	QTY	DESCRIPTION	REMARKS
1	C061000110	2	BACKPACK HARNESS ASY	
2	V491000040	2	RING, HARNESS	
3	30010508261	1	CUSHION, BACKPACK	
4	V491000120	4	CLIP	
5	C066000004	1	FRAME, BACKPACK	
6	90051600005	3	FLANGE NUT 5	
7	61301907350	3	WASHER	
8	C617000150	1	RETAINER	
9	10090508260	1	CUSHION	
10	V401000070	2	CUSHION 5	
11	90051600005	3	FLANGE NUT 5	
12	61301907350	3	WASHER	
13	C626000010	1	FIXTURE, HARNESS	
14	90010505020	2	SCREW 5X20	
15	61301907350	2	WASHER	
16	C626000020	1	FIXTURE, HARNESS	
17	9114705025	2	BOLT 5X25	
18	C626000030	1	FIXTURE, HARNESS	
19	90010505020	2	SCREW 5X20	
20	61301907350	2	WASHER	



100 0050 000

ITEM	PART NUMBER	QTY	DESCRIPTION	REMARKS
1	X532000671	1	LABEL - SPARK PLUG -- BPM-8Y	
2	X532000720	1	LABEL - SPARK PLUG -- BPMR-8Y	CANADA MODELS
3	89016006361	1	LABEL - CAUTION -- HOT	
4	X508000140	1	LABEL, NOISE	
5	89016009461	1	LABEL, CAUTION - ISO	
6	89011817930	1	LABEL, ECHO	
7	89033252730	1	LABEL - CHOKE	
8	X503002650	1	LABEL - MODEL -- PB-650	
9	X503004870	1	LABEL - MODEL -- PB-650H	
10	X503004880	1	LABEL - MODEL -- PB-650T	

<b>Use Gasket Kit</b>	<b>Contains:</b>	<b>Service Number</b>	<b>Description</b>
P021003440		V100000050	GASKET, CYLINDER
		V102000010	GASKET, CRANKCASE
		V103000080	GASKET, INTAKE
		V103000130	SHIELD, CYLINDER
		V103000140	GASKET, INTAKE
		V104000250	GASKET, EXHAUST

300 0003 000

---

<u>ITEM</u>	<u>PART NUMBER</u>	<u>QTY</u>	<u>DESCRIPTION</u>	<u>REMARKS</u>
1	P021003440	1	GASKET KIT	

---

<b>RePower Tune-Up Kit</b>	<b>Contains: Service Number</b>	<b>Description</b>
90070	A226000032	AIR FILTER
	13120519830	FUEL FILTER
	15901019830	SPARK PLUG BPM-8Y

---

<u>ITEM</u>	<u>PART NUMBER</u>	<u>QTY</u>	<u>DESCRIPTION</u>	<u>REMARKS</u>
1	90070	1	TUNE-UP KIT	

---



# Part Number Index

Click The Page Number After Any Part Number To View The Diagram Containing That Part.

Part Number	Page	Part Number	Page	Part Number	Page
-----	9, 11, 15	90060500010	19	P022010260	5
001106	13	90070	31	SB1058	21
10001500120	21	91110706020	17	V100000050	21
10090508260	25	9114505016	15	V102000010	21
10491508260	15	9114505020	15	V103000080	9
12311005560	11	9114705025	25	V103000130	9
12311440630	11	9136704010	17	V103000140	9
12313440030	11	9403236302	21	V104000250	17
12313905560	11	A011000140	21	V152000770	15
12314205560	11	A021000310	11	V186000080	7
12314954230	11	A051000201	5	V299000290	9
12317245130	11	A052000041	5	V307000060	21
12317307930	11	A101000020	21	V336000000	23
12318005560	11	A101000030	21	V340000210	9
12318140630	11	A130000250	21	V401000070	25
12318305960	11	A160000340	15	V420000570	15
13100455530	7	A190000111	15	V430000440	23
13101655830	7	A200000070	9	V451000280	23
13105156030	7	A226000032	9	V456000000	23
13120519830	7	A232000081	9	V471000550	7
13132840630	7	A244000040	9	V471000610	7
13201035430	7	A310000000	17	V475001970	23
13201326630	7	A313000310	17	V485000060	23
13211555930	7	A322000020	15	V485000190	19
15111204630	19	A350000151	7	V485000210	23
15611106160	19	A356000030	7	V491000040	25
15901019830	19	A392000000	7	V491000120	25
15901103432	19	A409000110	19	V494000080	23
15901203433	19	A415000000	19	V495000430	13
15901210230	19	A425000000	19	V495000440	13
15901605330	19	C061000110	25	V508000010	21
15912908260	19	C066000004	25	V555000010	21
17722006310	5	C453000020	23	V608000010	21
17722606310	5	C456000030	23	V622000020	21
17722742030	5	C471000050	23	X502000060	13
17722811620	5	C471000060	23	X503002650	27
17723606910	5	C472000010	23	X503004870	27
17811122330	15	C617000150	25	X503004880	27
17816021060	23	C626000010	25	X508000140	27
30010508261	25	C626000020	25	X532000671	27
60403021060	23	C626000030	25	X532000720	27
61301907350	25	C632000041	15		
69911804560	23	C632000051	15		
88995021060	23	E100000040	19		
89011817930	27	E103000132	15		
89016006361	27	E103000141	15		
89016009461	27	E104000040	15		
89033252730	27	E104000050	15		
90010006045	13	E109000010	15		
90010505020	25	E160000091	13		
90010505055	9	E164000051	13		
90010505060	15	E165000010	13		
90010605008	15	E165000020	13		
90010605014	5, 7, 17	E165000110	13		
90010605020	15, 23	E165000130	13		
90010605025	9	E165000140	13		
90010605030	19	E165000150	13		
90016205018	19	P003000180	11		
90016205022	19, 21	P003000630	11		
90016205035	21	P003000640	11		
90016206035	15	P003000650	11		
90024605014	15	P003000660	11		
90025305010	15	P021002522	9		
90032303014	19	P021002982	21		
90050100010	19	P021002990	21		
90050300006	23	P021003000	17		
90051600005	15, 25	P021003440	29		
90052500006	13	P021005140	15		
90056000004	23	P021014430	9		
90056250005	15	P022002080	5		
90060000006	13	P022002100	5		
90060200010	19	P022003120	5		
90060300005	15	P022003130	5		





# Part Description Index

Click The Page Number After Any Part Description To View The Diagram Containing That Part.

## A

ADAPTOR, SPARK PLUG CAP.....19  
 AIR CLEANER CASE ASY.....9  
 AIR CLEANER KIT.....9  
 ARM, TRIGGER.....23

## B

BACKPACK HARNESS ASY.....25  
 BEARING, BALL.....21  
 BEARING, NEEDLE.....21  
 BLOWER TUBE HELPER HANDLE.....13  
 BODY, AIR PURGE.....11  
 BODY, CARBURETOR.....11  
 BOLT 5X25.....25  
 BOLT 6X45.....13  
 BRACKET, CABLE.....11  
 BULB, PURGE.....11

## C

CABLE, THROTTLE.....23  
 CAP ASY.....7  
 CAP, DUST.....23  
 CAP, SPARK PLUG.....19  
 CARBURETOR.....9  
 CARBURETOR -- WYK-150.....11  
 CASE, FAN - FRONT.....15  
 CASE, FAN - REAR.....15  
 CD IGNITION MODULE.....19  
 CIRCLIP, PISTON PIN.....21  
 CLAMP.....13  
 CLIP.....7, 15, 25  
 CLIP, SWIVEL.....11  
 COLLAR.....15  
 CONNECTOR.....7  
 CONNECTOR, FUEL CAP.....7  
 COVER - CORRUGATED.....23  
 COVER, CYLINDER.....15  
 COVER, DUST.....19  
 COVER, ENGINE.....15  
 COVER, FUEL TANK.....7  
 COVER, PURGE PUMP.....11  
 COVER, VENT.....7  
 CRANKCASE KIT.....21  
 CRANKSHAFT ASY.....21  
 CUSHION.....15, 25  
 CUSHION 5.....25  
 CUSHION, BACKPACK.....25  
 CYLINDER.....21

## D

DIAPHRAGM, PUMP.....11  
 DOWEL PIN.....21  
 DRUM, STARTER.....5

## E

E-RING.....5

## F

FAN, BLOWER.....19  
 FILTER, AIR.....9  
 FILTER, FUEL.....7  
 FIXTURE, HARNESS.....25

FIXTURE, TRIGGER - RIGHT.....23  
 FIXTURE, TRIGGER BRACKET.....23  
 FLANGE NUT 5.....15, 25  
 FLYWHEEL.....19  
 FRAME, BACKPACK.....25  
 FRICTION WASHER.....23

## G

GASKET KIT.....29  
 GASKET, CRANKCASE.....21  
 GASKET, CYLINDER.....21  
 GASKET, EXHAUST.....17  
 GASKET, FUEL CAP.....7  
 GASKET, INTAKE.....9  
 GASKET, METERING DIAPHRAGM.....11  
 GASKET, PUMP.....11  
 GASKET/DIAPHRAGM KIT.....11  
 GRID, BLOWER.....15  
 GRID, BLOWER - LOWER.....15  
 GRID, BLOWER - UPPER.....15  
 GRIP, STARTER.....5  
 GROMMET.....7, 19  
 GUIDE, EXHAUST.....17  
 GUIDE, ROPE.....5

## H

HOLDER, SPRING.....23  
 HOUSING, THROTTLE - LEFT.....23

## I

INSULATOR, INTAKE.....9  
 INSULATOR, MUFFLER.....15

## J

JET.....11

## L

LABEL - CAUTION -- HOT.....27  
 LABEL - CHOKE.....27  
 LABEL - MODEL -- PB-650.....27  
 LABEL - MODEL -- PB-650H.....27  
 LABEL - MODEL -- PB-650T.....27  
 LABEL - SPARK PLUG -- BPM-8Y.....27  
 LABEL - SPARK PLUG -- BPMR-8Y.....27  
 LABEL, CAUTION - ISO.....27  
 LABEL, ECHO.....13, 27  
 LABEL, NOISE.....27  
 LEAD.....19, 23  
 LEAF GUARD KIT.....15  
 LEVER, METERING.....11  
 LEVER, THROTTLE.....23  
 LID, AIR CLEANER.....9  
 LOCK WASHER.....9  
 LOCKNUT.....23

## M

METERING, DIAPHRAGM.....11  
 MUFFLER ASY.....17

## N

NUT.....23  
 NUT 10.....19

## O

OIL SEAL.....21  
 O-RING.....11

## P

PAWL, STARTER.....5  
 PIN, METERING LEVER.....11  
 PIN, PISTON.....21  
 PIPE, FUEL - 3X6X230mm.....7  
 PIPE, RETURN - 3X6X145mm.....7  
 PIPE, VENT - 3X6X145mm.....7  
 PISTON KIT.....21  
 PLATE, ANGLE.....15  
 PLATE, ENGINE.....15  
 PLATE, PREVENT.....9  
 PLUG, FAN CASE.....15  
 PUMP BODY ASY.....11

## R

REPAIR KIT.....11  
 RETAINER.....25  
 RETAINER, ROPE.....5  
 RING, HARNESS.....25  
 RING, PACKING.....11  
 RING, PISTON.....21  
 ROPE, STARTER - 3.5X 1000mm.....5

## S

SCREEN.....17  
 SCREEN, INLET.....11  
 SCREW.....5  
 SCREW 4.....23  
 SCREW 4X10.....17  
 SCREW 5X10.....15  
 SCREW 5X14.....5, 7, 15, 17  
 SCREW 5X16.....15  
 SCREW 5X18.....19  
 SCREW 5X20.....15, 23, 25  
 SCREW 5X22.....19, 21  
 SCREW 5X25.....9  
 SCREW 5X30.....19  
 SCREW 5X35.....21  
 SCREW 5X55.....9  
 SCREW 5X60.....15  
 SCREW 5X8.....15  
 SCREW 6X20.....17  
 SCREW 6X35.....15  
 SCREW, CABLE BRACKET.....11  
 SCREW, IDLE ADJUST.....11  
 SCREW, METERING LEVER PIN.....11  
 SCREW, PURGE PUMP COVER.....11  
 SHIELD, INTAKE.....9  
 SHORT BLOCK.....21  
 SPARK PLUG -- BPM-8Y.....19  
 SPARK PLUG -- BPMR-8Y.....19  
 SPRING WASHER.....19  
 SPRING, METERING LEVER.....11  
 SPRING, RETURN.....5  
 SPRING, REWIND.....5  
 SPRING, TENSION.....23  
 STARTER PAWL ASY.....5  
 STARTER, RECOIL.....5  
 SWIVEL.....11



## Part Description Index (continued)

---

### T

TANK, FUEL.....7  
TAPPING SCREW 5.....23  
TERMINAL, SPARK PLUG CAP.....19  
THROTTLE VALVE ASY.....11  
THUMB SCREW.....9  
TUBE, BLOWER - ELBOW.....13  
TUBE, BLOWER - FLEXIBLE.....13  
TUBE, BLOWER - NOZZEL.....13  
TUBE, BLOWER - STRAIGHT.....13  
TUBE, BLOWER - SWIVEL.....13  
TUBE, VINYL.....19  
TUNE-UP KIT.....31

### V

VALVE, INLET NEEDLE.....11  
VENT ASY.....7

### W

WASHER.....11, 23, 25  
WASHER 10.....19, 21  
WASHER 45.....23  
WASHER 5.....15  
WASHER 6.....13  
WING NUT 6.....13  
WOODRUFF KEY.....19

## **NOTES**



**ECHO, INCORPORATED**

400 Oakwood Road  
Lake Zurich, IL 60047 USA

[WWW.ECHO-USA.COM](http://WWW.ECHO-USA.COM)

---