



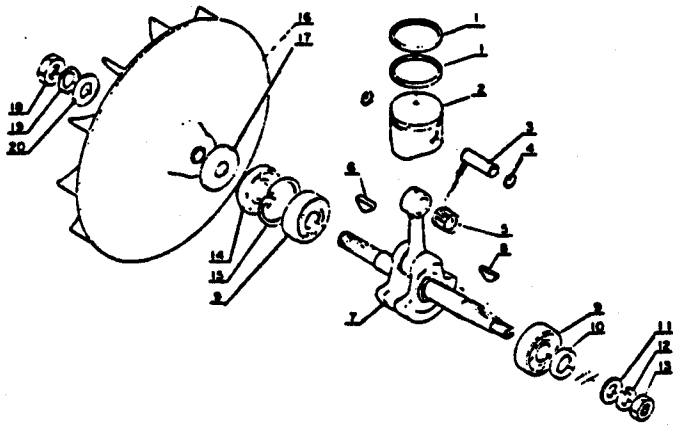
**POWER BLOWER
PARTS CATALOG
MODEL PB-202**

SERIAL NUMBER 001001 THRU 040501

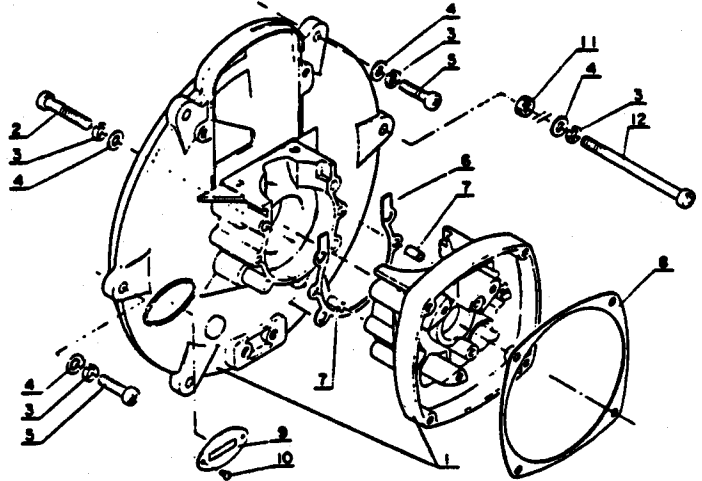
**ECHO, INCORPORATED
400 OAKWOOD ROAD
LAKE ZURICH, IL 60047**

**99922202217
01/92**

(1) CRANKSHAFT, PISTON and FAN



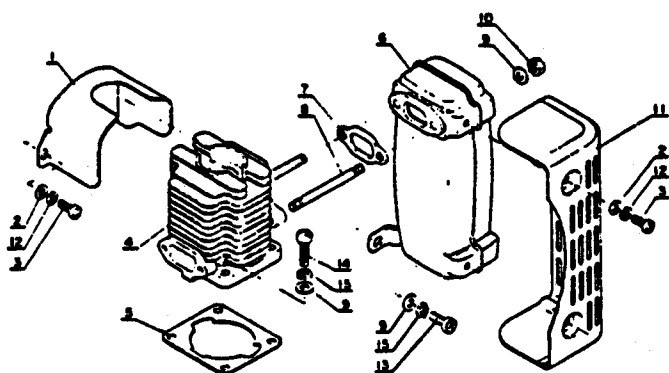
(2) CRANKCASE



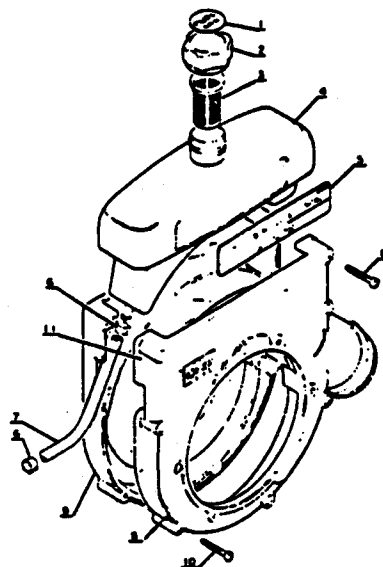
Key No.	Part No.	Q'ty	Description	Key No.	Part No.	Q'ty	Description
1- 1	100 011-0533 0	2	Piston ring	2- 1	100 200-0066 0	1	Crankcase set
2	100 010-0533 0	1	Piston	2	900 220-0502 8	4	Screw 5x28
3	100 013-1021 0	1	Piston pin	3	900 605-0000 5	10	Spring washer 5
4	100 015-0463 0	2	Circlip, piston pin	4	900 600-0000 5	10	Washer 5
5	175 012-0393 0	1	Needle bearing	5	900 220-0501 8	5	Screw 5x18
6	610 325-0273 0	1	Woodruff key	* 6	USE KIT	1	Gasket, crankcase
7	100 100-1021 0	1	Crankshaft ass'y	7	100 215-0393 0	2	Knock pin
8	100 142-0031 0	1	Woodruff key	8	100 615-0463 0	1	Gasket, Starter case
9	900 810-3620 1	2	Ball bearing 6201	9	890 110-0066 0	1	Model plate
10	100 212-0463 0	1	Oil seal	10	890 011-0013 0	2	Rivet
11	100 143-0463 0	1	Washer	11	900 500-0000 5	1	Nut 5
12	900 605-0000 8	1	Spring washer 8	12	900 220-0507 0	1	Screw 5x70
13	900 502-0000 8	1	Nut 8				
14	100 212-0393 0	1	Oil seal				
15	500 702-0003 2	1	Circlip 32				
16	200 010-1021 0	1	Fan				
17	100 132-1021 0	1	Spacer				
18	900 502-0001 0	1	Nut 10				
19	900 605-0001 0	1	Spring washer 10				
20	900 600-0001 0	1	Washer 10				

* Use Gasket Kit, P/N 889 000-0592 0

(3) CYLINDER and MUFFLER



(4) FUEL TANK and FAN CASE



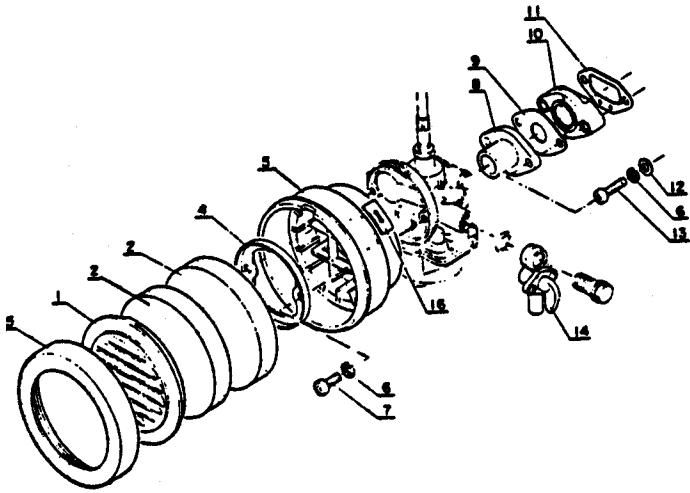
Key No.	Part No.	Q'ty	Description	Key No.	Part No.	Q'ty	Description
3- 1	101 514-1021 0	1	Cylinder cover	4- 1	890 147-1023 0	1	Decal, fuel
2	900 600-0000 4	5	Washer 4				
3	900 220-0401 0	5	Screw 4x10				
4	101 011-1021 0	1	Cylinder	5	890 135-0066 0	1	Decal, name
* 5	USE KIT	1	Gasket, cylinder base				
6	145 605-0066 0	1	Muffler	6	357 013 0021 0	2	Clamp
7	145 510-0463 0	1	Gasket, muffler	7	132 012-1021 0	1	Fuel pipe
8	101 014-0066 0	2	Stud bolt	8	200 107-0066 0	1	Fan case, recoil starter side
9	900 600-0000 5	7	Washer 5	9	200 110-0066 0	1	Fan case, operator side
10	433 020-0083 0	2	Lock nut 5	10	900 245-0503 5	8	Screw 5x35
11	145 621-0066 0	1	Muffler cover	11	890159 06530	1	Decal, fuel valve
12	900 605-0000 4	5	Spring washer 4				
13	900 220-0501 0	1	Screw 5x10				
14	900 220-0501 8	4	Screw 5x18				
15	900 605-0000 5	5	Spring washer 5				

* Use Gasket Kit, P/N889 000-0592 0

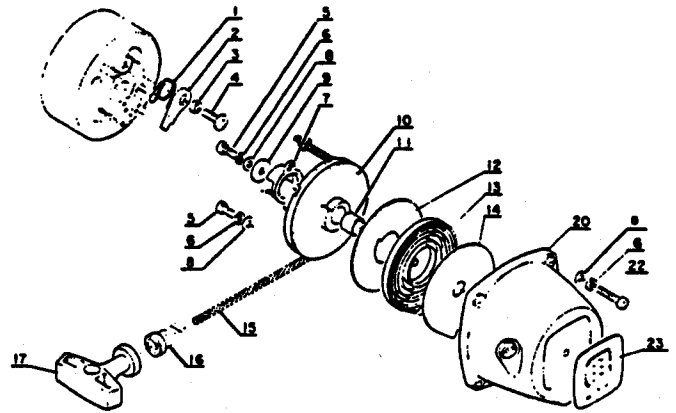
- NOTE: 1. Fuel cap assy and parts See PB-202 SR#0040502 - up
2. Fuel tank See bulletin CS1279-267

Model PB-202

(5) AIR CLEANER



(6) RECOIL STARTER



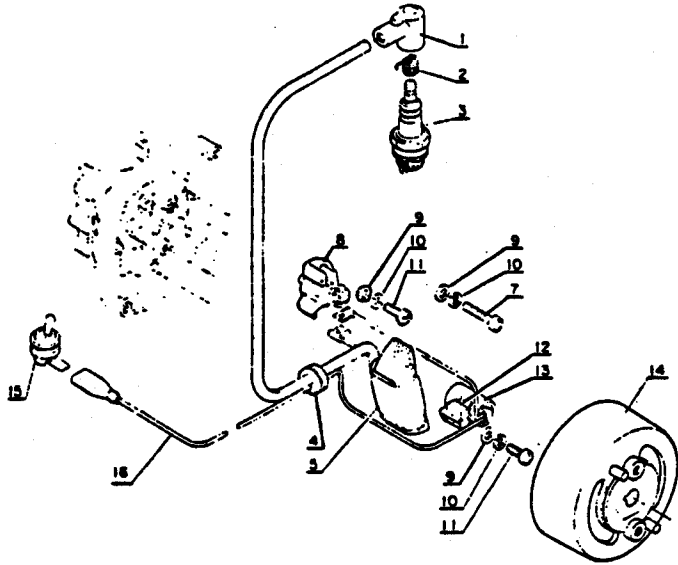
Key No.	Part No.	Q'ty	Description	Key No.	Part No.	Q'ty	Description
5- 1	130 313-1021 1	1	Cover, air cleaner	6- 1	177 234-0463 1	2	Ratchet spring
2	130 310-1021 0	2	Air filter	2	177 218-0393 0	2	Ratchet
4	130 420-0011 0	1	Plate	3	177 247-0463 0	2	Spacer, ratchet
5	130 314-1021 1	1	Case, air cleaner	4	177 217-0463 0	2	Screw
6	900 605-0000 4	4	Spring washer 4	*	177 200-1021 0	1	Recoil starter ass'y
7	900 220-0401 0	2	Screw 4x10	5	-900 220-0401 0	3	Screw 4 x 10
8	130 510-0473 0	1	Adapter, carburetor	6	-900 605-0000 4	3	Spring washer 4
9	130 016 0473 0	1	Gasket, carburetor	7	-177 243-0463 0	1	Pawl catcher
10	130 017-1021 0	1	Insulator	8	-900 600-0000 4	3	Washer 4
11	130 010-0463 0	1	Gasket, insulator	9	-177 214-0463 0	1	Washer
12	900 600-0000 4	2	Washer 4	10	-177 215-0463 0	1	Recoil drum
13	900 220-0402 5	2	Screw 4x25	11	-177 216-0463 0	1	Bush, recoil drum
14	132 200-0051 1	1	Fuel valve ass'y	12	-177 242-0463 0	1	Side plate, inner
15	130 341-1021 0	1	Holder, air cleaner cover	13	-177 220-0393 0	1	Rewind spring
16	690 121-0031 0	1	Decal, choke	14	-177 221-0463 0	1	Side plate, outer
				15	-177 226-0393 0	1	Starter rope
				16	-177 227-0533 0	1	Rope guide
				17	-177 228-1113 0	1	Starter handle
				20	-177 209-0463 0	1	Starter case
				6	900 605-0000 4	4	Spring washer 4
				8	900 600-0000 4	4	Washer 4
				22	900 220-0402 0	4	Screw 4x20
				23	890 012-0066 0	1	Decal, ECHO

Remarks

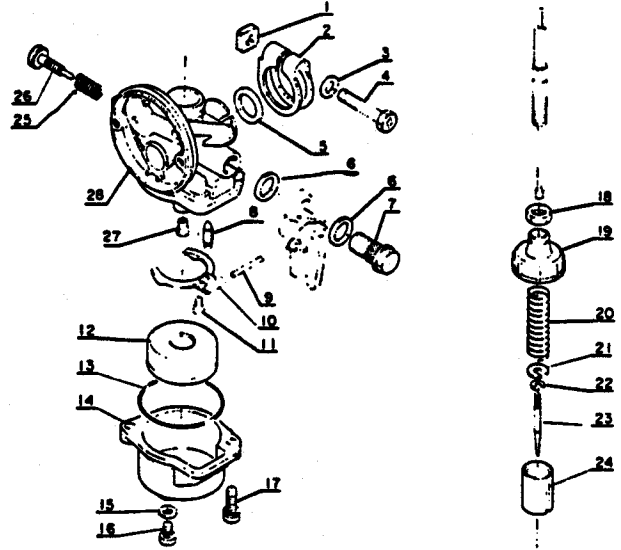
* Consisting of 5 thru 20 except 18 and 19.

Model PB-202

(7) MAGNETO



(8) CARBURETOR

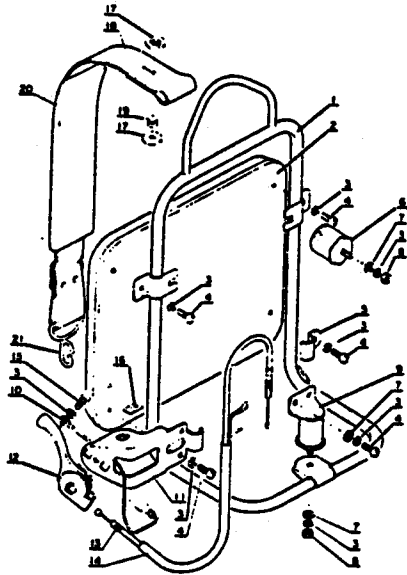


Key No.	Part No.	Q'ty	Description	Key No.	Part No.	Q'ty	Description
7-1	159 012-0162 0	1	Cap, spark plug	8-*	120 000-0066 0	1	Carburetor ass'y
2	159 011-0051 0	1	Coil spring, spark plug cap	1	-120 151-0132 1	1	Nut
3	159 010-0033 0	1	Spark plug	2	-120 146-1021 0	1	Clamp
4	151 112-0463 0	1	Rubber grommet, H.T. Cord	3	-900 600-0000 5	1	Washer 5
5	156 126-0463 0	1	Ignition coil	4	-120 147-0132 1	1	Bolt
7	900 220-0402 5	2	Screw 4x25	5	-120 149-0182 0	1	Washer
8	156 101-0463 0	1	Contact breaker point set	6	-120 130-1021 0	2	Gasket
9	900 600-0000 4	4	Washer 4	7	-120 131-0012 0	1	Banjo bolt
10	900 605-0000 4	4	Spring washer 4	8	-120 102-1021 0	1	Valve, inlet needle
11	900 220-0401 0	2	Screw 4x10	9	-120 132-1021 0	1	Pin, metering lever
12	156 134-0463 0	1	Oiler	10	-120 121-1021 0	1	Lever, inlet metering
13	156 127-0463 0	1	Condenser	11	-900 210-0400 6	1	Screw 4 x 6
14	156 200-0463 0	1	Flywheel	12	-120 133-1021 0	1	Float
15	153 400 0652 0	1	Switch	13	-120 123-1021 0	1	O-ring
16	156 121-0066 0	1	Stop lead	14	-120 124-1021 0	1	Body, float chamber
				15	-120 136-0012 0	1	Gasket, drain
				16	-900 220-0400 6	1	Screw 4 x 6
				17	-900 241-0401 2	2	Screw 4 x 12 w/SW
				18	-120 111-0473 0	1	Nut
				19	-120 113-1021 0	1	Top cover
				20	-120 114-0182 0	1	Spring, throttle
				21	-120 115-0012 0	1	Seat, throttle spring
				22	-120 116-1021 0	1	E-ring
				23	-120 117-0066 0	1	Needle, jet
				24	-120 118-1021 0	1	Valve, throttle
				25	-120 160-0132 1	1	Spring, idle adjustment
				26	-120 159-0066 0	1	Screw, idle adjustment
				27	-120 122-0066 0	1	Valve, mixture
				28	-NOT AVAILABLE	1	Body ass'y, carburetor

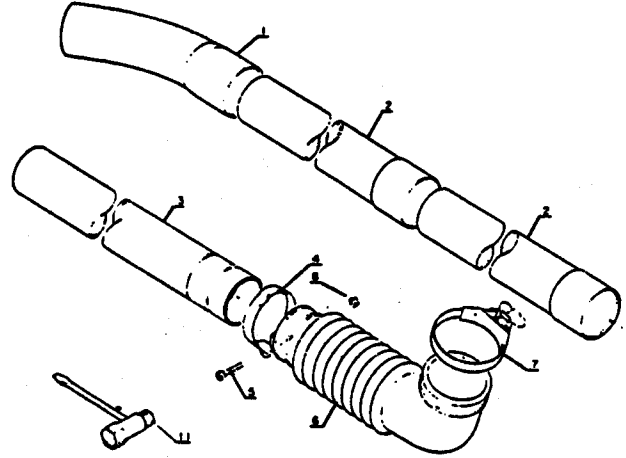
Remarks
* Consisting of 1 thru 28.

Model PB-202

(9) BACKPACK BAND, FRAME and THROTTLE CONTROL



(10) BLOWING PIPE and TOOL



Key No.	Part No.	Q'ty	Description	Key No.	Part No.	Q'ty	Description
9- 1	300 010-0066 0	1	Frame, back pack	10- 1	210 023-0021 0	1	Curved pipe
2	300 105-0066 0	1	Cushion	2	210 015-0066 0	2	Straight pipe
3	900 605-0000 5	11	Spring washer 5	3	212 005-0066 0	1	Straight pipe w/swivel
4	900 220-0501 0	7	Screw 5x10	4	210 413-1021 0	1	Clamp
5	300 220-0066 0	1	Bracket, cushion	5	900 220-0502 5	1	Screw 5x25
6	200 906-1021 2	2	Cushion	6	210 013-1021 0	1	Flexible pipe
7	900 600-0000 5	7	Washer 5	7	210 407-0111 0	1	Clamp
8	900 500-0000 5	3	Nut 5	8	900 500-0000 5	1	Nut 5
9	200 907-1021 1	1	Cushion	11	895 410-0283 0	1	Box wrench w/screw driver
10	162 014-0066 0	1	Ground lead wire				
11	178 126-0066 0	1	Bracket, throttle lever				
12	178 000-0066 0	1	Throttle lever				
13	178 001-0066 0	1	Throttle wire				
14	178 016-0066 0	1	Sleeve				
15	900 220-0501 2	1	Screw 5 x 12				
16	890 157-1113 0	1	Decal, stop				
17	300 328-0031 0	4	Washer, back pack band				
18	300 300-0066 0	2	Back pack band				
19	300 333-0031 0	2	Button				
20	300 322-0111 0	2	Pad, back pack band				
21	300-319-0161 0	2	Hook				