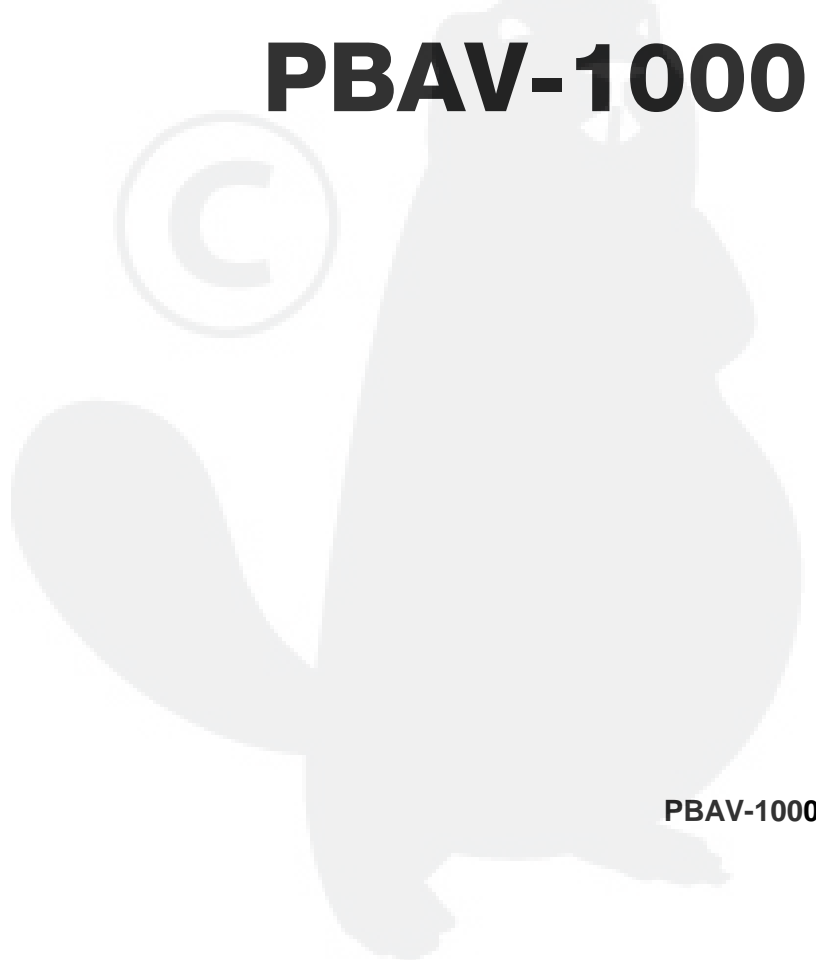




PARTS CATALOG

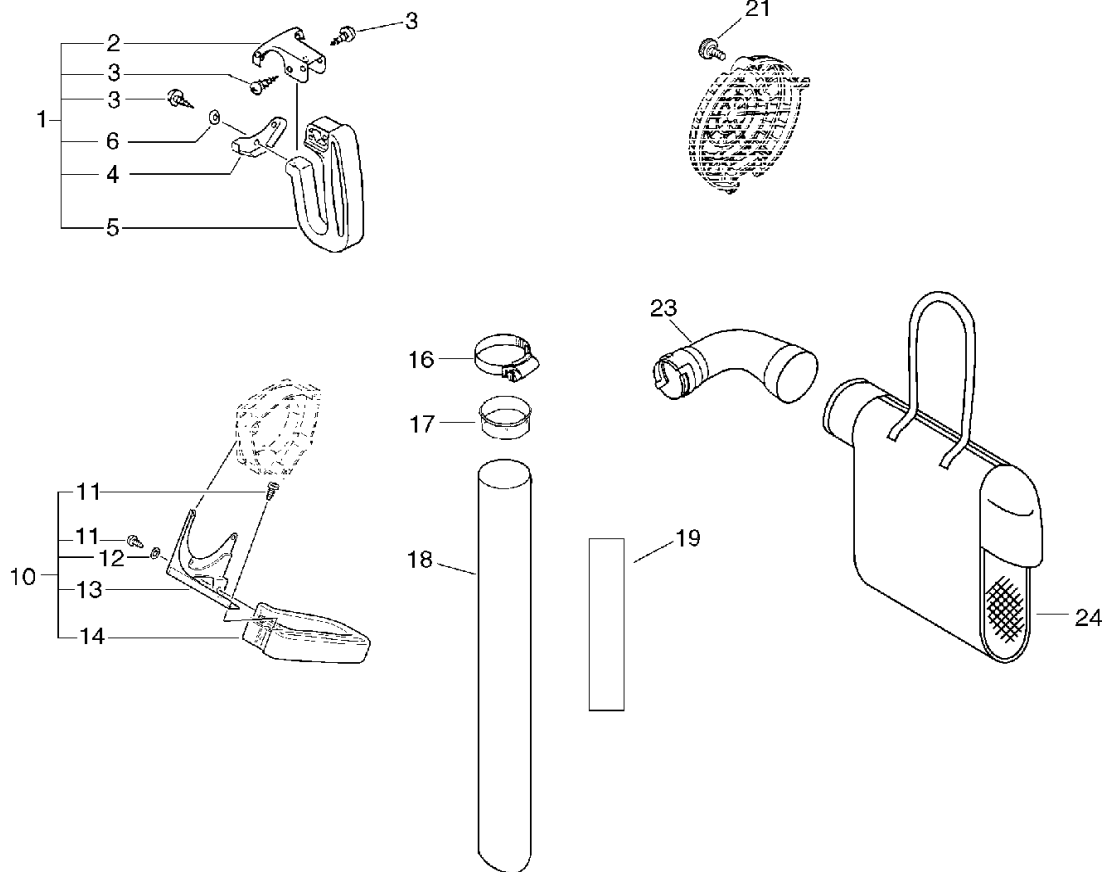
BLOWER ACCESSORY

PBAV-1000



PBAV-1000

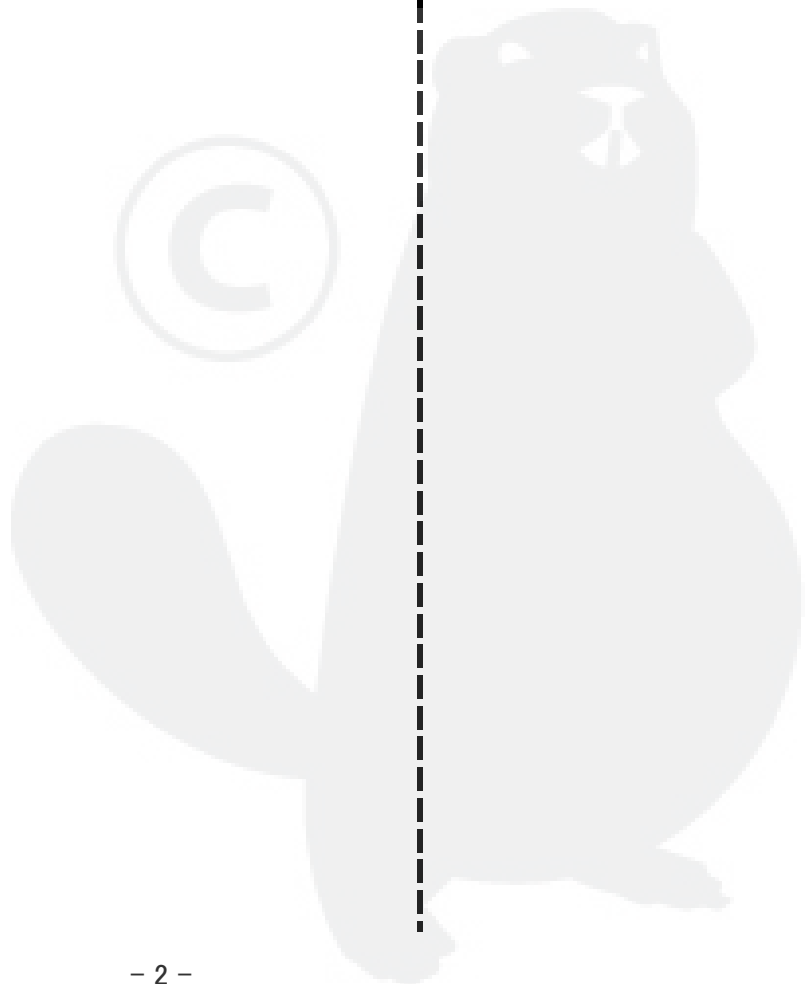
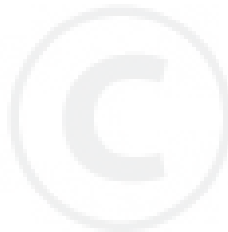
1. Attachment



KEY	LV	PART NUMBER	Q'TY	DESCRIPTION	REMARKS	NOTE1	NOTE2
1		351000-05060	1	HANDLE ASSY, REAR			
2	+	351011-05060	1	SUPPORTER HANDLE			
3	+	900253-05016	3	SCREW	5*16		
4	+	351028-05060	1	SUPPORTER, HANDLE			
5	+	351010-05060	1	HANDLE (BL)			
6	+	900605-00005	1	WASHER, SPRING 5	5		
10		P021-005250	1	HANDLE KIT, REAR			
11	+	900253-05016	3	SCREW	5*16		
12	+	900605-00005	1	WASHER, SPRING 5	5		
13	+	C405-000070	1	BRACKET, HANDLE			
14	+	351010-05060	1	HANDLE (BL)			
16		210413-05060	1	CLAMP, FLEXIBLE PIPE			
17		385155-09660	1	SLEEVE			
18		210027-06562	1	PIPE, SUCTION	115*880		
19		890118-04261	2	LABEL, ECHO		Sus. by 890118-04262	
19		890118-04262	2	LABEL, ECHO	194*44		
21		130406-20660	1	THUMB		Sus. by V299-000290	
21		V299-000290	1	KNOB, FASTENER	1 KNOB M5X0.8		
23		215012-05060	1	CONNECTOR (BL)			
24		X692-000020	1	BAG, DUST			

Index

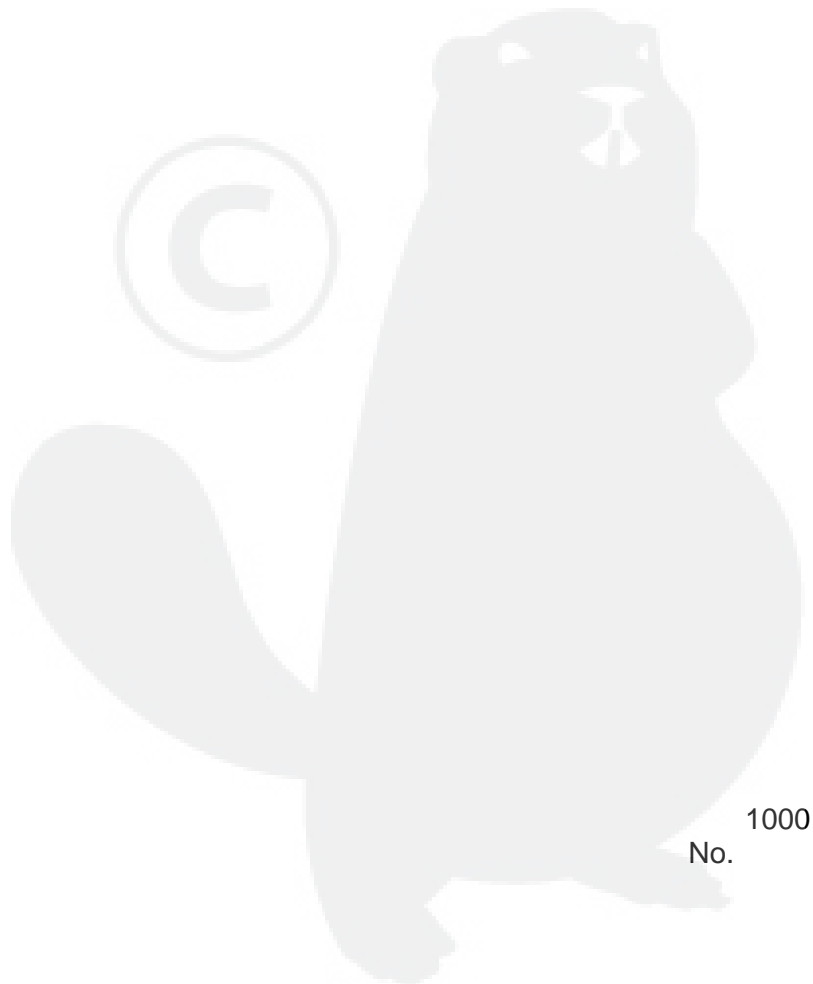
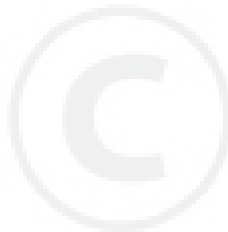
Patrs Number	Key No.	Patrs Number	Key No.	Patrs Number	Key No.
130406-20660	1 - 21				
210027-06562	1 - 18				
210413-05060	1 - 16				
215012-05060	1 - 23				
351000-05060	1 - 1				
351010-05060	1 - 5				
351010-05060	1 - 14				
351011-05060	1 - 2				
351028-05060	1 - 4				
385155-09660	1 - 17				
890118-04261	1 - 19				
890118-04262	1 - 19				
900253-05016	1 - 3				
900253-05016	1 - 11				
900605-00005	1 - 6				
900605-00005	1 - 12				
C405-000070	1 - 13				
P021-005250	1 - 10				
V299-000290	1 - 21				
X692-000020	1 - 24				



YAMABIKO CORPORATION

7-2 SUEHIROCHO 1-CHOME, OHME, TOKYO 198-8760, JAPAN
PHONE: 81-428-32-6118. FAX: 81-428-32-6145.

ECHO®



1000
No.