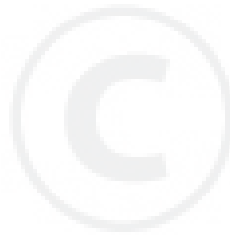




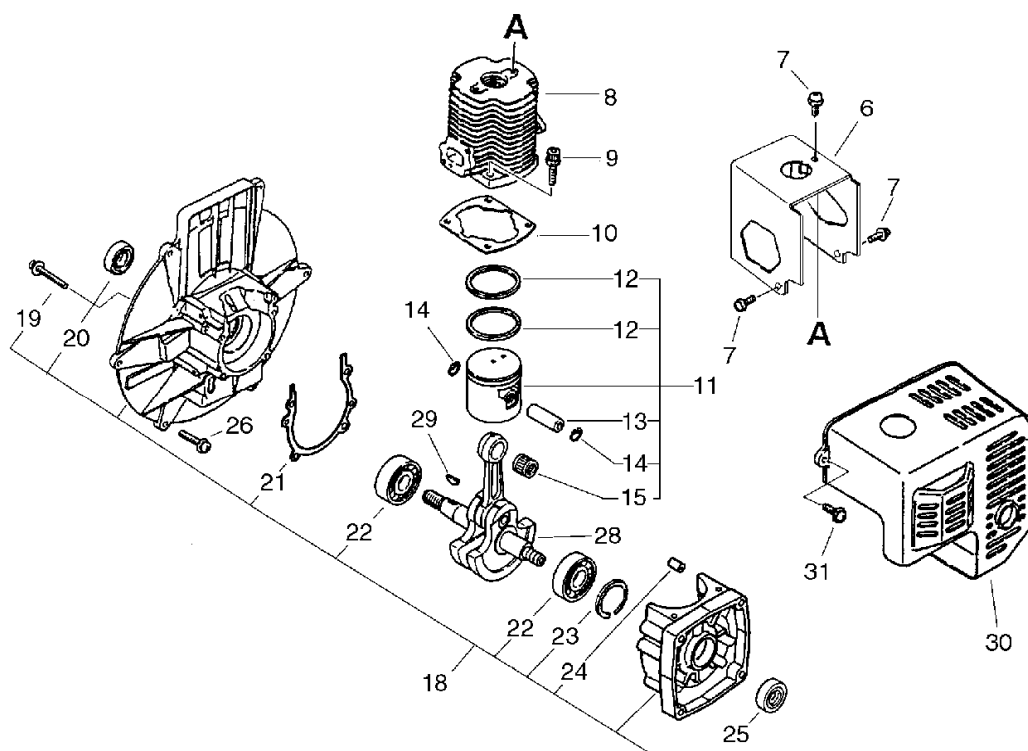
PARTS CATALOG
DUSTER / MIST BLOWER
DMD321



DMD321

1. Cylinder, Crankcase, Piston

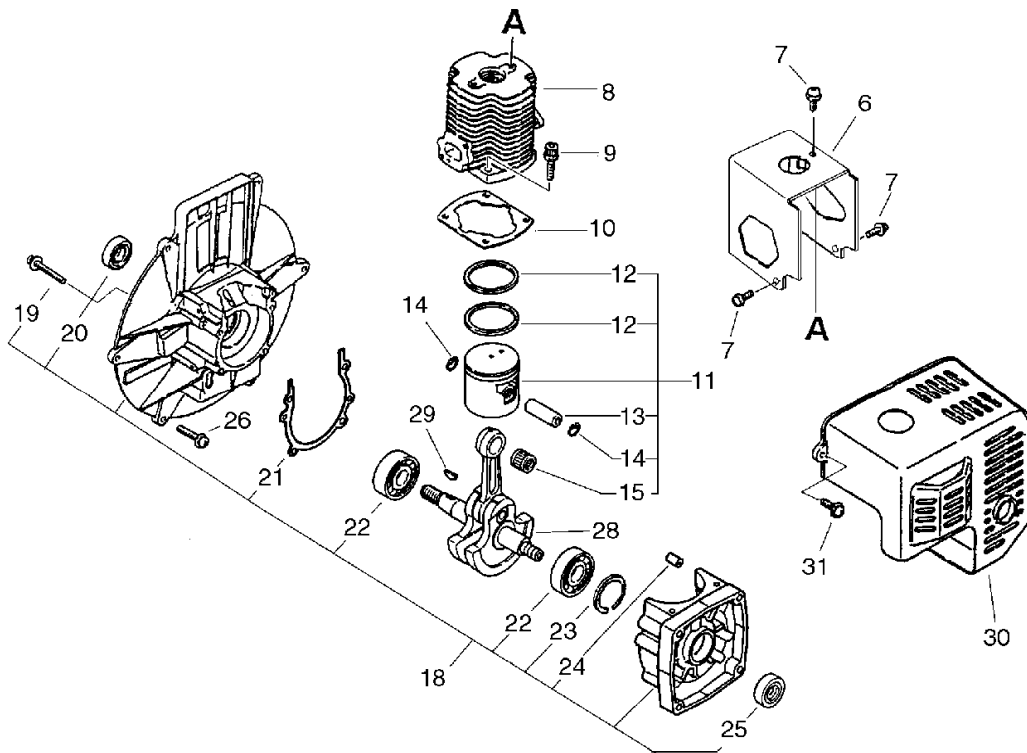
No.1



KEY	LV	PART NUMBER	Q'TY	DESCRIPTION	REMARKS	NOTE1	NOTE2
6		101514-07010	1	COVER, CYLINDER		Sus. by 101514-07011	
6		101514-07011	1	COVER, CYLINDER			
7		900242-04010	3	SCREW 4*10	4*10		
8		101011-07010	1	CYLINDER			
9		900162-05020	4	BOLT, H.S. 5*20	5*20 W,SW		
10		101010-03461	1	GASKET, CYL. BASE			
11		100000-03460	1	PISTON KIT			
12	+	100011-05731	2	RING, PISTON			
13	+	100013-03460	1	PIN, PISTON			
14	+	100015-00120	2	CIRCLIP, PISTON PIN			
15	+	100012-12331	1	BEARING, NEEDLE			
18		100204-07010	1	CRANKCASE KIT		Sus. by 100204-07011	
18		100204-07011	1	CRANKCASE KIT			
19	+	900242-05030	4	SCREW 5*30	5*30		
20	+	100213-00310	1	OILSEAL	ISCD 15 25 7		
21	+	100242-03460	1	GASKET, CRANKCASE			
22	+	900810-36202	2	BEARING, BALL 6202	6202/C3		
23	+	900702-00035	1	CIRCLIP 35	CR-35		
24	+	100215-03930	2	PIN, DOWEL			
25	+	100213-02830	1	OILSEAL	ISMX15,35,6		
26		900292-05020	6	SCREW 5*20	5*20 SUS		
28		100100-07010	1	CRANKSHAFT ASSY			
29		900323-03014	1	KEY WOODRUFF	3*14		
30		104012-06110	1	COVER			

1. Cylinder, Crankcase, Piston

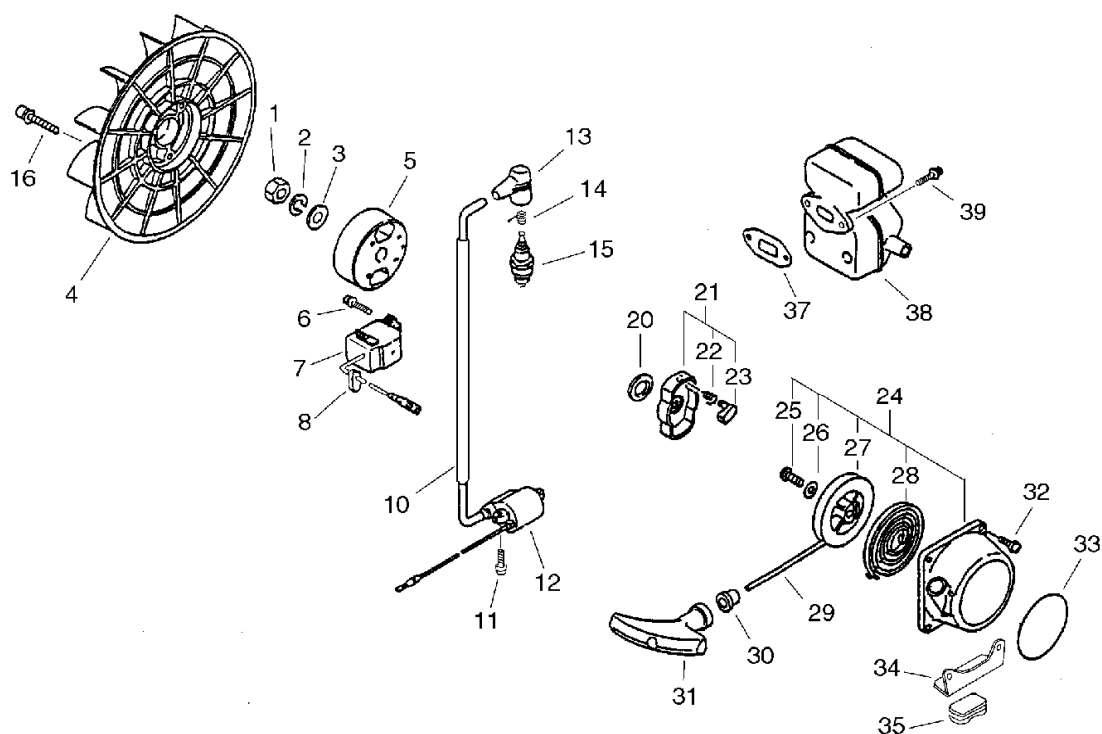
No.1



KEY	LV	PART NUMBER	Q'TY	DESCRIPTION	REMARKS	NOTE1	NOTE2
31		900292-05014	3	SCREW 5*14	5*14 SUS		

2. Starter, Magneto, Muffler

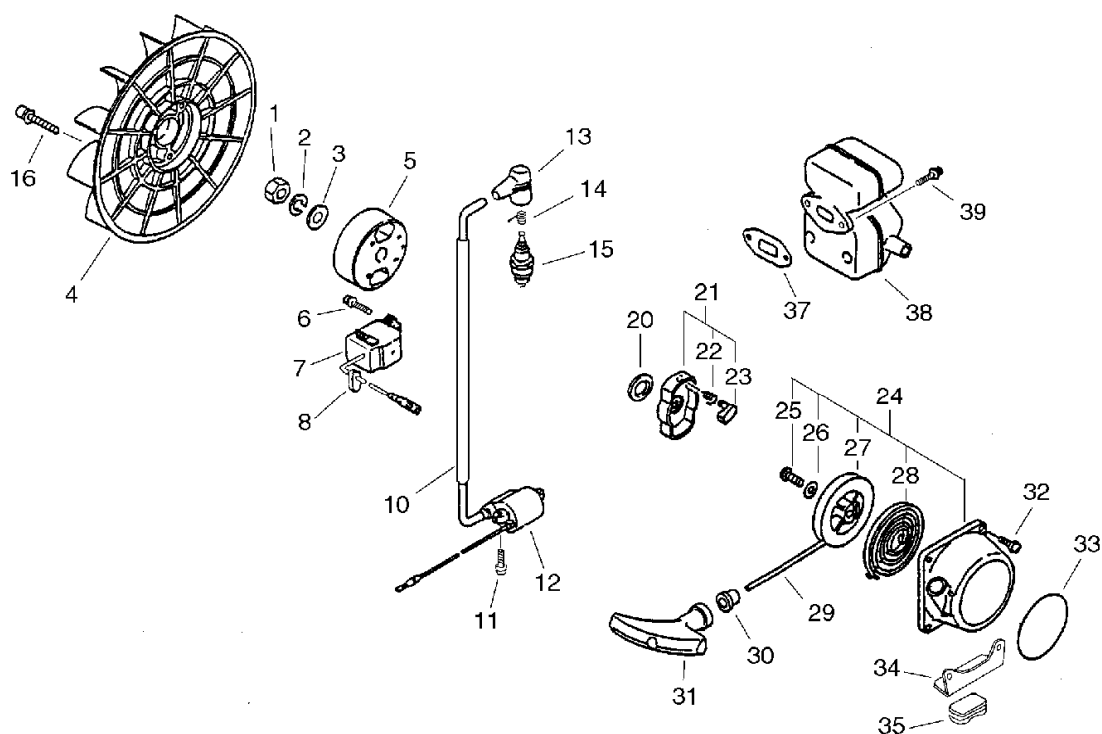
No.2



KEY	LV	PART NUMBER	Q'TY	DESCRIPTION	REMARKS	NOTE1	NOTE2
1		900500-00008	1	NUT 8	8*P1.25		
2		900605-00008	1	WASHER, SPRING 8	8		
3		900602-00008	1	WASHER 8	8.4*17*1.6		
4		200010-07060	1	FAN		Sus. by 200010-07061	
4		200010-07061	1	FAN			
5		156800-07010	1	ROTOR			
6		900242-04018	2	SCREW 4*18	4*18		
7		156627-04210	1	COIL, EXCITER			
8		156114-03360	1	GROMMET			
10		156611-03460	1	TUBE	6*8*280		
11		900242-04014	2	SCREW 4*14	4*14		
12		156626-04210	1	COIL, IGNITION			
13		159012-03433	1	CAP, SPARK PLUG			
14		159011-03432	1	COIL, SPARK PLUG			
15		159010-10630	1	PLUG, SPARK (BPM-7A)	BPM-7A		
16		900148-05020	3	BOLT 5*20	5*20		
20		900602-00008	1	WASHER 8	8.4*17*1.6		
21		177202-55230	1	PAWL ASSY, STARTER			
22	+	177234-40630	1	SPRING, RETURN			
23	+	177218-55230	1	PAWL, STARTER			
24		177200-06210	1	STARTER ASSY			
25	+	177236-40630	1	SCREW			
26	+	177214-40630	1	WASHER			
27	+	177215-11120	1	DRUM, STARTER			
28	+	177220-11120	1	REWIND SPRING			

2. Starter, Magneto, Muffler

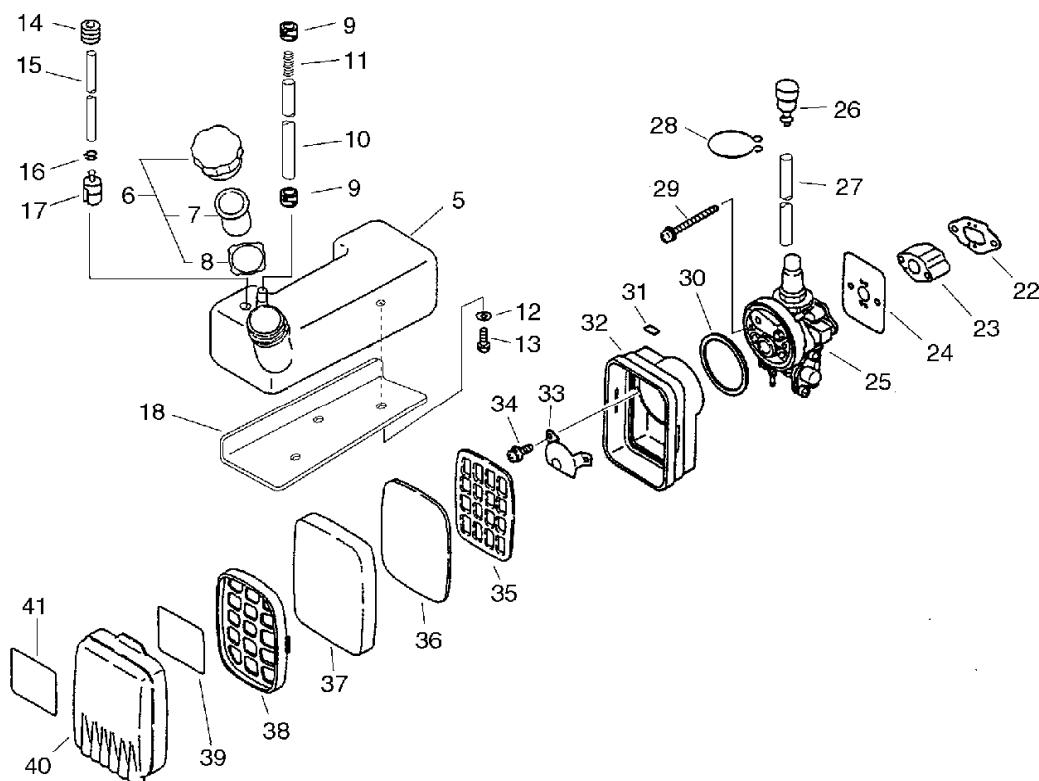
No.2



KEY	LV	PART NUMBER	Q'TY	DESCRIPTION	REMARKS	NOTE1	NOTE2
29	+	177226-11120	1	ROPE, STARTER	3.8*1400		
30	+	177227-42030	1	GUIDE, ROPE			
31	+	177228-11120	1	GRIP, STARTER			
32		900292-04018	4	SCREW 4*18	4*18 SUS		
33		890053-56330	1	LABEL,KIORITZ 56.5MM	56.5		
34		300029-07010	1	PLATE, ANGLE			
35		305117-03360	1	CUSHION			
37		145510-03461	1	GASKET, MUFFLER			
38		145605-04210	1	MUFFLER (BL)			
39		900162-06020	2	BOLT, H.S. 6*20	6*20 W.SW		

3. Air Cleaner, Fuel Tank

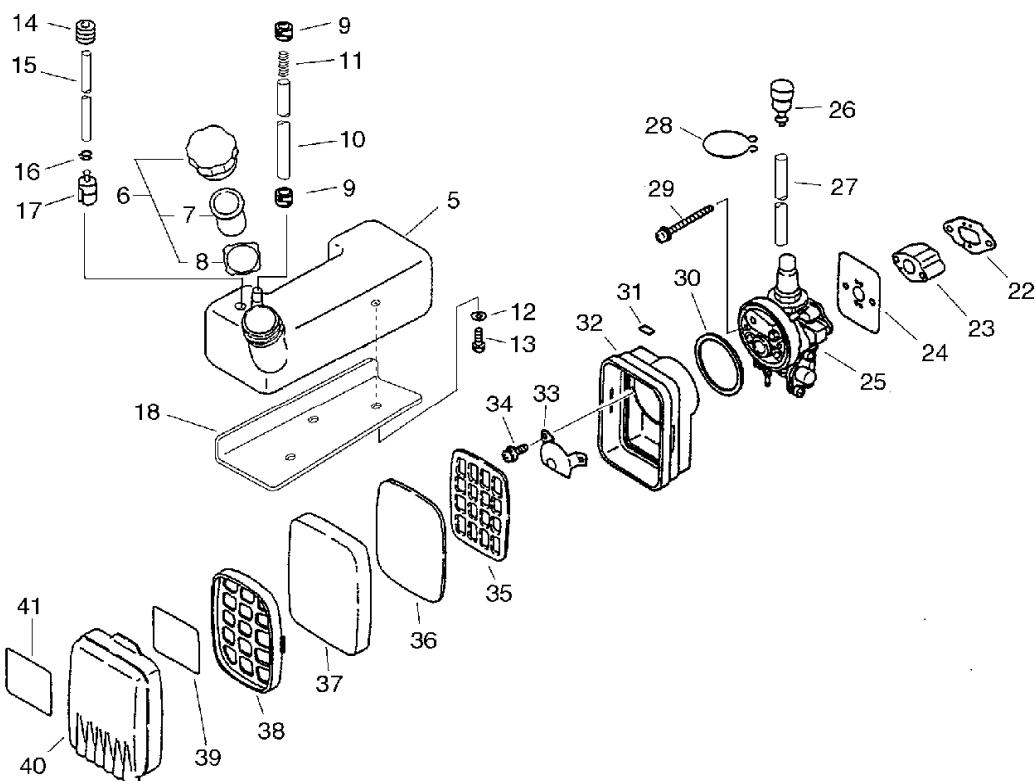
No.3



KEY	LV	PART NUMBER	Q'TY	DESCRIPTION	REMARKS	NOTE1	NOTE2
5		131010-07012	1	TANK, FUEL		Sus. by 131010-07014	
5		131010-07014	1	TANK, FUEL			
6		131004-06210	1	CAP ASSY, FUEL			
7	+	131003-05330	1	CUP SET, VENT			
8	+	131016-21060	1	GASKET, FUEL CAP			
9		132013-14010	2	BAND	10.5MM		
10		132010-15110	1	PIPE	5/16*7/16*65L		
11		132221-07410	1	SPRING, COMPRESSION			
12		145642-00760	2	WASHER 6.5*18*1.6	6.5*18*1.6		
13		900220-06014	2	SCREW +-SR 6*14	6*14	Sus. by 900220-06010	
13		900220-06010	2	SCREW 6*10	6*10		
14		132115-12330	1	GROMMET			
15		132010-53630	1	PIPE	3*6*180 NBR		
16		132013-26630	1	CLIP	6.5MM		
17		131205-05630	1	STRAINER, FUEL			
18		250054-07010	1	PLATE, ANGLE		Next Production:Nil	
22		130016-06410	1	GASKET, INTAKE			
23		130017-06410	1	INSULATOR			
24		130010-07010	1	GASKET, INTAKE			
25		124200-06110	1	CARBURETOR ASSY	K12PR-6A		
26		132001-05510	1	VALVE, CHECK			
27		132010-06530	1	PIPE 3*6* 85	3*6* 85		

3. Air Cleaner, Fuel Tank

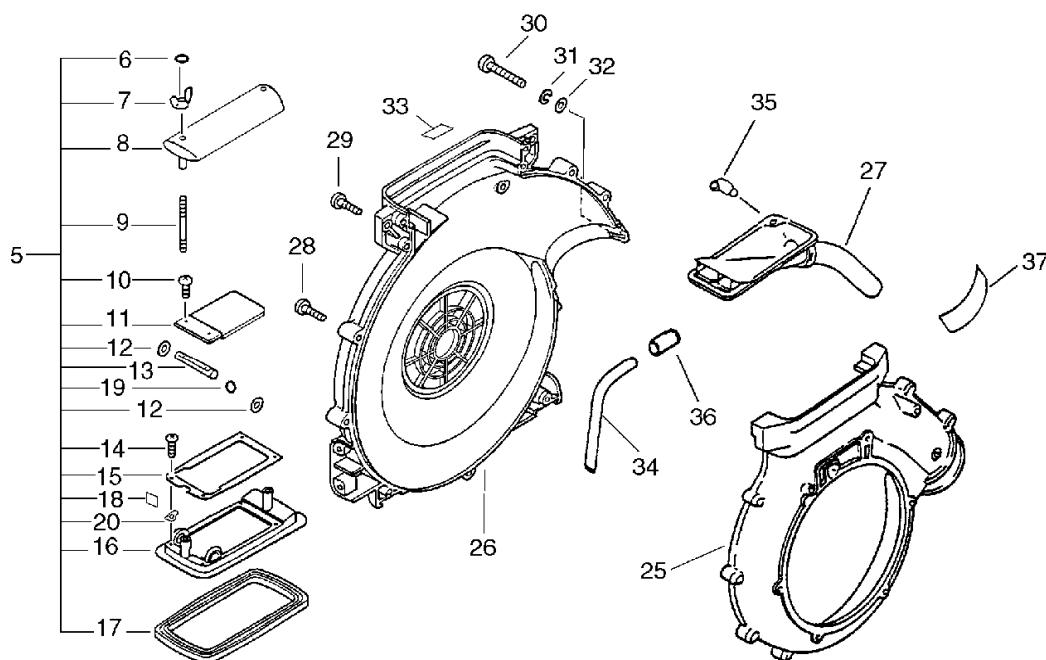
No.3



KEY	LV	PART NUMBER	Q'TY	DESCRIPTION	REMARKS	NOTE1	NOTE2
28		132013-05060	1	CLIP, PIPE			
29		900242-05055	2	SCREW 5*55 (W/W.SW)	5*55		
30		130320-05810	1	SEAL, CLEANER			
31		890026-00311	1	LABEL, CHOK			
32		130307-04211	1	CASE, AIR CLEANER			
33		129011-05110	1	PLATE		Next Production:Nil	
34		900242-04012	2	SCREW 4*12	4*12		
35		130319-03710	1	GRID, AIR CLEANER			
36		130317-03710	1	FILTER, AIR			
37		130310-02910	1	FILTER, AIR			
38		130311-03710	1	GRID, AIR CLEANER			
39		890187-03710	1	LABEL, CLEANER			
40		130313-03710	1	COVER, AIR CLEANER			
41		890016-07310	1	LABEL, CAUTION		Sus. by X505-000860	
41		X505-000860	1	LABEL, CAUTION			

4. Fan Case, Lower Tank

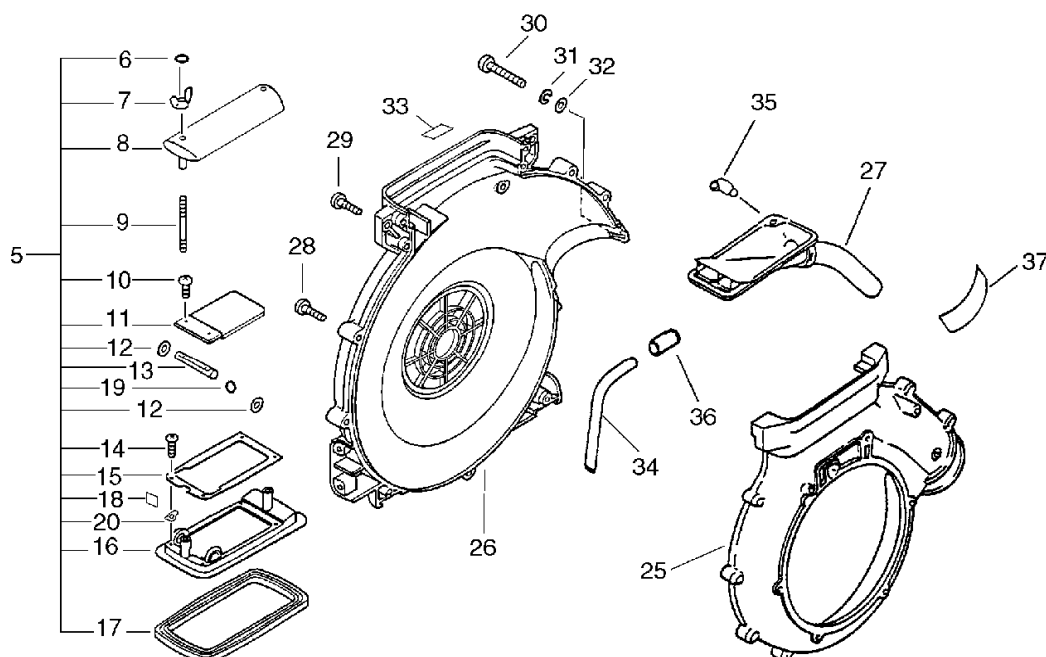
No.4



KEY	LV	PART NUMBER	Q'TY	DESCRIPTION	REMARKS	NOTE1	NOTE2
5		275100-07212	1	SHUTTER ASSY		Sus. by 275100-07213	
5		275100-07213	1	SHUTTER, METERING			
6	+	900720-00004	1	O-RING (P-4)	P-4		
7	+	900539-00005	1	NUT, WING 5	5		
8	+	250110-07210	1	STABILIZER		Sus. by E127-000000	
8	+	E127-000000	1	STABILIZER			
9	+	270015-06210	1	STUD	5*60		
10	+	900226-04010	2	SCREW, 4*10	4*10 SUS		
11	+	270106-07210	1	SHUTTER, METERING			
12	+	275123-05510	2	SPACER 10*19.5*0.3	10*19.5*0.3		
13	+	270210-07210	1	SHAFT, SHUTTER			
14	+	900295-04014	4	SCREW 4*14	4*14 SUS		
15	+	270110-07210	1	SHUTTER, METERING			
16	+	275105-07211	1	BODY, SHUTTER			
17	+	270119-07210	1	PACKING, SHUTTER			
18	+	210035-06310	1	PACKING, DUST			
19	+	900720-00007	2	O-RING 7	P-7		
20	+	V150-000580	1	PLATE, EYE			
25		200105-07110	1	CASE, FAN		Sus. by 200105-07111	
26		200107-07110	1	CASE, FAN		Sus. by 200107-07111	
26		200107-07111	1	CASE, FAN		Next Production	

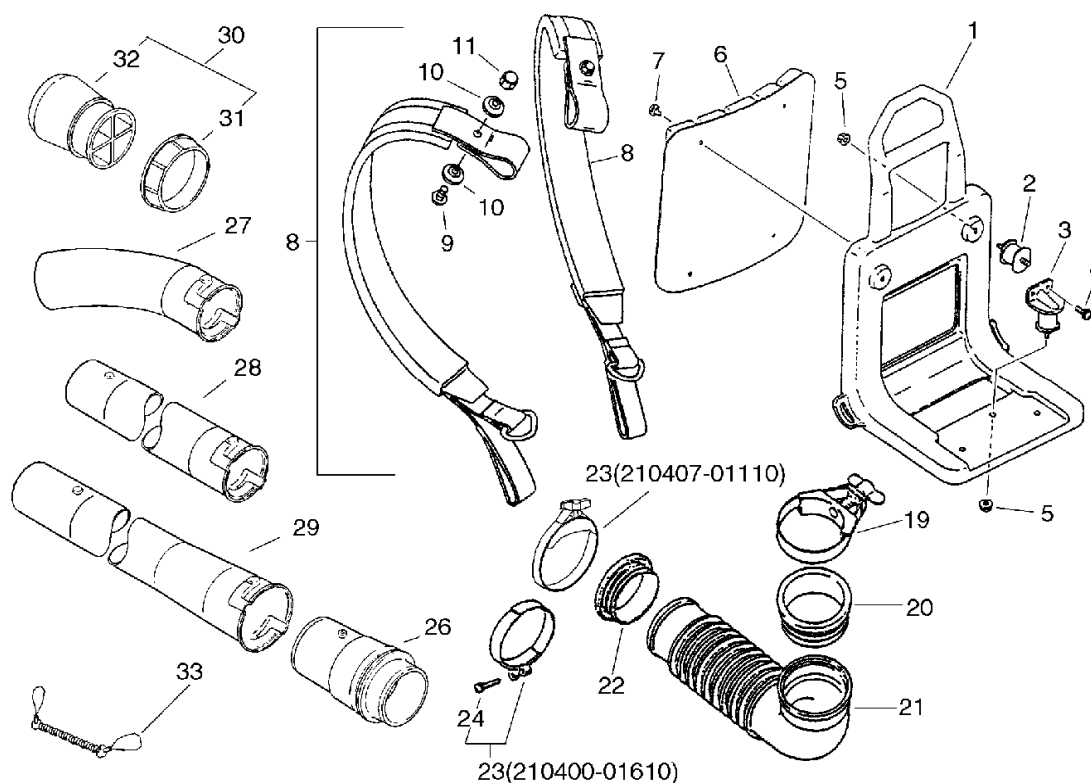
4. Fan Case, Lower Tank

No.4



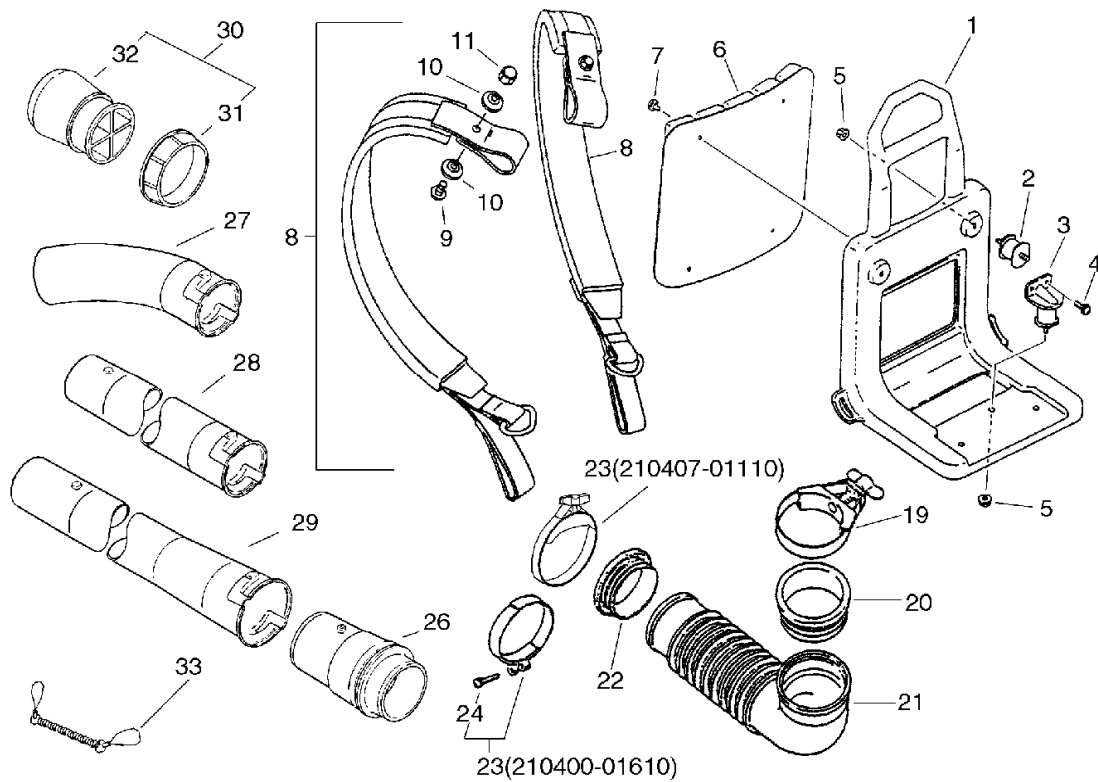
KEY	LV	PART NUMBER	Q'TY	DESCRIPTION	REMARKS	NOTE1	NOTE2
27		370605-07211	1	PIPE, DUST FEEDER			
28		900286-05025	8	SCREW 5*25 SUS	5*25 SUS		
29		900286-05035	2	SCREW 5*35	5*35 SUS		
30		900292-05014	1	SCREW 5*14	5*14 SUS		
31		900720-00004	1	O-RING (P-4)	P-4		
32		900504-00005	1	NUT 5B	5B		
33		210035-07010	1	PACKING,DUST			
34		370315-07210	1	GUIDE, BLOWER		Sus. by 370315-07211	
35		370321-07210	1	GUIDE, AIR			
36		210035-07210	1	PACKING,DUST	9*13*15L		
37		890098-06210	1	LABEL, CAUTION		Sus. by 890098-06211	
37		890098-06211	1	LABEL, CAUTION			

5. Harness, Dust Blower, No.5



KEY	LV	PART NUMBER	Q'TY	DESCRIPTION	REMARKS	NOTE1	NOTE2
1		300010-07010	1	FRAME, BACKPACK		Sus. by 300010-07011	
1		300010-07011	1	FRAME, BACKPACK			
2		200910-06210	2	CUSHION			
3		200916-07010	1	CUSHION			
4		900292-05010	2	SCREW 5*10	5*10 SUS		
5		250916-06210	3	NUT			
6		300105-08260	1	CUSHION, KNAPSACK	BL	Sus. by 300105-08261	
6		300105-08261	1	CUSHION, KNAPSACK			
7		300333-06160	4	CLIP			
8		300302-07410	2	HARNESS, W/PAD			
9	+	900216-05016	2	SCREW, 5*16	5*16		
10	+	300328-03210	4	WASHER, HARNESS			
11	+	900560-00005	2	NUT, LOCK 5	5		
19		210407-04210	1	CLAMP, FLEXIBLE PIPE			
20		210010-04210	1	PACKING			
21		210012-04210	1	PIPE, FLEXIBLE			
22		210032-04110	1	PACKING, FLX. PIPE			
23		210400-01610	1	CLAMP W/SCREW		Sus. by 210407-01110	
23		210407-01110	1	CLAMP, FLEXIBLE PIPE			
24	+	900242-05030	1	SCREW 5*30	5*30	Can be used 210400-01610 only	

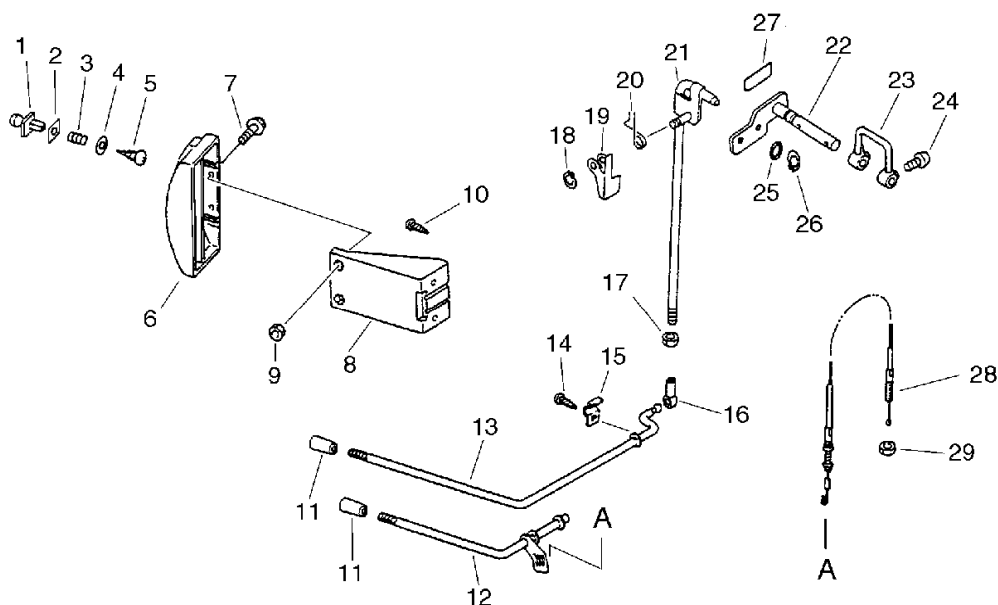
**5. Harness, Dust Blower,
No.5**



KEY	LV	PART NUMBER	Q'TY	DESCRIPTION	REMARKS	NOTE1	NOTE2
26		210002-04110	1	PIPE, SWIVEL (BL)		Sus. by 210002-04111	
26		210002-04111	1	PIPE, SWIVEL	BL		
27		210023-05510	1	PIPE, CURVED			
28		210015-05510	1	PIPE, STRAIGHT			
29		210014-05510	1	PIPE, STRAIGHT			
30		220105-01610	1	CONNECTER KIT			
31	+	220033-01610	1	NUT, HOLLOW			
32	+	220028-01611	1	CONNECTOR			
33		V451-000410	1	SPRING, TENSION			

6. Control Lever

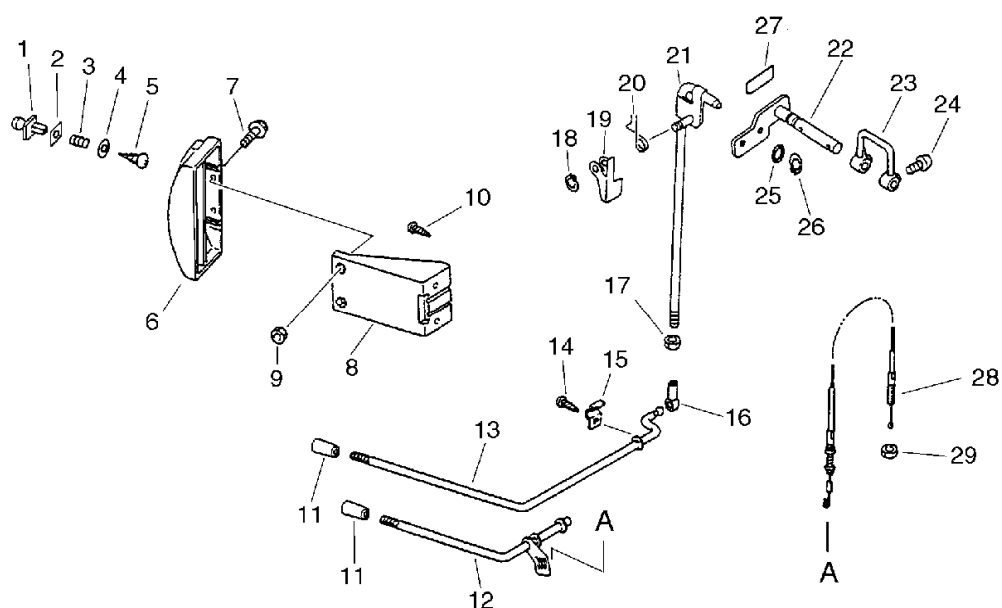
No.6



KEY	LV	PART NUMBER	Q'TY	DESCRIPTION	REMARKS	NOTE1	NOTE2
1		701027-06211	1	STOPPER, DIAL		Sus. by 701027-06212	
1		701027-06212	1	STOPPER, DIAL			
2		701114-06210	1	PLATE, EYE			
3		701016-06210	1	SPRING			
4		701017-06210	1	WASHER			
5		900296-04012	1	SCREW 4*12	4*12 SUS		
6		701110-07010	1	RETAINER			
7		900292-05014	2	SCREW 5*14	5*14 SUS		
8		701112-07010	1	BRACKET, DIAL			
9		900504-00005	2	NUT 5B	5B		
10		900286-05025	2	SCREW 5*25	SUS 5*25 SUS		
11		701021-02910	2	KNOB, LEVER			
12		178005-04210	1	LEVER, THROTTLE		Sus. by 178005-04211	
12		178005-04211	1	CONTROL, THROTTLE			
13		701010-07210	1	LEVER, CONTROL			
14		900286-05016	1	SCREW 5*16	SUS 5*16 SUS		
15		701110-10210	1	HOLDER, LEVER			
16		701020-05510	1	CONNECTOR			
17		900500-00005	1	NUT 5	5		
18		900703-00003	1	E-RING 3	CE-3 SUS		
19		701038-07210	1	PLATE, ANGLE			
20		701039-07210	1	SPRING			
21		701014-07210	1	ROD, CONTROL LEVER			
22		270205-07210	1	SHAFT, SHUTTER			

6. Control Lever

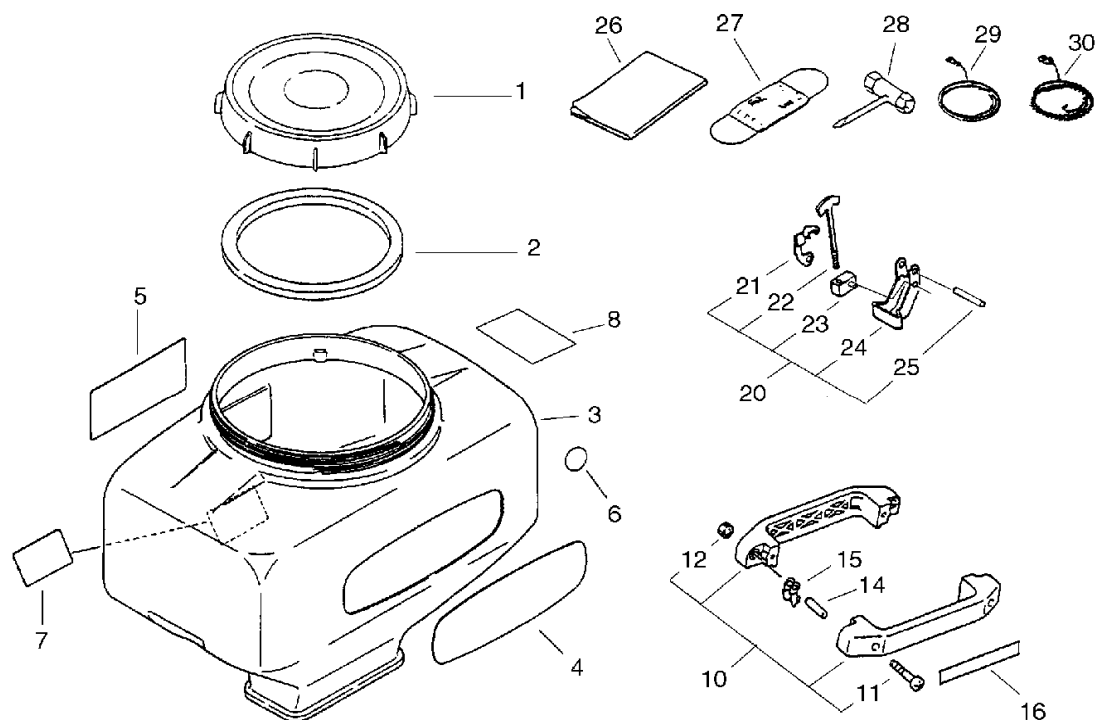
No.6



KEY	LV	PART NUMBER	Q'TY	DESCRIPTION	REMARKS	NOTE1	NOTE2
23		270212-07210	1	ARM, SHUTTER			
24		900292-04014	2	SCREW 4*14	4*14 SUS		
25		900720-00007	1	O-RING 7	P-7		
26		900703-00008	1	E-RING 8 SUS	CE-8 SUS		
27		890032-07110	1	LABEL, SHUTTER			
28		178001-10210	1	WIRE, THROTTLE			
29		900503-00006	1	NUT (3N 6*0.75)	3N 6*0.75		

7. Chemical Tank, Tools

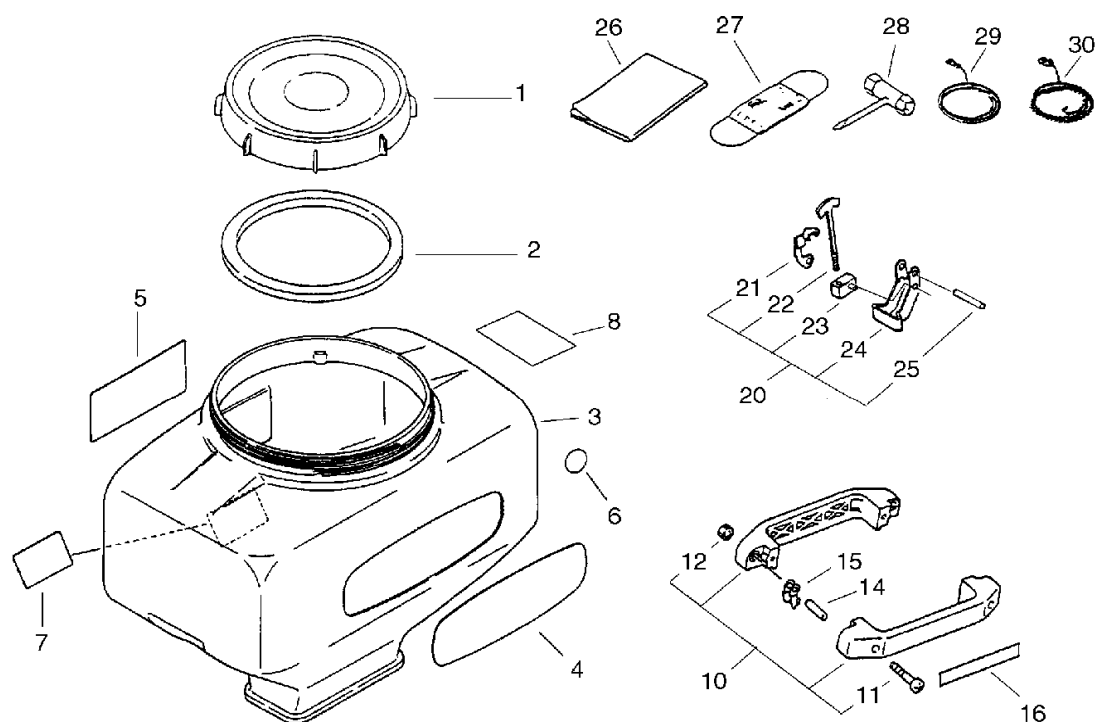
No.7



KEY	LV	PART NUMBER	Q'TY	DESCRIPTION	REMARKS	NOTE1	NOTE2
1		250012-05510	1	CAP, CHEMICAL TANK			
2		250011-02011	1	PACKING			
3		250017-07010	1	TANK, CHEMICAL (13L)		Sus. by 250017-07012	
3		250017-07011	1	TANK, CHEMICAL (13L)		Sus. by 250017-07012	
3		250017-07012	1	TANK, CHEMICAL	13L		
4		890012-12710	1	LABEL, KIORITYZ	52*195		
5		X505-000560	1	LABEL, CAUTION			
6		890035-06210	1	LABEL, EYE CATCHER			
7		890016-07010	1	LABEL, CAUTION		Sus. by 890016-07011	
7		890016-07011	1	LABEL, CAUTION			
8		890016-06210	1	LABEL, CAUTION		Sus. by 890016-06213	
8		890016-06211	1	LABEL, CAUTION		Sus. by 890016-06213	
8		890016-06212	1	LABEL, CAUTION		Sus. by 890016-06213	
8		890016-06213	1	LABEL, CAUTION			
10		250900-07010	1	HOLDER, C. TANK			
11	+	900226-06050	2	SCREW, 6*50	6*50 SUS		
12	+	900504-00006	2	NUT 6B	6B		
14		250914-03210	2	PIN, TANK HOLDER			
15		250925-02910	2	BRACKET, SHUTTER			
16		890112-07011	1	LABEL, MODEL			

7. Chemical Tank, Tools

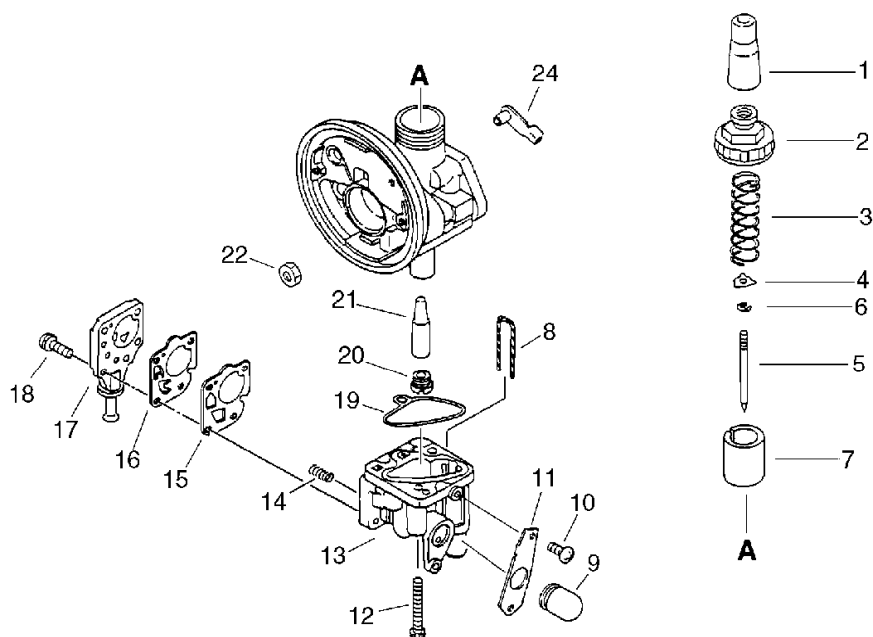
No.7



KEY	LV	PART NUMBER	Q'TY	DESCRIPTION	REMARKS	NOTE1	NOTE2
20		250902-07010	2	BRACKET ASSY,C.TANK			
21	+	250933-04910	2	HOLDER,HOOK			
22	+	250915-04910	2	BOLT, TANK HOLDER			
23	+	250930-06210	2	CONNECTOR, BRACKET			
24	+	250932-06210	2	BRACKET, TANK			
25	+	900333-70380	2	PIN, STRAIGHT			
26		898512-06114	1	MANUAL, OPERATORS	DMD321		
27		898544-01111	1	MASK			
28		895410-00430	1	WRENCH, W/S. DRIVER			
29		898552-02910	1	GRAUND LEAD			
30		898537-02910	1	CHAIN, GRAUND	リード センツキ		

8. Carburetor

No.8



KEY	LV	PART NUMBER	Q'TY	DESCRIPTION	REMARKS	NOTE1	NOTE2
		124200-06110	1	CARBURETOR ASSY	K12PR-6A		
1	+	124174-11120	1	CAP			
2	+	124113-05910	1	COVER, TOP			
3	+	124114-11120	1	SPRING, THROTTLE			
4	+	124115-11120	1	SEAT, SPRING			
5	+	124117-06110	1	NEEDLE, JET			
6	+	124116-05530	1	E-RING			
7	+	124118-05910	1	VALVE, THROTTLE			
8	+	124182-05510	1	WIRE, DRAIN			
9	+	124381-05511	1	CAP			
10	+	900241-04008	2	SCREW 4*8	4*8		
11	+	124163-05510	1	PLATE			
12	+	900241-04030	2	SCREW 4*30 (W/SW)	4*30		
13	+	124124-05910	1	CHAMBER			
14	+	124367-21330	2	SPRING, COIL			
15	+	124363-21330	1	GASKET, PUMP DIAPH.			
16	+	124364-05510	1	DIAPHRAGM, FUEL PUMP			
17	+	124365-05510	1	COVER, PUMP			
18	+	900220-03010	4	SCREW 3*10	3*10		
19	+	124123-05510	1	GASKET, CHAMBER			
20	+	124122-05510	1	JET, MAIN			
21	+	124162-05510	1	JET, NEEDLE			
22	+	124111-05810	1	NUT			
23	+	900605-00006	1	WASHER, SPRING 6	6		
24	+	124142-05810	1	LEVER, CHOKE			

Index

Patrs Number	Key No.	Patrs Number	Key No.	Patrs Number	Key No.
100000-03460	1 - 11	130320-05810	3 - 30	210002-04111	5 - 26
100011-05731	1 - 12	131003-05330	3 - 7	210010-04210	5 - 20
100012-12331	1 - 15	131004-06210	3 - 6	210012-04210	5 - 21
100013-03460	1 - 13	131010-07012	3 - 5	210014-05510	5 - 29
100015-00120	1 - 14	131010-07014	3 - 5	210015-05510	5 - 28
100100-07010	1 - 28	131016-21060	3 - 8	210023-05510	5 - 27
100204-07010	1 - 18	131205-05630	3 - 17	210032-04110	5 - 22
100204-07011	1 - 18	132001-05510	3 - 26	210035-06310	4 - 18
100213-00310	1 - 20	132010-06530	3 - 27	210035-07010	4 - 33
100213-02830	1 - 25	132010-15110	3 - 10	210035-07210	4 - 36
100215-03930	1 - 24	132010-53630	3 - 15	210400-01610	5 - 23
100242-03460	1 - 21	132013-05060	3 - 28	210407-01110	5 - 23
101010-03461	1 - 10	132013-14010	3 - 9	210407-04210	5 - 19
101011-07010	1 - 8	132013-26630	3 - 16	220028-01611	5 - 32
101514-07010	1 - 6	132115-12330	3 - 14	220033-01610	5 - 31
101514-07011	1 - 6	132221-07410	3 - 11	220105-01610	5 - 30
104012-06110	1 - 30	145510-03461	2 - 37	250011-02011	7 - 2
124111-05810	8 - 22	145605-04210	2 - 38	250012-05510	7 - 1
124113-05910	8 - 2	145642-00760	3 - 12	250017-07010	7 - 3
124114-11120	8 - 3	156114-03360	2 - 8	250017-07011	7 - 3
124115-11120	8 - 4	156611-03460	2 - 10	250017-07012	7 - 3
124116-05530	8 - 6	156626-04210	2 - 12	250054-07010	3 - 18
124117-06110	8 - 5	156627-04210	2 - 7	250110-07210	4 - 8
124118-05910	8 - 7	156800-07010	2 - 5	250900-07010	7 - 10
124122-05510	8 - 20	159010-10630	2 - 15	250902-07010	7 - 20
124123-05510	8 - 19	159011-03432	2 - 14	250914-03210	7 - 14
124124-05910	8 - 13	159012-03433	2 - 13	250915-04910	7 - 22
124142-05810	8 - 24	177200-06210	2 - 24	250916-06210	5 - 5
124162-05510	8 - 21	177202-55230	2 - 21	250925-02910	7 - 15
124163-05510	8 - 11	177214-40630	2 - 26	250930-06210	7 - 23
124174-11120	8 - 1	177215-11120	2 - 27	250932-06210	7 - 24
124182-05510	8 - 8	177218-55230	2 - 23	250933-04910	7 - 21
124200-06110	3 - 25	177220-11120	2 - 28	270015-06210	4 - 9
124200-06110	8 -	177226-11120	2 - 29	270106-07210	4 - 11
124363-21330	8 - 15	177227-42030	2 - 30	270110-07210	4 - 15
124364-05510	8 - 16	177228-11120	2 - 31	270119-07210	4 - 17
124365-05510	8 - 17	177234-40630	2 - 22	270205-07210	6 - 22
124367-21330	8 - 14	177236-40630	2 - 25	270210-07210	4 - 13
124381-05511	8 - 9	178001-10210	6 - 28	270212-07210	6 - 23
129011-05110	3 - 33	178005-04210	6 - 12	275100-07212	4 - 5
130010-07010	3 - 24	178005-04211	6 - 12	275100-07213	4 - 5
130016-06410	3 - 22	200010-07060	2 - 4	275105-07211	4 - 16
130017-06410	3 - 23	200010-07061	2 - 4	275123-05510	4 - 12
130307-04211	3 - 32	200105-07110	4 - 25	300010-07010	5 - 1
130310-02910	3 - 37	200107-07110	4 - 26	300010-07011	5 - 1
130311-03710	3 - 38	200107-07111	4 - 26	300029-07010	2 - 34
130313-03710	3 - 40	200910-06210	5 - 2	300105-08260	5 - 6
130317-03710	3 - 36	200916-07010	5 - 3	300105-08261	5 - 6
130319-03710	3 - 35	210002-04110	5 - 26	300302-07410	5 - 8

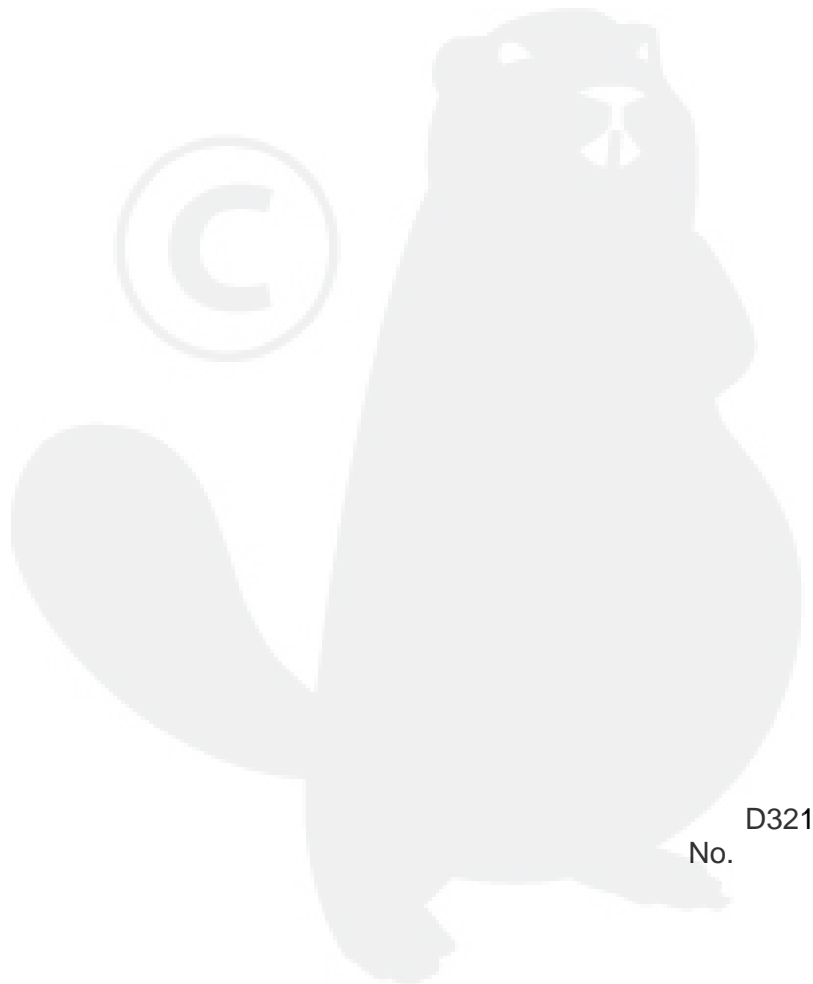
Index

Patrs Number	Key No.	Patrs Number	Key No.	Patrs Number	Key No.
300328-03210	5 - 10	900226-06050	7 - 11	X505-000860	3 - 41
300333-06160	5 - 7	900241-04008	8 - 10		
305117-03360	2 - 35	900241-04030	8 - 12		
370315-07210	4 - 34	900242-04010	1 - 7		
370321-07210	4 - 35	900242-04012	3 - 34		
370605-07211	4 - 27	900242-04014	2 - 11		
701010-07210	6 - 13	900242-04018	2 - 6		
701014-07210	6 - 21	900242-05030	1 - 19		
701016-06210	6 - 3	900242-05030	5 - 24		
701017-06210	6 - 4	900242-05055	3 - 29		
701020-05510	6 - 16	900286-05016	6 - 14		
701021-02910	6 - 11	900286-05025	4 - 28		
701027-06211	6 - 1	900286-05025	6 - 10		
701027-06212	6 - 1	900286-05035	4 - 29		
701038-07210	6 - 19	900292-04014	6 - 24		
701039-07210	6 - 20	900292-04018	2 - 32		
701110-07010	6 - 6	900292-05010	5 - 4		
701110-10210	6 - 15	900292-05014	1 - 31		
701112-07010	6 - 8	900292-05014	4 - 30		
701114-06210	6 - 2	900292-05014	6 - 7		
890012-12710	7 - 4	900292-05020	1 - 26		
890016-06210	7 - 8	900295-04014	4 - 14		
890016-06211	7 - 8	900296-04012	6 - 5		
890016-06212	7 - 8	900323-03014	1 - 29		
890016-06213	7 - 8	900333-70380	7 - 25		
890016-07010	7 - 7	900500-00005	6 - 17		
890016-07011	7 - 7	900500-00008	2 - 1		
890016-07310	3 - 41	900503-00006	6 - 29		
890026-00311	3 - 31	900504-00005	4 - 32		
890032-07110	6 - 27	900504-00005	6 - 9		
890035-06210	7 - 6	900504-00006	7 - 12		
890053-56330	2 - 33	900539-00005	4 - 7		
890098-06210	4 - 37	900560-00005	5 - 11		
890098-06211	4 - 37	900602-00008	2 - 3		
890112-07011	7 - 16	900602-00008	2 - 20		
890187-03710	3 - 39	900605-00006	8 - 23		
895410-00430	7 - 28	900605-00008	2 - 2		
898512-06114	7 - 26	900702-00035	1 - 23		
898537-02910	7 - 30	900703-00003	6 - 18		
898544-01111	7 - 27	900703-00008	6 - 26		
898552-02910	7 - 29	900720-00004	4 - 6		
900148-05020	2 - 16	900720-00004	4 - 31		
900162-05020	1 - 9	900720-00007	4 - 19		
900162-06020	2 - 39	900720-00007	6 - 25		
900216-05016	5 - 9	900810-36202	1 - 22		
900220-03010	8 - 18	E127-000000	4 - 8		
900220-06010	3 - 13	V150-000580	4 - 20		
900220-06014	3 - 13	V451-000410	5 - 33		
900226-04010	4 - 10	X505-000560	7 - 5		

YAMABIKO CORPORATION

7-2 SUEHIROCHO 1-CHOME, OHME, TOKYO 198-8760, JAPAN
PHONE: 81-428-32-6118. FAX: 81-428-32-6145.

ECHO[®]



D321
No.