



# **PARTS CATALOG**

**DUSTER / MIST BLOWER**

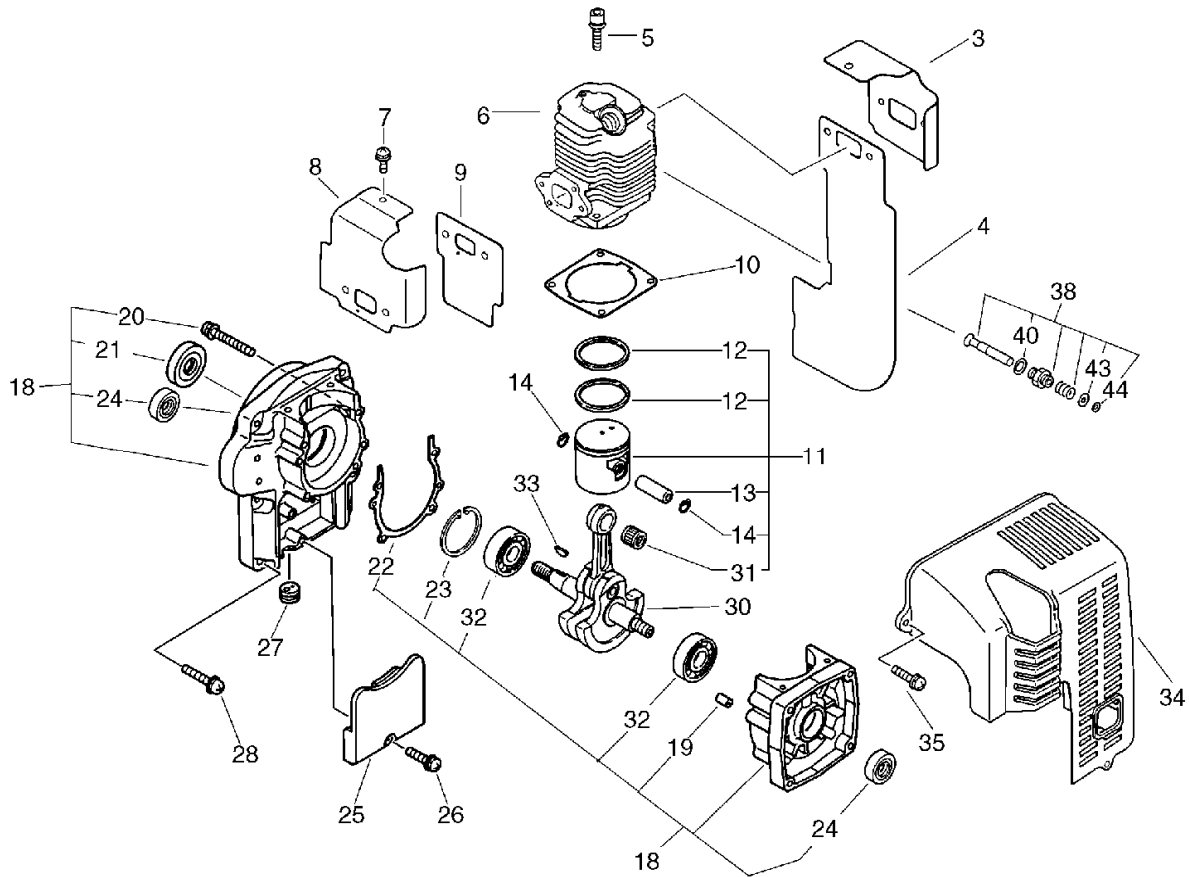
**DMC4601-23,F23S**



DMC4601-23,F23S

# 1. Cylinder, Crankcase, Piston

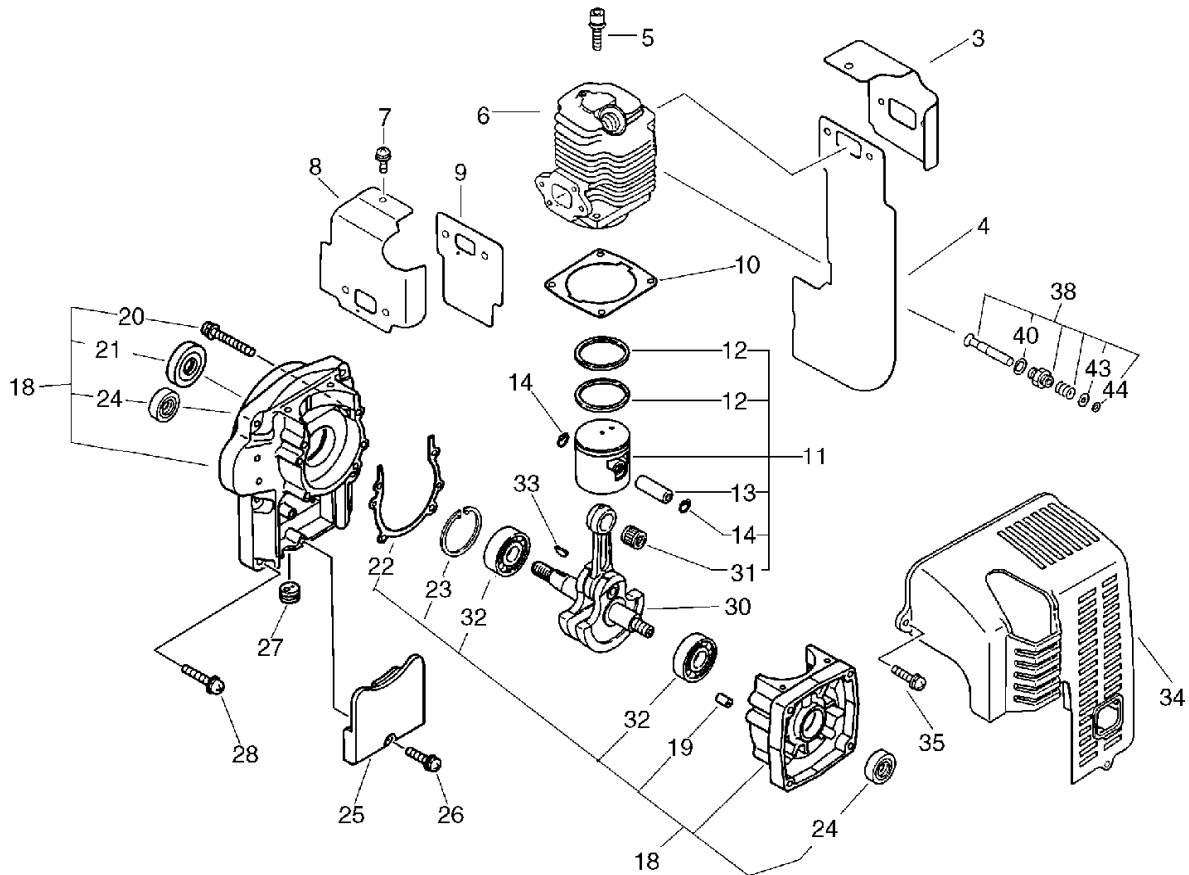
No.1



KEY	LV	PART NUMBER	Q'TY	DESCRIPTION	REMARKS	NOTE1	NOTE2
3		101514-06210	1	COVER, CYLINDER			
4		145512-06210	1	GASKET, MUFFLER		Sus. by 145512-06211	
4		145512-06211	1	GASKET, MUFFLER			
5		900162-05020	4	BOLT, H.S. 5*20	5*20 W,SW		
6		101011-06810	1	CYLINDER			
7		900242-05010	1	SCREW 5*10	5*10		
8		101514-06410	1	COVER, CYLINDER			
9		130010-06410	1	GASKET, INTAKE			
10		101010-10721	1	GASKET, CYL. BASE		Sus. by 101010-10722	
10		101010-10722	1	GASKET, CYL. BASE			
11		100000-03210	1	PISTON KIT			
12	+	100011-10530	2	RING, PISTON			
13	+	100013-00410	1	PIN, PISTON	6*10*29.8		
14	+	100015-00120	2	CIRCLIP, PISTON PIN			
31	+	100012-12330	1	BEARING, NEEDLE		Sus. by 100012-12331	
31	+	100012-12331	1	BEARING, NEEDLE			
18		100204-08260	1	CRANKCASE KIT		Sus. by 100204-08261	
18		100204-08261	1	CRANKCASE KIT			
19	+	100215-03930	2	PIN, DOWEL			
20	+	900242-05040	4	SCREW 5*40	5*40		
21	+	100213-02830	1	OILSEAL	ISMx15,35,6	Sr/Nr 004883 and before	

# 1. Cylinder, Crankcase, Piston

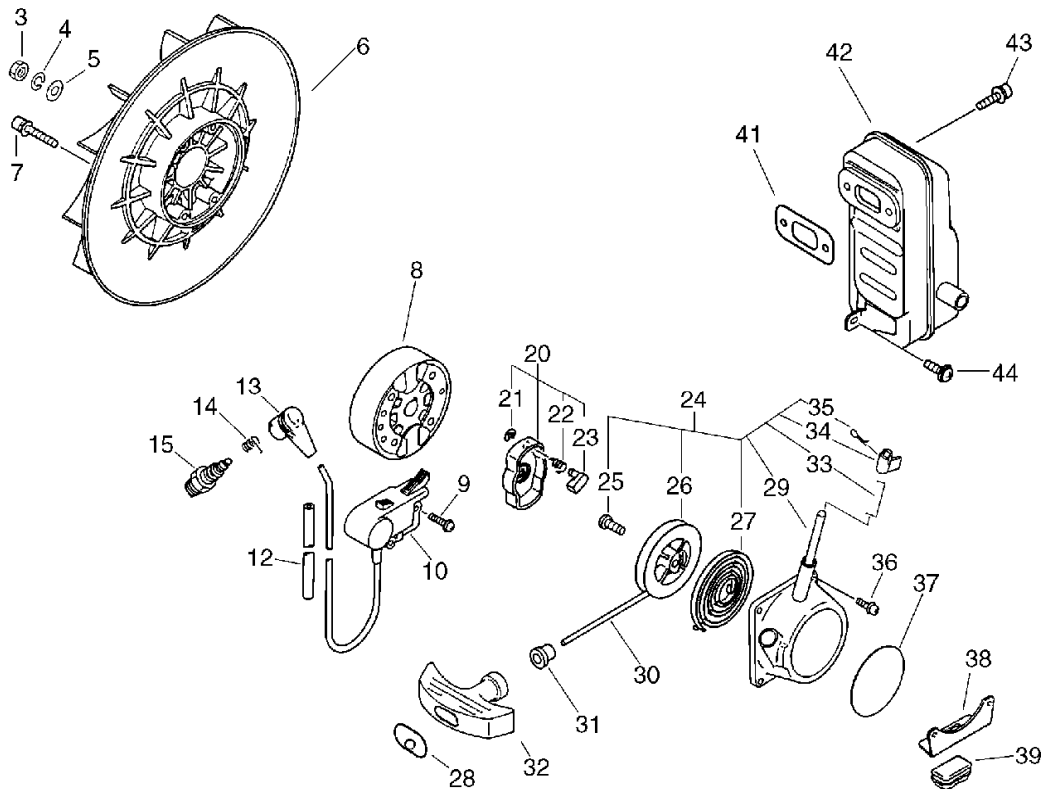
## No.1



KEY	LV	PART NUMBER	Q'TY	DESCRIPTION	REMARKS	NOTE1	NOTE2
22	+	100242-10720	1	GASKET, CRANKCASE		Sus. by 100242-10721	
22	+	100242-10721	1	GASKET, CRANKCASE			
23	+	900702-00035	1	CIRCLIP 35	CR-35	Sr/Nr 004883 and before	
24	+	100213-00310	1	OILSEAL	ISCD 15 25 7	Sr/Nr 004883 and before	
24	+	100213-00310	2	OILSEAL	ISCD 15 25 7	Sr/Nr 004884 and after	
32	+	900810-36202	2	BEARING, BALL 6202	6202/C3		
25		159129-08260	1	COVER, DUST			
26		900242-05016	1	SCREW 5*16	5*16	Sus. by 900242-05018	
26		900242-05018	1	SCREW 5*18	5*18		
27		150112-00310	1	BUSHING			
28		900292-05025	6	SCREW 5*25	5*25 SUS		
30		100100-06210	1	CRANKSHAFT ASSY			
33		900323-03014	1	KEY WOODRUFF	3*14		
34		104016-06410	1	COVER, ENGINE			
35		900292-05020	3	SCREW 5*20	5*20 SUS		
38		101100-06810	1	RELEASE ASSY, COMP.			
40	+	101112-52030	1	GASKET, V.SEAT			
43	+	900620-00004	1	WASHER 4	4 SUS		
44	+	900703-00003	1	E-RING 3	CE-3 SUS		

## 2. Starter, Magneto, Muffler

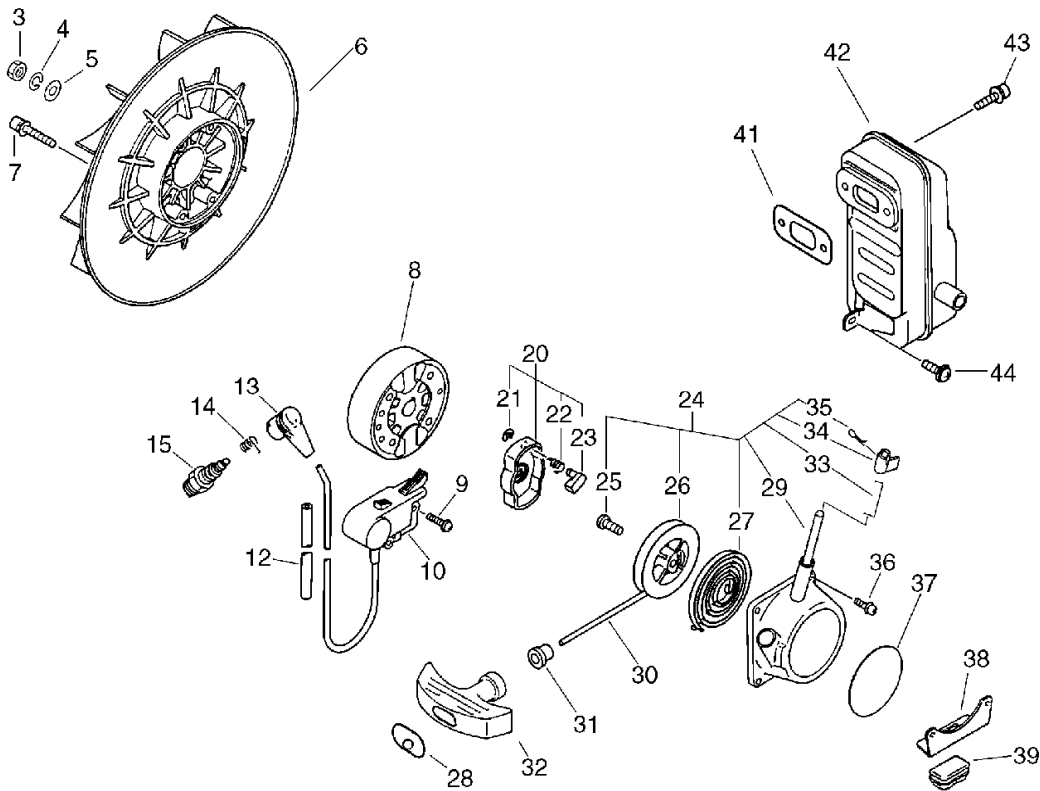
No.2



KEY	LV	PART NUMBER	Q'TY	DESCRIPTION	REMARKS	NOTE1	NOTE2
3		900501-00010	1	NUT 10*1.25	10*P1.25		
4		900605-00010	1	WASHER, SPRING 10	10		
5		900602-00010	1	WASHER 10(10.5*21*2)	10.5*21*2		
6		200005-06210	1	FAN			
7		900148-05035	4	BOLT 5*35	5*35		
8		156800-06161	1	ROTOR, MAGNETO			
9		900242-05018	2	SCREW 5*18	5*18		
10		156601-06210	1	C.D. GNITION MODULE		Sus. by 156601-06211	
10		156601-06211	1	C.D. IGNITION MODULE			
12		156611-04260	1	TUBE	6*8*340		
13		159012-03433	1	CAP, SPARK PLUG			
14		159011-03432	1	COIL, SPARK PLUG			
15		159010-19630	1	PLUG, SPARK (BPM-7Y)	BPM-7Y		
20		177202-06210	1	PAWL ASSY, STARTER			
21	+	900700-00004	1	E-RING 4	CE-4		
22	+	177234-40630	1	SPRING, RETURN			
23	+	177218-40630	1	PAWL, STARTER	WHITE		
24		177200-06910	1	STARTER ASSY			
25	+	177236-06910	1	SCREW			
26	+	177215-06910	1	DRUM, STARTER			
27	+	177220-11120	1	REWIND SPRING			
28	+	177246-11120	1	CLIP, STARTER ROPE			
29	+	177279-06910	1	SHAFT, STARTER			
30	+	177226-11120	1	ROPE, STARTER	3.8*1400		
31	+	177227-42030	1	GUIDE, ROPE			

## 2. Starter, Magneto, Muffler

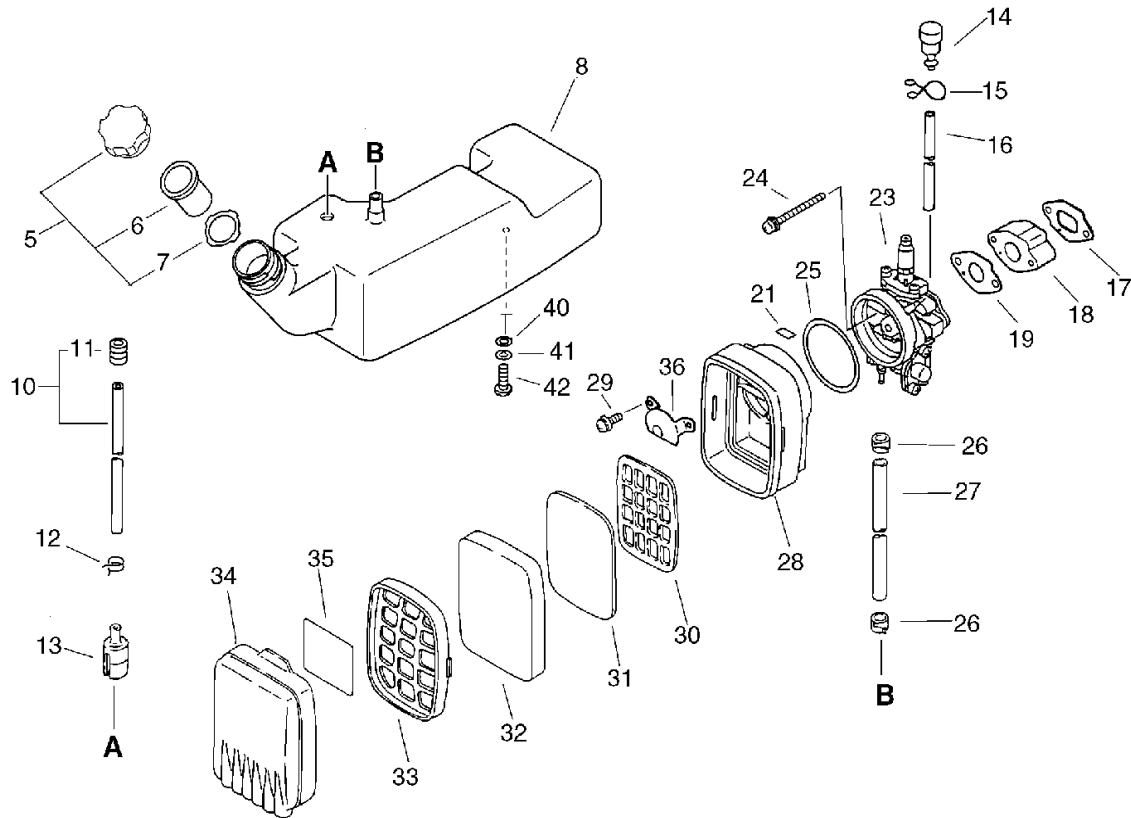
No.2



KEY	LV	PART NUMBER	Q'TY	DESCRIPTION	REMARKS	NOTE1	NOTE2
32	+	177228-11120	1	GRIP, STARTER			
33	+	177234-06910	1	SPRING, RETURN			
34	+	177280-06910	1	PLATE, CAM			
35	+	900300-12015	1	PIN, SPLIT 1.2*15	1.2*15	Sus. by P022-005100	
35	+	P022-005100	1	PIN,SPLIT			
36		900238-04018	4	SCREW 4*18	4*18		
37		890053-00462	1	LABEL, KIORITZ		Sus. by 890053-56330	
37		890053-56330	1	LABEL,KIORITZ 56.5MM	56.5		
38		300029-06210	1	PLATE, ANGLE			
39		305117-03360	1	CUSHION			
41		145510-06210	1	GASKET, MUFFLER		Sus. by145510-06211	
41		145510-06211	1	GASKET, MUFFLER			
42		145610-06210	1	MUFFLER		Sus. by145610-06212	
42		145610-06211	1	MUFFLER		Sus. by145610-06212	
42		145610-06212	1	MUFFLER			
43		900105-06020	2	BOLT, H.S. 6*20	6*20		
44		900242-05014	1	SCREW 5*14	5*14		

### 3. Air Cleaner, Fuel Tank

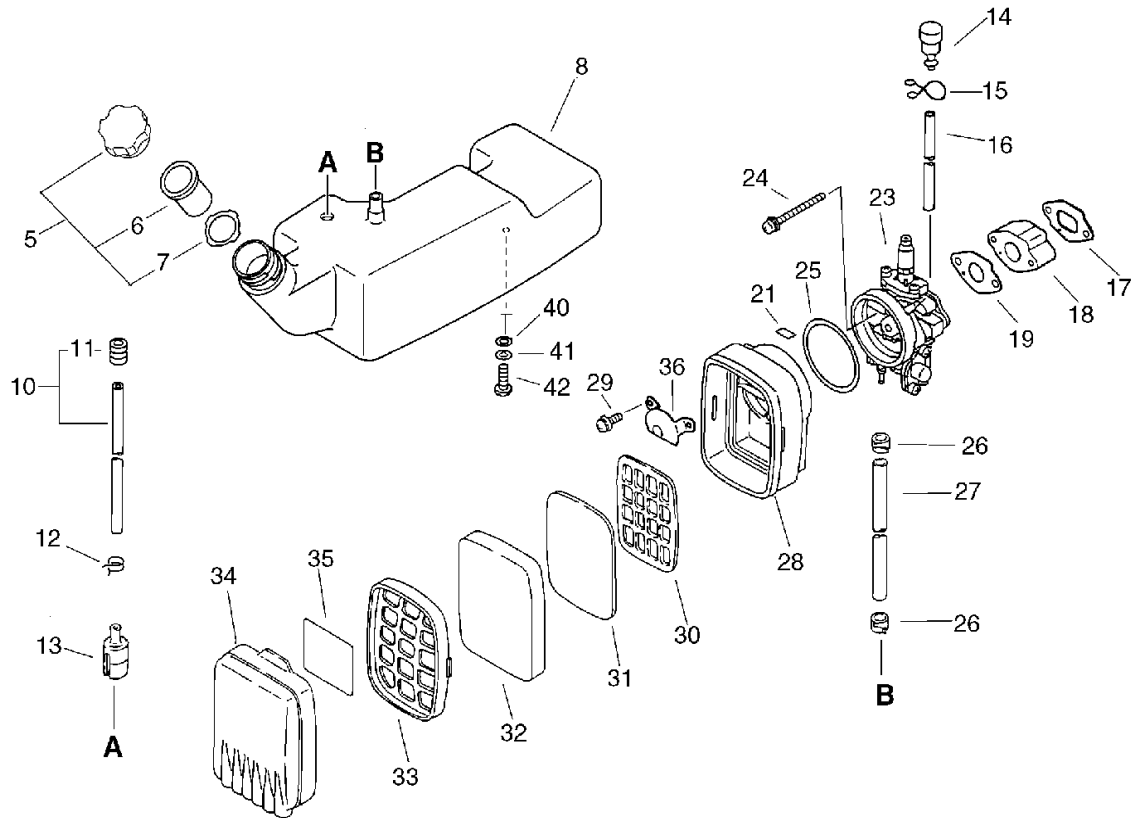
No.3



KEY	LV	PART NUMBER	Q'TY	DESCRIPTION	REMARKS	NOTE1	NOTE2
5		131004-07132	1	CAP ASS'Y, FUEL TANK		Sus. by 131004-06210	
5		131004-06210	1	CAP ASSY, FUEL			
6	+	131003-05330	1	CUP SET, VENT			
7	+	131016-21230	1	GASKET, FUEL CAP		Can be used on the 131004-07132 only	
7	+	131016-21060	1	GASKET, FUEL CAP		Can be used on the 131004-06210 only	
8		131005-06210	1	TANK, FUEL		Sus. by 131005-06213	
8		131005-06211	1	TANK, FUEL		Sus. by 131005-06213	
8		131005-06212	1	TANK, FUEL		Sus. by 131005-06213	
8		131005-06213	1	TANK, FUEL			
10		132007-14331	1	PIPE, FUEL W/GROMMET			
11	+	132115-12330	1	GROMMET			
12		132013-26630	1	CLIP	6.5MM		
13		131205-30830	1	STRAINER, FUEL		Sus. by 131205-19830	
13		131205-19830	1	STRAINER, FUEL			
14		132001-05510	1	VALVE, CHECK			
15		132013-05060	1	CLIP, PIPE			
16		132010-06530	1	PIPE 3*6* 85	3*6* 85		

## 3. Air Cleaner, Fuel Tank

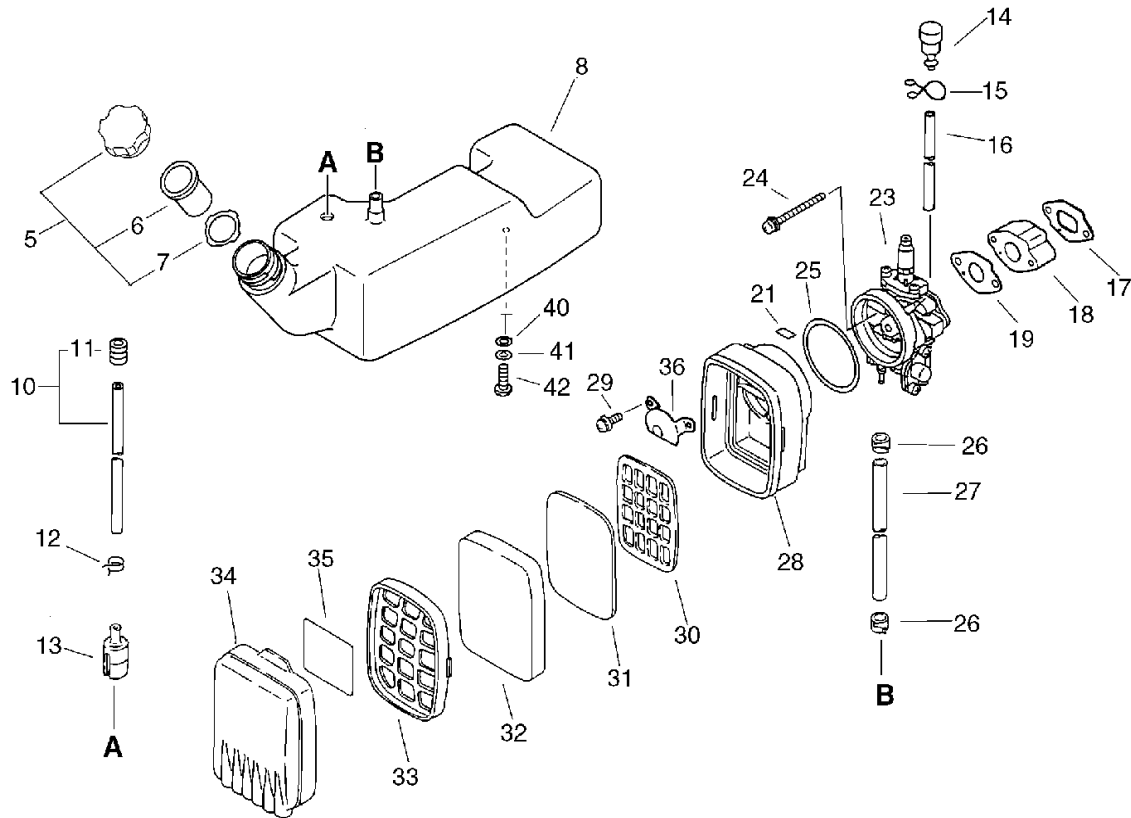
No.3



KEY	LV	PART NUMBER	Q'TY	DESCRIPTION	REMARKS	NOTE1	NOTE2
17		130016-06410	1	GASKET, INTAKE			
18		130017-06410	1	INSULATOR			
19		130016-06110	1	GASKET, INTAKE			
21		890026-00310	1	LABEL, CHOKE		Sus. by 890026-00311	
21		890026-00311	1	LABEL, CHOK			
23		124200-06410	1	CARBURETOR ASSY	K13PR-6E		
24		900242-05055	2	SCREW 5*55 (W/W.SW)	5*55		
25		130320-05810	1	SEAL, CLEANER			
26		357013-00210	2	CLIP 11	11≧リ	Sus.by 132013-14010	
26		132013-14010	2	BAND	10.5MM		
27		132010-06210	1	PIPE 7*11*70	7*11*70	Sus.by 132010-06410	
27		132010-06410	1	PIPE	5/16*7/16*75YL		
28		130307-03711	1	CASE, AIR CLEANER			
29		900242-04014	2	SCREW 4*14	4*14		
36		129011-05110	1	PLATE			
30		130319-03710	1	GRID, AIR CLEANER			
31		130317-03710	1	FILTER, AIR			
32		130310-02910	1	FILTER, AIR			
33		130311-03710	1	GRID, AIR CLEANER			
34		130313-03710	1	COVER, AIR CLEANER			
35		890187-03710	1	LABEL, CLEANER			
40		145642-00760	2	WASHER 6.5*18*1.6	6.5*18*1.6		

### 3. Air Cleaner, Fuel Tank

No.3

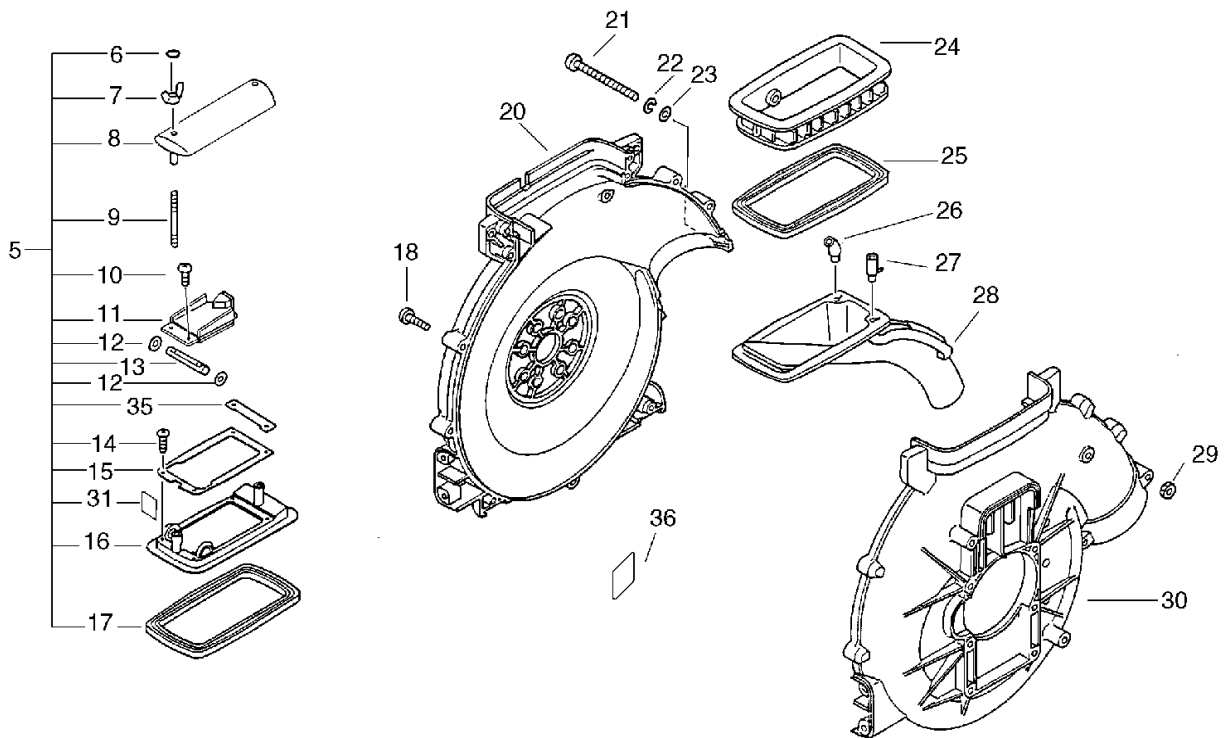


KEY	LV	PART NUMBER	Q'TY	DESCRIPTION	REMARKS	NOTE1	NOTE2
41		900605-00006	2	WASHER, SPRING 6	6		
42		900220-06014	2	SCREW +-SR 6*14	6*14		



## 4. Fan Case, Lower Tank

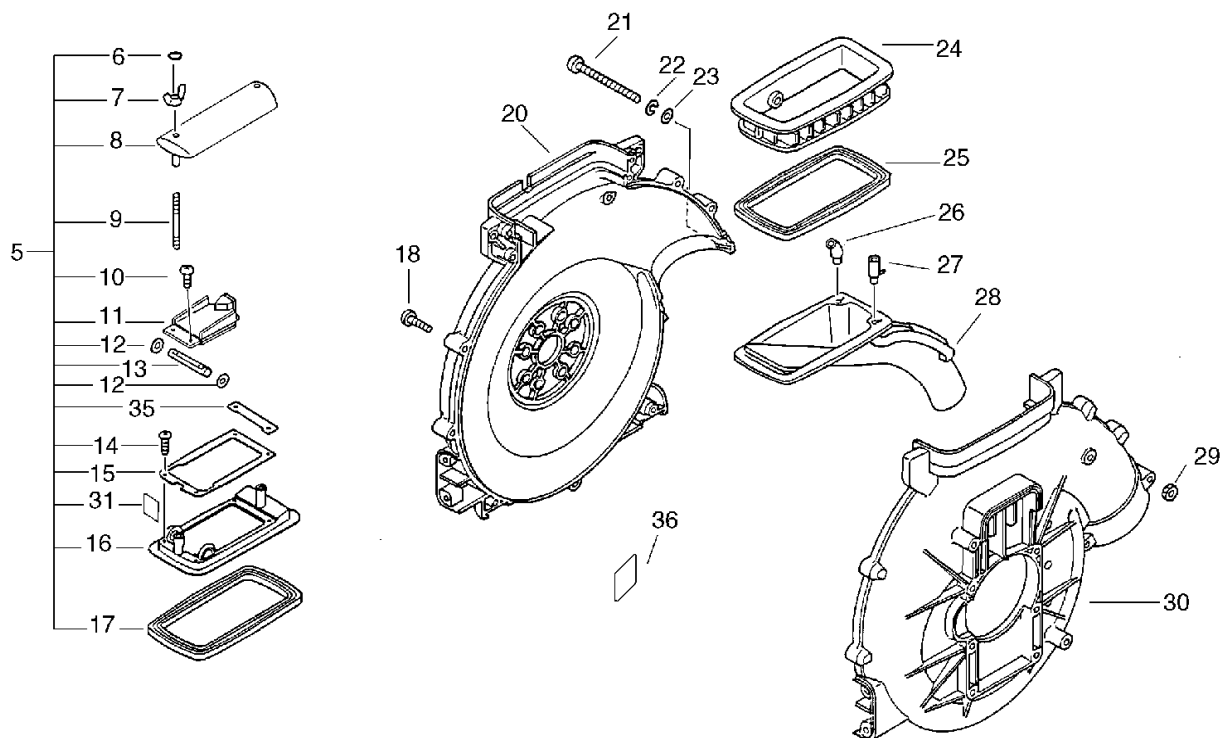
No.4



KEY	LV	PART NUMBER	Q'TY	DESCRIPTION	REMARKS	NOTE1	NOTE2
5		275100-06310	1	SHUTTER ASSY		Sus. by 275100-06314	
5		275100-06312	1	SHUTTER ASSY		Sus. by 275100-06314	
5		275100-06313	1	SHUTTER ASY		Sus. by 275100-06314	
5		275100-06314	1	SHUTTER ASY			
6	+	900720-00004	2	O-RING (P-4)	P-4	Sr/Nr 003000 and before	
6	+	900720-00004	1	O-RING (P-4)	P-4	Sr/Nr 003001 and after	
7	+	900539-00005	2	NUT, WING 5	5	Sr/Nr 003000 and before	
7	+	900539-00005	1	NUT, WING 5	5	Sr/Nr 003001 and after	
8	+	250110-06210	1	PLATE, STABILIZER		Sr/Nr 003000 and before	
8	+	250110-06211	1	PLATE,STABILIZER		Sr/Nr 003001 to 004635	
8	+	250110-06212	1	STABILIZER		Sr/Nr 004636 and after	
9	+	270015-06210	2	STUD	5*60	Sr/Nr 003000 and before	
9	+	270015-06210	1	STUD	5*60	Sr/Nr 003001 to 004635	

## 4. Fan Case, Lower Tank

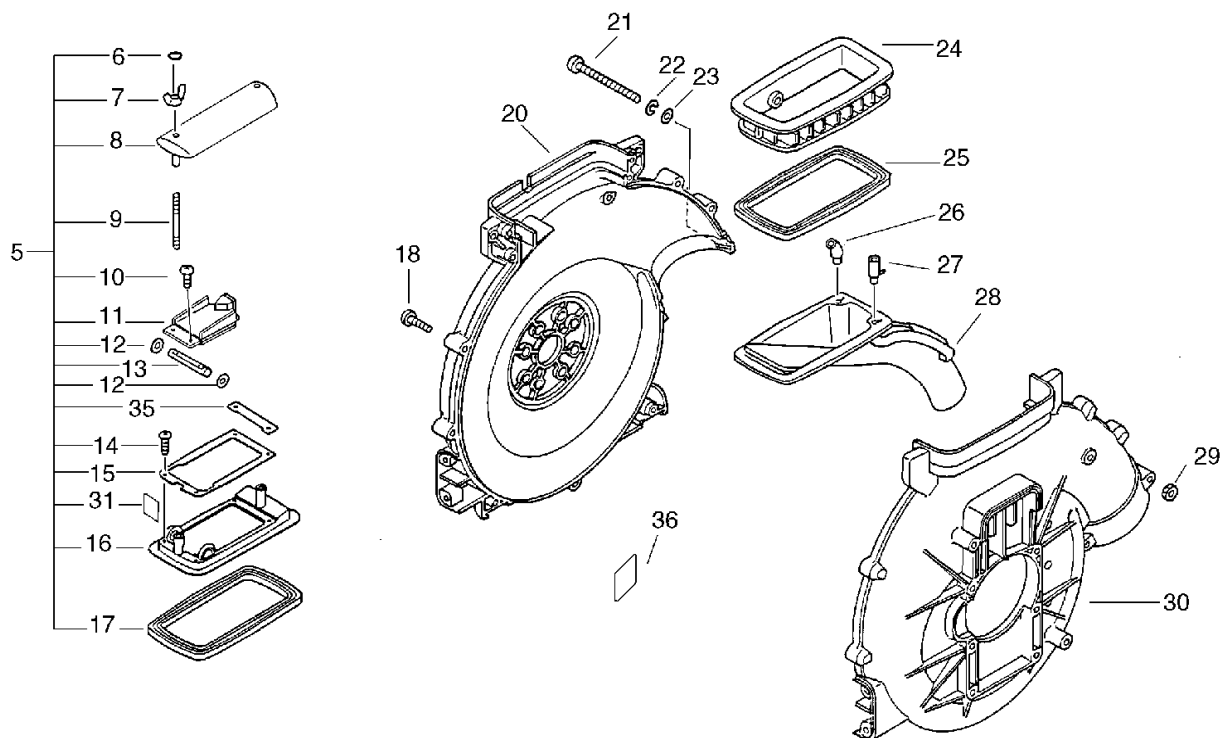
No.4



KEY	LV	PART NUMBER	Q'TY	DESCRIPTION	REMARKS	NOTE1	NOTE2
9	+	270015-06211	1	BOLT, STUD	5*50	Sr/Nr 004636 and after	
10	+	900226-04010	2	SCREW, 4*10	4*10 SUS		
11	+	275106-06310	1	SHUTTER, METERING		Sus. by 275106-06410	
11	+	275106-06311	1	SHUTTER, METERING		Sus. by 275106-06410	
11	+	275106-06410	1	SHUTTER ASY			
12	+	275123-05510	2	SPACER 10*19.5*0.3	10*19.5*0.3		
13	+	270153-06210	1	SHAFT, SHUTTER			
14	+	900295-04014	4	SCREW 4*14	4*14 SUS		
15	+	270110-06210	1	SHUTTER			
16	+	270112-06210	1	SHUTTER, METERING		Sus. by 270112-06211	
16	+	270112-06211	1	SHUTTER, METERING			
17	+	270119-06210	1	GASKET, SHUTTER			
31	+	210035-06310	1	PACKING, DUST			
35	+	270122-06211	1	PLATE, EYE			
18		900286-05025	11	SCREW 5*25 SUS	5*25 SUS		
20		200107-06210	1	CASE, FAN		Sus. by 200107-06310	
20		200107-06310	1	CASE, FAN			
21		210425-04110	2	BOLT			
22		900609-00005	2	WASHER, SPRING 5 SUS	5 SUS		
23		900604-00005	2	WASHER 5 SUS	5 SUS		

## 4. Fan Case, Lower Tank

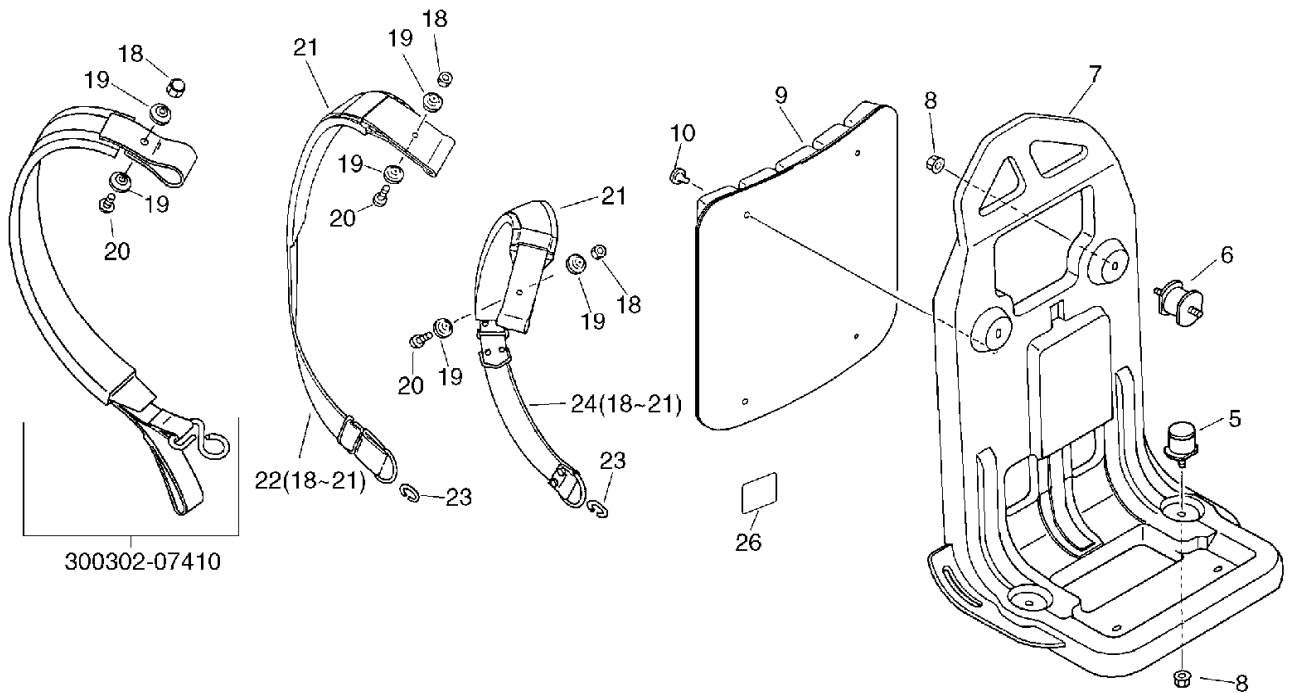
No.4



KEY	LV	PART NUMBER	Q'TY	DESCRIPTION	REMARKS	NOTE1	NOTE2
24		270010-06210	1	TANK, LOWER		Sus. by 270010-06211	
24		270010-06211	1	TANK, LOWER			
25		270018-06210	1	PACKING			
26		370321-06210	1	PLATE			
27		370316-06210	1	GUIDE, AIR			
28		370301-06210	1	PIPE, DUST OUTLET		Sus. by 370301-06211	
28		370301-06211	1	PIPE, DUST OUTLET			
29		900504-00005	2	NUT 5B	5B		
30		200105-06210	1	CASE, FAN		Sus. by 200105-06310	
30		200105-06310	1	CASE, FAN			
36		890035-48631	1	LABEL			

5. Harness

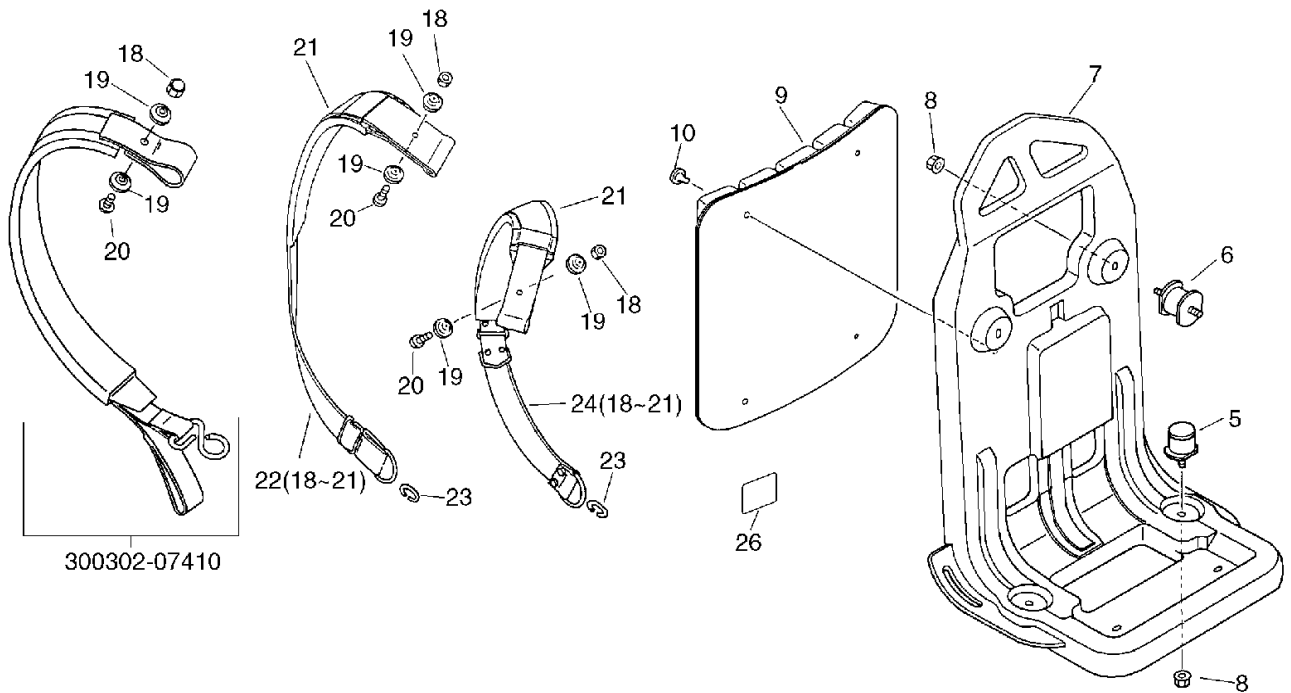
No.5



KEY	LV	PART NUMBER	Q'TY	DESCRIPTION	REMARKS	NOTE1	NOTE2
5		200916-03210	2	CUSHION			
6		200910-06210	2	CUSHION			
7		300010-06410	1	FRAME, KNAPSACK			
8		250916-06210	4	NUT			
9		300111-06410	1	CUSHION, KNAPSACK			
10		300333-06410	4	CLIP			
22		300302-03210	1	HARNEES W/PAD		Sus. by 300302-07410	
22		300302-07410	1	HARNESS, W/PAD			
18	+	900560-00005	1	NUT, LOCK 5	5		
19	+	300328-03210	2	WASHER, HARNESS			
20	+	900216-05014	1	SCREW 5*14	5*14	Can be used on the 300302-03210 only	
20	+	900216-05016	1	SCREW, 5*16	5*16	Can be used on the 300302-07410 only	
21	+	300322-03210	1	PAD, KNAPSACK HARNES		Can be used on the 300302-03210 only	
23		300318-06210	2	HOOK		Can be used on 300302-03210 and 300302-04910	
24		300302-04910	1	HARNESS W/PAD		Sus. by 300302-07410	

5. Harness

No.5

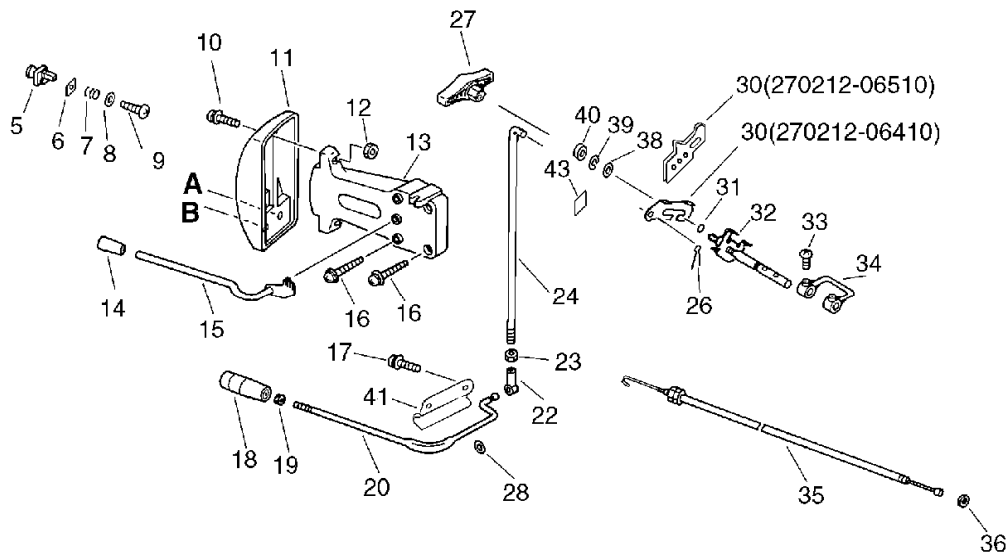


300302-07410

KEY	LV	PART NUMBER	Q'TY	DESCRIPTION	REMARKS	NOTE1	NOTE2
24		300302-07410	1	HARNESS, W/PAD			
18	+	900560-00005	1	NUT, LOCK 5	5		
19	+	300328-03210	2	WASHER, HARNESS			
20	+	900216-05014	1	SCREW 5*14	5*14	Can be used on the 300302-04910 only	
20	+	900216-05016	1	SCREW, 5*16	5*16	Can be used on the 300302-07410 only	
21	+	300322-03210	1	PAD, KNAPSACK HARNES		Can be used on the 300302-04910 only	

## 6. Control Lever

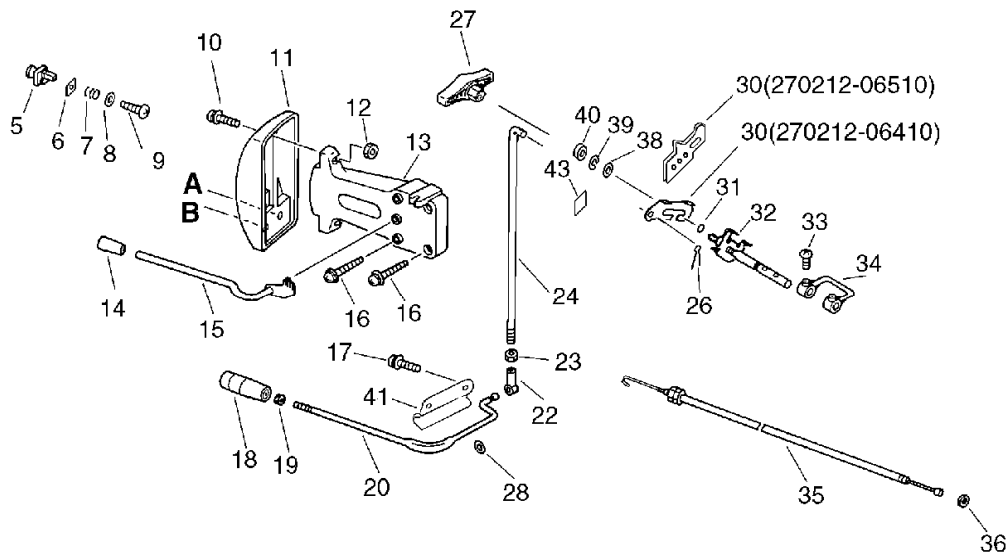
No.6



KEY	LV	PART NUMBER	Q'TY	DESCRIPTION	REMARKS	NOTE1	NOTE2
5		701027-06210	1	STOPPER, DIAL		Sus. by 701027-06212	
5		701027-06211	1	STOPPER, DIAL		Sus. by 701027-06212	
5		701027-06212	1	STOPPER, DIAL			
6		701114-06210	1	PLATE, EYE			
7		701016-06210	1	SPRING			
8		701017-06210	1	WASHER			
9		900296-04012	1	SCREW 4*12	4*12 SUS		
10		900292-05025	2	SCREW 5*25	5*25 SUS		
11		701111-06210	1	DIAL		Sus. by 701111-06212	
11		701111-06211	1	DIAL		Sus. by 701111-06212	
11		701111-06212	1	DIAL			
12		900504-00005	2	NUT 5B	5B		
13		701112-06210	1	BRACKET, DIAL			
14		701021-02910	1	KNOB, LEVER			
15		178005-06410	1	LEVER, THROTTLE		Sus. by 178005-06411	
15		178005-06411	1	LEVER, THROTTLE			
16		900286-05025	4	SCREW 5*25	SUS	5*25 SUS	
17		900286-05016	2	SCREW 5*16	SUS	5*16 SUS	
18		701007-06610	1	KNOB, LEVER			
19		900502-00006	1	NUT 6 (3N)		3N6	
20		701010-06610	1	LEVER, CONTROL			

## 6. Control Lever

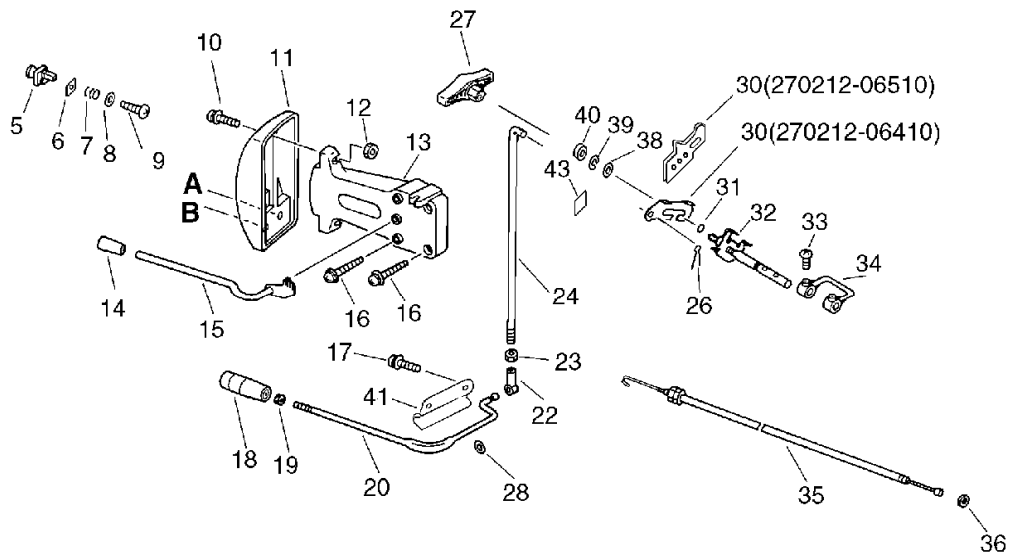
No.6



KEY	LV	PART NUMBER	Q'TY	DESCRIPTION	REMARKS	NOTE1	NOTE2
22		701020-05510	1	CONNECTOR			
23		900500-00005	1	NUT 5	5		
24		701014-06210	1	ROD, CONTROL LEVER		Sus. by 701014-06510	
24		701014-06510	1	ROD, CONTROL LEVER			
26		605612-06810	1	PIN, SNAP		Sr/Nr 003715 and before	
26		605612-06510	1	PIN, SNAP		Sr/Nr 003716 and after	
27		270207-04310	1	NUT (BS)			
28		900600-00008	1	WASHER 8	8		
30		270212-06410	1	ARM, SHUTTER		Sr/Nr 003715 and before	
30		270212-06510	1	ARM, SHUTTER		Sr/Nr 003716 and after	
31		900720-00007	1	O-RING 7	P-7		
32		270205-06410	1	SHAFT, SHUTTER		Sus. by 270205-06411	
32		270205-06411	1	SHAFT, SHUTTER			
33		900292-04014	2	SCREW 4*14	4*14 SUS		
34		270216-06210	1	ARM			
35		178001-05810	1	WIRE, THROTTLE			
36		900503-00006	1	NUT (3N 6*0.75)	3N 6*0.75		
38		900604-00006	1	WASHER 6(SUS)	6 SUS	Sr/Nr 003716 and after	

## 6. Control Lever

No.6

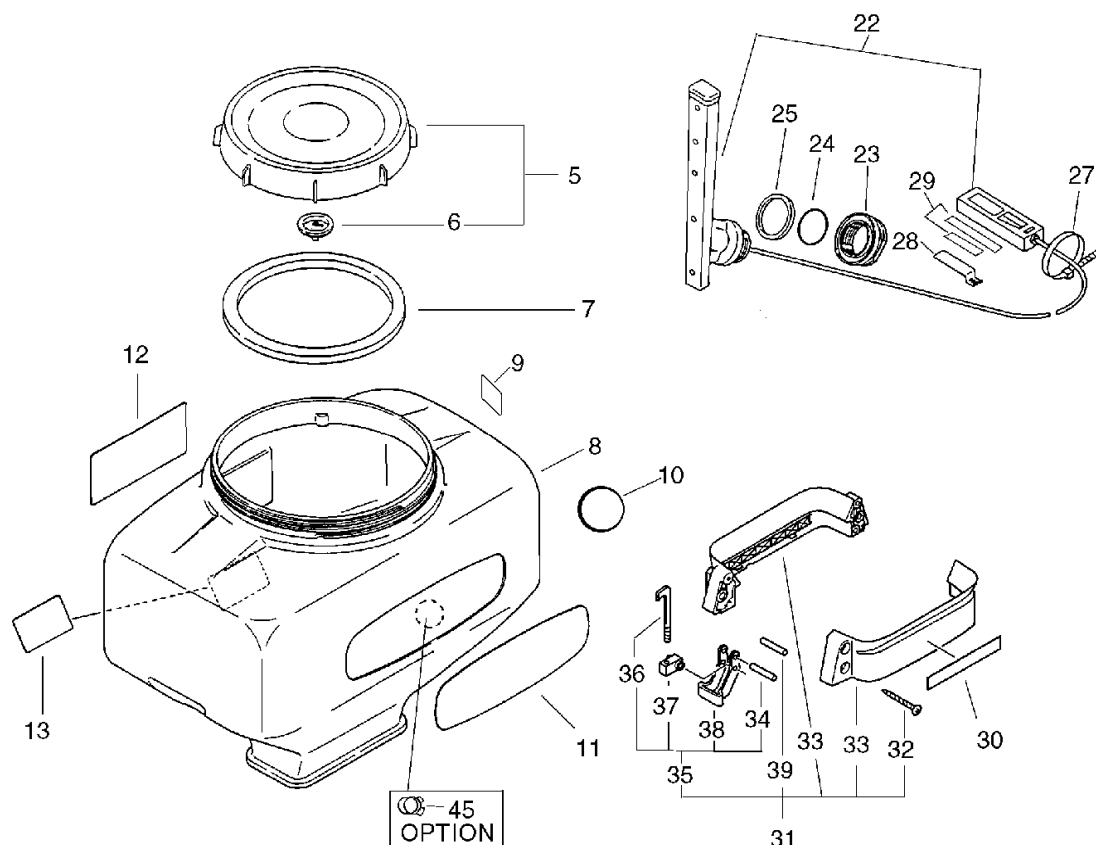


KEY	LV	PART NUMBER	Q'TY	DESCRIPTION	REMARKS	NOTE1	NOTE2
39		900609-00006	1	WASHER, SPRING 6 SUS	6 SUS	Sr/Nr 003716 and after	
40		900509-00006	1	NUT 6 SUS	6 SUS	Sr/Nr 003716 and after	
41		701028-06210	1	HOLDER, STOPPER			
43		890991-06510	1	LABEL		Sr/Nr 003716 and after	



## 7. Chemical Tank

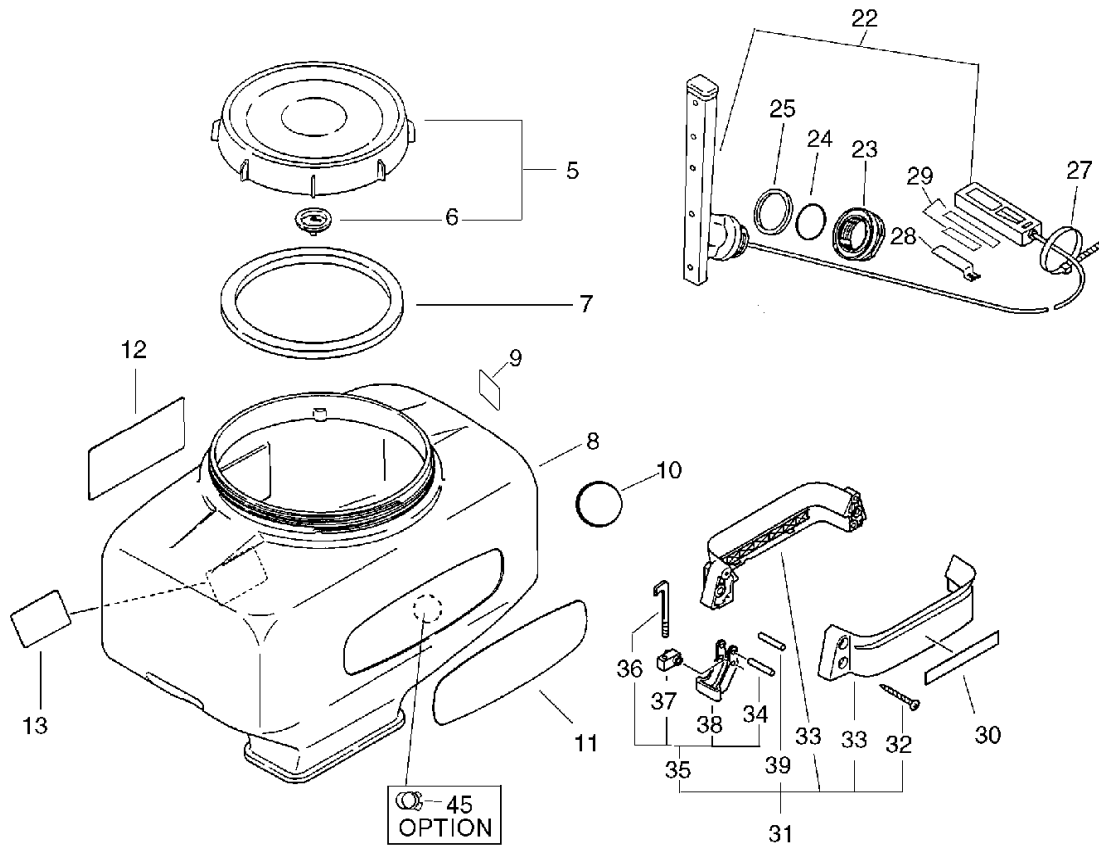
No.7



KEY	LV	PART NUMBER	Q'TY	DESCRIPTION	REMARKS	NOTE1	NOTE2
5		250001-05510	1	CAP, CHEMICAL TANK			
6	+	250013-00310	1	CAP, INSIDE			
7		250011-02011	1	PACKING			
8		250010-06410	1	TANK, CHEMICAL (23L)		Sus. by 250010-06412	
8		250010-06411	1	TANK, CHEMICAL (23L)		Sus. by 250010-06412	
8		250010-06412	1	TANK, CHEMICAL	23L	DMC4601-23	
8		250010-06510	1	TANK, CHEMICAL (23L)		Sus. by 250010-06512	
8		250010-06511	1	TANK, CHEMICAL (23L)	ザンリヨウケイタイ <sup>®</sup>	Sus. by 250010-06512	
8		250010-06512	1	TANK, CHEMICAL	23L	DMC4601-F23	
9		880850-06210	1	TAPE, MAGIC			
10		890035-06210	1	LABEL, EYE CATCHER			
11		890012-10510	1	LABEL, KIORITZ		Sus. by 890012-07510	
11		890012-07510	1	LABEL, KIORITZ			
12		890080-06211	1	LABEL, CAUTION			
13		890022-06310	1	LABEL		Sus. by 890080-06610	
13		890080-06610	1	LABEL, CAUTION			
22		250006-05510	1	LEVEL GAUGE ASSY			
23		250046-04710	1	NUT			
24		900720-00038	1	O-RING (P-38)	P-38		
25		250045-04710	1	PACKING			

## 7. Chemical Tank

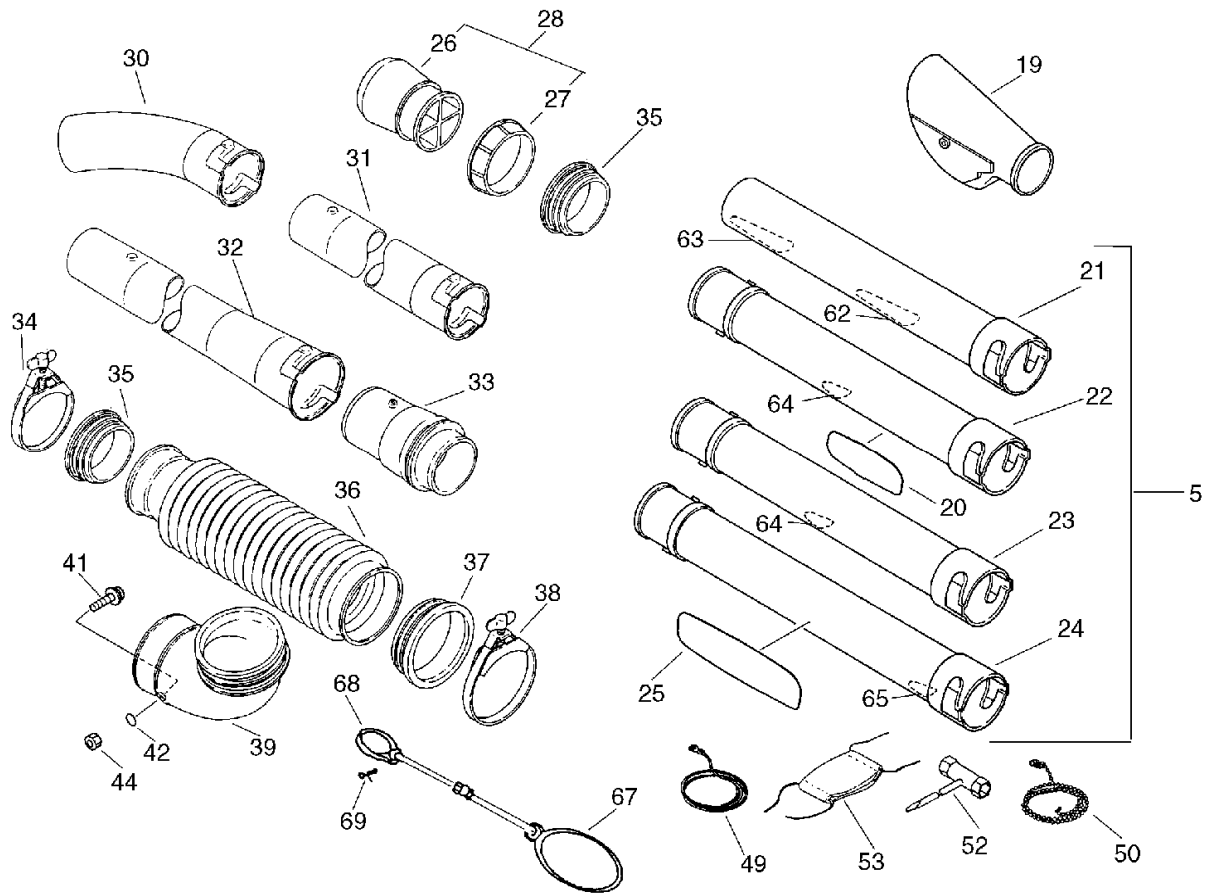
No.7



KEY	LV	PART NUMBER	Q'TY	DESCRIPTION	REMARKS	NOTE1	NOTE2
27		250052-04710	1	BAND (BL)			
28		250053-05110	1	BRACKET			
29		880850-05110	1	TAPE, MAGIC			
30		890068-06810	1	LABEL, MODEL			
31		270000-06210	1	HOLDER SET			
32	+	900286-05035	4	SCREW 5*35	5*35 SUS		
33	+	250910-06210	2	HOLDER, C. TANK			
39	+	250914-03210	2	PIN, TANK HOLDER			
35	+	250902-06210	2	BRACKET CONNECTOR			
36	+	250915-06211	2	BOLT, TANK HOLDER			
37	+	250930-06210	2	CONNECTOR, BRACKET			
38	+	250932-06210	2	BRACKET, TANK			
34	+	900333-70380	2	PIN, STRAIGHT			
45		250016-04710	1	PLUG		OPTION	

8. Dust Blower,Tools

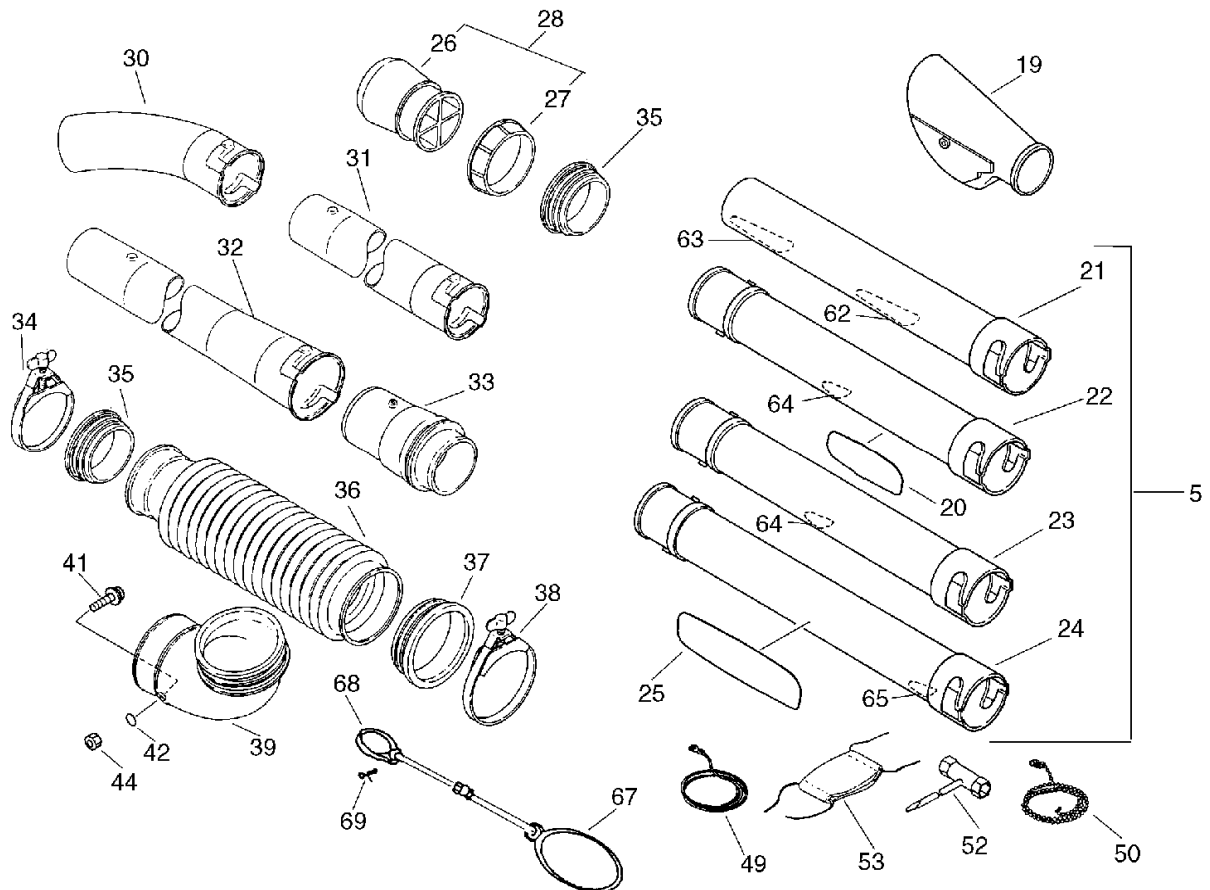
No.8



KEY	LV	PART NUMBER	Q'TY	DESCRIPTION	REMARKS	NOTE1	NOTE2
19		211500-01611	1	NOZZLE, GRANULE (SG)			
5		211400-06210	1	NOZZLE ATTCH,GRANULE		Sus. by 211400-06810	
5		211400-06810	1	NOZZLE ASSY DMK-1			
21	+	211407-02112	1	NOZZLE (3)			
62	+	211415-02111	1	PLATE, GUIDE			
63	+	211416-02111	1	PLATE, GUIDE			
	+	900294-04008	8	SCREW 4* 8	4*8		
22	+	211406-02113	1	NOZZLE (2)			
64	+	211413-02111	1	PLATE, GUIDE			
20	+	890012-03310	2	LABEL, KIORITZ		Sus. by 890012-12710	
20	+	890012-12710	2	LABEL, KIORITZ	52*195		
	+	900294-04008	2	SCREW 4* 8	4*8		
23	+	211406-02113	1	NOZZLE (2)			
64	+	211413-02111	1	PLATE, GUIDE			
	+	900294-04008	2	SCREW 4* 8	4*8		
24	+	211405-06410	1	NOZZLE			
65	+	211417-02110	1	PLATE, GUIDE			
25	+	890036-06510	1	LABEL, MODEL			
	+	900294-04008	2	SCREW 4* 8	4*8		
28		220105-01610	1	CONNECTER KIT			
26	+	220028-01611	1	CONNECTOR			
27	+	220033-01610	1	NUT, HOLLOW			
30		210023-05510	1	PIPE, CURVED			
31		210015-05510	1	PIPE, STRAIGHT			

## 8. Dust Blower,Tools

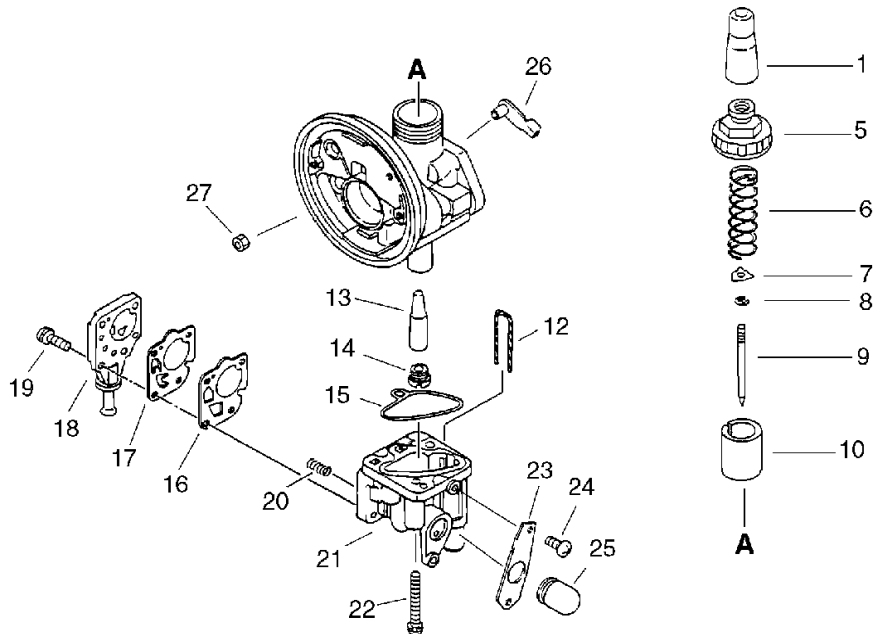
No.8



KEY	LV	PART NUMBER	Q'TY	DESCRIPTION	REMARKS	NOTE1	NOTE2
32		210014-05510	1	PIPE, STRAIGHT			
33		210002-04110	1	PIPE, SWIVEL (BL)			
34		210407-01110	1	CLAMP, FLEXIBLE PIPE			
35		210032-04110	2	PACKING, FLX. PIPE			
36		210013-04111	1	PIPE, FLEXIBLE			
37		210036-04110	1	GASKET, FLX. PIPE			
38		210407-04110	1	CLAMP, FLEXIBLE PIPE			
39		210011-05510	1	ELBOW, BLOWING			
41		900292-05014	1	SCREW 5*14	5*14 SUS		
42		900720-00004	1	O-RING (P-4)	P-4		
44		900504-00005	1	NUT 5B	5B		
49		898552-02910	1	GRAUND LEAD			
50		898537-02910	1	CHAIN, GRAUND	リード センツキ		
52		895410-03930	1	WRENCH, W/S. DRIVER			
53		898544-01110	1	MASK		Sus. by 898544-01111	
53		898544-01111	1	MASK			
67		300500-04110	1	STRAP ASS'Y		OPTION	
68	+	210400-00660	1	CLAMP W/SCREW		OPTION	
69	+	900220-05035	1	SCREW 5*35	5*35	OPTION	

# 9. Carburetor

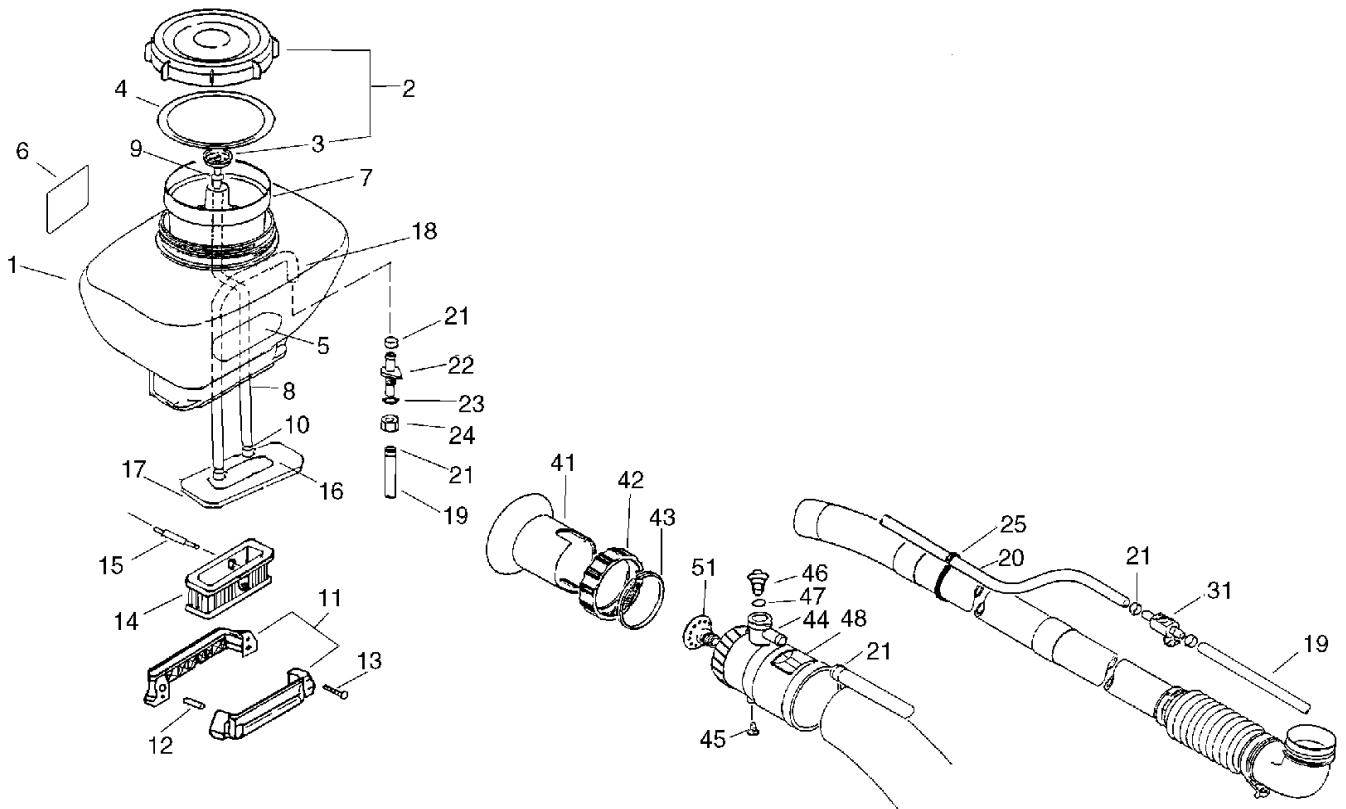
## No.9



KEY	LV	PART NUMBER	Q'TY	DESCRIPTION	REMARKS	NOTE1	NOTE2
		124200-06410	1	CARBURETOR ASSY	K13PR-6E		
1	+	124174-11120	1	CAP			
5	+	124113-05910	1	COVER, TOP			
6	+	124114-11120	1	SPRING, THROTTLE			
7	+	124115-11120	1	SEAT, SPRING			
8	+	124116-05530	1	E-RING			
9	+	124117-05910	1	NEEDLE, JET			
10	+	124118-05910	1	VALVE, THROTTLE			
12	+	124182-05510	1	WIRE, DRAIN			
13	+	124162-05510	1	JET, NEEDLE			
14	+	124122-05910	1	JET, MAIN #64			
15	+	124123-05510	1	GASKET, CHAMBER			
16	+	124363-21330	1	GASKET, PUMP DIAPH.			
17	+	124364-05510	1	DIAPHRAGM, FUEL PUMP			
18	+	124365-05510	1	COVER, PUMP			
19	+	900241-03010	4	SCREW 3*10 (W/SW)	3*10		
20	+	124367-21330	2	SPRING, COIL			
21	+	124124-05910	1	CHANBER			
22	+	900241-04030	2	SCREW 4*30 (W/SW)	4*30		
23	+	124163-05510	1	PLATE			
24	+	900241-04008	2	SCREW 4*8	4*8		
25	+	124381-05511	1	CAP			
26	+	124142-05810	1	LEVER, CHOKE			
27	+	124111-05810	1	NUT			

## 10. Mist Blower

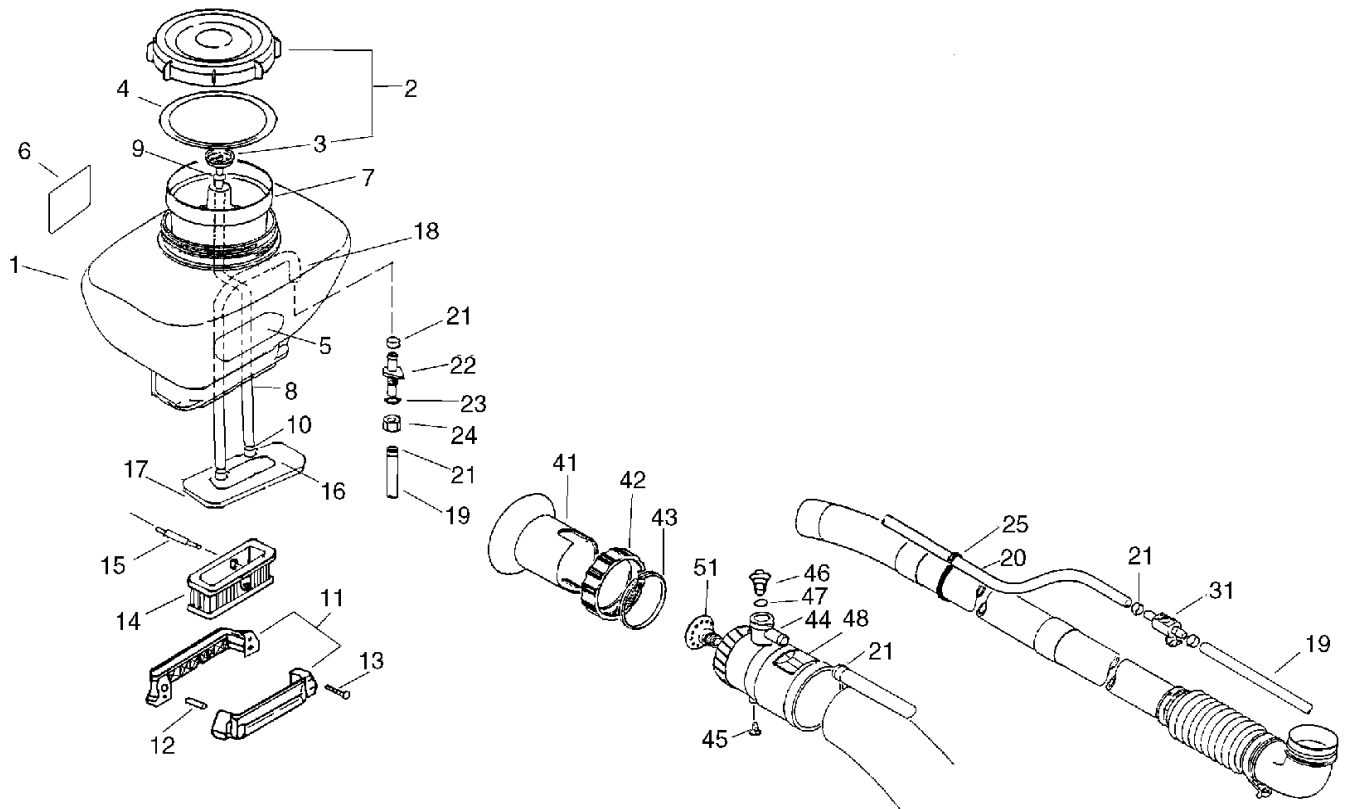
No.10



KEY	LV	PART NUMBER	Q'TY	DESCRIPTION	REMARKS	NOTE1	NOTE2
1		250010-06310	1	TANK, CHEMICAL (13L)		Sus. by 250002-06310	
1		250002-06310	1	TANK KIT, CHEMICAL	13L		
1		250017-06510	1	TANK, CHEMICAL (23L)		Sus. by 250002-06510	
1		250002-06510	1	TANK KIT, CHEMICAL	23L		
2		250001-05510	1	CAP, CHEMICAL TANK			
3	+	250013-00310	1	CAP, INSIDE			
4		250011-02011	1	PACKING			
5		890012-03310	1	LABEL, KIORITZ		Sus. by 890012-12710	
5		890012-12710	1	LABEL, KIORITZ	52*195	13L	
5		890012-10510	1	LABEL, KIORITZ		Sus. by 890012-07510	
5		890012-07510	1	LABEL, KIORITZ		23L	
6		890031-06210	1	LABEL, MIST			
7		254210-03210	1	FILTER			
8		363014-00310	1	PIPE (INNER)	7*11*400BL	13L	
8		363014-03210	1	PIPE (INNER)	7*11*500BL	23L	
9		363023-01110	1	CLIP			
10		357013-00210	1	CLIP 11	11≧J	Sus. by 132013-14010	
10		132013-14010	1	BAND	10.5MM		
11		250910-06210	2	HOLDER, C. TANK			
12		250914-03210	2	PIN, TANK HOLDER			
13		900286-05035	4	SCREW 5*35	5*35 SUS		

## 10. Mist Blower

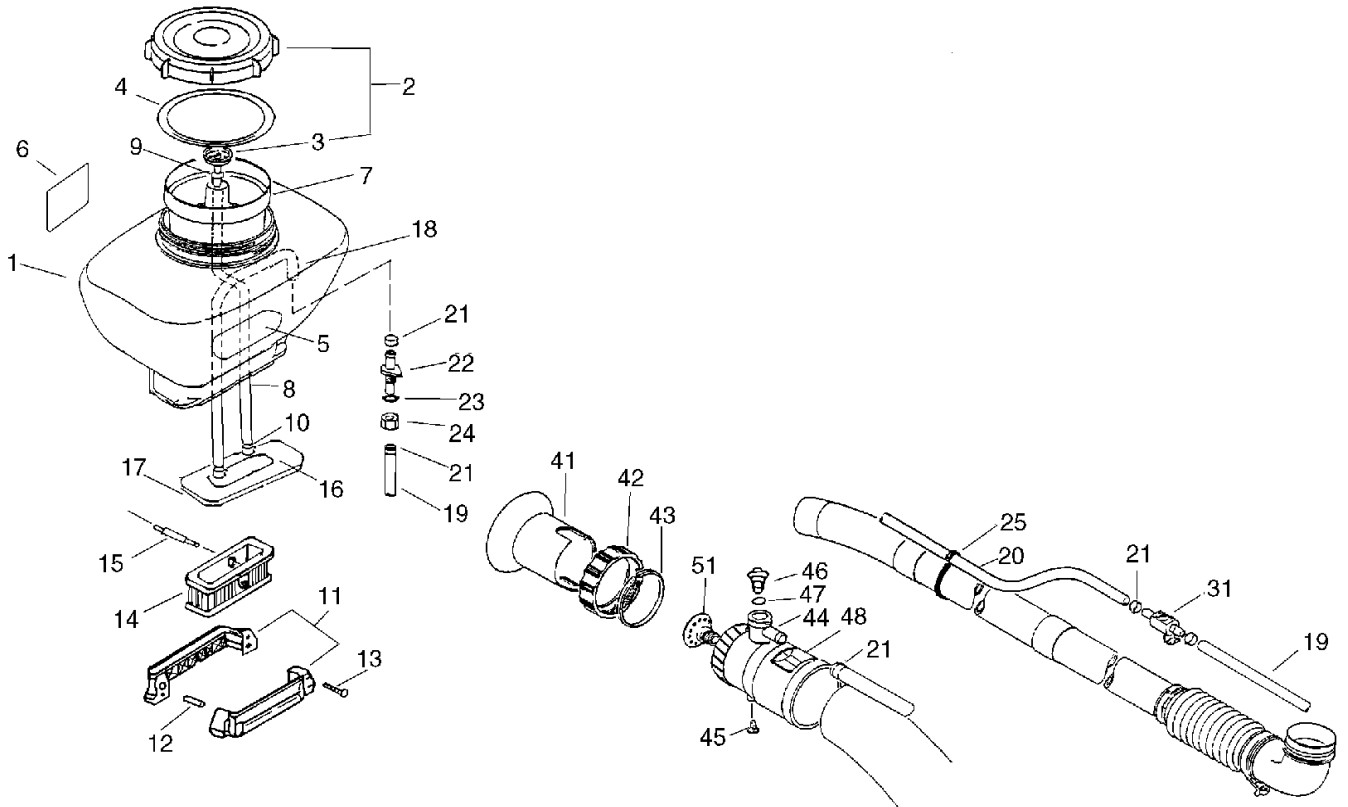
No.10



KEY	LV	PART NUMBER	Q'TY	DESCRIPTION	REMARKS	NOTE1	NOTE2
14		270010-06210	1	TANK, LOWER		Sus. by 270010-06211	
14		270010-06211	1	TANK, LOWER			
15		701033-06210	1	PIN, STRAIGHT 10		Sus. by 701033-06211	
15		701033-06211	1	PIN, STRAIGHT 10			
16		253010-06210	1	PLATE, BASE			
17		270119-06210	1	GASKET, SHUTTER			
18		355011-01110	1	PIPE	13*9*350L	Sus. by 382011-01110	
18		]382011-01110	1	PIPE (9*13)			
19		357032-01110	1	PIPE (L-720)	9*13*720		
20		357012-01110	1	PIPE (L-1050)	9*13*1050		
21		357023-01110	5	CLIP 13			
22		357010-01110	1	NIPPLE, OUTLET			
23		357014-01110	1	O-RING	3*13		
24		357015-01110	1	NUT, HOLLOW			
25		357911-00110	1	CLIP, PIPE			
31		358100-01110	1	VALVE ASS'Y, PIPE			
		212500-01111	1	NOZZLE ASS'Y, MISTBL			
41	+	212515-01110	1	COLLAR, NOZZLE			
42	+	212514-01110	1	NUT, MISTING NOZZLE			
43	+	212513-01110	1	RING, MISTING NOZZLE			
44	+	212501-01111	1	HEAD, NOZZLE BL	BL		
45	+	212511-01110	1	SCREW, MIST. NOZZLE			
46	+	212516-01110	1	VALVE, MISTING			

# 10. Mist Blower

No.10



KEY	LV	PART NUMBER	Q'TY	DESCRIPTION	REMARKS	NOTE1	NOTE2
47	+	900720-00012	1	O-RING 12	P-12		
48	+	890031-01110	1	LABEL, MIST			
51	+	222000-01110	1	NOZZLE			





**Index**

<b>Patrs Number</b>	<b>Key No.</b>	<b>Patrs Number</b>	<b>Key No.</b>	<b>Patrs Number</b>	<b>Key No.</b>
]382011-01110	10 - 18	130016-06410	3 - 17	177215-06910	2 - 26
100000-03210	1 - 11	130017-06410	3 - 18	177218-40630	2 - 23
100011-10530	1 - 12	130307-03711	3 - 28	177220-11120	2 - 27
100012-12330	1 - 31	130310-02910	3 - 32	177226-11120	2 - 30
100012-12331	1 - 31	130311-03710	3 - 33	177227-42030	2 - 31
100013-00410	1 - 13	130313-03710	3 - 34	177228-11120	2 - 32
100015-00120	1 - 14	130317-03710	3 - 31	177234-06910	2 - 33
100100-06210	1 - 30	130319-03710	3 - 30	177234-40630	2 - 22
100204-08260	1 - 18	130320-05810	3 - 25	177236-06910	2 - 25
100204-08261	1 - 18	131003-05330	3 - 6	177246-11120	2 - 28
100213-00310	1 - 24	131004-06210	3 - 5	177279-06910	2 - 29
100213-00310	1 - 24	131004-07132	3 - 5	177280-06910	2 - 34
100213-02830	1 - 21	131005-06210	3 - 8	178001-05810	6 - 35
100215-03930	1 - 19	131005-06211	3 - 8	178005-06410	6 - 15
100242-10720	1 - 22	131005-06212	3 - 8	178005-06411	6 - 15
100242-10721	1 - 22	131005-06213	3 - 8	200005-06210	2 - 6
101010-10721	1 - 10	131016-21060	3 - 7	200105-06210	4 - 30
101010-10722	1 - 10	131016-21230	3 - 7	200105-06310	4 - 30
101011-06810	1 - 6	131205-19830	3 - 13	200107-06210	4 - 20
101100-06810	1 - 38	131205-30830	3 - 13	200107-06310	4 - 20
101112-52030	1 - 40	132001-05510	3 - 14	200910-06210	5 - 6
101514-06210	1 - 3	132007-14331	3 - 10	200916-03210	5 - 5
101514-06410	1 - 8	132010-06210	3 - 27	210002-04110	8 - 33
104016-06410	1 - 34	132010-06410	3 - 27	210011-05510	8 - 39
124111-05810	9 - 27	132010-06530	3 - 16	210013-04111	8 - 36
124113-05910	9 - 5	132013-05060	3 - 15	210014-05510	8 - 32
124114-11120	9 - 6	132013-14010	10 - 10	210015-05510	8 - 31
124115-11120	9 - 7	132013-14010	3 - 26	210023-05510	8 - 30
124116-05530	9 - 8	132013-26630	3 - 12	210032-04110	8 - 35
124117-05910	9 - 9	132115-12330	3 - 11	210035-06310	4 - 31
124118-05910	9 - 10	145510-06210	2 - 41	210036-04110	8 - 37
124122-05910	9 - 14	145510-06211	2 - 41	210400-00660	8 - 68
124123-05510	9 - 15	145512-06210	1 - 4	210407-01110	8 - 34
124124-05910	9 - 21	145512-06211	1 - 4	210407-04110	8 - 38
124142-05810	9 - 26	145610-06210	2 - 42	210425-04110	4 - 21
124162-05510	9 - 13	145610-06211	2 - 42	211400-06210	8 - 5
124163-05510	9 - 23	145610-06212	2 - 42	211400-06810	8 - 5
124174-11120	9 - 1	145642-00760	3 - 40	211405-06410	8 - 24
124182-05510	9 - 12	150112-00310	1 - 27	211406-02113	8 - 22
124200-06410	3 - 23	156601-06210	2 - 10	211406-02113	8 - 23
124200-06410	9 -	156601-06211	2 - 10	211407-02112	8 - 21
124363-21330	9 - 16	156611-04260	2 - 12	211413-02111	8 - 64
124364-05510	9 - 17	156800-06161	2 - 8	211413-02111	8 - 64
124365-05510	9 - 18	159010-19630	2 - 15	211415-02111	8 - 62
124367-21330	9 - 20	159011-03432	2 - 14	211416-02111	8 - 63
124381-05511	9 - 25	159012-03433	2 - 13	211417-02110	8 - 65
129011-05110	3 - 36	159129-08260	1 - 25	211500-01611	8 - 19
130010-06410	1 - 9	177200-06910	2 - 24	212500-01111	10 -
130016-06110	3 - 19	177202-06210	2 - 20	212501-01111	10 - 44

**Index**

<b>Patrs Number</b>	<b>Key No.</b>	<b>Patrs Number</b>	<b>Key No.</b>	<b>Patrs Number</b>	<b>Key No.</b>
212511-01110	10 - 45	270010-06211	4 - 24	357032-01110	10 - 19
212513-01110	10 - 43	270015-06210	4 - 9	357911-00110	10 - 25
212514-01110	10 - 42	270015-06210	4 - 9	358100-01110	10 - 31
212515-01110	10 - 41	270015-06211	4 - 9	363014-00310	10 - 8
212516-01110	10 - 46	270018-06210	4 - 25	363014-03210	10 - 8
220028-01611	8 - 26	270110-06210	4 - 15	363023-01110	10 - 9
220033-01610	8 - 27	270112-06210	4 - 16	370301-06210	4 - 28
220105-01610	8 - 28	270112-06211	4 - 16	370301-06211	4 - 28
222000-01110	10 - 51	270119-06210	10 - 17	370316-06210	4 - 27
250001-05510	10 - 2	270119-06210	4 - 17	370321-06210	4 - 26
250001-05510	7 - 5	270122-06211	4 - 35	605612-06510	6 - 26
250002-06310	10 - 1	270153-06210	4 - 13	605612-06810	6 - 26
250002-06510	10 - 1	270205-06410	6 - 32	701007-06610	6 - 18
250006-05510	7 - 22	270205-06411	6 - 32	701010-06610	6 - 20
250010-06310	10 - 1	270207-04310	6 - 27	701014-06210	6 - 24
250010-06410	7 - 8	270212-06410	6 - 30	701014-06510	6 - 24
250010-06411	7 - 8	270212-06510	6 - 30	701016-06210	6 - 7
250010-06412	7 - 8	270216-06210	6 - 34	701017-06210	6 - 8
250010-06510	7 - 8	275100-06310	4 - 5	701020-05510	6 - 22
250010-06511	7 - 8	275100-06312	4 - 5	701021-02910	6 - 14
250010-06512	7 - 8	275100-06313	4 - 5	701027-06210	6 - 5
250011-02011	10 - 4	275100-06314	4 - 5	701027-06211	6 - 5
250011-02011	7 - 7	275106-06310	4 - 11	701027-06212	6 - 5
250013-00310	10 - 3	275106-06311	4 - 11	701028-06210	6 - 41
250013-00310	7 - 6	275106-06410	4 - 11	701033-06210	10 - 15
250016-04710	7 - 45	275123-05510	4 - 12	701033-06211	10 - 15
250017-06510	10 - 1	300010-06410	5 - 7	701111-06210	6 - 11
250045-04710	7 - 25	300029-06210	2 - 38	701111-06211	6 - 11
250046-04710	7 - 23	300111-06410	5 - 9	701111-06212	6 - 11
250052-04710	7 - 27	300302-03210	5 - 22	701112-06210	6 - 13
250053-05110	7 - 28	300302-04910	5 - 24	701114-06210	6 - 6
250110-06210	4 - 8	300302-07410	5 - 22	880850-05110	7 - 29
250110-06211	4 - 8	300302-07410	5 - 24	880850-06210	7 - 9
250110-06212	4 - 8	300318-06210	5 - 23	890012-03310	10 - 5
250902-06210	7 - 35	300322-03210	5 - 21	890012-03310	8 - 20
250910-06210	10 - 11	300322-03210	5 - 21	890012-07510	10 - 5
250910-06210	7 - 33	300328-03210	5 - 19	890012-07510	7 - 11
250914-03210	10 - 12	300328-03210	5 - 19	890012-10510	10 - 5
250914-03210	7 - 39	300333-06410	5 - 10	890012-10510	7 - 11
250915-06211	7 - 36	300500-04110	8 - 67	890012-12710	10 - 5
250916-06210	5 - 8	305117-03360	2 - 39	890012-12710	8 - 20
250930-06210	7 - 37	355011-01110	10 - 18	890022-06310	7 - 13
250932-06210	7 - 38	357010-01110	10 - 22	890026-00310	3 - 21
253010-06210	10 - 16	357012-01110	10 - 20	890026-00311	3 - 21
254210-03210	10 - 7	357013-00210	10 - 10	890031-01110	10 - 48
270000-06210	7 - 31	357013-00210	3 - 26	890031-06210	10 - 6
270010-06210	10 - 14	357014-01110	10 - 23	890035-06210	7 - 10
270010-06210	4 - 24	357015-01110	10 - 24	890035-48631	4 - 36
270010-06211	10 - 14	357023-01110	10 - 21	890036-06510	8 - 25

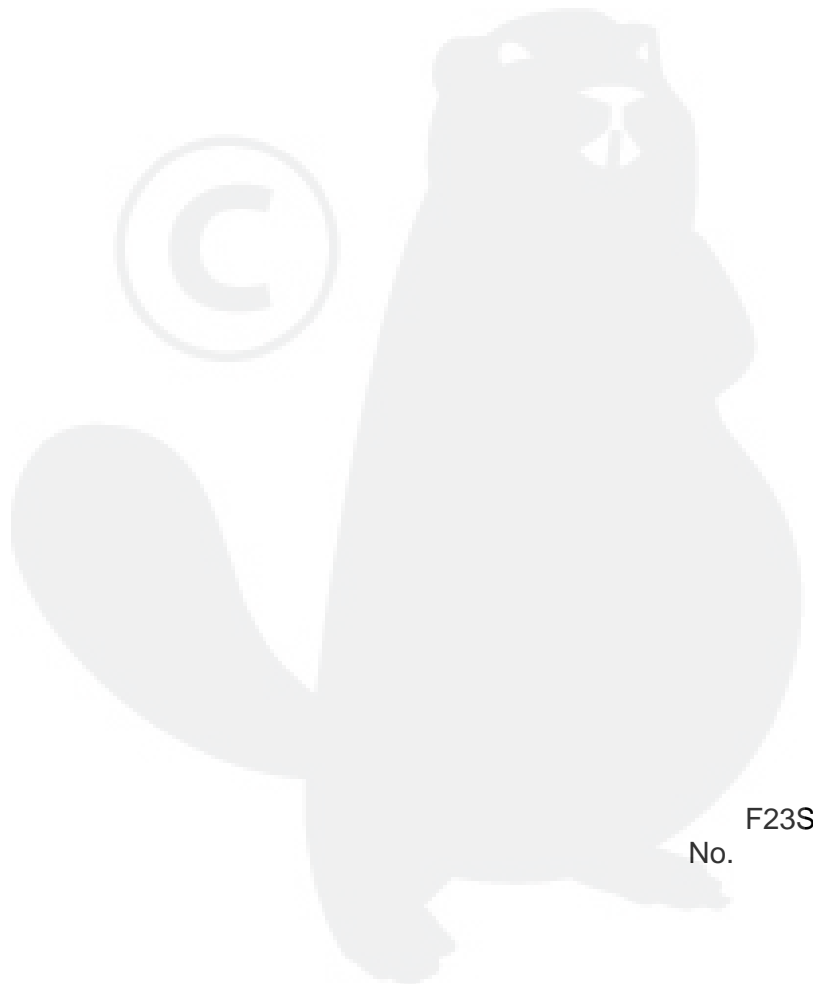
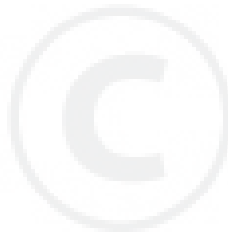
**Index**

<b>Patrs Number</b>	<b>Key No.</b>	<b>Patrs Number</b>	<b>Key No.</b>	<b>Patrs Number</b>	<b>Key No.</b>
890053-00462	2 - 37	900296-04012	6 - 9		
890053-56330	2 - 37	900300-12015	2 - 35		
890068-06810	7 - 30	900323-03014	1 - 33		
890080-06211	7 - 12	900333-70380	7 - 34		
890080-06610	7 - 13	900500-00005	6 - 23		
890187-03710	3 - 35	900501-00010	2 - 3		
890991-06510	6 - 43	900502-00006	6 - 19		
895410-03930	8 - 52	900503-00006	6 - 36		
898537-02910	8 - 50	900504-00005	4 - 29		
898544-01110	8 - 53	900504-00005	6 - 12		
898544-01111	8 - 53	900504-00005	8 - 44		
898552-02910	8 - 49	900509-00006	6 - 40		
900105-06020	2 - 43	900539-00005	4 - 7		
900148-05035	2 - 7	900539-00005	4 - 7		
900162-05020	1 - 5	900560-00005	5 - 18		
900216-05014	5 - 20	900560-00005	5 - 18		
900216-05014	5 - 20	900600-00008	6 - 28		
900216-05016	5 - 20	900602-00010	2 - 5		
900216-05016	5 - 20	900604-00005	4 - 23		
900220-05035	8 - 69	900604-00006	6 - 38		
900220-06014	3 - 42	900605-00006	3 - 41		
900226-04010	4 - 10	900605-00010	2 - 4		
900238-04018	2 - 36	900609-00005	4 - 22		
900241-03010	9 - 19	900609-00006	6 - 39		
900241-04008	9 - 24	900620-00004	1 - 43		
900241-04030	9 - 22	900700-00004	2 - 21		
900242-04014	3 - 29	900702-00035	1 - 23		
900242-05010	1 - 7	900703-00003	1 - 44		
900242-05014	2 - 44	900720-00004	4 - 6		
900242-05016	1 - 26	900720-00004	4 - 6		
900242-05018	1 - 26	900720-00004	8 - 42		
900242-05018	2 - 9	900720-00007	6 - 31		
900242-05040	1 - 20	900720-00012	10 - 47		
900242-05055	3 - 24	900720-00038	7 - 24		
900286-05016	6 - 17	900810-36202	1 - 32		
900286-05025	4 - 18	P022-005100	2 - 35		
900286-05025	6 - 16				
900286-05035	10 - 13				
900286-05035	7 - 32				
900292-04014	6 - 33				
900292-05014	8 - 41				
900292-05020	1 - 35				
900292-05025	1 - 28				
900292-05025	6 - 10				
900294-04008	8 -				
900294-04008	8 -				
900294-04008	8 -				
900294-04008	8 -				
900295-04014	4 - 14				

# YAMABIKO CORPORATION

7-2 SUEHIROCHO 1-CHOME, OHME, TOKYO 198-8760, JAPAN  
PHONE: 81-428-32-6118. FAX: 81-428-32-6145.

**ECHO**®



F23S  
No.