

DCS-2500

Serial Number

E81535000001-E81535999999

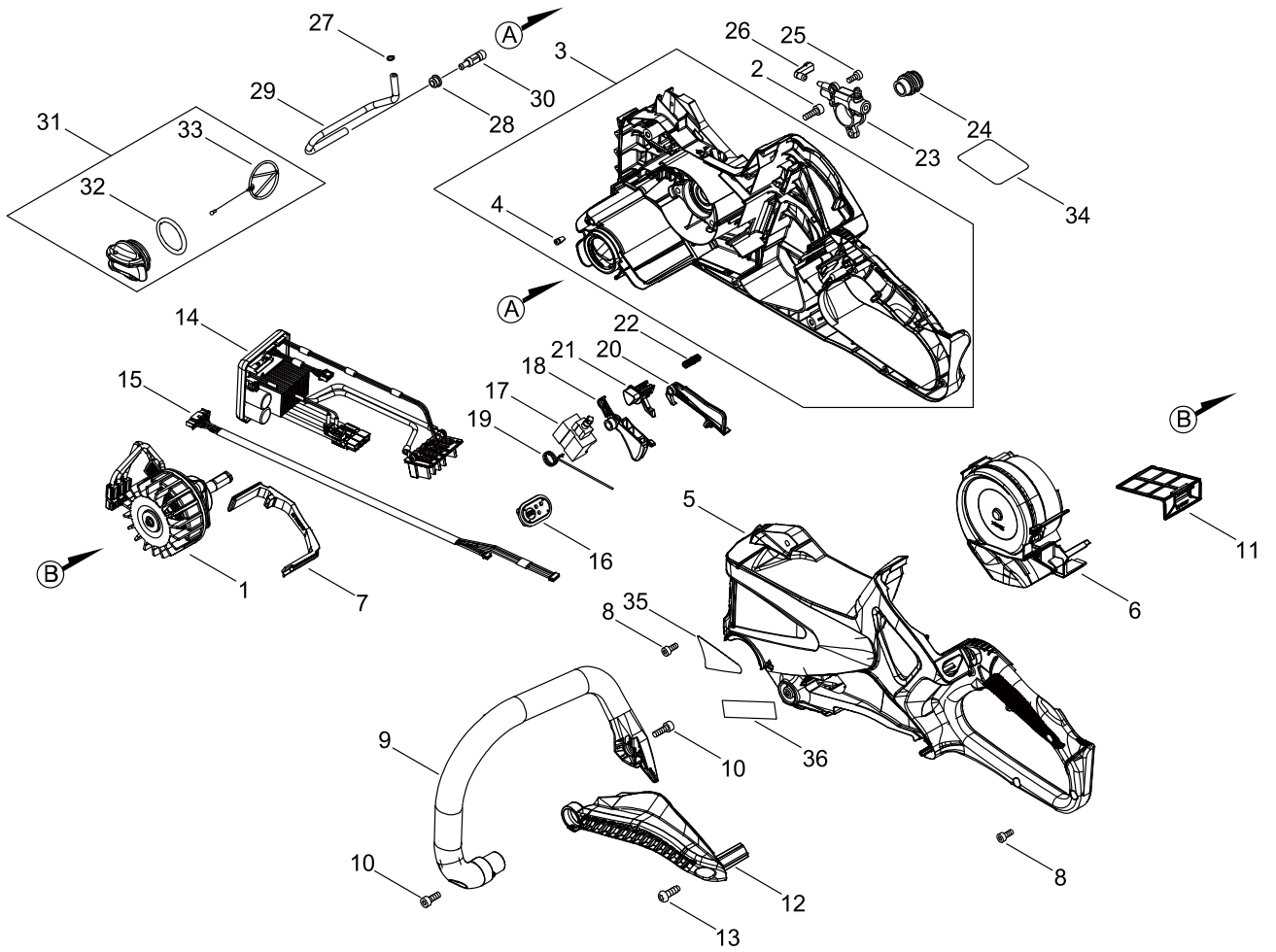
Last updated date

28/Jul/2023

TABLE OF CONTENTS

MOTOR	1
CHAIN BRAKE	3
ACCESSORIES	5
OILER.....	7
GUIDE BAR, CHAIN	9
OPTION PARTS.....	11

MOTOR



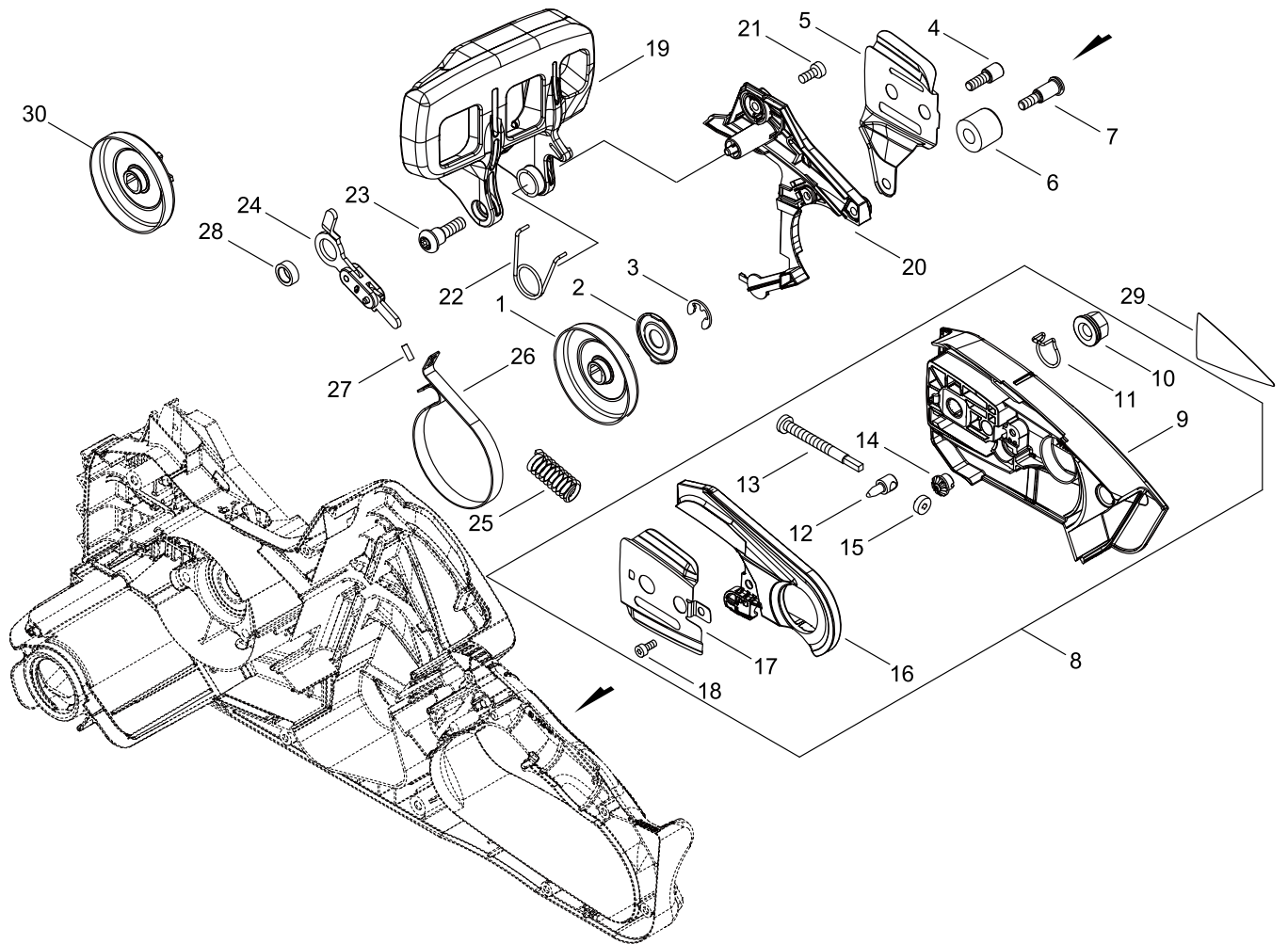
MOTOR

Key No.	LV (+)	Parts Number	Parts Description	Qty	Standard	Class
1		A054-000300	MOTOR,ASM	1		D
2		V805-000250	BOLT, TORX 5	3	TB-5*16 12.9	C
3		P100-012061	COVER,MOTOR ASY	1		C
4	+	436114-13930	VALVE, CHECK	1		B
5		A539-000520	COVER,MOTOR	1	F SIDE	C
6		P100-013370	CASE,FAN ASY	1		C
7		A539-000530	COVER,MOTOR	1	SMALL COVER	C
8		V804-000160	BOLT, TORX 4	7	TT-P 4*12	C
9		C400-001800	HANDLE, FRONT	1		C
10		V805-000000	BOLT, TORX 5	2	TT-5*16 DG 10.9	C
11		A226-002360	ELEMENT, AIR FILTER	1	PA6-MESH #30	A
12		C401-000370	PIECE,HANDLE	1		D
13		V805-000000	BOLT, TORX 5	1	TT-5*16 DG 10.9	C
14		A047-000610	BOARD,ASM CONTROL	1		D
15		C130-001200	HARNESS,WIRE	1		D
16		A047-000430	SWITCH	1		D
17		G334-001830	SWITCH	1	G33407S0080	C
18		J361-000790	LEVER	1		
19		V452-001650	SPRING,TORSION	1		B
20		C490-000050	LOCKOUT	1	GRIP SENSOR	C
21		C490-000061	LOCKOUT	1		C
22		V450-002250	SPRING,COMPRESSION	1		B
23		C022-000211	AUTO-OILER ASSEMBLY	1	OP-27C(B)	C
24		V652-000290	GEAR,WORM	1		B
25		V804-000160	BOLT, TORX 4	1	TT-P 4*12	C
26		V470-002400	PIPE	1		C
27		V490-001230	CLIP	1		C
28		132115-01462	GROMMET	1		C
29		V471-003311	PIPE	1	3*6*200	C
30		P021-050140	STRAINER, OIL ASY	1		C
31		P100-004610	CAP,OIL ASY	1		C
32	+	900720-20029	O-RING	1	P-29	
33	+	A365-000050	CONNECTOR,CAP	1		B
34		X505-011800	LABEL,CAUTION	1		D
35		X543-006160	LABEL,MODEL	1	DCS-2500	D
36		X502-000390	LABEL,ECHO	1	ECHO 72.5*15	D

Class : Consumable class

A:Fast moving parts B:Semi-fast moving parts C:Slow moving parts D:Order only as needed

CHAIN BRAKE



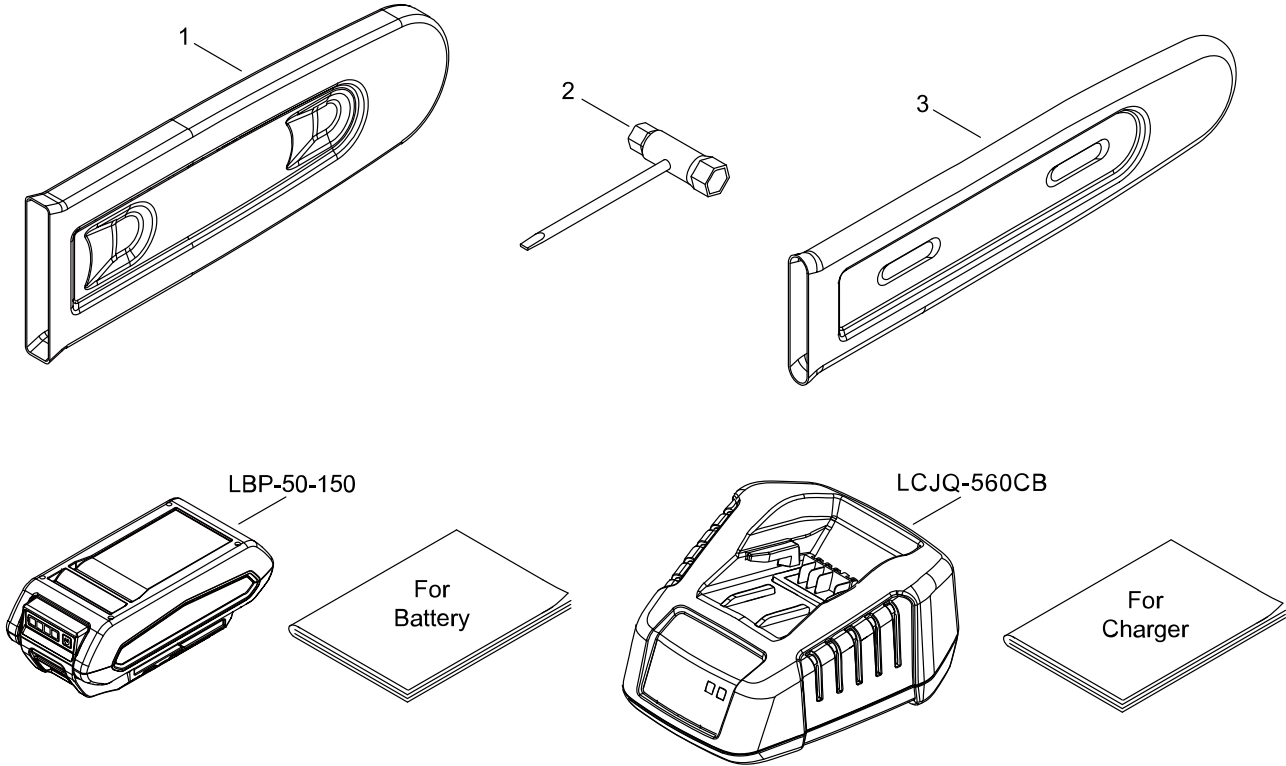
CHAIN BRAKE

Key No.	LV (+)	Parts Number	Parts Description	Qty	Standard	Class
1		A556-001910	DRUM, CLUTCH	1	1/4	B
2		V307-000620	WASHER,CIRCULAR 10	1	10*28.5*3.5(0.8)	C
3		V583-000440	RING	1	8.1 T1.2	C
4		V203-002280	BOLT,5	1		C
5		C305-000511	PLATE,SPROCKET GUARD	1	T0.3	C
6		C310-000140	CATCHER, CHAIN	1		B
7		V203-002260	BOLT,5	1		C
8		P100-009532	GUARD, SPROCKET ASY	1		C
9	+	C300-001222	GUARD, SPROCKET	1		C
10	+	V265-000550	NUT,8	1		C
11	+	C649-000420	HOOK	1		D
12	+	C309-000110	TENSIONER,CHAIN	1		C
13	+	V203-000041	BOLT,5	1		C
14	+	V651-001060	GEAR,BEVEL	1		D
15	+	V651-000011	GEAR,BEVEL	1		D
16	+	C301-000020	PIECE,SPROCKET GUARD	1		C
17	+	C305-000521	PLATE,SPROCKET GUARD	1	T0.3	C
18	+	V804-000160	BOLT, TORX 4	1	TT-P 4*12	C
19		C320-000630	LEVER, BRAKE	1		C
20		C345-000791	COVER,BRAKE	1		C
21		V804-000160	BOLT, TORX 4	3	TT-P 4*12	C
22		V452-001940	SPRING,TORSION	1	1.6	B
23		V203-002270	BOLT,5	1		C
24		C334-000340	CONNECTOR, BRAKE	1		C
25		V450-002400	SPRING,COMPRESSION	1	Φ2.5	B
26		C328-000390	BAND, BRAKE	1		C
27		93050-30080	ROLLER	1	3*8	C
28		V355-000860	COLLAR,8	1		C
29		X502-001230	LABEL,ECHO	1		D
30		A556-001960	DRUM, CLUTCH	1	325 DCS	B

Class : Consumable class

A:Fast moving parts B:Semi-fast moving parts C:Slow moving parts D:Order only as needed

ACCESSORIES



* Batteries and charger are handle as accessories instead of spare parts.
Please place an order of batteries and charger at the same time as unit order.

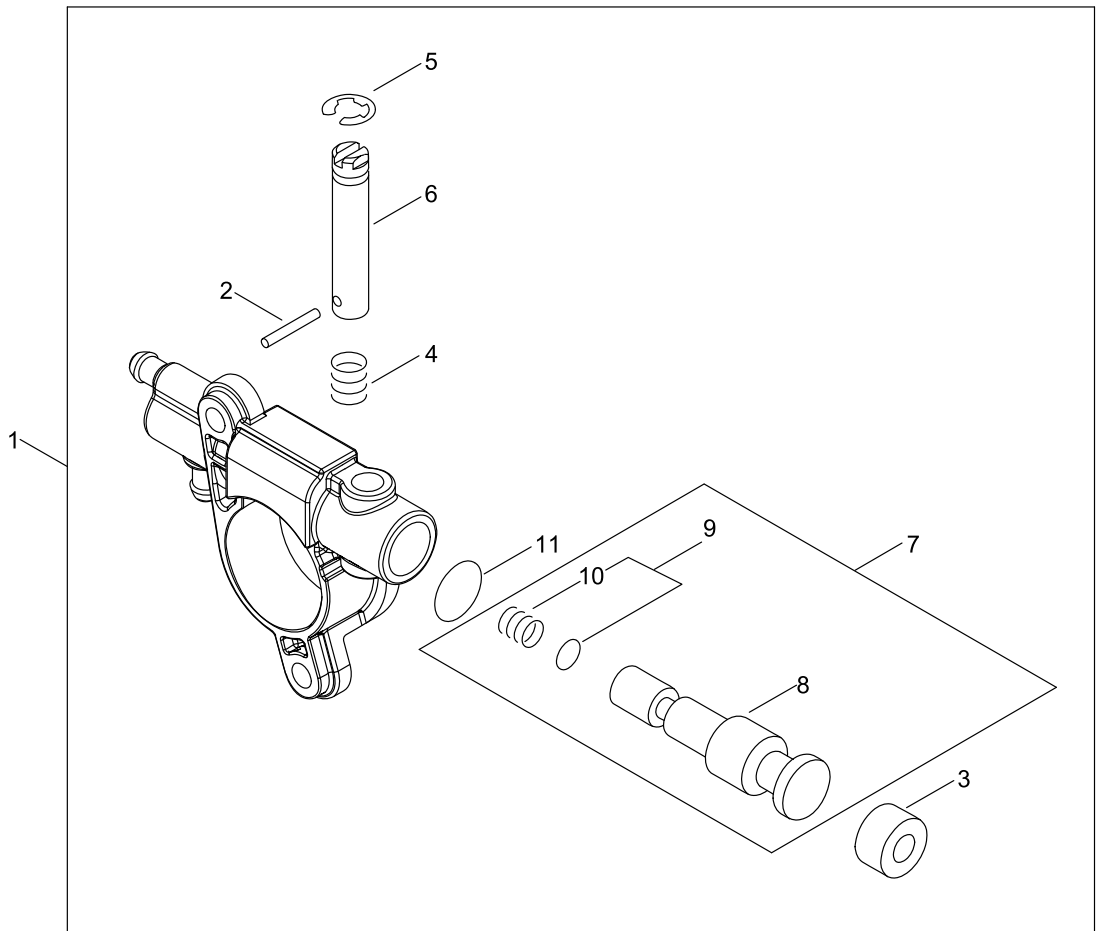
ACCESSORIES

Key No.	LV (+)	Parts Number	Parts Description	Qty	Standard	Class
1		X490-000840	SCABBARD,CHAIN	1	260	D
2		X602-000080	TOOL,WRENCH	1	13*19 L180	D
3		X490-000920	SCABBARD,CHAIN	1		D

Class : Consumable class

A:Fast moving parts B:Semi-fast moving parts C:Slow moving parts D:Order only as needed

OILER





OILER

Key No.	LV (+)	Parts Number	Parts Description	Qty	Standard	Class
1		C022-000211	AUTO-OILER ASSEMBLY	1	OP-27C(B)	C
2	+	P003-002180	PIN, SPRING	1		D
3	+	437062-38330	CAP, OIL PUMP	1		D
4	+	437015-37330	SPRING	1		D
5	+	123127-15030	RING	1		D
6	+	P003-005430	NEEDLE-ADJ	1		D
7	+	P200-000390	PLUNGER SHAFT KIT	1		D
8	++	P003-005990	SHAFT ASY-PLUNGER	1		D
9	++	P200-000490	SPRING WASHER KIT	1		D
10	+++	P003-006000	SPRING	1		D
11	+	P003-005420	WASHER	1		D

Class : Consumable class

A:Fast moving parts B:Semi-fast moving parts C:Slow moving parts D:Order only as needed

GUIDE BAR, CHAIN

Pitch ピッチ (inch) (mm)	Gauge ゲージ (inch) (mm)	Length 長さ (cm)	Guide Bar ガイドバー		Saw Chain ソーチェーン		Hard Nose ハード ノーズ	Sprocket Nose スプロケット ノーズ	File Tool ファイル ツール	Grip グリップ
			Key №	Type 形式	Key №	Type 形式				
1/4 6.35	0.043 1.09	25	A1	C25SA4-60CL- ED	A2	A4S-60E		●	3	4
1/4 6.35	0.043 1.09	30	B1	C30SA4-68CL- ED	B2	A4S-68E		●		
1/4 6.35	0.043 1.09	20	C1	C20HA4-52CL- ED	C2	A4S-52E	●			
1/4 6.35	0.043 1.09	25	D1	C25HA4-60CL- ED	D2	A4S-60E	●			
1/4 6.35	0.043 1.09	30	E1	C30HA4-68CL- ED	E2	A4S-68E	●			
.325 8.26	0.043 1.09	25	F1	C25S80-46MA- EB	F2	80TXL-46E		●	5	6
.325 8.26	0.043 1.09	30	G1	C30S80-51MA- EB	G2	80TXL-51E		●		

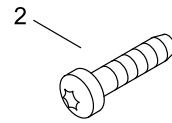
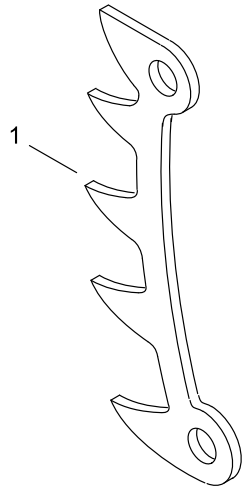
GUIDE BAR, CHAIN

Key No.	LV (+)	Parts Number	Parts Description	Qty	Standard	Class
A1		X121-000250	BAR,GUIDE 25	1	C25SA4-60CL- ED	A
A2		X201-000020	CHAIN,SAW	1	A4S-60E ECHO	A
B1		X122-000440	BAR,GUIDE 30	1	C30SA4-68CL- ED	A
B2		X202-000030	CHAIN,SAW	1	A4S-68E(補用)	A
C1		X100-000070	BAR,GUIDE 20	1	C20HA4-52CL- ED	A
C2		X200-000020	CHAIN,SAW	1	A4S-52E ECHO	A
D1		X101-000210	BAR,GUIDE 25	1	C25HA4-60CL- ED	A
D2		X201-000020	CHAIN,SAW	1	A4S-60E ECHO	A
E1		X102-000110	BAR,GUIDE 30	1	C30HA4-68CL- ED	A
E2		X202-000030	CHAIN,SAW	1	A4S-68E(補用)	A
F1		X121-000300	BAR,GUIDE 25	1	C25S80-46MA- EB	A
F2		X211-000000	CHAIN,SAW	1	80TXL-46E	A
G1		X122-000570	BAR,GUIDE 30	1	C30S80-51MA- EB	A
G2		X212-000000	CHAIN,SAW	1	80TXL-51E	A
3		X620-000080	TOOL,FILE	1	3.5*246	D
4		X622-000000	GRIP	1	D3.5-4.0	D
5		897510-03931	FILE, ROUND 5/32	1	5/32(4.0) 26537	D
6		897512-35630	GRIP, FILE	1		D

Class : Consumable class

A:Fast moving parts B:Semi-fast moving parts C:Slow moving parts D:Order only as needed

OPTION PARTS



OPTION PARTS

Key No.	LV (+)	Parts Number	Parts Description	Qty	Standard	Class
1		C304-000000	SPIKE	1		C
2		V805-000240	BOLT, TORX 5	2	TT-5*12 DG 10.9	C

Class : Consumable class

A:Fast moving parts B:Semi-fast moving parts C:Slow moving parts D:Order only as needed

NUMERICAL PARTS INDEX

Part No	Part description	Page	Part No	Part description	Page	Part No	Part description	Page
123127-15030	RING	8	P021-050140	STRAINER, OIL ASY	2	X502-001230	LABEL,ECHO	4
132115-01462	GROMMET	2	P100-004610	CAP,OIL ASY	2	X505-011800	LABEL,CAUTION	2
436114-13930	VALVE, CHECK	2	P100-009532	GUARD, SPROCKET ASY	4	X543-006160	LABEL,MODEL	2
437015-37330	SPRING	8	P100-012061	COVER,MOTOR ASY	2	X602-000080	TOOL,WRENCH	6
437062-38330	CAP, OIL PUMP	8	P100-013370	CASE,FAN ASY	2	X620-000080	TOOL,FILE	10
897510-03931	FILE, ROUND 5/32	10	P200-000390	PLUNGER SHAFT KIT	8	X622-000000	GRIP	10
897512-35630	GRIP, FILE	10	P200-000490	SPRING WASHER KIT	8			
900720-20029	O-RING	2	V203-000041	BOLT,5	4			
93050-30080	ROLLER	4	V203-002260	BOLT,5	4			
A047-000430	SWITCH	2	V203-002270	BOLT,5	4			
A047-000610	BOARD,ASM CONTROL	2	V203-002280	BOLT,5	4			
A054-000300	MOTOR,ASM	2	V265-000550	NUT,8	4			
A226-002360	ELEMENT, AIR FILTER	2	V307-000620	WASHER,CIRCULAR 10	4			
A365-000050	CONNECTOR,CAP	2	V355-000860	COLLAR,8	4			
A539-000520	COVER,MOTOR	2	V450-002250	SPRING,COMPRESSION	2			
A539-000530	COVER,MOTOR	2	V450-002400	SPRING,COMPRESSION	4			
A556-001910	DRUM, CLUTCH	4	V452-001650	SPRING,TORSION	2			
A556-001960	DRUM, CLUTCH	4	V452-001940	SPRING,TORSION	4			
C022-000211	AUTO-OILER ASSEMBLY	2	V470-002400	PIPE	2			
C022-000211	AUTO-OILER ASSEMBLY	8	V471-003311	PIPE	2			
C130-001200	HARNESS,WIRE	2	V490-001230	CLIP	2			
C300-001222	GUARD, SPROCKET	4	V583-000440	RING	4			
C301-000020	PIECE,SPROCKET GUARD	4	V651-000011	GEAR,BEVEL	4			
C304-000000	SPIKE	12	V651-001060	GEAR,BEVEL	4			
C305-000511	PLATE,SPROCKET GUARD	4	V652-000290	GEAR,WORM	2			
C305-000521	PLATE,SPROCKET GUARD	4	V804-000160	BOLT, TORX 4	2			
C309-000110	TENSIONER,CHAIN	4	V804-000160	BOLT, TORX 4	4			
C310-000140	CATCHER, CHAIN	4	V805-000000	BOLT, TORX 5	2			
C320-000630	LEVER, BRAKE	4	V805-000240	BOLT, TORX 5	12			
C328-000390	BAND, BRAKE	4	V805-000250	BOLT, TORX 5	2			
C334-000340	CONNECTOR, BRAKE	4	X100-000070	BAR,GUIDE 20	10			
C345-000791	COVER,BRAKE	4	X101-000210	BAR,GUIDE 25	10			
C400-001800	HANDLE, FRONT	2	X102-000110	BAR,GUIDE 30	10			
C401-000370	PIECE,HANDLE	2	X121-000250	BAR,GUIDE 25	10			
C490-000050	LOCKOUT	2	X121-000300	BAR,GUIDE 25	10			
C490-000061	LOCKOUT	2	X122-000440	BAR,GUIDE 30	10			
C649-000420	HOOK	4	X122-000570	BAR,GUIDE 30	10			
G334-001830	SWITCH	2	X200-000020	CHAIN,SAW	10			
J361-000790	LEVER	2	X201-000020	CHAIN,SAW	10			
P003-002180	PIN, SPRING	8	X202-000030	CHAIN,SAW	10			
P003-005420	WASHER	8	X211-000000	CHAIN,SAW	10			
P003-005430	NEEDLE-ADJ	8	X212-000000	CHAIN,SAW	10			
P003-005990	SHAFT ASY-PLUNGER	8	X490-000840	SCABBARD,CHAIN	6			
P003-006000	SPRING	8	X490-000920	SCABBARD,CHAIN	6			
			X502-000390	LABEL,ECHO	2			