



PARTS CATALOG

GRASS-TRIMMER / BRUSHCUTTER

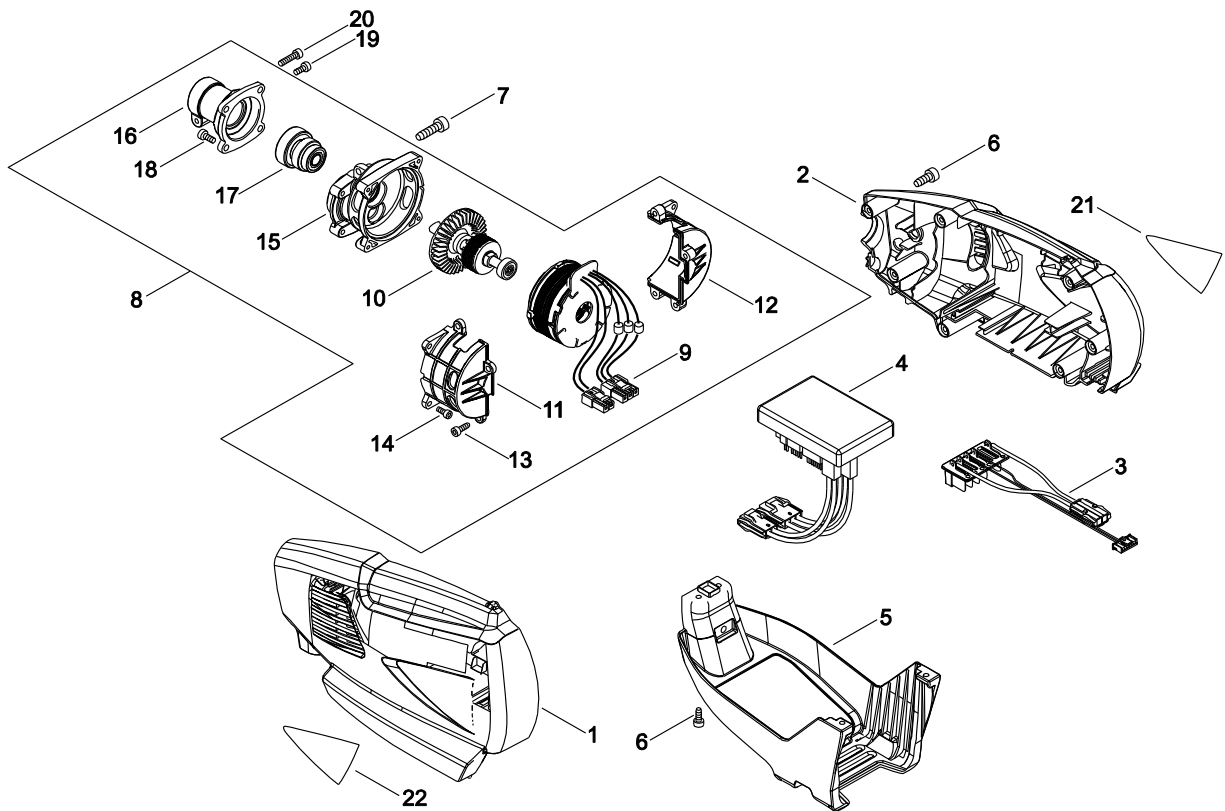
DSRM-300/C1(35)

35000001 -

CE

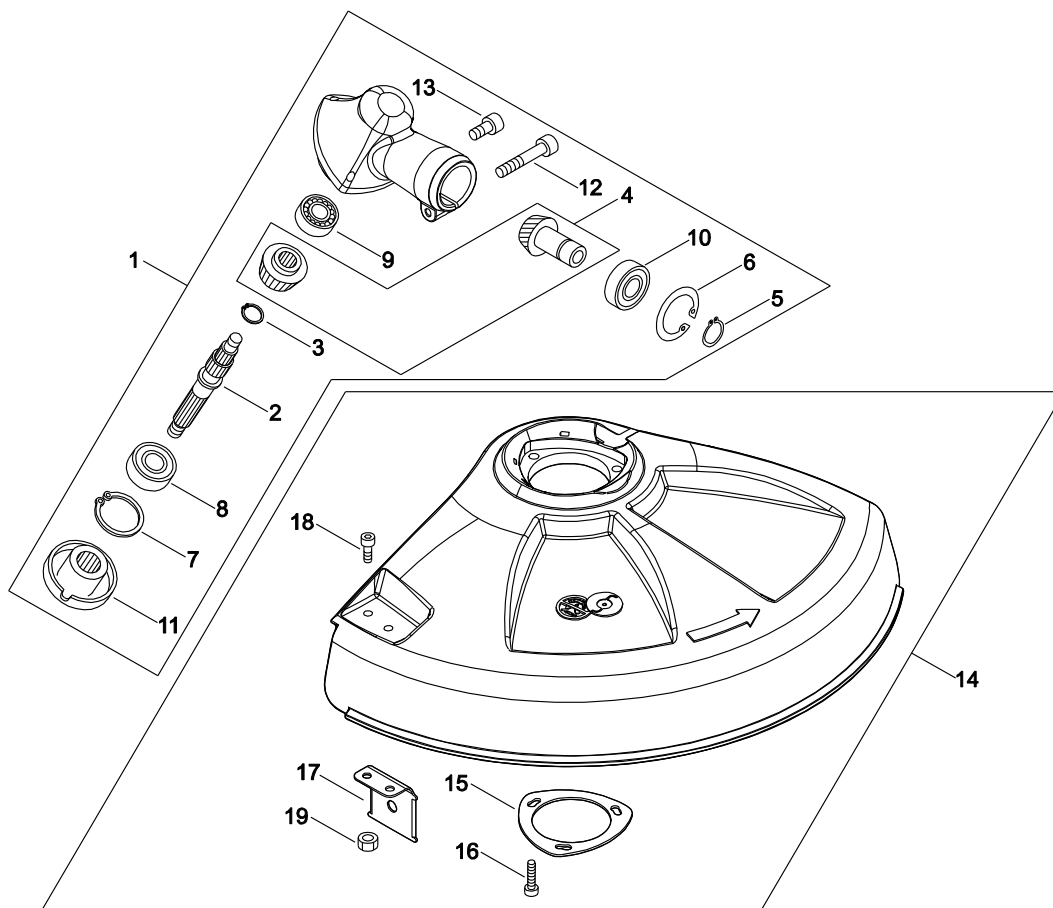
P014-005840-16H

1. MOTOR COVER



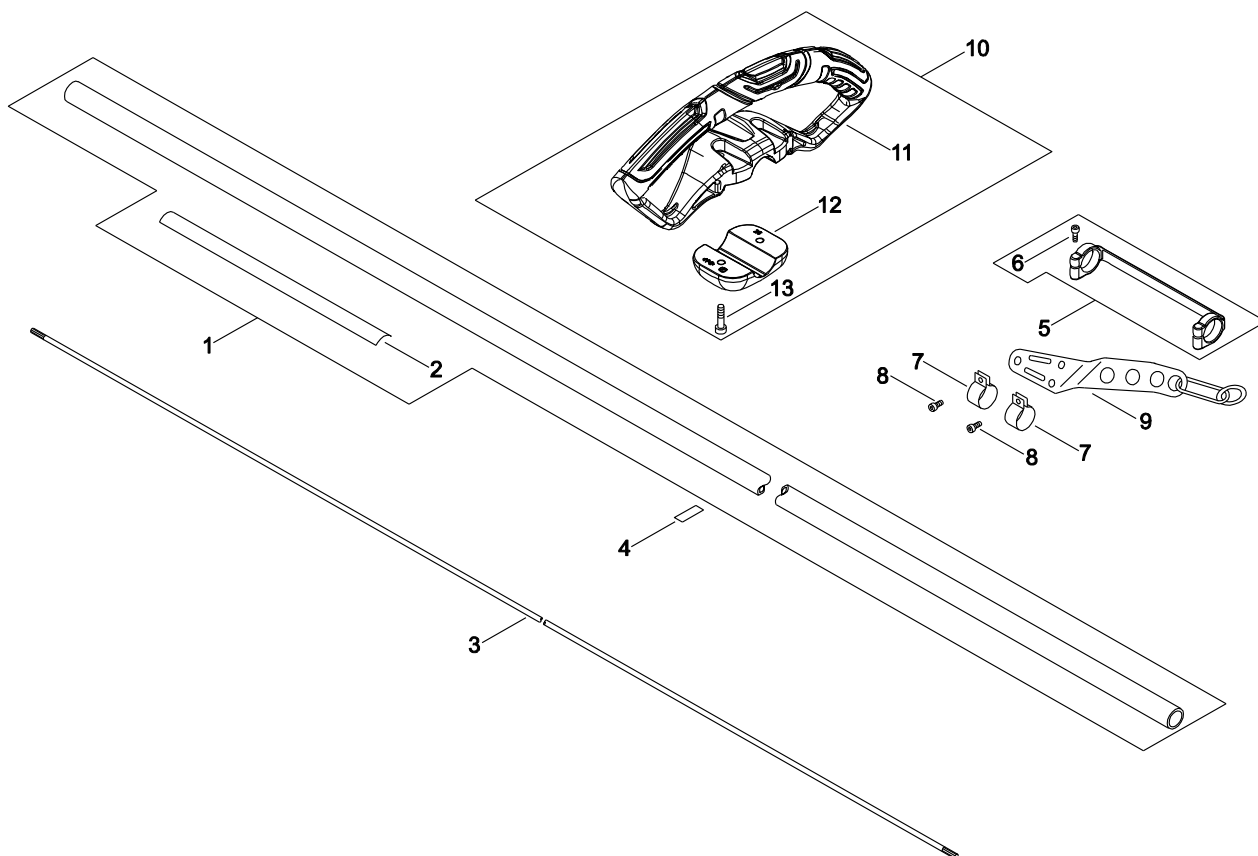
KEY	LV	PART NUMBER	Q'TY	DESCRIPTION	REMARKS	NOTE1	NOTE2
1		A539-000320	1	COVER,MOTOR			
2		A539-000330	1	COVER,MOTOR			
3		V486-000520	1	TERMINAL LEAD			
4		A047-000350	1	BOARD,ASM CONTROL			
5		A175-000370	1	STAND			
6		V804-000010	11	BOLT, TORX 4	TT-4*16 DG 10.9		
7		V805-000010	2	BOLT, TORX 5	TT-5*20 DG 10.9		
8		A054-000260	1	MOTOR,ASM			
9	+	A041-000760	1	STATOR ASSEMBLY			
10	+	M102-000760	1	ROTOR			
11	+	A538-000320	1	CASE,MOTOR			
12	+	A538-000330	1	CASE,MOTOR			
13	+	V804-000000	4	BOLT, TORX 4	TT-4*12 DG 10.9		
14	+	V804-000060	4	BOLT, TORX 4	TB-4*16 10.9		
15	+	C531-001070	1	CASE,GEAR			
16	+	A575-000610	1	FIXTURE, MAIN PIPE			
17	+	P021-049560	1	GEAR ASY			
18	+	V805-000150	4	BOLT, TORX 5	TB-5*16 10.9		
19		V805-000130	1	BOLT, TORX 5	TB-5*10 10.9		
20		V805-000170	1	BOLT, TORX 5	TB-5*25 10.9		
21		X503-013770	1	LABEL,MODEL			
22		X503-013780	1	LABEL,MODEL			

2. GEAR CASE



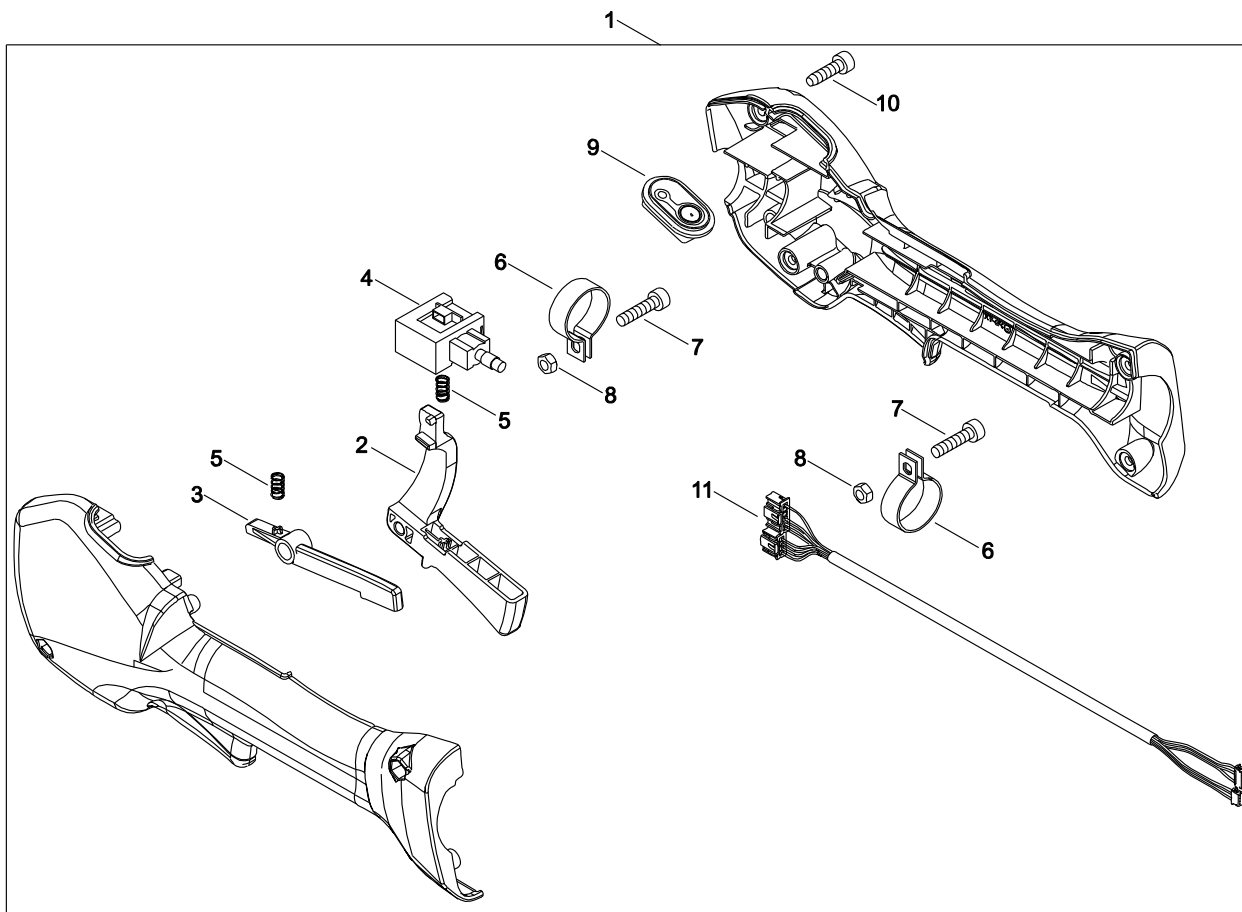
KEY	LV	PART NUMBER	Q'TY	DESCRIPTION	REMARKS	NOTE1	NOTE2
1		C051-001290	1	CASE,GEAR			
2	+	P022-039240	1	SHAFT,GEAR			
3	+	P022-039250	1	RING,SNAP	WR12		
4	+	P100-000480	1	BEVEL GEAR SET			
5	+	P022-020700	1	CIRCLIP 9			
6	+	P022-020690	1	CIRCLIP 24			
7	+	P022-039270	1	CIRCLIP 24	R32		
8	+	P022-039860	1	BEARING, BALL			
9	+	P022-020720	1	BEARING, BALL			
10	+	P022-020710	1	BEARING, BALL			
11	+	P022-039720	1	HOLDER			
12	+	V805-000170	1	BOLT, TORX 5	TB-5*25 10.9		
13	+	V805-000130	1	BOLT, TORX 5	TB-5*10 10.9		
14		P021-051710	1	SHIELD KIT			
15	+	C552-000220	1	PLATE, SHIELD			
16	+	V203-002110	3	BOLT,5	TB-5*16 10.9		
17	+	C554-000070	1	KNIFE, CORD			
18	+	V835-000010	2	BOLT, TORX 5	TB-5*12 10.9		
19	+	900500-00005	2	NUT 5	5		

3. DRIVE SHAFT



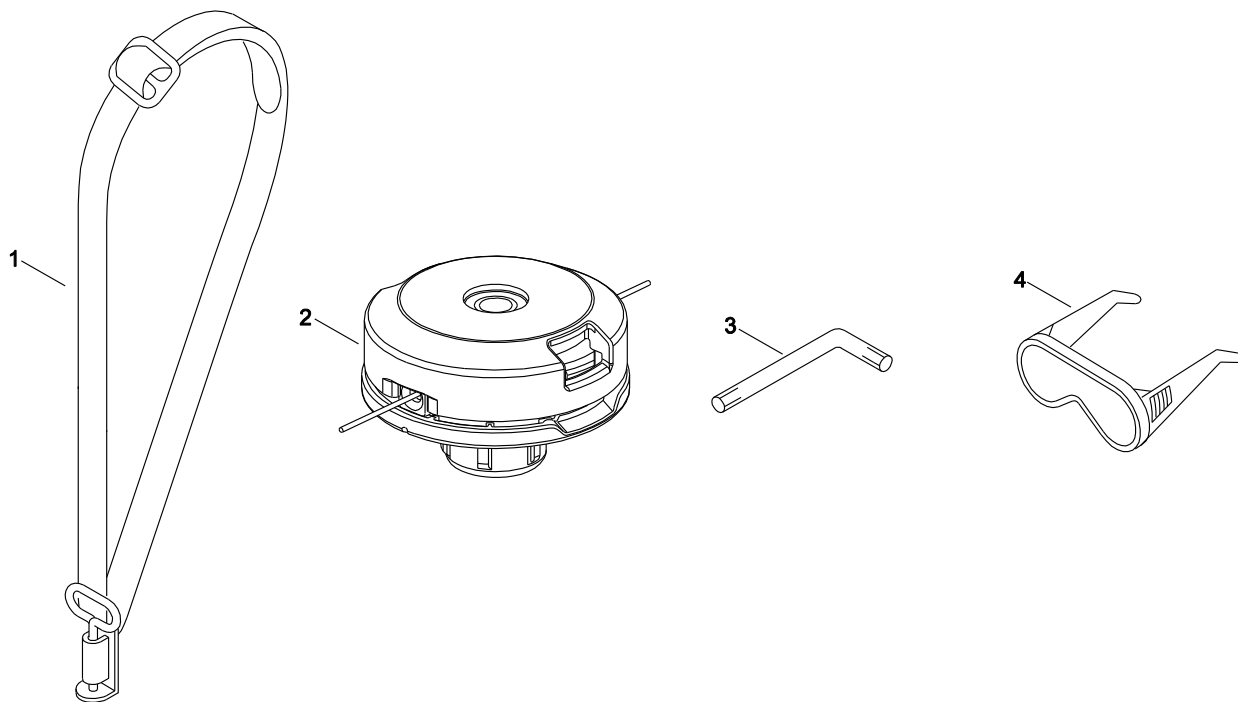
KEY	LV	PART NUMBER	Q'TY	DESCRIPTION	REMARKS	NOTE1	NOTE2
1		P021-051780	1	MAIN PIPE ASY			
2	+	X505-008900	1	LABEL, CAUTION			
3		C504-001250	1	SHAFT, DRIVE	6		
4		890152-04930	1	LABEL, CAUTION			
5		P021-041020	1	COLLER			
6	+	V804-000020	2	BOLT, TORX 4	TT-4*20 DG 10.9		
7		V495-001010	2	BAND			
8		V805-000150	2	BOLT, TORX 5	TB-5*16 10.9		
9		C624-000020	1	HANGER, HARNESS			
10		P021-049580	1	FRONT HANDLE ASY			
11	+	C400-001480	1	HANDLE, FRONT	2-SHOT SRM STYLE		
12	+	C423-001010	1	FIXTURE, HANDLE	REF C400227- 100X		
13	+	V805-000050	2	BOLT, TORX 5	TB-5*30 10.9		

4. THROTTLE LEVER



KEY	LV	PART NUMBER	Q'TY	DESCRIPTION	REMARKS	NOTE1	NOTE2
1		P021-051700	1	THROTTLE LEVER ASY			
2	+	C453-000590	1	LEVER, THROTTLE			
3	+	C460-000550	1	LOCKOUT, THROTTLE			
4	+	G334-001830	1	SWITCH	G33407S0080		
5	+	V450-000860	2	COIL SPRING			
6	+	V495-003020	2	BAND			
7	+	V805-000150	2	BOLT, TORX 5	TB-5*16 10.9		
8	+	900590-00005	2	NUT 5 #2	5 #2		
9	+	A047-000270	1	BOARD,ASM CONTROL			
10	+	V804-000010	5	BOLT, TORX 4	TT-4*16 DG 10.9		
11	+	C130-000640	1	HARNES, WIRE			

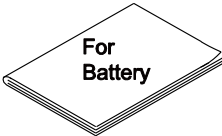
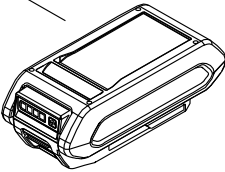
5. ACCESSORIES



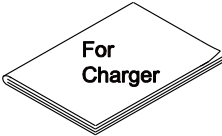
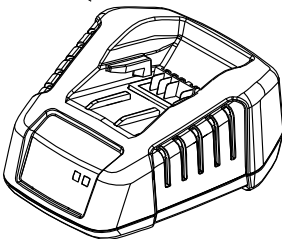
KEY	LV	PART NUMBER	Q'TY	DESCRIPTION	REMARKS	NOTE1	NOTE2
1		C062-000021	1	HARNES,SHOULDER			
2		X047-001020	1	CUTTER,ASM LINE	G138507		
3		X605-000060	1	TOOL,L WRENCH	80*30 T27 2-ENDS		
4		X690-000080	1	GOGGLE	SI CHINA, Z87.1		

6. BATTERY

LBP-560-100



LCJQ-560C

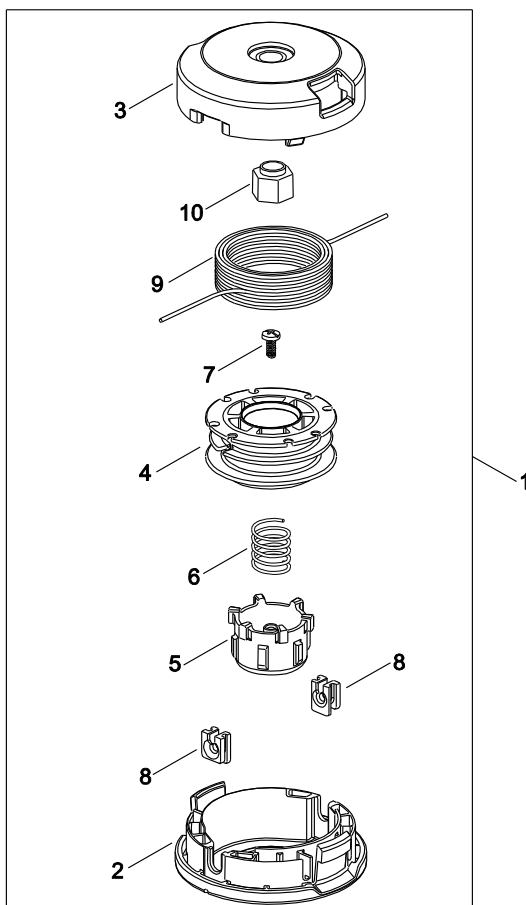


* Batteries and charger are handle as accessories instead of spare parts. Please place an order of batteries and charger at the same time as unit order.

KEY	LV	PART NUMBER	Q'TY	DESCRIPTION	REMARKS	NOTE1	NOTE2
-----	----	-------------	------	-------------	---------	-------	-------



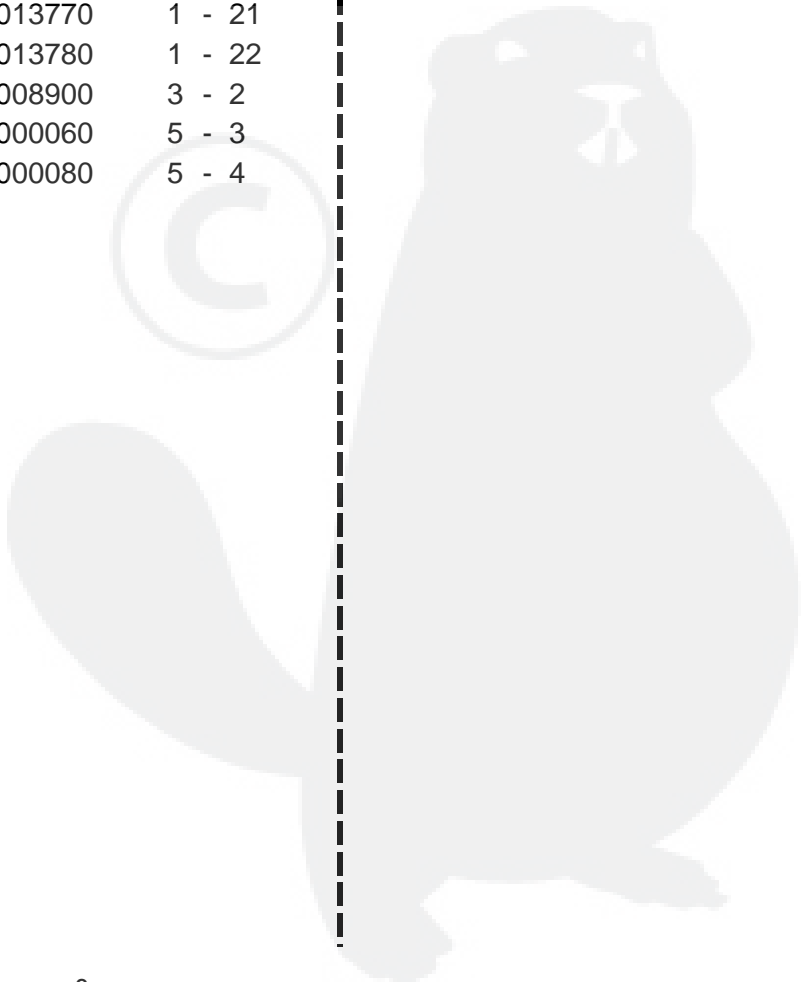
7. NYLON LINE CUTTER



KEY	LV	PART NUMBER	Q'TY	DESCRIPTION	REMARKS	NOTE1	NOTE2
1		X047-001020	1	CUTTER,ASM LINE	G138507		
2	+	P022-025530	1	CASE			
3	+	P022-025540	1	COVER			
4	+	P022-025550	1	REEL			
5	+	P022-025560	1	BUTTON			
6	+	P022-025570	1	RETURN SPRING			
7	+	P022-025580	1	SET SCREW			
8	+	P022-025590	2	CORD GUIDE			
9	+	P022-034150	1	NYLON CORD			
10	+	P022-025610	1	SHAFT			

Index

Patrs Number	Key No.	Patrs Number	Key No.	Patrs Number	Key No.
890152-04930	3 - 4	P022-039720	2 - 11		
900500-00005	2 - 19	P022-039860	2 - 8		
900590-00005	4 - 8	P100-000480	2 - 4		
A041-000760	1 - 9	V203-002110	2 - 16		
A047-000270	4 - 9	V450-000860	4 - 5		
A047-000350	1 - 4	V486-000520	1 - 3		
A054-000260	1 - 8	V495-001010	3 - 7		
A175-000370	1 - 5	V495-003020	4 - 6		
A538-000320	1 - 11	V804-000000	1 - 13		
A538-000330	1 - 12	V804-000010	1 - 6		
A539-000320	1 - 1	V804-000010	4 - 10		
A539-000330	1 - 2	V804-000020	3 - 6		
A575-000610	1 - 16	V804-000060	1 - 14		
C051-001290	2 - 1	V805-000010	1 - 7		
C062-000021	5 - 1	V805-000050	3 - 13		
C130-000640	4 - 11	V805-000130	1 - 19		
C400-001480	3 - 11	V805-000130	2 - 13		
C423-001010	3 - 12	V805-000150	1 - 18		
C453-000590	4 - 2	V805-000150	3 - 8		
C460-000550	4 - 3	V805-000150	4 - 7		
C504-001250	3 - 3	V805-000170	1 - 20		
C531-001070	1 - 15	V805-000170	2 - 12		
C552-000220	2 - 15	V835-000010	2 - 18		
C554-000070	2 - 17	X047-001020	5 - 2		
C624-000020	3 - 9	X047-001020	7 - 1		
G334-001830	4 - 4	X503-013770	1 - 21		
M102-000760	1 - 10	X503-013780	1 - 22		
P021-041020	3 - 5	X505-008900	3 - 2		
P021-049560	1 - 17	X605-000060	5 - 3		
P021-049580	3 - 10	X690-000080	5 - 4		
P021-051700	4 - 1				
P021-051710	2 - 14				
P021-051780	3 - 1				
P022-020690	2 - 6				
P022-020700	2 - 5				
P022-020710	2 - 10				
P022-020720	2 - 9				
P022-025530	7 - 2				
P022-025540	7 - 3				
P022-025550	7 - 4				
P022-025560	7 - 5				
P022-025570	7 - 6				
P022-025580	7 - 7				
P022-025590	7 - 8				
P022-025610	7 - 10				
P022-034150	7 - 9				
P022-039240	2 - 2				
P022-039250	2 - 3				
P022-039270	2 - 7				



YAMABIKO CORPORATION

7-2 SUEHIROCHO 1-CHOME, OHME, TOKYO 198-8760, JAPAN
PHONE: 81-428-32-6118. FAX: 81-428-32-6145.

ECHO[®]



-16H
No. 08-249