



PARTS CATALOG

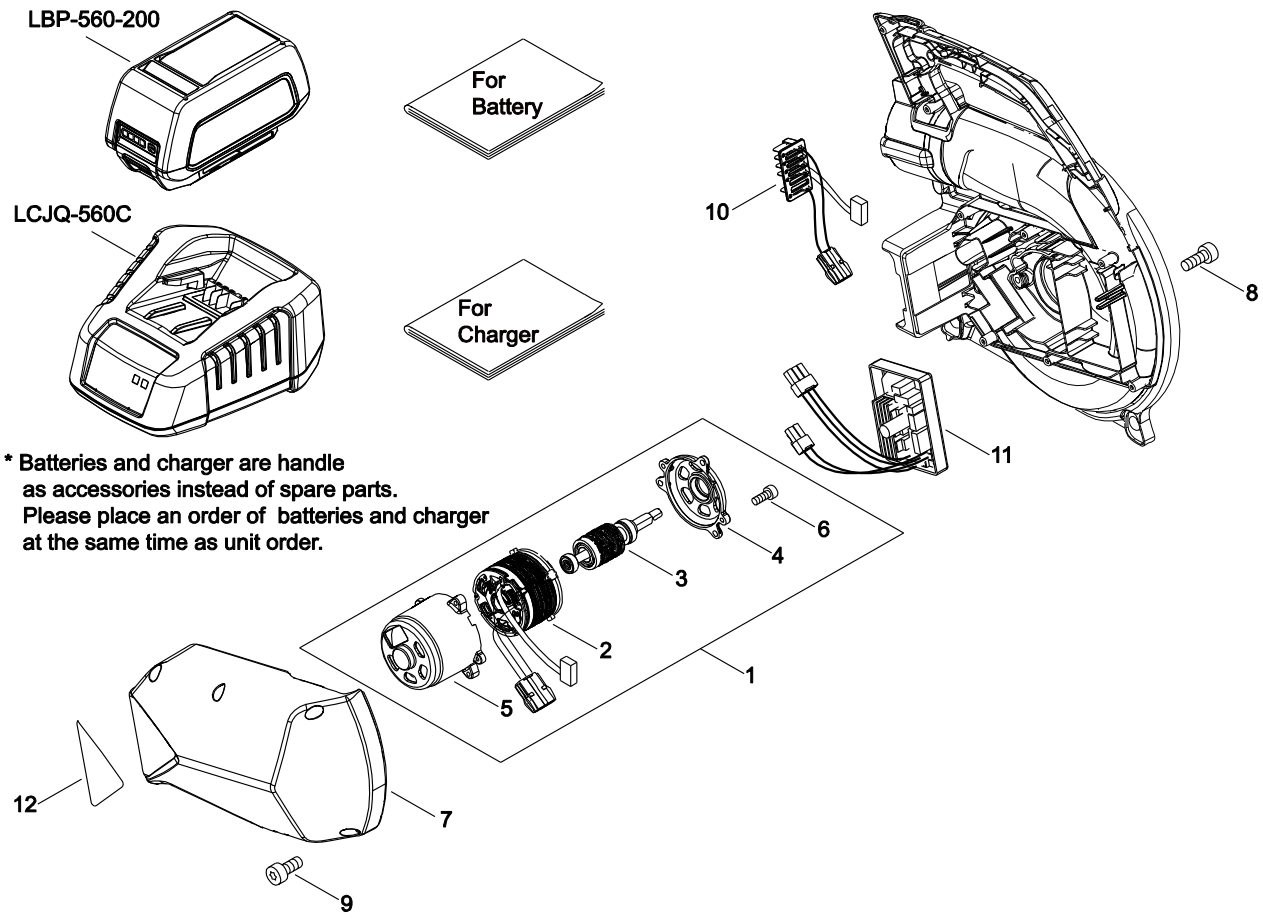
HANDHELD BLOWER DPB-600/C2(35)

35000001 -

CE

P014-005900-16H

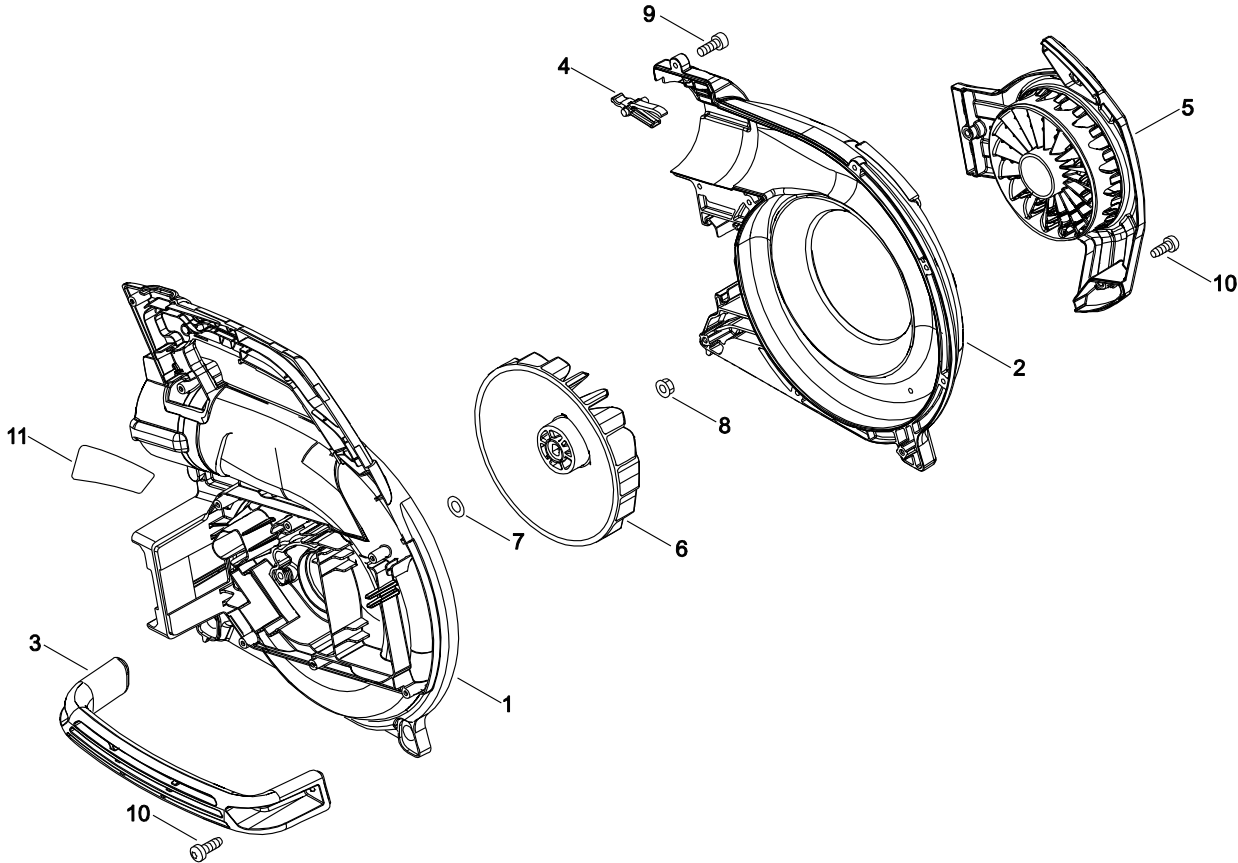
1. MOTOR



* Batteries and charger are handle as accessories instead of spare parts. Please place an order of batteries and charger at the same time as unit order.

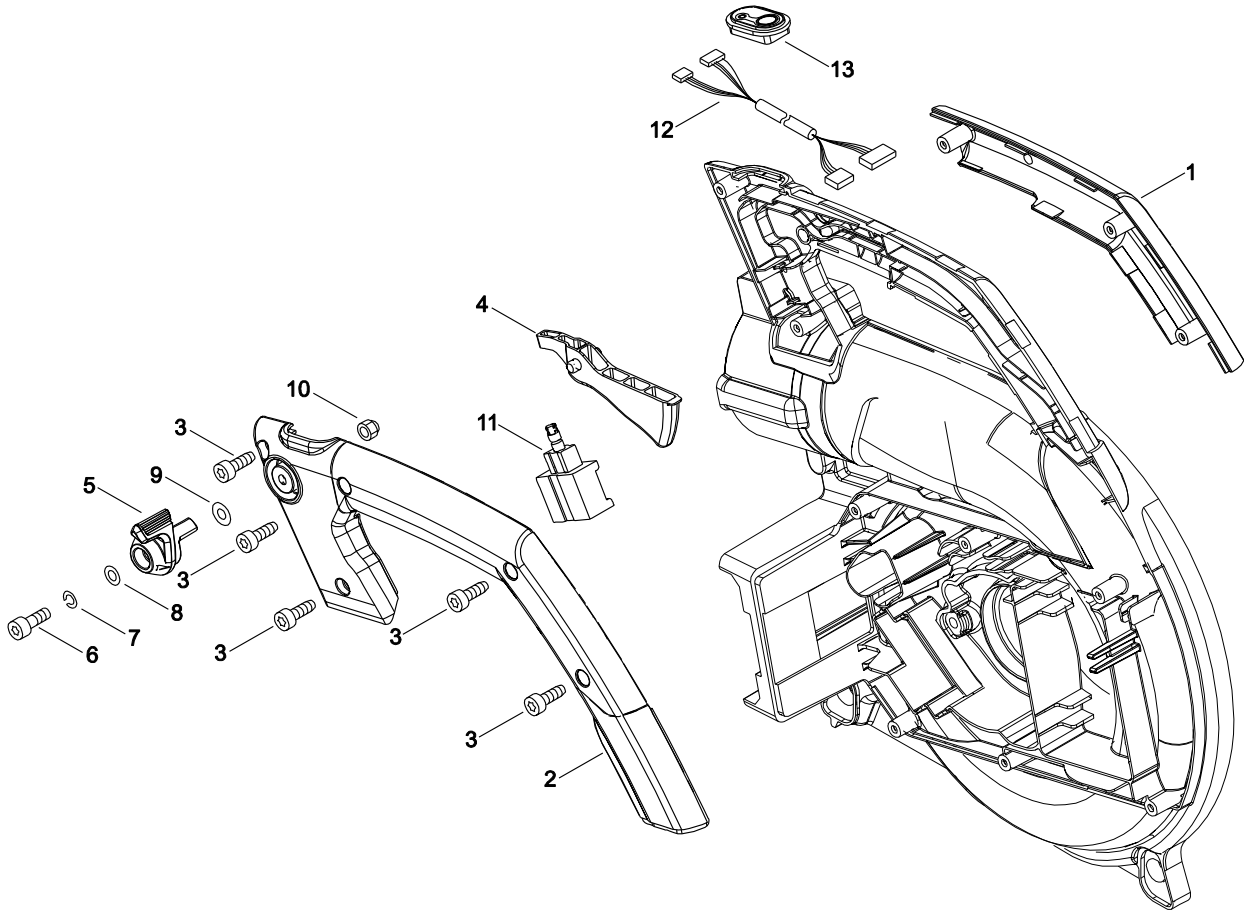
KEY	LV	PART NUMBER	QTY	DESCRIPTION	REMARKS	NOTE1	NOTE2
1		A054-000270	1	MOTOR,ASM			
2	+	A041-000770	1	STATOR ASSEMBLY			
3	+	M102-000800	1	ROTOR			
4	+	A538-000350	1	CASE, MOTOR			
5	+	A538-000360	1	CASE,MOTOR			
6	+	V804-000050	2	BOLT, TORX 4	TB-4*12 10.9		
7		A539-000390	1	COVER,MOTOR			
8		V805-000210	3	BOLT, TORX 5	TB-5*20 12.9		
9		V804-000010	6	BOLT, TORX 4	TT-4*16 DG 10.9		
10		V486-000500	1	TERMINAL,LEAD			
11		A047-000320	1	BOARD,ASM CONTROL			
12		X543-004840	1	LABEL,MODEL			

2. FAN CASE



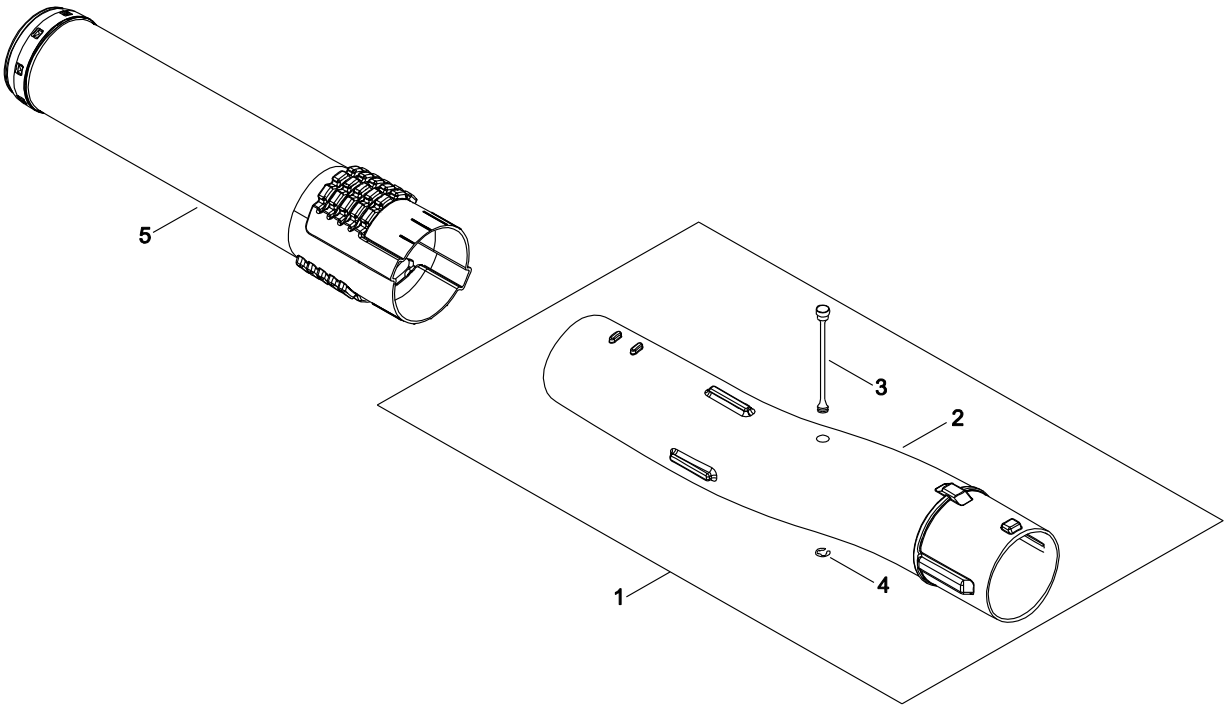
KEY	LV	PART NUMBER	Q'TY	DESCRIPTION	REMARKS	NOTE1	NOTE2
1		E103-001380	1	CASE,FAN			
2		E103-001390	1	CASE,FAN			
3		C410-001400	1	HANDLE, REAR			
4		C662-000050	1	PIECE,LEVER	PB-250		
5		E104-000260	1	GRID, BLOWER			
6		E100-000280	1	FAN,BLOWER			
7		900600-00010	1	WASHER 10	10		
8		92105-08000	1	NUT, FLANGE	M8*1.25 L		
9		V804-000010	7	BOLT, TORX 4	TT-4*16 DG 10.9		
10		V805-000010	5	BOLT, TORX 5	TT-5*20 DG 10.9		
11		X505-008910	1	LABEL,CAUTION			

3. THROTTLE



KEY	LV	PART NUMBER	Q'TY	DESCRIPTION	REMARKS	NOTE1	NOTE2
1		C412-000730	1	GRIP, HANDLE			
2		C411-000220	1	LID,HANDLE			
3		V804-000010	5	BOLT, TORX 4	TT-4*16 DG 10.9		
4		C450-001020	1	TRIGGER,THROTTLE			
5		C453000640	1	LEVER,THROTTLE			
6		V805-000170	1	BOLT, TORX 5	TB-5*25 10.9		
7		900605-00005	1	WASHER, SPRING 5	5		
8		900602-00005	1	WASHER 5	5.3*10*1		
9		900603-00005	1	WASHER 5	5.5*12*0.8		
10		900562-50005	1	LOCKNUT 5	5		
11		G334-001830	1	SWITCH	G33407S0080		
12		C130-000680	1	HARNESS, WIRE			
13		A047-000310	1	BOARD,ASM CONTROL			

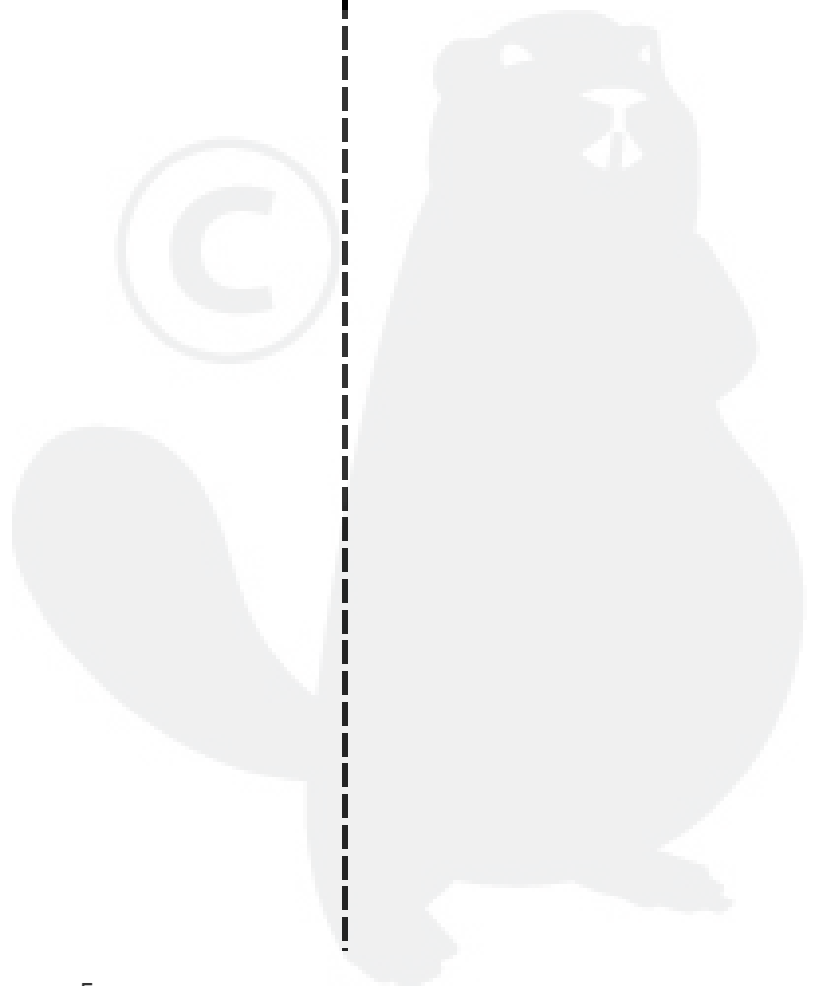
4. PIPE



KEY	LV	PART NUMBER	Q'TY	DESCRIPTION	REMARKS	NOTE1	NOTE2
1		E165-000381	1	PIPE,BLOWER			
2	+	E165-000391	1	PIPE,BLOWER			
3	+	E178-000050	1	GUARD,PIPE			
4	+	V583-000080	1	RING	CE-5		
5		E165-000790	1	PIPE,BLOWER			

Index

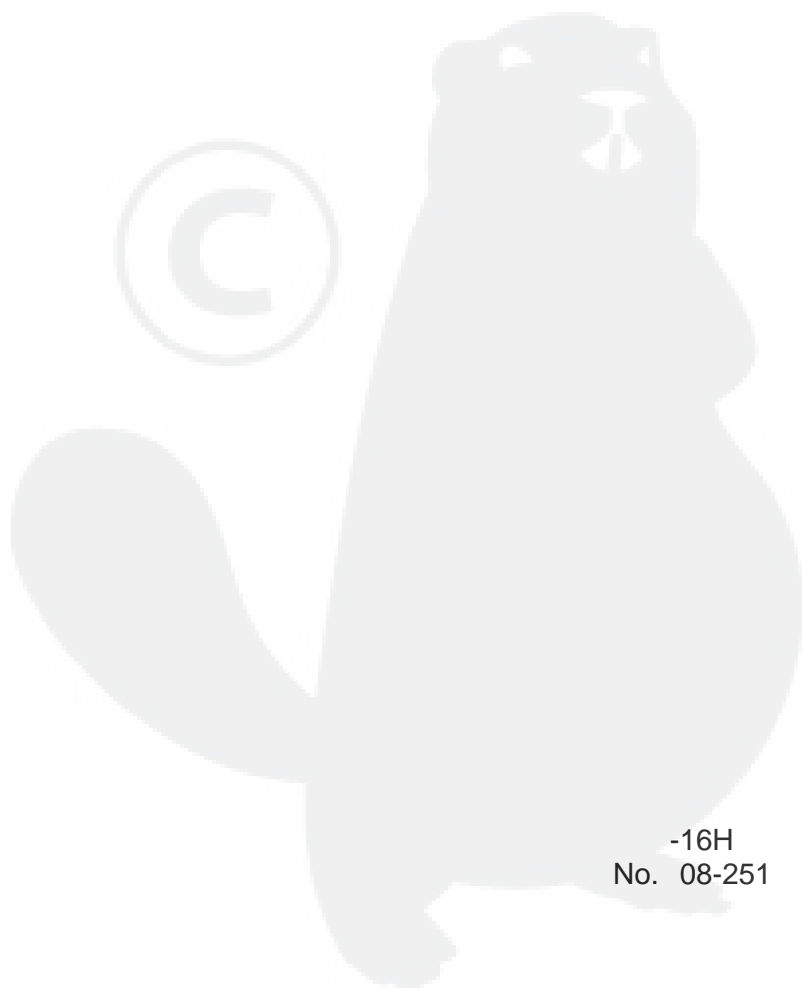
Patrs Number	Key No.	Patrs Number	Key No.	Patrs Number	Key No.
900562-50005	3 - 10				
900600-00010	2 - 7				
900602-00005	3 - 8				
900603-00005	3 - 9				
900605-00005	3 - 7				
92105-08000	2 - 8				
A041-000770	1 - 2				
A047-000310	3 - 13				
A047-000320	1 - 11				
A054-000270	1 - 1				
A538-000350	1 - 4				
A538-000360	1 - 5				
A539-000390	1 - 7				
C130-000680	3 - 12				
C410-001400	2 - 3				
C411-000220	3 - 2				
C412-000730	3 - 1				
C450-001020	3 - 4				
C453000640	3 - 5				
C662-000050	2 - 4				
E100-000280	2 - 6				
E103-001380	2 - 1				
E103-001390	2 - 2				
E104-000260	2 - 5				
E165-000381	4 - 1				
E165-000391	4 - 2				
E165-000790	4 - 5				
E178-000050	4 - 3				
G334-001830	3 - 11				
M102-000800	1 - 3				
V486-000500	1 - 10				
V583-000080	4 - 4				
V804-000010	1 - 9				
V804-000010	2 - 9				
V804-000010	3 - 3				
V804-000050	1 - 6				
V805-000010	2 - 10				
V805-000170	3 - 6				
V805-000210	1 - 8				
X505-008910	2 - 11				
X543-004840	1 - 12				



YAMABIKO CORPORATION

7-2 SUEHIROCHO 1-CHOME, OHME, TOKYO 198-8760, JAPAN
PHONE: 81-428-32-6118. FAX: 81-428-32-6145.

ECHO[®]



-16H
No. 08-251