

Owner's Manual

**CRAFTSMAN®**

# LAWN TRACTOR

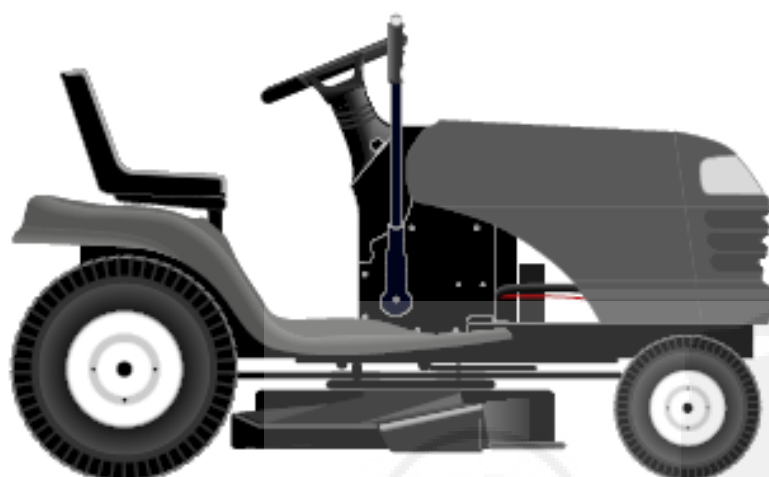
21.5 HP, 42" Mower

Electric Start

6 Speed Transaxle

Model No.

**917.272450**



This product has a low emission engine which operates differently from previously built engines. Before you start the engine, read and understand this Owner's Manual.

## **CAUTION:**

Read and follow all Safety Rules and Instructions before operating this equipment.

For answers to your questions about this product, Call:

**1-800-659-5917**

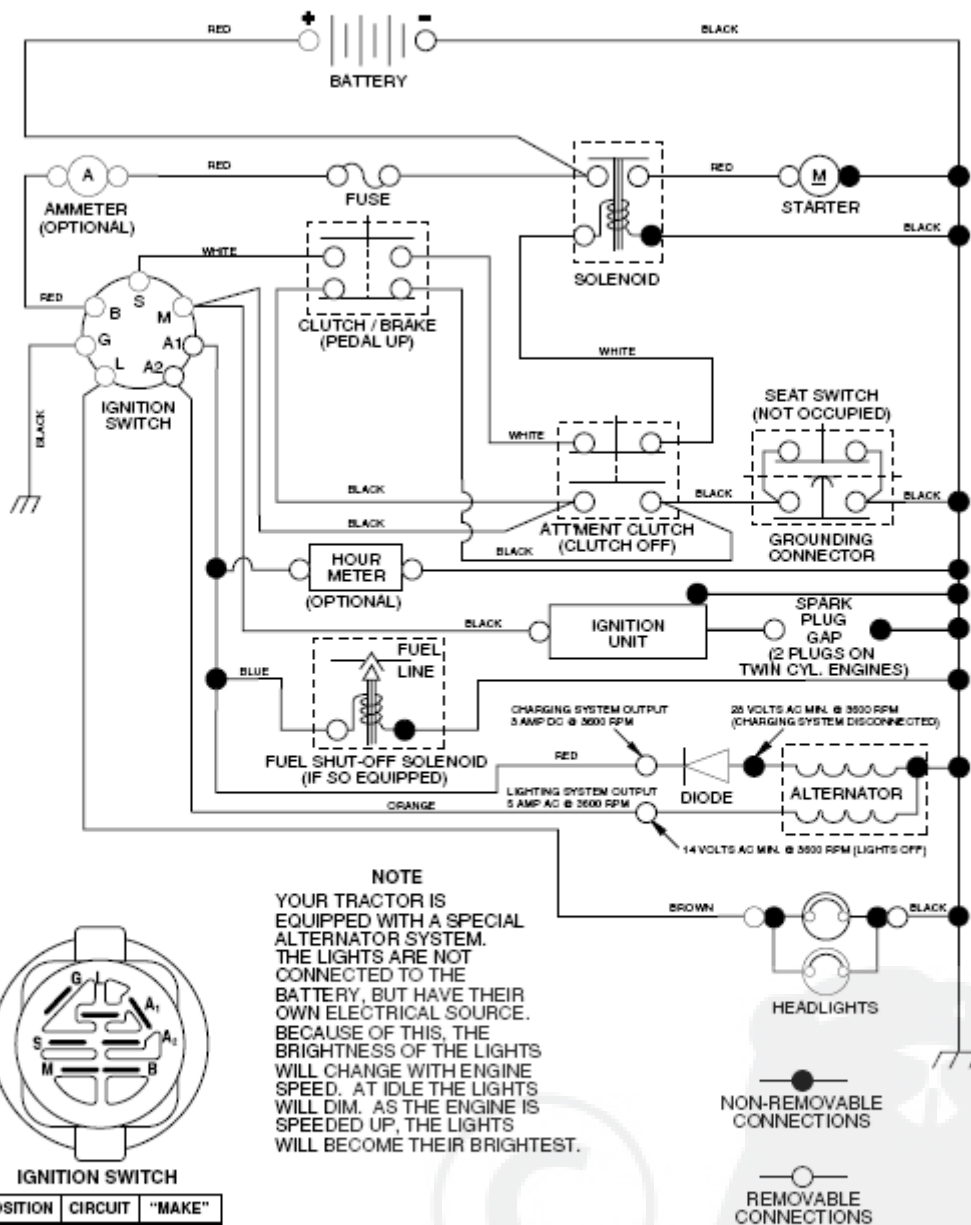
Sears Craftsman Help Line  
5 am - 5 pm, Mon - Sat

Sears, Roebuck and Co., Hoffman Estates, IL 60179 U.S.A.

Visit our Craftsman website: [www.sears.com/craftsman](http://www.sears.com/craftsman)

# TRACTOR -- MODEL NUMBER 917.272450

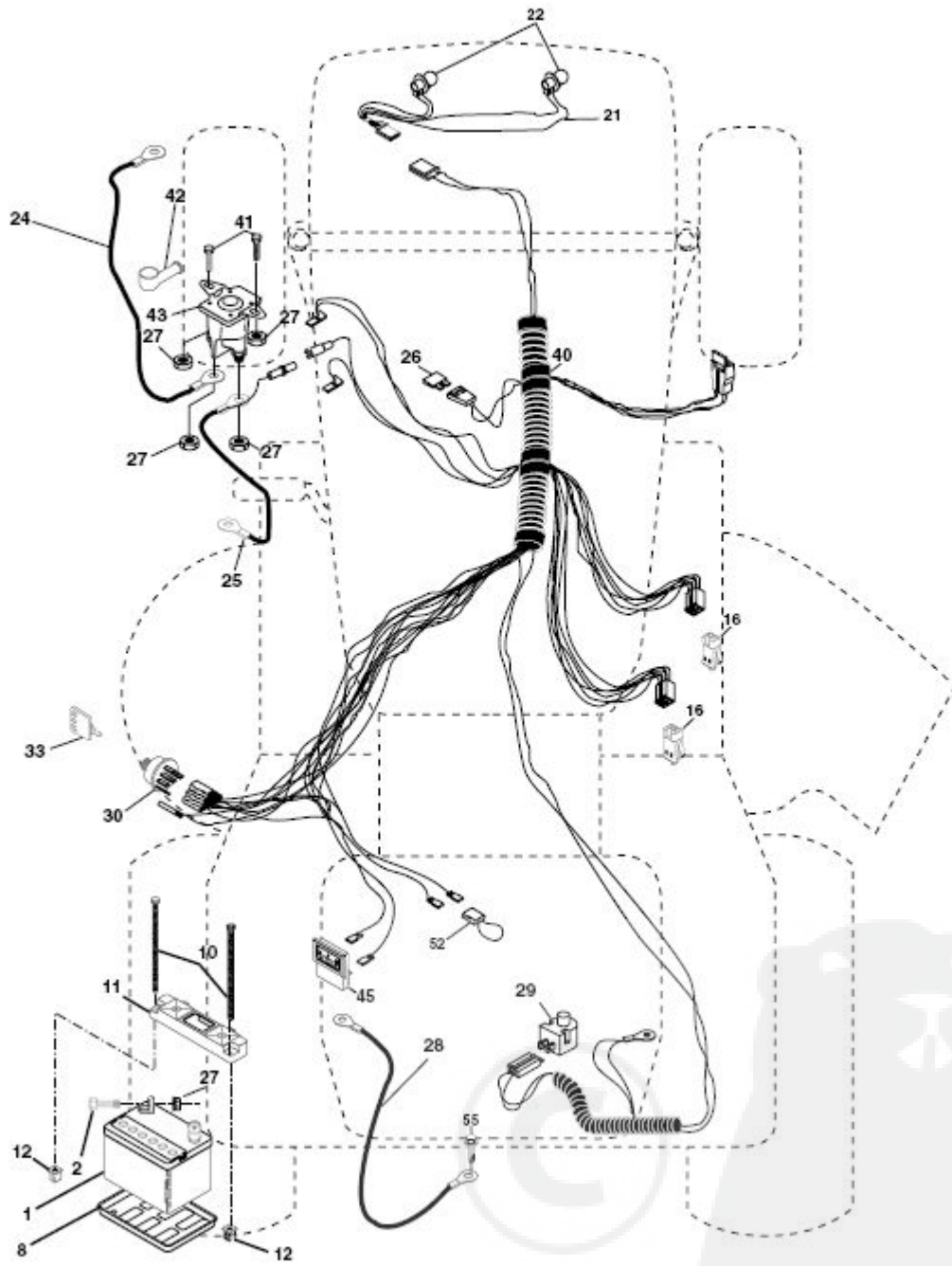
## SCHEMATIC



# REPAIR PARTS

TRACTOR -- MODEL NUMBER 917.272450

ELECTRICAL

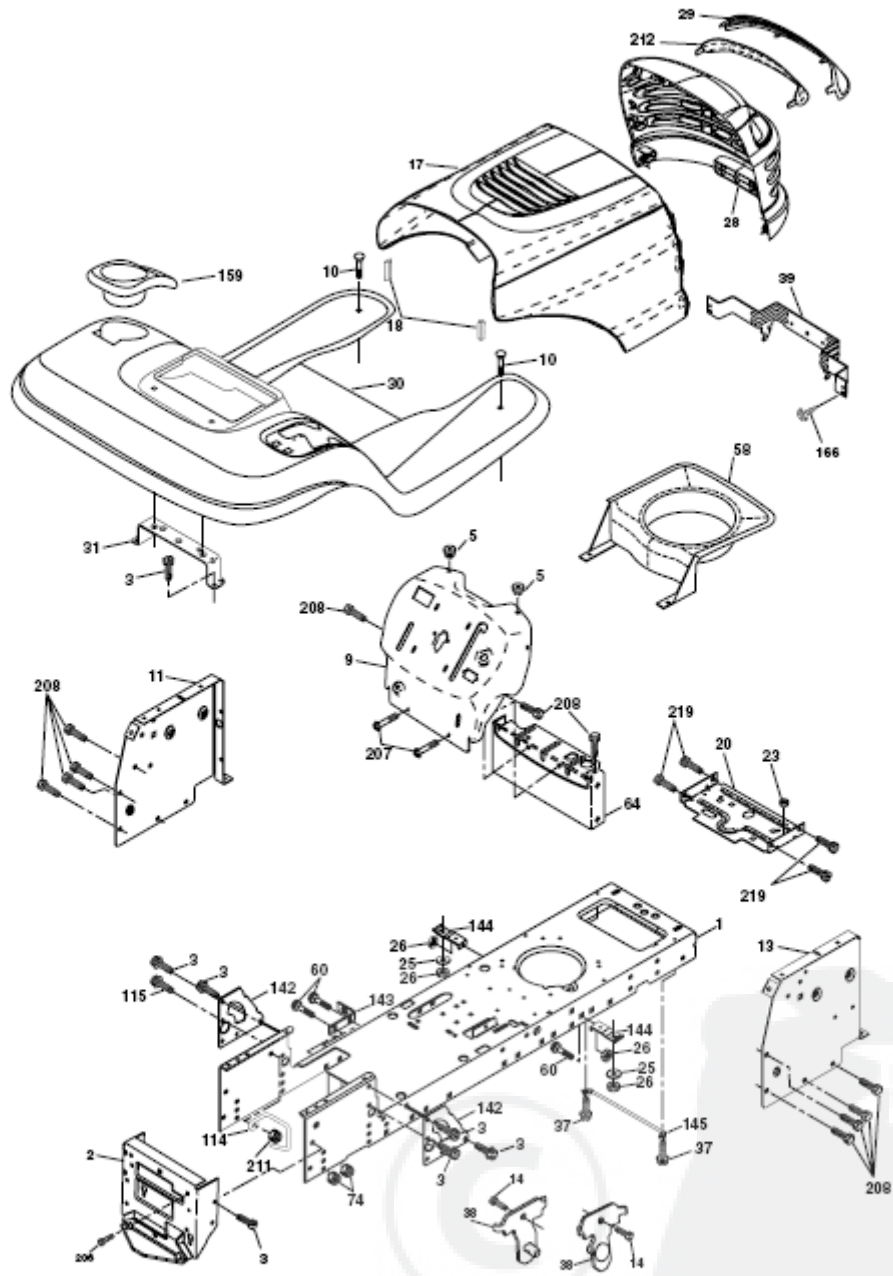


KEY NO.	PART NO.	DESCRIPTION
1	163465	Battery 12 VOLT 28 AMP
2	74760412	Bolt Hex Hd 1/4-20unc x 3/4
8	7603J	Case Battery
10	145211	Bolt, Btr Front 1/4-20 x 7-1/2
11	150109	Holddown Battery Front Mount
12	145769	Nut, Push Nylon Battery Front 1/4
16	176138	Switch, Interlock Push-In
21	175688	Harness Light Socket (W/4152j)
22	4152J	Bulb Light #1156
24	4799J	Cable Battery
25	146148	Cable Battery
26	175158	Fuse
27	73510400	Nut Keps Hex 1/4-20 Unc
28	145491	Cable Ground
29	121305X	Switch Seat
30	175566	Switch Ign
33	140403	Key Molded Craftsman
40	179720	Harness Ign
41	71110408	Bolt Blk. Fin Hex 1/4-20 Unc x 1/2
42	131563	Cover Terminal
43	178861	Solenoid
45	121433X	Ammeter Rectangular 6 Amp
52	141940	Protection Wire Loop
55	17490508	Screw Thdrol 5/16-18 x 1/2

**NOTE:** All component dimensions given in U. S.  
inches 1 inch = 25.4 mm



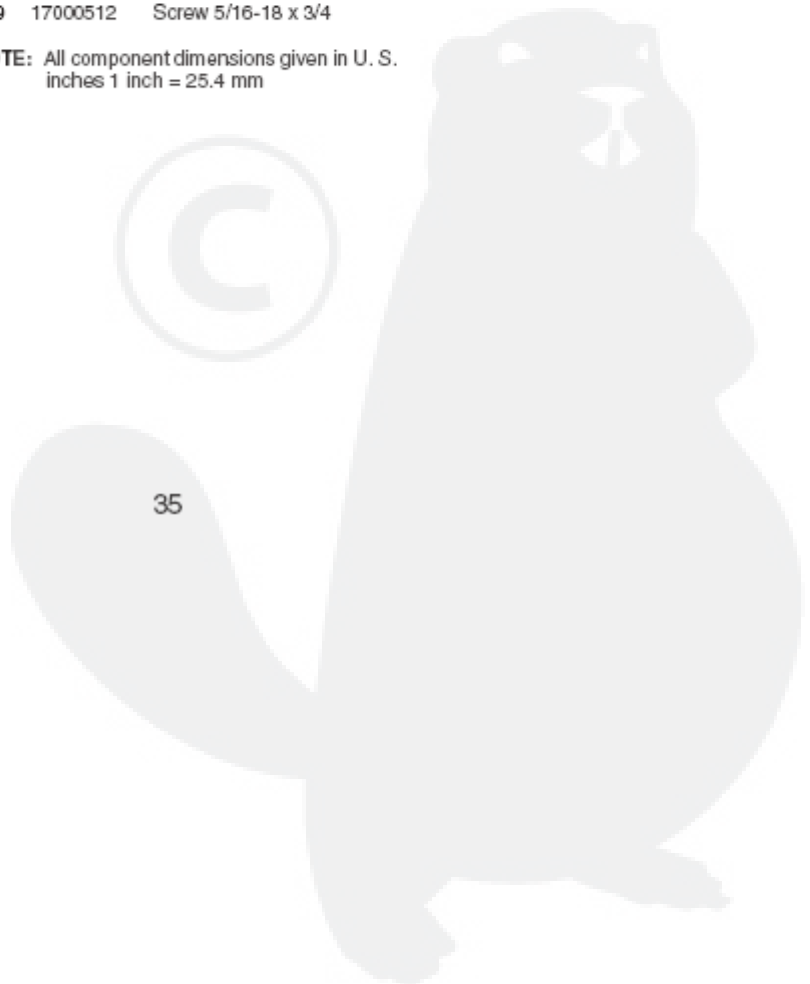
TRACTOR -- MODEL NUMBER 917.272450  
CHASSIS AND ENCLOSURES



**TRACTOR -- MODEL NUMBER 917.272450  
CHASSIS AND ENCLOSURES**

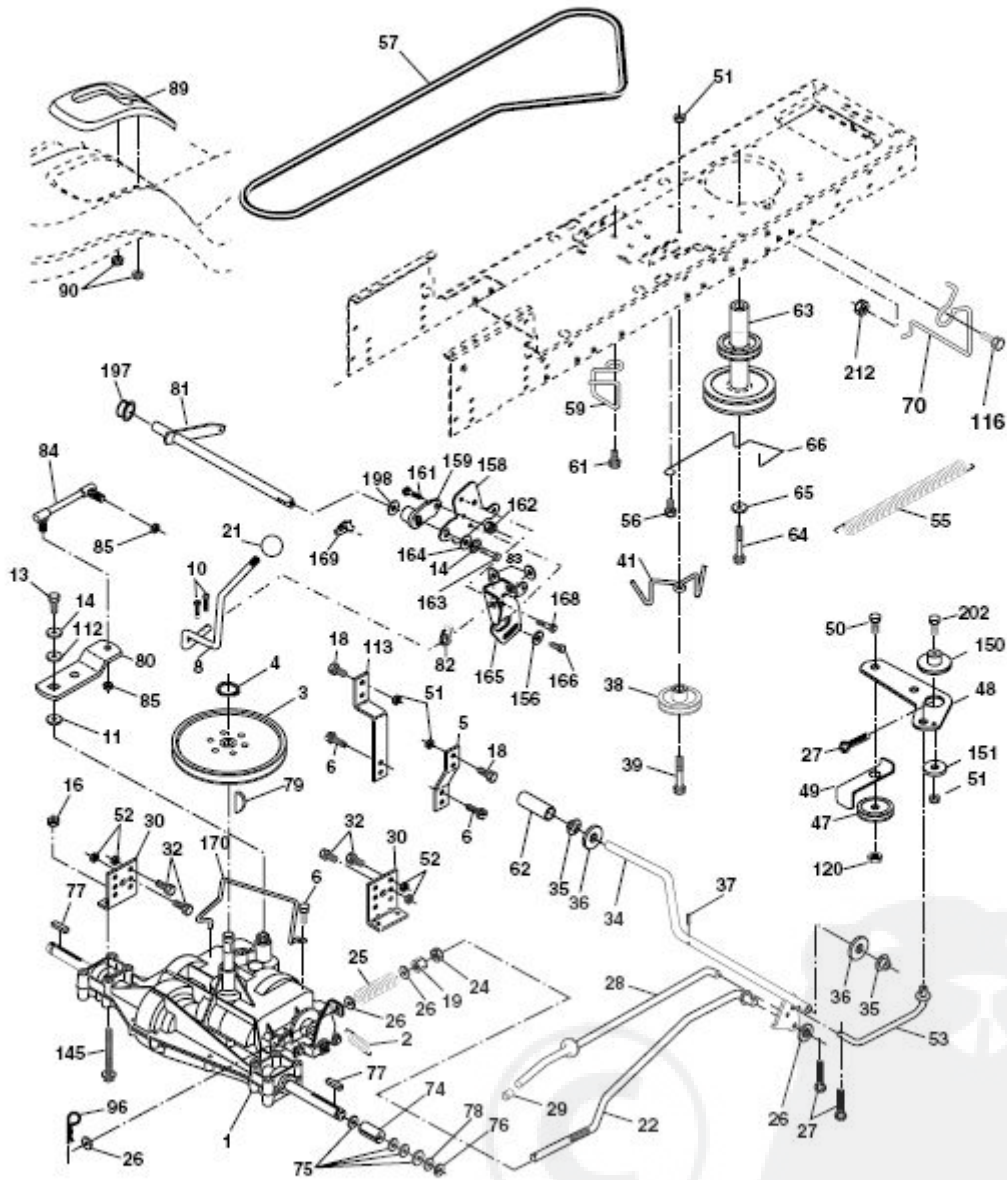
<b>KEY NO.</b>	<b>PART NO.</b>	<b>DESCRIPTION</b>
1	174619	Chassis Assembly
2	176554	Drawbar
3	17060612	Screw 3/8-16 x 3/4
5	155272	Bumper Hood/Dash
9	168337X013	Dash
10	STD533710	Bolt, Carriage 3/8-16 x 1
11	174996	Panel, Dash, L.H.
13	172106X431	Panel, Dash, R.H.
14	17490608	Screw Thdrol 3/8-16 x 1/2
17	174330X612	Hood Assembly
18	126938X	Bumper Hood
20	180679	Plate Mtg Battery Fuel Tank
23	124028X	Bushing, Snap, Nylon, Fuel Line
25	19131312	Washer 13/32 x 13/16 x 12 Gauge
26	STD541437	Locknut, Hex, with Insert 3/8-16 Unc
28	177403	Grille/Lens Asm
29	174332X599	Lens, Grille
30	175692X612	Fend/Frest
31	139976	Bracket, Fender Support
37	17490508	Screw Thdrol 5/16-18 x 1/2
38	175710	Pivot Bracket Assembly
39	174714	Bracket Pivot
58	174930	Air Duct B&S
60	STD533707	Bolt Rdhd Sqnk 3/8-16 UNC x 3/4
64	154798	Dash Lower STLT
74	STD541437	Nut Crownlock 3/8-16 UNC
114	158112	Keeper Belt Rear Lh Stl
115	17060620	Screw 3/8-16 x 1-1/4
142	175702	Plate ReinforcementSTLT
143	154966	Bracket Swaybar Chassis
144	175582	Bracket Pnt Footrest STLT
145	156524	Rod Pivot Chassis/Hood
159	155123X428	Cupholder
166	164863	Screw Hwhd Hi-Lo #13-16 x 3/4
206	170165	Bolt Shoulder 5/16-18 TT
207	17670508	Screw Thdrol 5/16-18 x 1/2
208	17670608	Screw Thdrol 3/8-16 x 1/2
211	145212	Nut Hexflange Lock
212	175143	Insert Lens Reflective
219	17000512	Screw 5/16-18 x 3/4

**NOTE:** All component dimensions given in U. S. inches 1 inch = 25.4 mm





TRACTOR-- MODEL NUMBER 917.272450  
GROUND DRIVE



## TRACTOR -- MODEL NUMBER 917.272450

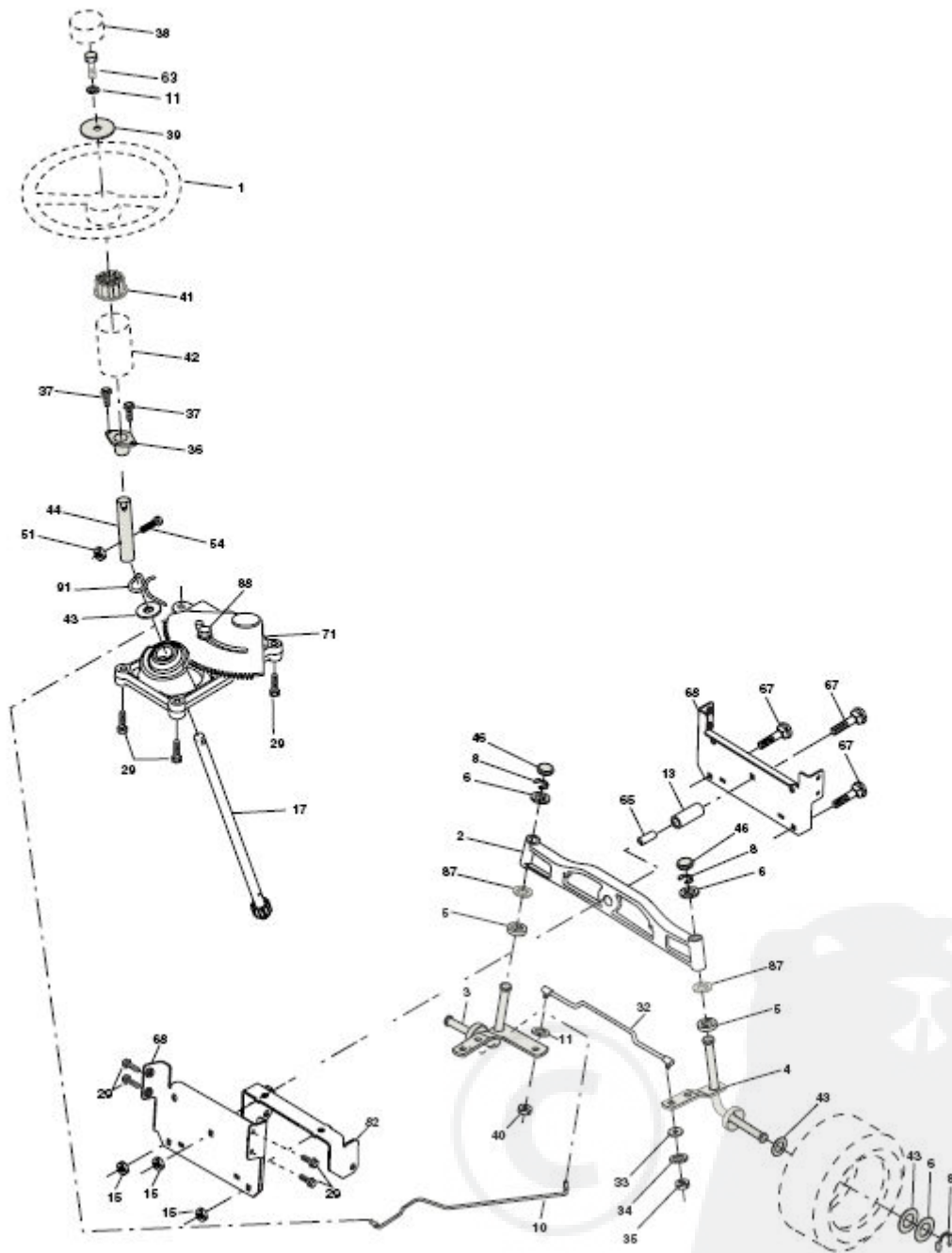
### GROUND DRIVE

KEY PART NO.	PART NO.	DESCRIPTION	KEY PART NO.	PART NO.	DESCRIPTION
1	-----	Transaxle (See Breakdown)	64	71170764	Bolt, Hex 7/16-20 x 4 Grade 5
2	146682	Peerless 206-545C	65	STD551143	Washer
3	123666X	Spring, Return, Brake	66	154778	Keeper, Belt, Engine, Fool-Proof
4	12000028	Pulley, Transaxle	70	134683	Guide, Mower Drive Belt, R.H.
5	121520X	Ring, Retainer	74	137057	Spacer, Axle
6	17060512	Strap, Torque	75	121749X	Washer 25/32 x 1-1/4 x 16 Ga.
8	165866	Screw 5/16-18 x 3/4	76	STD581075	E-Ring
10	STD561210	Rod Shifter Fender STLT	77	123583X	Key, Square 2.0 x .1845/.1865
11	105701X	Pin, Cotter	78	121748X	Washer 25/32 x 1-5/8 x 16 Ga
13	74550412	Washer, Shift Plate	79	STD580025	Key Woodruff
14	10040400	Bolt 1/4-28 UNF W/Patch Gr. 8	80	145090	Arm, Shift
16	73800500	Washer Lock Hvy Helical	81	165592	Shaft Asm Cross Tapered 650 20
18	STD523710	Nut Lock Hx W/Ins 5/16-18	82	165711	Spring, Torsion
19	STD541437	Bolt Fin Hex 3/8-16UNC x 1 Gr 5	83	19171216	Washer 17/32 x 3/4 x 16 Ga.
21	106933X	Nut	84	166231	Link Transaxle
22	130904	Knob	85	150360	Nut, Nylock
24	STD541237	Rod, Brake	89	158391X428	Console, Shift, STLT
25	106888X	Nut	90	124346X	Nut, Self-Thding, Wsh Hd 1/4
26	STD551037	Spring, Brake Rod	96	STD624003	Retainer Spring 1"
27	STD561210	Washer	112	19091210	Washer 9/32 x 3/4 x 10 Gauge
28	175765	Pin	113	127285X	Strap Torque 90 Degrees
29	71673	Rod, Parking Brake	116	72140608	Bolt Rdhd Sqneck 3/8-16 x 1
30	169592	Cap, Parking Brake	120	73900600	Nut Lock Flg. 3/8-16
32	STD523107	Bracket, Transaxle	145	74490540	Bolt, Hex Flghd 5/16-18 Gr. 5
34	175578	Bolt	150	175456	Spacer Retainer
35	120183X	Shaft Assembly, Foot Pedal	151	19133210	Washer 13/32 x 2 x 10 Ga.
36	STD551062	Bearing, Nylon	156	166002	Washer Srted 5/16ID x 1.125
37	STD571810	Washer	158	165589	Bracket Shift Mount
38	179114	Roll Pin	159	165494	Hub Tapered Flange Shift Lt
39	74760648	Pulley, Composite, Flat	161	72140406	Bolt Rdhd Sqnk 1/4-20 x 3/4 Gr.5
41	175556	Bolt, Fin Hex 3/8-16 x 3	162	73680400	Nut Crownlock 1/4-20 Unc
47	127783	Keeper, Belt, Idler	163	74780416	Bolt Hex Fin 1/4-20Unc x 1 Gr 5
48	154407	Pulley, Idler, V-Groove, Plastic	164	19091010	Washer 5/8 x .281 x 10 Ga
49	123205X	Bellcrank Clutch Grnd Drv Stl	165	165623	Bracket Pivot Lever
50	STD523715	Retainer, Belt	166	166880	Screw 5/16-18 x 5/8
51	STD541437	Bolt Hex Hd 3/8-16 x 1-1/2	168	165492	Bolt Shoulder 5/16-18 x .561
52	STD541431	Nut Crown Lock 3/8-16 UNC	169	165580	Plate Fastening Lt
53	105710X	Nut Crown Lock 5/16-18 UNC	170	178394	Keeper Belt Transaxle Gear
55	105709X	Link, Clutch	197	169613	Nyliner Snap-In
56	17060620	Spring, Clutch Return	198	169593	Washer Nyliner
57	130901	Screw 3/8-16 x 1-1/4	202	72110614	Bolt Carr. SH 3/8-16 x 1-3/4 Gr. 5
59	169691	V-Belt, Ground Drive	212	145212	Nut Hex Flg. Lock
61	17120614	Keeper, Belt, Center Span			
62	8883R	Screw 3/8-16 x .875			
63	175410	Cover, Pedal			
		Pulley, Engine			

NOTE: All component dimensions given in U. S. inches 1 inch = 25.4 mm



STEERING

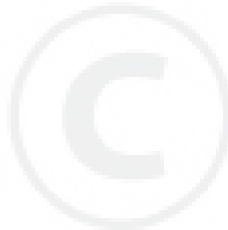


TRACTOR -- MODEL NUMBER 917.272450

STEERING

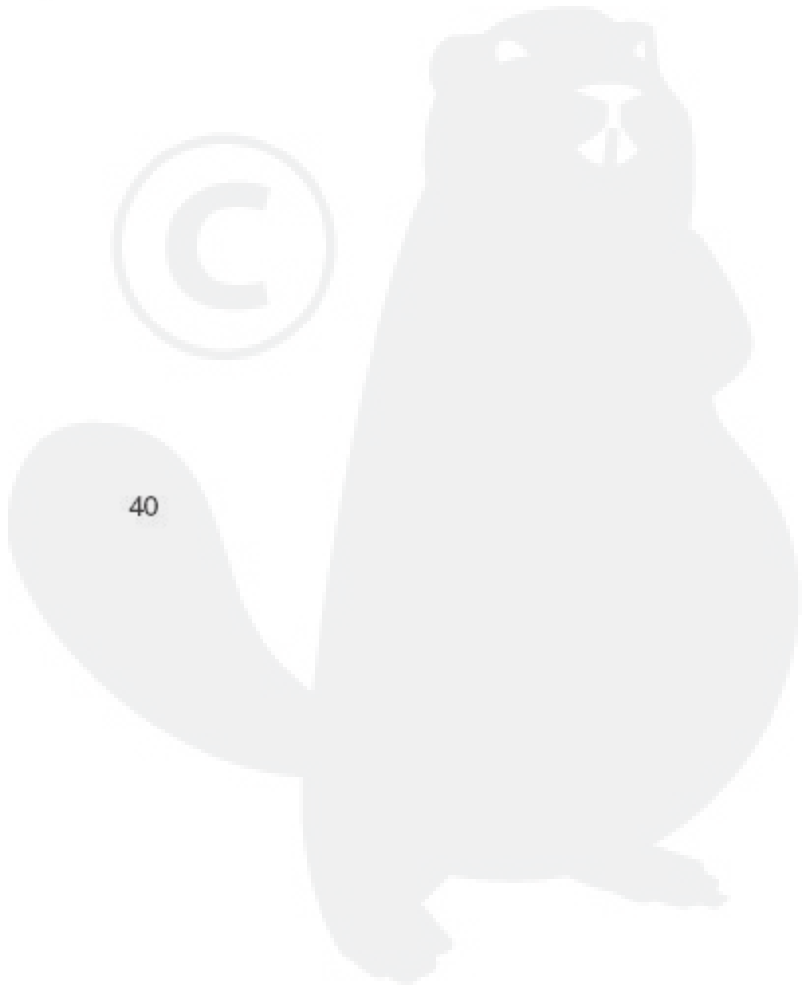
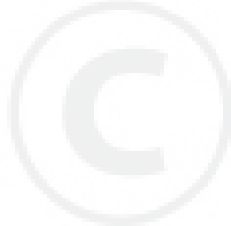
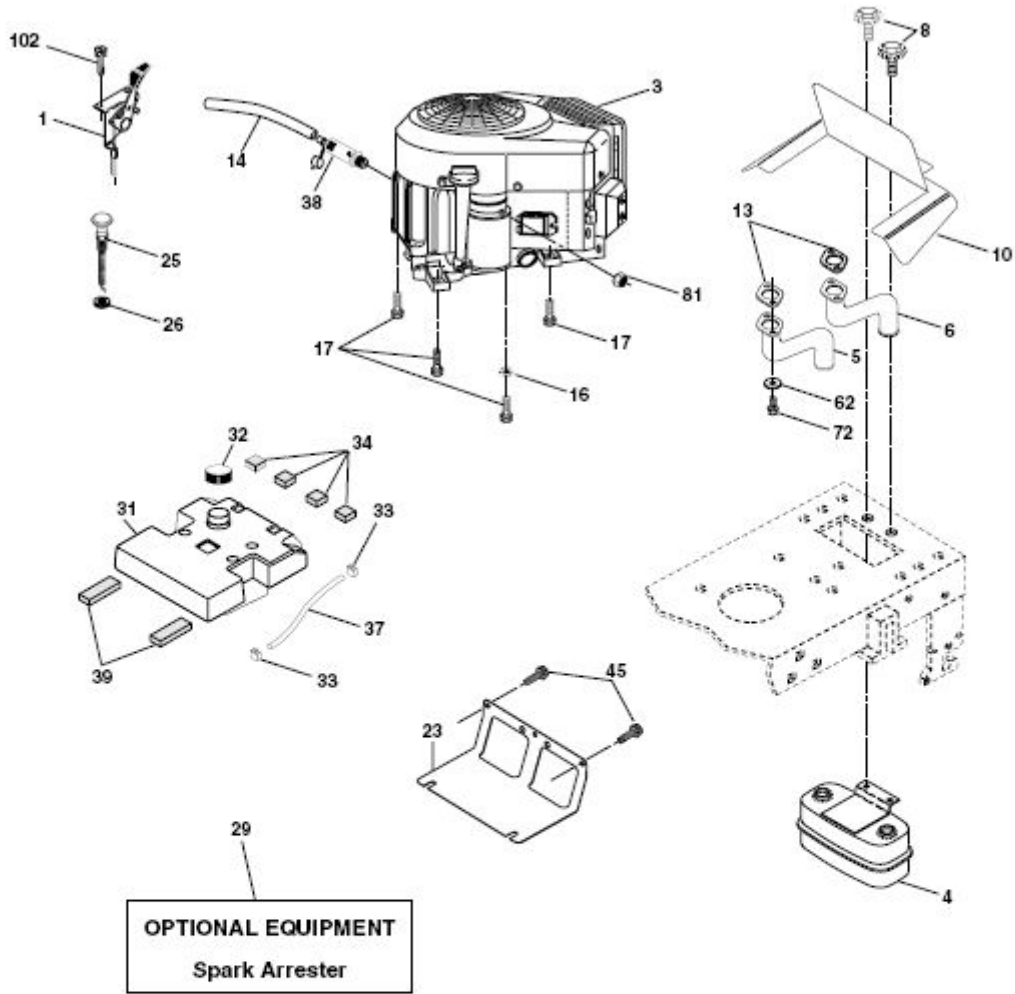
KEY PART NO.	NO.	DESCRIPTION
1	159944X428	Steering Wheel
2	172393	Axle Assembly
3	169840	Spindle Assembly, L.H.
4	169839	Spindle Assembly, R.H.
5	6266H	Bearing, Race, Thrust, Hardened
6	121748X	Washer 25/32 x 1-5/8 x 16 Gauge
8	12000029	Ring, Klip
10	175121	Draglink
11	STD551137	Washer, Lock
13	136518	Spacer, Bearing, Axle
15	145212	Nut, Hexflange Lock
17	177876	Shaft Assembly, Steering
29	17060612	Screw 3/8-16 x 3/4
32	171888	Rod, Tie
33	19111216	Washer 11/32 x 3/4 x 16 Ga.
34	10040500	Washer Lock 5/16
35	73540500	Crownlock Nut 5/16-24 Unf
36	155099	Bushing, Steering
37	152927	Screw
38	159946X428	Insert, Steering Wheel
39	19132411	Washer 13/32 x 2-3/8 x 12 Gauge
40	STD541537	Gripco Nut
41	159945	Adaptor, Steering Wheel
42	145054X428	Boot, Steering Shaft
43	121749X	Washer 25/32 x 1-1/4 x 16 Gauge
44	153720	Extension Shaft Steering LR.LT
46	121232X	Cap, Spindle
51	STD541431	Nut Lock Hex w/Ins. 5/16-18 UNC
54	74780520	Bolt Fin Hex 5/16-18 UNC x 1-1/4
63	STD523710	Bolt, Fin Hex 3/8-16 UNC x 1 Gr 5
65	160367	Spacer Brace Axle
67	72140618	Bolt RDHD SQNK 3/8-16 x 2-1/4
68	169827	Axle, Brace
71	175146	Steering Asm
82	169835	Bracket Susp Chassis Front
87	173966	Washer Flat .781 x 1-1/2 x .14
88	175118	Bolt shoulder 7/16-20
91	175553	Clip Steering

NOTE: All component dimensions given in U. S. inches 1 inch = 25.4 mm



TRACTOR -- MODEL NUMBER 917.272450

ENGINE



# ENGINE

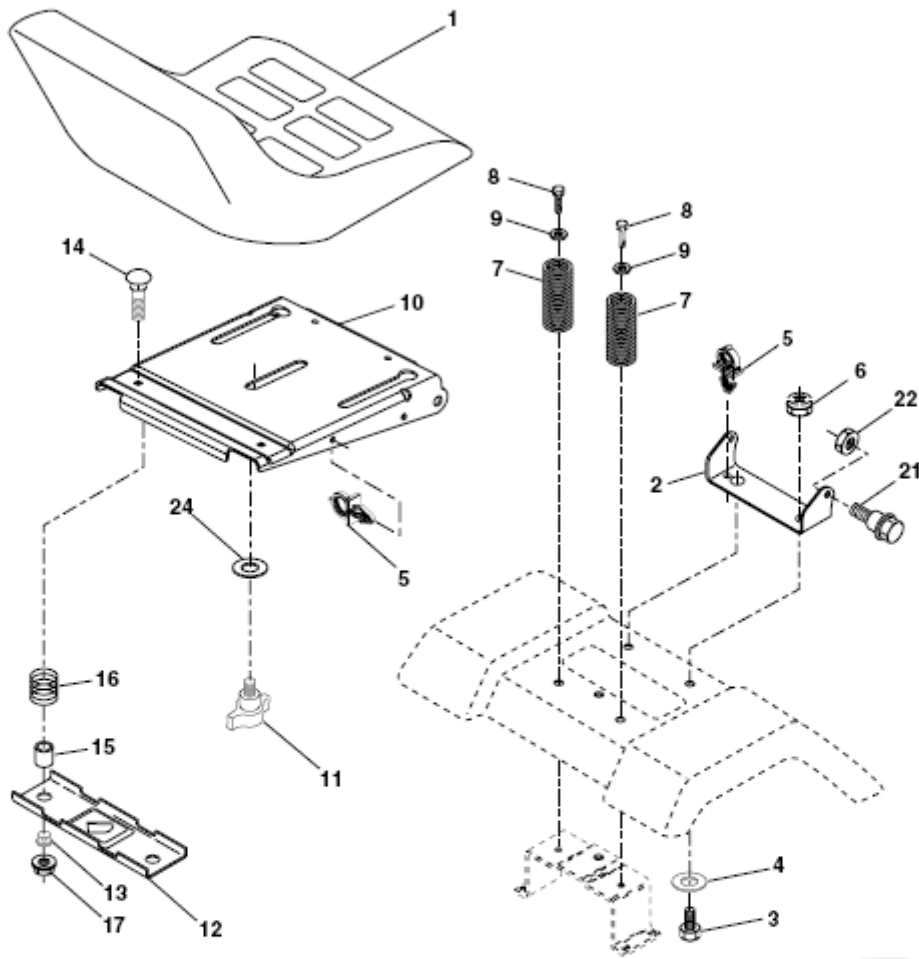
## TRACTOR -- MODEL NUMBER 917.272450

KEY PART NO.	NO.	DESCRIPTION
1	170546	Control, Throt Paddle
3	-----	Engine, B&S, (See Breakdown) No. 407777-0174-E1
4	149723	Muffler Exhaust
5	159955	Exhaust Asm. Left
6	160589	Exhaust Asm. Right
8	171877	Bolt 5/16-18unc x 3/4 W/Sems
10	162797	Heat Shield Lt
13	165391	Gasket, Muffler
14	148456	Tube Drain Oil Easy
16	STD551237	Washer Lock Ext Tooth 3/8
17	17060624	Screw 3/8-16 x 1-1/2
23	169837	Shield, Brn/Dbr Guard
25	145996	Control Choke
26	73920600	Nut Keps 3/8-24 Unf
29	137180	Arrestor, Spark
31	157103	Tank, Fuel
32	161696	Cap Fuel Guage
33	123487X	Clamp, Hcse
34	106082X	Spacer Pad
37	8543R	Line, Fuel
38	148315	Plug, Oil Drain Easy
39	109227X	Pad Idler
45	17000612	Screw Hex Wsh3/8-16 x 3/4
62	10040500	Washer Lock 5/16
72	71070512	Screw Hex 5/16-18 x 3/4
81	73510400	Nut Keps Hex 1/4-20 Starter Nut
102	17720408	Screw, Hex Thd Cut 1/4-20 x 1/2

**NOTE:** All component dimensions given in U. S. inches 1 inch = 25.4 mm



**TRACTOR -- MODEL NUMBER 917.272450**  
**SEAT ASSEMBLY**



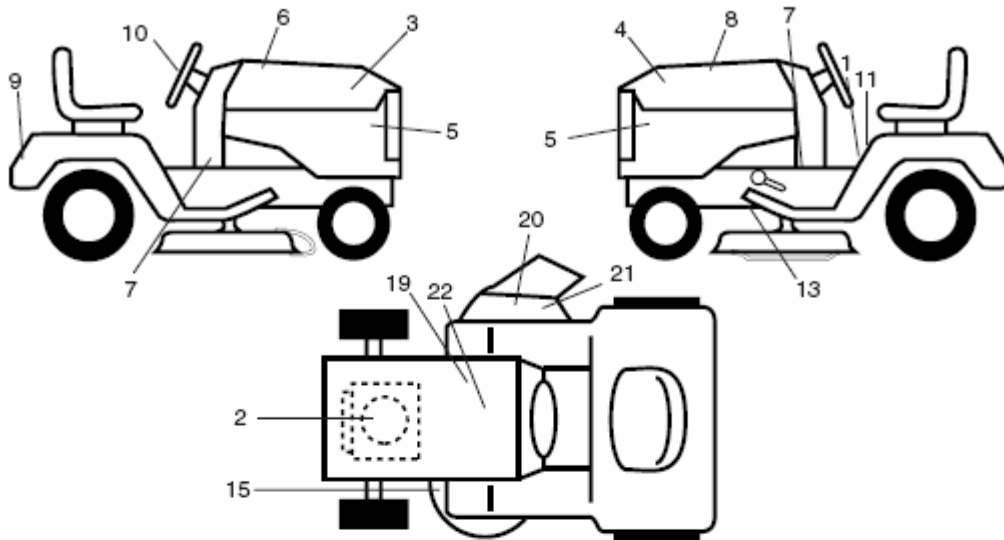
KEY PART NO.	NO.	DESCRIPTION
1	180597	Seat
2	180166	Bracket, Pivot, Seat
3	71110616	Bolt
4	19131610	Washer 13/32 x 1 x 10 Gauge
5	145006	Clip, Push-In Hinged
6	STD541437	Nut
7	124181X	Spring, Seat
8	17000616	Screw 3/8-16 x 1-1/2
9	19131614	Washer 13/32 x 1 x 14 Gauge
10	180186	Pan, Seat
11	166369	Knob Seat
12	121246X	Bracket, Switch Mounting

KEY PART NO.	NO.	DESCRIPTION
13	121248X	Bushing, Snap
14	72050412	Bolt, Carriage 1/4-20 x 1-1/2
15	134300	Spacer, Split .28 x .88
16	121250X	Spring
17	123976X	Locknut, Flange 1/4 Grade 5
21	171852	Bolt, Shoulder 5/16-18 UNC
22	STD541431	Nut
24	19171912	Washer 17/32 x 1-3/16 x 12 Ga.

**NOTE:** All component dimensions given in U.S. inches 1 inch = 25.4 mm

## TRACTOR -- MODEL NUMBER 917.272450

### DECALS



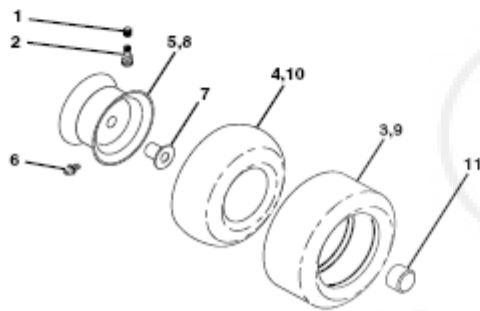
#### KEY PART NO. NO.

KEY PART NO.	NO.	DESCRIPTION
1	156439	Decal, Fender Danger Sears
2	181569	Decal, Engine
3	177356	Decal, Hood, R.H.
4	177357	Decal, Hood, L.H.
5	177355	Decal, Hood Side
6	133644	Decal, Maintenance
7	181703	Decal, Lower Dash
8	181428	Decal, Rplcmnt
9	163204	Decal, Fender, Craftsman White
10	164065	Decal, Strng Whl Domed

#### KEY PART NO. NO.

KEY PART NO.	NO.	DESCRIPTION
11	156368	Decal, Fender STLT Oper Inst E/
S		
13	146046	Decal, V-Belt Dr Sch Tractor
15	160396	Decal, Mower Drive Schematic
19	138047	Decal, Battery Diehard Sears
20	172331	Decal, Deck Sears
21	179128	Decal, Deck
22	149516	Decal, Battery
--	138311	Decal, Lift Handle
--	165800X428	Pad Footrest LH STLT
--	165799X428	Pad Footrest RH STLT
--	181335	Owner's Manual, English
--	181336	Owner's Manual, Spanish

### WHEELS AND TIRES



#### KEY PART NO. NO.

KEY PART NO.	NO.	DESCRIPTION
1	59192	Valve Cap, Tire
2	65139	Stem, Valve
3	106222X	Tire, Front
4	59904	Tube, Front Tire (Not Provided, Service Item Only)
5	106732X427	Rim, Front
6	278H	Fitting, Grease (Front Wheel Only)
7	9040H	Bearing, Flange (Front Wheel Only)
8	106108X427	Rim, Rear
9	122082X	Tire, Rear
10	7152J	Tube, Rear Tire (Not Provided, Service Item Only)
11	104757X428	Cap, Axle

**NOTE:** All component dimensions given in U. S. inches 1 inch = 25.4 mm

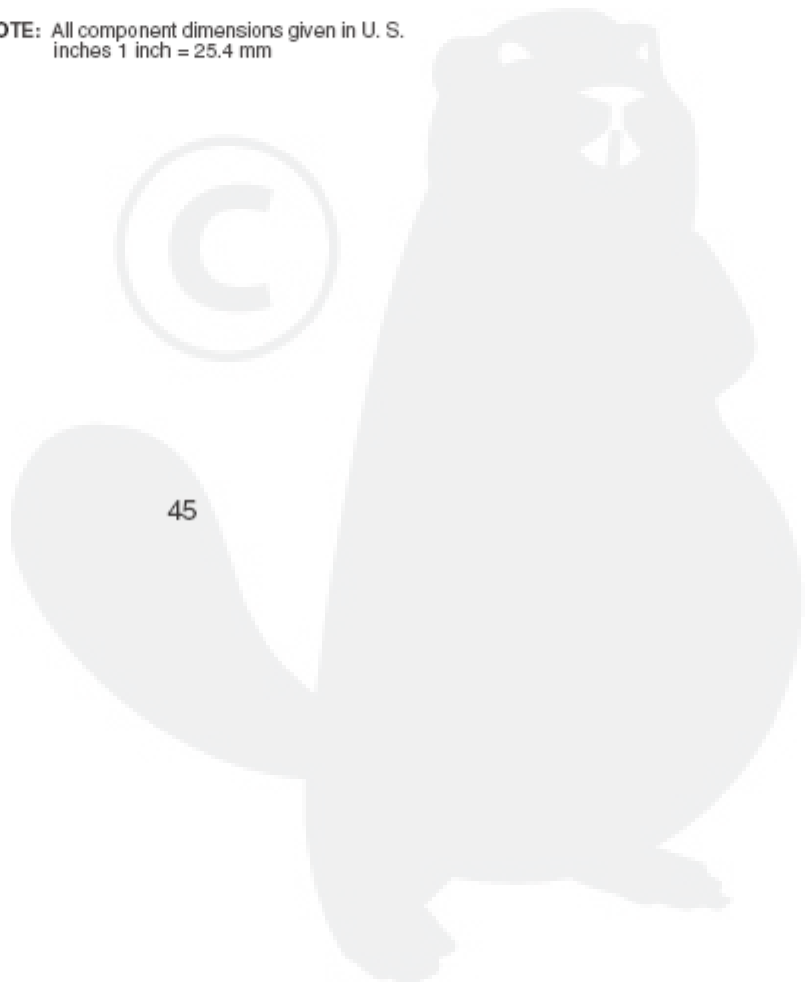




**LIFT ASSEMBLY**                      **TRACTOR - - MODEL NUMBER 917.272450**

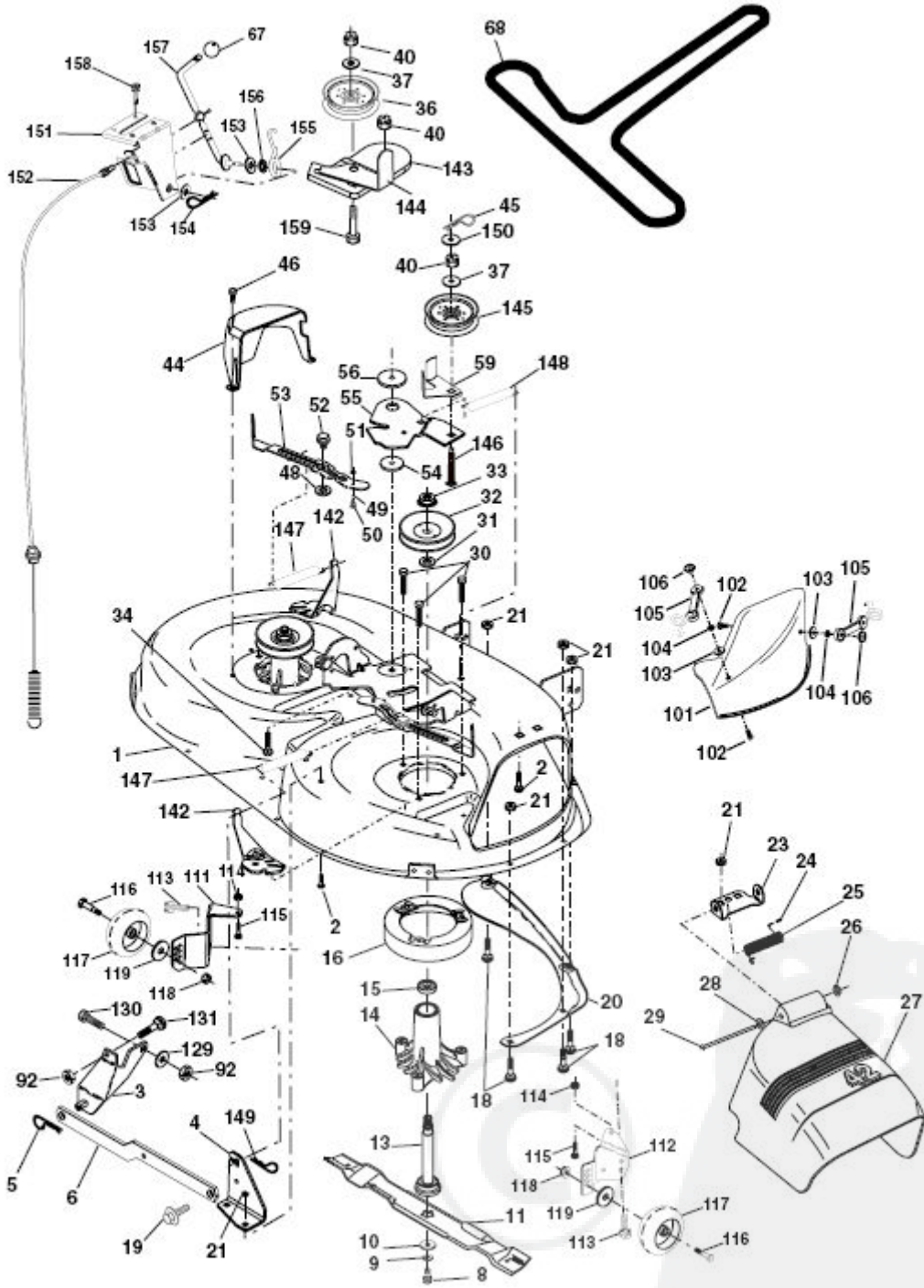
<b>KEY PART NO.</b>	<b>PART NO.</b>	<b>DESCRIPTION</b>
1	159460	Wire Asm Inner/Sprg W/plunger LT
2	159471	Shaft Asm Lift RH w/Inf
3	105767X	Pin Groove 1 500 Zinc
4	12000002	E Ring #5133-62
5	19211621	Washer 21/32 X 1 X 21 Ga
6	120183X	Bearing Nylon Blk 629 Id
7	125631X	Grip Handle
8	122365X	Button Plunger Yellow
11	139865	Link Lift LH Fixed Length
12	139866	Link Lift RH Fixed Length
13	4939M	Retainer Spring
15	173288	Link Front
16	73350800	Nut Jam Hex 1/2-13 Unc
17	173689	Trunnion Blk Zinc
18	73800800	Nut Lock w/Wsh 1/2-13 Unc
19	139868	Arm Suspension Rear
20	163552	Retainer Spring
23	110807X	Nut Special
24	19131016	Washer 13/32 X 5/8 X 16 Ga
25	2876H	Spring 2-1/8"
26	169484	Retainer Clip
27	126971X	Rod Adj Lift Zinc 7.49 Wrk Lg
28	73350600	Nut Hex Jam 3/8-16 Unc
29	138057	Knob Inf 3/8-16 Unc Blk W/sym
30	150233	Trunnion Infin Height
31	169865	Bearing Pvt Lift
32	73540600	Nut Crownlock 3/8 - 24
36	155097	Pointer Height Indicator
37	129935X	Plug Hole Blk 1.485/1.515 Dia.
38	17060516	Screw Thdrol 5/16-18 x 1
40	19112410	Washer 11/32 x 1-1/2 10 Ga.
41	155098	Indicator Height STLT
49	145212	Nut Hex Flange Lock
50	110452X	Nut PUSh Phos & Oil

**NOTE:** All component dimensions given in U. S. inches 1 inch = 25.4 mm



TRACTOR -- MODEL NUMBER 917.272450

MOWER DECK

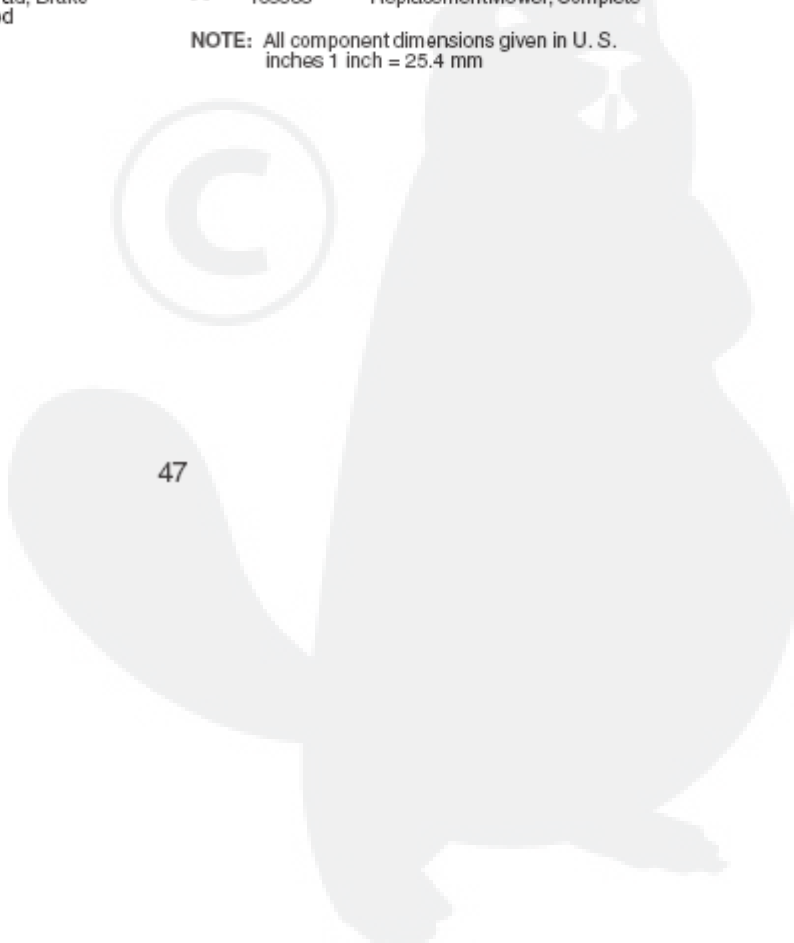
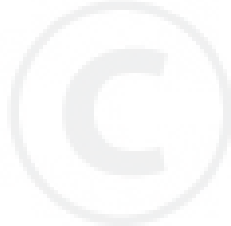


**TRACTOR - - MODEL NUMBER 917.272450**

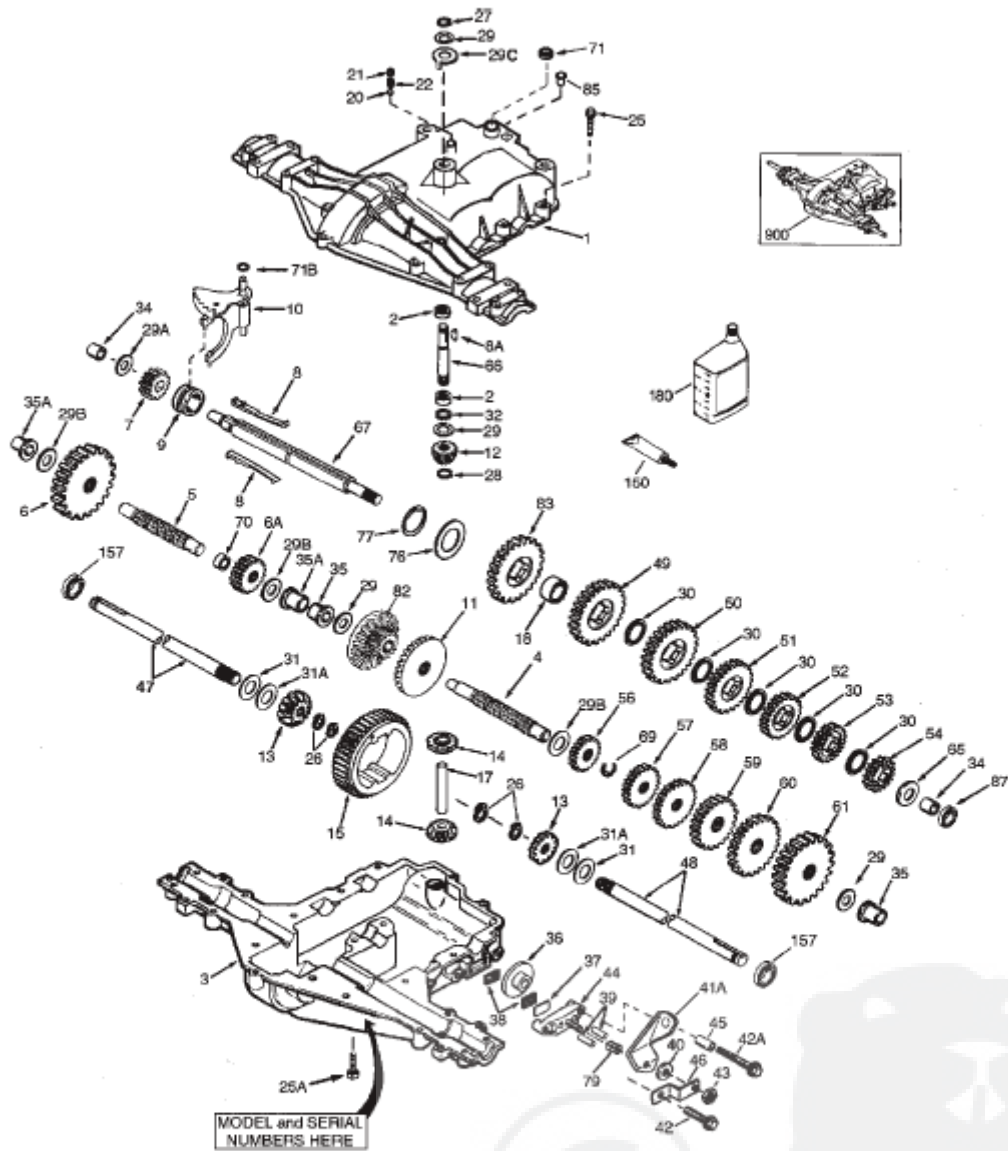
**MOWER DECK**

<b>KEY PART NO. NO.</b>	<b>DESCRIPTION</b>	<b>KEY PART NO. NO.</b>	<b>DESCRIPTION</b>
1	165892 Mower Deck Assembly, 42"	67	149846 Knob Custom Oval
2	STD533107 Bolt	68	144959 V-Belt
3	138017 Bracket Assembly,Sway Bar, Front	92	STD541437 Nut
4	165460 Bracket Sway Bar 38/42" Deck	101	136420 Mulcher Cover
5	STD624008 Retainer Spring	102	71081010 Screw Pan HD Phillip 10-24 x 5/8
6	178024 Bar Sway Deck	103	19061216 Washer #10
8	850857 Bolt, Hex 3/8-24 x 1.25 Gr. 8	104	STD551110 Washer, Lock
9	STD551137 Washer, Lock	105	160793 Latch Assembly, Bagger
10	140296 Washer, Hardened	106	2029J Nut, Weld
11	134149 Blade, Mulching	111	179292 Bracket, Gauge, Wheel L.H.
13	137645 Shaft Assembly, Mandrel, Vented	112	179293 Bracket, Gauge, Wheel R.H.
14	128774 Housing, Mandrel, Vented	113	17060510 Screw 3/8-16 x .625
15	110485X Bearing, Ball, Mandrel	114	STD541431 Nut, Hex, Keps 5/16-18 UNC
16	174493 Stripper, Mower Deck	115	72110505 Bolt, Carriage 5/16 UNC x 5/8
18	72140505 Bolt, Carriage 5/16-18 x 5/8	116	4896H Bolt, Shoulder
19	132827 Bolt, Shoulder	117	165746 Wheel, Gauge
20	159770 Baffle, Vortex	118	73930600 Nut, Centerlock 3/8-16
21	STD541431 Nut Crownlock 5/16-18 UNC	119	STD551037 Washer 3/8 x 7/8 x 14 Gauge
23	177563 Bracket, Deflector	129	19131312 Washer 13/32 x 13/16 x 12 Ga.
24	105304X Cap, Sleeve	130	STD523710 Bolt, Fin Hex 3/8-16 UNC x 1 Gr. 5
25	123713X Spring, Torsion, Deflector	131	STD533710 Bolt, Rdhd Sqnk 3/8-16UNC x 1
26	110452X Nut, Push	142	165890 Arm Spring Brake Mower
27	130968X428 Shield, Deflector	143	157109 Bracket Arm Idler 42"
28	19111016 Washer 1 1/32 x 5/8 x 16 Ga.	144	158634 Keeper Belt 42" Clutch Cable
29	131491 Rod, Hinge	145	165888 Pulley Idler Flat
30	173984 Screw Thdrol Washer Head	146	171977 Bolt Carriage Idler
31	129963 Washer, Spacer	147	131335 Spring Extension
32	153535 Pulley, Mandrel	148	169022 Spring Return Idler
33	178342 Nut, Toplock, Flanged	149	165898 Retainer Spring Yellow Zinc
34	STD533717 Bolt	150	19091216 Washer 9/32 x 3/4 x 16 Ga.
36	131494 Pulley, Idler, Flat	151	169670 Bracket Clutch
37	STD551037 Washer 13/32 x 13/16 x 16 Gauge	152	169676 Cable Clutch 42 In
40	STD541437 Nut Crownlock 3/8-16 UNC	153	169674 Washer Flat 3/8" Type B
44	140088 Guard, Mandrel, L.H.	154	169675 Spring Retainer
45	STD624003 Retainer	155	169671 Spring Retention Lever
46	137729 Screw, Thd. Roll 1/4-20 x 5/8	156	169672 Spacer
48	133944 Washer, Hardened	157	169669 Rod Clutch
49	174284 Roller Assembly, Cam Follower	158	17720408 Screw Hex Thd Cut 1/4-20 x 1/2
50	131340 Bolt, Shoulder #10-24 Grade 5	159	STD533717 Bolt Rdhd Sqnc 3/8-16Unc x 1-3/4
51	STD541410 Locknut	--	130794 Mandrel Assembly (Includes Housing, Shaf and Shaft Hardware Only-Pulley not included)
52	139688 Bolt, Shoulder 5/16-18 UNC	--	169583 Replacement Mower, Complete
53	131845 Arm Assembly, Pad, Brake		
54	133943 Washer, Hardened		
55	155046 Arm, Idler		
56	165723 Spacer, Retainer		
59	141043 Guard, TUV Idler		

NOTE: All component dimensions given in U. S. inches 1 inch = 25.4 mm



TRACTOR-- MODEL NUMBER 917.272450  
PEERLESS TRANSAXLE--MODEL NUMBER 206-545C





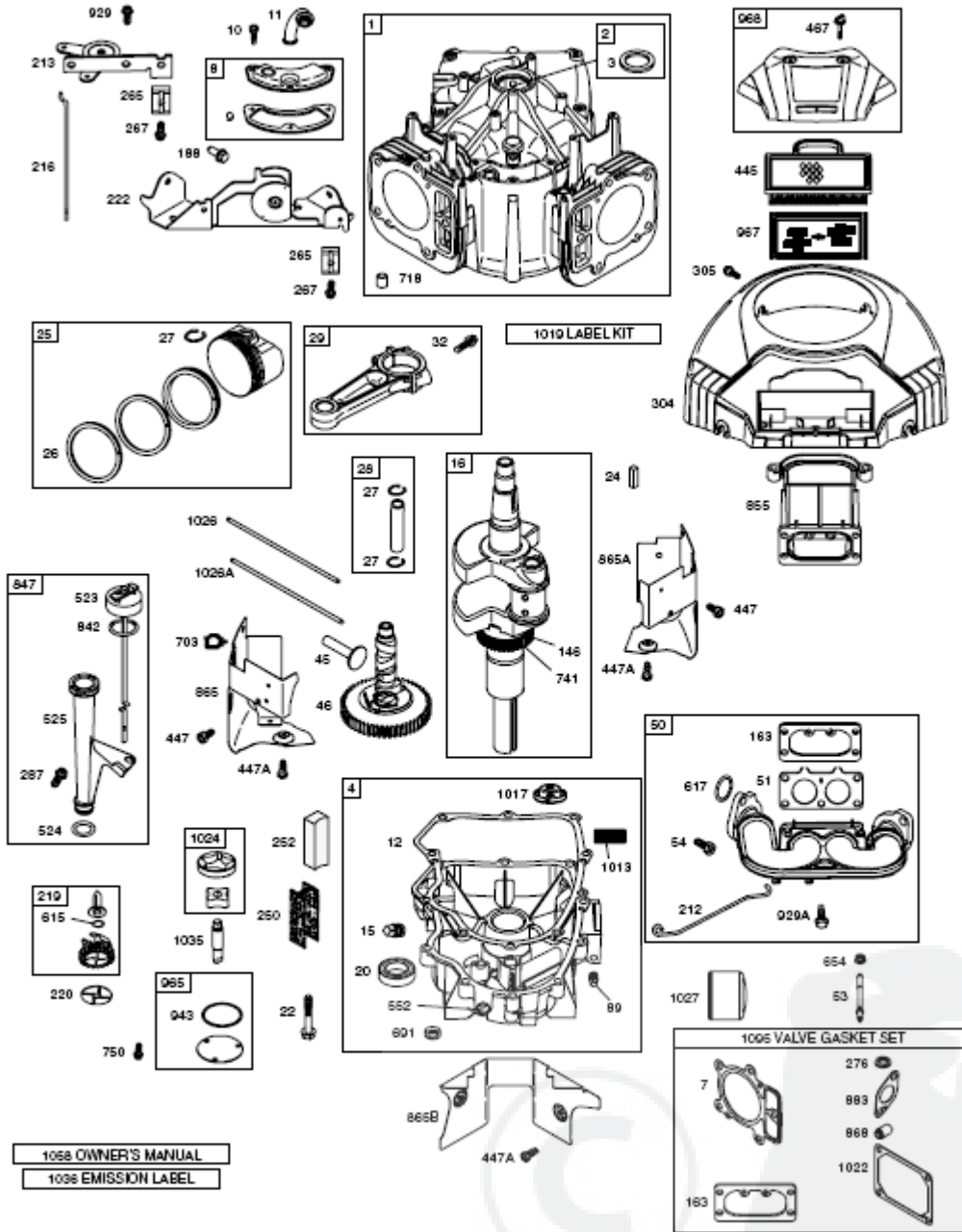
**TRACTOR - - MODEL NUMBER 917.272450  
PEERLESS TRANSAXLE--MODEL NUMBER 206-545C**

<b>KEY PART NO.</b>	<b>PART NO.</b>	<b>DESCRIPTION</b>	<b>KEY PART NO.</b>	<b>PART NO.</b>	<b>DESCRIPTION</b>
1	772147	Transaxle Cover	39	786026	Dowel Pin
2	780086A	Needle Bearing 5/8"	40	792076A	Flat Washer .312 ID x .059W
3	770128	Transaxle Case	41A	790079	Brake Lever
4	776395	Countershaft	42	792073A	Screw 1/4 - 20 x 1-1/4"
5	776409	Output Shaft	42A	792085A	Screw 1/4 - 20 x 2 1/4"
6	778364	Spur Gear (38 teeth)	43	792075	Locknut 5 / 16 - 24
6A	778369	Spur Gear (15 teeth)	44	790025	Brake Pad Holder
7	778330	Spur Gear (11 teeth)	45	786066	Spacer .2625 x 1.0
8	792180	Shift Key	46	786086	Brake Lever Bracket
8A	792047	Woodruff Key #9	47	774690	Axle (11-15 / 16" Long)
9	784352	Shift Collar	48	774691	Axle (16 - 1 / 2" long)
10	784378	Shift Rod & Fork	49	778356	Spur Gear (29 teeth)
11	778334	Bevel Gear (30 teeth)	50	778338	Spur Gear (27 teeth)
12	778309	Input Bevel Pinion (13 teeth)	51	778354	Spur Gear (23 teeth)
13	778368	Bevel Gear (13 teeth) (Include. 14)	52	778352	Spur Gear (19 teeth)
14	778368	Bevel Pinion (13 teeth) (Include. 13)	53	778350	Spur Gear (16 teeth)
15	778370	Ring Gear (43 teeth)	54	778346	Spur Gear (15 teeth)
17	786188	Drive Pin	56	778355	Spur Gear (11 teeth)
18	786102	Spacer 1.130 X .695	57	778337	Spur Gear (13 teeth)
20	792077A	Ball 5/16" dia	58	778353	Spur Gear (17 teeth)
21	792078	Set Screw 3/8 - 16 x 3/8"	59	778351	Spur Gear (21 teeth)
22	792079	Spring .310 OD x .625 L	60	778349	Spur Gear (24 teeth)
25	792073A	Screw 1/4 - 20 x 1-1/4"	61	778345	Spur Gear (25 teeth)
25A	792177	Screw 1/4-20 x 1-3/8"	65	780189	Flat Washer .563 ID x .062W
26	792125	Retaining Ring (pkg of 2)	66	776422	Input Shaft
27	792035	Retaining Ring	67	776396	Shifter & Brake Shaft
28	788040	Retaining Ring	69	792170	Retaining Ring
29	780072	Thrust Washer .627 ID x .031W	70	786187	Spacer .890
29A	780160	Thrust Washer .762 ID x .031W	71	788069	Square Cut Ring
29B	780051	Thrust Washer .762 ID x .031W	71B	788092	"O" Ring
29C	780199	Anti-Rotation Washer .632	76	780090	Flat Washer 1.128 ID x .058W
30	780108	Cup Washer 1.127 ID x .032W	77	788078A	Inverted Retaining Ring
31	780001	Flat Washer .750 ID x .056W (Use As Needed)	79	792144	Spring .430 OD x .5000 L
31A	780195	Flat Washer .750 ID x .062W	82	778333	Bevel & Spur Gear (30 & 13 teeth)
32	788083	Oil Seal 5/8"	83	778338	Spur Gear (27 teeth)
34	780194	Bushing .563	85	792154	Oil Fill Plug
35	780193	Flanged Bushing 5 / 8" ID	87	788089A	Oil Seal 9 / 16"
35A	780197	Flanged Bushing .751	150	788093A	Liquid Gasket RTV Silicone
36	790075	Brake Disk	157	788088A	Oil Seal 3 / 4"
37	790007	Brake Pad Plate	180	730229A	Gear Oil 80W90
38	799021	Brake Pad (pkg of 2)	900	794712	Replacement MST 206-545C Transaxle

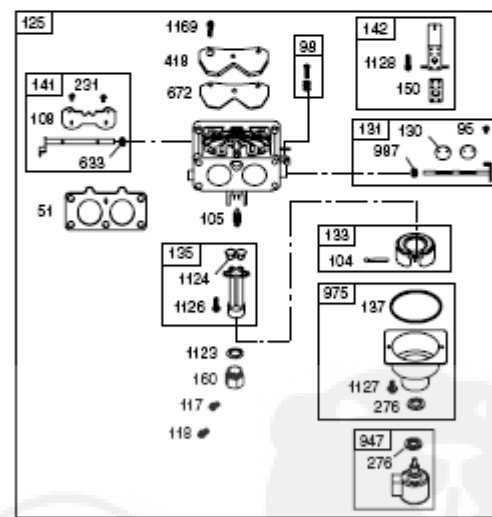
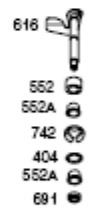
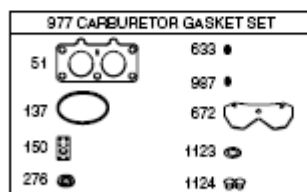
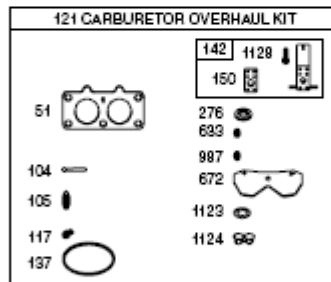
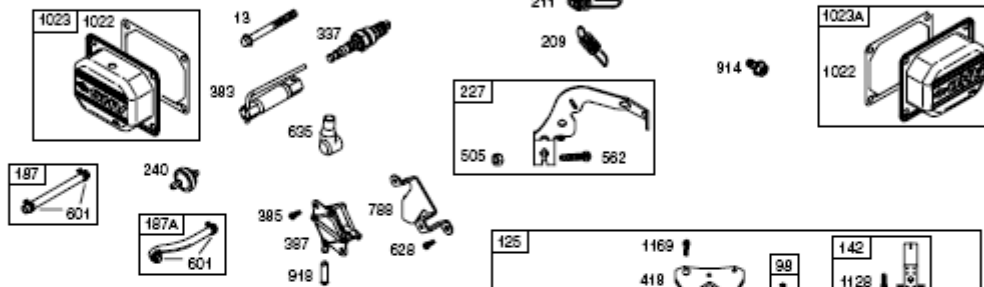
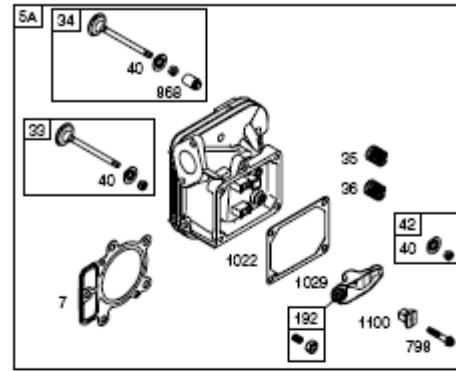
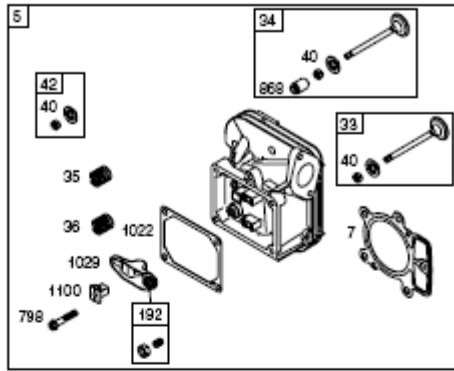
**NOTE:** All component dimensions given in  
U.S. inches 1 inch = 25.4 mm



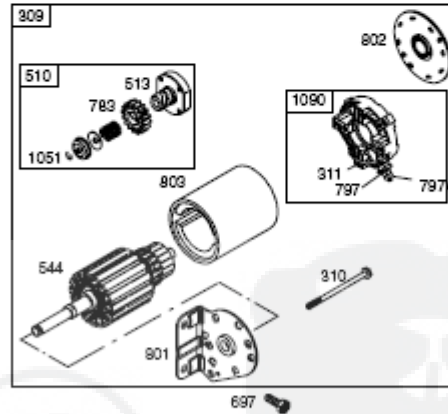
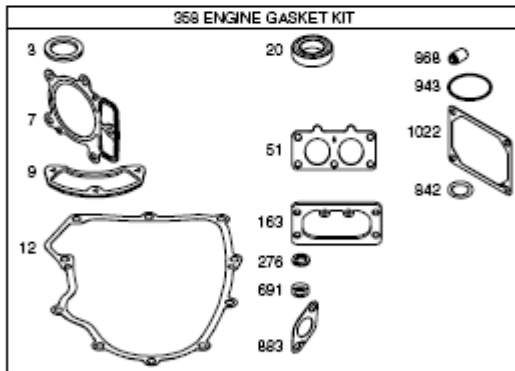
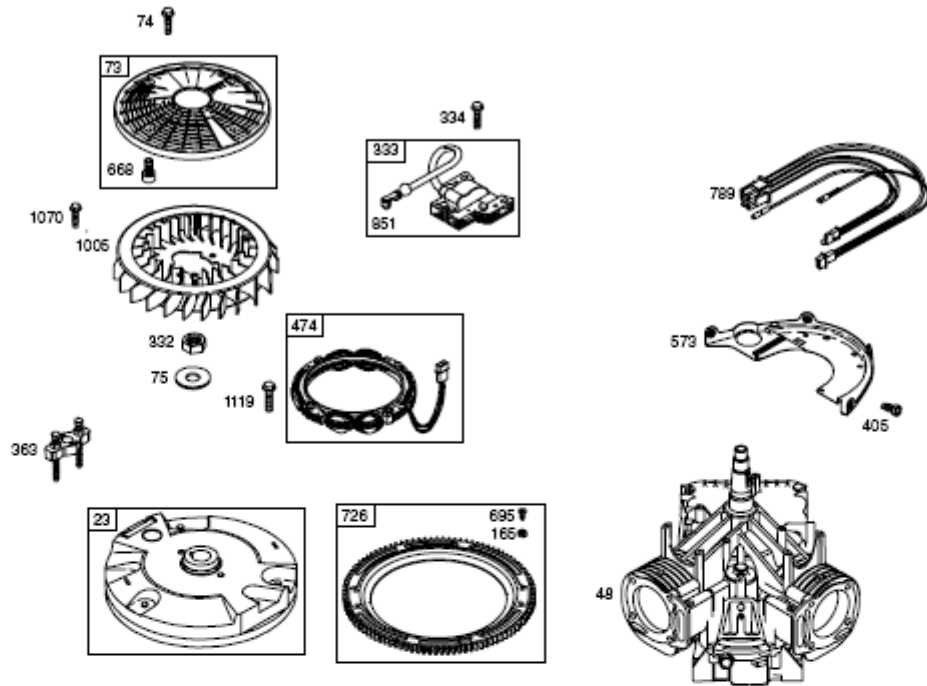
**TRACTOR -- MODEL NUMBER 917.272450**  
**BRIGGS & STRATTON ENGINE-MODEL NUMBER 407777, TYPE NUMBER 0174-E1**



**TRACTOR - - MODEL NUMBER 917.272450**  
**BRIGGS & STRATTON ENGINE-MODEL NUMBER 407777, TYPE NUMBER 0174-E1**



**TRACTOR -- MODEL NUMBER 917.272450**  
**BRIGGS & STRATTON ENGINE-MODEL NUMBER 407777, TYPE NUMBER 0174-E1**



**TRACTOR -- MODEL NUMBER 917.272450**  
**BRIGGS & STRATTON ENGINE-MODEL NUMBER 407777, TYPE NUMBER 0174-E1**

KEY NO.	PART NO.	DESCRIPTION	KEY NO.	PART NO.	DESCRIPTION
1	690231	Cylinder Assembly	125	499804	Carburetor
2	499585	Kit-Bushing/Seal (Magneto Side)	130	690993	Valve-Throttle
3	391086	• Seal-Oil (Magneto Side)	131	499805	Kit-Throttle Shaft
4	690069	Sump-Engine	133	499806	Float-Carburetor
5	693998	Head-Cylinder (Cylinder 1)	135	499803	Tube-Fuel Transfer
5A	693999	Head-Cylinder (Cylinder 2)	137	690994	Ø‡ Gasket-Float Bowl
7	690962	*+ Gasket-Cylinder Head	141	499807	Kit-Choke Shaft
8	499601	Breather Assembly	142	499808	Ø Nozzle-Carburetor
9	690937	• Gasket-Breather	146	690979	Key-Timing
10	690960	Screw (Breather Assembly)	150	690995	Ø‡ Gasket-Nozzle
11	690942	Tube-Breather	160	690996	Retainer-Solenoid
12	697227	• Gasket-Crankcase	163	691001	*+ Gasket-Air Cleaner
13	690360	Screw (Cylinder Head)	165	693148	Nut (Ring Gear)
15	690946	Plug-Oil Drain	187	691050	Line-Fuel (Cut to Required Length)
16	691046	Crankshaft	187A	691049	Line-Fuel (Molded)
20	690947	• Seal-Oil (PTO Side)	188	690960	Screw (Control Bracket)
22	694966	Screw (Engine Sump)	192	690083	Adjuster-Rocker Arm
23	691054	Flywheel	209	697674	Spring-Governor
24	222698	Key-Flywheel	211	691019	Spring-Governed Idle
25	499588	Piston Assembly (Standard)	212	695238	Link-Throttle
25	499589	Piston Assembly (.010" Oversize)	213	691021	Bracket-Choke Control
25	499590	Piston Assembly (.020" Oversize)	216	691022	Link-Choke
25	499591	Piston Assembly (.030" Oversize)	219	696376	Gear-Governor
26	499604	Ring Set-Piston (Standard)	220	690412	Washer (Governor Lever)
26	499605	Ring Set-Piston (.010" Oversize)	222	691023	Bracket-Control
26	499606	Ring Set-Piston (.020" Oversize)	227	691048	Lever-Governor Control
26	499607	Ring Set-Piston (.030" Oversize)	231	690718	Screw (Choke Valve)
27	690975	Lock-Piston Pin	240	691035	Filter-Fuel
28	690229	Pin-Piston	250	690957	Retainer-Breather
29	499583	Rod-Connecting	252	690956	Collector-Oil
32	690976	Screw (Connecting Rod)	265	691024	Clamp-Casing
33	499596	Valve-Exhaust	267	695134	Screw (Casing Clamp)
34	499597	Valve-Intake	276	690997•Ø+	Washer-Sealing
35	690963	Spring-Valve (Intake)	287	690960	Screw (Dipstick Tube)
36	690963	Spring-Valve (Exhaust)	304	695277	Housing-Blower
40	690964	Retainer-Valve	305	691005	Screw (Blower Housing)
42	499586	Keeper-Valve	309	691262	Motor-Starter
45	690977	Tappet-Valve	310	691263	Bolt-Starter Motor
46	690978	Camshaft	311	497608	Brush Set
48	692714	Short Block (446777-0027-E2 Replacement Engine)	332	691059	Nut (Flywheel)
50	695241	Manifold-Intake	333	691060	Armature-Magneto
51	690950• Ø‡	Gasket-Intake	334	691061	Screw (Magneto Armature)
53	690951	Stud (Carburetor)	337	691043	Spark Plug
54	695240	Screw (Intake Manifold)	358	694012	Set-Engine Gasket
73	691055	Screen-Rotating	363	691062	Flywheel Puller
74	691057	Screw (Rotating Screen)	383	690966	Wrench-Spark Plug
75	691056	Washer (Flywheel)	385	690960	Screw (Fuel Pump)
89	690283	Plug-Oil			
95	690718	Screw (Throttle Valve)			
98	499802	Kit-Idle Speed			
104	690984	Ø Pin-Float Hinge			
105	690985	Ø Valve-Float Needle			
108	690986	Valve-Choke			
117	690232	Ø Jet-Main (Standard)			
118	690989	Jet-Main (High Altitude)			
121	499811	Kit-Carburetor Overhaul			

RPM Settings: Low Speed: 1900-2100  
High Speed: 3000-3200

• Included in Engine Gasket Set, Key. No. 358

Ø Included in Carburetor Overhaul Kit, Key. No. 121

‡ Included in Carburetor Gasket Set, Key. No. 977

+ Included in Valve Gasket Set, Key. No. 1095

NOTE: All component dimensions given in U.S. inches 1 inch

**TRACTOR -- MODEL NUMBER 917.272450**  
**BRIGGS & STRATTON ENGINE-MODEL NUMBER 407777, TYPE NUMBER 0174-E1**

KEY NO.	PART NO.	DESCRIPTION	KEY NO.	PART NO.	DESCRIPTION
387	808656	Pump-Fuel	865	691012	Cover-Air Guide
404	690442	Washer (Governor Crank)	865A	691014	Cover-Air Guide
405	690960	Screw (Back Plate)	865B	691015	Cover-Air Guide
418	690999	Plate-Carburetor	868	690968	*+ Seal-Valve
445	499486	Filter-Air Cleaner Cartridge	914	691127	Screw (Rocker Cover)
447	691003	Screw (Air Guide Cover)	918	694000	Hose-Vacuum
447A	690960	Screw (Air Guide Cover)	929	695239	Screw (Choke Control Bracket)
467	691008	Knob-Air Cleaner	929A	691003	Screw (Choke Control Bracket)
474	696459	Alternator	943	690589	* Seal-O Ring (Oil Pump Cover)
505	691029	Nut (Governor Control Lever)	947	499809	Solenoid-Fuel
510	497606	Drive-Starter	965	499613	Cover-Oil Pump
513	692024	Clutch-Drive	967	272638	Filter-Pre Cleaner
523	691036	Dipstick	968	499788	Cover-Air Cleaner
524	691032	* Seal-Dipstick Tube	975	499810	Bowl-Float
525	691037	Tube-Dipstick	977	499812	Gasket Set-Carburetor
544		Armature-Starter (Service with 691262 Starter Motor)	987	691000	Ø‡ Seal-Throttle Shaft
552	690552	Bushing-Governor Crank	1005	499603	Fan-Flywheel
552A	690553	Bushing-Governor Crank	1013	690954	Nipple-Oil Filter
562	690311	Bolt (Governor Control Lever)	1017	690770	Screen-Oil Pump
573	691009	Plate-Back	1019	690103	Kit-Label
601	691038	Clamp-Hose	1022	690971	*+ Gasket-Rocker Cover
615	690317	Retainer-Governor Shaft	1023	499599	Cover-Rocker (Cylinder 1)
616	691045	Crank-Governor	1023A	499600	Cover-Rocker (Cylinder 2)
617	691917	Seal-O Ring (Intake Manifold)	1024	499054	Pump-Oil
628	690960	Screw (Fuel Pump Bracket)	1026	690981	Rod-Push (Steel)
633	690998	Ø‡ Seal-Choke/Throttle Shaft	1026A	690982	Rod-Push (Aluminum)
635	66538	Boot-Sparkplug	1027	492932	Filter-Oil
654	690958	Nut (Carburetor)	1029	690972	Arm-Rocker
668	691215	Spacer	1035	691042	Shaft-Pump
672	690234	Ø‡ Gasket-Carburetor Plate	1036	695704	Label-Emission
691	690657	* Seal-Governor Shaft	1051	691265	Ring-Retaining
695	693149	Screw (Ring Gear)	1058	274794	Owner's Manual
697	690372	Screw (Drive Cap)	1070	691674	Screw (Flywheel Fan)
703	691010	Clip	1090	691293	Retainer-Brush
718	690959	Pin-Locating	1095	694013	Kit-Valve Overhaul
726	499612	Gear-Ring	1100	690973	Pivot-Rocker Arm
741	690980	Gear-Timing	1119	691183	Screw (Alternator)
742	690328	Retainer-E Ring	1123	690987	Ø ‡ Seal-O Ring (Solenoid Retainer)
750	691033	Screw (Oil Pump Cover)	1124	690988	Ø ‡ Seal-O Ring (Fuel Transfer Tube)
783	693058	Gear-Pinion	1126	690991	Screw (Fuel Transfer Tube)
788	691039	Bracket-Fuel Pump	1127	690992	Screw (Float Bowl)
789	695050	Harness-Wiring	1128	690990	Ø Screw (Carburetor Nozzle)
797	691029	Nut (Brush Retainer)	1169	693140	Screw (Carburetor Cover Plate)
797A	693167	Nut (Brush Retainer)			
798	690967	Screw (Rocker Arm)			
801	691283	Cap-Drive			
802	691286	Cap-End			
803		Housing-Starter (Service with 691262 Starter Motor)			
842	691031	* Seal-Dipstick/Tube			
847	499602	Dipstick/Tube Assembly			
851	493880	Terminal-Sparkplug			
855	691011	Adapter-Air			

RPM Settings: Low Speed: 1900-2100  
High Speed: 3000-3200

- \* Included in Engine Gasket Set, Key. No. 358
- Ø Included in Carburetor Overhaul Kit, Key. No. 121
- ‡ Included in Carburetor Gasket Set, Key. No. 977
- + Included in Valve Gasket Set, Key. No. 1095

**NOTE:** All component dimensions given in U.S. inches 1 inch