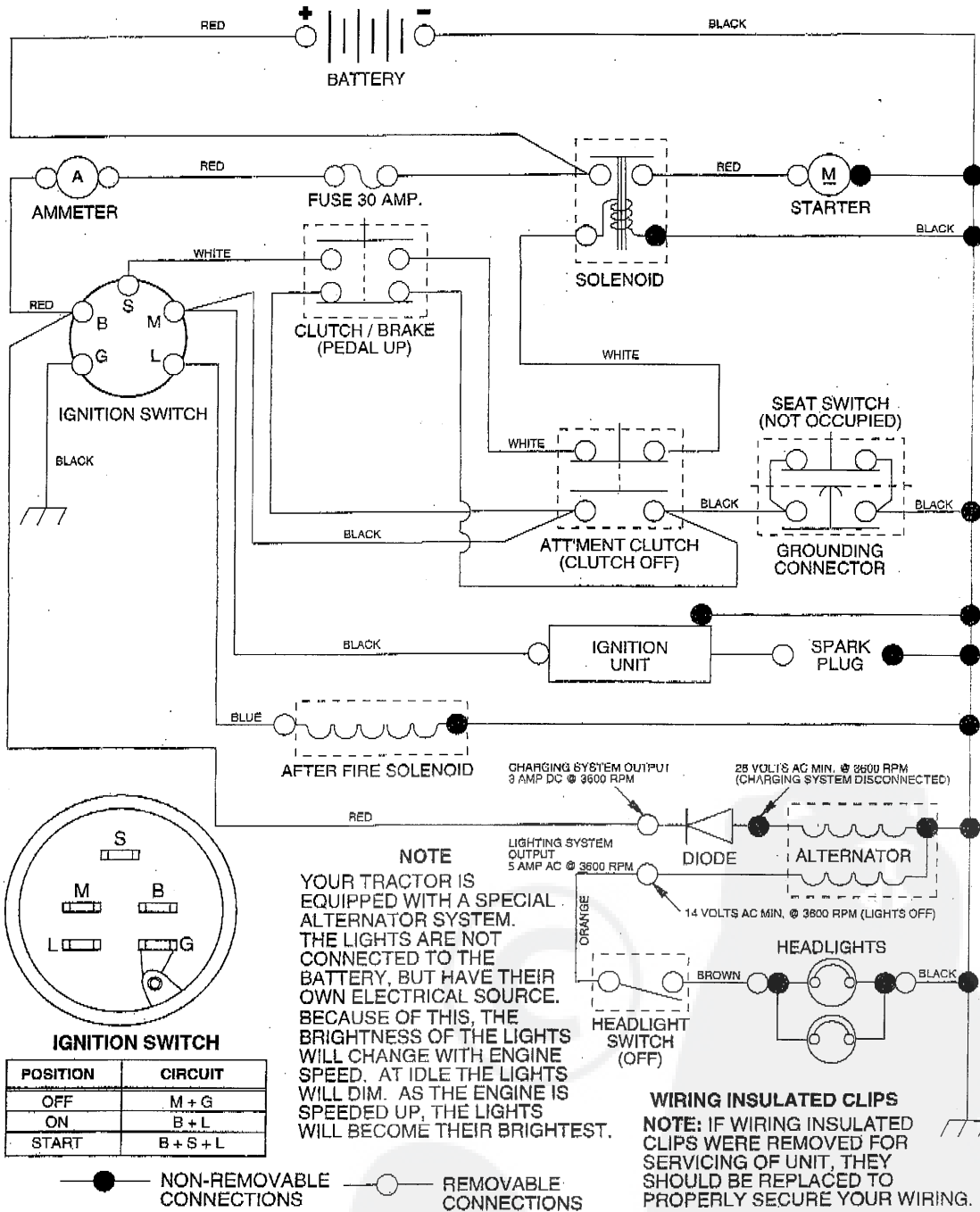


**TRACTOR - - MODEL NUMBER 917.256500**

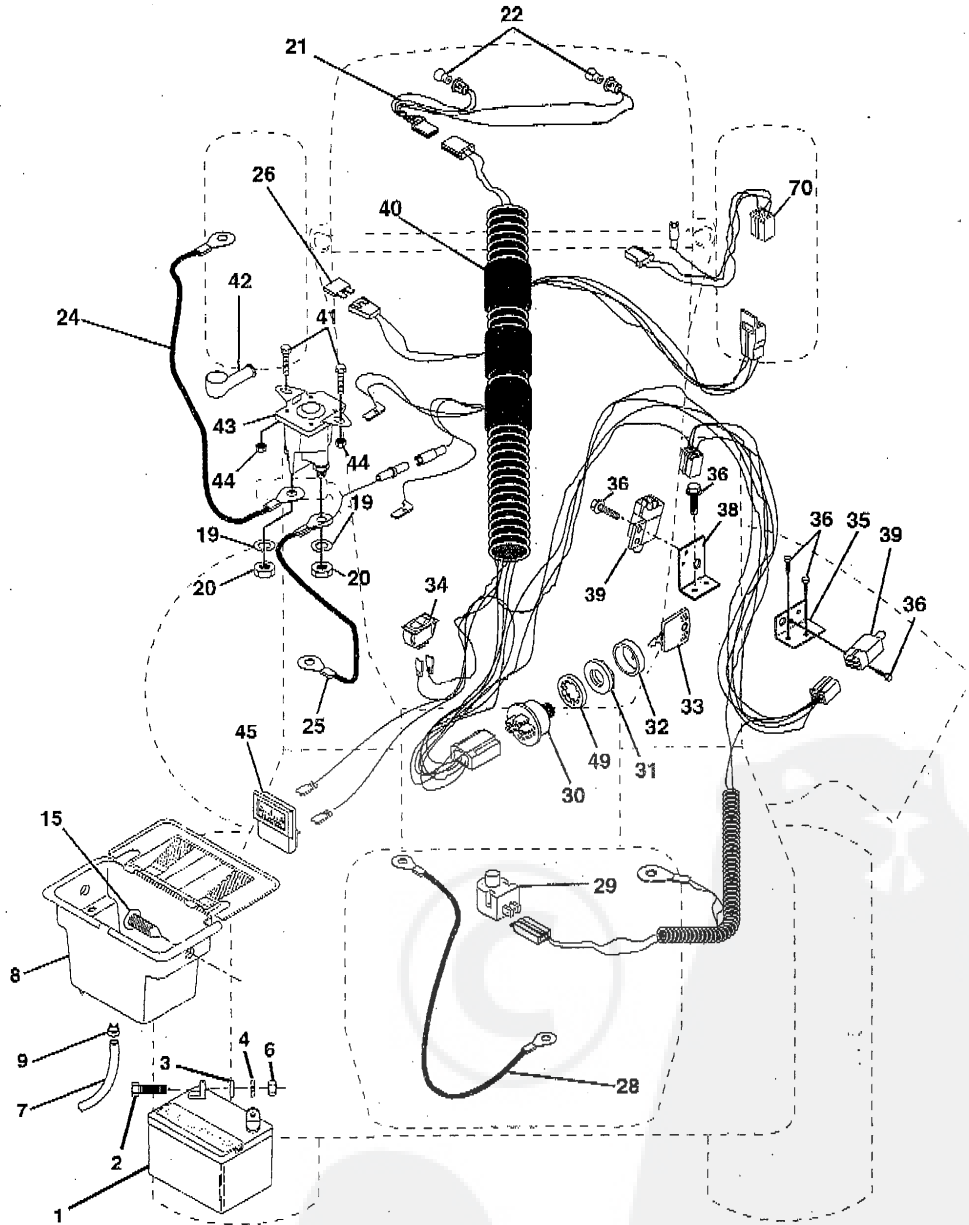
**SCHEMATIC**



# REPAIR PARTS

## TRACTOR -- MODEL NUMBER 917.256500

### ELECTRICAL



**REPAIR PARTS****TRACTOR -- MODEL NUMBER 917.256500****ELECTRICAL**

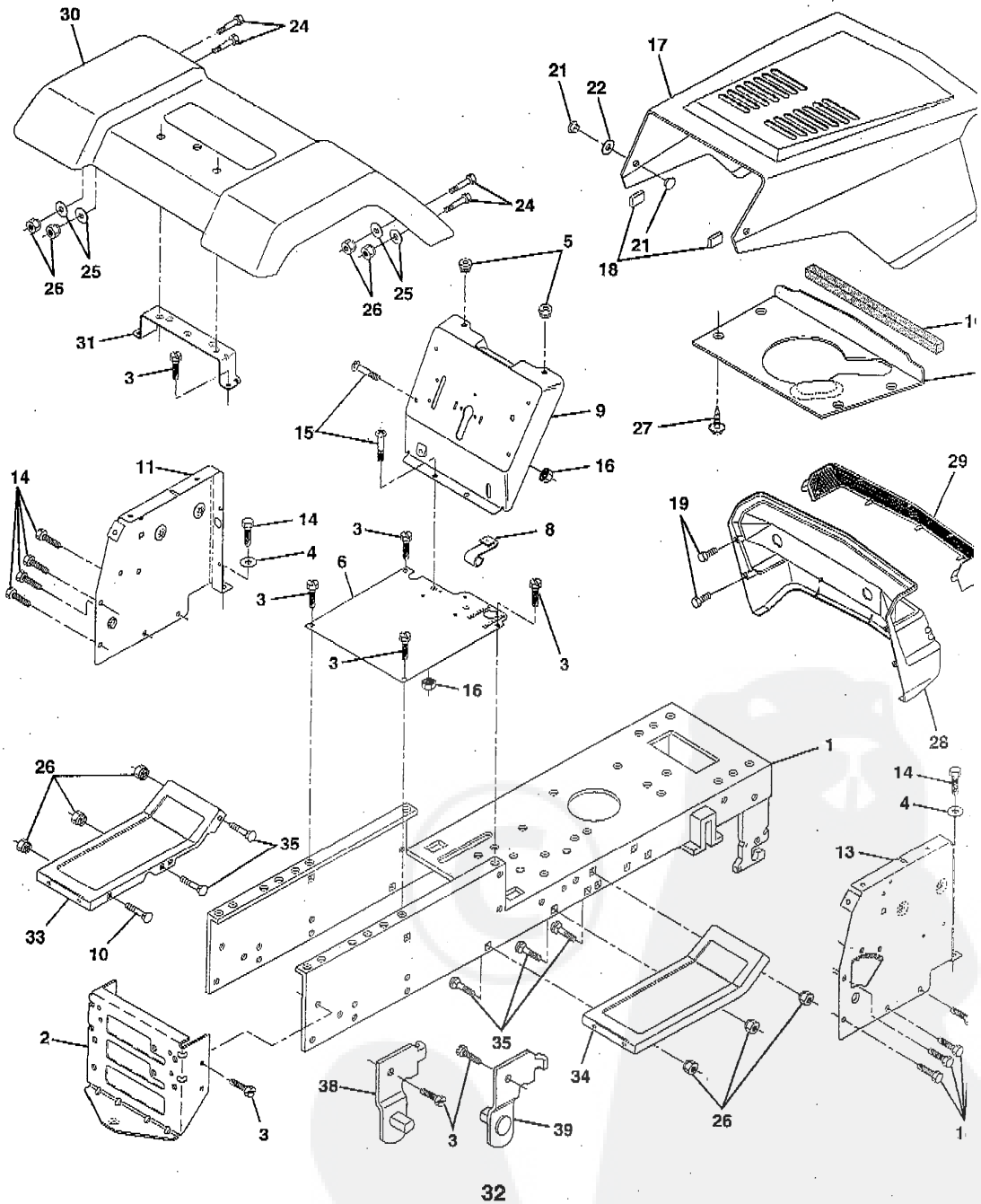
KEY NO.	PART NO.	DESCRIPTION
1	146139	Battery 12 Volt 25 AMP
2	STD523107	Bolt Hex Hd 1/4-20unc X 3/4
3	STD551025	Washer 9/32 X 5/8 X 16 Ga
4	STD551125	Washer Lock Hvy Helical 1/4
6	STD541025	Nut Fin Hex 1/4-20 Unc
7	109238X	Tube Plastic 12"
8	144940	Case Battery
9	109596X	Clamp Hose Olive
15	147688	Fastner Snap-In
19	STD551125	Washer Lock 1/4
20	73350400	Nut Jam Hex 1/4-20 Unc
21	136850	Harness Socket Light W/4152J
22	4152J	Bulb Light #1156
24	4799J	Cable Battery 6ga 11" red
25	146147	Cable Battery 6 Ga W/16 Wir red
26	108824X	Fuse 30 AMP Auto Green
28	4207J	Cable Ground 6ga 12" black
29	121305X	Switch Plunger Nc Gray
30	144921	Switch Ign 3 pos
31	140400	Nut Ignition
32	141226	Cover Sw Ignition
33	140403	Key Ign Molded Craftsman, Delta
34	110712X	Switch Light Blk Blk Red
35	108236X	Bracket Switch Clutch
36	STD601005	Screw Tap Hex #10-24unc X 1/2
38	140336	Bracket Switch Interlock
39	109553X	Switch Intlk Cl MWR Gry 4 Term
40	146057	Harness Ign-Dash LT 1 PC Mech 95
41	71110408	Bolt Blk Hex 1/4-20unc x 1/2
42	131563	Cover Terminal Red
43	145673	Solenoid
44	73640400	Nut Keps Blk Hex 1/4-20 Unc
45	121433X	Ammeter Rectangular 6 AMP
49	STD551262	Washer Lock Internal Tooth 5/8
70	140413	Harness Engine, B&S/Tec, Dual

**NOTE:** All component dimensions given in U.S. inches  
1 inch = 25.4 mm

# REPAIR PARTS

## TRACTOR -- MODEL NUMBER 917.256500

### CHASSIS AND ENCLOSURES



**REPAIR PARTS****TRACTOR -- MODEL NUMBER 917.256500****CHASSIS AND ENCLOSURES**

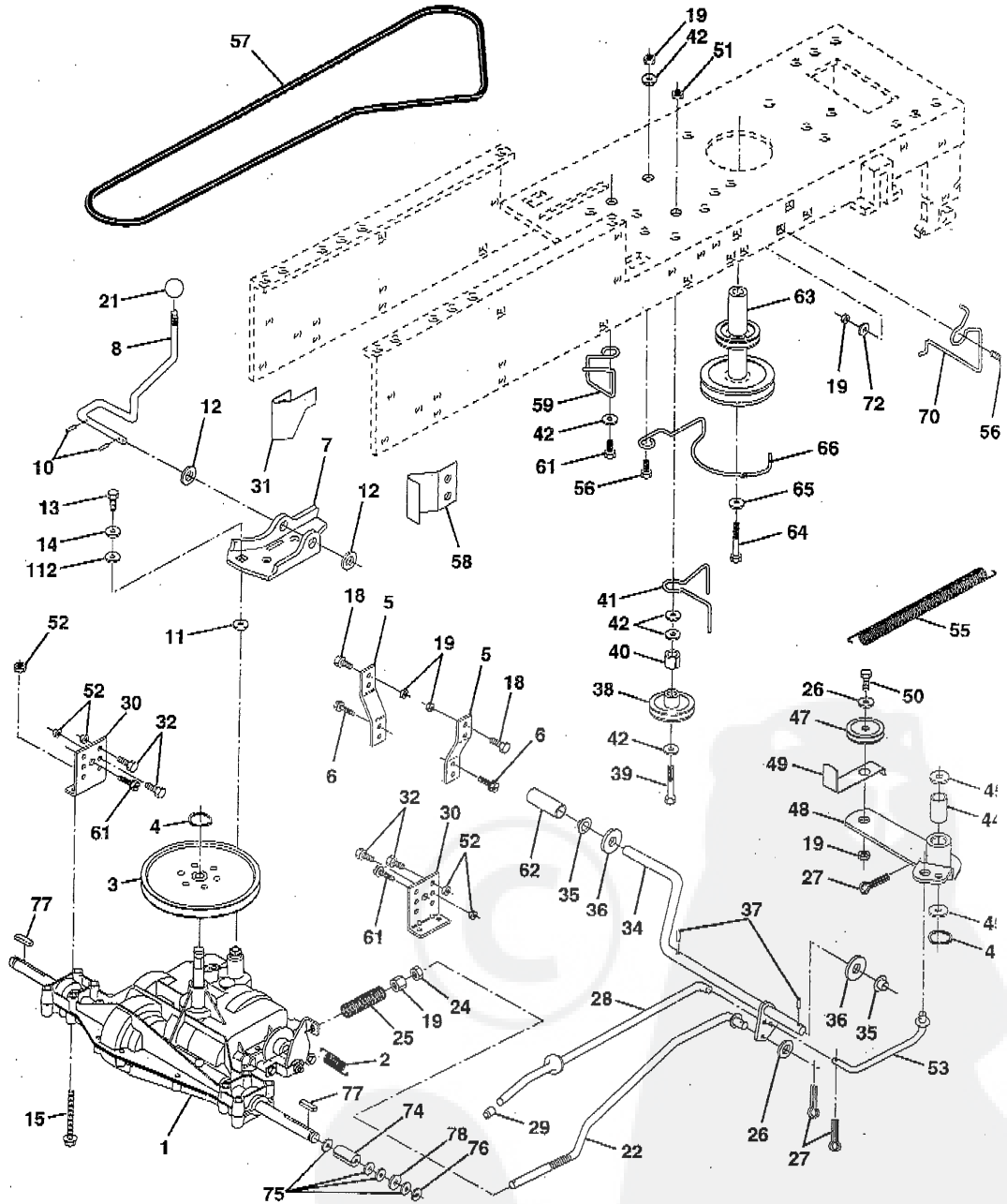
KEY NO.	PART NO.	DESCRIPTION
1	145501	Chassis Wldmt 11ga 1995
2	140356	Drawbar Stretch
3	17490612	Screw Thdrol 3/8-16 x 3/4 Ty-tt
4	STD551025	Washer 13/32 X 3/4 X 16 Ga
5	146077	Bumper Snap-In
6	145208X016	Saddle Slkscr Flt Scl 65 D4360
7	126842X	Shield Ht. Hood Kohl/Dia Engine
8	126471X	Clip Insulator 406 Mtg Hole
9	146760X011	Dash Slkscr 1-pc
10	STD533710	Bolt Rdhd Sqnk 3/8-16unc X 1
11	146956	Panel Dash LH
13	146961X012	Panel Slkscr Dash RH
14	17490608	Screw Thdrol 3/8-16 x 1/2 Ty-tt
15	74180512	Screw Mach TRHD 5/16-18 unc x 3/4
16	STD541431	Nut Keps 5/16-18 Unc
17	131445X574	Hood Asm Pnt Slope Weld Ms-459
18	126938X	Bumper Hood
19	17030814	Screw Sltd Hex Hd W/Pl Washer
21	122933X	Rivet Ratchet Nylon
22	124479X	Washer Nylon Blk 28 x 75 x 19
24	STD523710	Bolt Fin Hex 3/8-16 unc x 1 Gr. 5
25	19131312	Washer 13/32 X 13/16 x 12 Ga
26	STD541437	Nut Hex Lock W/Ins. 3/8-16 Unc
27	17030814	Screw Spiderloc Hex Hd #8 x 7/8
28	140137	Grille Grey
29	124029X	Lens Headlight Bar Clear
30	109872X574	Fender Pnt LT W/o Shift
31	136619	Bracket Fender Repl 109873x
33	145244X574	Footrest Pnt Lh
34	145243X574	Footrest Pnt Rh
35	STD533707	Bolt Rdhd Sht Sqnk 3/8-16 x 3/4
38	139886	Bracket Asm Pvt LH MWR Rear
39	139887	Bracket Asm Pvt RH MWR Rear
100	105037X	Strip Foam 18"
--	5479J	Plug Button Blk 359 Dia Choke

**NOTE:** All component dimensions given in U.S. inches  
1 inch = 25.4 mm

# REPAIR PARTS

## TRACTOR -- MODEL NUMBER 917.256500

### DRIVE



**REPAIR PARTS****TRACTOR - - MODEL NUMBER 917.256500****DRIVE**

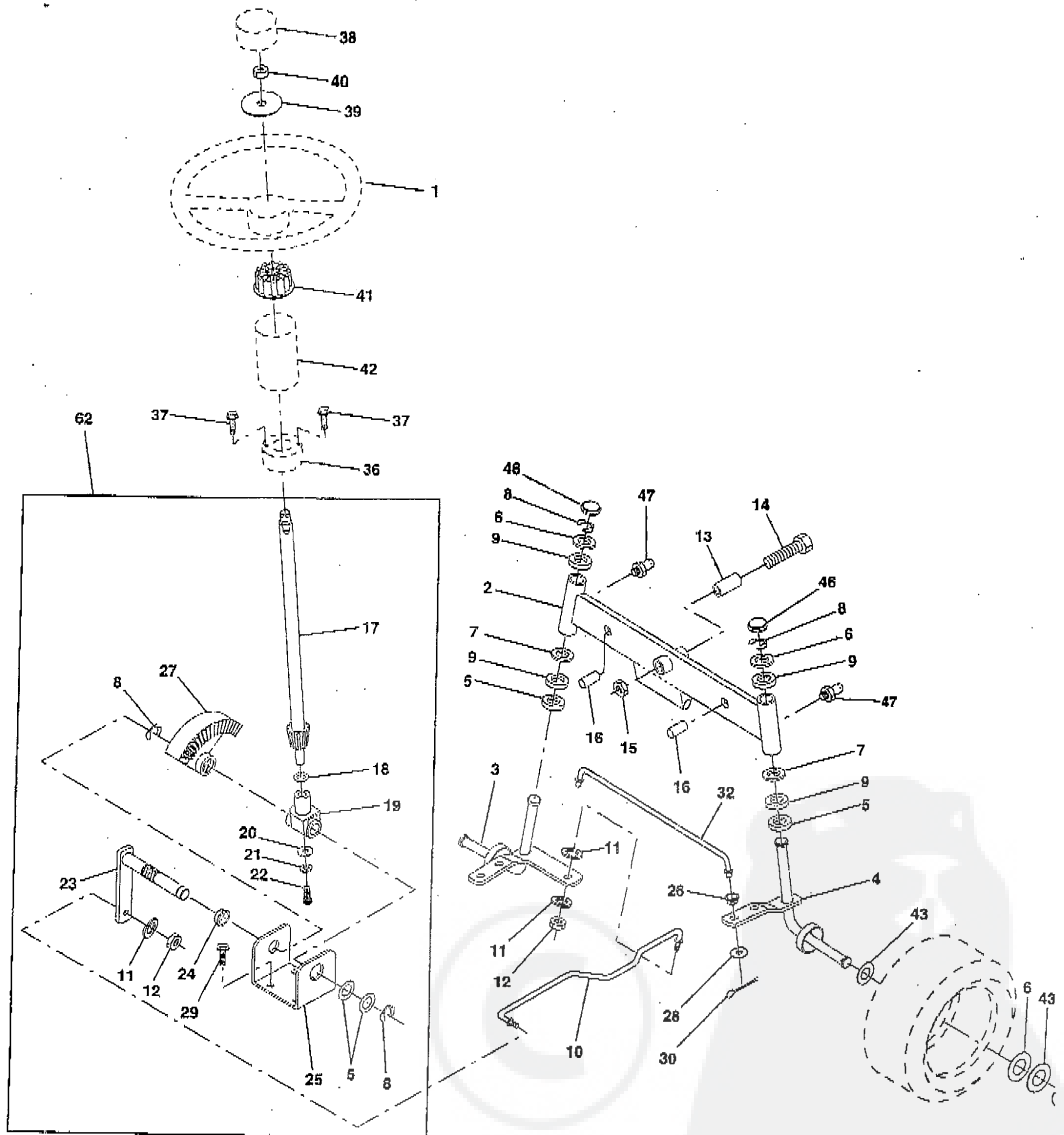
KEY NO.	PART NO.	DESCRIPTION	KEY NO.	PART NO.	DESCRIPTION
1	142603	Transaxle 6sp Std D4360-79	41	109070X	Keeper Belt Retainer
2	146682	Spring Return Brake T/a Zinc	42	19131312	Washer 13/32 X 13/16 X 12 Ga
3	123666X	Pulley Transaxle 18/20" tires	44	105706X	Bearing Nyl 503 X 628 X 1 25
4	12000028	Ring Retainer # 5100-62	45	110812X	Washer Hardened
5	121520X	Strap Torque 30 Degrees	46	12000039	Ring Klip #5304-50
6	17490512	Screw Thdrol 5/16-18 X 3/4 TYT	47	127783	Pulley Idler V Groove Plastic
7	130802	Bracket Saddle Shift T/a	48	123789X	Bellcrank Asm Clutch
8	131679	Rod Shf Sdl LY/YT Str Blk Zinc	49	123205X	Retainer Belt Style Spring
10	STD561210	Pin Cotter 1/8 X 1 Cad	50	STD523715	Bolt Hex Hd 3/8-16unc X 1-1/2
11	105701X	Washer Plate Shf 388 Sq Hole	51	STD541237	Nut Crownlock 3/8-16 UNC
12	19151216	Washer 15/32 X 3/4 X 16ga	52	STD541431	Nut Crown Lock 5/16-18
13	74550412	Bolt 1/4-28unf Gr8 W/Patch	53	105710X	Link Clutch 7 66
14	STD551125	Washer Lock Hvy Helical 1/4	55	105709X	Spring Return Clutch 6 75
15	74490544	Bolt Hex FLGHD5/16-18Gr.5	56	STD523712	Bolt Fin Hex 3/8-16 unc x 1-1/4
18	STD523710	Bolt Fin Hex 3/8-16unc X 1 Gr. 5	57	130801	V-Belt Gd Drive 95 25
19	STD541437	Nut Lock Hex W/Ins. 3/8-16 Unc	58	127274X	Keeper Belt RH LT Pnt/zinc 16g
21	106933X	Knob Rd 1/2-13 Plstc Thds Blk	59	140312	Keeper Belt Centerspan
22	130804	Rod Brake Blk Zinc 26 840	61	17490612	Screw Thdrol 3/8-16x3/4 Ty-tt
24	STD541237	Nut Hex Jam 3/8-16 Unc	62	8883R	Cover Pedal Blk Round
25	106888X	Spring Rod Brake 2 00 Zinc	63	140186	Pulley Eng Cl Mech 38deg LT/YT
26	STD551037	Washer 13/32 X 13/16 X 16 Ga	64	71170764	Bolt Hex 7/16-20x4 Gr 5
27	STD561210	Pin Cotter 1/8 X 3/4 Cad	65	STD551143	Washer Lock Hvy Hlcl Spr 7/16
28	145204	Rod Brake Parking Li/Yt	66	129921	Keeper Belt Engine LH LT
29	124236X	Cap Brake Parking Red	70	134683	Guide Belt Mower Drive RH
30	130807	Bracket Mtg Transaxle	72	19132012	Washer 13/32 X 1-1/4 X 12 Ga
31	127275X	Keeper Belt LH LT 14 Ga	74	109502X	Spacer Split 80x1 94 Cad/zinc
32	STD523107	Bolt Hex Hd 5/16-18unc X 3/4	75	121749X	Washer 25/32 X 1 1/4 X 16 Ga
34	149001	Shaft Asm Pedal Foot	76	STD581075	E-ring #5133-75
35	120183X	Bearing Nylon Blk 629 Id	77	123583X	Key Square 2 0 X 1845/ 1865
36	STD551062	Washer 21/32 X 1 X 16 Ga	78	121748X	Washer 25/32 X 1-5/8 X 16ga
37	1572H	Pin Roll 3/16 X 1"	112	19091210	Washer 9/32 X 3/4 X 10 Ga
38	123674X	Pulley Idler Flat			
39	STD523727	Bolt Fin Hex 3/8-16unc X 2-3/4			
40	4470J	Spacer Split 395 X 59 Bzp			

**NOTE:** All component dimensions given in U.S. inches.  
1 inch = 25.4 mm

# REPAIR PARTS

## TRACTOR -- MODEL NUMBER 917.256500

### STEERING ASSEMBLY





**REPAIR PARTS****TRACTOR - - MODEL NUMBER 917.256500****STEERING ASSEMBLY**

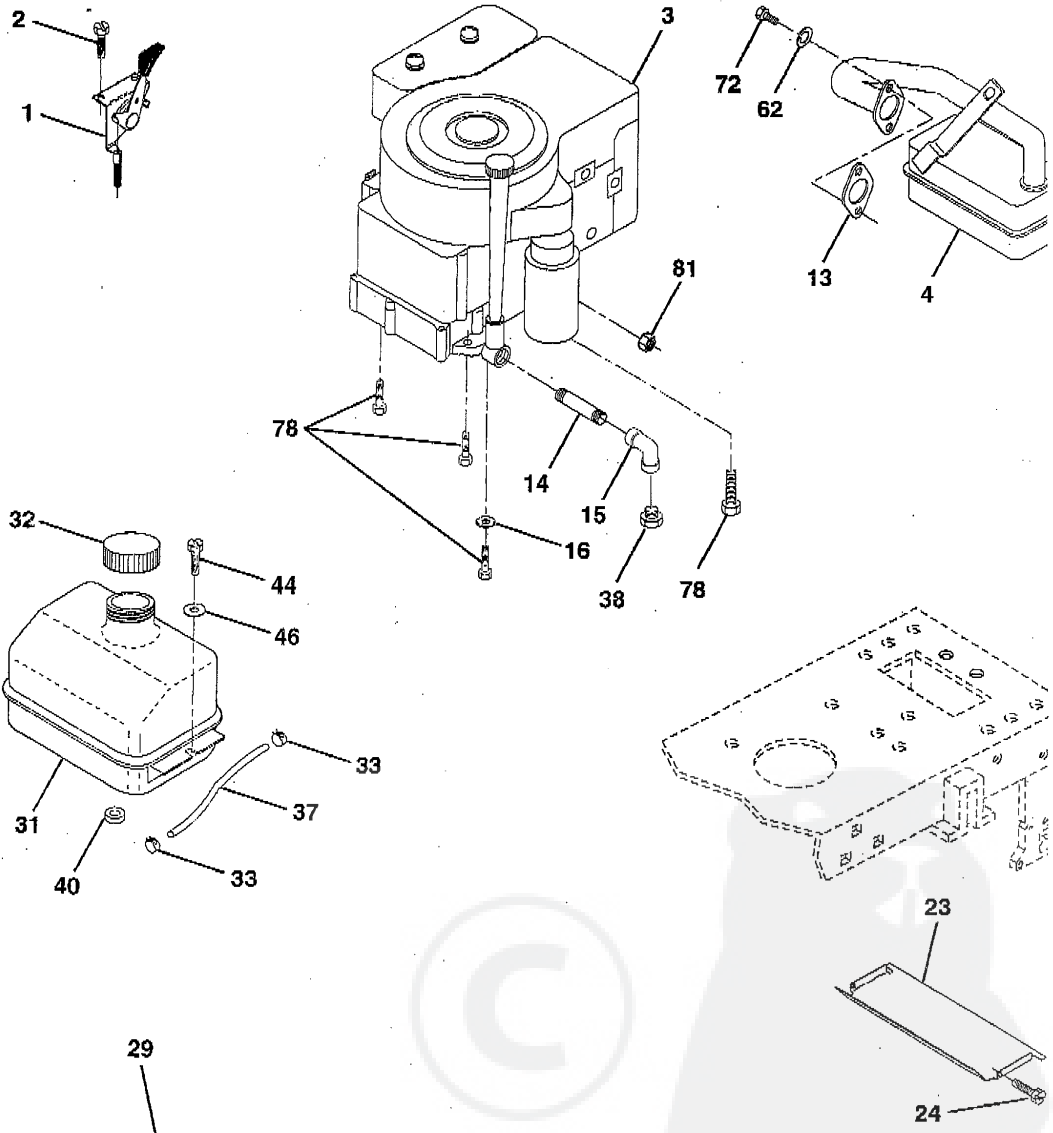
KEY NO.	PART NO.	DESCRIPTION
1	139768	Wheel Steering Opp Sears Blk
2	142033	Axle Asm Front Lt
3	135227	Spindle Asm Lh
4	135228	Spindle Asm Rh
5	6266H	Washer Thrust .76 x 1.230
6	121748X	Washer 25/32 x 1-5/8 x 16 Ga.
7	19272016	Washer 27/32 x 1-1/4 x 16 Ga.
8	12000029	RingKlip #T5304-75
9	3366R	Bearing Col Strg Blk
10	130468	Link Drag Sol Ball Jt 20.064
11	STD551137	Washer Lock Hvy Hlcl Spr 3/8
12	73610600	Nut Fin Hex 3/8-24 Unf
13	110438X	Spacer Bearing Axle Front
14	74011056	Bolt, Hex 5/8-11 UNC x 3-1/2
15	73901000	Locknut Flange 5/8-11 UNC
16	132624	Pin Axle 5/8 x 1.55/1.54 Lg
17	132614	Shaft Asm Strg 5/8 x 15.19 Lt
18	57079	Washer Thrust .515 x .750 x .033
19	124035X	Support Shaft
20	126684X	Washer Shim 1/4 x 5/8 x .062
21	STD551125	Washer Lock Hvy Helical 1/4
22	71070410	Screw Hex Socket 1/4-20 x 5/8
23	127501	Shaft Asm Pitman
24	109816X	Nyliner Snap In
25	124036X	Bracket Steering
26	126847X	Bushing Link Drag Blk LR
27	136874	Gear Sector 22 Teeth
28	19131416	Washer 13/32 x 7/8 x 16 Ga.
29	17490612	Screw Thdrol 3/8-16 x 3/4 TY-TT
30	STD561210	Pin Cotter 1/8 x 3/4 Cad
32	130465	Rod Tie Wire Form 19.75 Mech
36	132196	Bushing Strg. 5/8 ID Dash
37	17431008	Screw Slftp #10-16 x 1/2 Ty-B
38	139769	Cap Wheel Steer Opp Sears Blk
39	19133808	Washer 13/32 x 2-3/8 x 8 Ga.
40	STD541537	Locknut Center 3/8-24 Unf
41	104820X	Adaptor Wheel Strg. .640/.635 Id
42	124417X	Boot Shaft Steering Craftsman
43	121749X	Washer 25/32 x 1-1/4 x 16 Ga.
46	121232X	Cap Spindle Fr Top Blk
47	6855M	Fitting Grease
62	149684	Steering Assembly

**NOTE:** All component dimensions given in U.S. inches  
1 inch = 25.4 mm

**REPAIR PARTS**

**TRACTOR -- MODEL NUMBER 917.256500**

**ENGINE**

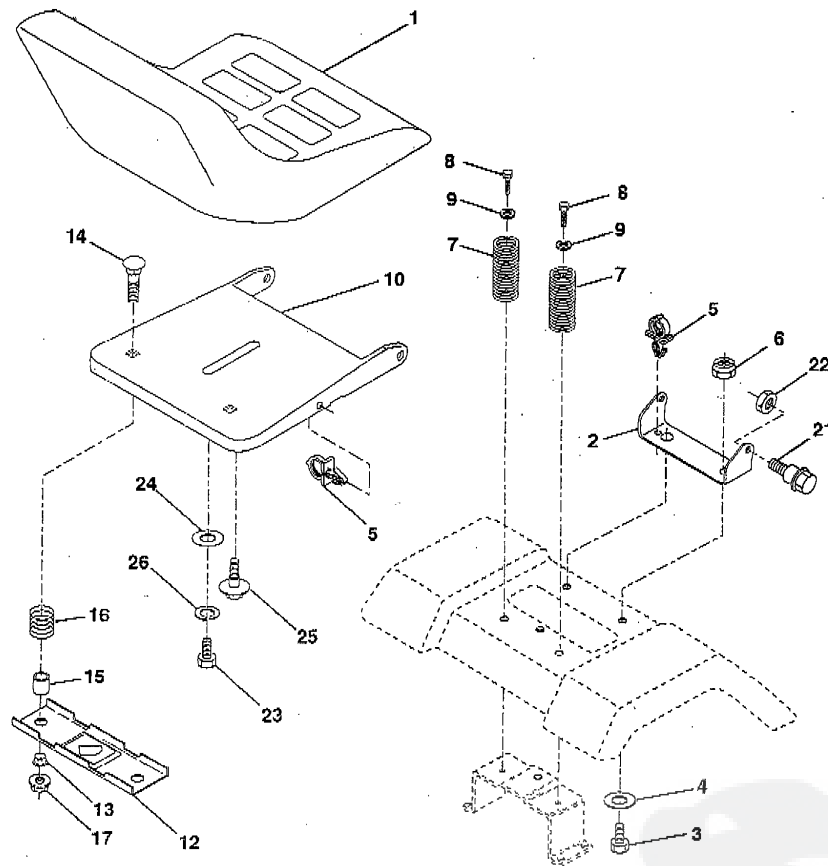


**OPTIONAL EQUIPMENT**  
**Spark Arrester**

**REPAIR PARTS****TRACTOR -- MODEL NUMBER 917.256500****ENGINE**

KEY NO.	PART NO.	DESCRIPTION
1	132759	Control Th/ch RH Blk Pdl 15 10
2	17720410	Screw Hex Thd Cut 1/4-20x5/8 T
3	150455	Engine B&S 13.5HP IC/GOLD Model No 28R707, Type No.0140-01
4	137348	Muffler LT B&S 12/12 5/13 HP
13	272293	Gasket Eng 1 313 Id Tin Plated
14	13280324	Nipple Pipe 3/8 Npt x 3"
15	13200300	Elbow Std 90 Degree 3/8-18 Npt
16	STD551237	Washer Lock Ext Tooth 3/8
23	128953	Shield Heat Browning LT/YT
24	17021008	Screw Tap Hex #10-24 unc X 1/2
29	137180	Kit Spark Arrestor (Flat Scrm)
31	109202X	Tank Fuel Front 1 25
32	123549X	Cap Asm Fuel W/sym Vented
33	123487X	Clamp Hose Blk
37	137040	Line Fuel 20"
38	-----	Plug Oil Drain (Order From Engine Manufacturer)
40	124028X	Bushing Snap Nyi Blk Fuel Line
44	17490412	Screw Hexwsh Thdrol 1/4-20 x 3/4
46	19091416	Washer 9/32 x 7/8 x 16 ga
62	STD551131	Washer Lock Hvy Hlcl Spr 5/16
72	71070512	Screw Hex Hd Cap 5/16-18 X 3/4
78	17490620	Screw Thdrol 3/8-16x1-1/4 TYTT
81	128861	Nut Flange 1/4-20 Starter Nut

**NOTE:** All component dimensions given in U.S. inches  
1 inch = 25.4 mm

**REPAIR PARTS****TRACTOR -- MODEL NUMBER 917.256500****SEAT ASSEMBLY**

KEY NO.	PART NO.	DESCRIPTION
1	140122	Seat
2	140551	Bracket Pvt St
3	STD523710	Bolt Fin. Hex 3/8-16unc X 1
4	19131610	Washer Flat 13/32 X 1 X 10 Ga
5	145006	Clip Push-In Hinged
6	STD541437	Locknut Hex W/Wsh 3/8-16
7	124181X	Spring Seat Cprsn 2 250 Blk Zi
8	17490616	Screw Thdrol 3/8-16 X 1 Ty-tt
9	19131614	Washer 13/32 X 1 X 14 Ga
10	140552	Pan Seat
12	121246X	Bracket Mounting Switch
13	121248X	Bushing Snap Blk Nyl 50 Id

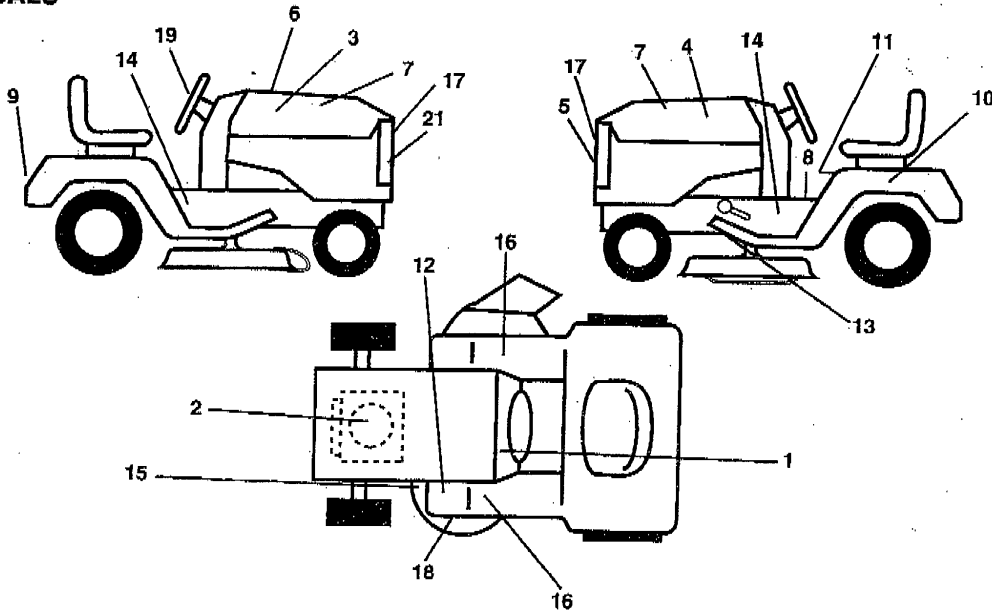
KEY NO.	PART NO.	DESCRIPTION
14	72050411	Bolt Rdhd Sht Nk 1/4-20x1-3/8
15	134300	Spacer Split 28x 96 Yel Zinc
16	121250X	Spring Cprsn 1 27 Blk Pnt
17	123976X	Nut Lock 1/4 Lge Flg Gr 5 Zinc
21	139888	Bolt Shld 5/16-18 Type Tt R
22	STD541431	Nut Lock Hex "W/Ins 5/16-18
23	74780814	Bolt Fin Hex 1/2-13 X 7/8 Gr 5
24	19171912	Washer 17/32 X 1-3/16 X 12 Ga
25	127018X	Bolt Shoulder 5/16-18 X 62
26	STD551150	Washer Lock Hvy Hlcl Spr 1/2

**NOTE:** All component dimensions given in U.S. inc  
1 inch = 25.4 mm

# REPAIR PARTS

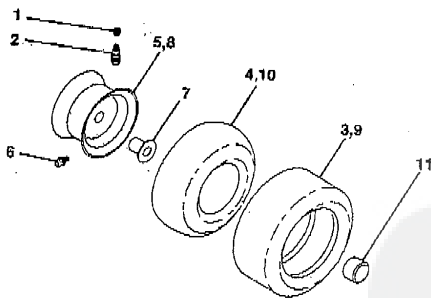
## TRACTOR - - MODEL NUMBER 917.256500

### DECALS



KEY NO.	PART NO.	DESCRIPTION	KEY NO.	PART NO.	DESCRIPTION
1	138955	Decal Dash Inst Oper English	12	4900J	Decal Clutch/brake English
2	272937	Decal B&S 13HP Icgold	13	146046	Decal V-Belt Dr Sch Tractor
3	150676	Decal Hood RH Crafts Slip LT	14	150678	Decal Chassis 6sp 42"
4	150677	Decal Hood LH Crafts Slip LT	15	136832	Decal V-Belt Sch
5	150680	Decal Grille Crafts	16	145245	Pad Footrest
6	133644	Decal Maint Cust Sears Domesti	17	150679	Decal Ins Hood
7	142235	Decal Side Pnl Icgold Blk B & S	18	133179	Decal Mower Qc System
8	140837	Decal Brake Parking Saddle	19	150333	Decal Cap CNSMR Help Line SRS
9	125880X	Decal Fender Craftsman Red	21	131265	Decal Lightbox
10	149516	Decal Battery Dngr/Psn Eng Acme	--	138311	Decal Handle Lft Height Adjust
11	137537	Decal Caution Fender Eng/span	--	150661	Manual Owners English
			--	150662	Manual Owners Spanish

### WHEELS & TIRES



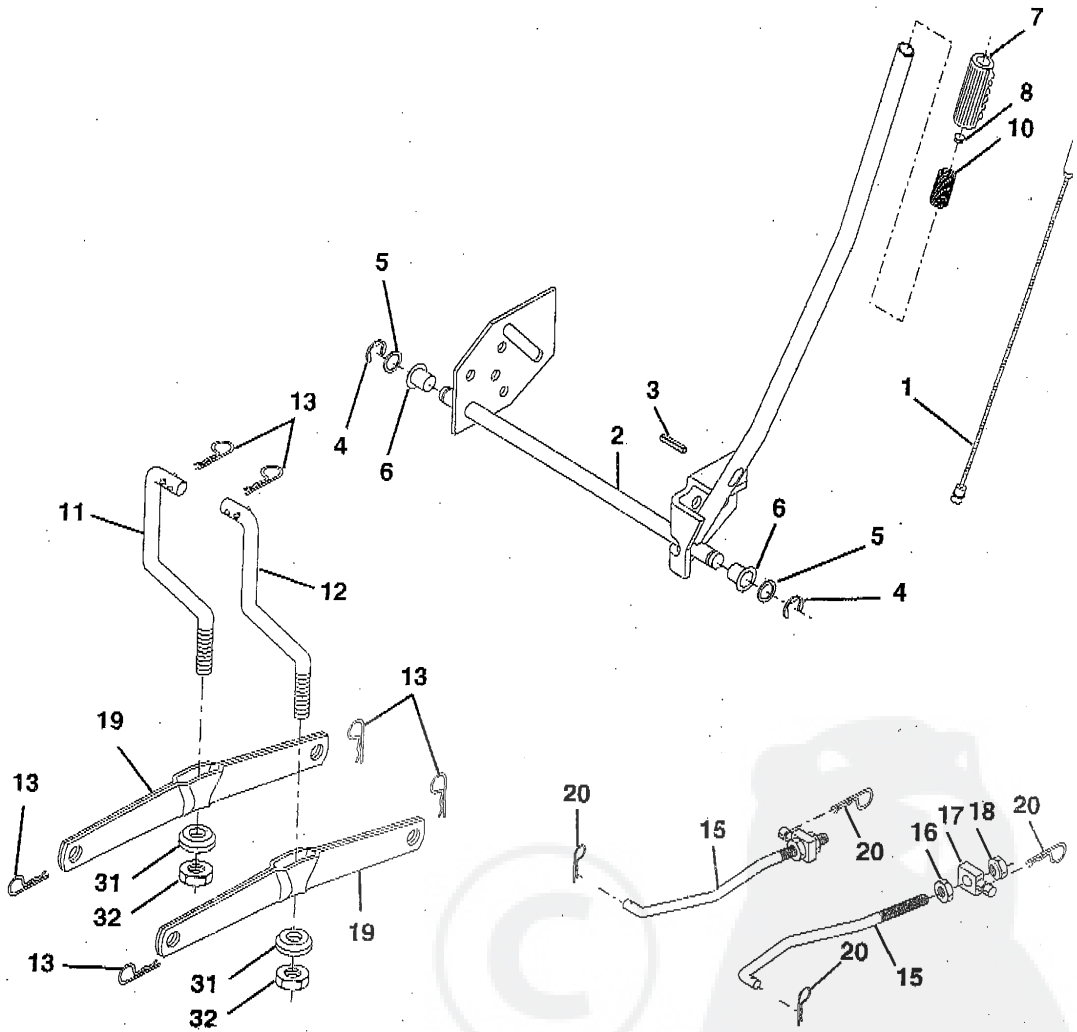
KEY NO.	PART NO.	DESCRIPTION
1	59192	Cap Valve Tire
2	65139	Stem Valve
3	106222X	Tire F Ts 15 X 6 0 - 6 Service
4	59904	Tube Front (Service Item Only)
5	106732X427	Rim Asm 6" front White Service
6	278H	Fitting Grease (Front Wheel Only)
7	9040H	Bearing Flange (Front Wheel Only)
8	106108X427	Rim Asm 8" rear White Service
9	124635X	Tire R Ts 16x8 5-8 C Service
10	7152J	Tube Rear (Service Item Only)
11	104757X	Cap Hub Axle Blk 1 50 X 1 00
--	144334	Sealant, Tire (10 oz. Tube)

NOTE: All component dimensions given in U.S. inches  
1 inch = 25.4 mm

**REPAIR PARTS**

**TRACTOR -- MODEL NUMBER 917.256500**

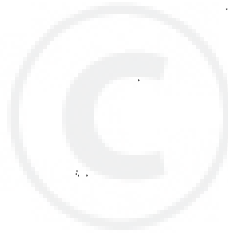
**LIFT**



**REPAIR PARTS****TRACTOR - - MODEL NUMBER 917.256500****LIFT**

KEY NO.	PART NO.	DESCRIPTION
1	136973	Wire Asm Inner W/plunger 17 32
2	122507X	Shaft Asm Lift 9 680
3	105767X	Pin Groove 1 500 Zinc
4	12000002	E Ring #5133-62
5	19211621	Washer Pltd 21/32 X 1 X 21ga
6	120183X	Bearing Nylon Blk 629 Id
7	125631X	Grip Handle Fluted Blk
8	122365X	Button Plunger Red
10	122512X	Spring Cprsn 3 750 Oiled
11	139865	Link Lift LH
12	139866	Link Lift RH
13	STD624008	Retainer Spring
15	127218	Link Front
16	73350800	Nut Jam Hex 1/2-13 Unc
17	130171	Trunnion Blk Zinc
18	73800800	Nut Lock W/wsh 1/2-13unc
19	139868	Arm Suspension Rear
20	STD624008	Retainer Spring Zinc
31	140302	Bearing Pvt Lift Spherical
32	73540600	Nut Crownlock 3/8-24

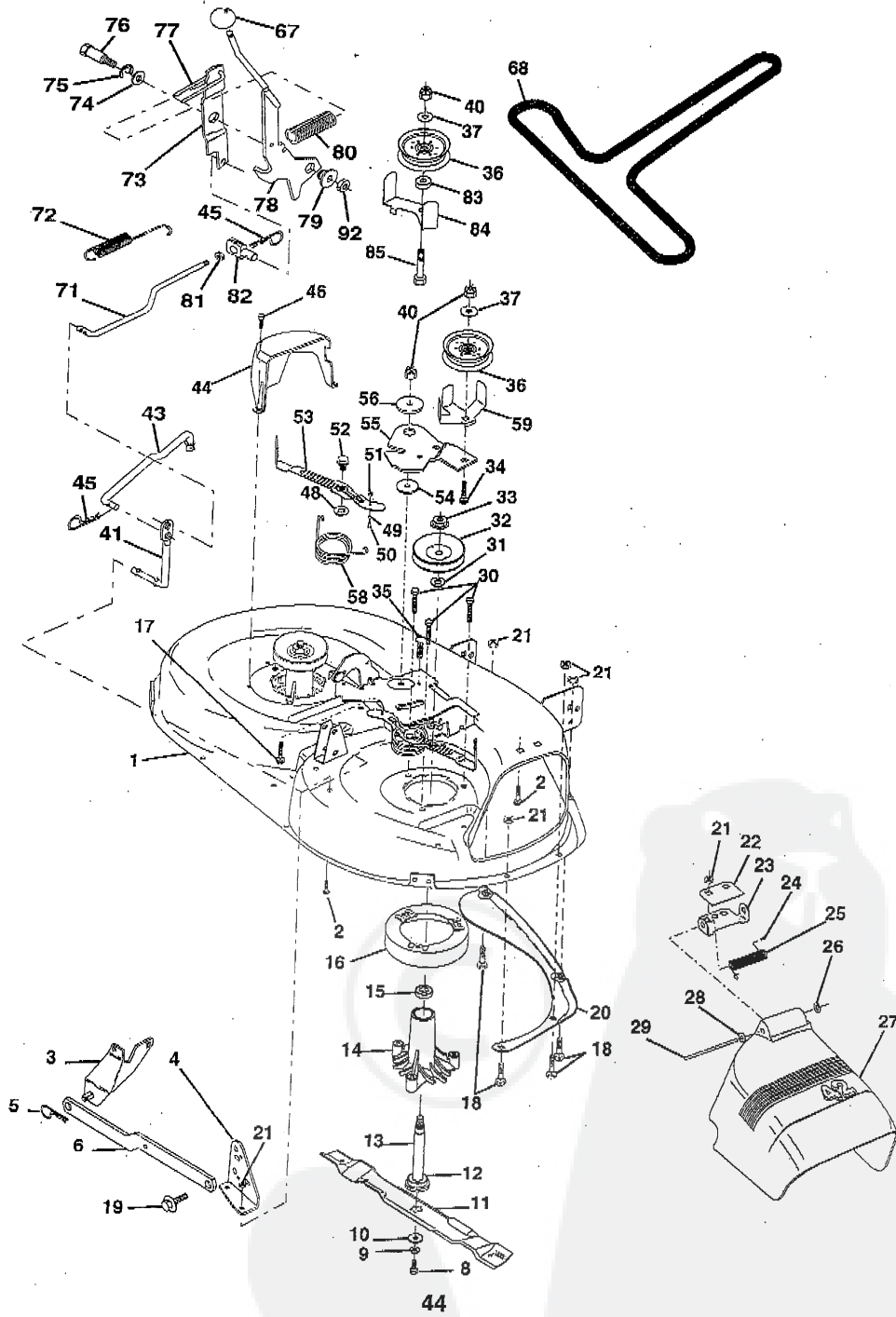
**NOTE:** All component dimensions given in U.S. inches  
1 inch = 25.4 mm



TRACTOR

TRACTOR - - MODEL NUMBER 917.256500

MOWER





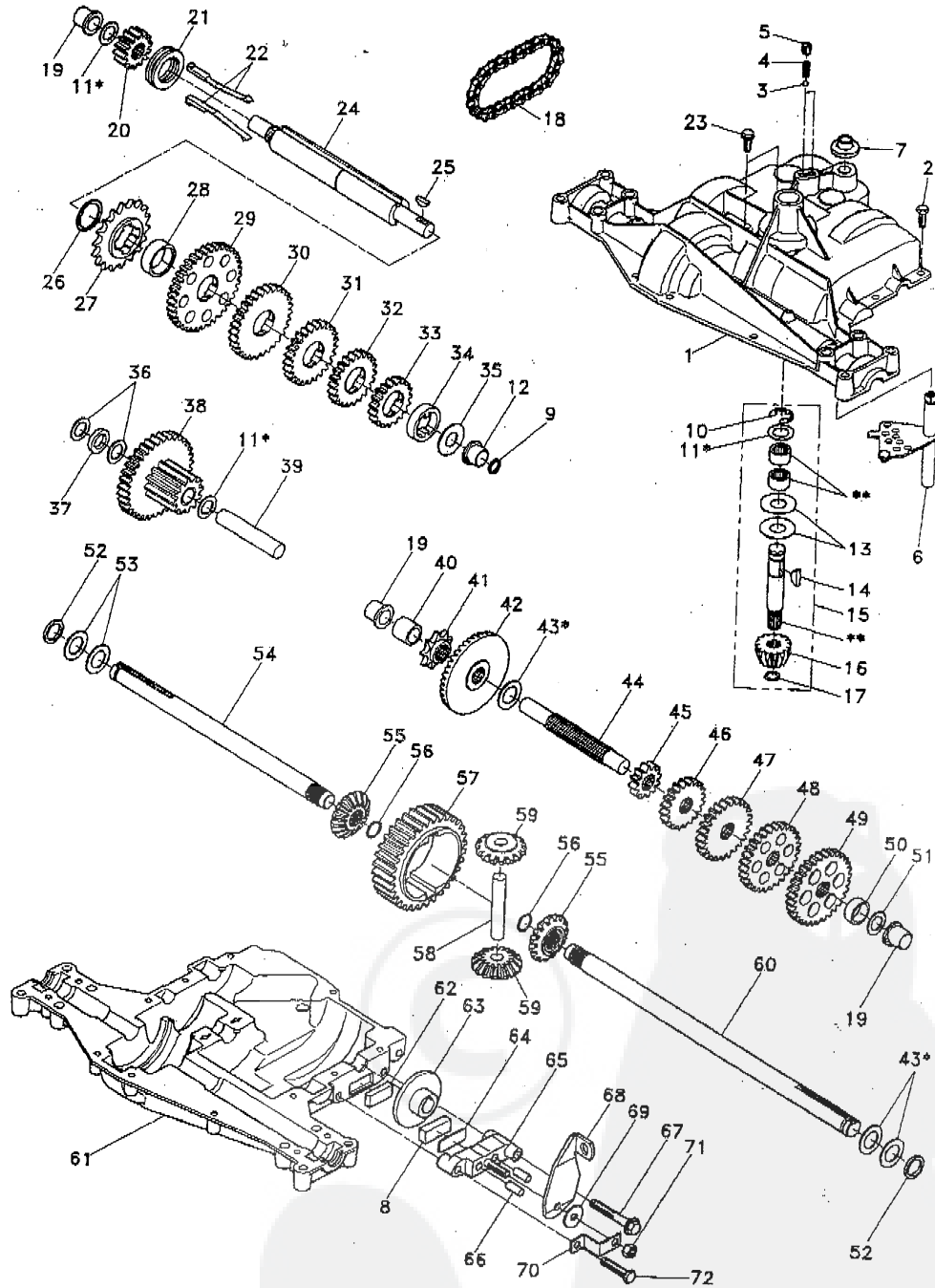
**REPAIR PARTS****TRACTOR - - MODEL NUMBER 917.256500****42" MOWER**

KEY NO.	PART NO.	DESCRIPTION	KEY NO.	PART NO.	DESCRIPTION
1	144393	Mower Housing	44	140086	Guard, Mandrel, L.H.
2	STD533107	Bolt	45	STD624003	Retainer
3	138017	Bracket Assembly, Sway Bar, Front	46	137729	Screw, Thd. Roll 1/4-20 x 5/8
4	138440	Bracket Assembly, Sway Bar	48	133944	Washer, Hardened
5	STD624008	Retainer Spring	49	133940	Roller Assembly, Cam Follower
6	130832	Arm, Suspension, Rear	50	131340	Bolt, Shoulder #10-24 Grade 5
8	850857	Bolt, Hex 3/8-24 x 1.25 Grade 8	51	STD541410	Locknut
9	STD551137	Washer, Lock	52	139888	Bolt, Shoulder 5/16-18 UNC
10	140296	Washer, Hardened	53	131845	Arm Assembly, Pad, Brake
11	134149	Blade, Mulching	54	133943	Washer, Hardened
12	129895	Bearing, Ball	55	140084	Arm, Idler
13	137645	Shaft Assembly, Mandrel, Vented (Includes Key Number 6)	56	122052X	Spacer, Retainer
14	128774	Housing, Mandrel, Vented	58	140086	Spring, Torsion Brakes 42"
15	110485X	Bearing, Ball, Mandrel	59	141043	Guard, Tuv Idler (94)
16	140329	Stripper, Vented Mower Deck	67	106932X	Knob, Round 3/8-16 UNC
17	72110610	Bolt, Carriage 3/8-16 x 2-1/4	68	144200	V-Belt
18	72140505	Bolt, Carriage 5/16-18 x 5/8	71	142427	Rod, Clutch, Primary, with Nibs
19	132827	Bolt, Shoulder	72	131870	Spring, Return
20	136888	Baffle, Vortex	73	127847	Arm, Clutch, Secondary
21	STD541437	Nut, Crownlock 5/16-18 UNC	74	121748X	Washer 25/32 x 1-5/8 x 16 Gauge
22	134753	Stiffener Bracket	75	12000029	Ring, Klip
23	131267	Bracket, Deflector	76	128903	Bolt, Shoulder 3/8-16 UNC x 1.44
24	105304X	Cap, Sleeve	77	127845	Keeper, Spring
25	123713X	Spring, Torsion, Deflector	78	140334	Arm, Clutch, Primary
26	110452X	Nut, Push	79	127498	Bushing, Large, Brass
27	130968	Shield, Deflector	80	128759	Spring, Mower Clutch
28	19111016	Washer 11/32 x 5/8 x 16 Gauge	81	73350600	Nut, Hex Jam 3/8-16 UNC
29	131491	Rod, Hinge	82	142028	Trunnion Adj. 94
30	138776	Screw Thdrol Hex Head Zinc Mwr	83	120958X	Washer Sintered
31	129963	Washer, Spacer	84	144394	Keeper Belt Idler Fixed
32	129861	Pulley, Mandrel	85	72140618	Bolt Carriage 3/8-16 x 2-1/4
33	137266	Nut, Toplock, Flanged	92	STD541437	Locknut, Hex W/Wsh 3/8-16 UNC
34	STD533717	Bolt	--	130794	Mandrel Assembly (Includes Key Numbers 8-10, 12-15, 31 and 32)
35	133835	Fastner, Christmas Tree	--	145411	Mower Deck, Complete
36	131494	Pulley, Idler, Flat	Available Mulcher Plate Kit not included with tractor:		
37	STD551037	Washer 13/32 x 13/16 x 16 Ga.	--	141112	Mulcher Close-out Plate Kit
40	STD541437	Nut, Crownlock 3/8-16 UNC			
41	133551	Rod, Pivot, with Nibs			
43	140083	Rod, Clutch, Secondary, with Nibs			

**NOTE:** All component dimensions given in U.S. inches  
1 inch = 25.4 mm.

# TRACTOR -- MODEL NUMBER 917.256500

## DANA TRANSAXLE - MODEL NUMBER 4360-78



**REPAIR PARTS****TRACTOR -- MODEL NUMBER 917.256500****DANA TRANSAXLE - MODEL NUMBER 4360-78**

KEY PART NO. NO.	DESCRIPTION	KEY PART NO. NO.	DESCRIPTION
1 142671	Housing, Upper	41 105928X	Sprocket, 9 Teeth (Reverse)
2 2274J	Screw, Self-Tapping, Large 1/4-20 x .734	42 110084X	Gear, Bevel, 42 Teeth
3 134400	Ball, Detent	43 134394	* Assembly, Kit, Shim .750 Shaft
4 105904X	Spring, Detent	44 120473X	Shaft, Drive
5 105905X	Screw, Set	45 142678	Gear, Spur, 12 Teeth (1-)
6 138235	Kit, Shifter Assembly	46 120407X	Gear, Spur, 20 Teeth (2-)
7 134399	Boot, Shifter	47 106589X	Gear, Spur, 25 Teeth (3-)
8 120951X	Puck, Friction	48 120408X	Gear, Spur, 28 Teeth (4-)
9 143045	Seal, Oil	49 105937X	Gear, Spur, 31 Teeth (5-)
10 142672	Ring, Retaining	50 105936X	Spacer .781 x 1.00 x .375
11 134793	* Assembly, Kit, Shim .625 Shaft	51 2226J	Washer, Plain .632 x 1.00 x .060
12 143051	Bearing, Flange	52 134401	Washer, Neoprene
13 120415X	Washer, Plain .632 x 1.38 x .046	53 2264J	Washer, Plain .758 x 1.25 x .031
14 142674	Key, Woodruff, #9	54 120474X	Axle, L.H.
15 138234	Assembly, Kit, Input Shaft	55 110081X	Gear, Miter, 15 Teeth
16 110078X	Pinion, Bevel, 14 Teeth	56 105941X	Ring, Retaining
17 105909X	Ring, Retaining	57 110071X	Gear, Spur, 32 Teeth
18 105910X	Chain, 24 Pitches	58 120952X	Shaft, Cross
19 105911X	Bearing, Flange	59 110082X	Gear, Miter, 15 Teeth
20 142675	Gear, Spur, 14 Teeth	60 120475X	Axle, R.H.
21 138246	Collar, Clutch	61 142680	Housing, Lower
22 138236	Assembly, Kit, Clutch Keys	62 120961X	Puck, Friction
23 134791	Screw, Tapping w/Sealer	63 7294J	Disc, Brake
24 142676	Shaft, Intermediate	64 108989X	Spacer
25 2244J	Key, Woodruff, #61	65 120953X	Jaw, Brake
26 105916X	Ring, Retaining	66 120954X	Pin, Dowel
27 120470X	Sprocket, 18 Teeth (Reverse)	67 134799	Screw, Self-Tapping, Large 5/16-18 x 2.25
28 110070X	Spacer	68 138244	Lever, Actuating
29 142677	Gear, Spur, 37 Teeth (1-)	69 108996X	Washer, Plain .321 x 1.00 x .055
30 120405X	Gear, Spur, 30 Teeth (2-)	70 120956X	Bracket, Anti-Rotation
31 108980X	Gear, Spur, 25 Teeth (3-)	71 73810500	Locknut 5/16-24
32 120406X	Gear, Spur, 22 Teeth (4-)	72 106596X	Screw, Self-Tapping, Large 5/16-18 x 1.44
33 134796	Gear, Spur, 19 Teeth (5-)	73 120416X	Grease
34 134797	Spacer 1.133 x 1.50 x .375		
35 105925X	Washer, Plain .640 x 1.37 x .061		
36 2232J	Washer, Plain .632 x 1.00 x .026		
37 108978X	Spacer .630 x 1.00 x .169		
38 110079X	Assembly, Gear, Combination of 12 Teeth and 35 Teeth		
39 124639X	Shaft, Idler		
40 120472X	Spacer .635 x .875 x .755		

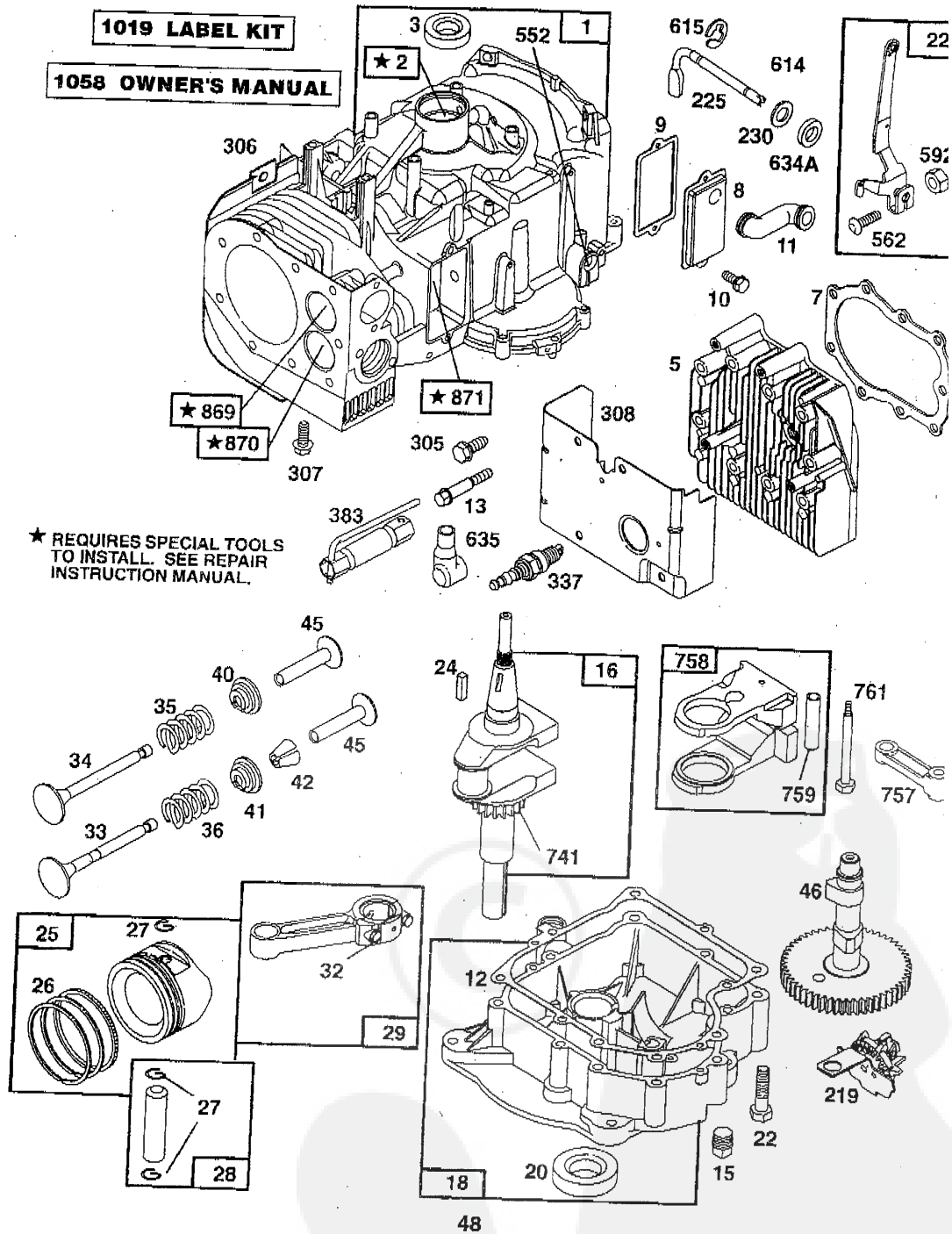
\* Use in combinations to maintain proper clearances

\*\* Order Key No. 15

NOTE: All component dimensions given in U.S. inches  
1 inch = 25.4 mm

# TRACTOR - - MODEL NUMBER 917.256500

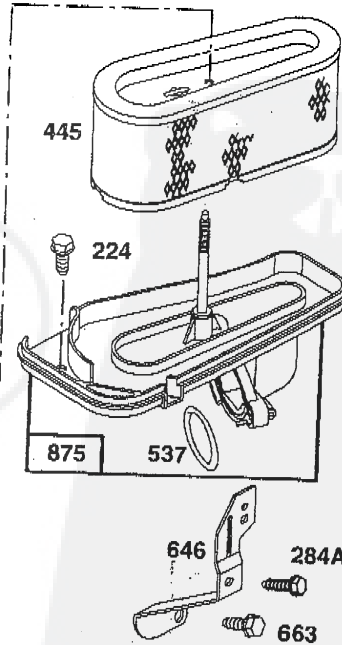
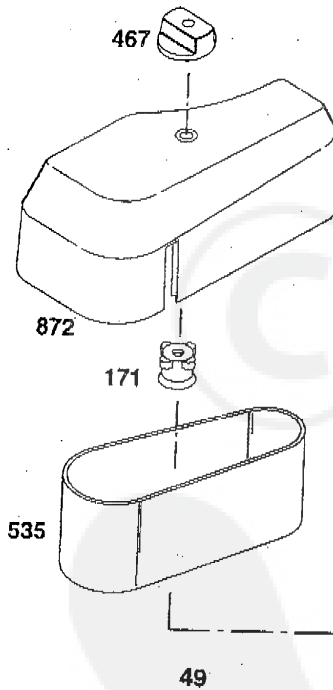
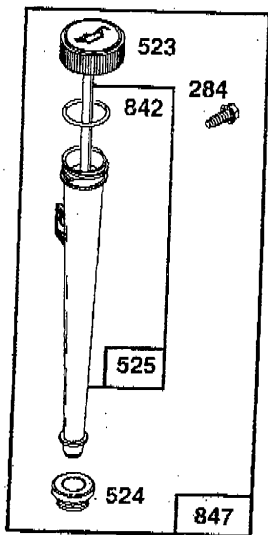
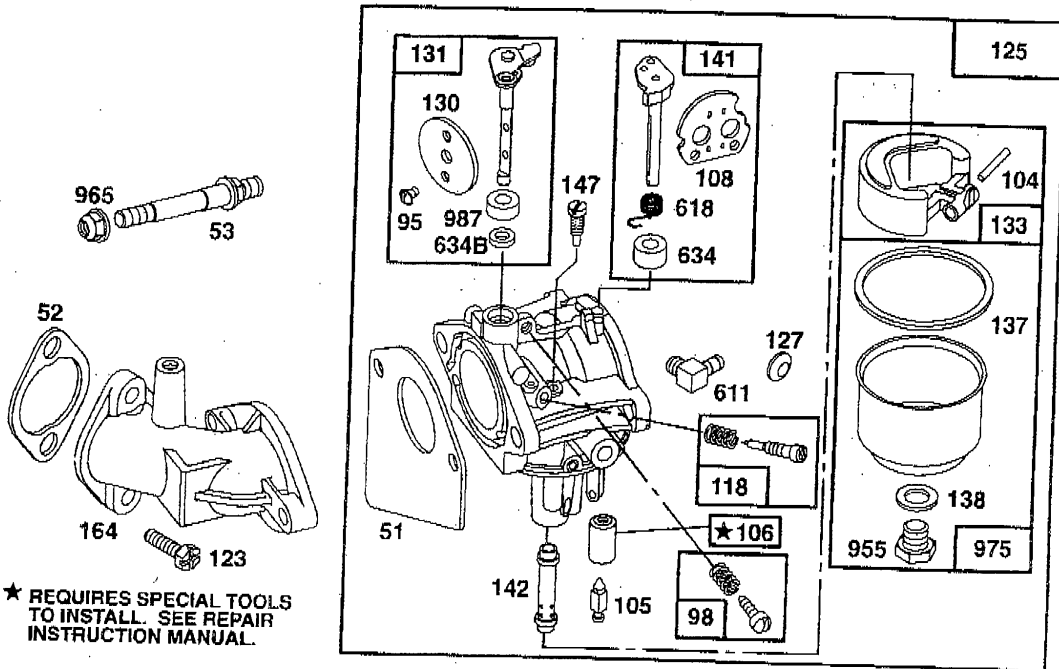
## BRIGGS & STRATTON ENGINE - MODEL NUMBER 28R707, TYPE NUMBER 0140-01



# REPAIR PARTS

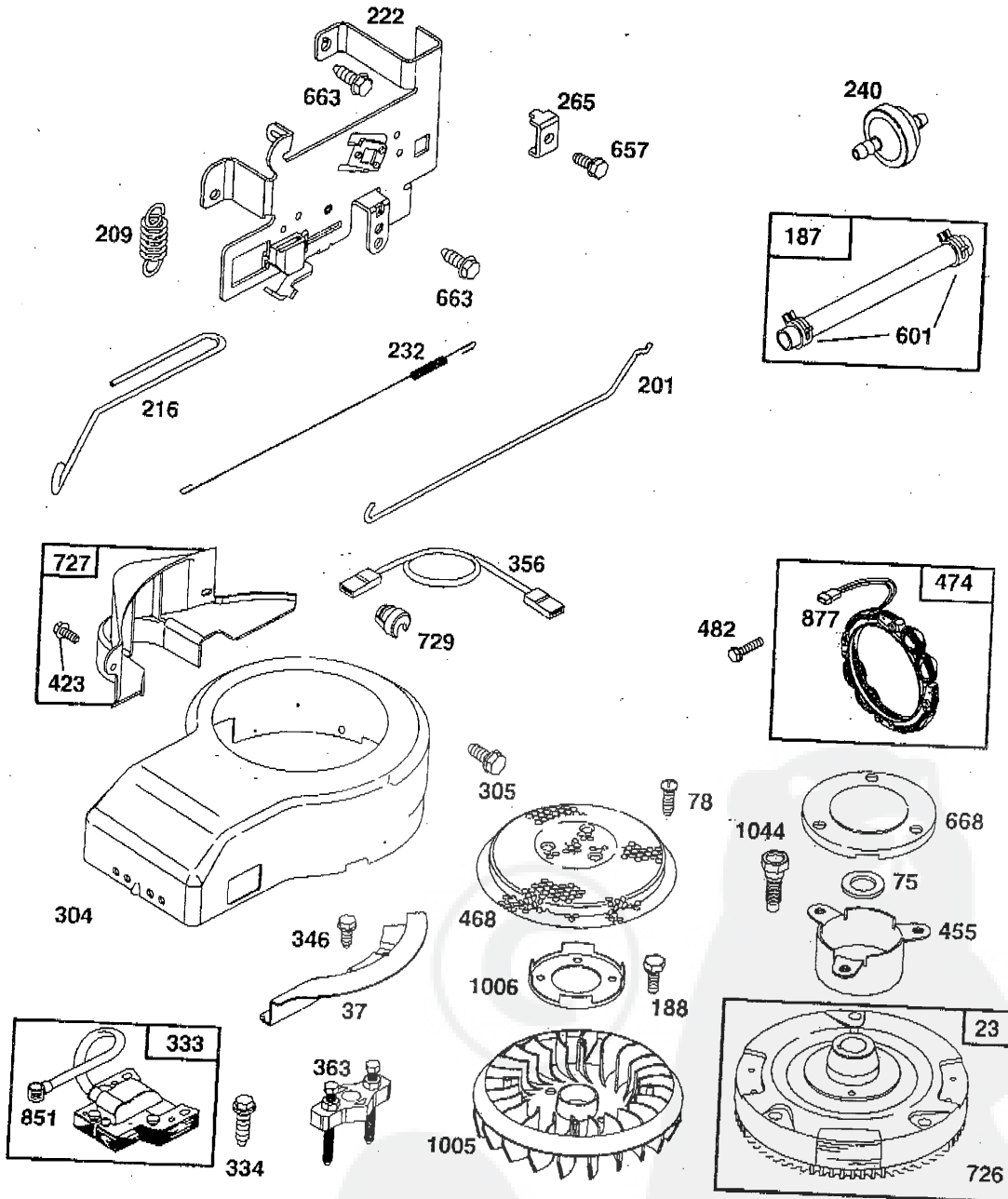
## TRACTOR -- MODEL NUMBER 917.256500

### BRIGGS & STRATTON ENGINE - MODEL NUMBER 28R707, TYPE NUMBER 0140-01



**REPAIR PARTS**

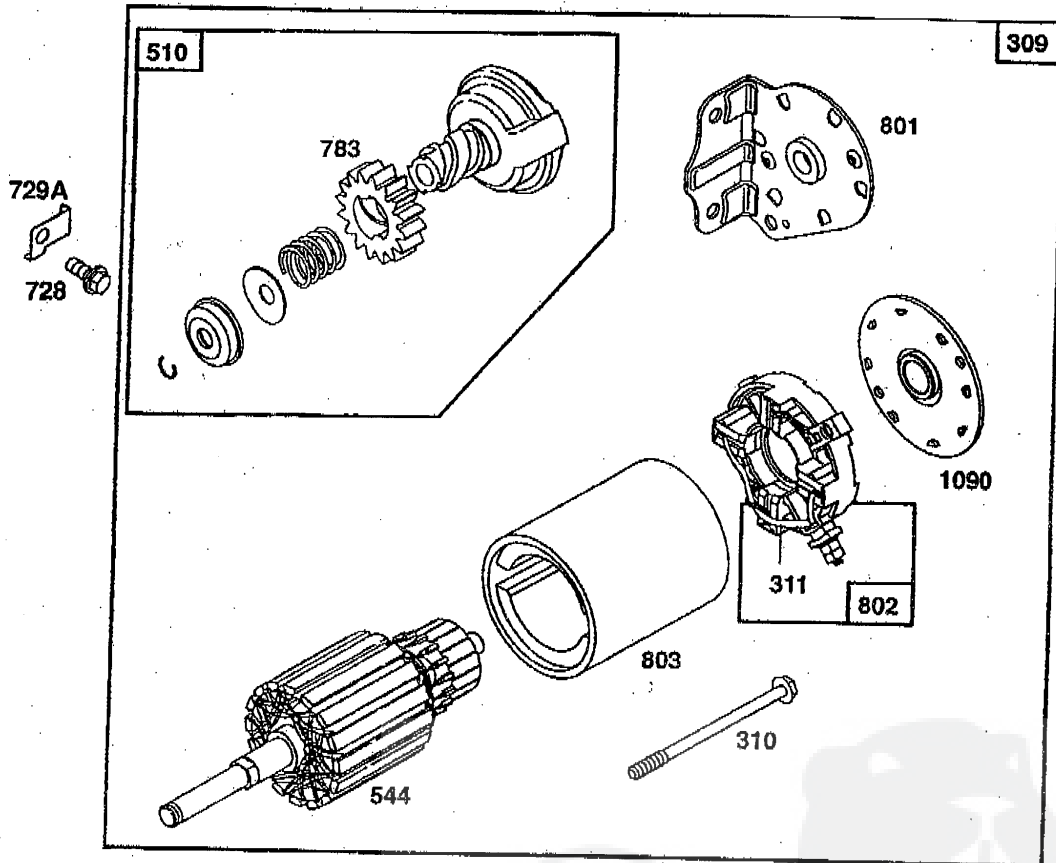
**TRACTOR -- MODEL NUMBER 917.256500  
BRIGGS & STRATTON ENGINE - MODEL NUMBER 28R707, TYPE NUMBER 0140-01**



# REPAIR PARTS

TRACTOR -- MODEL NUMBER 917.256500

BRIGGS & STRATTON ENGINE - MODEL NUMBER 28R707, TYPE NUMBER 0140-01



**TRACTOR PARTS**

**TRACTOR -- MODEL NUMBER 917.256500**

**BRIGGS & STRATTON ENGINE - MODEL NUMBER 28R707, TYPE NUMBER 0140-01**

KEY PART NO. NO.	DESCRIPTION	KEY PART NO. NO.	DESCRIPTION
1	496413	52	272554
2	399265	53	94637
3	391086	75	224061
5	494240	78	94626
6	22963	95	94098
7	271866	98	495800
8	495735	104	231789
9	27803	105	231855
10	94621	106	231854
11	280100	108	224540
12	271916	118	494383
	271997	121	497535
	271996	123	94616
13	94622	125	495706
15	94239	127	---
16	495162	130	224539
	94196	131	494379
18	494238	133	494381
20	291675	137	281165
22	94624	138	281164
23	492326	141	495931
24	222698	142	494537
25	394661	147	497492
	394662	164	213819
	394663	171	281051
	394664	187	393815
26	391780	188	94627
	392331	201	262767
	391781	209	260871
	391782	216	262766
	391783	219	490815
27	260924	222	495611
28	299691	224	94729
	391286	225	231058
29	490348	227	493935
	490469	230	94742
32	94671	232	262785
33	262246	240	394358
34	262247	265	221535
35	65906		
36	26828		
37	224502		
40	221596		
41	292260		
42	93630		
45	262248		
46	212897		
51	272465		
	Cylinder Assembly		
	Bearing, Cylinder		
	* Seal, Oil		
	Head, Cylinder		
	Washer, Flat		
	* Gasket, Cylinder Head		
	Breather Assembly		
	(Includes Mounting Gasket)		
	* Gasket, Valve Cover		
	Screw, Sems		
	Tube, Breather		
	* Gasket, Crankcase Cover, 1/64"		
	* Gasket, Crankcase Cover, .005"		
	* Gasket, Crankcase Cover, .009"		
	Screw, Cylinder Head		
	Plug, Oil Drain		
	Crankshaft		
	Key, Timing Gear		
	Base, Engine		
	* Seal, Oil		
	Screw, Sems, Base Mounting		
	Flywheel		
	Key, Flywheel		
	Piston Assembly, Standard Size		
	Piston Assembly, .010" Oversize		
	Piston Assembly, .020" Oversize		
	Piston Assembly, .030" Oversize		
	Ring Set, Standard Size		
	Ring Set, Standard Size, Chrome		
	Ring Set, .010" Oversize		
	Ring Set, .020" Oversize		
	Ring Set, .030" Oversize		
	Lock, Piston Pin		
	Pin, Piston, Standard Size		
	Pin, Piston, .005" Oversize		
	Rod, Connecting		
	Rod, Connecting, .020" Undersize		
	Screw, Connecting Rod		
	Valve, Exhaust		
	Valve, Intake		
	Spring, Valve		
	Spring, Valve		
	Guard, Flywheel		
	Retainer, Intake Valve		
	Rotocoil, Exhaust Valve		
	Retainer, Rotocoil		
	Tappet, Valve		
	Gear, Cam		
	*** Gasket, Carburetor		
	* Gasket, Carburetor		
	Stud, Carburetor Mounting		
	Washer, Spring		
	Screw, Sems		
	** Screw, Throttle		
	Screw, Idle Adjust		
	** Pin, Float Hinge		
	** Valve, Inlet Needle		
	** Seat, Inlet		
	Valve, Choke		
	Valve, Needle		
	Carburetor Kit		
	Screw, Elbow Mounting		
	Carburetor		
	** Plug, Welch (Sold in Kit Only)		
	Valve, Throttle		
	Shaft, Throttle		
	Float, Carburetor		
	*** Gasket, Float Bowl		
	*** Washer, Float Bowl		
	Shaft, Choke		
	** Nozzle, Carburetor		
	** Pilot, Jet		
	Carburetor, Elbow		
	Nut, Air Cleaner		
	Line, Fuel (11" Long, Cut to Suit)		
	Screw, Sems		
	Link, Governor		
	Spring, Governor		
	Link, Choke		
	Gear, Governor		
	Plate, Governor Control		
	Screw, Hex Head		
	Crank, Governor		
	Lever Assembly, Governor		
	Washer, Governor Crank		
	Spring, Governor Link		
	Filter, Fuel		
	Clamp, Casing		

\* Included in Gasket Set (494241)  
 \*\* Included in Carburetor Kit (497535)  
 \*\*\* Included in both Carburetor Kit (497535),  
 and Carburetor Gasket Set (494385)

**NOTE:** All component dimensions given in U.S. inches  
 1 inch = 25.4 mm



**REPAIR PARTS****TRACTOR -- MODEL NUMBER 917.256500****BRIGGS & STRATTON ENGINE - MODEL NUMBER 28R707, TYPE NUMBER 0140-01**

KEY PART NO. NO.	DESCRIPTION	KEY PART NO. NO.	DESCRIPTION		
284	94073	Screw, Hex Head	668	280848	Spacer
284A	94704	Screw, Hex Head	726	392134	Gear, Ring
304	496280	Housing, Blower	727	490324	Cover, Starter
305	94786	Screw, Hex Head	729	261159	Clip, Lead Wire
306	224545	Shield, Cylinder	729A	225170	Retainer, Wire
307	94623	Screw, Sems	741	262962	Gear, Timing
308	491490	Cover, Cylinder Head	757	213998	Link, Counterweight
309	497595	Motor, Starter	758	399891	Counterweight Assembly
310	497602	Thru Bolt Assembly	759	298909	Pin, Counterweight
311	497608	Brush Assembly	761	94593	Screw, Counterweight
332A	94314	Nut, Hex	763	280104	Gear
333	492341	Armature, Magneto	801	394856	Cap, Drive
334	93381	Screw, Sems	802	497605	Cap, End
337	802592	Plug, Spark	803	497604	Housing, Starter
346	93705	Screw, Hex Head	842	270920	* Seal, Cap
356	494328	Wire Assembly	847	496415	Tube Assembly, Oil
358	494241	Gasket Set	851	221798	Terminal, Ignition Cable
363	19203	Puller, Flywheel	859	261463	Seat, Intake Valve
383	89838	Wrench, Spark Plug	870	213316	Seat, Exhaust Valve
423	94073	Screw, Sems	871	261961	Guide, Exhaust Valve
445	493909	Cartridge, Air Cleaner		231218	Guide, Intake Valve, Brass
455	222561	Cup, Screen Mounting	872	281361	Cover, Air Cleaner
467	493903	Knob, Air Cleaner	875	494237	Body, Air Cleaner
468	224948	Screen, Rotating	877	393456	Diode Assembly
474	393474	Stator, Alternator	955	94642	Screw, Fuel Bowl
482	93621	Screw, Sems	965	94010	Nut, Hex
510	497606	Starter Drive Group	975	494378	Bowl, Float
523	495230	Dipstick, Oil	977	494385	Carburetor Gasket Set
524	68838	* Seal, Oil	987	281166	** Seal, Throttle Shaft
525	496113	Tube, Oil Filler	1005	281355	Fan, Flywheel
535	272403	Element, Filter	1006	224413	Retainer, Fan
537	281106	* O-Ring, Air Cleaner	1019	491252	Label Kit
544	497603	Armature, Starter	1044	94673	Screw, Hex Head
552	231597	Bushing, Governor Crank	1058	272697	Manual, Owner's
562	92613	Bolt, Governor Lever	1090	497607	Retainer, Brush
592	231082	Nut, Hex			
601	93053	Clamp, Fuel Pipe			
611	494451	Elbow, Fuel Pipe			
614	93306	Pin, Cotter			
615	93307	Retainer, E-Ring			
618	262803	Spring, Choke Return			
634	281168	** Seal, Choke Shaft			
634A	491323	* Seal, Governor			
634B	398970	** Washer, Throttle Shaft			
635	66538	Elbow, Spark Plug			
646	224546	Brace, Air Cleaner			
657	93495	Screw, Sems			
663	94620	Screw, Hex Head			

RPM Settings: Low Speed: 1900-2100  
High Speed: 3000-3200

\* Included in Gasket Set (494241)

\*\* Included in Carburetor Kit (497535)

\*\*\* Included in both Carburetor Kit (497535),  
and Carburetor Gasket Set (494385)

NOTE: All component dimensions given in U.S. inches  
1 inch = 25.4 mm