

**REPAIR PARTS MANUAL**  
**MODEL NO. 992880**  
**Lawn Tractor**

---

**CRAFTSMAN®**

# HOW TO USE THIS MANUAL

This manual is designed to provide the customer with a means to identify the parts on his/her tractor when ordering repair parts. The illustrations may or may not represent the actual assemblies; therefore, it is not recommended to use this manual as a guide to assemble or disassemble the tractor. Some hardware and parts are drawn larger in order to more readily identify them.

Each tractor has its own model number.

The model number for your tractor can be found on the fender under the seat.

When ordering parts, always give the following information:

- Product - "Tractor"
- Model Number - "992880"
- Part Number
- Part Description

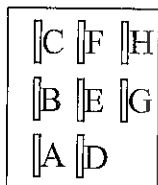
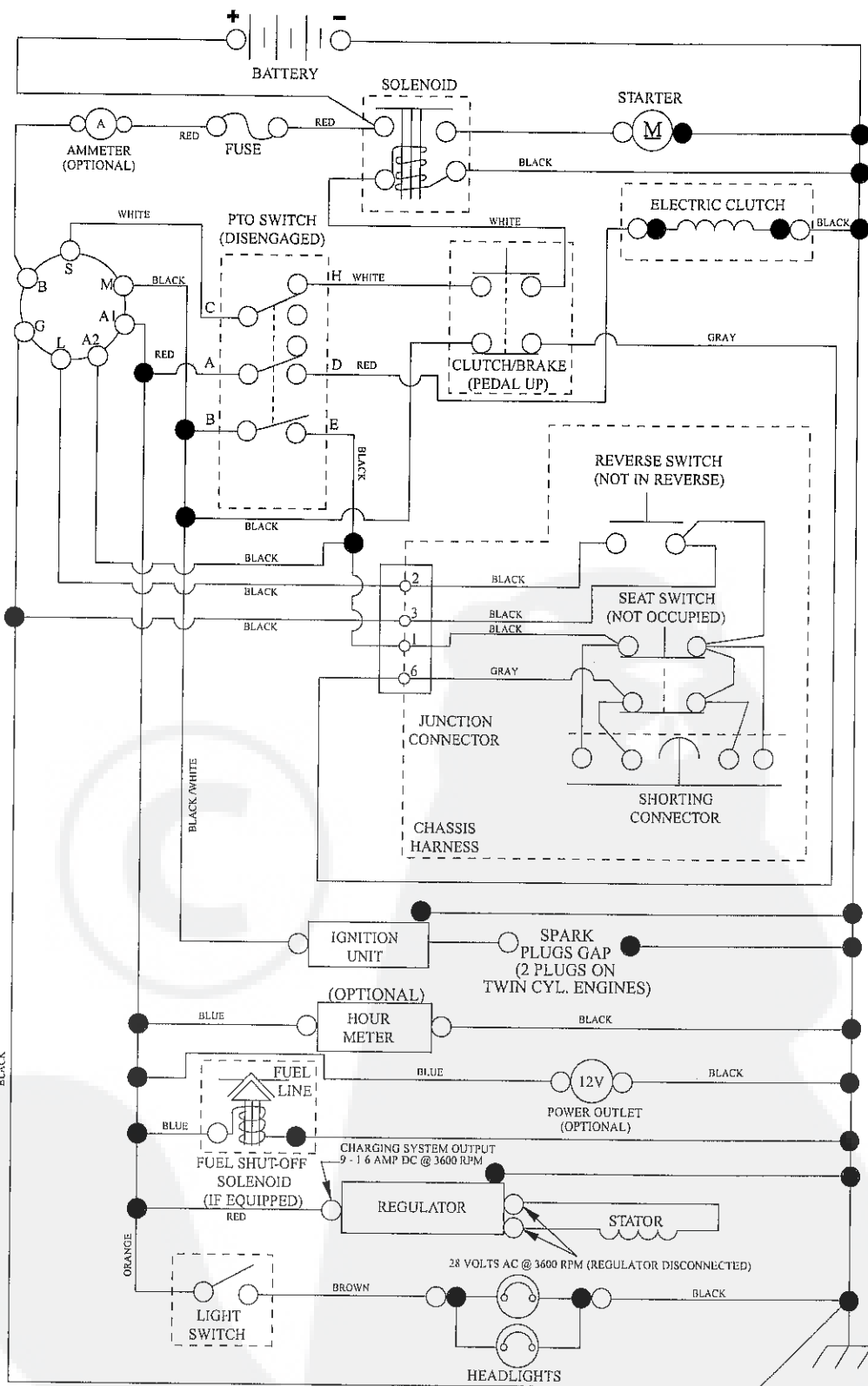
## TABLE OF CONTENTS

SCHEMATIC .....	3
ELECTRICAL.....	4-5
CHASSIS .....	6-7
DRIVE.....	8-9
ENGINE.....	10-11
STEERING .....	12-13
SEAT .....	14
DECALS.....	15
MOWER DECK.....	16-17
MOWER LIFT.....	18-19
TRANSAXLE BREAKDOWN .....	20-21
ENGINE BREAKDOWN.....	22-26
WARRANTY.....	BACK COVER

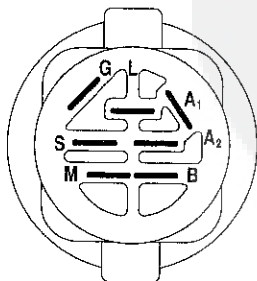
# TRACTOR - - MODEL NO. 917.992880

## SCHEMATIC

SCH12

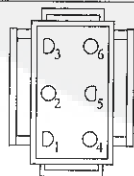


PTO SWITCH (MATING SIDE)



IGNITION SWITCH

POSITION	CIRCUIT	"MAKE"
OFF	M+G+A1	
RUN/OVERRIDE	B+A1	
RUN	B+A1	L+A2
START	B+S+A1	



CHASSIS HARNESS CONNECTOR (MATING SIDE)



DASH HARNESS CONNECTOR

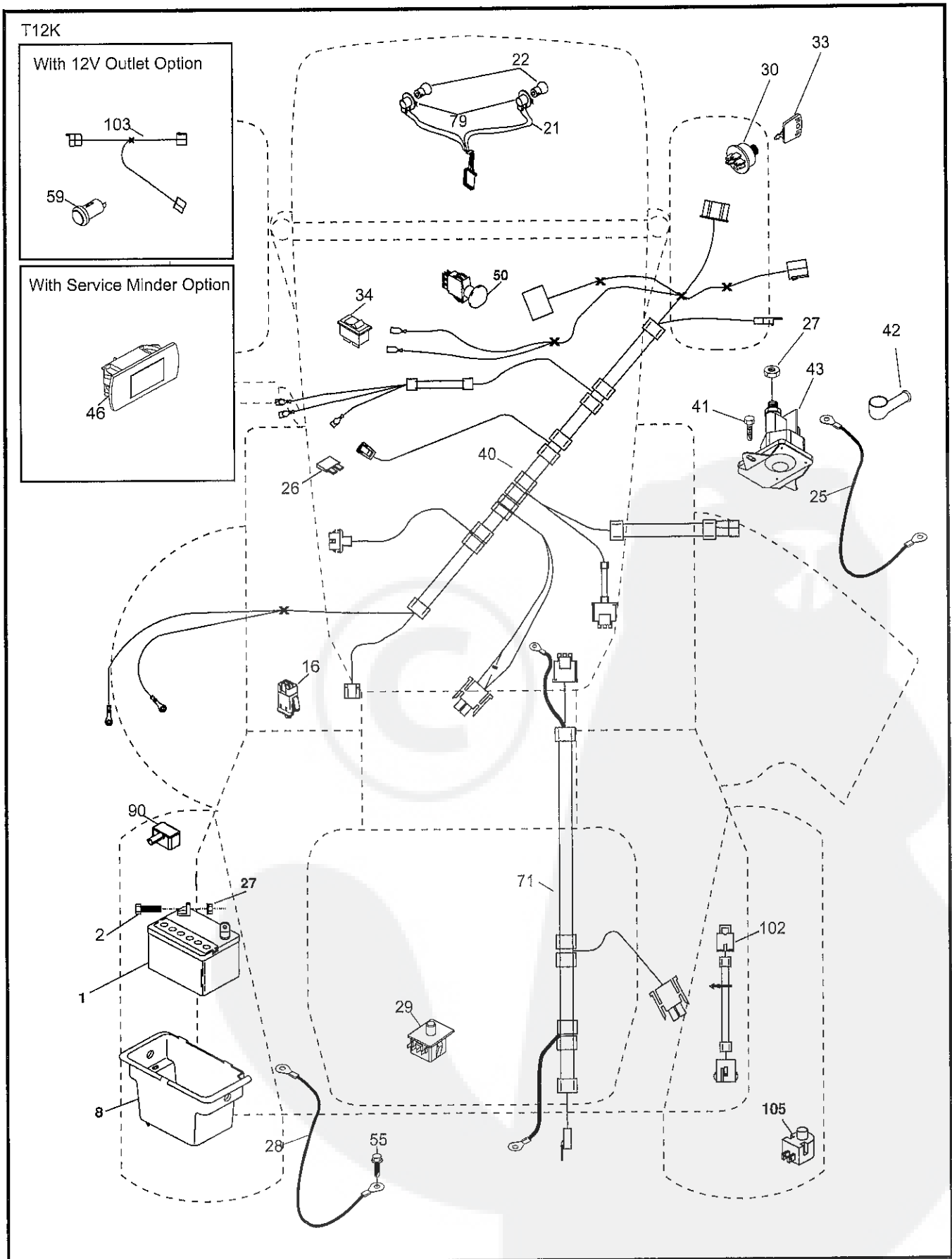
WIRING INSULATED CLIPS  
NOTE: IF WIRING INSULATED CLIPS WERE REMOVED FOR SERVICING OF UNIT, THEY SHOULD BE RE-INSTALLED TO PROPERLY SECURE YOUR WIRING.

NON-REMOVABLE CONNECTIONS

REMOVABLE CONNECTIONS

# TRACTOR - - MODEL NO. 917.992880

## ELECTRICAL

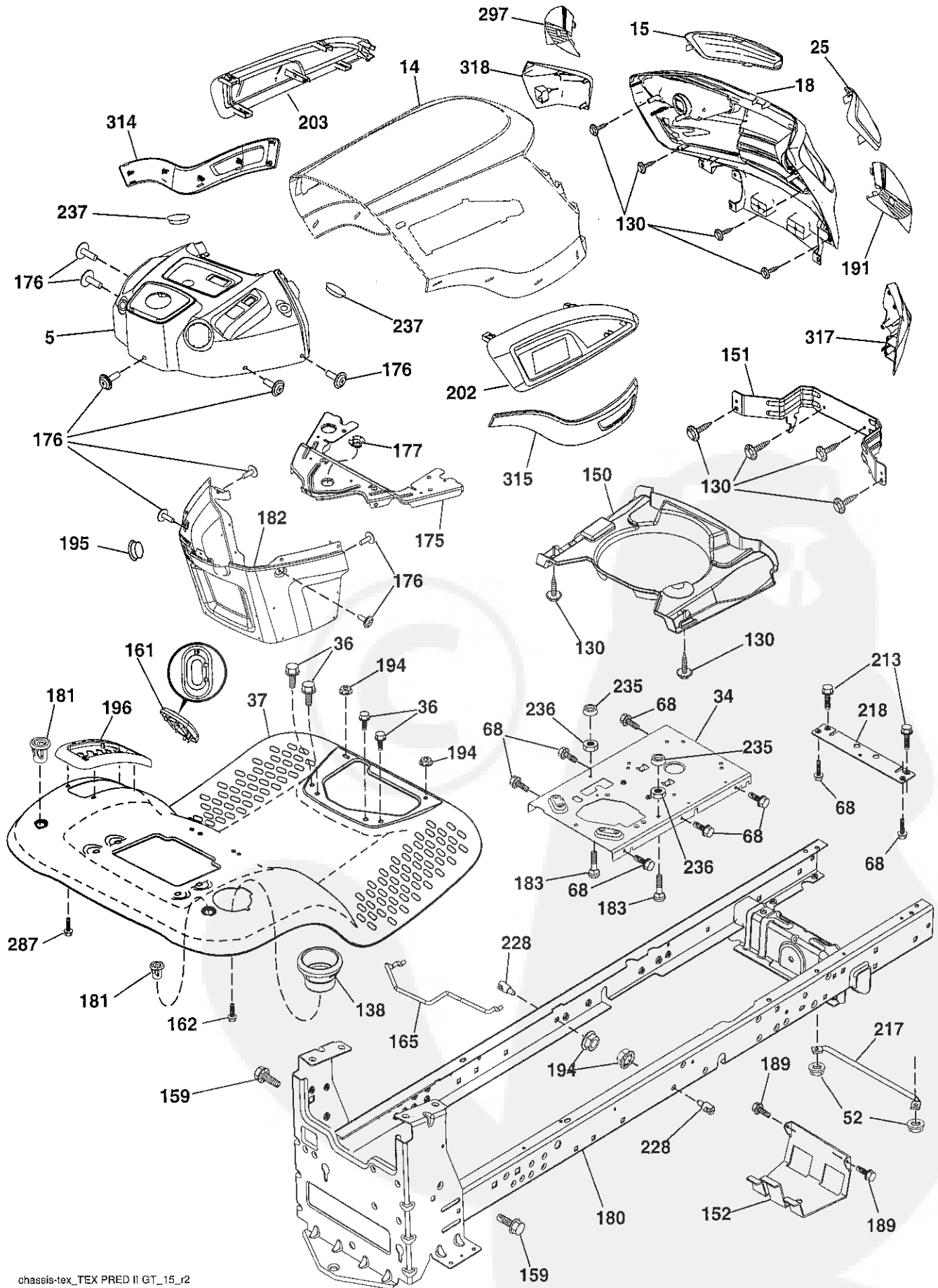


KEY PART NO.	PART NO.	DESCRIPTION
1	163465	Battery
2	74760412	Bolt Hex Hd 1/4-20 unc x 3/4
8	186491	Box Battery
16	176138	Switch Interlock Push-In
21	400252	Harness Socket Light w/4152J
22	4152J	Bulb Light
24	400253	Cable Btry.
25	412895	Cable Starter
26	175158	Fuse
27	73510400	Nut Keps Hex 1/4-20 unc
28	145491	Cable, Ground
29	401545	Switch, Seat
30	193350	Switch, Ign
33	411934	Key/Chain
34	110712X	Switch Light / Reset
40	401104	Harness Ign. Dash
41	17720408	Screw Thd Cut 1/4-20 x 1/2
42	131563	Cover, Terminal
43	192507	Solenoid
46	401763	Gauge SRVCMNDR HRMTR
50	174652	Switch PTO
55	17060512	Screw Thdrol 5/16-18 x 3/4 TYTT
71	194276	Harness Ign. Chassis
79	175242	Bulbholder Asm. Incan Descent
90	435395	Cover Terminal Battery
91	190270	Strap Btry.
99	17670412	Screw Hexwsh Thdrol 1/4-20 x 3/4
100	19091416	Washer 9/32 x 7/8 16 Ga.
102	404454	Harness Pigtail
105	407568	Switch Reverse

**NOTE:** All component dimensions given in U.S. inches.  
1 inch = 25.4 mm.

# TRACTOR - - MODEL NO. 917.992880

## CHASSIS AND ENCLOSURES



chassis-tex\_TEX PRED II GT\_15\_r2

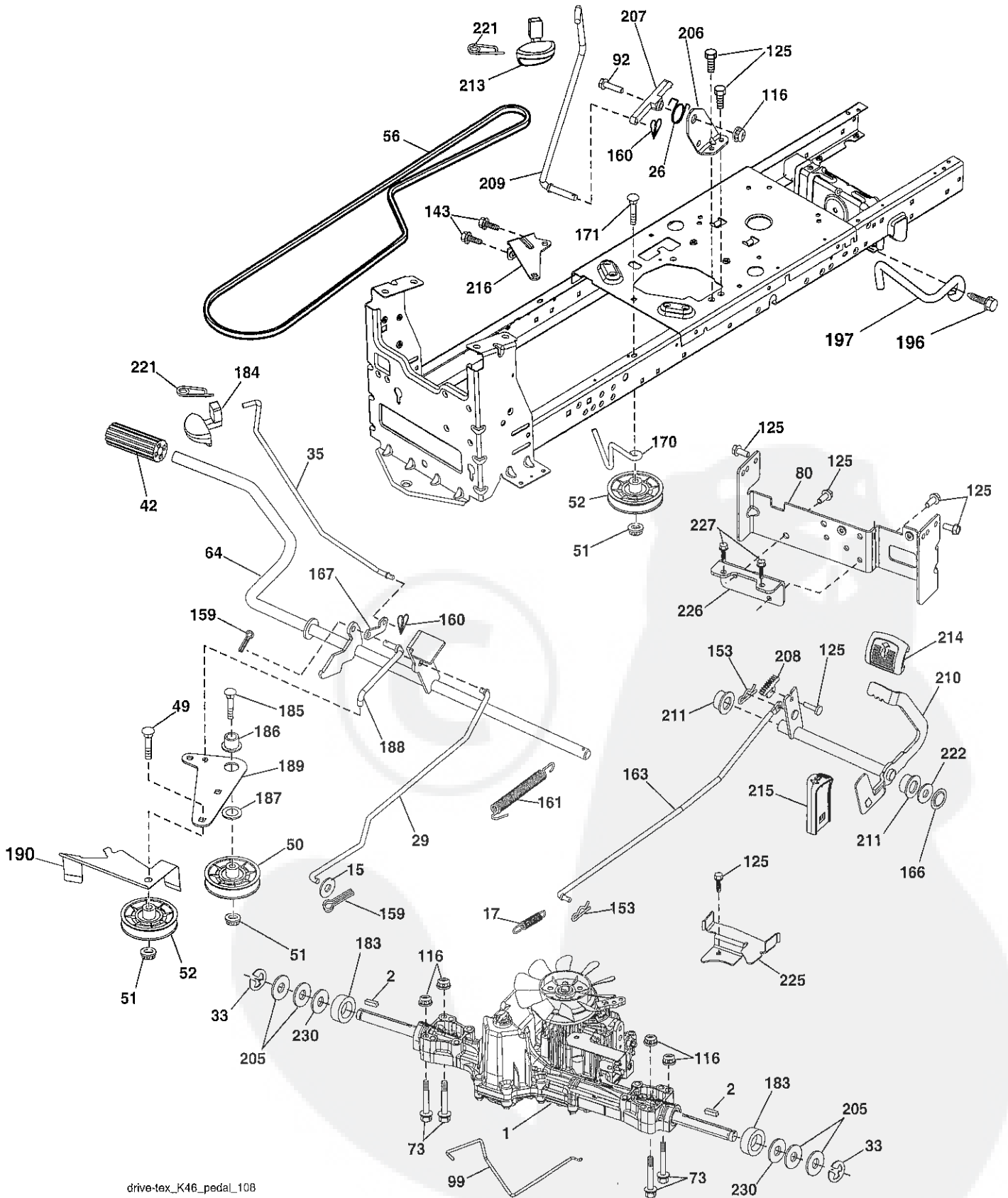
**TRACTOR - - MODEL NO. 917.992880**  
**CHASSIS AND ENCLOSURES**

<b>KEY PART NO.</b>	<b>NO.</b>	<b>DESCRIPTION</b>
5	424927X428	Dash
14	421154X615	Hood
15	421493X599	Lens LH
18	441721X428	Grille
25	421494X599	Lens RH
34	580910801	Plate Engine
36	17060512	Screw 5/16-18 x 3/4
37	414878X615	Fender
52	73680500	Nut Crown Lock 5/16-18
68	17490508	Screw Thdrol 5/16-18 x 1/2
130	416358	Screw # 10 x .750 BOS Thread
138	193224X428	Cupholder
150	199411	Duct Heat Hood
151	445494	Bracket Pivot
152	199535	Shield Browning/Debris
159	17000612	Screw Hexwsh Thdrol 3/8-16 x 3/4
161	193229X428	Window Fuel
162	142432	Screw Hex Wsh Hi-Lo 1/4 x 1/2
165	196826	Support Tank Rear
175	196304	Crossmember
176	400776	Screw 10-24 x 5/8 Wshd Qdrx
177	195227	Bushing Steering
180	195457	Chassis
181	193102X428	Bushing Mtg. Fender Crgo.
182	406859	Dash Lower
183	74520520	Bolt 5/16-18 x 1-1/4
189	17000512	Screw 5/16 - 18 x 3/4
191	425407	Insert Reflective RH
194	73900500	Nut Lock Hex Flange 5/16-18
195	401556X428	Plug Hole Dash 12V Adapter
196	414579	Console Asm. Deck Lift
202	423175	Vent Side Hood RH
203	423174	Vent Side Hood LH
213	74760512	Bolt hex HD 5/16-18 unc x 3/4
217	409167	Rod Pivot Chassis
218	196395	X piece hood stop
228	195161	Stud Fastener
235	406129	Spacer Fender
236	73930500	Nut Center Lock 5/16-18
237	403704	Plug Mount Cargo
287	17600406	Screw Hex Washhead 1/4-20 x 3/8
297	425406	Insert Reflective LH
314	580614601	Trim SD LH
315	580614501	Trim SD RH
317	421257X615	Cap Corner RH
318	421258X615	Cap Corner LH

**NOTE:** All component dimensions given in U.S. inches.  
 1 inch = 25.4 mm.

# TRACTOR -- MODEL NO. 917.992880

## DRIVE



drive-tex\_K46\_pedal\_108



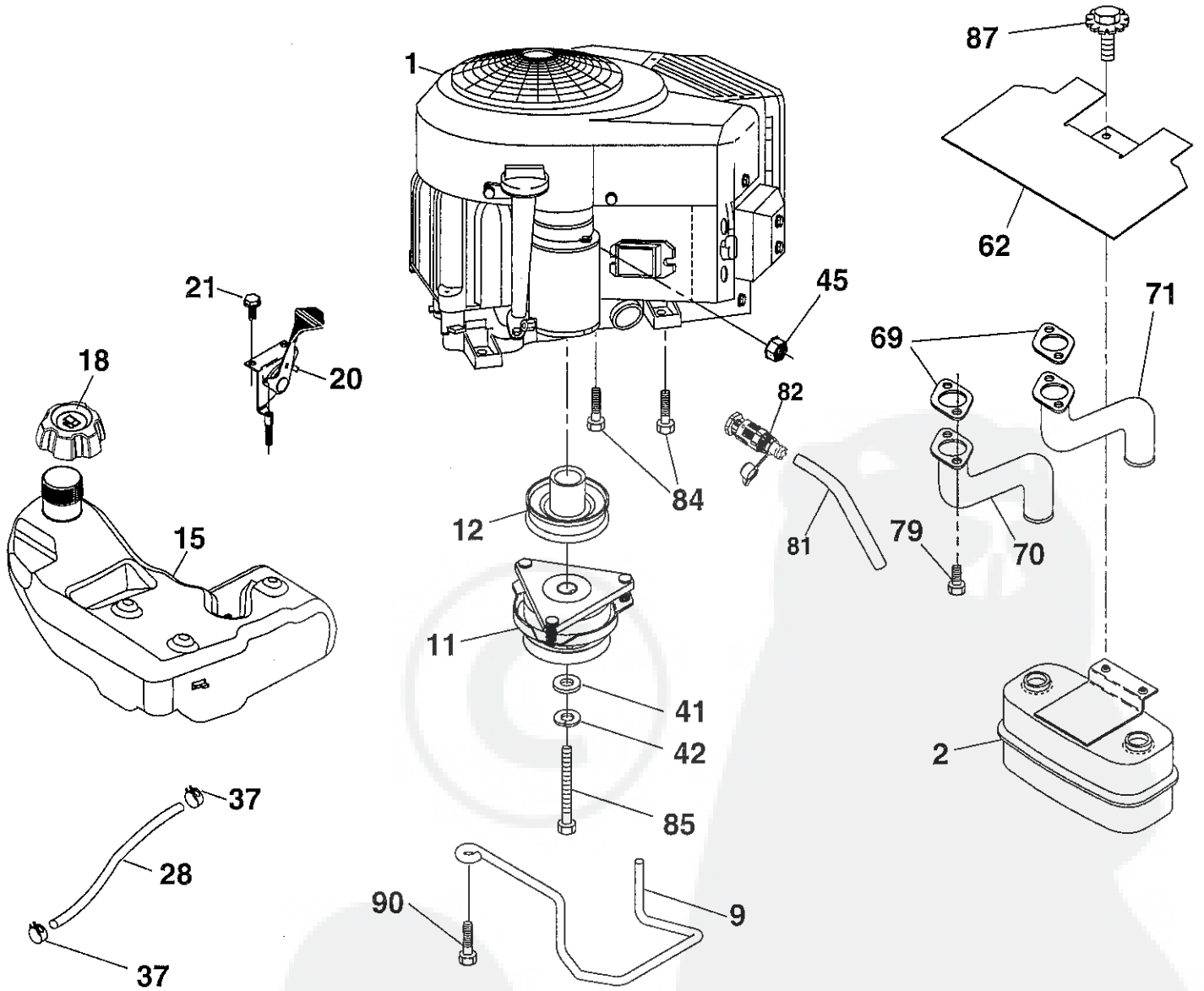
# TRACTOR - - MODEL NO. 917.992880

## DRIVE

KEY NO.	PART NO.	DESCRIPTION	KEY NO.	PART NO.	DESCRIPTION
1	- - - -	Transaxle, TUFFTORQ K46 BT (426120) (See transaxle breakdown.)	183	137057	Spacer Split
2	123583X	Key	184	196439X667	Handle Parking Brake
15	19131316	Washer 13/32 x 13/16 x 16 Ga.	185	72110622	Bolt 3/8-16 x 2-3/4 Gr. 5
17	413678	Spring, Brake	186	194321	Spacer Retainer
26	199679	Spring Return Cruise	187	19133210	Washer
29	403806	Rod, Brake	188	194323	Link Clutch Ground Drive
33	12000001	Ring E	189	194317	Bellcrank Ground Drive
35	583864501	Rod, Brake, Park	190	194318	Keeper Bellcrank Ground Drive
42	8883R	Cover, Foot Pedal	196	17000616	Screw 3/8-16 x 1
49	72110614	Bolt	197	195804	Link Clutch Anti-Rotation 1" CRK
50	194327	Pulley Idler Flat	205	121748X	Washer
51	73900600	Lock Nut 3/8-16	206	448596	Bracket Mount Latch Cruise
52	194326	Idler V-Groove	207	197868	Latch Control Cruise
56	130969	V-Belt, Drive	208	197869	Gear Sector Control Cruise
64	197865	Shaft Asm. Pedal Brake Control	209	199592	Rod Control Cruise
73	74490540	Bolt 5/16-18 x 2.1/2 G 5	210	400980	Rocker Asm. Pedal Control
80	440619	Strap Torque	211	120183X	Bearing Nylon
92	74760520	Bolt Fin Hex 5/16-18 unc x 1.25	213	196441X428	Knob Control Cruise
99	415742	Rod Spring Bypass	214	421263	Pedal Forward
116	73900500	Nut Lock Hex Flange 5/16-18	215	197301X428	Pedal Reverse
125	17000512	Screw 5/16-18 x 3/4	216	196131	Bracket Pulley Idler
143	17490508	Screw 5/16-18 x 1/2	221	403187	Retainer Spring Clip Handle
153	4497H	Retainer Spring	222	79212010	Washer 21/32 x 1-1/4 x 10 Ga.
159	76020412	Pin Cotter 1/8 x 3/4	225	403319	Keeper Belt Trans.
160	169484	Retainer Clip	226	401564	Bracket Mount Torque
161	105709X	Spring, Return, Clutch	227	17490512	Screw Thdrol 5/16-18 x 3/4
163	448275	Rod Pedal Control	230	188967	Washer
166	429164	Nut Push .625			
167	405257	Latch Brake Parking			
170	194322	Keeper Belt Centerspan			
171	72110616	Bolt Rd. Hd. Sq. NK. 3/8-16 unc x 2			

**NOTE:** All component dimensions given in U.S. inches  
1 inch = 25.4 mm

ENGINE



**SPARK ARRESTER KIT**

engine-tex\_bs-2cyl\_65

# TRACTOR - - MODEL NO. 917.992880

## ENGINE

KEY PART NO.	PART NO.	DESCRIPTION
1	---	Engine B&S Model No. 445677-3118-G5 (581083301) (See Engine Breakdown.)
2	149723	Muffler
9	194320	Keeper Belt Engine
11	400008	Clutch Electric
12	405097	Pulley Engine
15	438080	Tank Fuel
18	430214	Cap Asm
20	421473X428	Control Throttle
21	416358	Screw 10 x .750 BOS Thread
28	8543R	Fuel Line
29	137180	Spark Arrester Kit
37	123487X	Clamp Hose
41	126197X	Washer 1-1/2 ODX 15/32 IDX .250
42	10040700	Washer Lock 7/16
45	73510400	Nut Keps Hex 1/4-20 unc
62	434017	Shield Heat Muffler
69	165391	Gasket
70	159955	Exhaust Tube LH
71	160589	Exhaust Tube RH
79	183906	Screw 5/16-18 x .75
81	148456	Tube Drain Oil Easy
82	428287	Valve Oil Drain
84	17060620	Screw 3/8-16 x 1-1/4
85	173937	Bolt Hex 7/16-20 x 4 x Gr. 5-1.5
87	171877	Bolt 5/16-18 unc x 3/4 w/Sems
90	17000616	Screw 3/8-16 x 1.0
91	187495	Bushing 1.37500

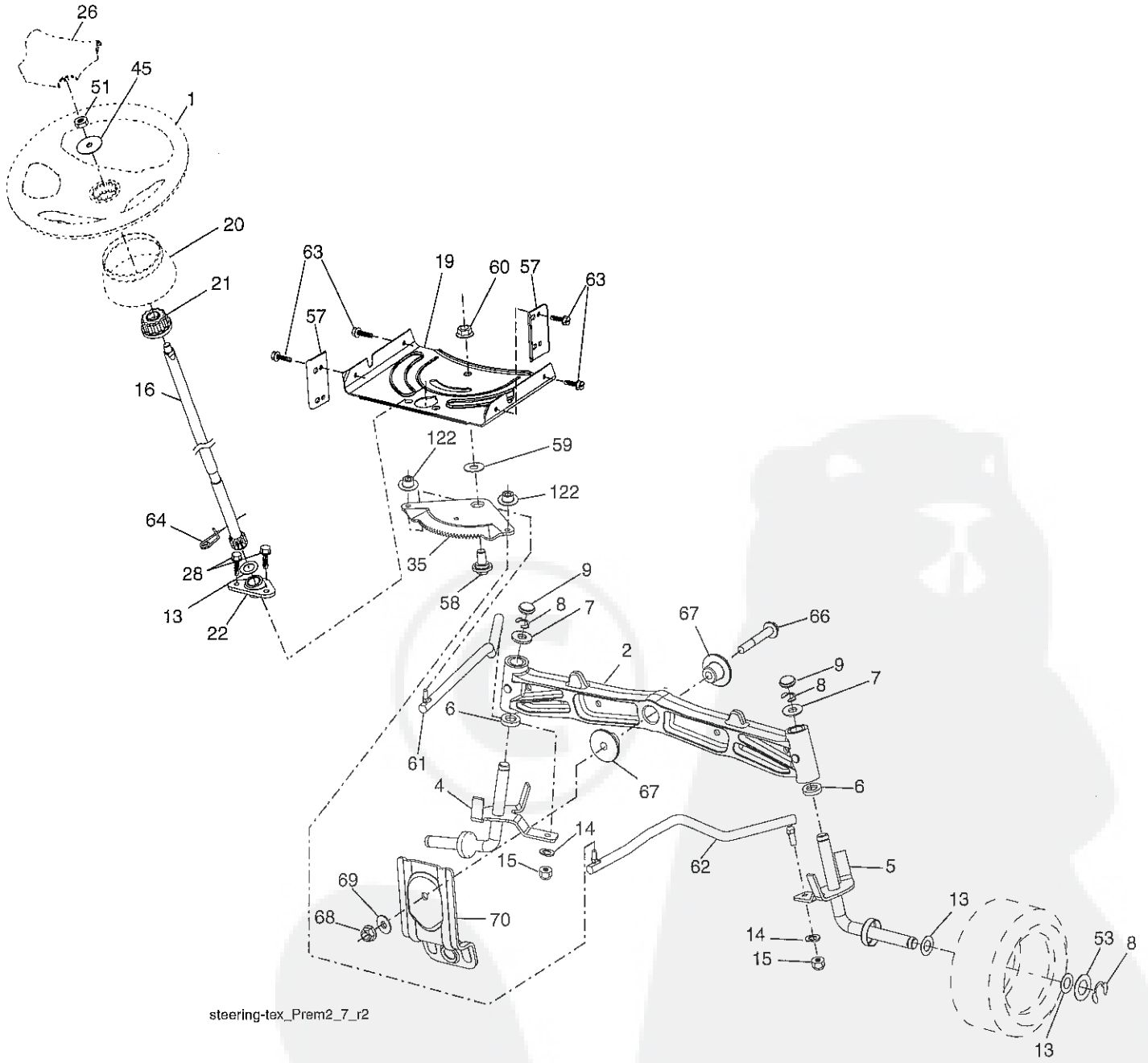
**NOTE:** All component dimensions given in U.S. inches  
1 inch = 25.4 mm

### Engine Power Rating Information

The gross power rating for individual gas engine models is labeled in accordance with SAE (Society of Automotive Engineers) code J1940 (Small Engine Power & Torque Rating Procedure), and rating performance has been obtained and corrected in accordance with SAE J1995 (Revision 2002-05). Torque values are derived at 3060 RPM; horsepower values are derived at 3600 RPM. Actual gross engine power will be lower and is affected by, among other things, ambient operating conditions and engine-to-engine variability. Given both the wide array of products on which engines are placed and the variety of environmental issues applicable to operating the equipment, the gas engine will not develop the rated gross power when used in a given piece of power equipment (actual "on-site" or net power). This difference is due to a variety of factors including, but not limited to, accessories (air cleaner, exhaust, charging, cooling, carburetor, fuel pump, etc.), application limitations, ambient operating conditions (temperature, humidity, altitude), and engine-to-engine variability. Due to manufacturing and capacity limitations, Briggs & Stratton may substitute an engine of higher rated power for this Series engine.

# TRACTOR - - MODEL NO. 917.992880

## STEERING ASSEMBLY



# TRACTOR - - MODEL NO. 917.992880

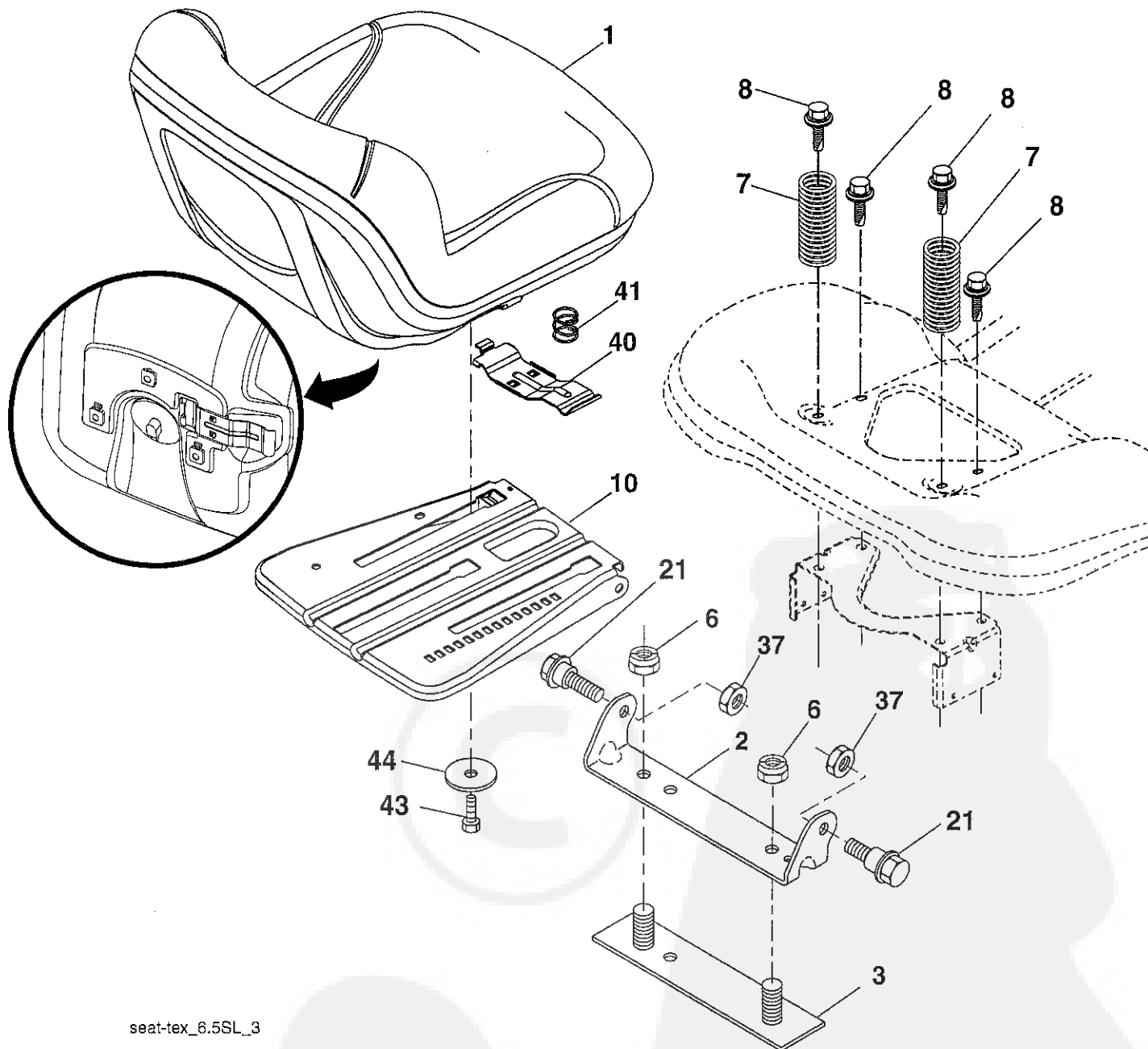
## STEERING ASSEMBLY

KEY PART NO.	PART NO.	DESCRIPTION
1	414851X428	Wheel, Steering
2	195968	Axle Asm., Front
4	403087	Spindle Asm., LH
5	403088	Spindle Asm., RH
6	6266H	Washer Thrust 0.75 x 1.23
7	121748X	Washer 25/32 x 1-5/8 x 16 Ga.
8	12000029	Ring, Clip #T5304-75
9	184946X667	Cap, Spindle
13	121749X	Washer 25/32 x 1-1/4 x 16 Ga.
14	10040600	Washer Lock 3/8
15	73540600	Nut, Crown Lock 3/8-24 unf
16	194746	Shaft Steering
19	194729	Plate Steering
20	199676X428	Boot, Steering
21	186737	Adapter, Wheel Steering
22	420537	Steering Support Lower
26	414852X428	Insert, Wheel Steering
28	17000612	Screw 3/8-16 x 3/4
35	194732	Gear, Sector Plate
45	19183812	Washer 9/16 I.D. x 2-3/8 O.D.
51	73940800	Nut Hex Jam Toplock 1/2-20
53	188967	Washer Hardened .793 x 1.637 x .060
57	407465	Bracket Upstop
58	194747	Bolt Shoulder Sector Pivot CFM
59	194748	Washer Thrust Sector Steering
60	73971000	Nut Flange Lock 5/8-11
61	194740	Draglink, LH
62	194741	Draglink, RH
63	17000512	Screw 5/16-18 x 3/4
64	199849	Retainer Clip Spring Steering
66	71020748	Bolt Hex Fghd 7/16-14 x 3 Serr
67	194737	Bushing PM Front Axle
68	73900700	Nut Lock Flange 7/16-14 Gr. 5
69	199162	Washer 1.5 x .505 x .118
70	196197	Bracket Deck Susp. Front
122	444962	Cap Gear Sector

**NOTE:** All component dimensions given in U.S. inches.  
1 inch = 25.4 mm.

# TRACTOR - - MODEL NO. 917.992880

## SEAT ASSEMBLY



seat-tex\_6.5SL\_3

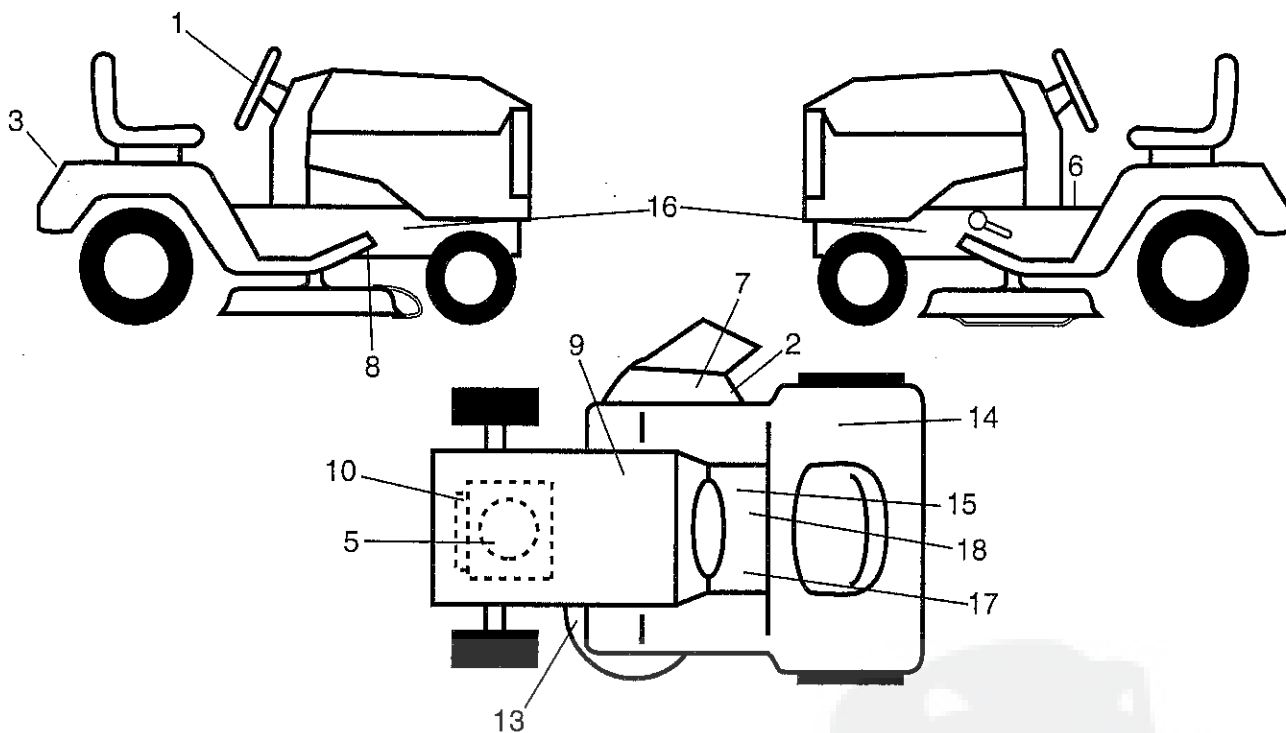
KEY NO.	PART NO.	DESCRIPTION
1	423645	Seat
2	180166	Bracket Pivot Fender
3	140675	Strap, Asm Fender
6	73800600	Nut, Lock 3/8-16 unc
7	124181X	Spring, Seat Cprsn
8	171877	Bolt 5/16-18 unc x 3/4 w/Sems
10	196977	Pan, Seat
21	171852	Bolt, Shoulder 5/16-18

KEY NO.	PART NO.	DESCRIPTION
37	73800500	Nut, Lock 5/16-18 unc
40	197661	Handle Slide Seat
41	198200	Spring Latch Seat
43	74760612	Bolt 3/8-16 x 3/4
44	19133812	Washer 13/32 x 2-3/8 x 12 Ga.

**NOTE:** All component dimensions given in U.S. inches.  
1 inch = 25.4 mm

# TRACTOR - - MODEL NO. 917.992880

## DECALS



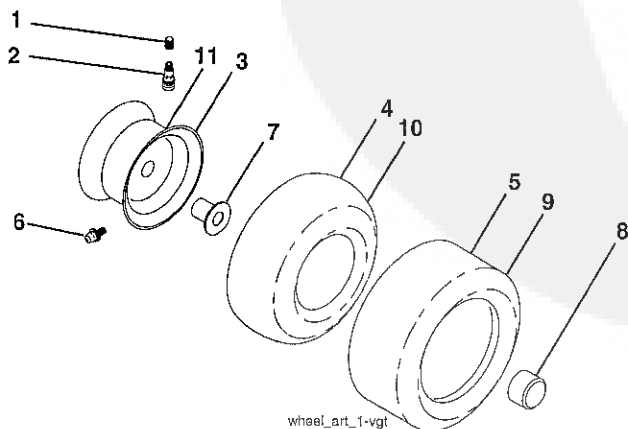
### KEY PART NO. NO.

KEY PART NO.	NO.	DESCRIPTION
1	439525	Decal, Steering
2	581579201	Decal, Reflector Warning
3	441121	Decal, Fender
5	581901301	Decal, Engine HP
6	581578101	Decal, Fender Warning
7	581579101	Decal, Cut Finger
8	421534	Decal, V-Belt Schematic Drive
9	145005	Decal, Battery Warning
10	581579701	Decal, Warning Engine
13	581580001	Decal, Mower V-Belt SCH.
14	581724101	Decal, Fender
15	581578601	Decal, Operator Cruise

### KEY PART NO. NO.

KEY PART NO.	NO.	DESCRIPTION
16	581579601	Decal, Hot Muffler
17	581724001	Decal, Brake/Clutch
18	581578001	Decal, Saddle Brake Parking
--	193226X428	Pad, Footrest LH
--	400981X428	Pad, Footrest RH
--	581724801	Decal, Bypass
--	581724601	Decal, Drawbar Load Limit
--	583970840	Manual, Operator's (Euro)
--	583970830	Manual, Operator's (Scan)
--	583970820	Manual, Operator's (E-Bloc)
--	583970850	Manual, Operator's (Baltic)
--	583970826	Manual, Parts

## WHEELS & TIRES



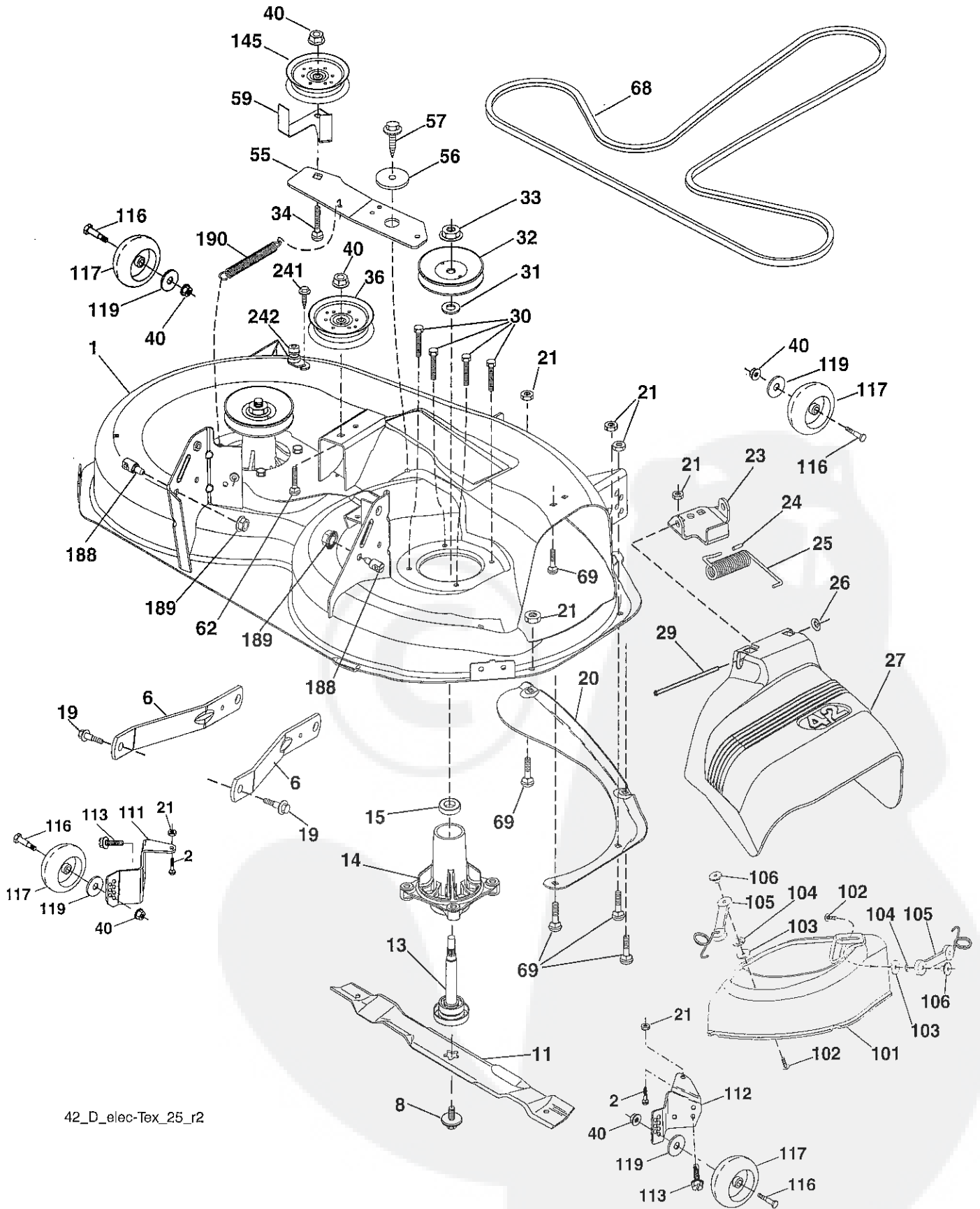
### KEY PART NO. NO.

KEY PART NO.	NO.	DESCRIPTION
1	59192	Cap, Valve, Tire
2	65139	Stem, Valve
3	106732X613	Rim Assembly, Front
4	59904	Tube, Front
5	106222X	Tire, Front
6	278H	Fitting, Grease
7	9040H	Bearing, Flange
8	104757X428	Cap, Axle (Front Wheel Only)
9	138468	Tire, 18 x 9.5-8 TurfSaver LT
10	7152J	Tube, Rear
11	106108X613	Rim Assembly, Rear
--	144334	Sealant, Tire (10 oz. Tube)

**NOTE:** All component dimensions given in U.S. inches  
1 inch = 25.4 mm

# TRACTOR -- MODEL NO. 917.992880

## MOWER



42\_D\_elec-Tex\_25\_r2



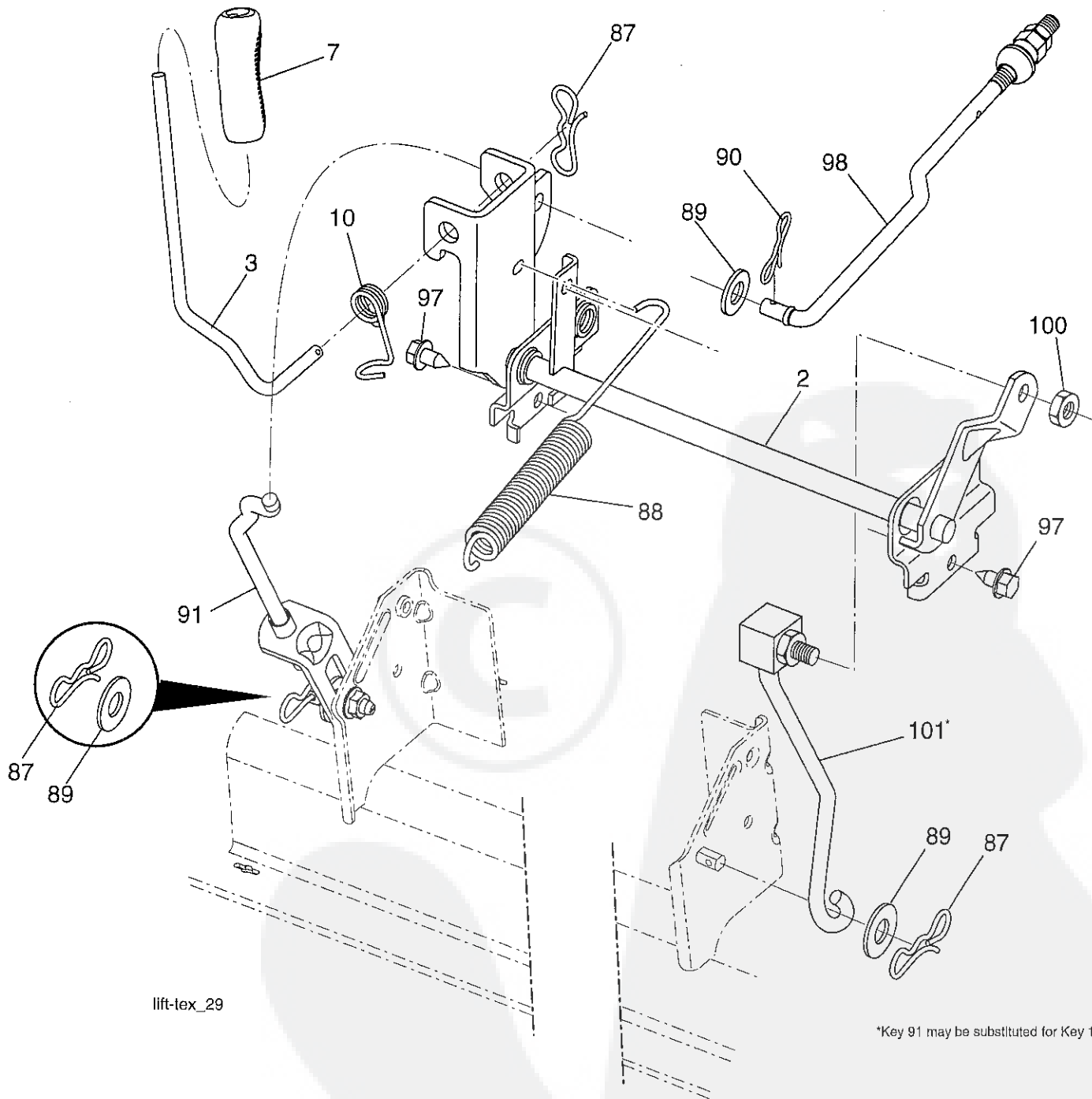
# TRACTOR - - MODEL NO. 917.992880

## MOWER

KEY PART NO.	PART NO.	DESCRIPTION	KEY PART NO.	PART NO.	DESCRIPTION
1	196495X615	Deck Weldment Mower	69	72140505	Bolt
2	72140506	Bolt 5/16-18 x 3/4	101	193107	Cover Mulching
6	195186	Arm Suspension	102	71081010	Screw
8	193003	Bolt/Washer asm 7/16-20 unf	103	19061216	Washer #10
11	424752	Blade, 42" 3NI	104	10071000	Washer Lock #10
13	192872	Shaft Assembly, Mandrel	105	160793	Latch Asm.
14	187281	Housing, Mandrel	106	2029J	Nut Weld
15	110485X	Bearing, Ball, Mandrel	111	404784	Bracket Wheel Gauge LH
19	196539	Bolt, Shoulder	112	404785	Bracket Wheel Gauge RH
20	159770	Baffle Vortex	113	17000510	Bolt 5/16-18
21	73680500	Nut, Crownlock 5/16-18 unc	116	4898H	Bolt, Shoulder
23	192557	Bracket, Deflector	117	188606	Wheel, Gauge
24	105304X	Cap, Sleeve	119	19121414	Washer 3/8 x 7/8 x 14 Ga.
25	197026	Spring, Torsion, Deflector	145	193197	Pulley Idler, Flat
26	110452X	Nut, Push	188	195161	Stud Fastener
27	424469	Shield, Deflector	189	73900500	Nut Lock Hex Flange
29	131491	Rod, Hinge	190	197251	Spring Drive
30	173984	Screw Thdrol Rolling Wsh Hd	241	152927	Screw TT #10-32.5. 3/8 Flange
31	187690	Washer, Spacer	242	415598	Port Washout
32	197473	Pulley, Mandrel	--	192870	Mandrel Assembly (Includes housing (Key #14), shaft assembly (Key #13), and bearing only (Key #15)- pulley/nut/washer and blade bolt/washers not included.)
33	400234	Nut, Toplock, Flanged			
34	72110612	Bolt Carr Sh. 3/8-16 x 1-1/2 Gr. 5			
36	197379	Pulley, Idler			
40	73900600	Nut, Lock Flg. 3/8-16 unc			
55	437110	Arm, Idler	--	584242601	Replacement Mower, Complete
56	199092	Spacer, Retainer			
57	17000616	Screw 3/8-16 x 1			
59	141043	Guard, Tuv Idler			
62	721106016	Bolt Rd Hd Sq Nk 3/8-16 unc x 2			
68	144959	Drive, Belt			

**NOTE:** All component dimensions given in U.S. inches  
1 inch = 25.4 mm

MOWER LIFT



lift-lex\_29

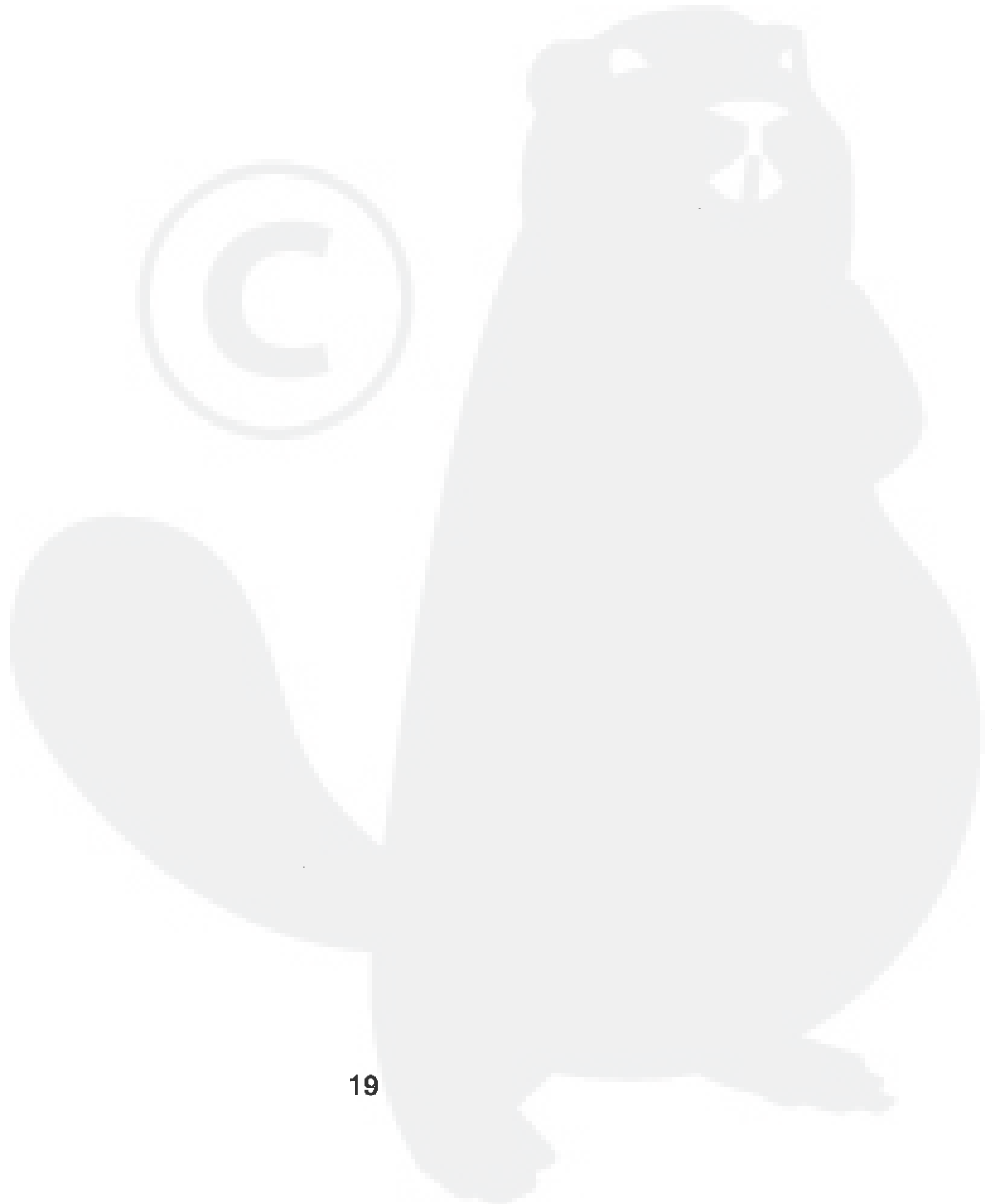
\*Key 91 may be substituted for Key 101

# TRACTOR - - MODEL NO. 917.992880

## MOWER LIFT

KEY NO.	PART NO.	DESCRIPTION
2	422027	Shaft Asm., Lift
3	195231	Lever Asm., Lift RH
7	445060X428	Grip, Lever
10	196314	Spring Torsion
87	194209	Pin Cotter 7/16 Bow Tie Lock
88	410710	Spring Lift Assist
89	19191912	Washer Clear Zinc
90	194208	Pin Cotter 5/16 Bow Tie Lock
91	195181	Link Lift Susp Mower Rear
97	17000612	Screw 3/8-16 x .75
98	195270	Link Lift Susp. Front Mower
100	73930600	Nut Centerlock 3/8-16 unc
101	407003	Link ASm Lift Fxd

**NOTE:** All component dimensions given in U.S. inches  
1 inch = 25.4 mm



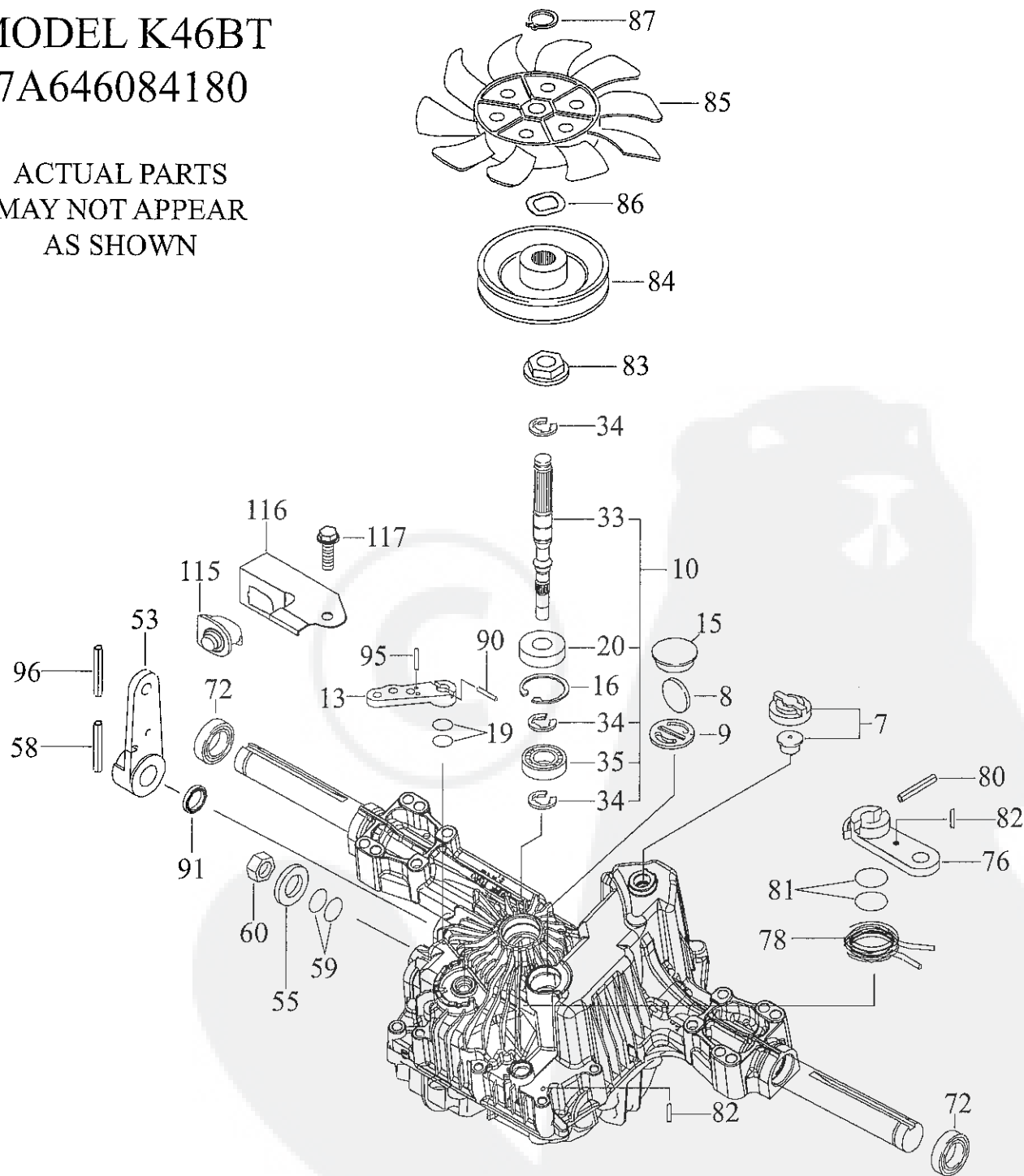
TRACTOR - - MODEL NUMBER 917.992880

TUFF TORQ TRANSAXLE - MODEL NUMBER K46BT

MODEL K46BT

7A646084180

ACTUAL PARTS  
MAY NOT APPEAR  
AS SHOWN



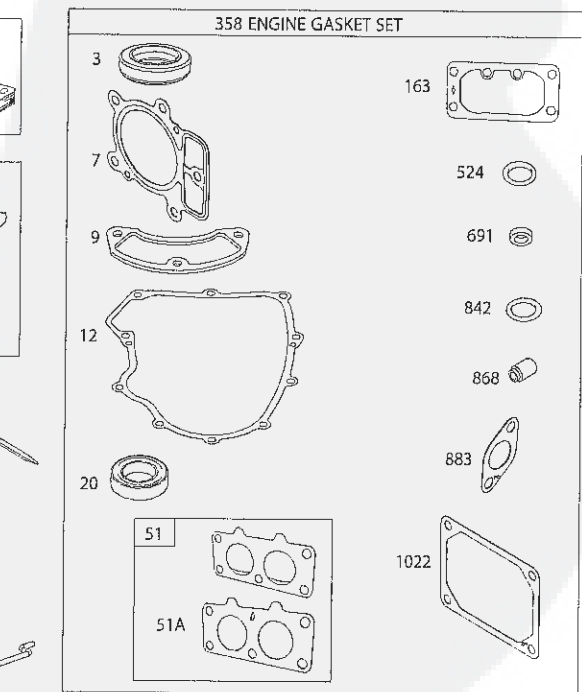
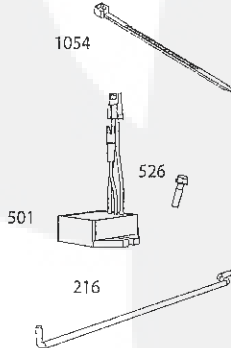
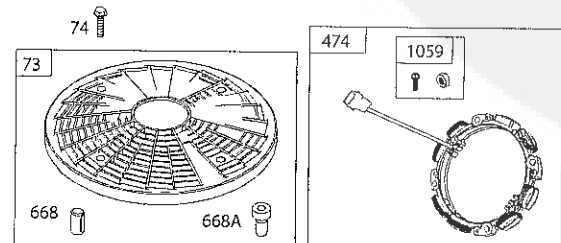
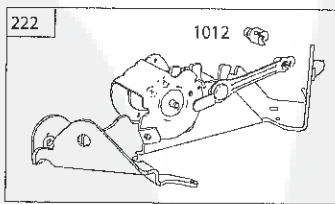
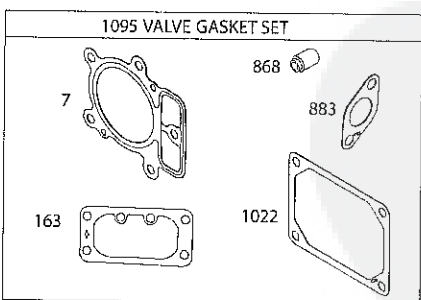
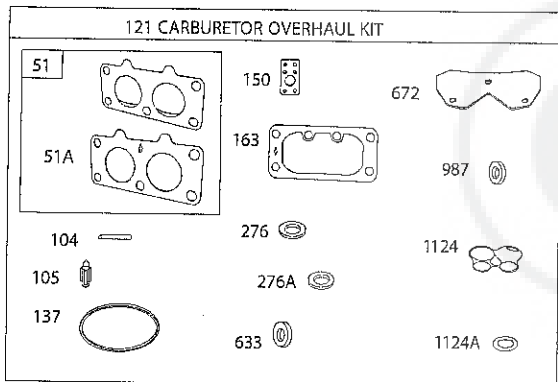
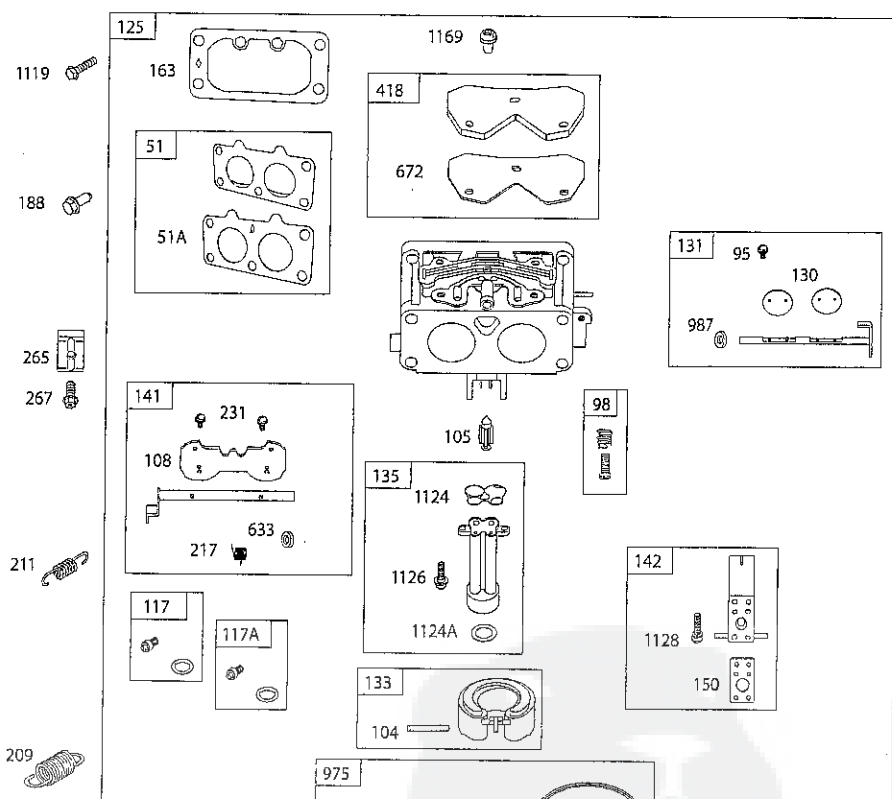
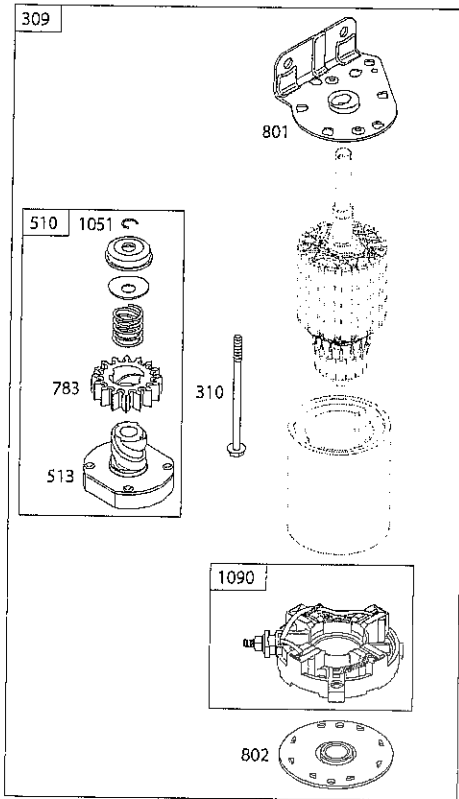
# TRACTOR - - MODEL NUMBER 917.992880

## TUFF TORQ TRANSAXLE - MODEL NUMBER K46BT

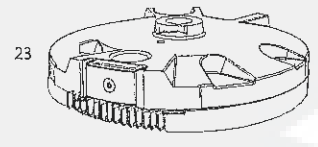
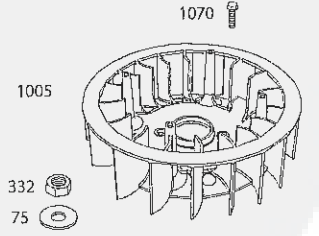
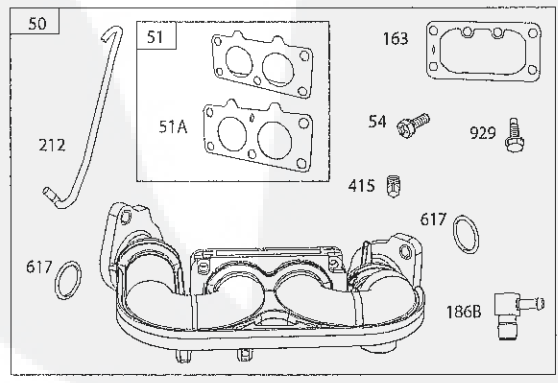
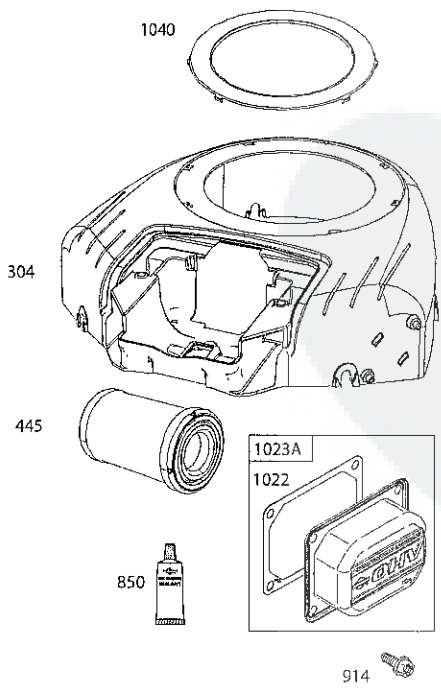
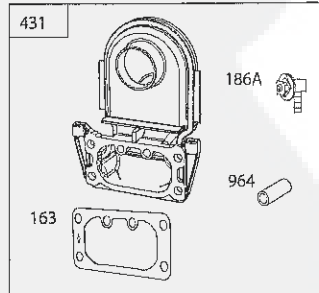
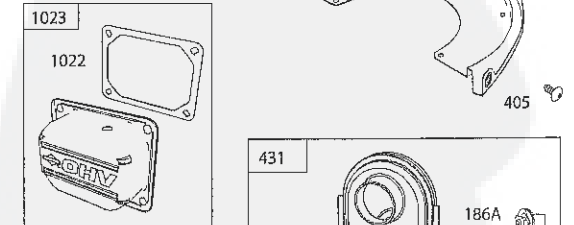
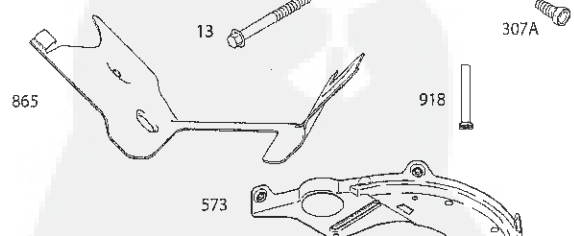
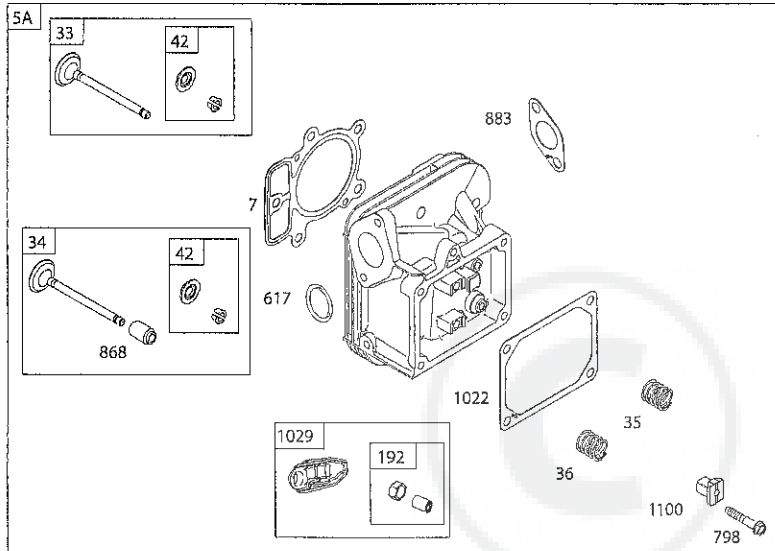
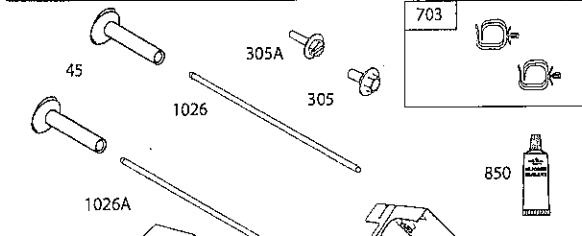
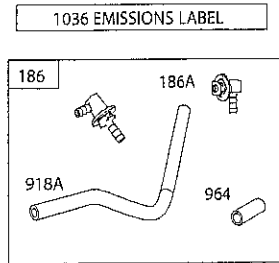
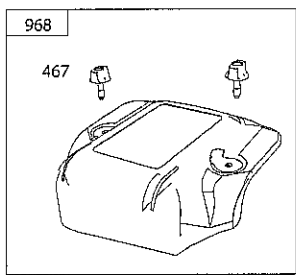
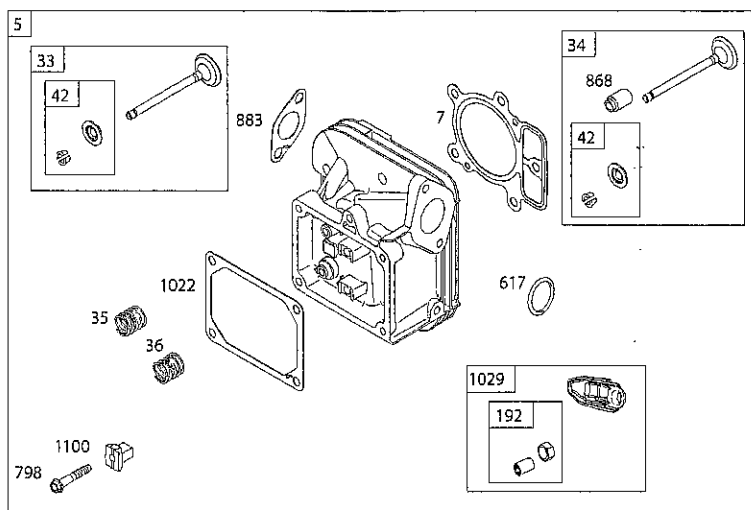
KEY PART NO.	PART NO.	DESCRIPTION
7	414395	Vent Valve 15
8	414396	Magnet
9	414397	Magnet Holder
10	415923	Pump Shaft/bearing Kit
13	414398	Bypass Lever
15	414399	Sealing Cap 30
16	414400	Snap Ring C 35
19	414401	O-ring 1a P10a
20	414402	Seal Tc 153507
33	414403	Pump Shaft (Standard)
34	414404	E-ring 15
35	414405	Bearing 6202c3
53	414431	Control Lever F
55	415924	Washer 12
58	415925	Roll Pin 6 * 40
59	415926	O-ring 1a P14
60	415927	Nut 12
72	414407	Seal 19 * 32 * 8
76	414408	Brake Lever
78	414409	Brake Return Spring
80	414410	Spring Pin 5 * 32
81	414411	O-ring 1a P12
82	414412	Spring Pin 4 * 16
83	414413	Spine Collar
84	414414	Pulley L
85	414415	Fan, Black
86	414416	Wave Washer
87	414417	Snap Ring
90	414418	Spring Pin 3.0a * 20
91	414419	Oil Seal 16 * 22 *.03
95	414850	Spring Pin 3.0a*16
96	414420	Roll Pin 3.5 * 40
115	415928	Switch 6440-11 Delta
116	415929	Switch Bracket
117	415930	Tapping Screw 8 * 20

**NOTE:** All component dimensions given in U.S. inches  
1 inch = 25.4 mm

**TRACTOR - - MODEL NO. 917.992880**  
**BRIGGS & STRATTON ENGINE - - MODEL NUMBER 445677, TYPE NUMBER 3118-G5**



**TRACTOR - - MODEL NO. 917.992880**  
**BRIGGS & STRATTON ENGINE - - MODEL NUMBER 445677, TYPE NUMBER 3118-G5**



# TRACTOR - - MODEL NO. 917.992880

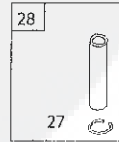
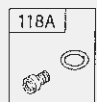
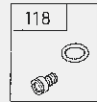
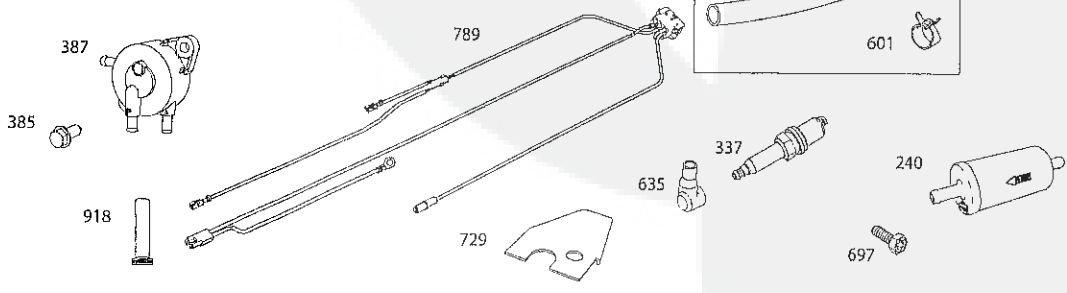
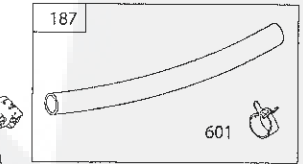
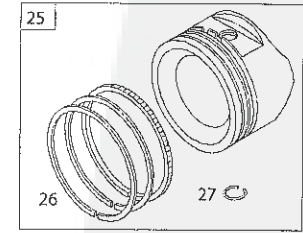
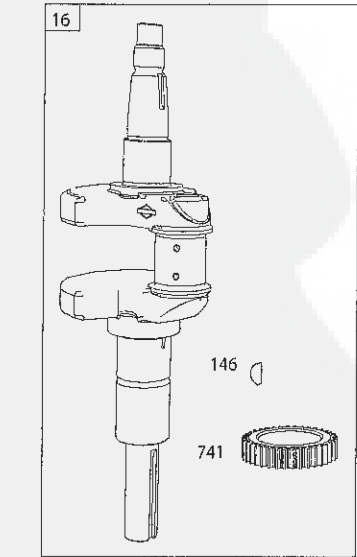
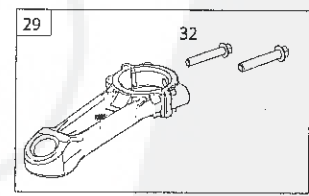
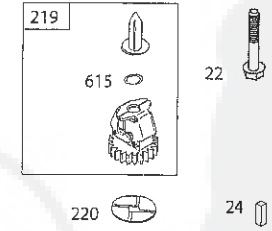
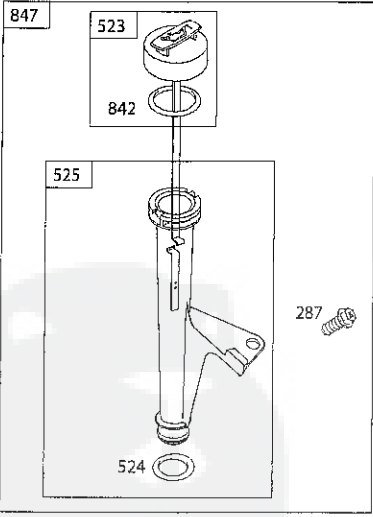
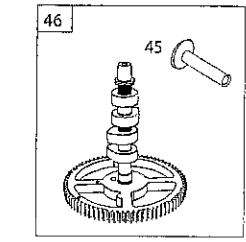
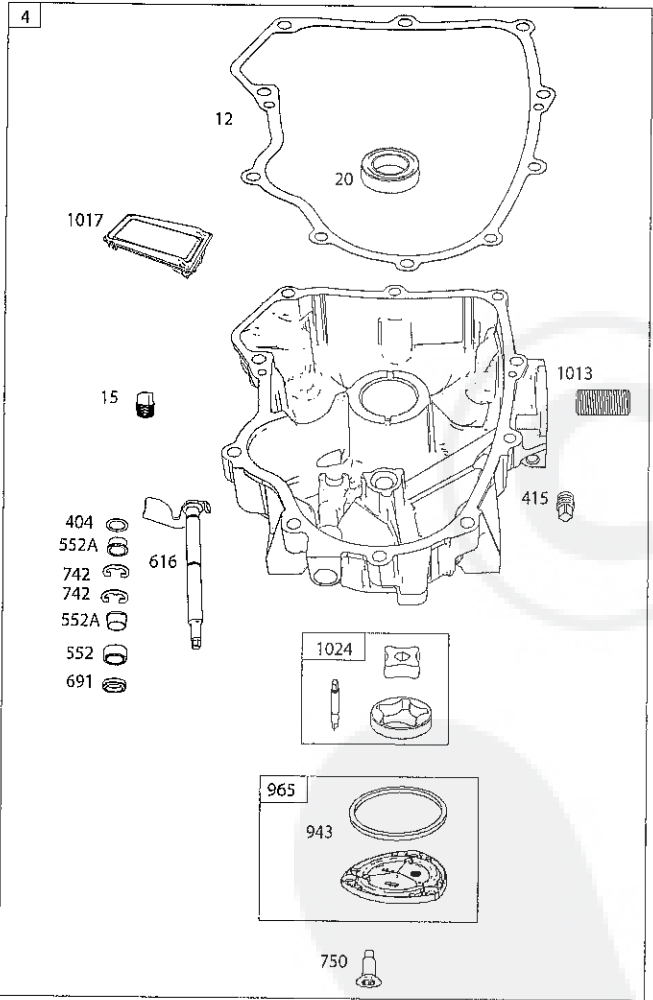
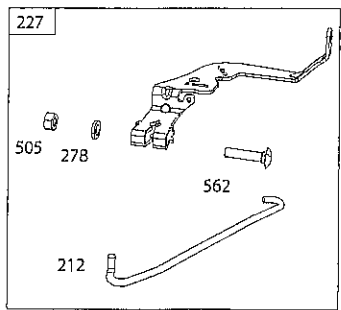
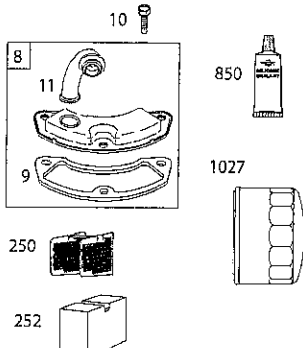
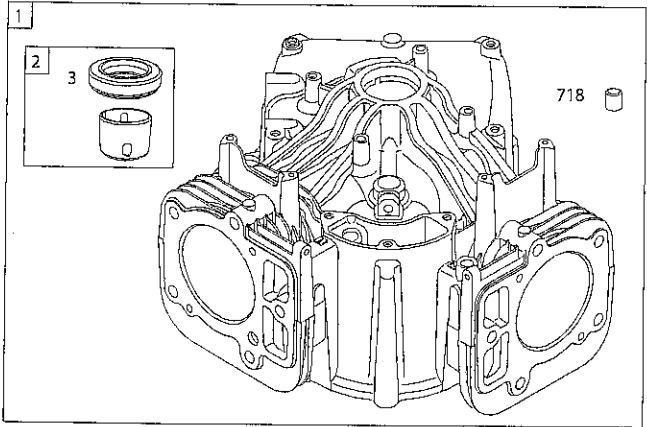
## BRIGGS & STRATTON ENGINE - - MODEL NUMBER 445677, TYPE NUMBER 3118-G5

48 SHORT BLOCK

1058 OPERATOR'S MANUAL

1329 REPLACEMENT ENGINE

1330 REPAIR MANUAL





# TRACTOR - - MODEL NO. 917.992880

## BRIGGS & STRATTON ENGINE - - MODEL NUMBER 445677, TYPE NUMBER 3118-G5

KEY NO.	PART NO.	DESCRIPTION	KEY NO.	PART NO.	DESCRIPTION
1	591695	Cylinder Assembly	125	796227	Carburetor
2	797673	Bushing/Seal Kit (Magneto Side)	130	690993	Valve-Throttle
3	391086s	Seal-Oil (Magneto Side)	131	499805	Kit-Throttle Shaft
4	796307	Sump-Engine	133	699724	Float-Carburetor
5	796231	Head-Cylinder (Cylinder #1)	135	699729	Tube-Fuel Transfer
5A	796232	Head-Cylinder (Cylinder #2)	137	690994	Gasket-Float Bowl
7	693997	Gasket-Cylinder Head	141	796228	Kit-Choke Shaft
8	792185	Breather Assembly	142	699726	Nozzle-Carburetor
9	690937	Gasket-Breather	146	690979	Key-Timing
10	691108	Screw (Breather Assembly)	150	690995	Gasket-Nozzle
11	792184	Tube-Breather	163	691001	Gasket-Air Cleaner
12	591911	Gasket-Crankcase	186	799158	Hose-Connector (EVAP System)
13	793988	Screw (Cylinder Head)	186A	845141	Hose-Connector (EVAP System)
15	690946	Plug-Oil Drain	186B	795985	Hose-Connector (Intake Manifold)
16	796237	Crankshaft	187	791766	Line-Fuel (Cut to Required Length)
20	795387	Seal-Oil (PTO Side)	188	691108	Screw (Control Bracket)
22	694966	Screw (Crankcase Cover/Sump)	192	690083	Adjuster-Rocker Arm
23	691053	Flywheel	209	799169	Spring-Governor (Dark Blue)
24	222698s	Key-Flywheel (Aluminum)	211	691019	Spring-Governed Idle (No Color)
25	792023	Piston Assembly (Standard)	212	695238	Link-Throttle
	792072	Piston Assembly (.020" Oversize)	216	796229	Link-Choke
26	792026	Ring Set (Standard)	217	799771	Spring-Choke Return
	792073	Ring Set (.020" Oversize)	219	793338	Gear-Governor
27	690975	Lock-Piston Pin	220	799772	Washer (Governor Gear)
28	696581	Pin-Piston	221	841026	Cup-Governor
29	796209	Rod-Connecting	222	798915	Bracket-Control
32	690976	Screw (Connecting Rod)	227	798856	Lever-Governor Control
33	697576	Valve-Exhaust	231	690718	Screw (Choke Valve)
34	792200	Valve-Intake	240	691035	Filter-Fuel
35	694865	Spring-Valve (Intake)	250	690957	Retainer-Breather
36	694865	Spring-Valve (Exhaust)	252	794389	Collector-Oil
42	499586	Keeper-Valve	265	691024	Clamp-Casing
45	690977	Tappet-Valve	267	792629	Screw (Casing Clamp)
46	792555	Camshaft	276	695410	Washer-Sealing
48	N/A	Short Block (Not Available at this Printing)	278	792651	Washer (Governor Control Lever)
			287	697551	Screw (Dipstick Tube)
50	591784	Manifold-Intake	304	591656	Housing-Blower
51	795123	Gasket-Intake	305	691005	Screw (Blower Housing) (1/4-20x.68)
51A	690950	Gasket-Intake	305A	790690	Screw (Blower Housing to Intake Elbow) (#10-16x.62)
53	690951	Stud (Carburetor)			
54	699816	Screw (Intake Manifold)	306	591666	Shield-Cylinder (Cylinder #2)
73	494439	Screen-Rotating	306A	796852	Shield-Cylinder (Cylinder #1)
74	698425	Screw (Rotating Screen)	307	691003	Screw (Cylinder Shield) (#10-24x.43)
75	691056	Washer (Flywheel)	307A	691108	Screw (Cylinder Shield) (1/4-20x.66)
95	690718	Screw (Throttle Valve)	309	497595	Motor-Starter
98	699721	Kit-Idle Speed	310	690323	Screw (Starter Motor)
104	694918	Pin-Float Hinge	332	691059	Nut (Flywheel)
105	797410	Valve-Float Needle	333	799651	Armature-Magneto
108	699723	Valve-Choke	334	691061	Screw (Magneto Armature)
117	792296	Jet-Main (Standard) (Left Jet)	337	691043	Plug-Spark
117A	842627	Jet-Main (Standard) (Right Jet)	358	694012	Gasket Set-Engine
118	699457	Jet-Main (High Altitude) (Left Jet)	385	797409	Screw (Fuel Pump)
118A	699733	Jet-Main (High Altitude) (Right Jet)	387	808656	Pump-Fuel
121	797890	Kit-Carburetor Overhaul	404	690442	Washer (Governor Crank)
			197	697820	Screw (Back Plate)

# TRACTOR - - MODEL NO. 917.992880

**BRIGGS & STRATTON ENGINE - - MODEL NUMBER 445677, TYPE NUMBER 3118-G5**

KEY NO.	PART NO.	DESCRIPTION	KEY NO.	PART NO.	DESCRIPTION
415	794903	Plug	965	796221	Cover-Oil Pump
418	795912	Plate-Carburetor	968	591658	Cover-Air Cleaner
431	591661	Elbow-Intake	975	798778	Bowl-Fuel
445	591334	Filter-Air Cleaner Cartridge	987	691000	Seal-Throttle Shaft
447	691003	Screw (Air Guide Cover)	1005	791236	Fan-Flywheel
467	591660	Knob-Air Cleaner	1012	797926	Retainer-Link
474	696458	Alternator	1013	690954	Nipple-Oil Filter
501	845907	Regulator	1017	796214	Screen-Oil Pump
505	691029	Nut (Governor Control Lever)	1022	690971	Gasket-Rocker Cover
510	696541	Drive-Starter	1023	793146	Cover-Rocker (Cylinder #1)
513	692024	Clutch-Drive	1023A	499600	Cover-Rocker (Cylinder #2)
523	691036	Dipstick	1024	796220	Pump-Oil
524	691032	Seal-Dipstick Tube	1026	690981	Rod-Push (Steel) (Exhaust)
525	691037	Tube-Dipstick	1026A	690982	Rod-Push (Aluminum) (Intake)
526	691108	Screw (Regulator)	1027	492932s	Filter-Oil
552	796638	Bushing-Governor Crank	1029	690972	Arm-Rocker
552A	690553	Bushing-Governor Crank	1036		Label-Emissions (Available from a Briggs & Stratton Authorized Dealer)
562	690311	Screw (Governor Control Lever)			Plate-Trim
573	790444	Plate-Back	1040	791237	Ring-Retaining
601	691038	Hose-Clamp (Black)	1051	691265	Tie-Cable
615	698290	Retainer-Governor Shaft	1054	280275	Operator's Manual
616	691045	Crank-Governor	1058	278776TRI	Kit-Screw/Washer (Alternator)
617	697891	Seal-O Ring (Intake Manifold) (Red)	1059	698516	Screw (Flywheel Fan)
633	699813	Seal-Choke/Throttle Shaft (Choke Shaft)	1070	791680	Retainer-Brush
635	66538s	Boot-Spark Plug	1090	691293	Gasket Set-Valve
654	690958	Nut (Carburetor)	1095	694013	Pivot-Rocker Arm
668	691215	Spacer (Rotating Screen)	1100	791959	Screw (Alternator)
668A	691500	Spacer (Rotating Screen)	1119	691183	Seal-O Ring (Fuel Transfer Tube)
672	690234	Gasket-Carburetor Plate	1124	690988	Seal-O Ring (Fuel Transfer Tube)
691	790574	Seal-Governor Shaft	1124A	841653	Screw (Fuel Transfer Tube)
697	591909	Screw (Drive Cap)	1126	690991	Screw (Float Bowl)
703	691010	Clip	1127	695407	Screw (Carburetor Nozzle)
718	690959	Pin-Locating	1128	690990	Screw (Carburetor Cover Plate)
729	797454	Clip-Wire	1169	690990	
741	690980	Gear-Timing	1329	44Q777-	
742	690328	Retainer-E Ring		3137-G5	Replacement Engine
750	796208	Screw (Oil Pump Cover)	1330	273521	Repair Manual
783	695708	Gear-Pinion			
789	591392	Harness-Wiring			
798	697890	Screw (Rocker Arm)			
801	691283	Cap-Drive			
802	691286	Cap-End			
842	691031	Seal-O Ring (Dipstick)			
847	499602	Dipstick/Tube Assembly			
850	100106	Sealant-Liquid			
851	493880s	Terminal-Spark Plug			
865	591667	Cover-Air Guide (Valley)			
868	690968	Seal-Valve			
883	690970	Gasket-Exhaust			
914	691127	Screw (Rocker Cover)			
918	797408	Hose-Vacuum			
918A	799160	Hose-Vacuum (EVAP System)			
943	796222	Seal-O Ring (Oil Pump Cover)			
947	798779	Solenoid-Fuel			
964	799159	Cap-Connector			

Carburetor Overhaul Kit      Key No. 121  
 Engine Gasket Set            Key No. 358  
 Valve Gasket Set                Key No. 1095

**NOTE:** All component dimensions given in U.S. inches.  
 1 inch = 25.4 mm

---

# SERVICE NOTES

---



### **LIMITED WARRANTY ON CRAFTSMAN RIDING EQUIPMENT**

For two (2) years from the date of purchase, if this Craftsman Riding Equipment is maintained, lubricated and tuned up according to the instructions in the owner's manual, Sears will repair or replace free of charge any parts that are found to be defective in material or workmanship according to the guidelines of coverage listed below. Sears will also provide free labor for these applicable warranted parts for the two full years. During the first 30 days of purchase, there will be no charges to service the product at your home for issues covered by this warranty. (See exclusions below). For your convenience, IN HOME warranty service will still be available after the first 30 days of purchase, but a trip charge will apply. This charge will be waived if the Craftsman product is dropped off at an authorized Sears location. For the nearest authorized Sears location, please call 1-800-4-MY-HOME®. This warranty applies only while this product is within the United States.

This Warranty does not cover:

- Expendable items which become worn during normal use, including but not limited to blades, spark plugs, air cleaners, belts, and oil filters.
- Standard Maintenance Servicing, oil changes, or tune-ups
- Tire replacement or repair caused by punctures from outside objects, such as nails, thorns, stumps, or glass.
- Repairs necessary because of operator abuse, including but not limited to, damage caused by towing objects beyond the capability of the riding equipment, impacting objects that bend the frame or crankshaft, or over-speeding the engine.
- Repairs necessary because of operator negligence, including but not limited to, electrical and mechanical damage caused by improper storage, failure to use the proper grade and amount of engine oil, failure to keep the deck clear of flammable debris, or failure to maintain the equipment according to the instructions contained in the owner's manual.
- Engine (fuel system) cleaning or repairs caused by fuel determined to be contaminated or oxidized (stale). In general, fuel should be used within 30 days of its purchase date.
- Normal deterioration and wear of the exterior finishes, or product label replacement.
- Riding equipment used for commercial or rental purposes.

### **LIMITED WARRANTY ON BATTERY**

For ninety (90) days from date of purchase, if any battery included with this riding equipment proves defective in material or workmanship and our testing determines the battery will not hold a charge, Sears will replace the battery at no charge. During the first 30 days of purchase, there will be no charges to replace the battery at your HOME. After the first 30 days, for your convenience, IN-HOME warranty service will still be available but a trip charge will apply. This charge will be waived if the Craftsman product is dropped off at an authorized Sears location. For the nearest authorized Sears location, please call 1-800-4-MY-HOME®.

This battery warranty applies only while this product is within the United States.

This warranty gives you specific legal rights, and you may also have other rights, which vary, from state to state.

Sears, Roebuck and Co., Dept. 817WA, Hoffman Estates, IL 60179

**CRAFTSMAN®**