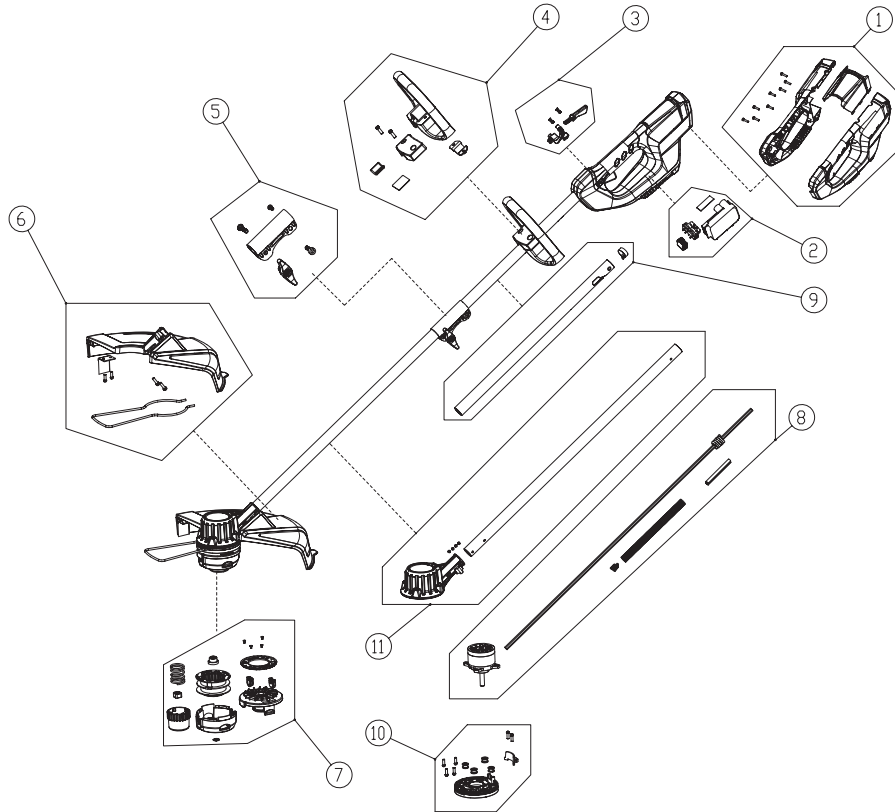




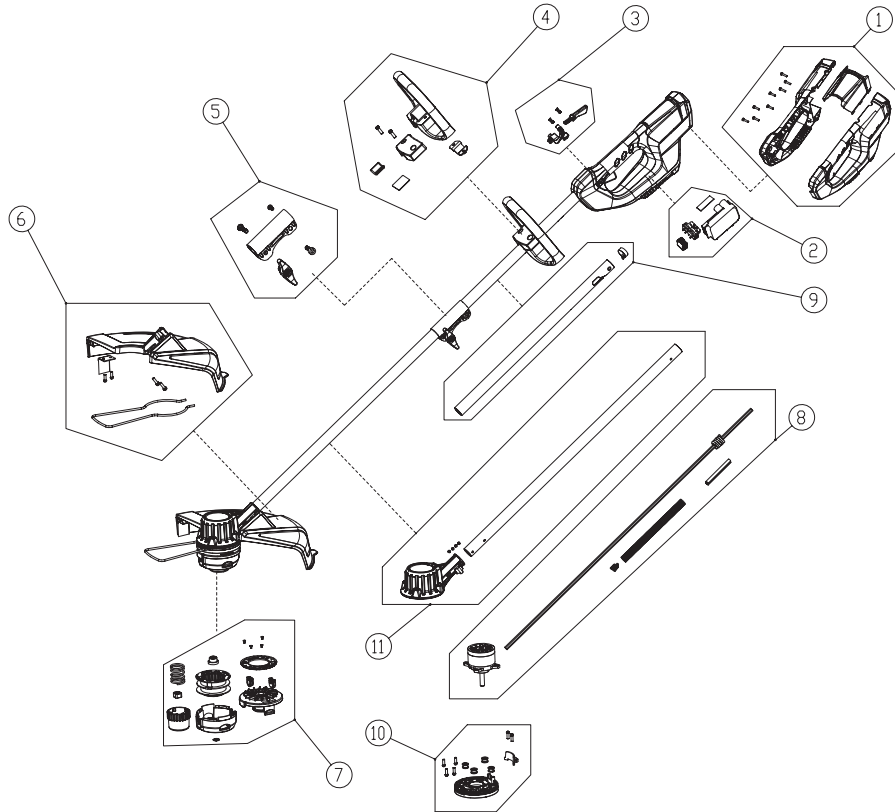
# String Trimmer 40T07 2100986



POSITION	PNC	DESCRIPTION	QTY	UOM
1	RA341051426C	Handle assembly	1	set
1-1		Left handle	1	pcs
1-2		Handle decorative cover	1	pcs
1-3		Right handle	1	pcs
1-4		screw ST4×16-F	8	pcs
2	RA362011428	PCB assembly	1	set
2-1		PCB	1	pcs
2-2		Casing insert seat	1	pcs
2-3		Speed regulation switch	1	pcs
2-4		Male terminal	1	pcs
2-5		Female terminal	4	pcs
2-6		Thrinkable tube φ5	16	cm
2-7		Foam pad	1	pcs
3	RA341071726C	Switch trigger assembly	1	set
3-1		switch trigger	1	pcs
3-2		Reverse self-locking spring	2	pcs
3-3		Reverse self-locking button	1	pcs
4	RA34105836V2	Auxiliary handle assembly	1	set
4-1		Auxiliary handle	1	pcs
4-2		Auxiliary handle cover	1	pcs
4-3		Rubber ring	1	pcs
4-4		Clamp plate	1	pcs
4-5		M5x25 bolt washer combination	2	pcs
4-6		Square rubber	1	pcs
5	RA333031437	Iron pipe assembly	1	set
5-1		Iron pipe	1	pcs
5-2		Cross recess pan head screw M5X9	1	pcs
5-3		Bolt	1	pcs
5-4		Screw	1	pcs
5-5		T Shape Knob	1	pcs
5-6		Spring washer	1	pcs
6	RA341101429C	Guard cover assembly	1	set
6-1		Guard	1	pcs

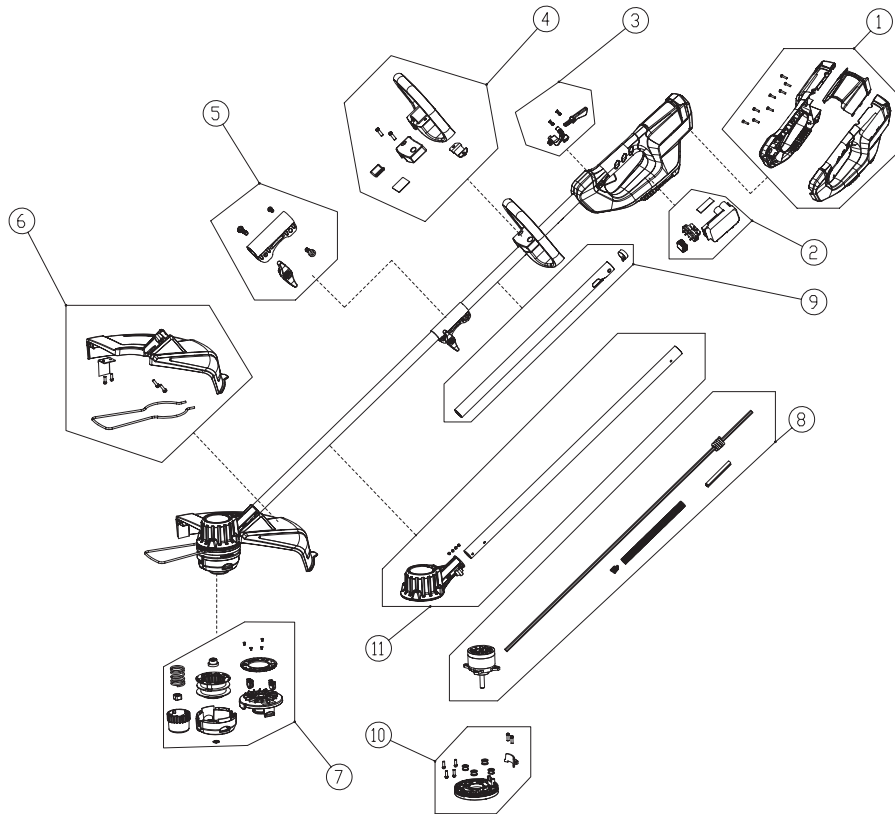


# String Trimmer 40T07 2100986



POSITION	PNC	DESCRIPTION	QTY	UOM
6-2		Two-way blade	1	pcs
6-3		Screw ST5x16	2	pcs
6-4		Plant Protector	1	pcs
6-5		Screw ST5x22	2	pcs
6-6		Spring washer 5	2	pcs
7	RA341011429V1	Trimmer head assembly	1	set
7-1		Spring	1	pcs
7-2		Spool	1	pcs
7-3		Bushing	1	pcs
7-4		Screw ST3*8-F	4	pcs
7-5		Fan	1	pcs
7-6		Aluminium string hole	2	pcs
7-7		Base	1	pcs
7-8		spool cover	1	pcs
7-9		Bump feed	1	pcs
7-10		Circlip	1	pcs
7-11		Square nut	1	pcs
7-12		Nylon wire	1	pcs
8	RA361011428	Motor assembly	1	set
8-1		Male terminal	3	pcs
8-2		Corrugated pipe	1	pcs
8-3		Black belt	2	pcs
8-4		Three Spring Cable	1	pcs
8-5		Sleeveφ8	1	pcs
8-6		U-piece 3*4	6	cm
8-7		Shrinkable tube φ5	12	cm
8-8		Shockproof rubber	4	pcs
8-9		motor for 6420 brushless top-mounted string trimmer	1	pcs
9	RA333032472A	Upper rod assembly	1	set
9-1		Upper rod	1	pcs
9-2		Hoop	1	pcs
10	RA341071429C	Motor housing cover assembly	1	set

**CRAMER** String Trimmer 40T07 2100986



POSITION	PNC	DESCRIPTION	QTY	UOM
10-1		screw ST4*20-F	4	pcs
10-2		Screw ST4*16-F	2	pcs
10-3		Screw M4*10	2	pcs
10-4		Motor housing cover	1	pcs
10-5		Special-shaped Clamp plate	1	pcs
11	RA333021429	Lower rod assembly	1	set
11-1		Lower rod	1	pcs
11-2		Blind rivet	4	pcs
11-3		Housing	1	pcs

