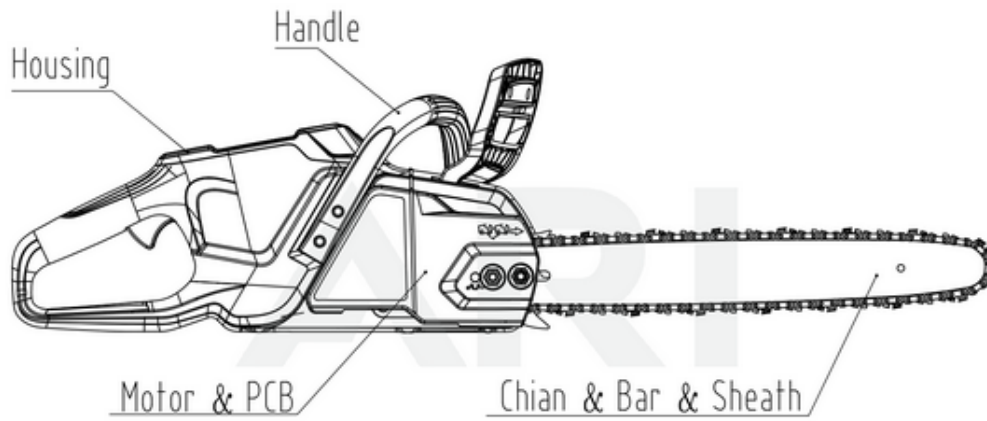


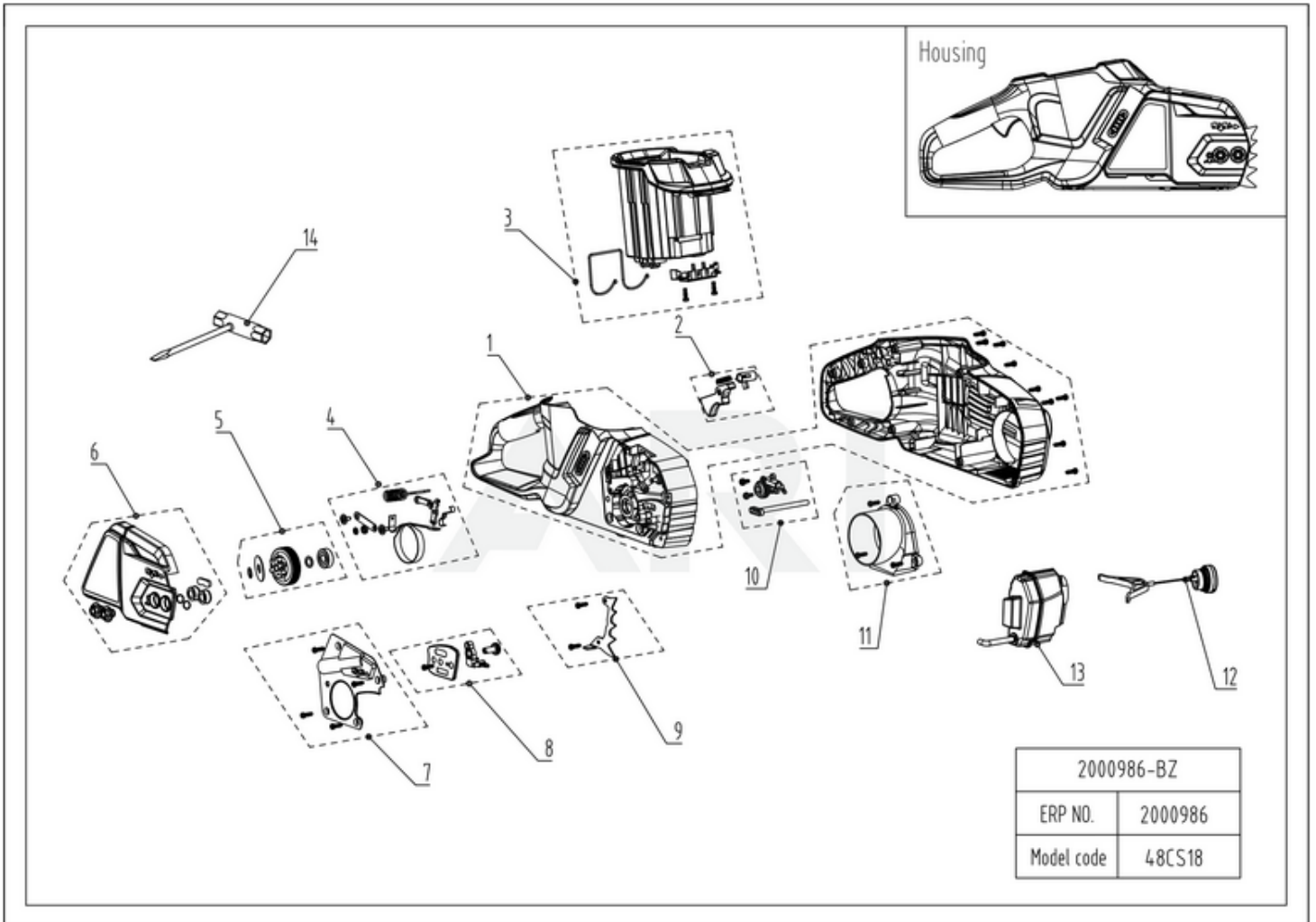
48V Chainsaw 48CS18 2000986 6952909076737 - 01 Overview



2000986-BZ	
ERP NO.	2000986
Model code	48CS18

Page design © 2004-2017 by ARI Network Services, Inc.

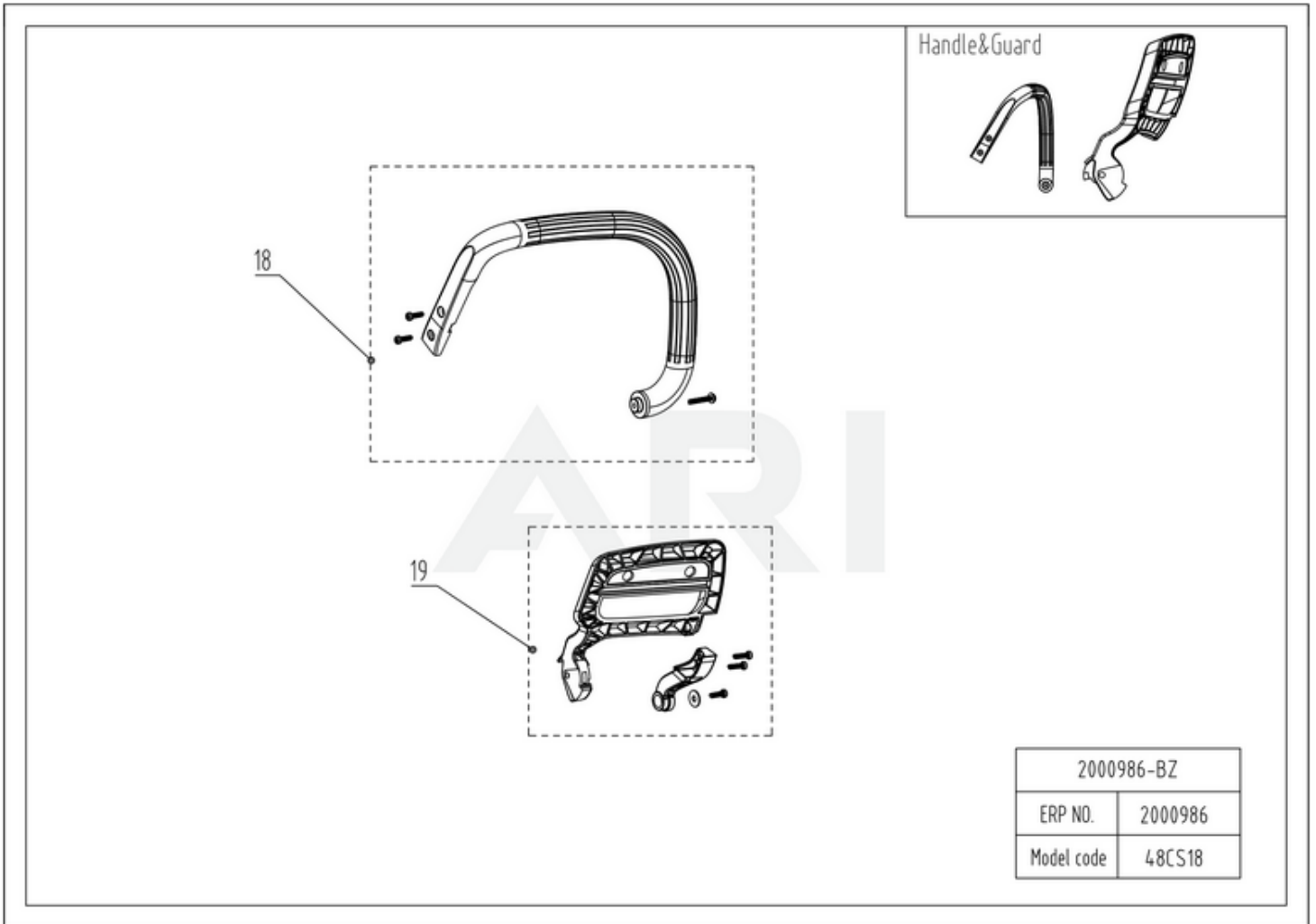
48V Chainsaw 48CS18 2000986 6952909076737 - 02 Housing



Page design © 2004-2017 by ARI Network Services, Inc.

Ref #	Part #	Description	Qty	Context Note
1	R0101814-00	Housing assembly	1	SET
2	R0101815-00	Switch trigger assembly	1	SET
3	R0101816-00	Battery box assembly	1	SET
4	RA311072029	Mechanical brakes assembly	1	set
5	R0100329-00	Chain wheel assembly	1	set
6	R0101817-00	Side cover assembly	1	SET
7	R0100106-00	Middle Cover assembly	1	SET
8	R0100017-00	Tensioner Assembly	1	SET
9	R0100113-00	Bumper Spike assembly	1	SET
10	RA34900590B	Oil pump assembly	1	SET
11	R0100112-00	Ventilation hood assembly	1	SET
12	RA311052703	Oil tank Knob assembly	1	SET
13	R0100014-00	Oil tank assembly	1	SET
14	R0100107-00	Spanner	1	SET

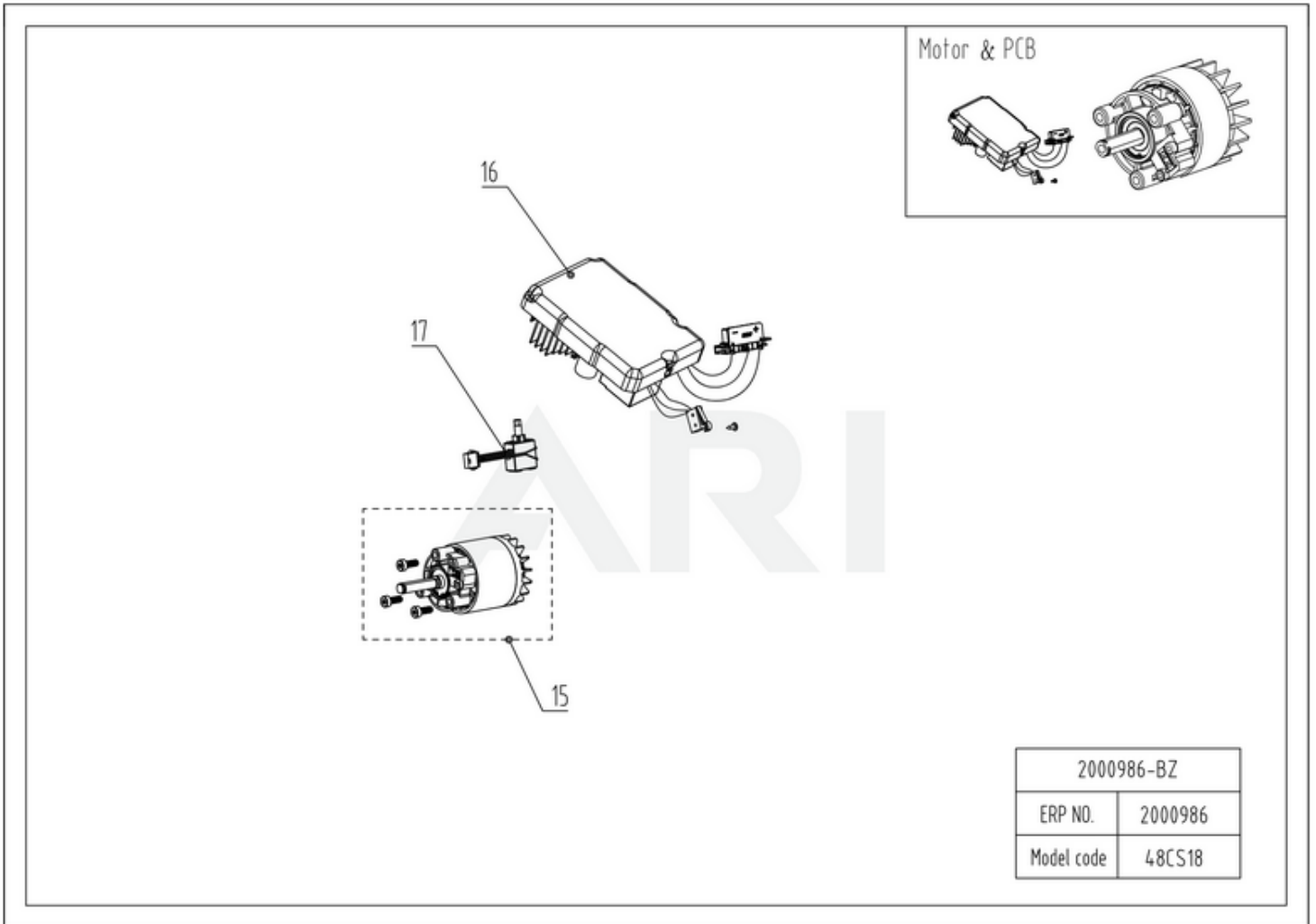
48V Chainsaw 48CS18 2000986 6952909076737 - 03 Handle



Page design © 2004-2017 by ARI Network Services, Inc.

Ref #	Part #	Description	Qty	Context	Note
18	R0100010-00	Auxiliary Handle assembly	1	SET	
19	R0100116-00	Front Guard assembly	1	SET	

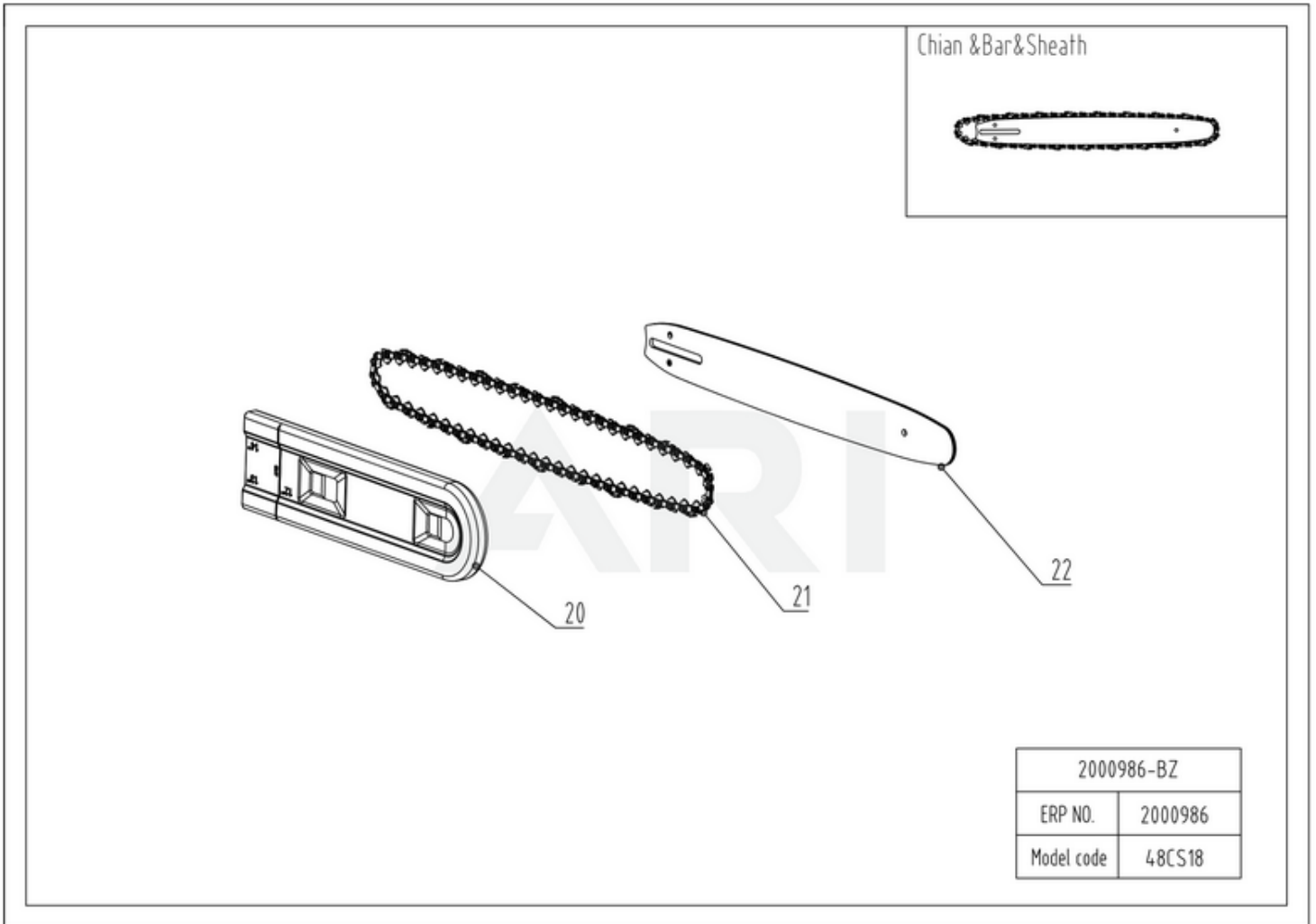
48V Chainsaw 48CS18 2000986 6952909076737 - 04 Motor & PCB



Page design © 2004-2017 by ARI Network Services, Inc.

Ref #	Part #	Description	Qty	Context	Note
15	RA361012025B	Motor assembly	1	SET	
16	R0101818-00	PCBA	1	SET	
17	RA36300590V	Switch1	1	SET	

48V Chainsaw 48CS18 2000986 6952909076737 - 05 Chain & Bar



Page design © 2004-2017 by ARI Network Services, Inc.

Ref #	Part #	Description	Qty	Context	Note
20	RA341182031	Blade sheath	1		set
21	RA311232030	Saw Chain	1		set
22	RA31100590J	Chain bar	1		set