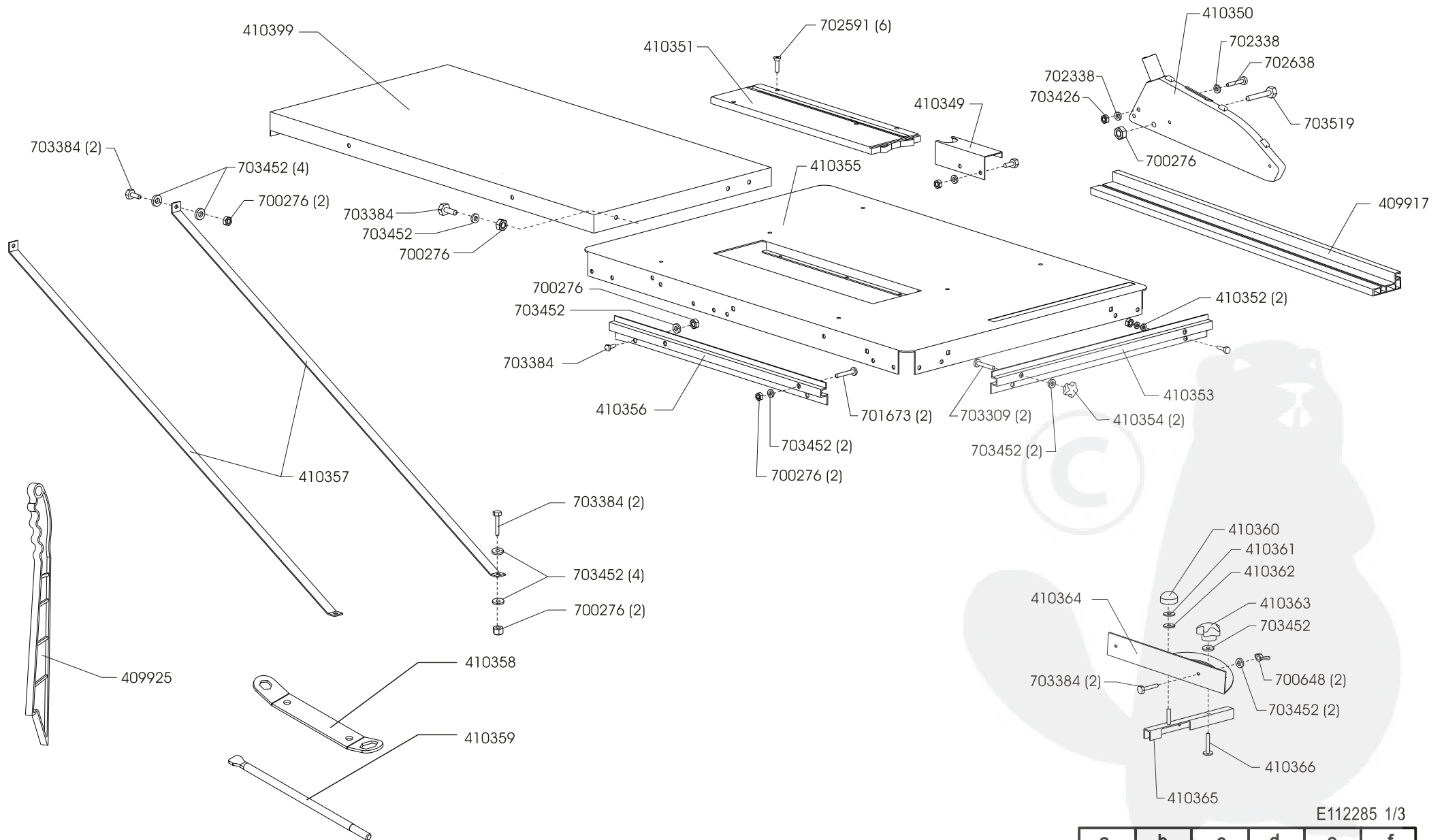


TSL 2000 W

Art. 112285

ALKO

Garten+Hobby

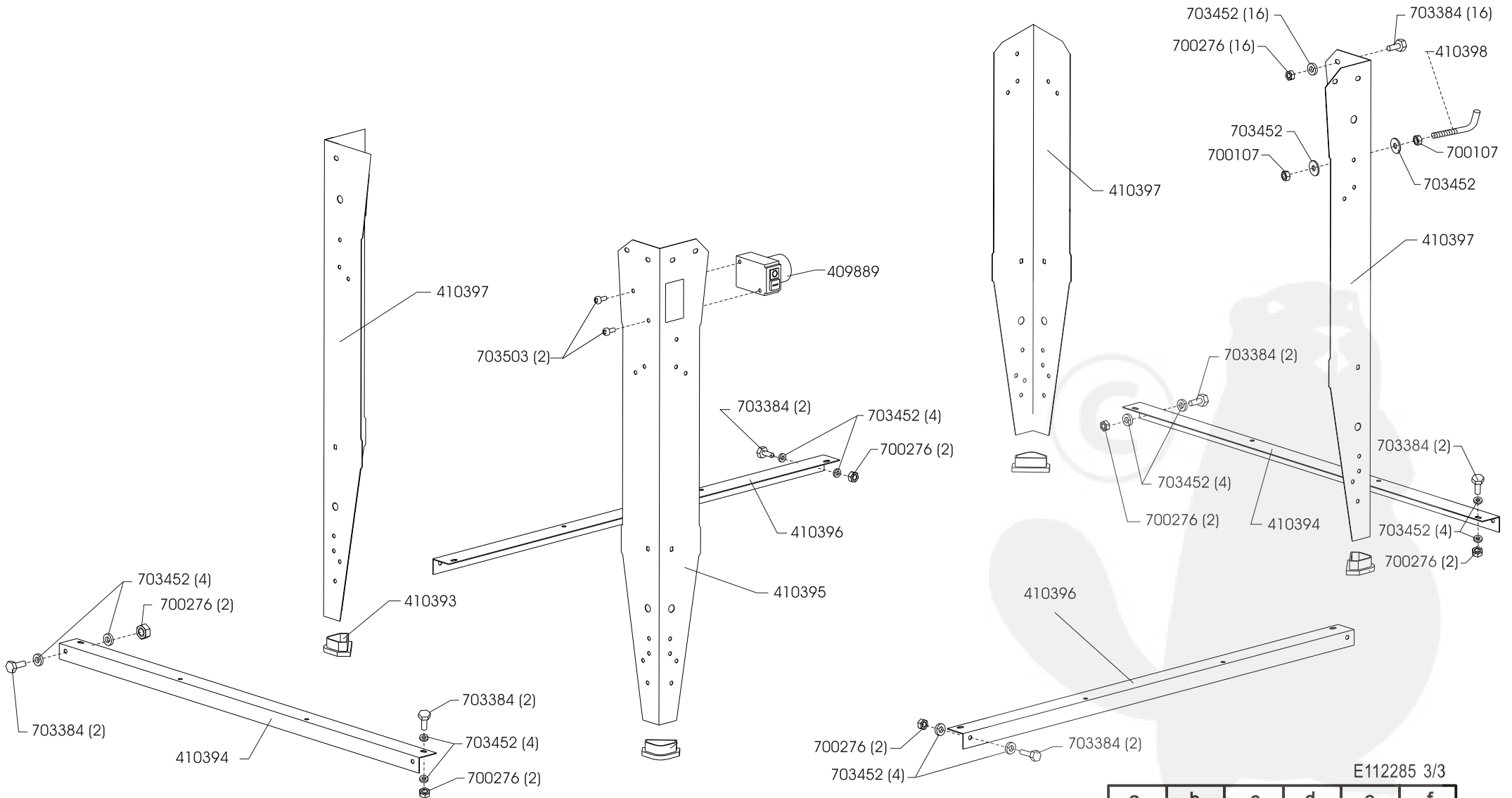


E112285 1/3

a	b	c	d	e	f
03/04					

TSL 2000 W

Art. 112285



a	b	c	d	e	f
---	---	---	---	---	---