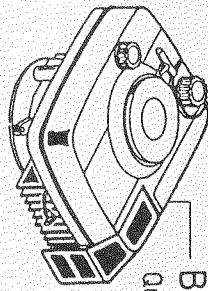


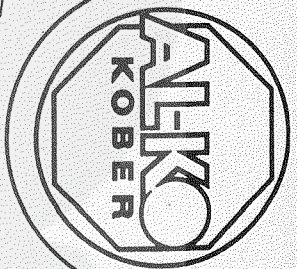
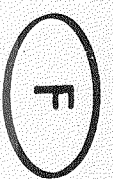
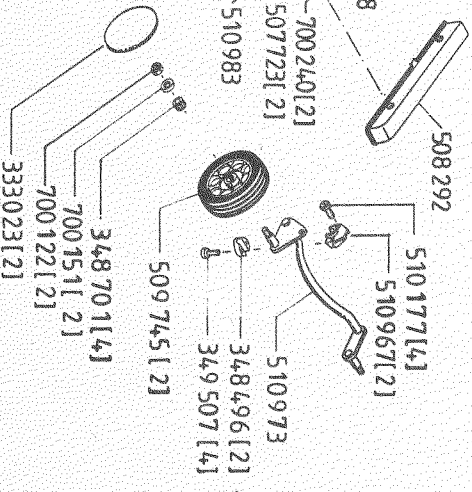
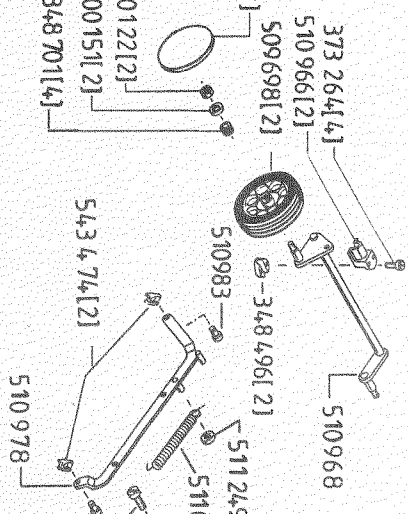
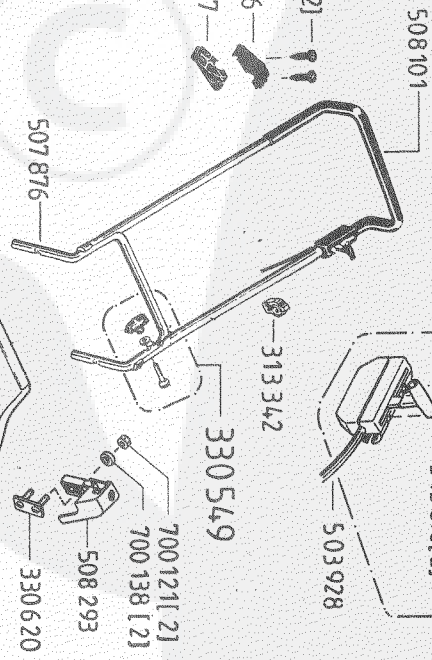
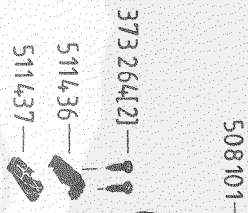
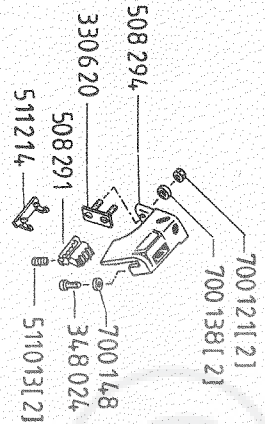
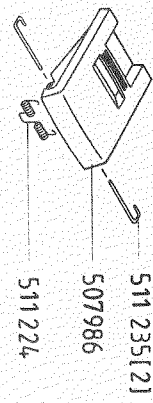
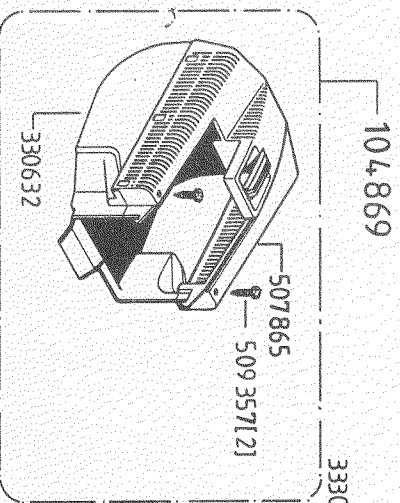
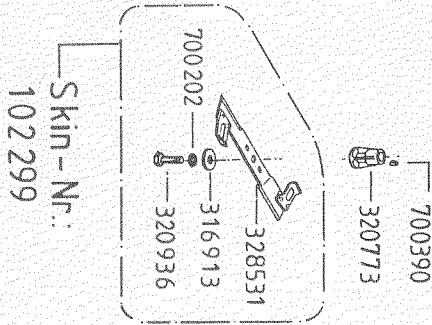
SUNLINE GL 480 B

104 909



Briggs & Stratton
Quantum XM 40
AL-KO-No: 504 796

- 500073 [2] - [Screw]
- 344 728 [2] - [Screw]
- 700 108 - [Screw]
- 700 128 - [Screw]
- 70 1625 - [Screw]



515 385

a	b	c	d	e	f
01/93	01/94				