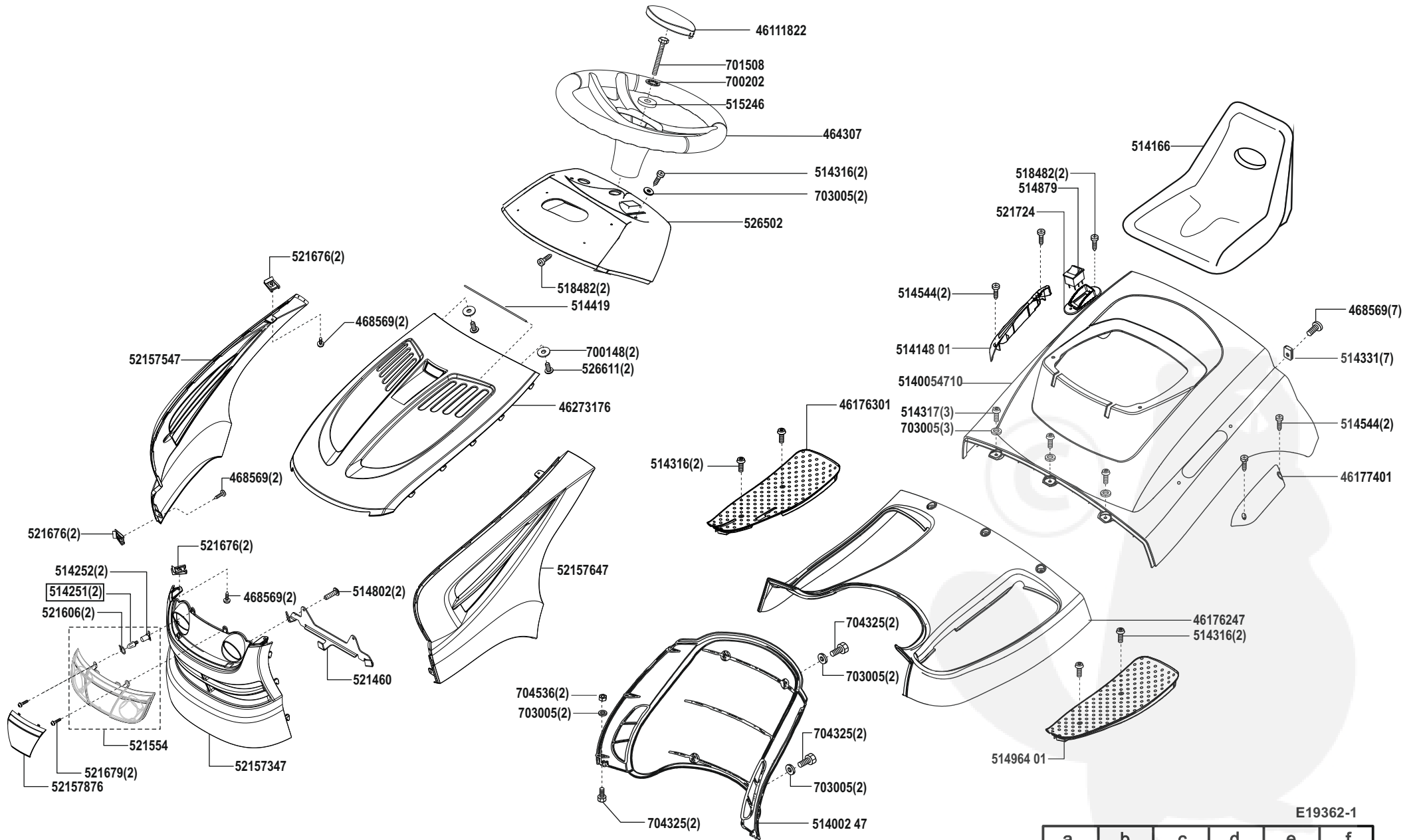


Crossover 102/15h

Art. 119362

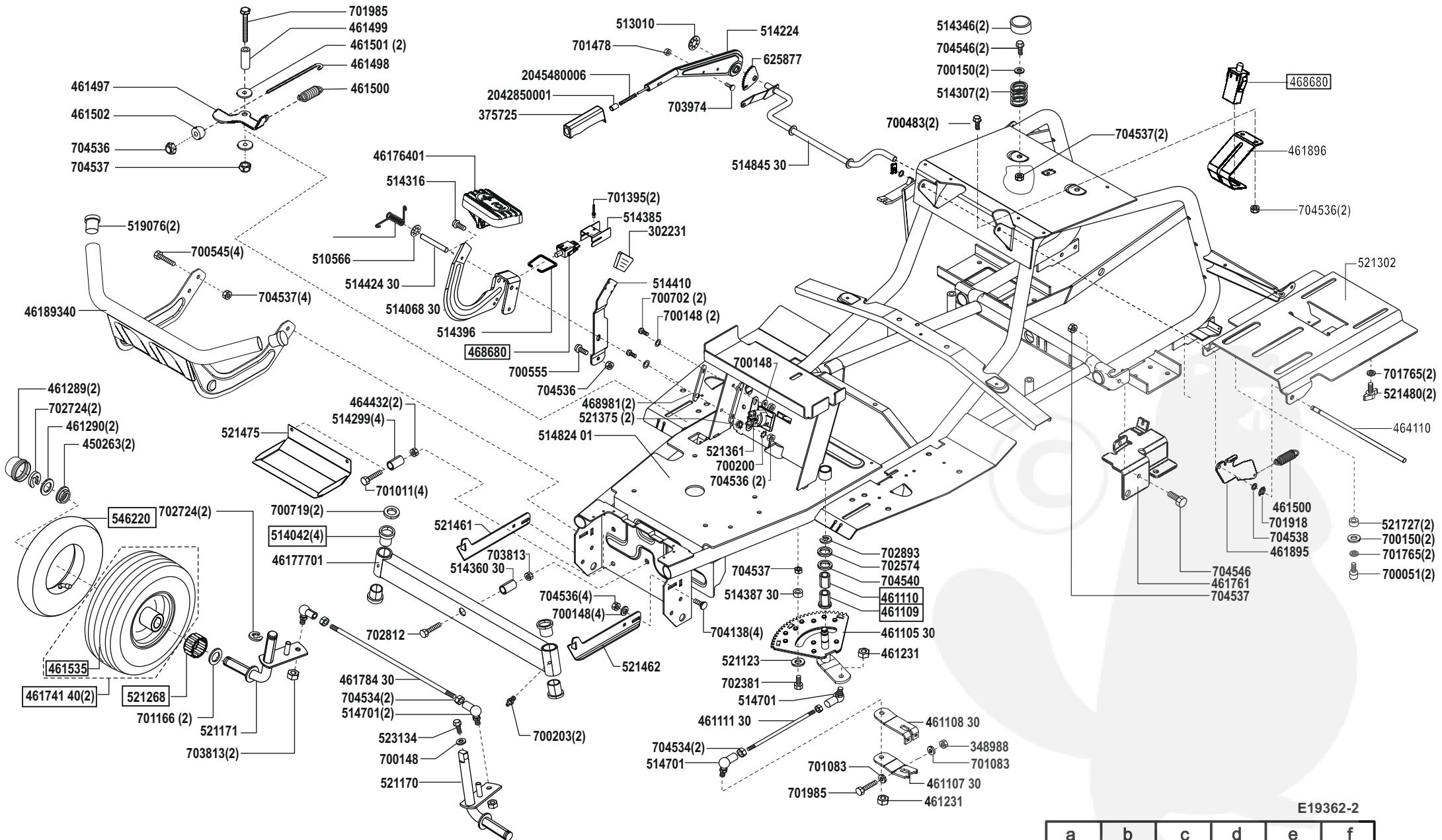


E19362-1

a	b	c	d	e	f
---	---	---	---	---	---

Crossover 102/15h

Art. 119362

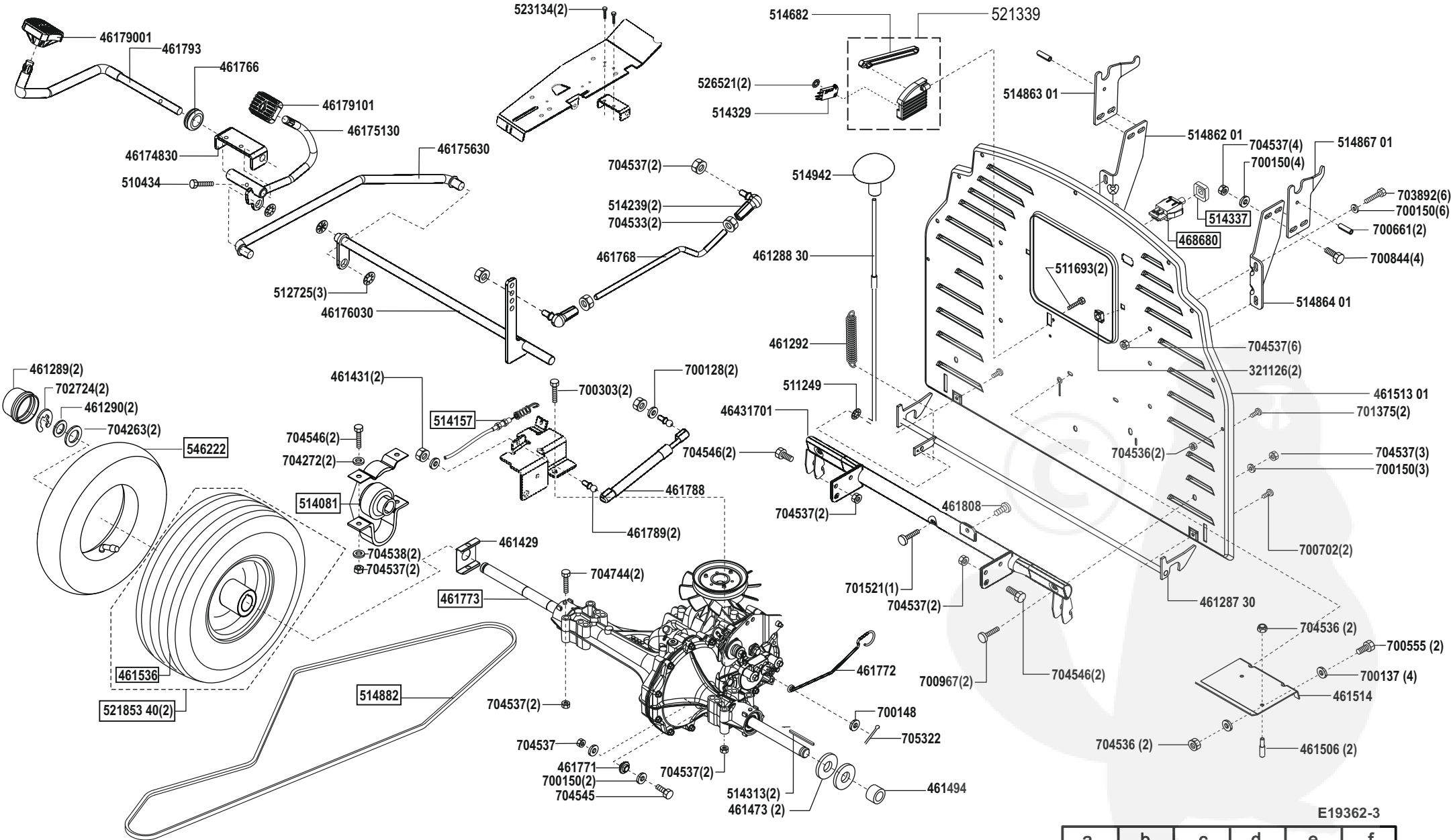


E19362-2

a	b	c	d	e	f
---	---	---	---	---	---

Crossover 102/15h

Art. 119362

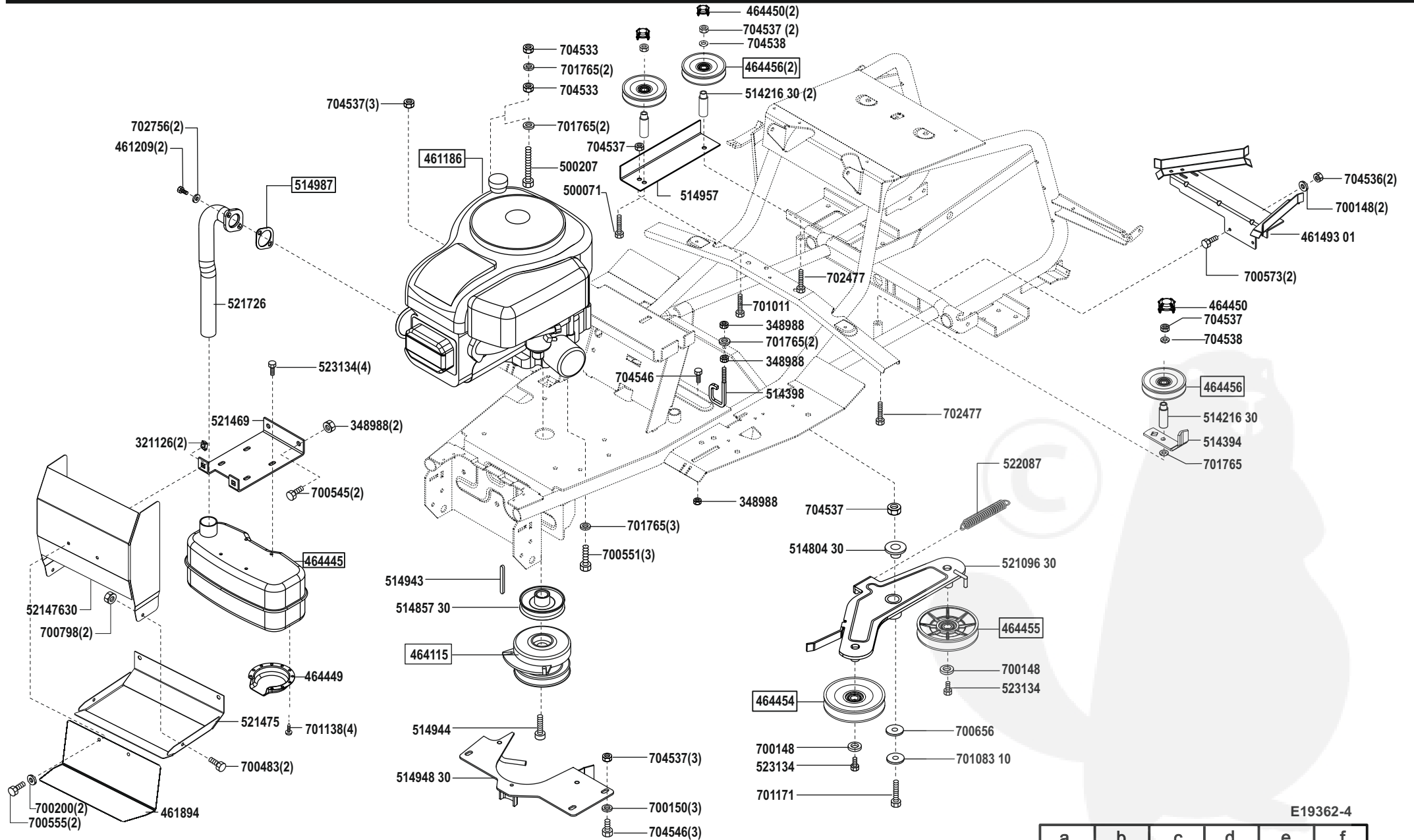


E19362-3

a	b	c	d	e	f
---	---	---	---	---	---

Crossover 102/15h

Art. 119362

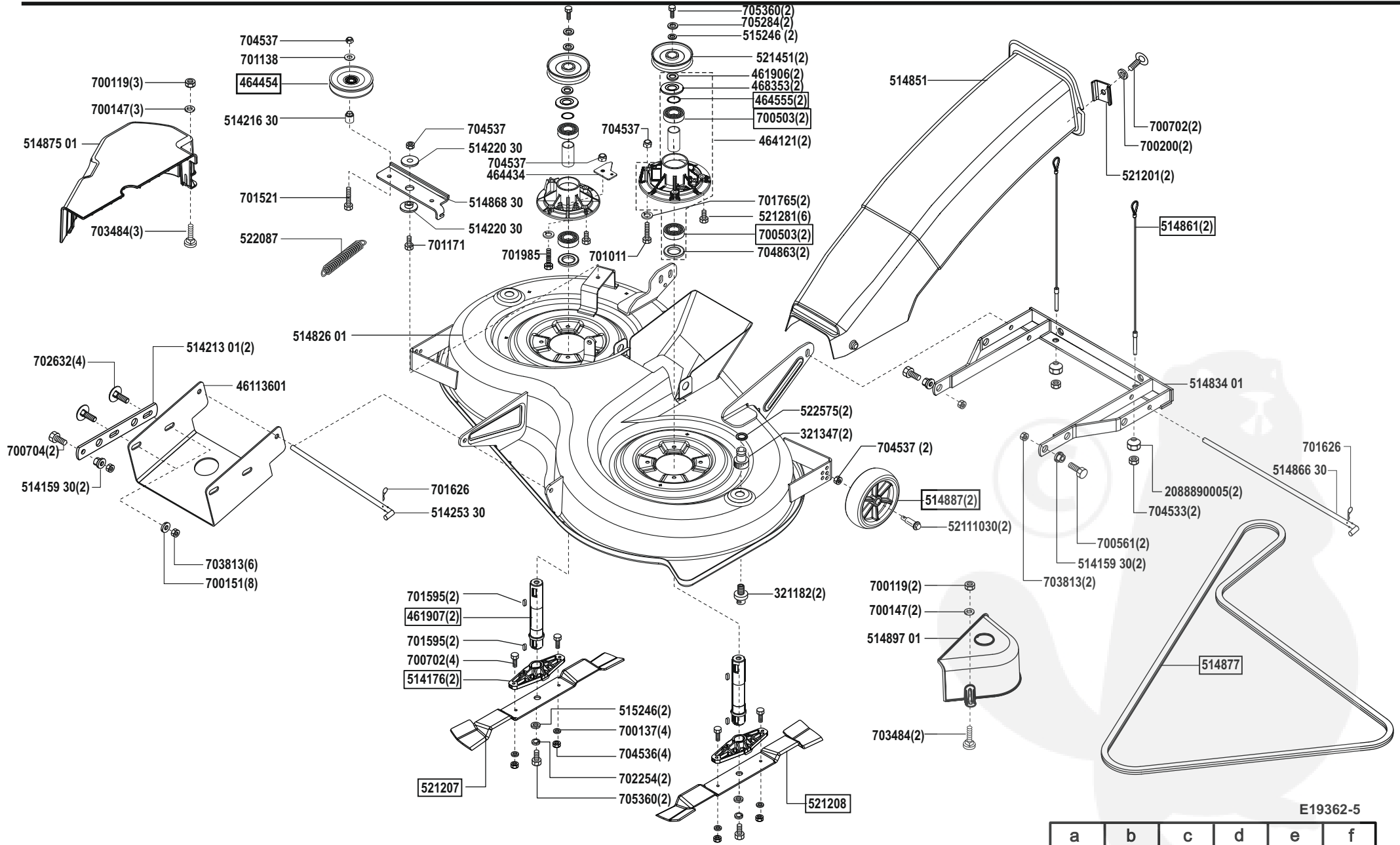


E19362-4

a	b	c	d	e	f
---	---	---	---	---	---

Crossover 102/15h

Art. 119362

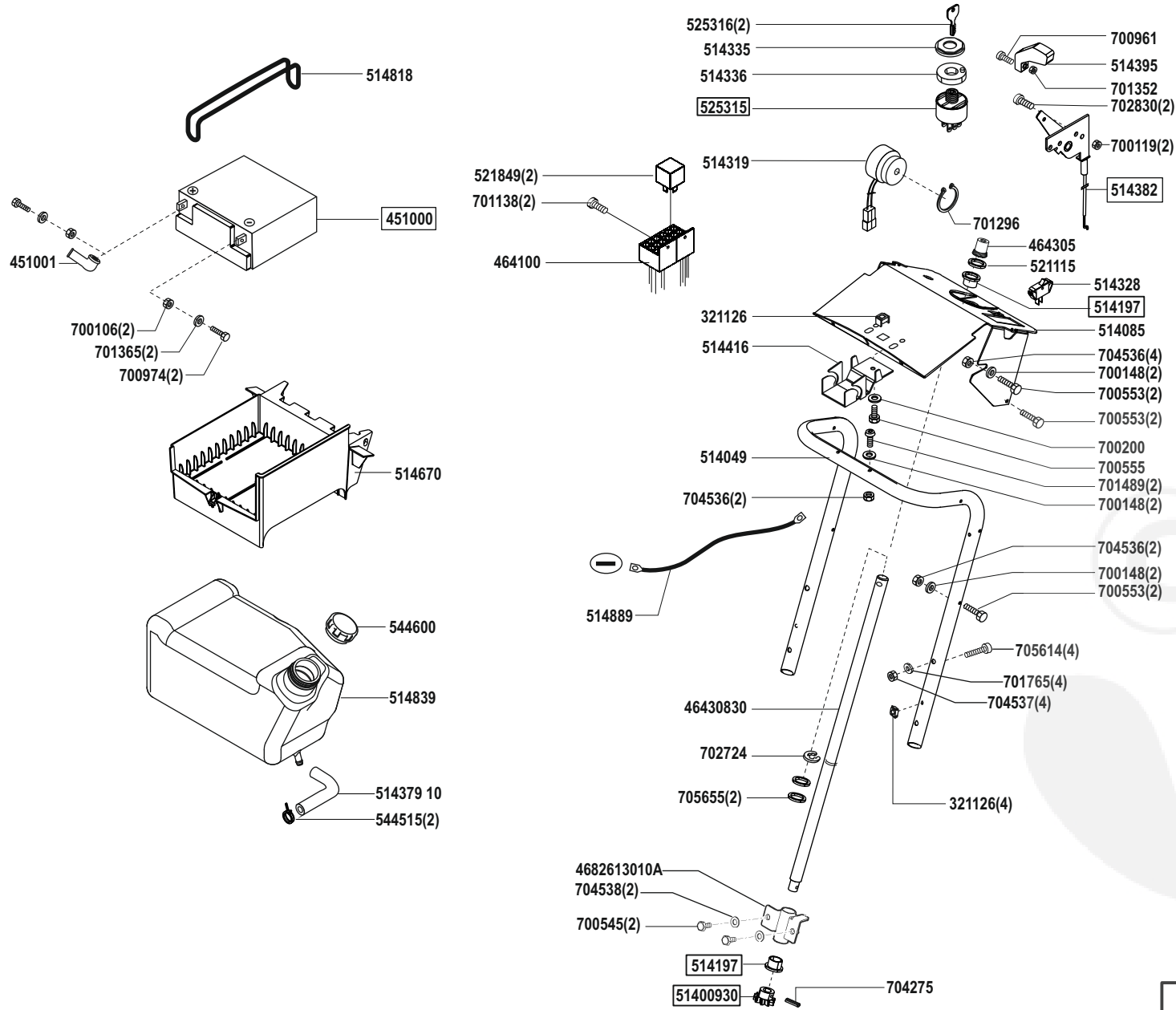


E19362-5

a	b	c	d	e	f
---	---	---	---	---	---

Crossover 102/15h

Art. 119362

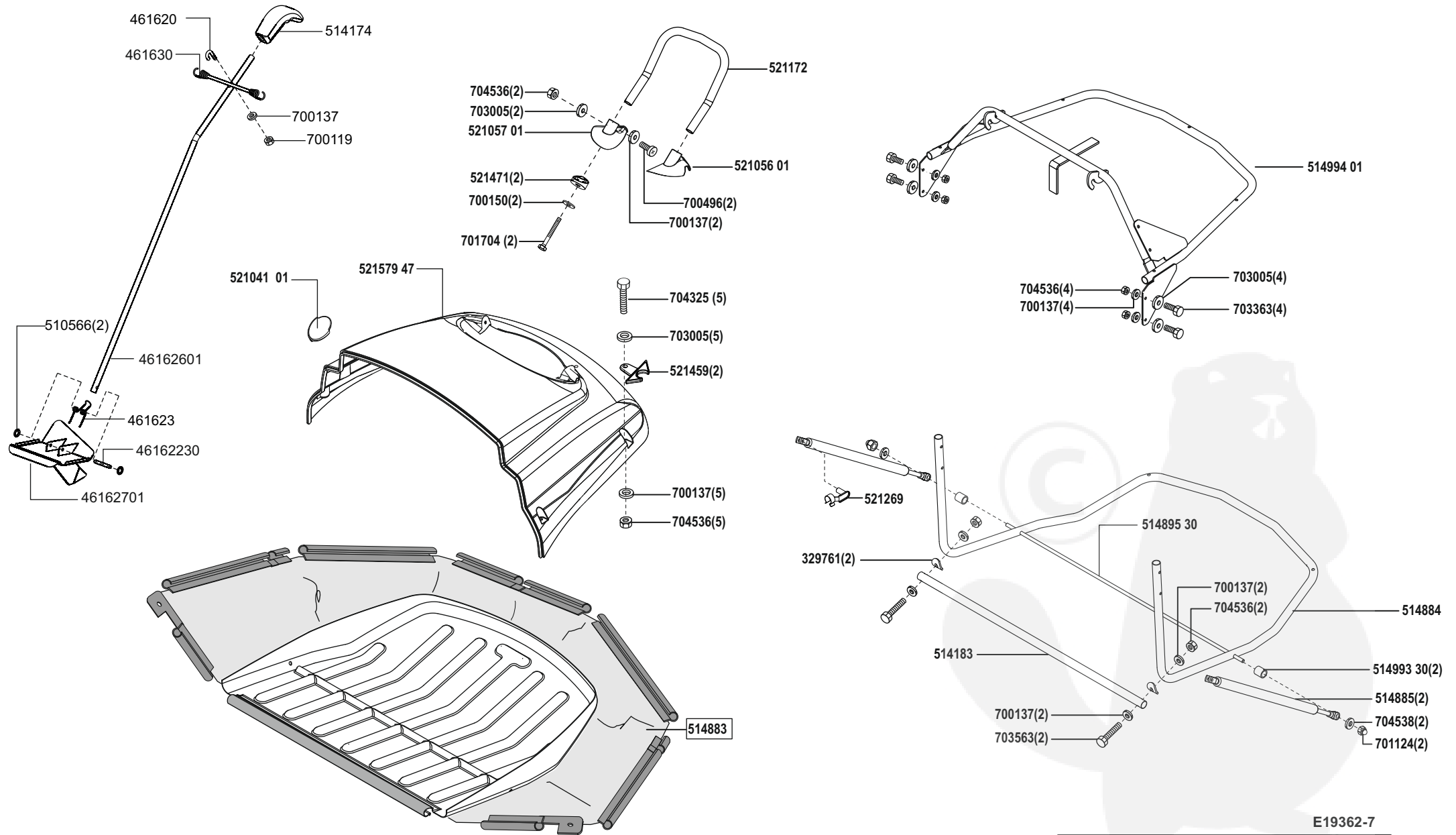


E19362-6

a	b	c	d	e	f
---	---	---	---	---	---

Crossover 102/15h

Art. 119362

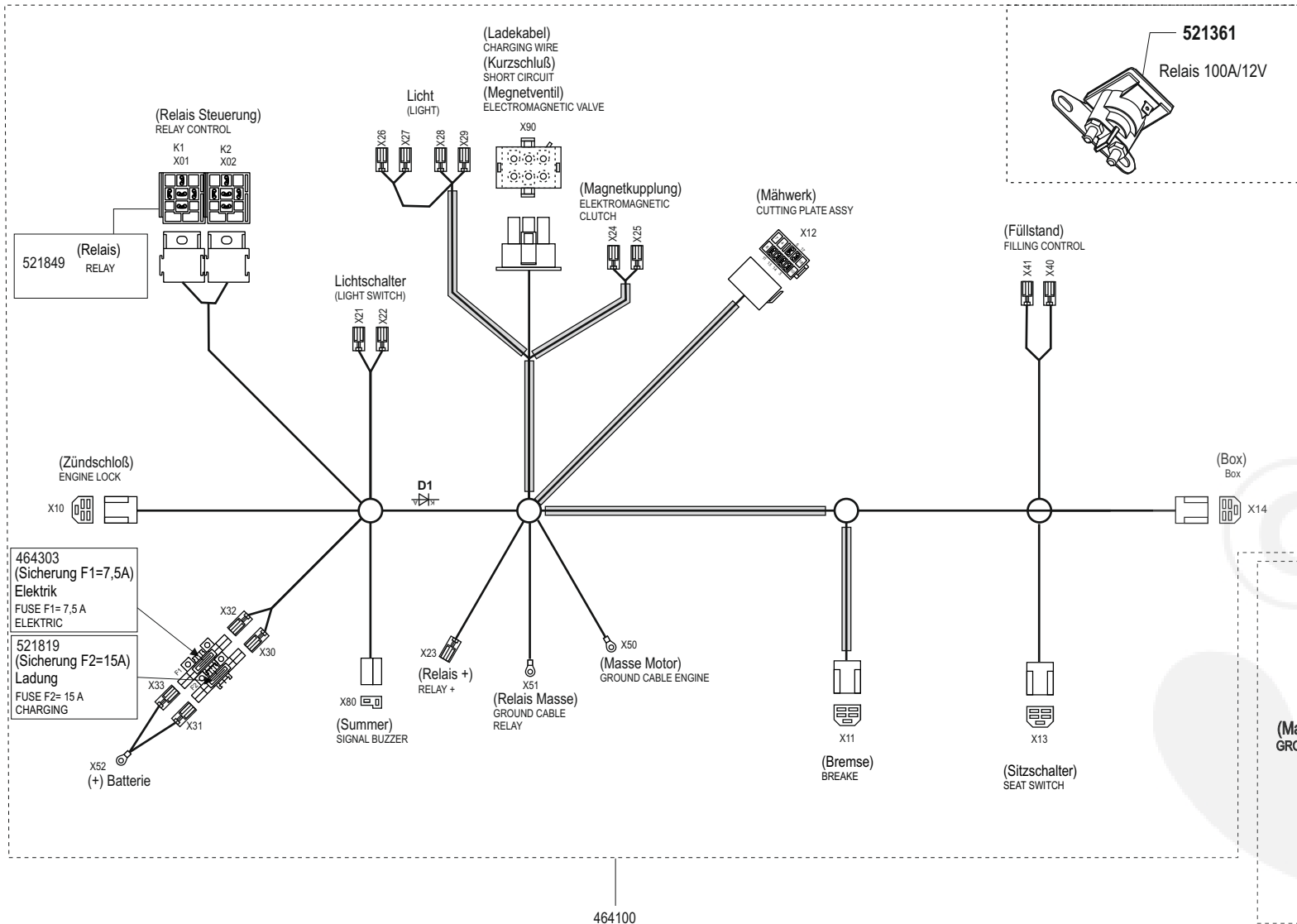


E19362-7

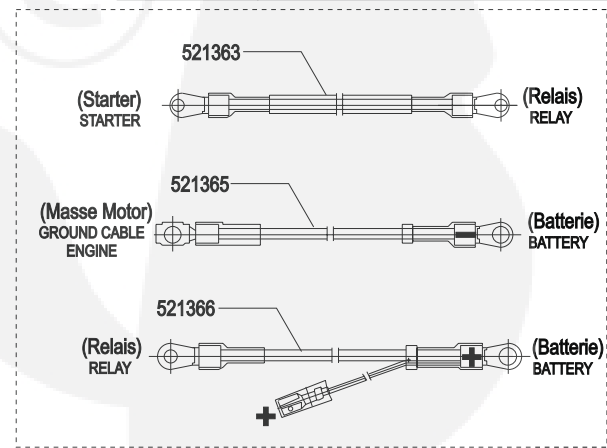
a	b	c	d	e	f
---	---	---	---	---	---

Crossover 102/15h

Art. 119362



(Sicherung) FUSE	F1 F2
(Summer) SIGNAL BUZZER X80	Leitungswertig
(Ladekabel) CHARGING WIRE (Kurzschluß) SHORT CIRCUIT (Magnetventil) ELECTROMAGNETIC VALVE X90	Leitungswertig
(Bremsse) BRAKE X11	Leitungswertig
(Sitzschalter) SEAT SWITCH X13	Leitungswertig
(Box) Box X14	Leitungswertig
(Zündschloß) ENGINE LOCK X10	Leitungswertig
D1	
(Mähwerk) CUTTING PLATE ASSY X12	Leitungswertig
(Relais Steuerung) RELAY CONTROL K1 X01	
(Relais Steuerung) RELAY CONTROL K2 X02	



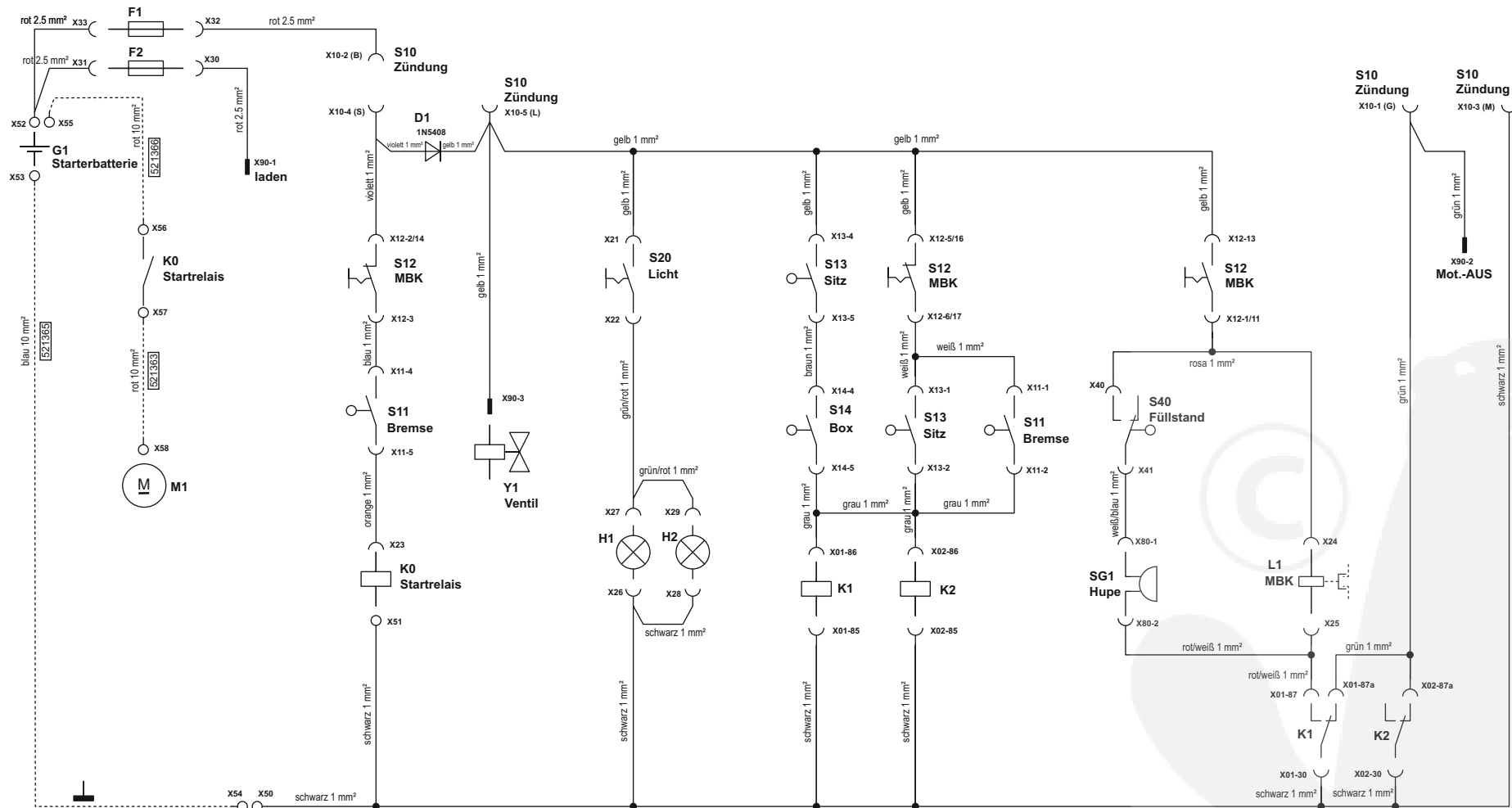
464100

E19362-8

a	b	c	d	e	f
---	---	---	---	---	---

Crossover 102/15h

Art. 119362



E19362-9

a	b	c	d	e	f
---	---	---	---	---	---