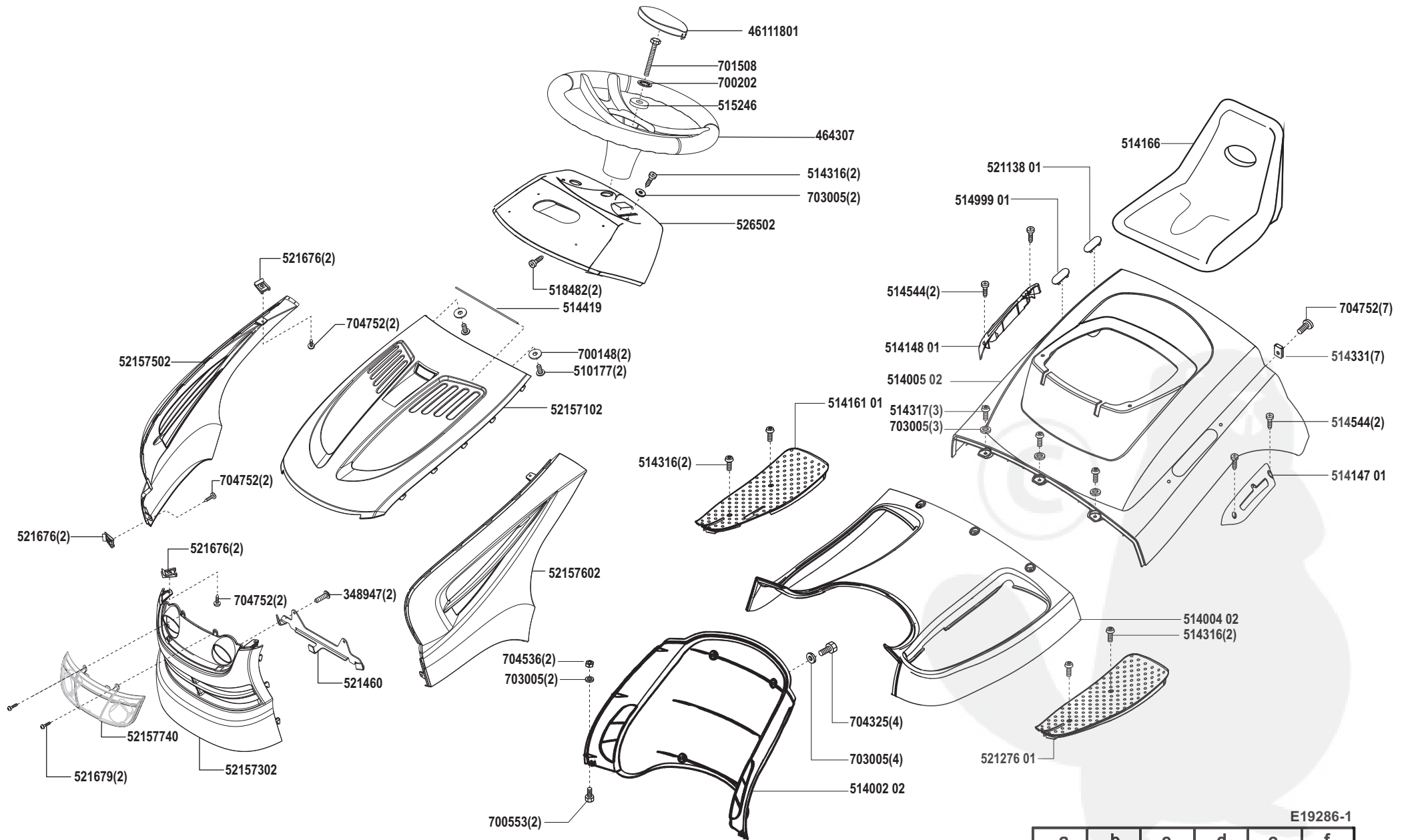


# Power Line T 13-82 HD edition

Art. Nr. 119286

# AL-KO



E19286-1

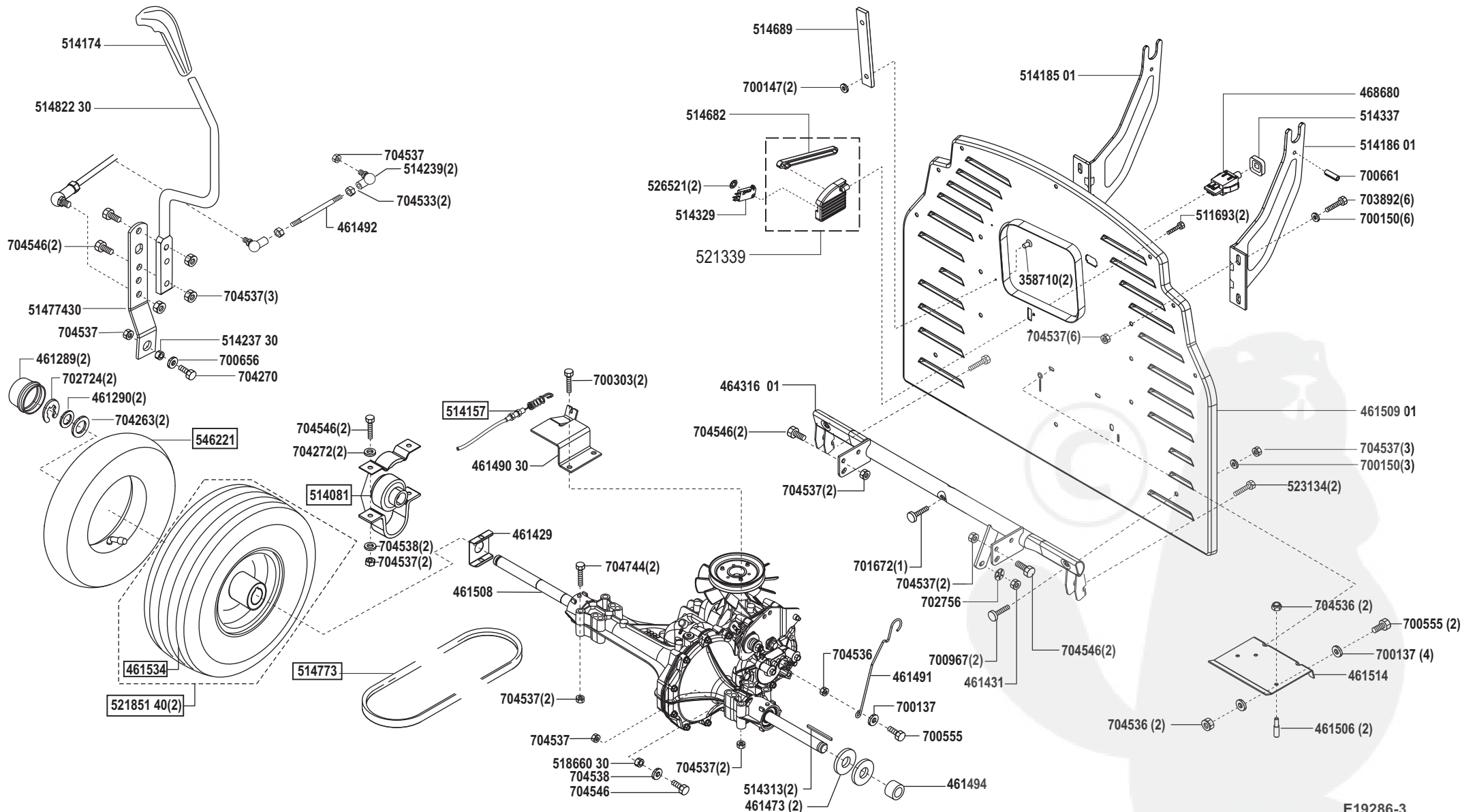
a	b	c	d	e	f
---	---	---	---	---	---



# Power Line T 13-82 HD edition

Art. Nr. 119286

# AL-KO



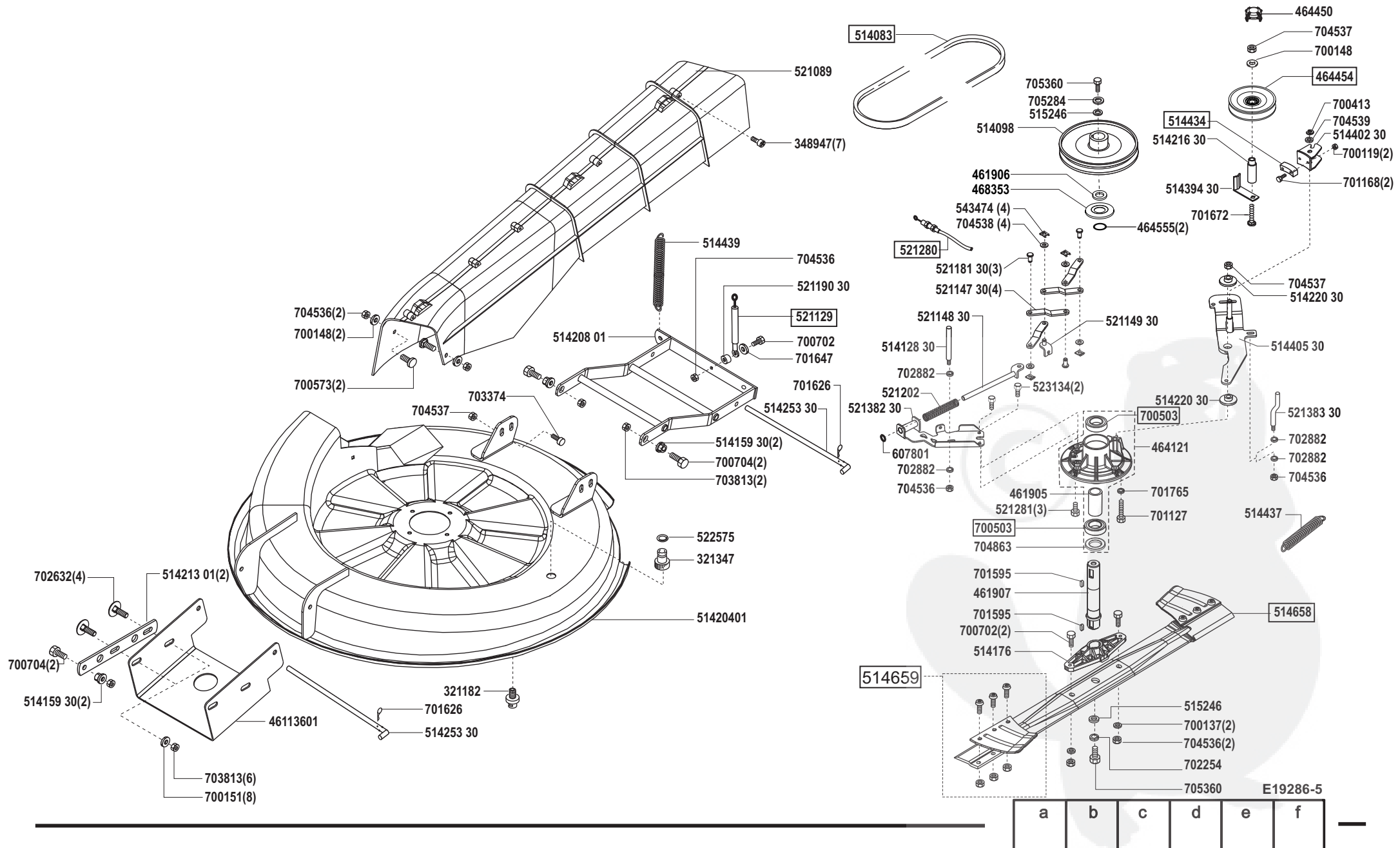
E19286-3

a	b	c	d	e	f
---	---	---	---	---	---

# Power Line T 13-82 HD edition

Art. Nr. 119286

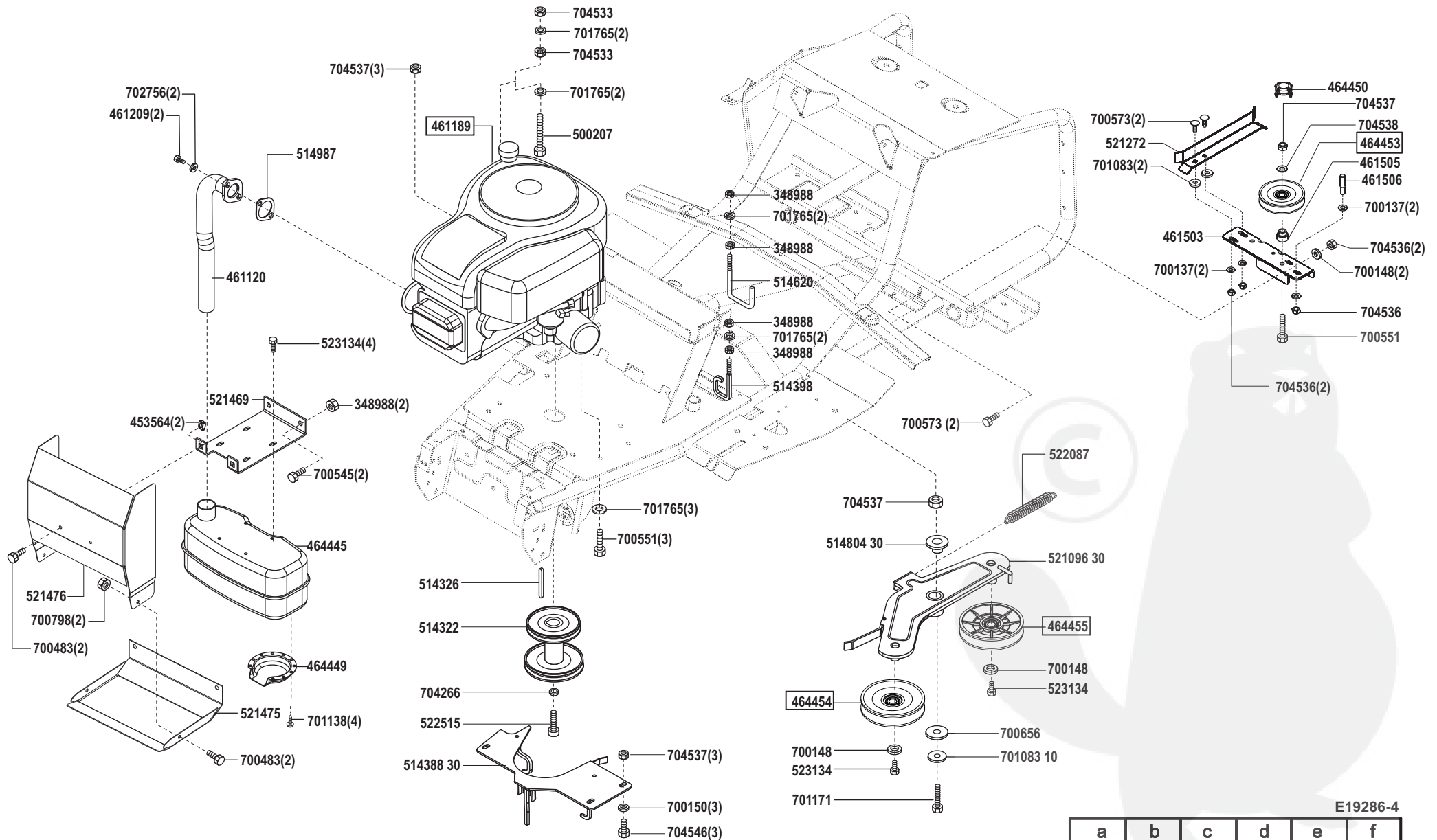
# AL-KO



# Power Line T 13-82 HD edition

Art. Nr. 119286

# AL-KO



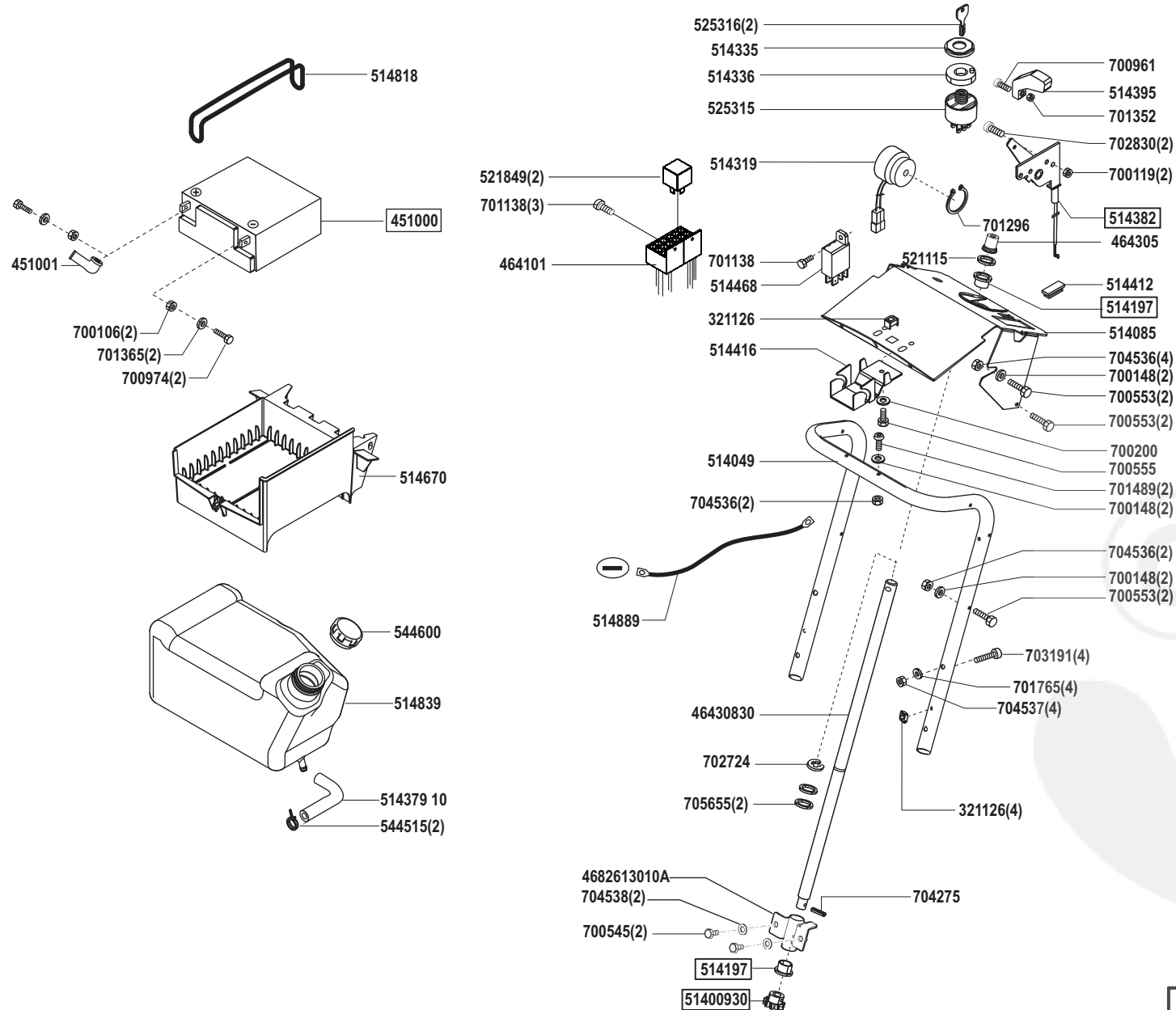
E19286-4

a	b	c	d	e	f
---	---	---	---	---	---

# Power Line T 13-82 HD edition

Art. Nr. 119286

# AL-KO



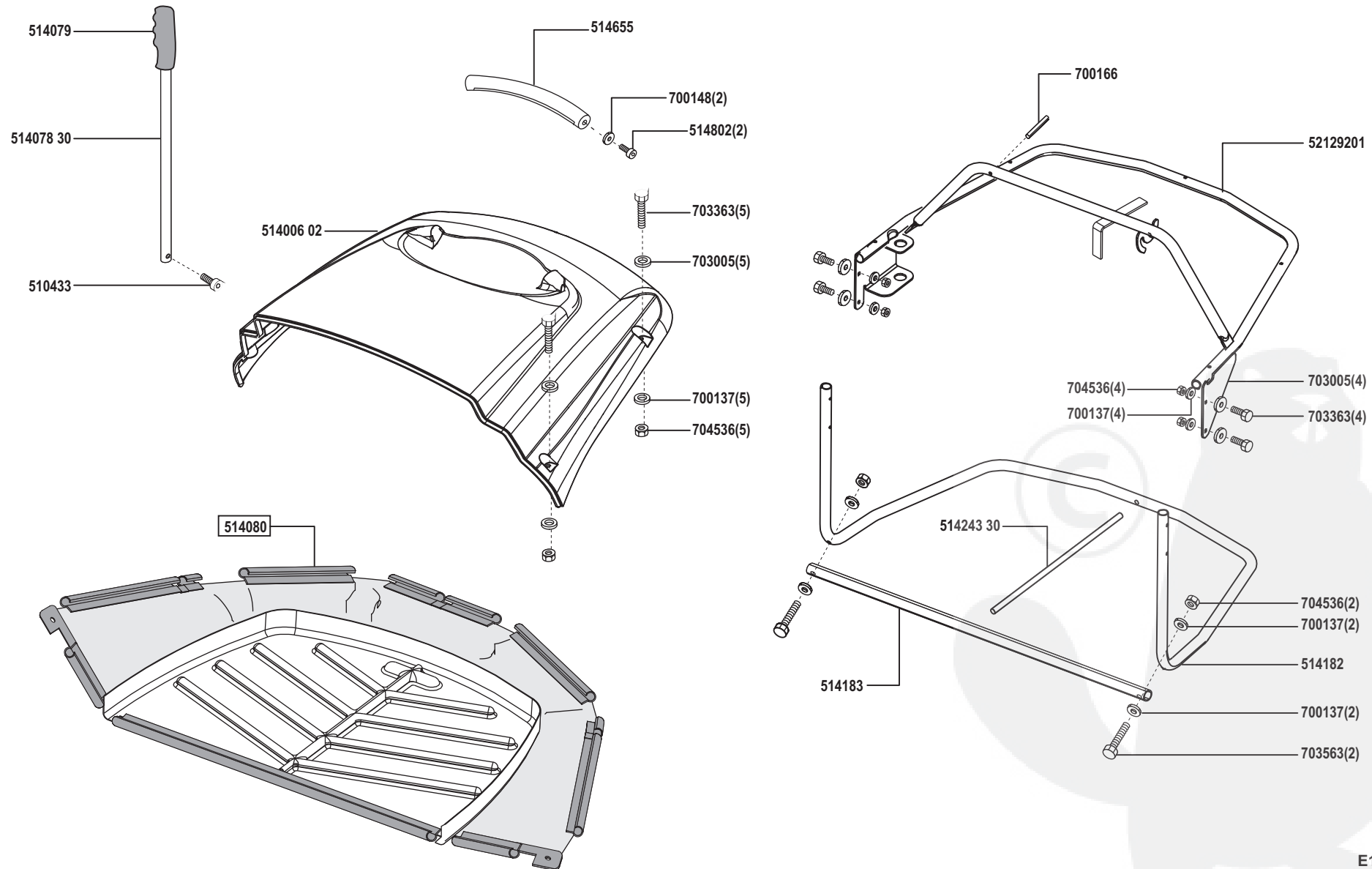
E19286-6

a	b	c	d	e	f
---	---	---	---	---	---

# Power Line T 13-82 HD edition

Art. Nr. 119286

# AL-KO



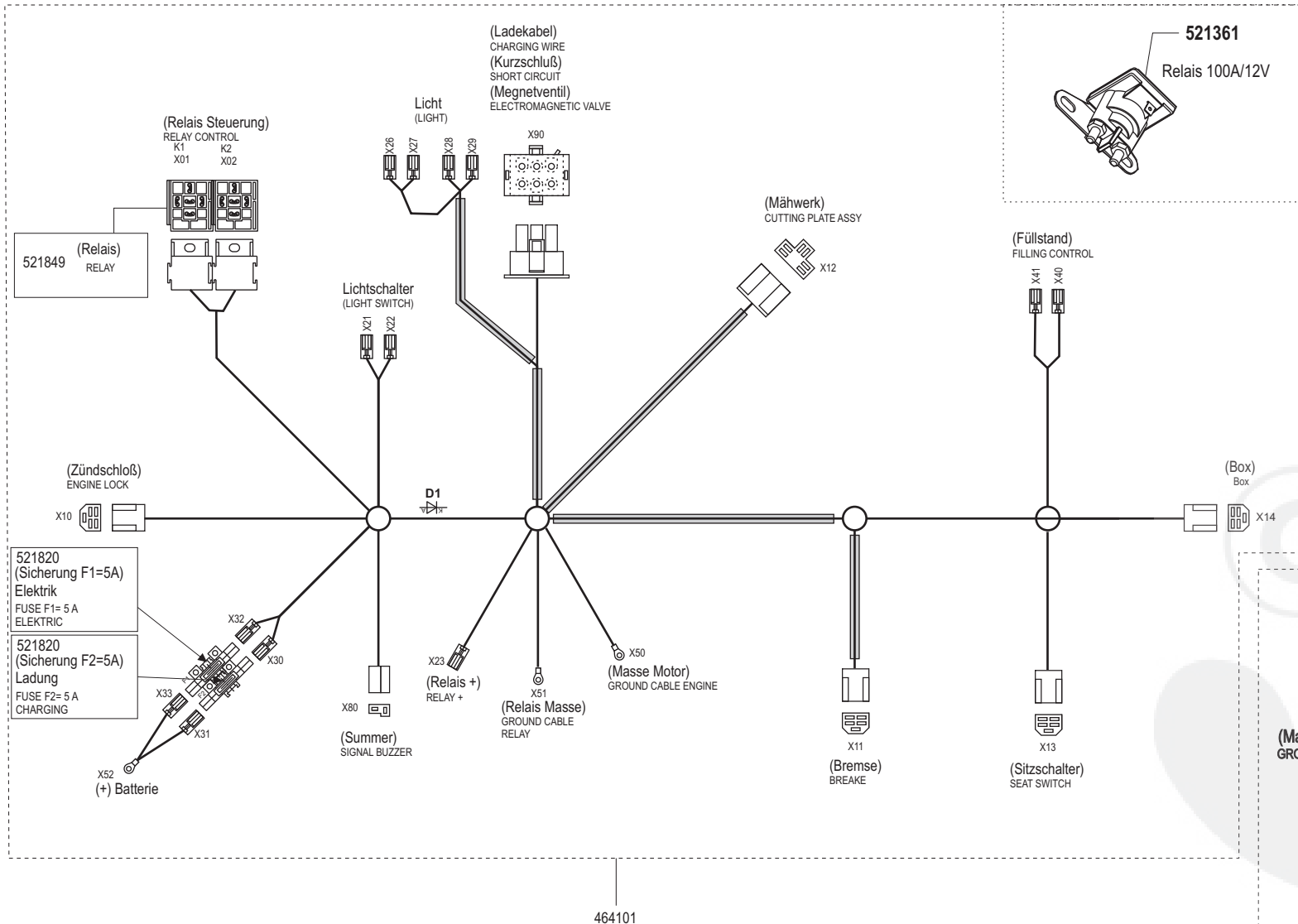
E19286-7

a	b	c	d	e	f
---	---	---	---	---	---

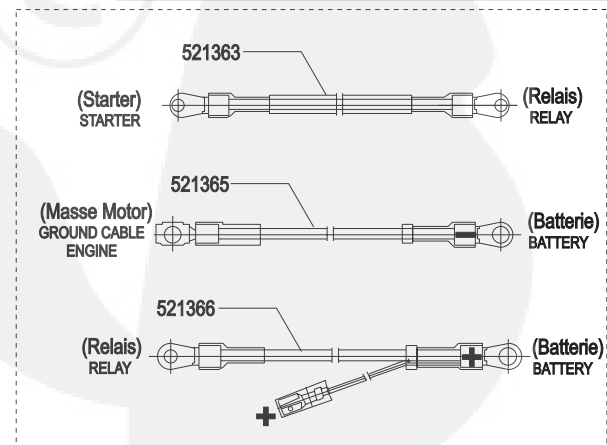
# Power Line T 13-82 HD edition

Art. Nr. 119286

# AL-KO



(Sicherung) FUSE	F1 F2
(Summer) SIGNAL BUZZER X80	Leitungswertig
(Ladekabel) CHARGING WIRE (Kurzschluß) SHORT CIRCUIT (Megnetventil) ELECTROMAGNETIC VALVE X90	3 6 5 4 2 1 Leitungswertig
(Bremse) BREAK X11	4 5 3 2 1 Leitungswertig
(Sitzschalter) SEAT SWITCH X13	4 5 3 2 1 Leitungswertig
(Box) Box X14	4 5 3 2 1 Leitungswertig
(Zündschloß) ENGINE LOCK X10	4 5 3 2 1 Leitungswertig
D1	
(Mähwerk) CUTTING PLATE ASSY X12	1 2 3 5 4 Leitungswertig
(Relais Steuerung) RELAY CONTROL K1 X01	86 30 67 85 87
(Relais Steuerung) RELAY CONTROL K2 X02	86 30 67 85 87



464101

E19286-8

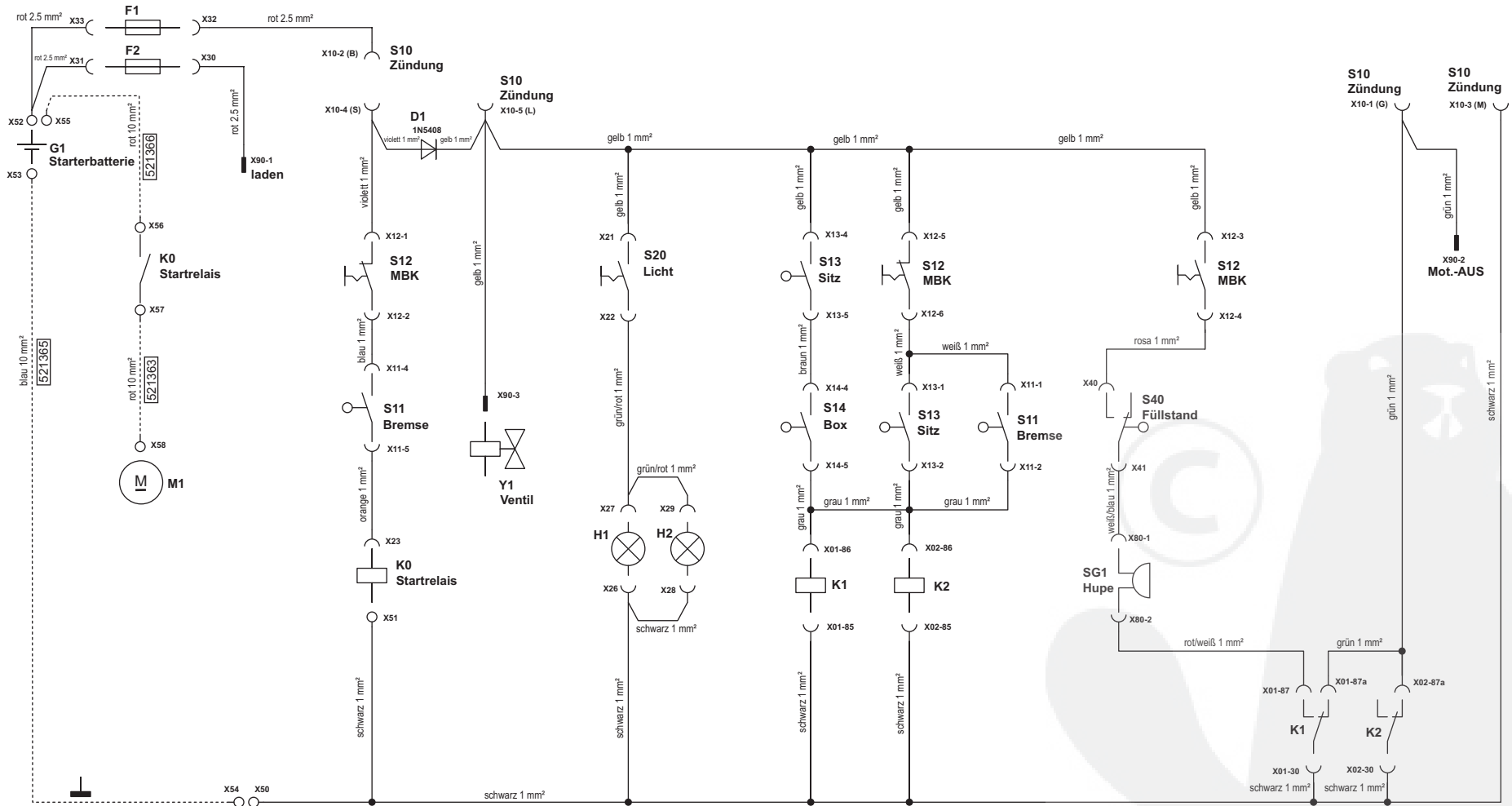
a	b	c	d	e	f
11/10					



# Power Line T 13-82 HD edition

Art. Nr. 119286

# AL-KO



E19286-9

a	b	c	d	e	f
---	---	---	---	---	---