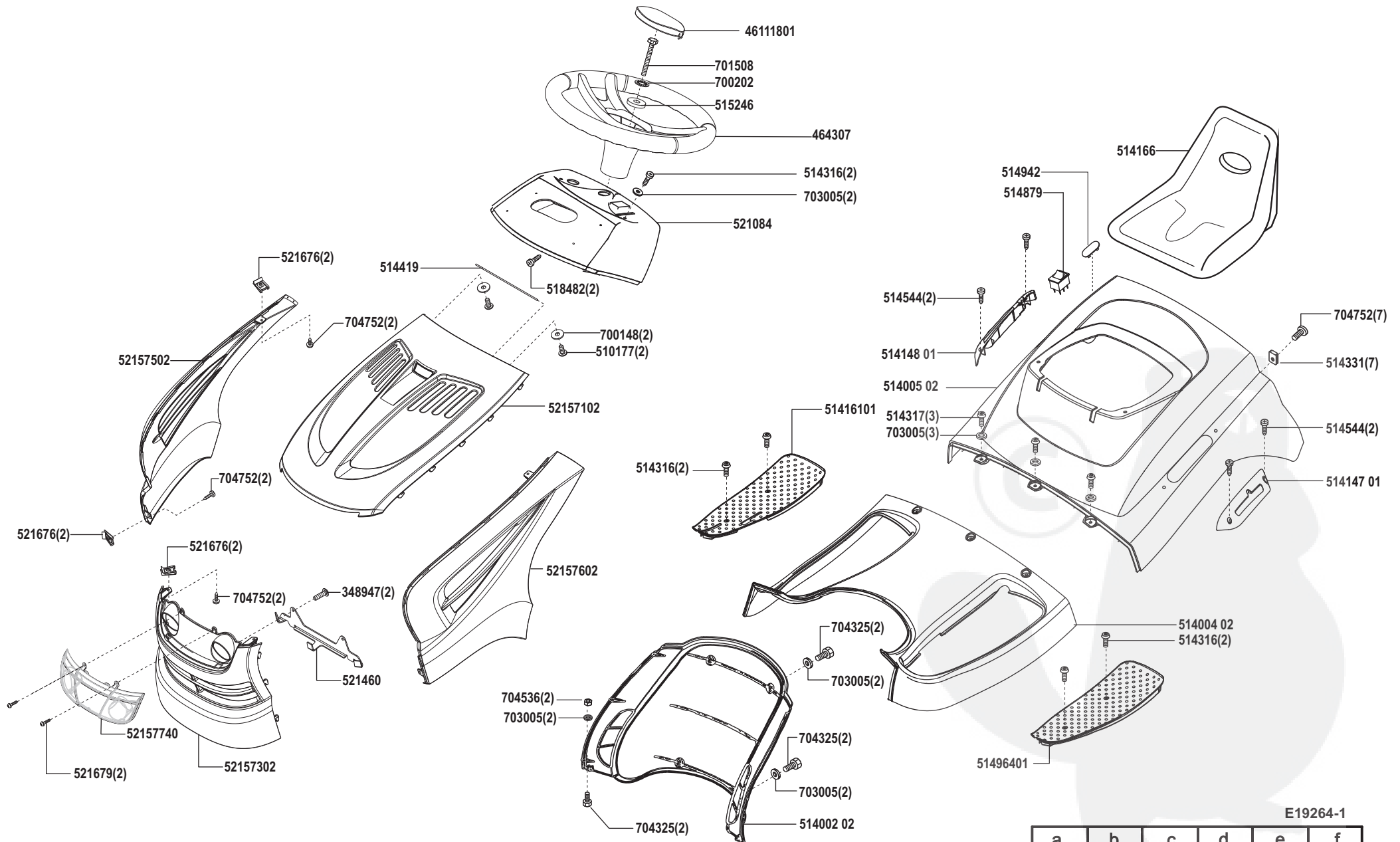


Power Line T15-102 HD edition

Art. Nr. 119264

AL-KO



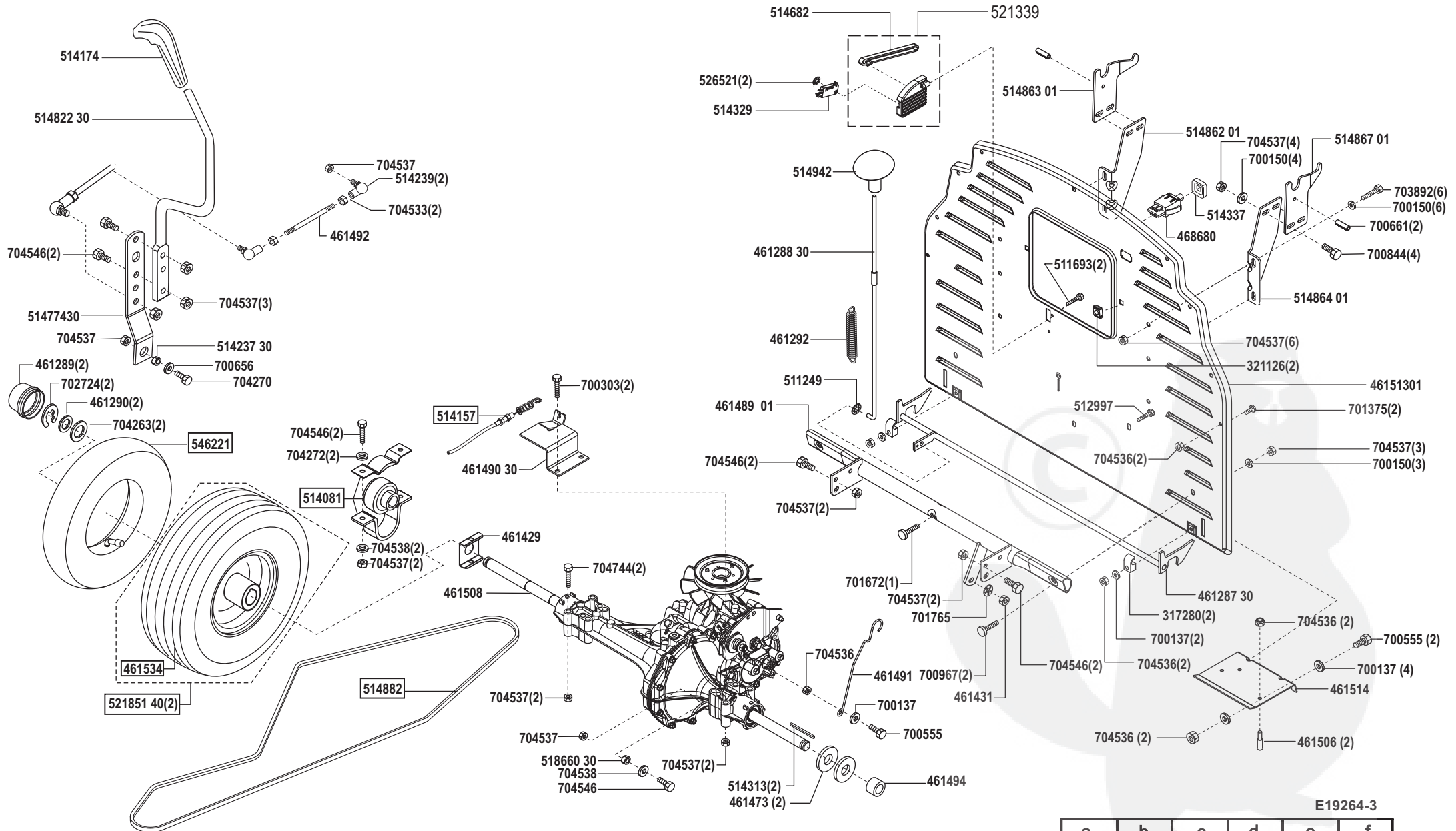
E19264-1

a	b	c	d	e	f
---	---	---	---	---	---

Power Line T15-102 HD edition

Art. Nr. 119264

AL-KO



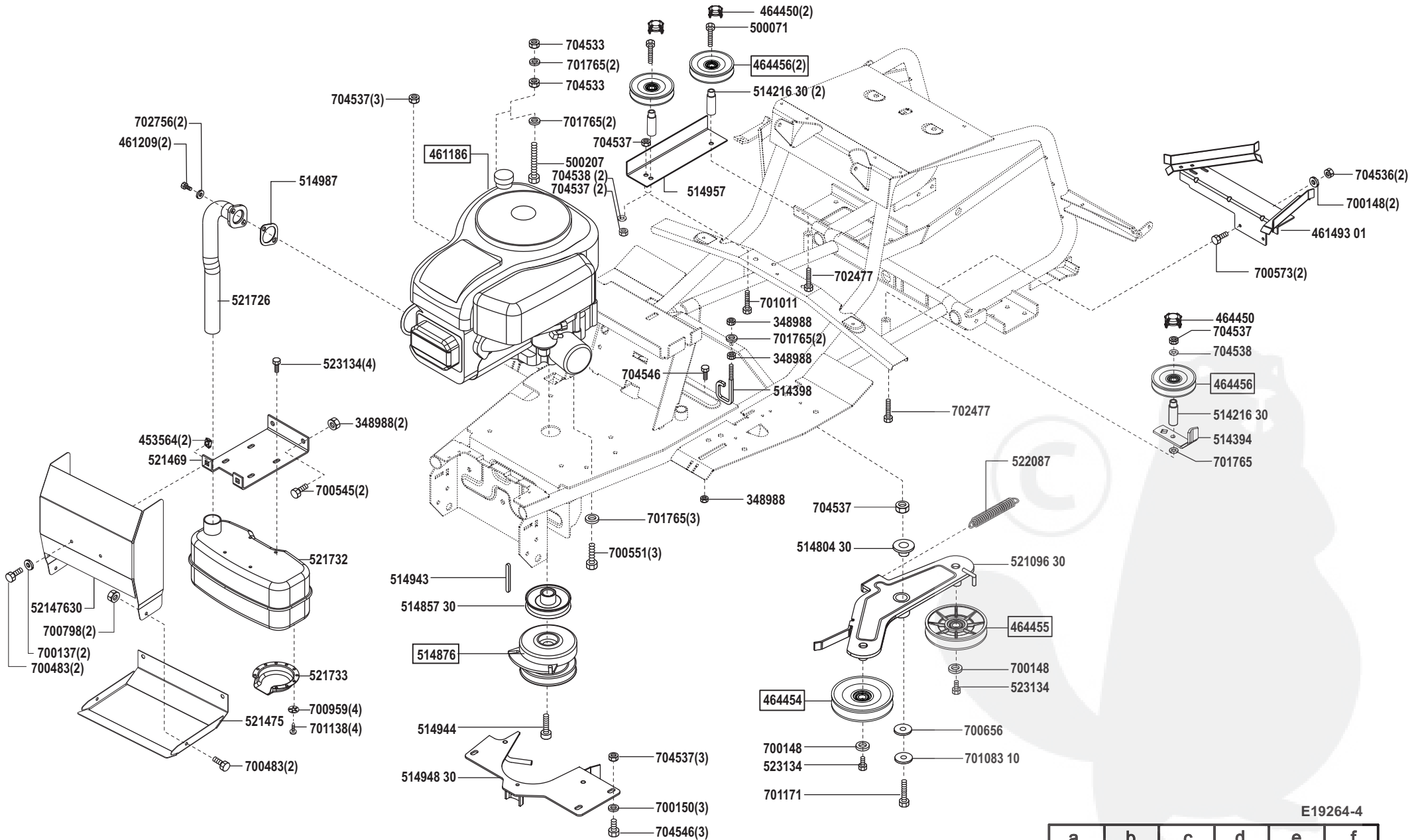
E19264-3

a	b	c	d	e	f
---	---	---	---	---	---

Power Line T15-102 HD edition

Art. Nr. 119264

AL-KO



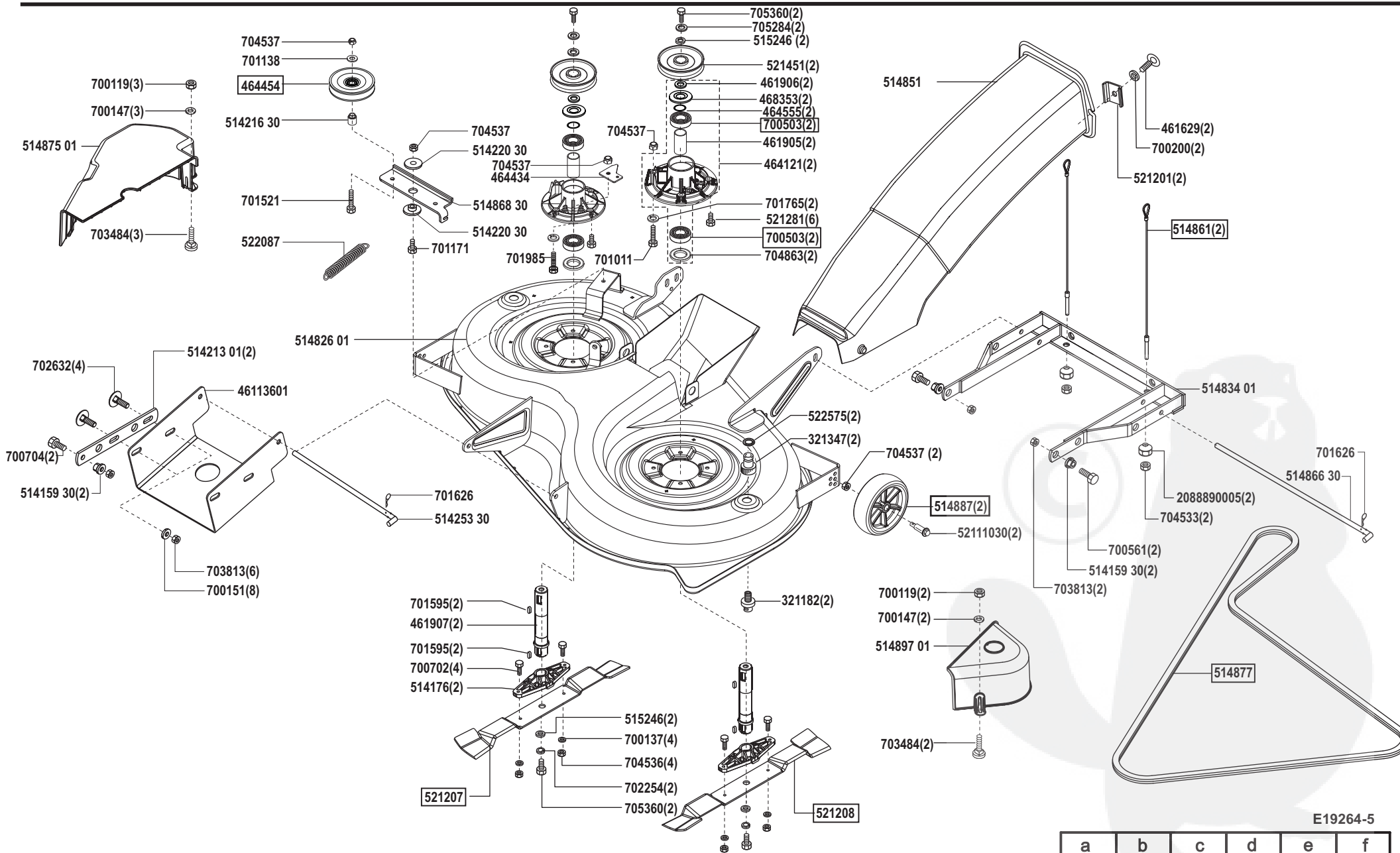
E19264-4

a	b	c	d	e	f
01/10					

Power Line T15-102 HD edition

Art. Nr. 119264

AL-KO



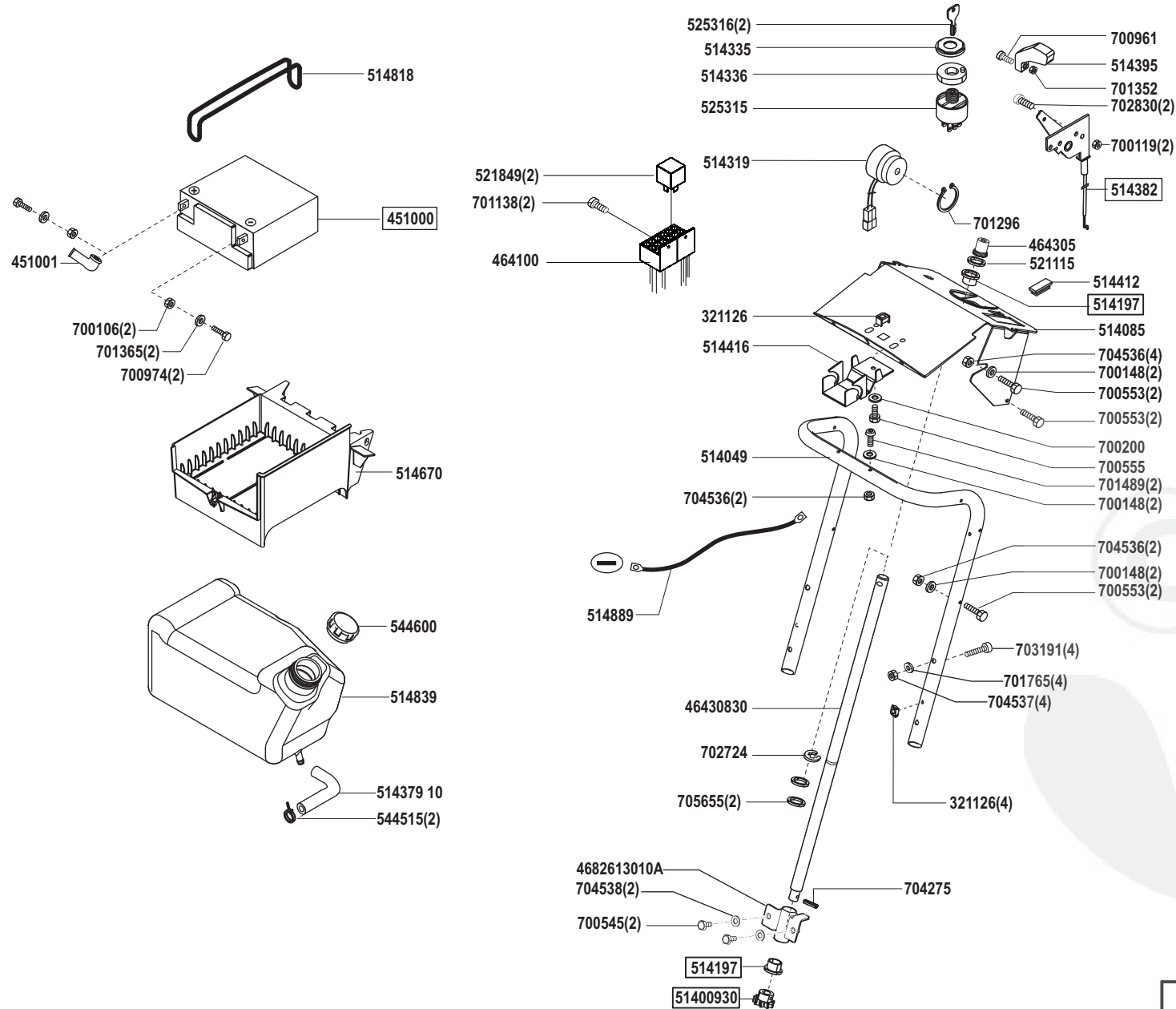
E19264-5

a	b	c	d	e	f
---	---	---	---	---	---

Power Line T15-102 HD edition

Art. Nr. 119264

AL-KO



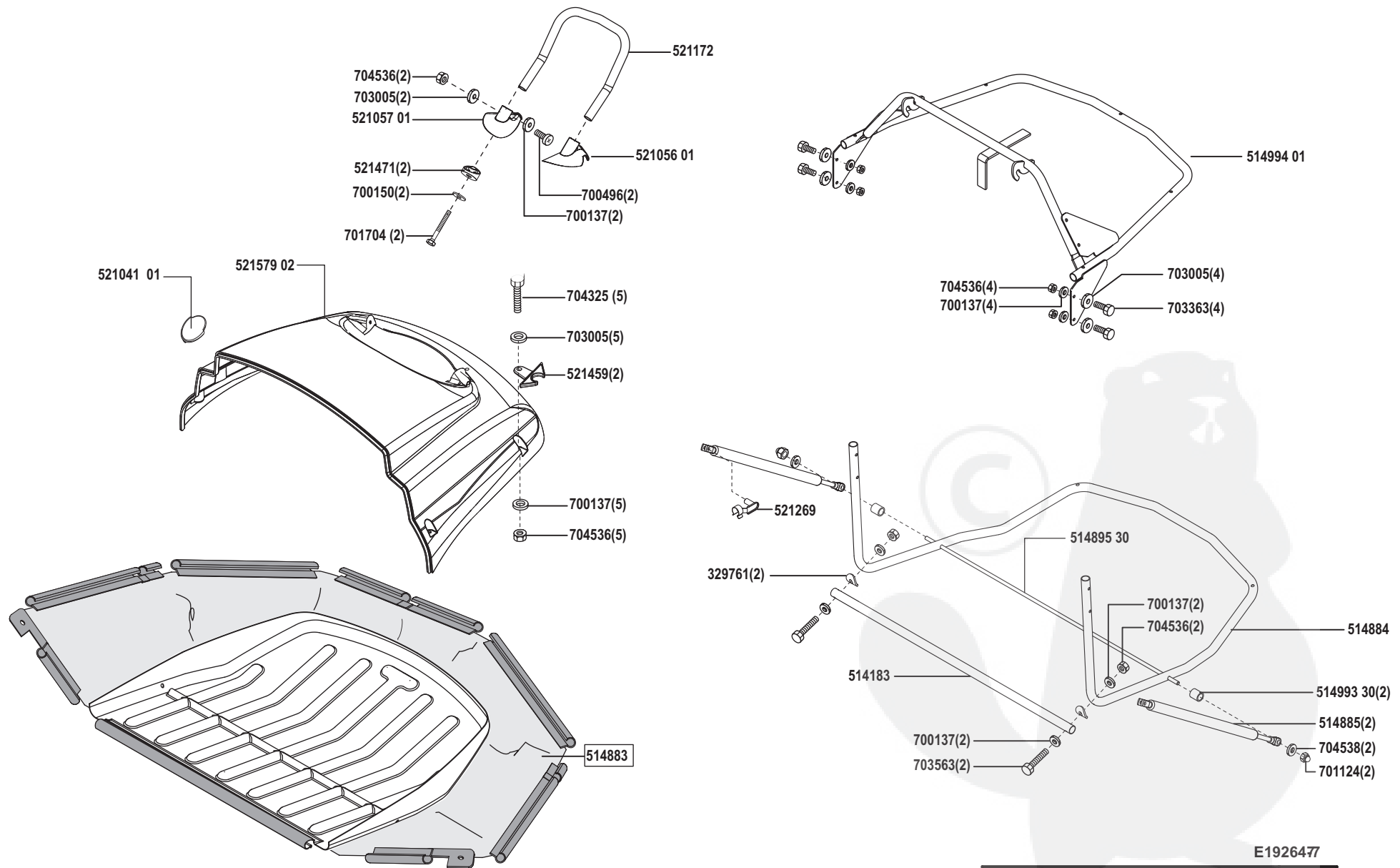
E19264-6

a	b	c	d	e	f
---	---	---	---	---	---

Power Line T15-102 HD edition

Art. Nr. 119264

AL-KO



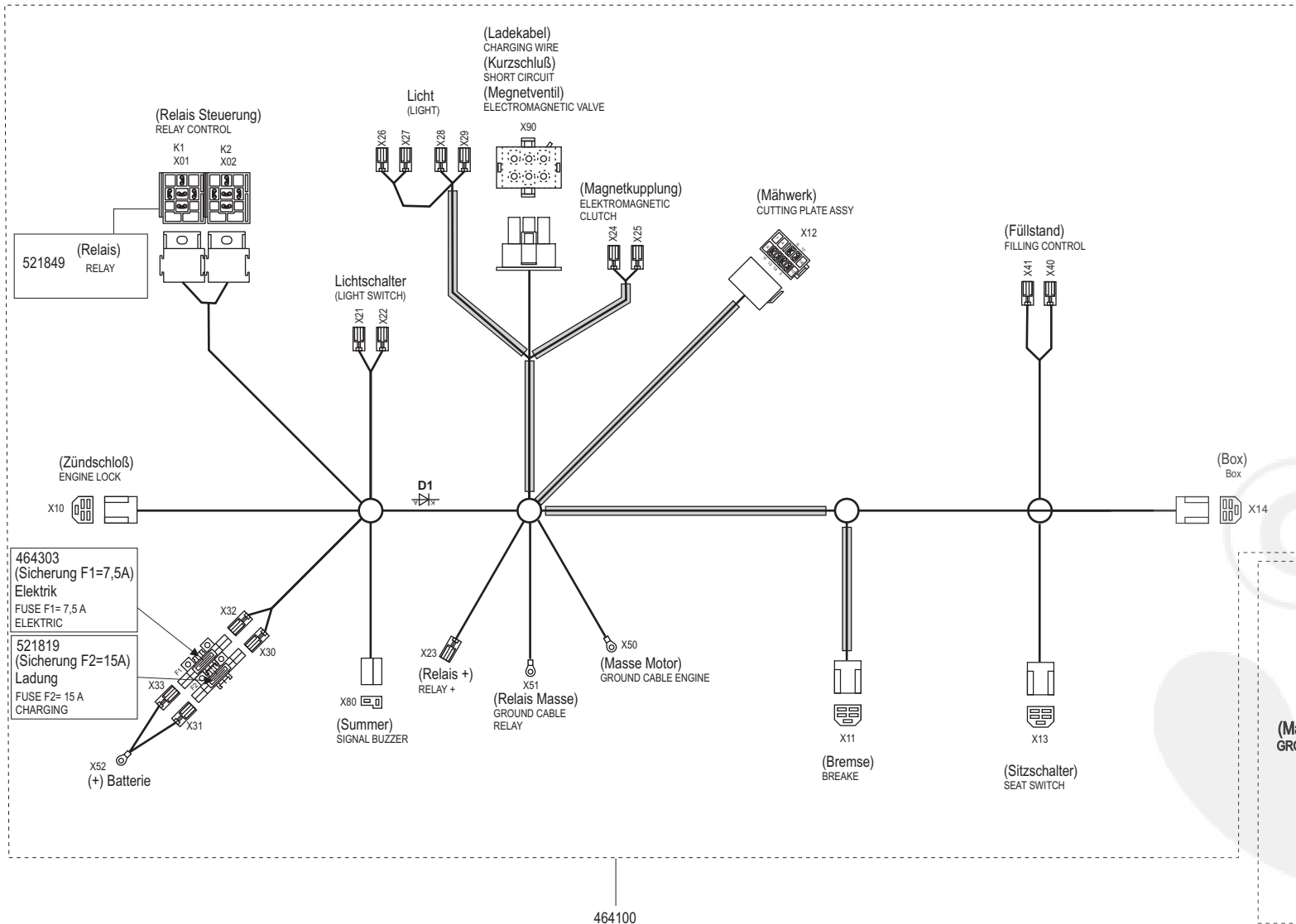
E1926477

a	b	c	d	e	f
---	---	---	---	---	---

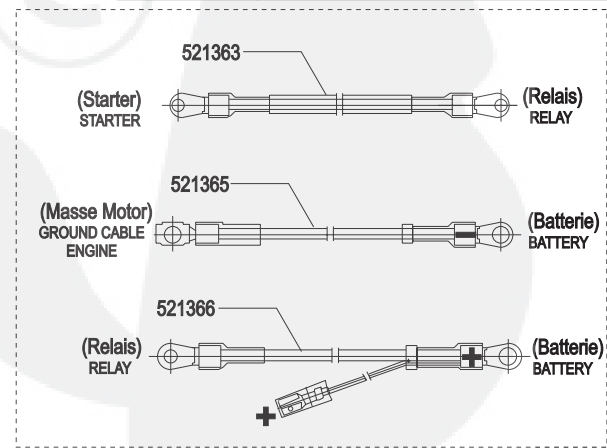
Power Line T15-102 HD edition

Art. Nr. 119264

AL-KO



(Sicherung) FUSE	F1 F2
(Summer) SIGNAL BUZZER X80	Leitungssymbol
(Ladekabel) CHARGING WIRE (Kurzschluß) SHORT CIRCUIT (Magnetventil) ELECTROMAGNETIC VALVE X90	6 5 4 3 2 1 Leitungssymbol
(Bremsse) BRAKE X11	4 5 3 2 1 Leitungssymbol
(Sitzschalter) SEAT SWITCH X13	4 5 3 2 1 Leitungssymbol
(Box) Box X14	4 5 3 2 1 Leitungssymbol
(Zündschloß) ENGINE LOCK X10	4 5 3 2 1 Leitungssymbol
D1	
(Mähwerk) CUTTING PLATE ASSY X12	Leitungssymbol
(Relais Steuerung) RELAY CONTROL K1 X01	86 30 87 85 Leitungssymbol
(Relais Steuerung) RELAY CONTROL K2 X02	86 30 87 85 Leitungssymbol



464100

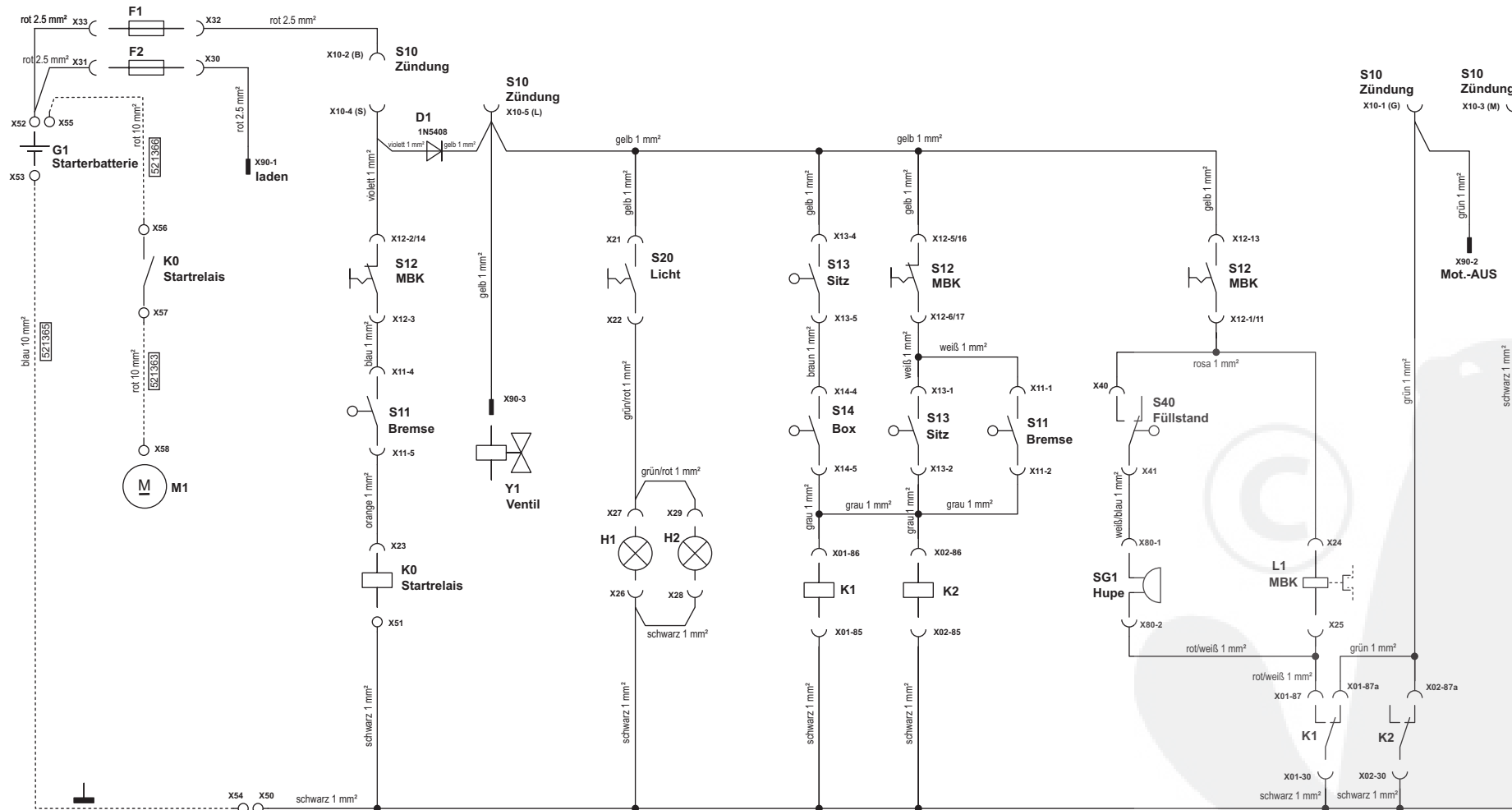
E19264-8

a	b	c	d	e	f
---	---	---	---	---	---

Power Line T15-102 HD edition

Art. Nr. 119264

AL-KO



E19264-9

a	b	c	d	e	f
---	---	---	---	---	---