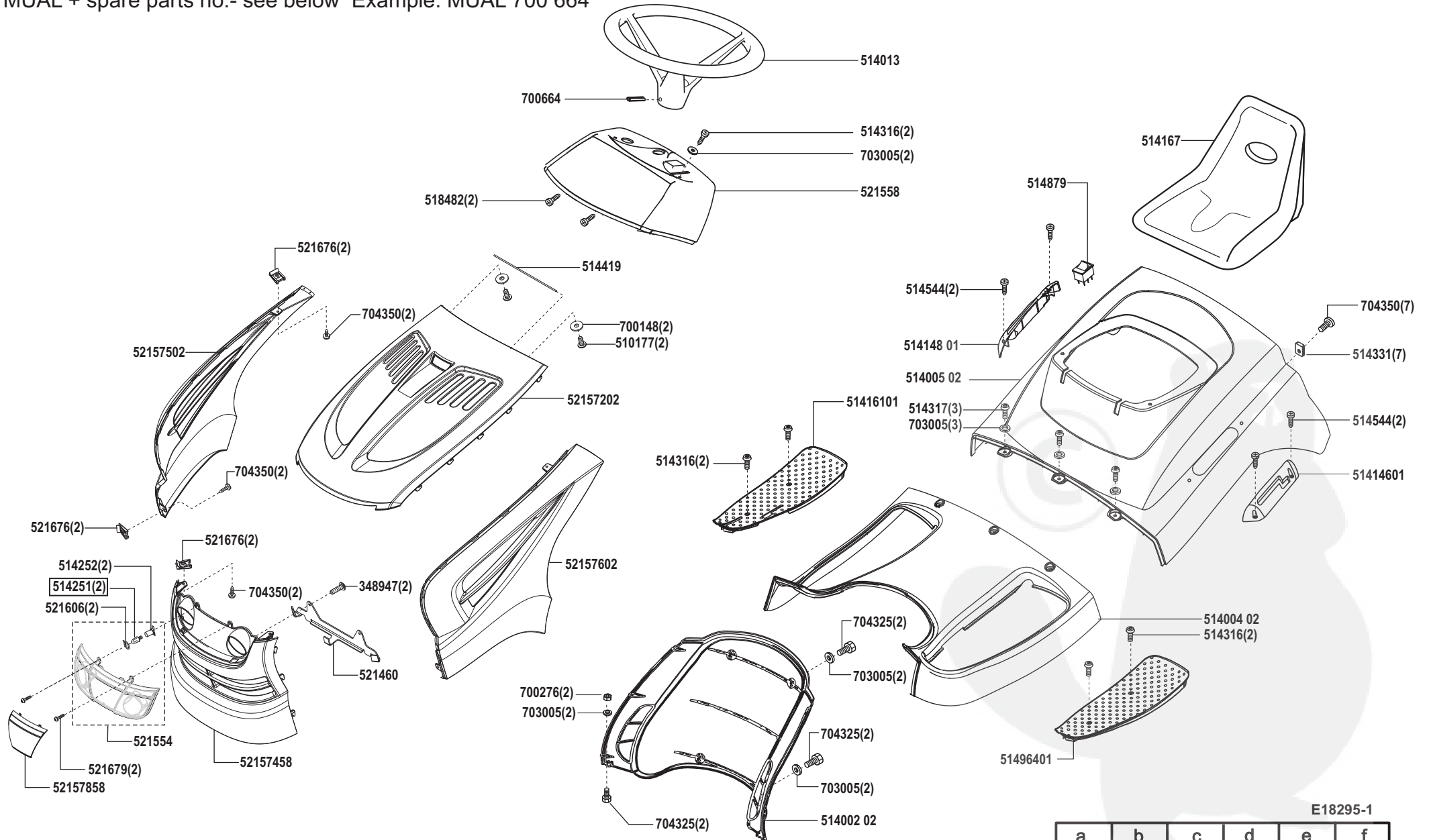


# SENTINEL 135/102

Art. Nr. 118295

MUAL + spare parts no.- see below Example: MUAL 700 664



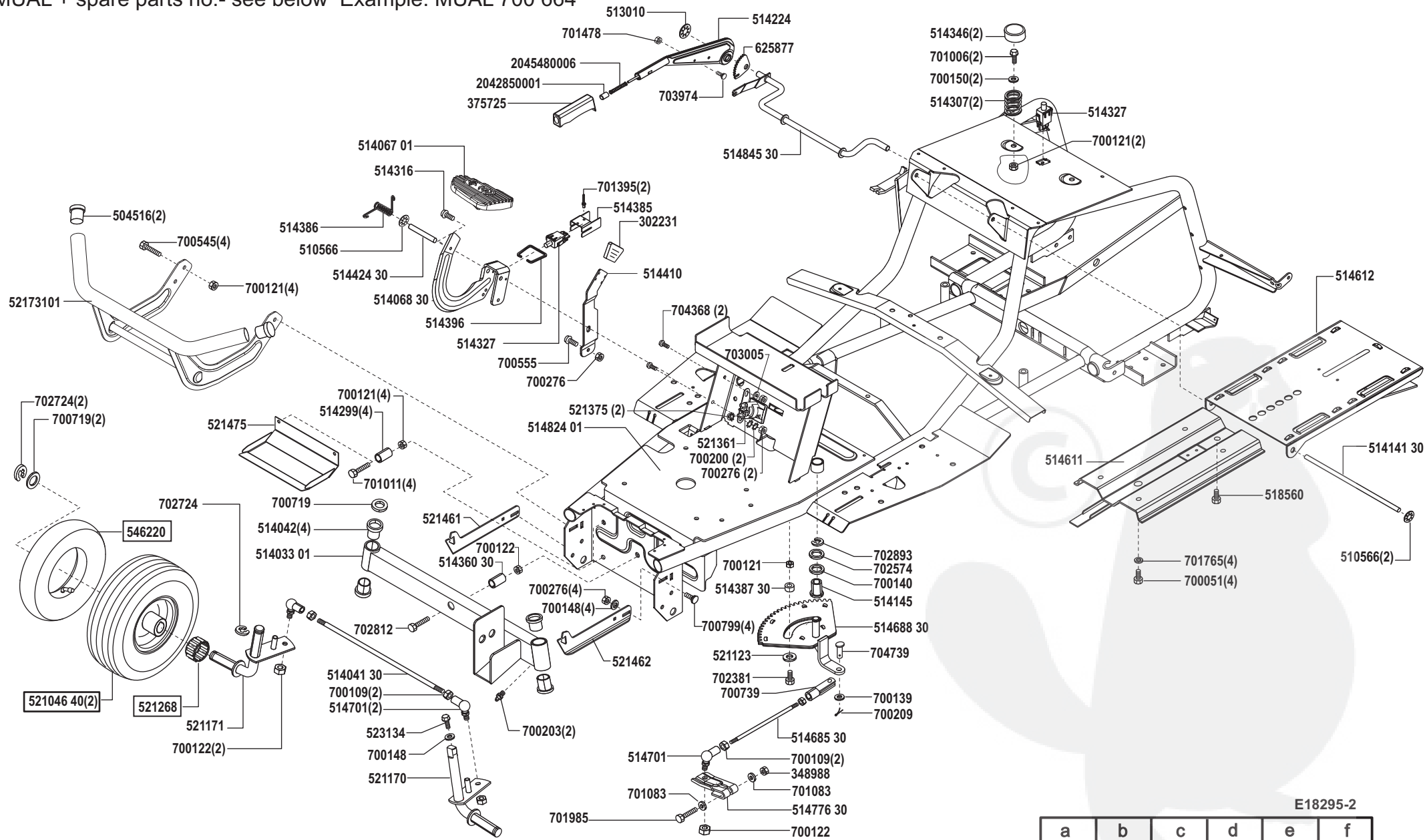
E18295-1

a	b	c	d	e	f
03/02	06/02				

# SENTINEL 135/102

Art. Nr. 118295

MUAL + spare parts no.- see below Example: MUAL 700 664



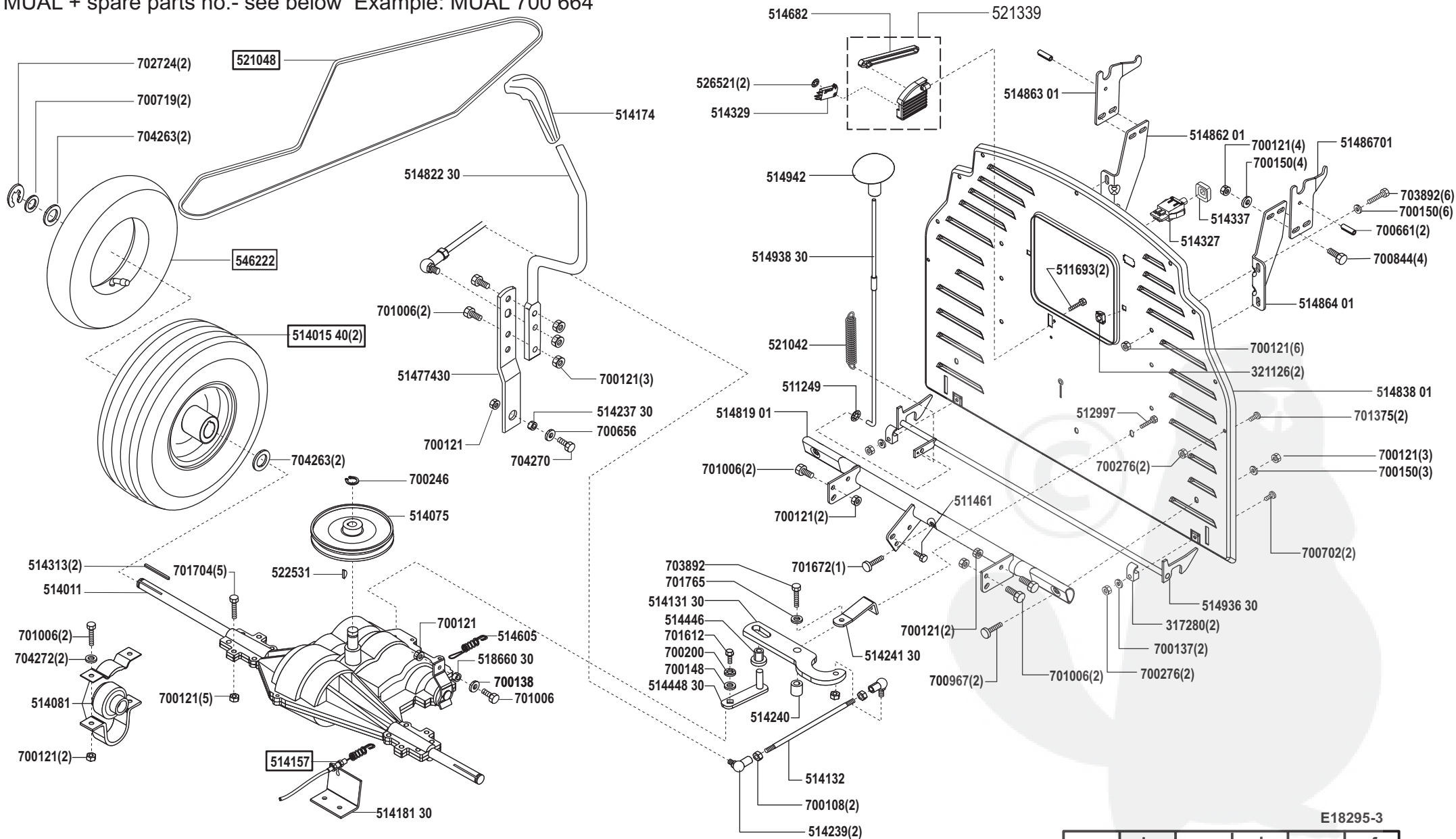
E18295-2

a	b	c	d	e	f
---	---	---	---	---	---

# SENTINEL 135/102

Art. Nr. 118295

MUAL + spare parts no.- see below Example: MUAL 700 664



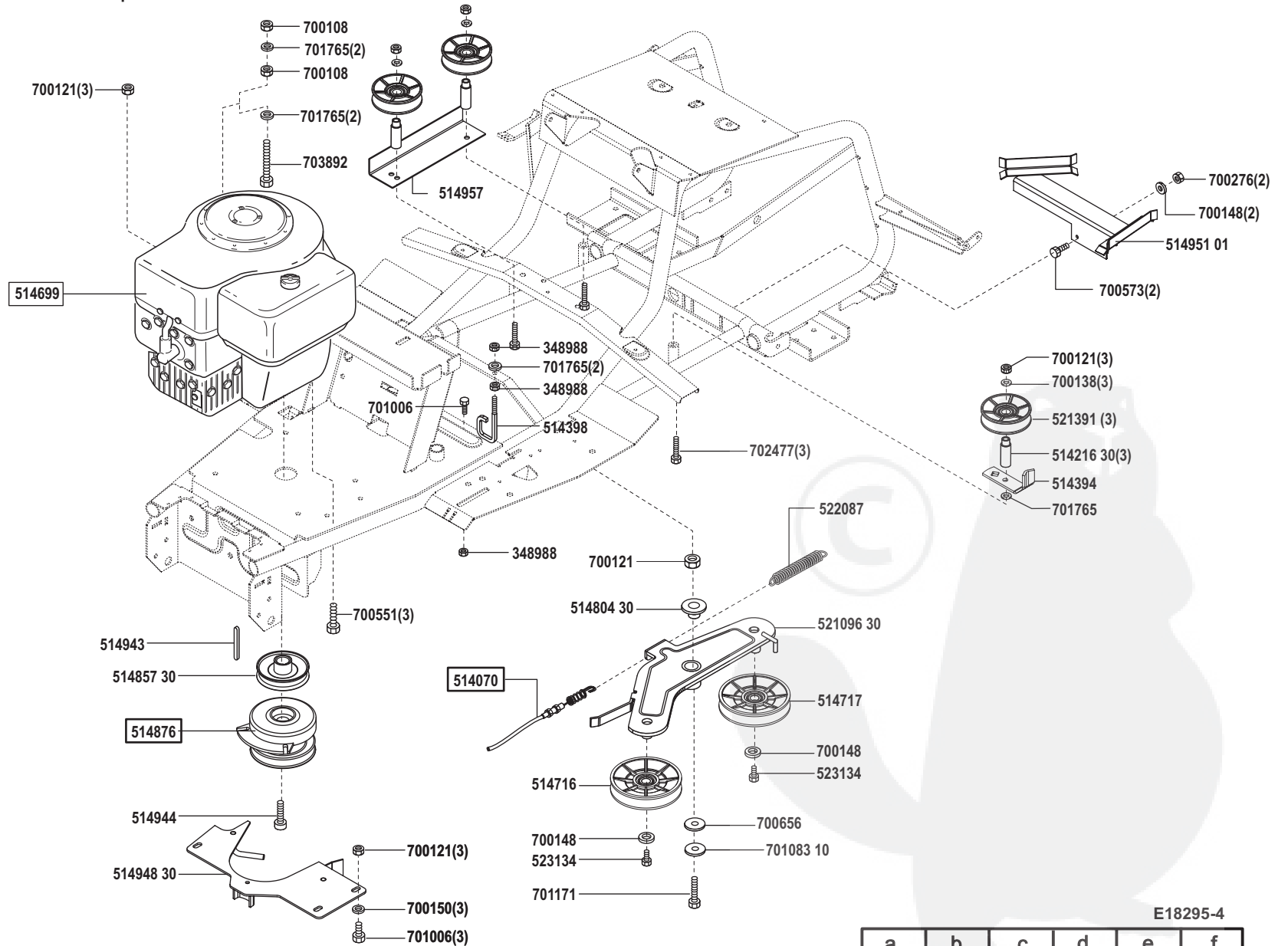
E18295-3

a	b	c	d	e	f
---	---	---	---	---	---

# SENTINEL 135/102

Art. Nr. 118295

MUAL + spare parts no.- see below Example: MUAL 700 664



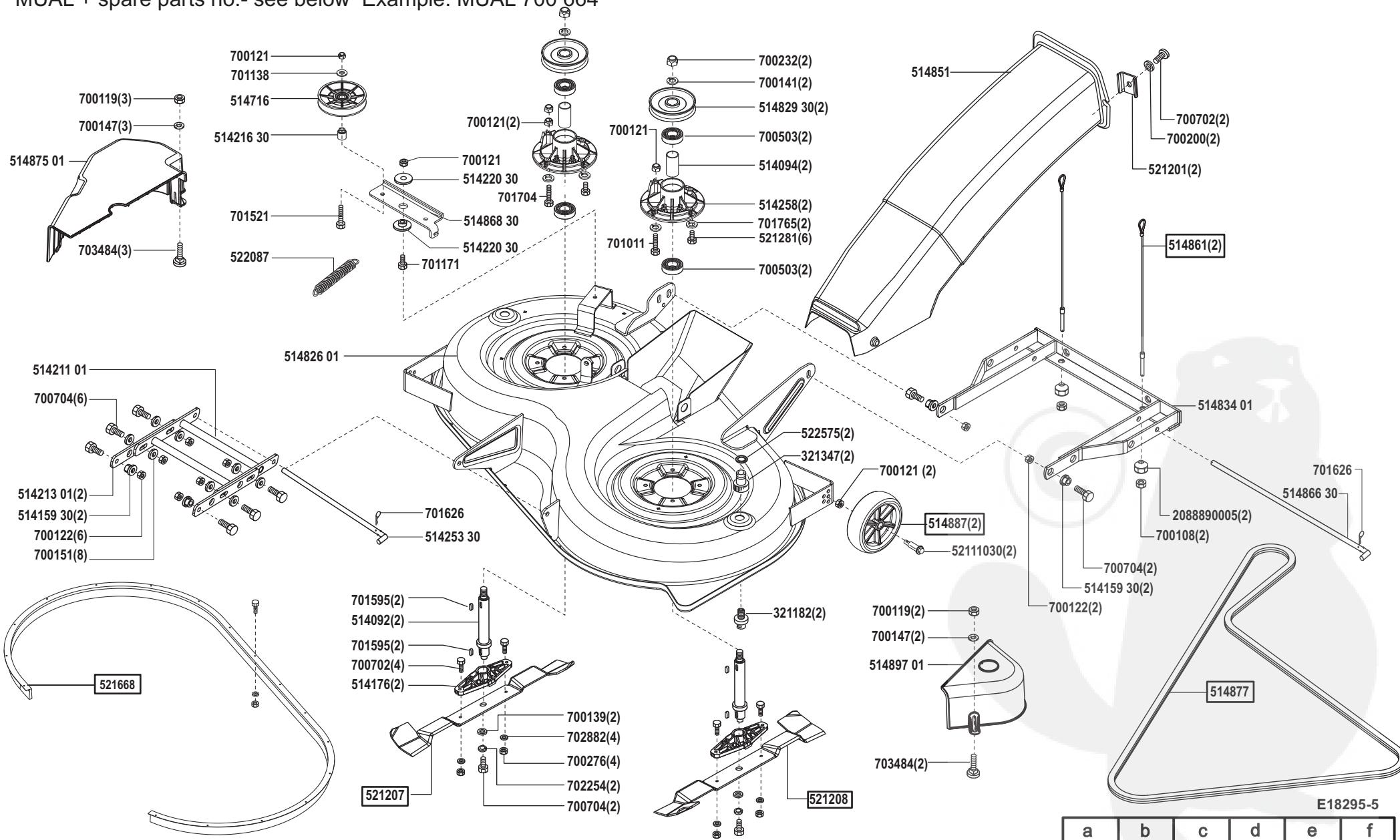
E18295-4

a	b	c	d	e	f
---	---	---	---	---	---

# SENTINEL 135/102

Art. Nr. 118295

MUAL + spare parts no.- see below Example: MUAL 700 664



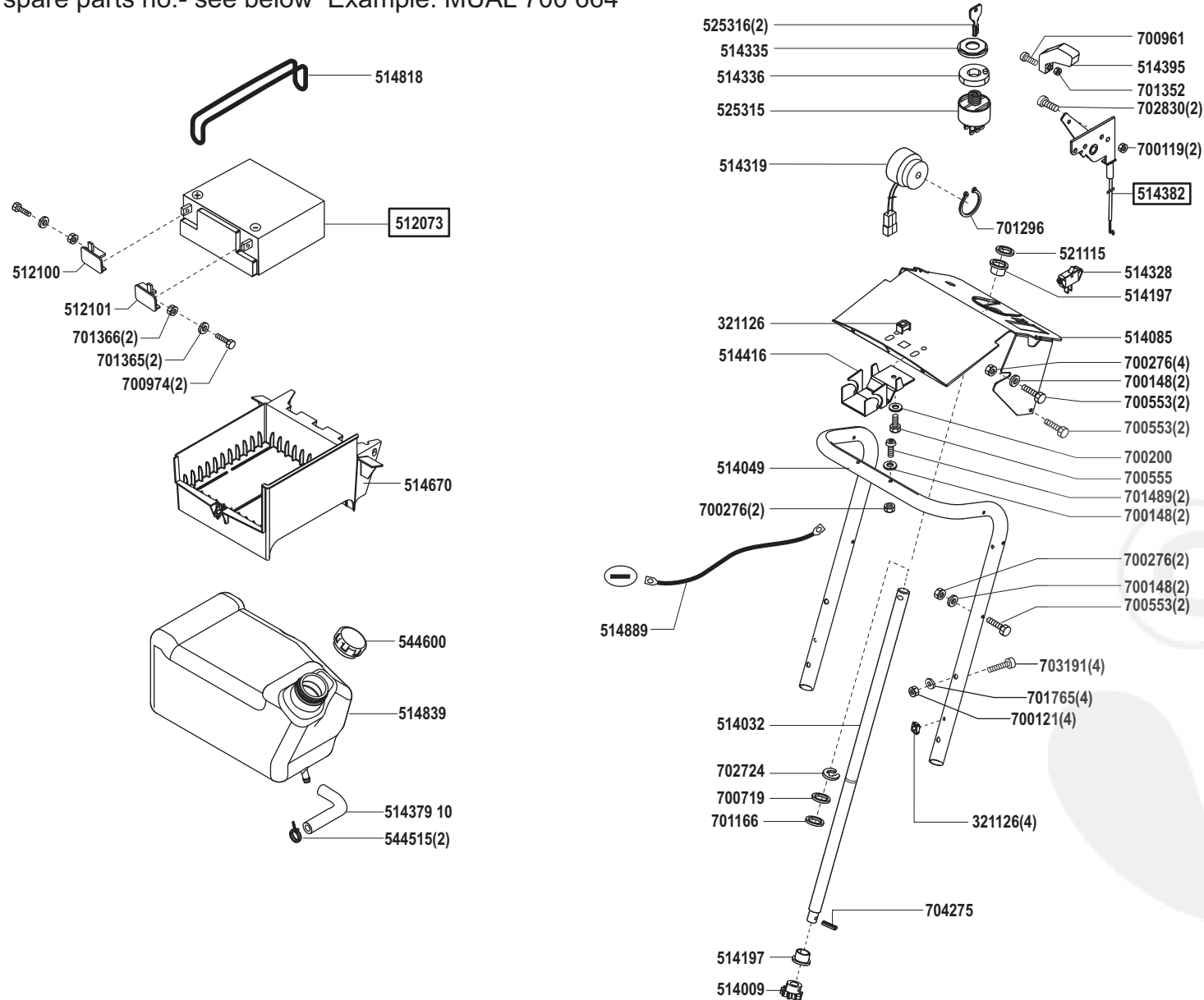
E18295-5

a	b	c	d	e	f
05/02					

# SENTINEL 135/102

Art. Nr. 118295

MUAL + spare parts no.- see below Example: MUAL 700 664



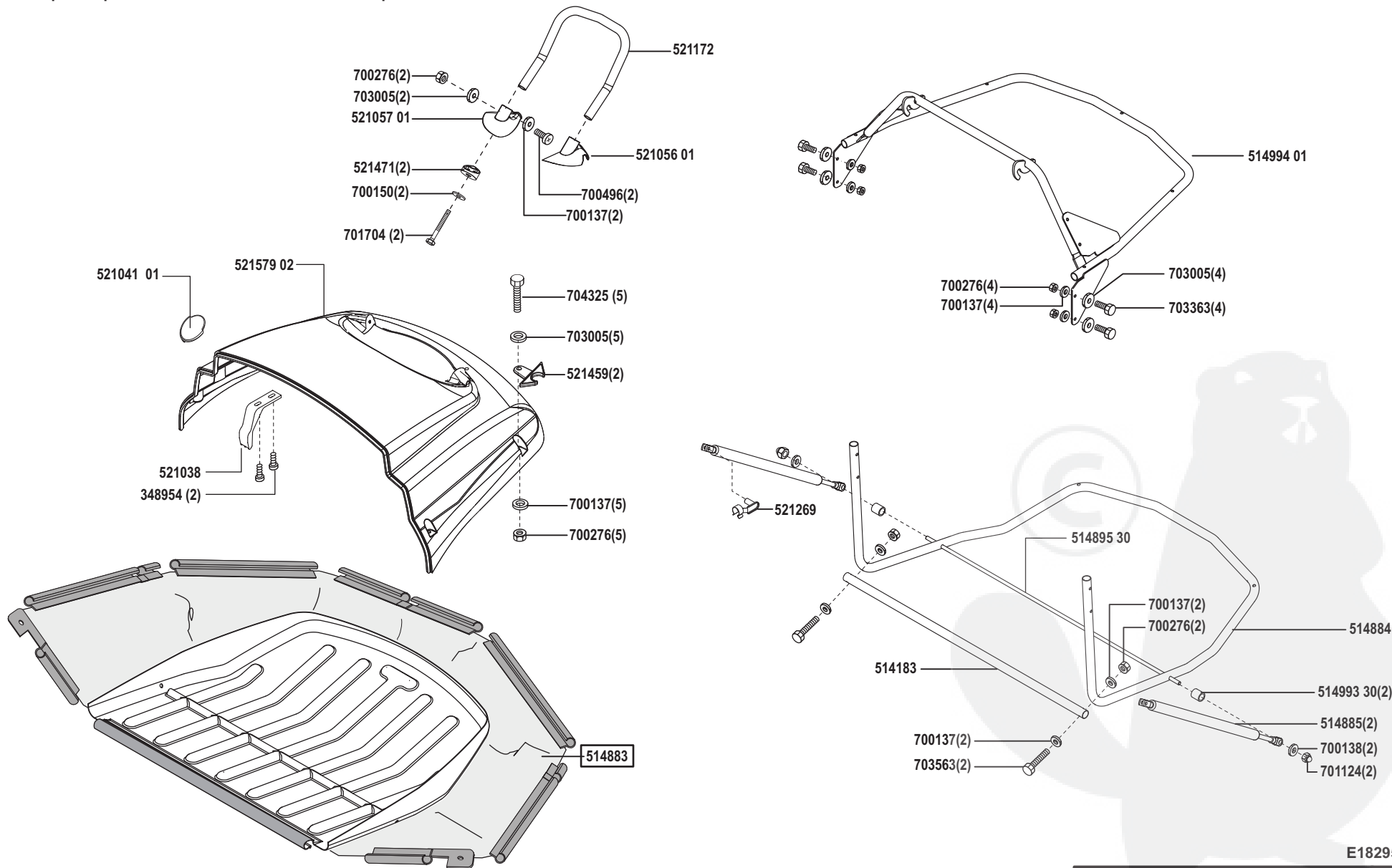
E18295-6

a	b	c	d	e	f
---	---	---	---	---	---

# SENTINEL 135/102

Art. Nr. 118295

MUAL + spare parts no.- see below Example: MUAL 700 664



E18295-7

a	b	c	d	e	f
---	---	---	---	---	---

# SENTINEL 135/102

Art. Nr. 118295

MUAL + spare parts no.- see below Example: MUAL 700 664

