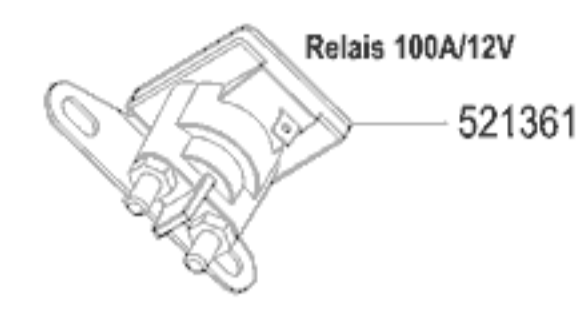
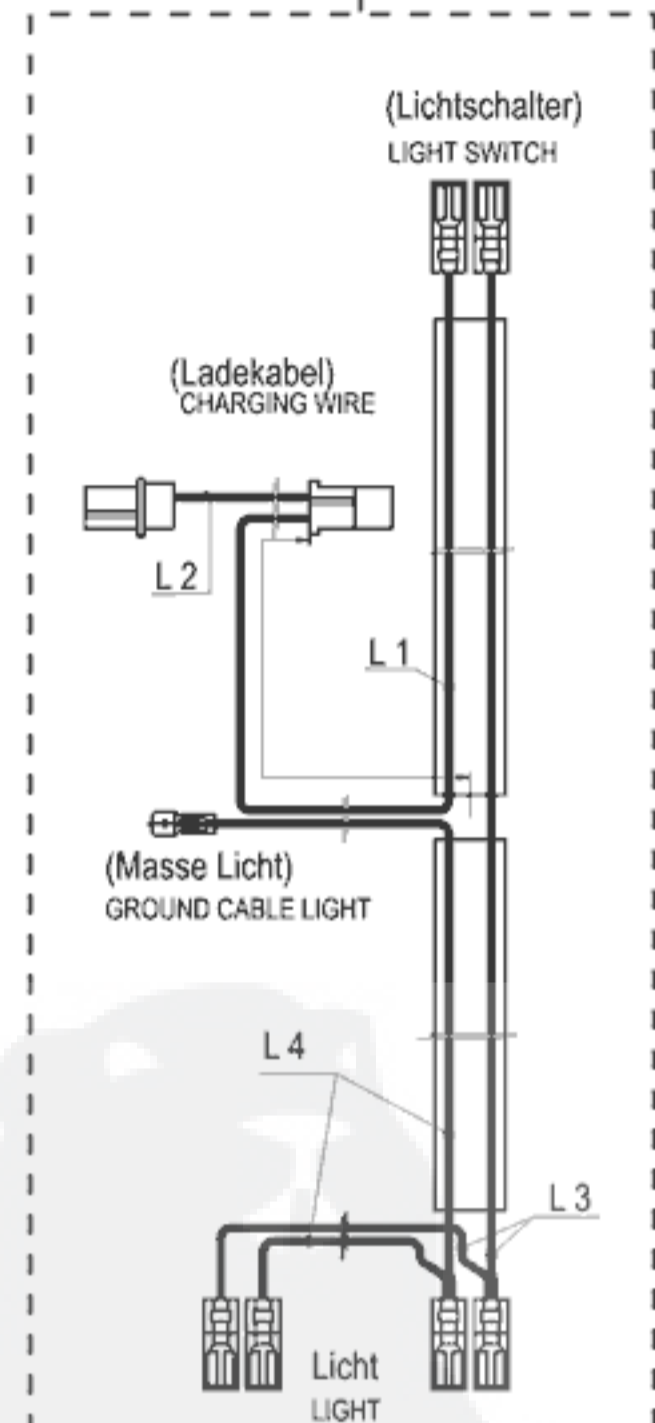


521362



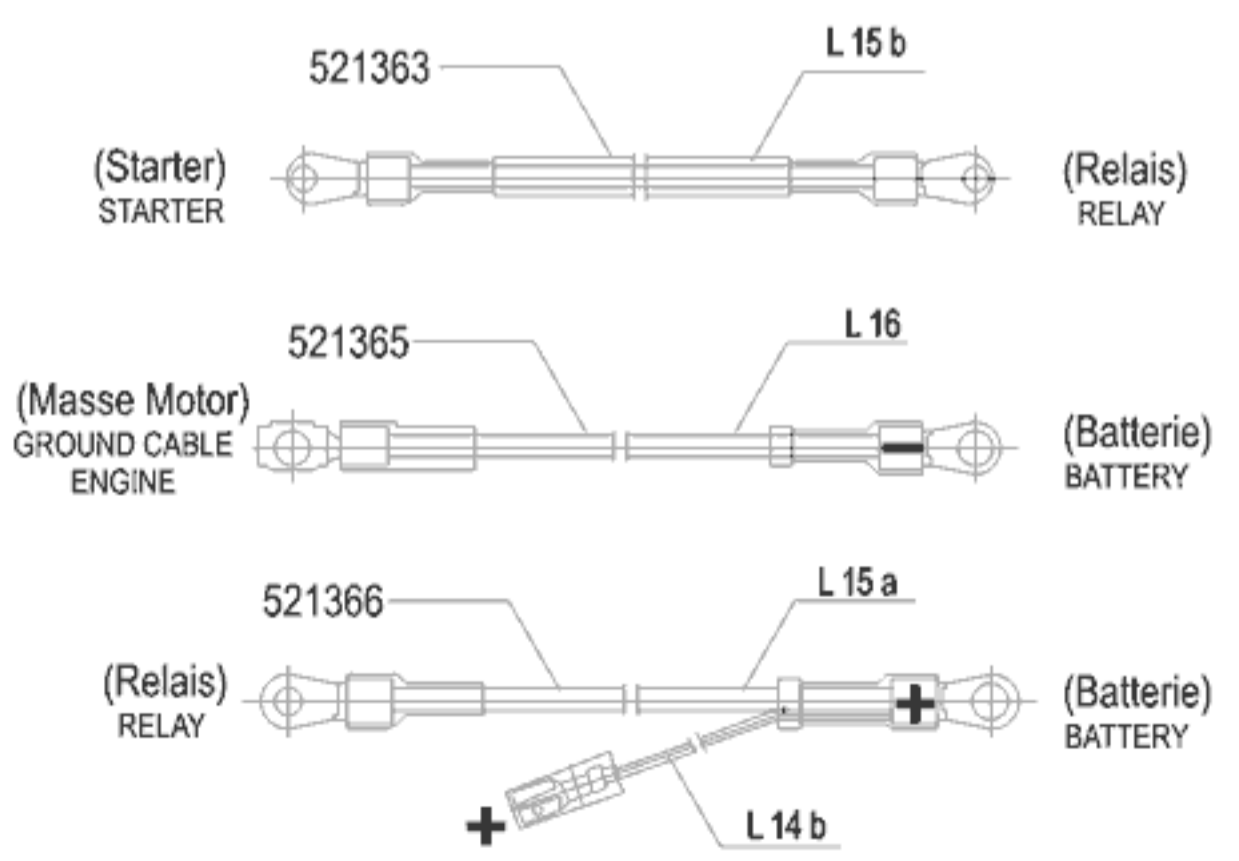
514246



Schaltplan Licht
CONNECTION DIAGRAM LIGHT

- L 1 = weiß white
- L 2 = rot red
- L 3 = braun brown
- L 4 = schwarz black

- L 1 = rosa pink
- L 2 = grau grey
- L 3 = weiß white
- L 4 = braun brown
- L 5 = grün green
- L 6 = schwarz black
- L 7 = rot red
- L 8 = violett violet
- L 9 = orange orange
- L 10 = gelb yellow
- L 11 = blau blue
- L 12 = rot/weiß red/white
- L 13 = weiß/blau white/blue
- L 14 a = rot red
- (L 14 b) = rot red
- (L 15 a) = rot red
- (L 15 b) = rot red
- (L 16) = blau blue



Schaltplan Traktor E-Start
CONNECTION DIAGRAM E-STARTER

